



SERVICE/PARTS MANUAL

MODELS: RH66SD, RH66PD, RH66PDB

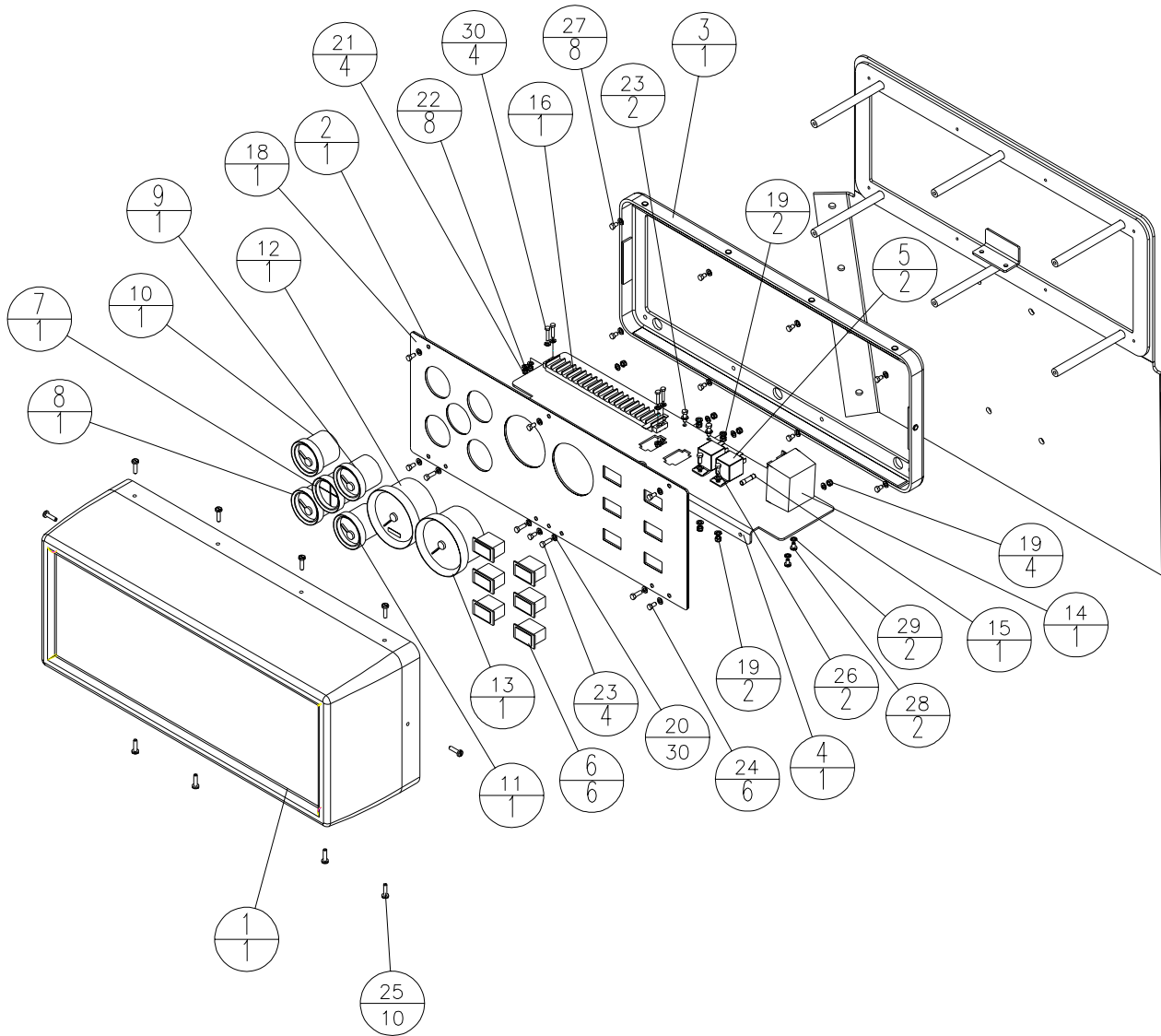


RHINO 66" MODEL SHOWN: PADFOOT

A 100% employee-owned American manufacturer

4. PARTS LIST

4.3 Instrumentation Box Assembly



4. PARTS LIST

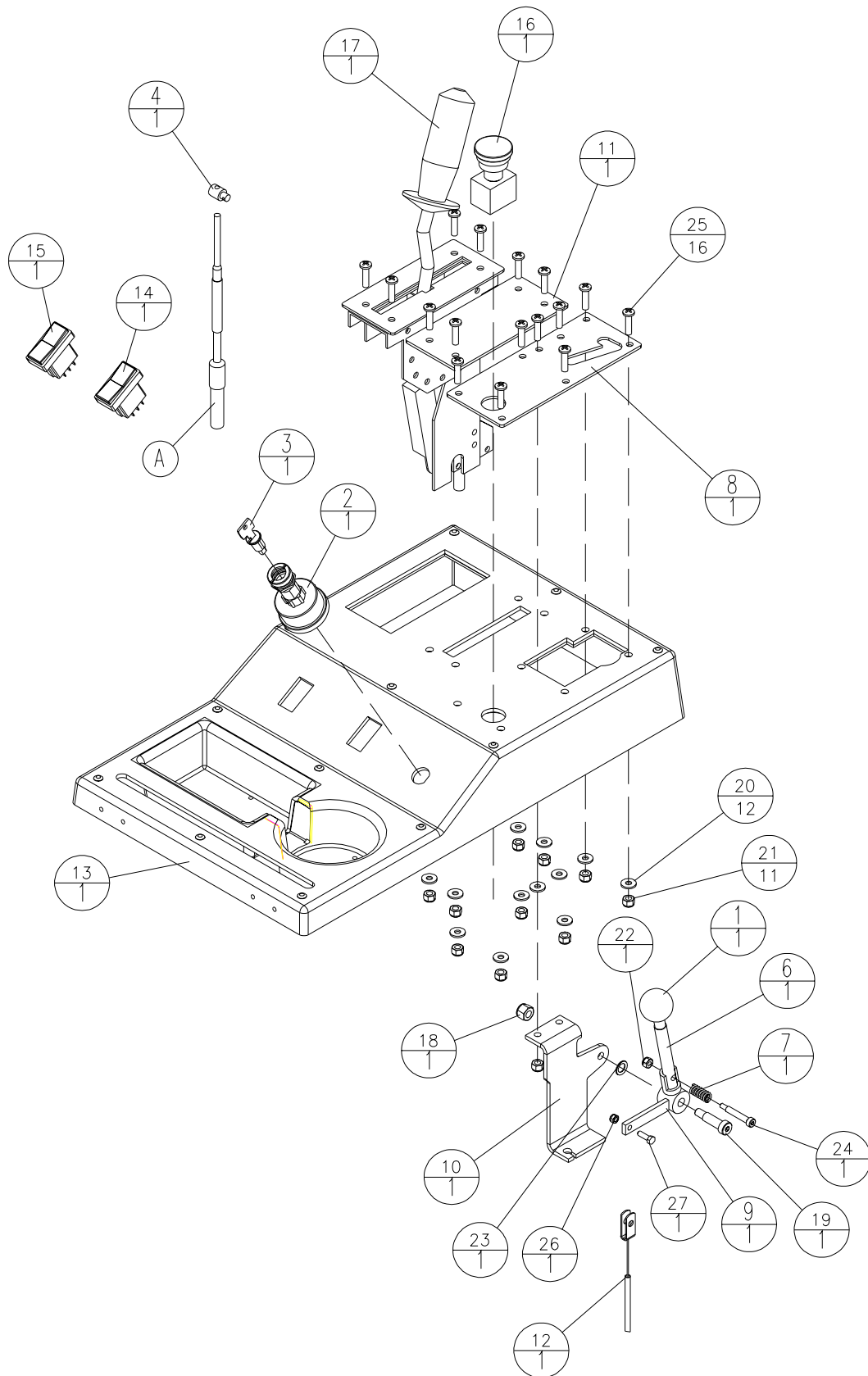
4.3 Instrumentation Box Assembly

ITEM	PART NO.	DESCRIPTION	QTY
1	44857	BOX ASM INSTRUMENT PLASTIC	1
2	44858-2	GRY PANEL INSTRUMENT	1
3	44866	BACK ASM BOX INSTRUMENT	1
4	44902-2	GRY PLATE MOUNTING RELAY	1
5	48378	RELAY	2
6	48393	LIGHT INDICATOR RED 14V	6
7	48427	GAGE TATTLETALE	1
8	48428	SWITCH GAGE VOLT	1
9	48429	SWITCH GAGE OIL	1
10	48430	SWITCH GAGE TEMPERATURE	1
11	48431	SWITCH GAGE FUEL	1
12	48432	TACH/HOUR METER	1
13	48433	TACH ECCENTRIC	1
14	48437	SWITCH TIMER	1
15	48464	FUSE 32V 14A	1
16	48465	BLOCK JUNCTION ELECT 20 TERM	1
17	48466	HARNESS ELECT. INST. BOX	1
18	55433	DECAL INSTRUMENT SD/PD66	1
19	80850	NUTNY M5-.8 ZN	8
20	80855	WSHR FLAT M5 X 10 ZN	30
21	80878	NUTNY M4-0.7 ZN	4
22	80880	WSHR FLAT M4 X 9 ZN	8
23	80889	HHCS M5-.8 X 16 8.8 ZN	6
24*	81016	HHCS M5-.8 X 10 8.8 ZN	6
25	81017	PHSMS M5-0.8 X 20 4.8 BLK ZN	10
26	81037	HHCS M5-1.25 X 12 8.8 ZN	2
27	81043	HHCS M5-.8 X 8 8.8 ZN	8
28	81045	PHSMS #10-24 X 5/16 GR 5 ZN	2
29	81046	WSHRLSI #10 ZN	2
30	81047	HHCS M4-.7 X 20 8.8 ZN	4

* Loctite

4. PARTS LIST

4.4 Controls Assembly - Without Blade



4. PARTS LIST

4.4 Controls Assembly - Without Blade

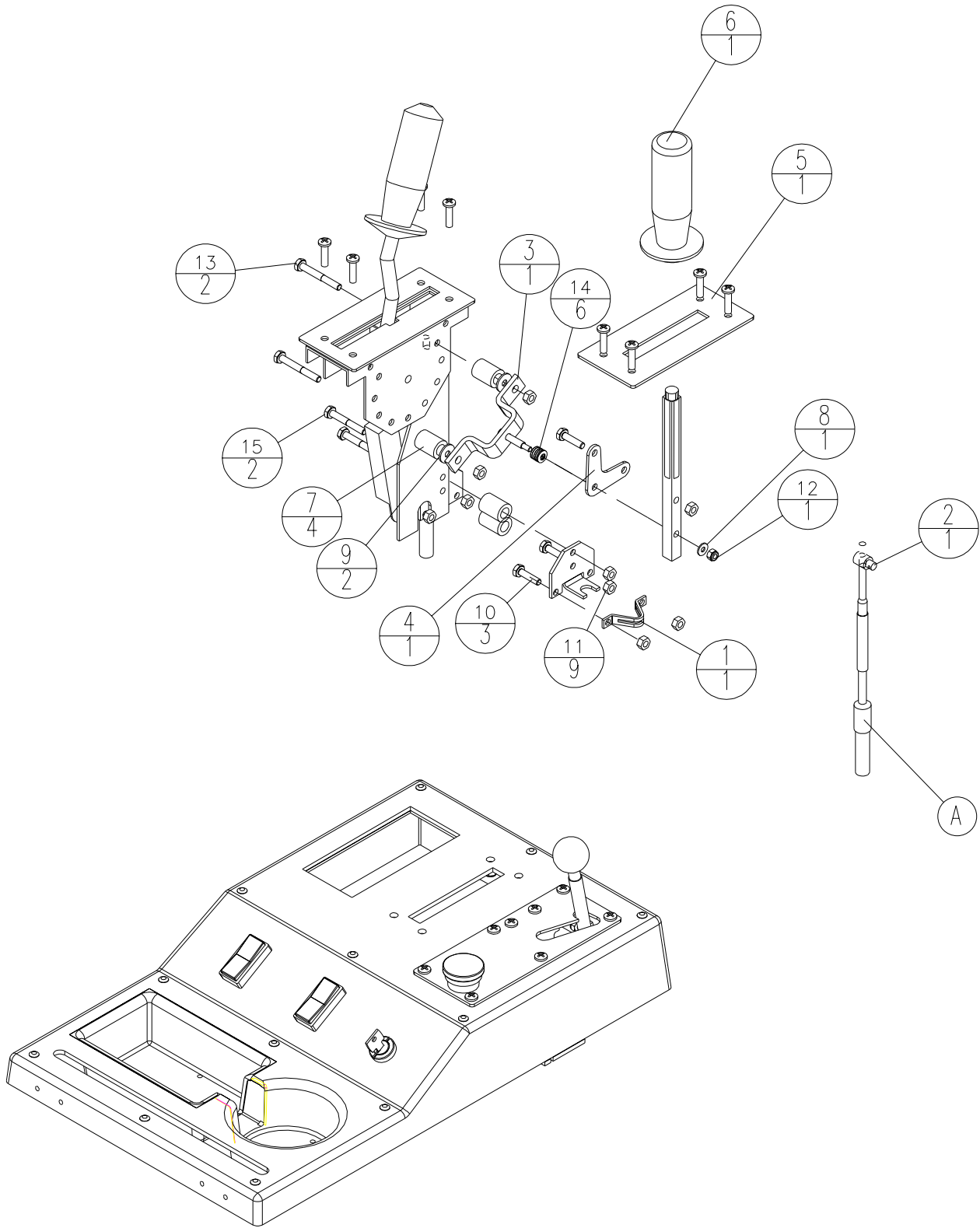
ITEM	PART NO.	DESCRIPTION	QTY
1	27363	KNOB DTNA CLUTCH	1
2	31290	SWITCH IGNITION	1
3	31291	KIT KEY W/LOCK	1
4	38817	SWIVEL 1/4-20 X 5/16 DIA	1
5	39321	SWITCH NEUTRAL/BACKUP	1
6	42919	LEVER THROTTLE	1
7	42961	SPRING COMP. .417 OD X 9.50 FL	1
8	44661-2	BLK PLATE THROTTLE	1
9	44675-2	GRY PIVOT WELD THROTTLE	1
10	44782-2	GRY BRKT THROTTLE	1
11	44798-2	BLK COVER CONTROL NO-BLADE	1
12	44804	CABLE ASSY THROTTLE	1
13	44876	COVER ASM BOX CONTROL	1
14	48439	SWITCH ROCKER 3 POS.	1
15	48440	SWITCH ROCKER 2 POS.	1
16	48452	SWITCH E-STOP	1
17	48476	KIT FWD/REV CONTROL	1
18	80114	NUTNY 5/16-18 ZN	1
19*	80124	SHSHB 3/8 X 1 BLK	1
20	80571	WSHR 1/4 SAE ZN	12
21	80676	NUTNY 1/4-20 ZN	11
22	80693	NUTNY 10-24 ZN	1
23	80755	WSHR BELLEVILLE 3/8	1
24*	80756	SHSHB 1/4 X 1 1/4 BLK	1
25*	80791	PPHMS 1/4-20 X 1 BLK ZN	16
26	80850	NUTNY M5-.8 ZN	1
27	80889	HHCS M5-.8 X 16 8.8 ZN	1

A	44853	CABLE FWD/RVS 1/4-28 X 168 IN	1
---	-------	-------------------------------	---

* Loctite

4. PARTS LIST

4.5 Controls Assembly - With Blade



4. PARTS LIST

4.5 Controls Assembly - With Blade

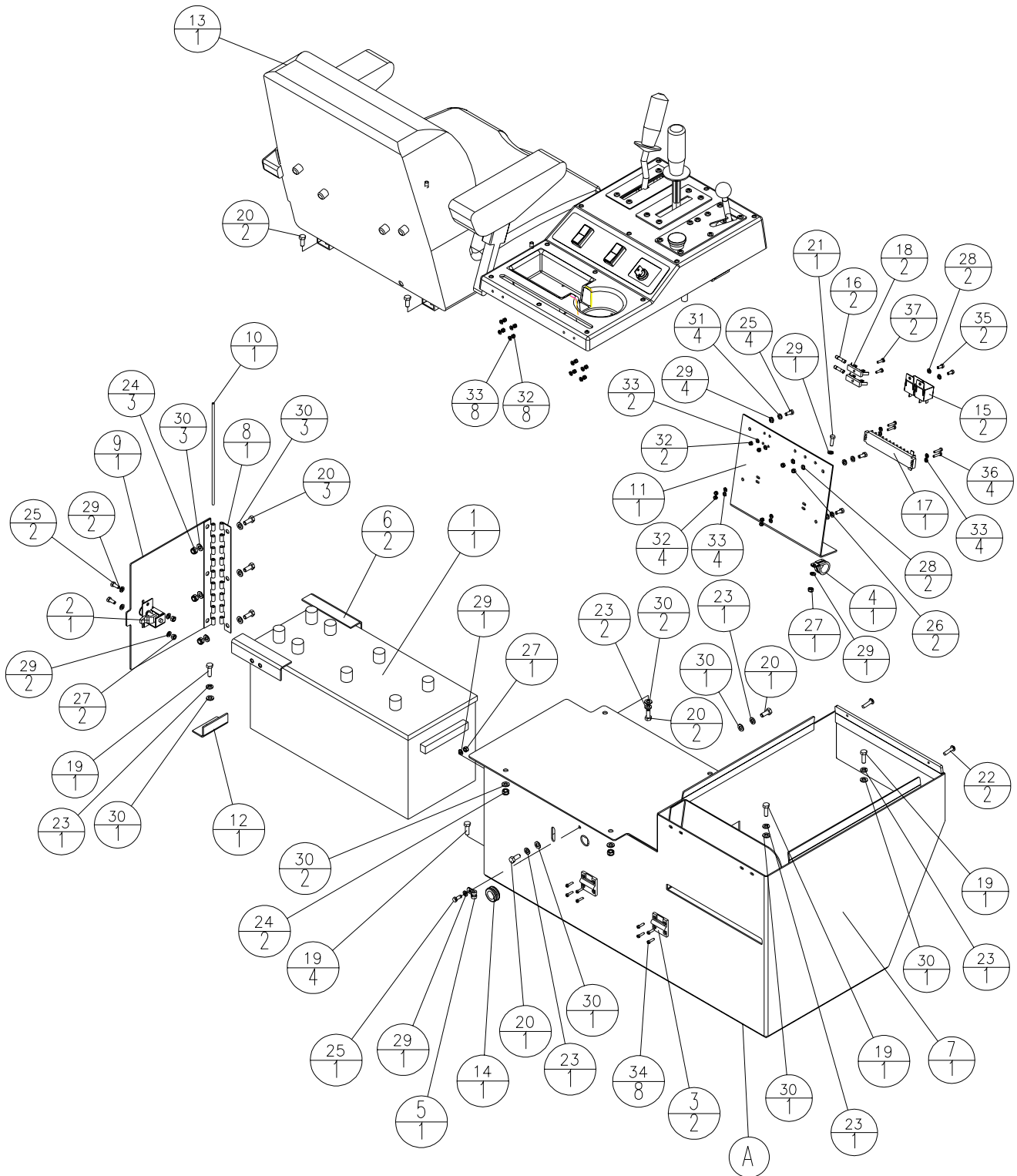
ITEM	PART NO.	DESCRIPTION	QTY
1	38816	ASM CABLE CLAMP	1
2	38817	SWIVEL 1/4-20 X 5/16 DIA	1
3	43260-2	YEL BRACKET WELD PIVOT	1
4	43262-2	YEL PIVOT BLADE	1
5	44651	COVER CONTROL BLADE	1
6	44896	LEVER ASM BLADE	1
7	44899-2	YEL SPACER PIVOT BLADE	4
8	80346	WSHR SAE #10	1
9	80347	WSHR WROT 1/4 ZN	2
10*	80354	HHCS 1/4-20 X 1 GR5 ZN	3
11	80518	NUTFL 1/4-20 ZN	9
12	80693	NUTNY 10-24 ZN	1
13*	80709	HHCS 1/4-20 X 2 GR8 ZN	2
14	80788	WSHR SPRING 1/4 ID	6
15*	81051	HHCS 1/4-20 x 1 3/4 GR5 ZN	2

A	44978	CABLE ASSEMBLY BLADE	1
---	-------	----------------------	---

* Loctite

4. PARTS LIST

4.6 Controls / Seat / Battery Assembly



4. PARTS LIST

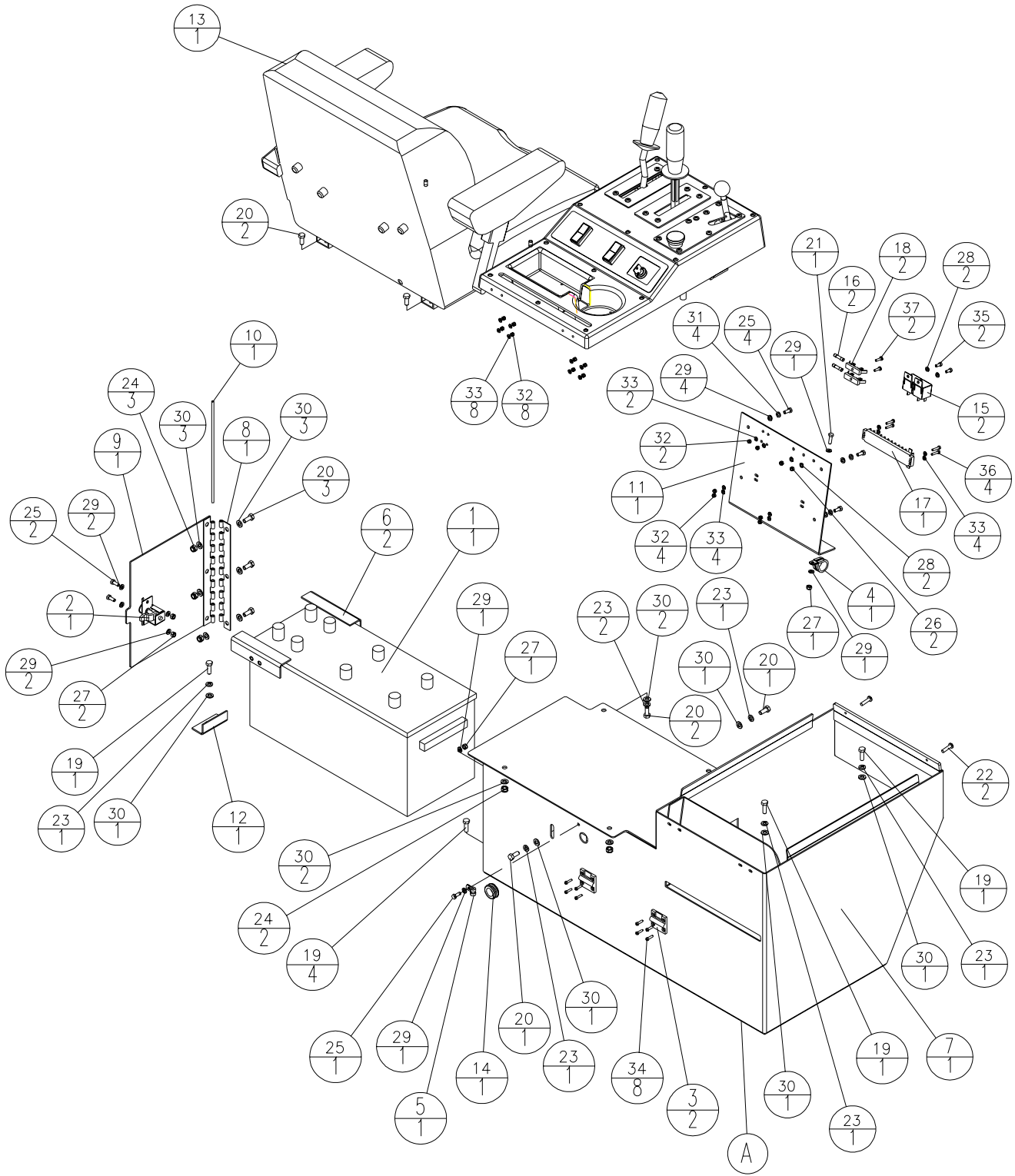
4.6 Controls / Seat / Battery Assembly

ITEM	PART NO.	DESCRIPTION	QTY
1	36424	BATTERY 4D 12V 810 CCA	1
2	36610	LATCH DOOR ADJUSTABLE	1
3	36611	HINGE COVER CONTROL	2
4	36617	CLAMP 1" RUBBER LOOP	1
5	39200	CLAMP 1/4 RUBBER LOOP	1
6	44687-2	YEL BRKT HOLD-DOWN BATTERY	2
7	44875-2	YEL BOX WELD CONTROL	1
8	44890-2	YEL HINGE 1.0 LEAF X 11.25	1
9	44893-2	YEL DOOR WELD BATTERY	1
10	44895	PIN BRASS 3/16 X 10.75	1
11	44919-2	GRY PLATE RELAY CONTROL	1
12	44949-2	YEL BRACKET BATTERY	1
13	44989	SEAT ASM WITH CONNECTOR	1
14	47257	GROMMET .69 ID X 1.00 GD	1
15	48401	RELAY 70A	2
16	48468	FUSE 15A	2
17	48469	BLOCK JUNCTION ELECT 12 TERM	1
18	48470	BLOCK FUSE	2
19*	80087	HHCS M8-1.25 X 25 8.8 ZN	7
20*	80406	HHCS M8-1.25 X 20 8.8 ZN	9
21*	80758	HHCS M6-1 X 20 8.8 ZN	1
22	80791	PPHMS 1/4-20 X 1 BLK ZN	2
23	80812	WSHRL M8 SPLIT ZN	7
24	80817	NUTNY M8-1.25 ZN	5
25*	80836	HHCS M6-1 X 16 8.8 ZN	7

* Loctite

4. PARTS LIST

4.6 Controls / Seat / Battery Assembly Cont'd.



4. PARTS LIST

4.6 Controls / Seat / Battery Assembly Cont'd.

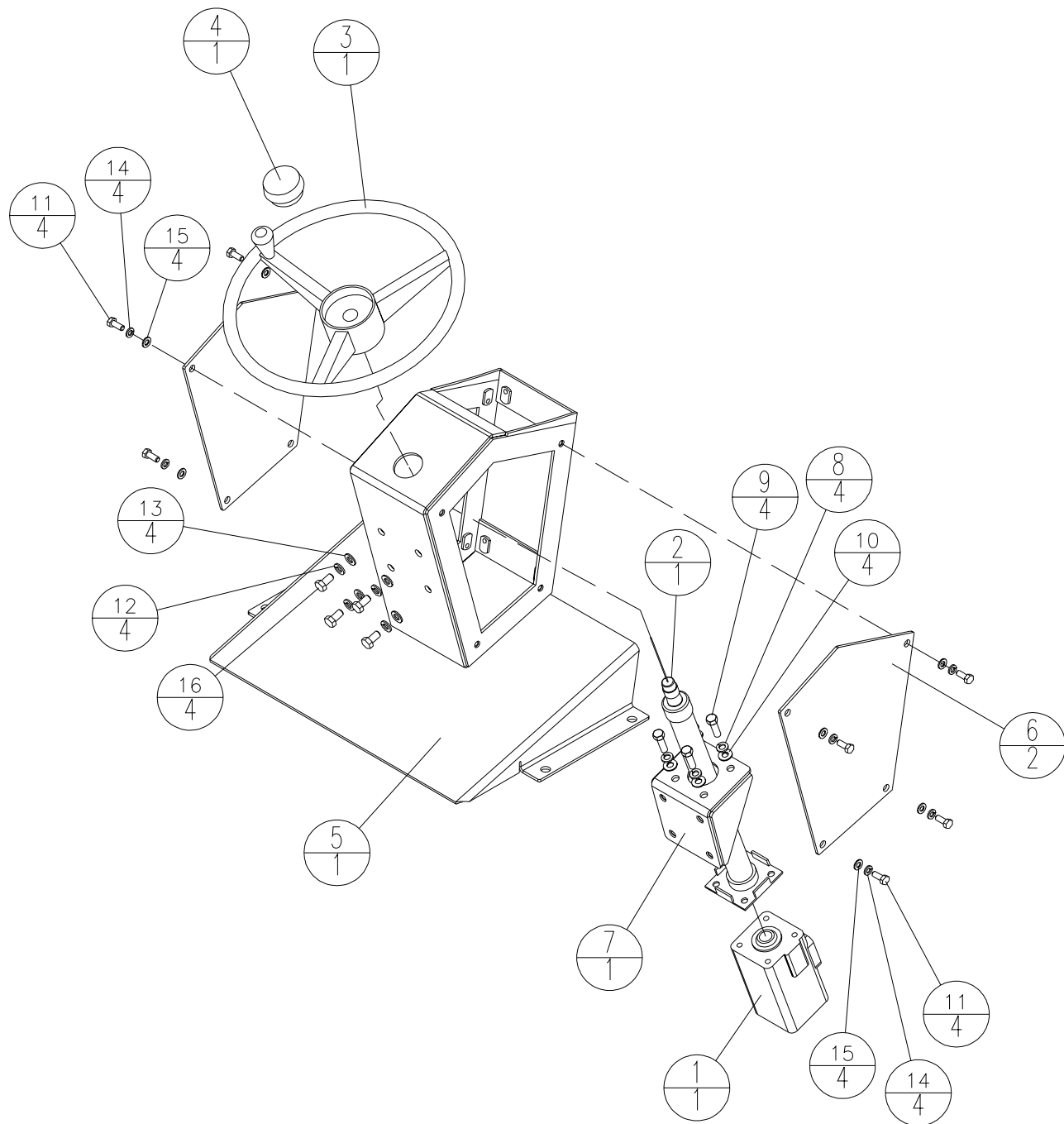
26	80850	NUTNY M5-.8 ZN	2
27	80851	NUTNY M6-1 ZN	4
28	80855	WSHR FLAT M5 X 10 ZN	4
29	80856	WSHR FLAT M6 X 12 ZN	12
30	80857	WSHR FLAT M8 X 16 ZN	15
31	80860	WSHRL M6 SPLIT ZN	4
32	80878	NUTNY M4-0.7 ZN	14
33	80880	WSHR FLAT M4 X 9 ZN	18
34	80926	MSCS M4-.7 X 16 4.8 ZN	8
35	81037	HHCS M5-1.25 X 12 8.8 ZN	2
36	81047	HHCS M4-.7 X 20 8.8 ZN	4
37	81048	PHSMS M4-.7 X 16 4.8 ZN	2

A	44979	TRIM AIRDUCT 7.50" LG	1
---	-------	-----------------------	---

* Loctite

4. PARTS LIST

4.7 Steering Unit Assembly



4. PARTS LIST

4.7 Steering Unit Assembly

ITEM	PART NO.	DESCRIPTION	QTY
1	36548	CONTROL STEERING 261-1470-002	1
2	36549	COLUMN STEERING 204-1250-006	1
3	36550	WHEEL STEERING	1
4	36578	BUTTON HORN UNI-POLAR	1
5	44532-2	YEL FRAME WELD STEERING	1
6	44533-2	YEL COVER STEERING	2
7	44915-2	YEL MOUNT WELD STEERING	1
8	80058	WSHRL 3/8 MED SPLIT ZN	4
9*	80088	HHCS 3/8-16 X 1.25 GR 8	4
10	80342	WSHR SAE 3/8 ZN	4
11*	80406	HHCS M8-1.25 X 20 8.8 ZN	8
12	80804	WSHRL M10 SPLIT ZN	4
13	80806	WSHR FLAT M10 X 20 ZN	4
14	80812	WSHRL M8 SPLIT ZN	8
15	80857	WSHR FLAT M8 X 16 ZN	8
16*	80886	HHCS M10-1.5 X 20 8.8 ZN	4

* Loctite

4. PARTS LIST

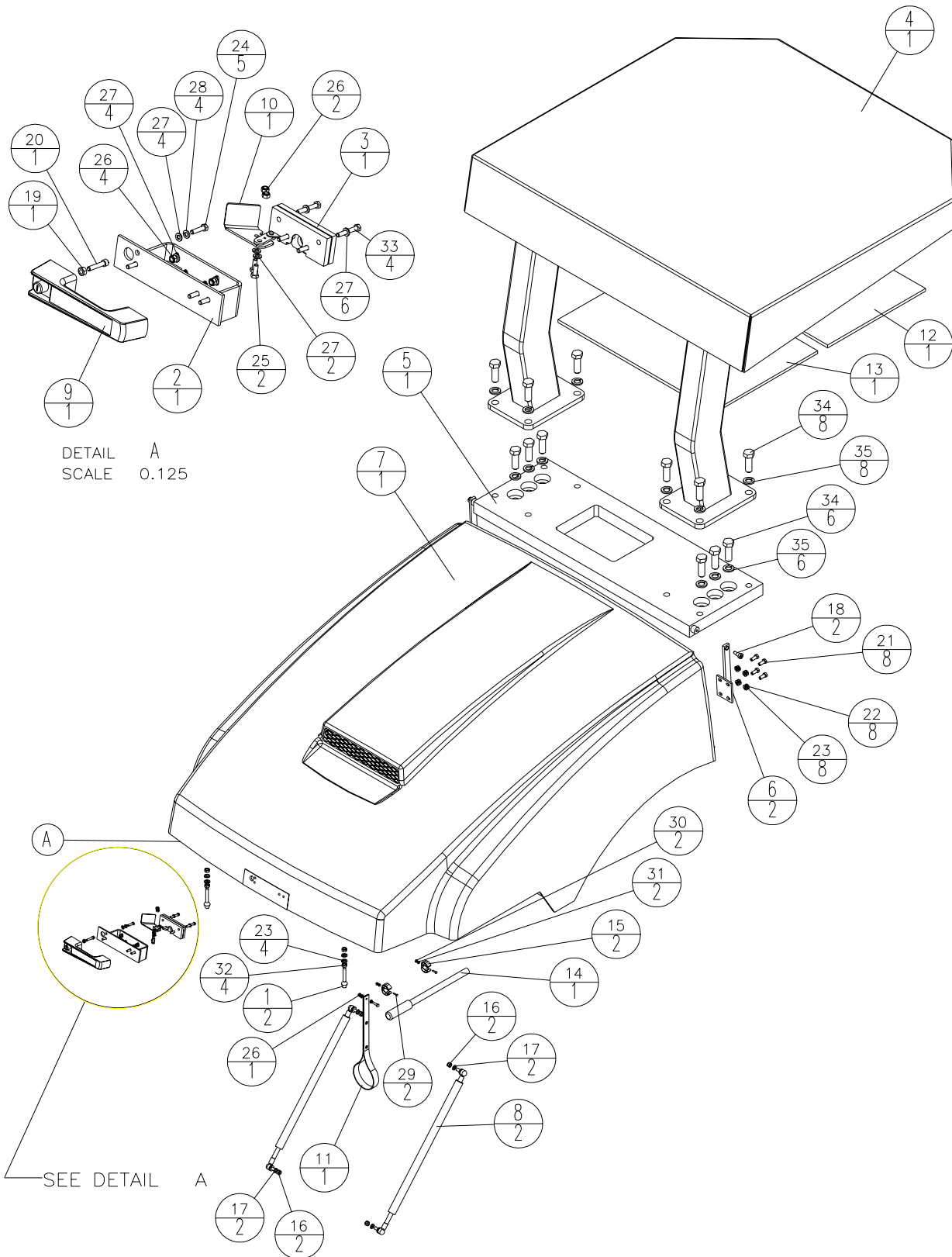
4.8 Operator Floor Assembly

ITEM	PART NO.	DESCRIPTION	QTY
1	38667	HORN 12V 125 dB	1
2	43674	SKID TREAD 6 X 12	6
3	44473-2	YEL FLOOR WELD	1
4	44655-2	GRY RAIL WELD RH	1
5	44660-2	GRY RAIL WELD LH	1
6	44714	COVER ROPS FIBERGLASS PD/SD66	1
7	44767	BACKER GASKET ROPS	2
8	44769-2	GRY COVER CAP RADIATOR	1
9	44778-2	GRY RAIL WELD GRAB	1
10	44779	GASKET COVER RADIATOR	1
11	44806	GASKET ROPS 10.15	4
12	44807-2	GRY BACKER GASKET ROPS	2
13	44808	GASKET ROPS 7.81	4
14	44870-2	YEL PANEL WELD FRONT	1
15	44920-2	GRY WELD STAIR TOP	1
16	47233	SKID TREAD 6 X 24	1
17	80087	HHCS M8-1.25 X 25 8.8 ZN	28
18	80804	WSHRL M10 SPLIT ZN	9
19	80805	WSHRL M12 SPLIT ZN	4
20	80807	WSHR FLAT M12 X 24 ZN	8
21 *	80811	HHCS M6-1 X 25 8.8 ZN	6
22	80812	WSHRL M8 SPLIT ZN	19
23 *	80815	HHCS M10-1.5 X 30 8.8 ZN	9
24	80817	NUTNY M8-1.25 ZN	9
25	80830	NUTNY M12-1.75 ZN	2
26	80836	HHCS M6-1 X 16 8.8 ZN	12
27 *	80843	HHCS M12-1.75 X 30 8.8 ZN	6
28	80856	WSHR FLAT M6 X 12 ZN	20
29	80857	WSHR FLAT M8 X 16 ZN	37
30	80860	WSHRL M6 SPLIT ZN	18
31	81042	WSHR FLAT M10 X 30 ZN	9
32	81052	WNGSC M6-1 X 16 ZN	2

* Loctite

4. PARTS LIST

4.9 Hood / ROPS Assembly



4. PARTS LIST

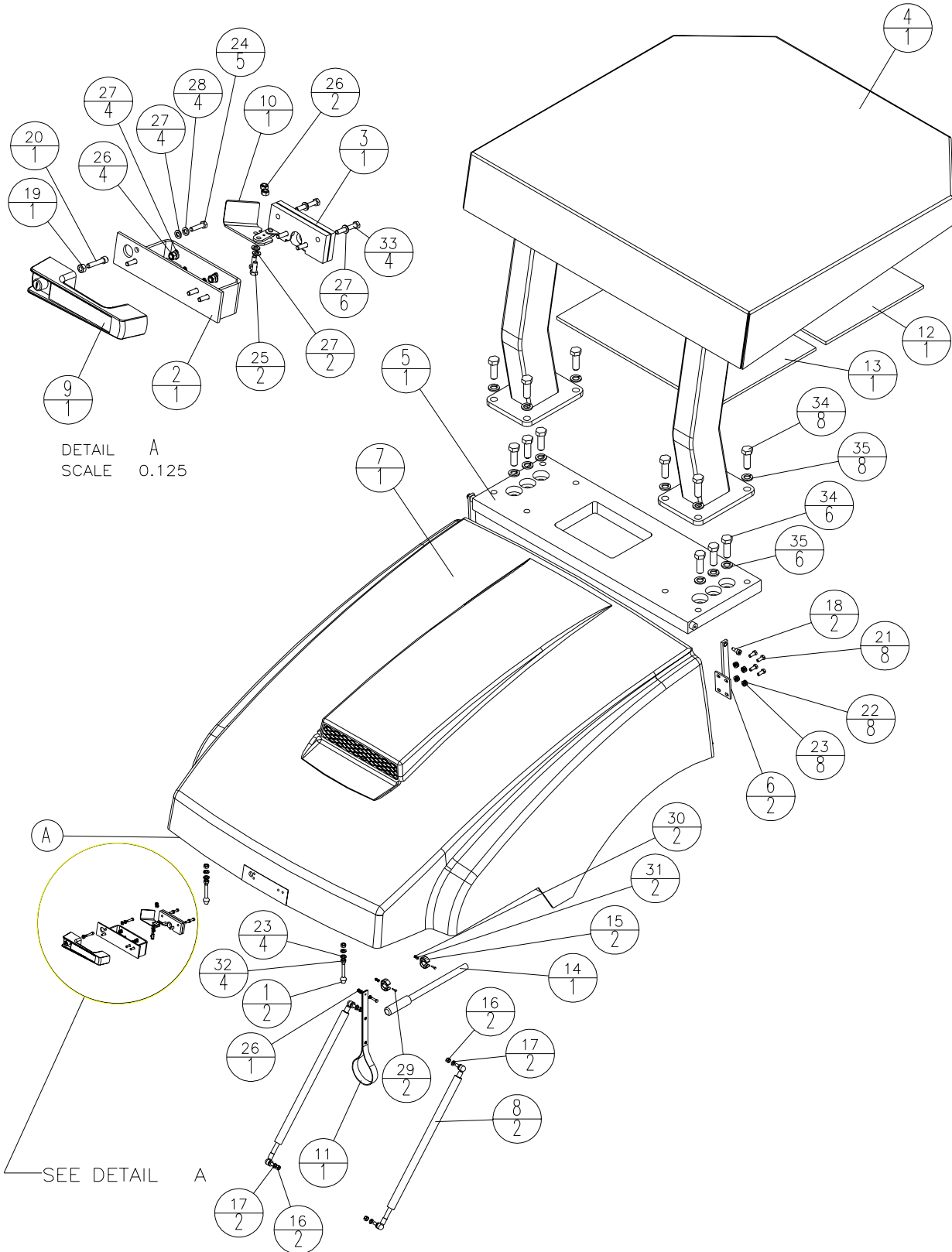
4.9 Hood / ROPS Assembly

ITEM	PART NO.	DESCRIPTION	QTY
1	36551	BUMPER THR'D STUD RUBBER	2
2	36598-2	GRY WELD LOCK MTG BRKT	1
3	36599	LOCK ROTARY RH	1
4	44569-2	GRY ROPS/FOPS SD/PD66	1
5	44578-2	GRY BRACE ROPS WELD	1
6	44581-2	GRY HINGE HOOD WELD	2
7	44711	HOOD ENGINE FIBERGLASS PD/SD66	1
8	44712	SPRING GAS	2
9	44761	HANDLE PUSH BUTTON LOCKABLE	1
10	44766-2	GRY BRKT TRIGGER LOCK	1
11	44954	ASM STRAP PULL HOOD	1
12	44955	SOUNDFOAM 1/2 X 20 X 30	1
13	44956	SOUNDFOAM 1/2 X 21 X 32	1
14	44964	HANDLE BRAKE RELEASE	1
15	44965	CLIP GRIPPER 3/4-1 1/8 ZN	2
16	80056	NUTNY 3/8-16 ZN	4
17	80058	WSHRL 3/8 MED SPLIT ZN	4
18*	80066	SHSHB 1/2 X 1/2 BLK	2
19	80235	NUTFL 1/4-20 ZN	1
20	80274	SHCS 1/4-20 X 1 1/4 BLK	1
21*	80618	HHCS M10 -1.25 X 25 8.8 ZN	8
22	80804	WSHRL M10 SPLIT ZN	8
23	80806	WSHR FLAT M10 X 20 ZN	12
24*	80811	HHCS M6-1 X 25 8.8 ZN	5
25	80836	HHCS M6-1 X 16 8.8 ZN	2
26	80851	NUTNY M6-1 ZN	7
27	80856	WSHR FLAT M6 X 12 ZN	16
28	80860	WSHRL M6 SPLIT ZN	4

* Loctite

4. PARTS LIST

4.9 Hood / ROPS Assembly Cont'd.



4. PARTS LIST

4.9 Hood / ROPS Assembly Cont'd.

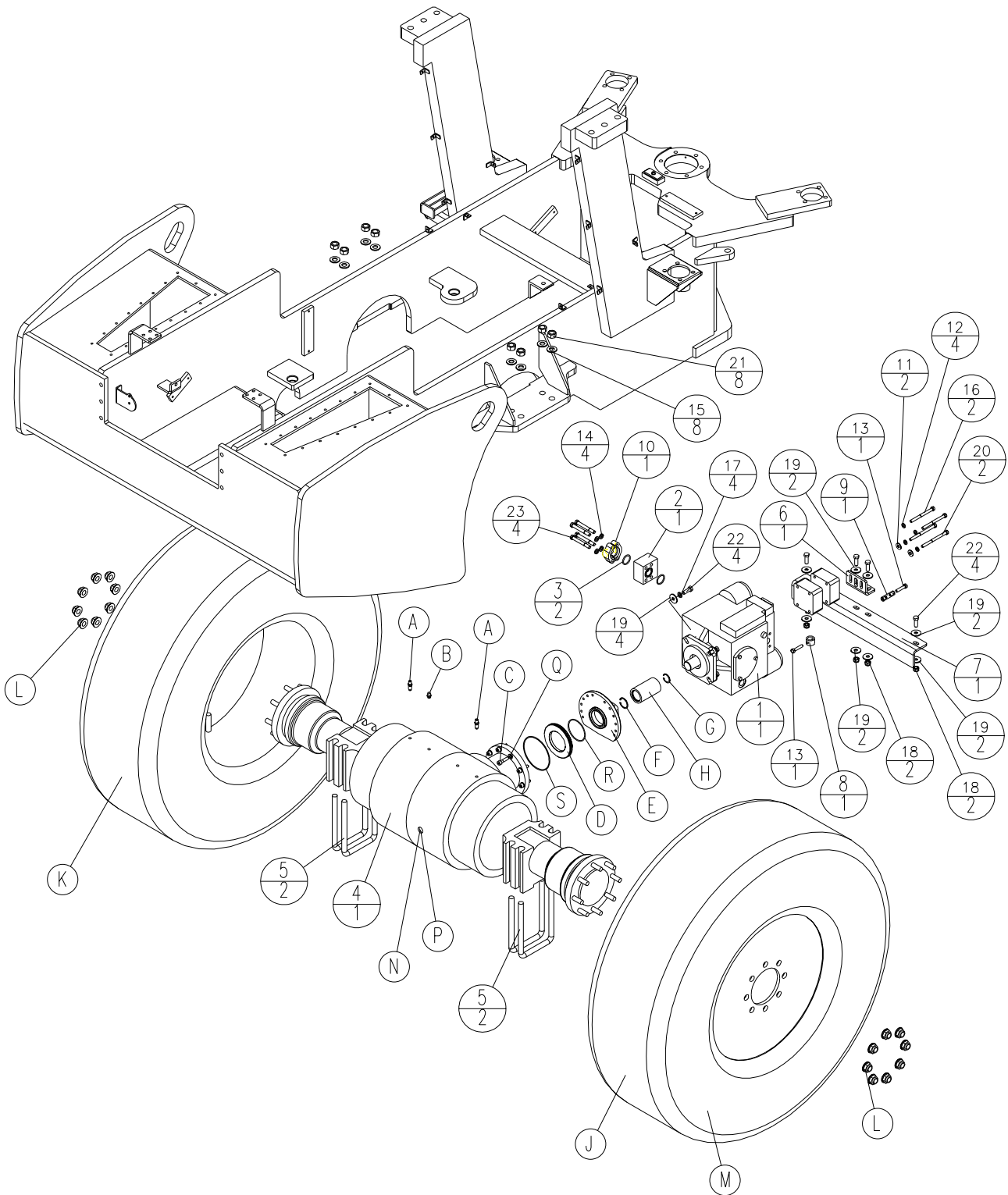
29*	80877	HHCS M4-.7 X 16 8.8 ZN	2
30	80878	NUTNY M4-0.7 ZN	2
31	80880	WSHR FLAT M4 X 9 ZN	2
32	80884	NUTFX M10-1.5 PLAIN	4
33*	80947	HHCS M6-1 X 40 8.8 ZN	4
34*	81011	HHCS M24-3 X 70 8.8 ZN	14
35	81012	WSHRL M24 SPLIT ZN	14

A	44980	TRIM HOOD 102" LG	1
---	-------	-------------------	---

* Loctite

4. PARTS LIST

4.10 Rear Axle Assembly



4. PARTS LIST

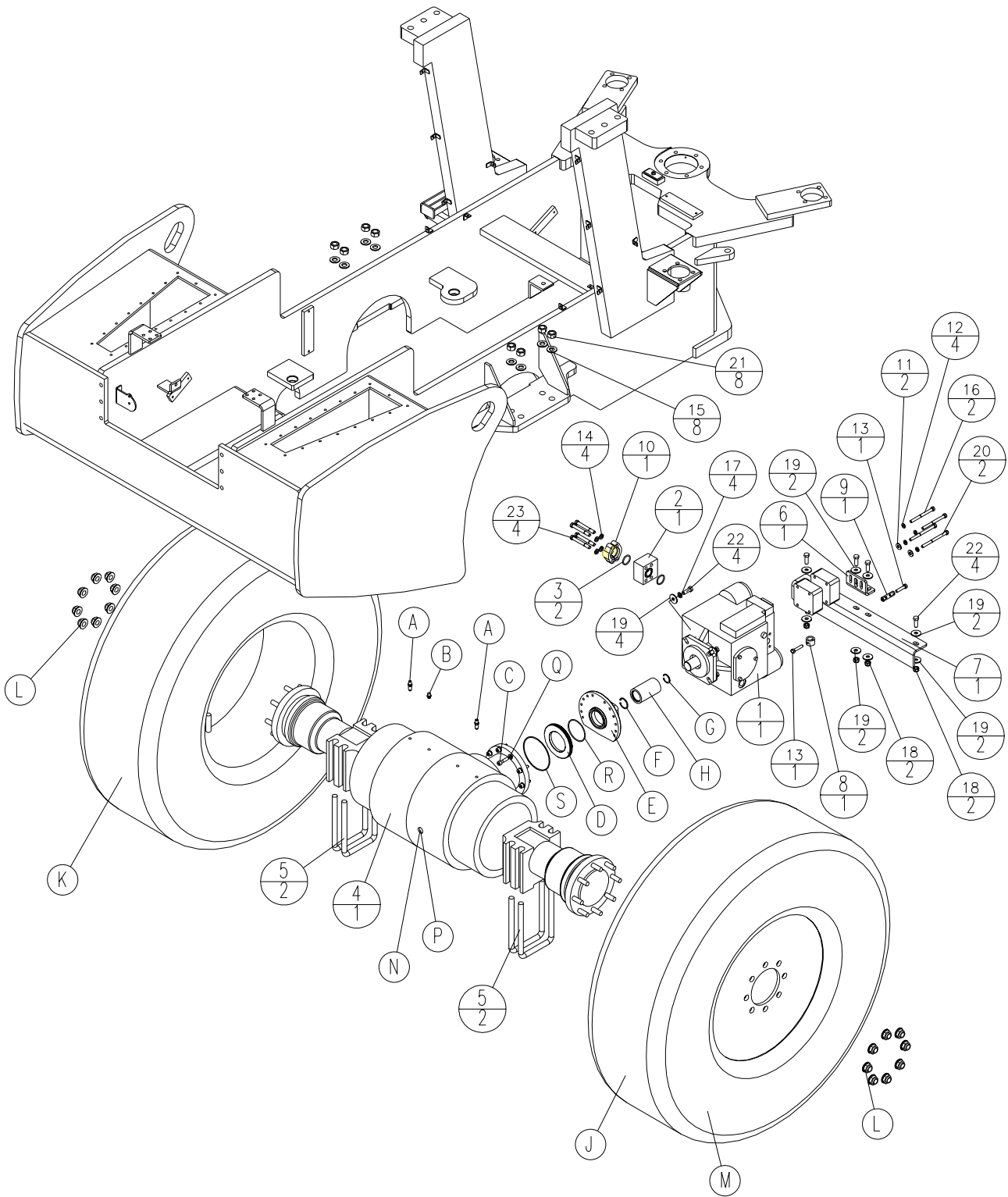
4.10 Rear Axle Assembly

ITEM	PART NO.	DESCRIPTION	QTY
1	36528	MOTOR AXLE	1
2	36621	MANIFOLD SANDWICH CODE 62	1
3	36679	O-RING 1/8 CS X 1-5/16 ID	2
4	39794	AXLE ASSY	1
5*	44557-2	GRY U-BOLT AXLE	4
6	44926-2	GRY BRACKET SUPPORT MOTOR AXLE	1
7	44927-2	GRY SUPPORT MOTOR AXLE	1
8	44966-2	RED HUB RELEASE BRAKE AXLE	1
9	44967-2	RED LEVER BYPASS HYDRAULIC	1
10	46905	KIT FLANGE CODE 62	1
11	80043	WSHR WROT 3/8 ZN	2
12	80058	WSHRL 3/8 MED SPLIT ZN	4
13*	80094	HHCS 3/8-16 X 1 3/4 GR8 ZN	2
14	80335	WSHRL 7/16 MED SPLIT ZN	4
15	80344	WSHR SAE 3/4 ZN	8
16*	80694	HHCS 3/8-16 X 4-1/2 GR5 ZN	2
17	80805	WSHRL M12 SPLIT ZN	4
18	80830	NUTNY M12-1.75 ZN	4
19	80835	WSHR FLAT M12 X 37 ZN	12
20*	80942	HHCS 3/8-16 X 5 GR5 ZN	2
21	81010	NUTFL 3/4-16 ZN	8
22*	81029	HHCS M12-1.75 X 35 10.9 BLK ZN	8
23*	81063	HHCS 7/16-14 X 3 1/2 GR8 ZN	4

* Loctite

4. PARTS LIST

4.10 Rear Axle Assembly Cont'd.



4. PARTS LIST

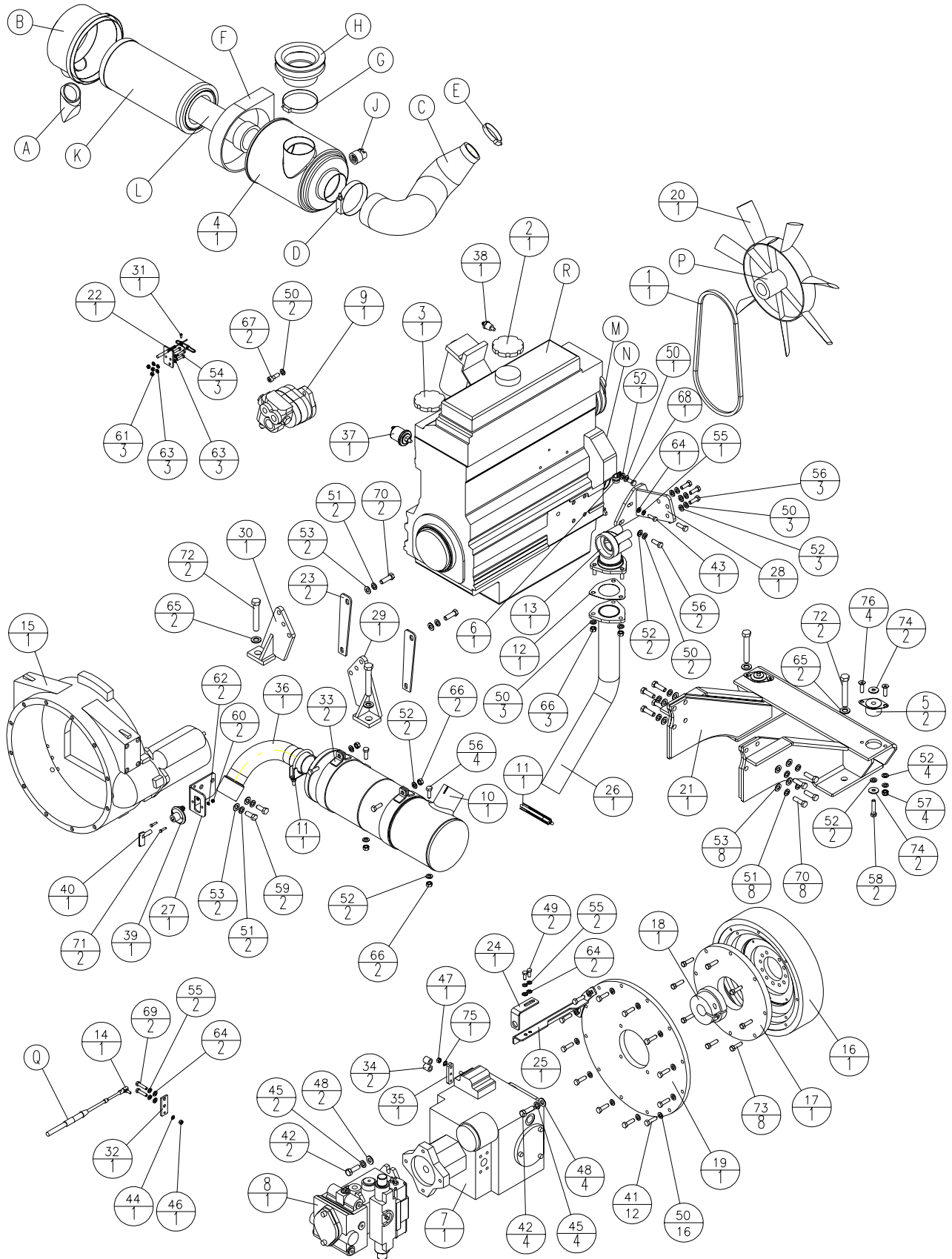
4.10 Rear Axle Assembly Cont'd.

ITEM	PART NO.	DESCRIPTION	QTY
A	44699	FITTING BRAKE BLEEDER ZF	2
B	44599	FITTING BREATHER ZF	1
C*	80800	SHCS M10-1.5 X 40 12.9 BLK	8
D	44975	RING SPACER	1
E	44695	ADAPTOR MOTOR AXLE	1
F	81041	RING RET INT 1.625	1
G	81040	RING RET INT 1.375	1
H	44697	SLEEVE MOTOR AXLE	1
J	44422	TIRE RH 14.9-24 LUG	1
K	44423	TIRE LH 14.9-24 LUG	1
L*	41040	NUTLG M22-1.5 ZINC PLT	16
M	44869	TIRE ASSEMBLY RH/LH 14.9-24 TURF	2
N	31315	PLUG LEVEL OIL	1
P	31316	O-RING PLUG LEVEL OIL	1
Q	80804	WSHRL M10 SPLIT ZN	8
R	31313	O-RING 85 X 3	1
S	31314	O-SEAL 134 X 3	1

* Loctite

4. PARTS LIST

4.11 Engine Assembly



4. PARTS LIST

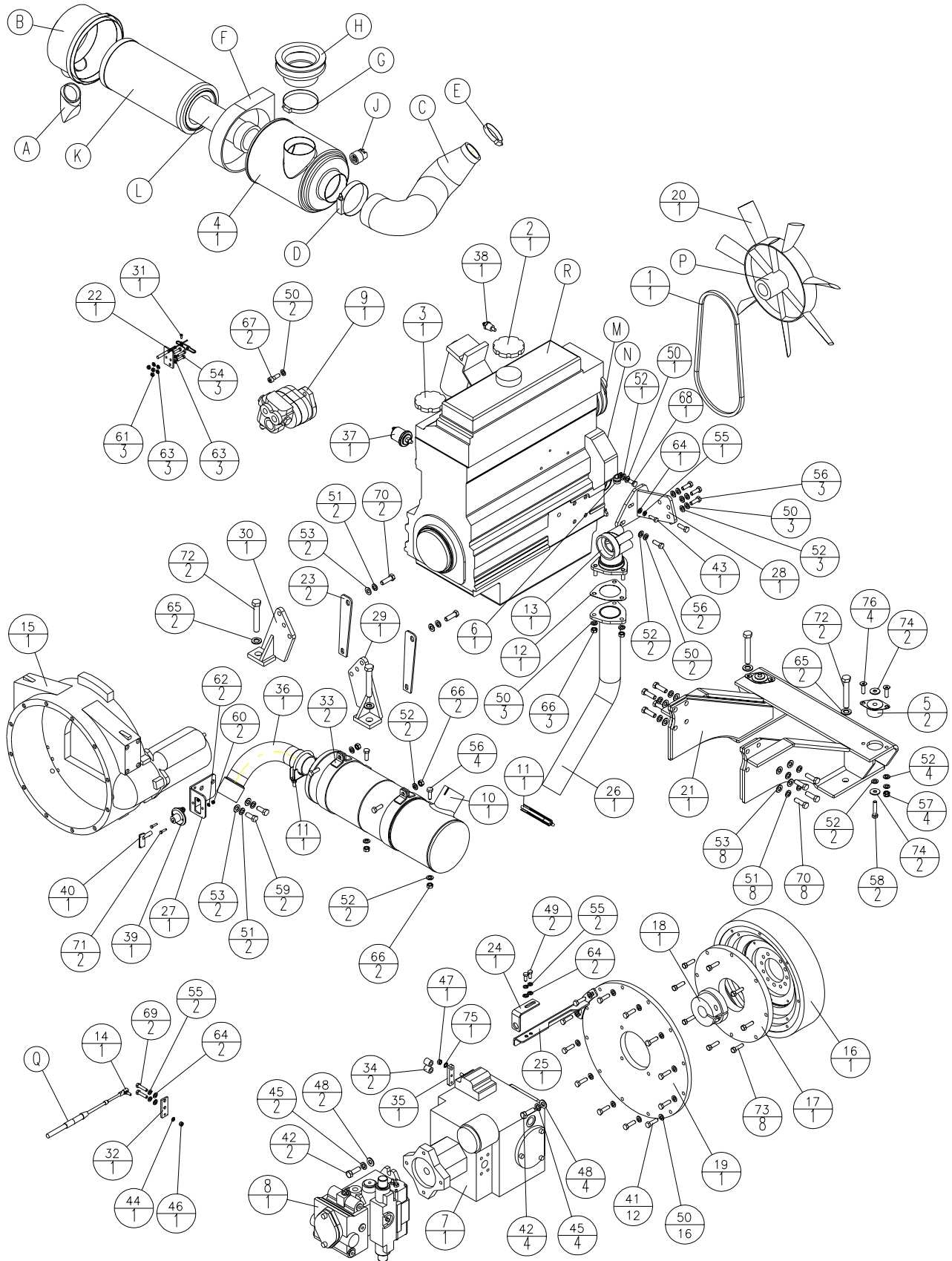
4.11 Engine Assembly

ITEM	PART NO.	DESCRIPTION	QTY
1	31280	BELT	1
2	31298	CAP ASSEMBLY OIL FILLER TOP	1
3	31299	CAP ASSEMBLY OIL FILLER SIDE	1
4	31306	FILTER AIR ASSEMBLY	1
5	31320	ISOLATOR MOUNT RUBBER	2
6	35448	CLAMP 5/8 RUBBER LOOP	1
7	36505	PUMP DRIVE 6421-336	1
8	36506	PUMP ECCENTRIC 72400-RNM-04	1
9	36567	PUMP STEERING 26207-RBA	1
10	36602-2	BLK MUFFLER	1
11	36604	CLAMP MUFFLER	2
12	36623	GASKET EXHAUST	1
13	36624	ELBOW EXHAUST	1
14	39099	PEABODY CONNECTOR	1
15	39769	HOUSING FLYWHEEL	1
16	39770	FLYWHEEL	1
17	39771	FLANGE NYLON FL65	1
18	39772	HUB COUPLING FL65	1
19	39773	PLATE PUMP MTG FL65	1
20	39776	FAN	1
21	44545-2	BLK FRAME WELD RADIATOR	1
22	44684-2	GRY PLATE THROTTLE ENGINE	1
23	44689-2	BLK HANGER EXHAUST	2
24	44692-2	GRY BRACKET ADJUST CABLE FWD/RVS	1
25	44693-2	GRY MOUNT WELD CABLE FWD/RVS	1
26	44694-2	BLK PIPE WELD EXHAUST	1
27	44696-2	GRY BRACKET SWITCH CUT-OFF BATTERY	1
28	44716-2	BLK BRKT WELD EXHAUST	1
29	44718-2	BLK BRACKET REAR RH	1
30	44719-2	BLK BRACKET REAR LH	1
31	44846	SWIVEL THROTTLE	1
32	44911-2	GRY LEVER INPUT PUMP	1
33	44932-2	BLK CLAMP WELD MUFFLER	2
34	44958-2	GRY SPACER LEVER FWD/RVS	2
35	44959	LEVER PUMP MODIFY	1
36	44981-2	BLK TAILPIPE	1
37	48434	SENDOR OIL	1
38	48435	SENDOR TEMPERATURE	1

* Loctite

4. PARTS LIST

4.9 Engine Assembly Cont'd.



4. PARTS LIST

4.9 Engine Assembly Cont'd.

39	48458	SWITCH ISOLATOR BATTERY	1
40	48460	KEY ISOLATOR BATTERY	1
41*	61846	HHCS M10-1.5 X 35 8.8 ZN	12
42*	80075	HHCS 1/2-13 X 1-1/2 GR5 ZN	6
43*	80087	HHCS M8-1.25 X 25 8.8 ZN	1
44	80116	WSHRL 1/4 MED SPLIT ZN	1
45	80117	WSHRL 1/2 MED SPLIT ZN	6
46	80237	NUTFX 1/4-28 ZN	1
47	80244	NUTFX 5/16-18 ZN	1
48	80343	WSHR SAE 1/2 ZN	6
49*	80406	HHCS M8-1.25 X 20 8.8 ZN	2
50	80804	WSHRL M10 SPLIT ZN	27
51	80805	WSHRL M12 SPLIT ZN	12
52	80806	WSHR FLAT M10 X 20 ZN	16
53	80807	WSHR FLAT M12 X 24 ZN	12
54*	80811	HHCS M6-1 X 25 8.8 ZN	3
55	80812	WSHRL M8 SPLIT ZN	5
56*	80815	HHCS M10-1.5 X 30 8.8 ZN	9
57*	80833	NUTNY M10-1.5 ZN	4
58*	80838	HHCS M10-1.5 X 50 8.8 ZN	2
59*	80843	HHCS M12-1.75 X 30 8.8 ZN	2
60	80850	NUTNY M5-.8 ZN	2
61	80851	NUTNY M6-1 ZN	3
62	80855	WSHR FLAT M5 X 10 ZN	2
63	80856	WSHR FLAT M6 X 12 ZN	6
64	80857	WSHR FLAT M8 X 16 ZN	5
65	80858	WSHR FLAT M16 X 30 ZN	4
66	80866	NUTFX M10-1.5 ZN	7
67	80872	SHCS M10-1.5 X 30 8.8 ZN	2
68*	80886	HHCS M10-1.5 X 20 8.8 ZN	1
69*	80892	HHCS M8-1.25 X 35 8.8 ZN	2
70*	80913	HHCS M12-1.75 X 40 8.8 ZN	10
71*	81002	HHCS M5-.8 X 20 8.8 ZN	2
72*	81003	HHCS M16-2 X 100 10.9 ZN	4
73	81009	HHCS 3/8-24 X 1-3/8 GR8 ZN	8
74	81042	WSHR FLAT M10 X 30 ZN	4
75	81058	WSHRLSI 5/16 ZN	1
76*	81059	FHSCS M10 X 30 10.9 BLK	4

* Loctite

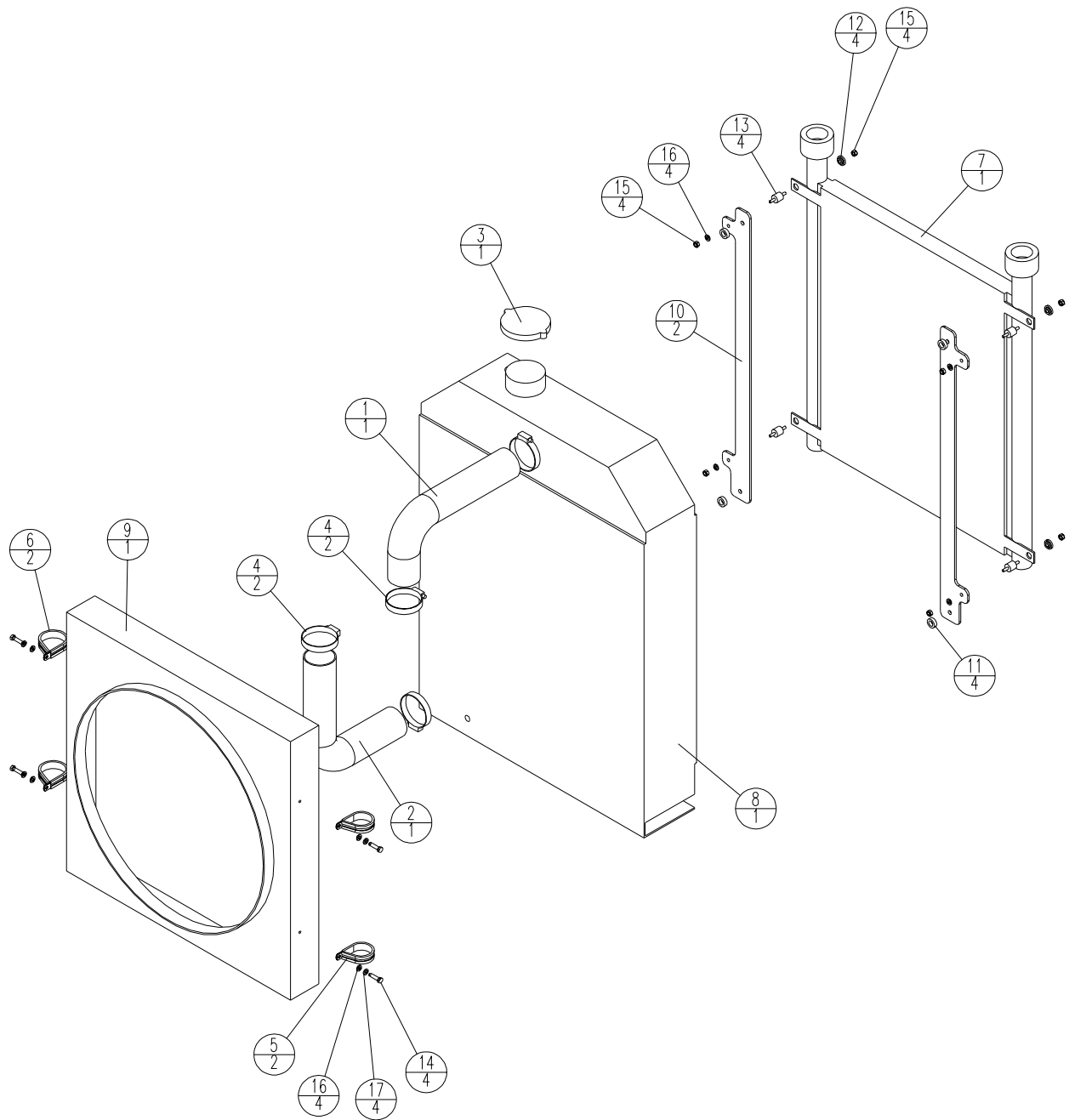
4. PARTS LIST

4.11 Engine Assembly Cont'd.

ITEM	PART NO.	DESCRIPTION	QTY
A	31302	VALVE DUST RUBBER	1
B	31308	COVER REMOVABLE FILTER AIR	1
C	31309	HOSE FILTER AIR	1
D	31310	CLAMP HOSE	1
E	31311	CLAMP HOSE	1
F	31312	CLAMP FILTER AIR ASSEMBLY	1
G	36601	CLAMP AIR INLET	1
H	47462	HOSE INLET AIR	1
J	48449	SWITCH FILTER AIR	1
K	31292	ELEMENT PRIMARY FILTER AIR	1
L	31293	ELEMENT SECONDARY FILTER AIR	1
M	31317	PULLEY FAN	1
N	31318	PULLEY CRANKSHAFT	1
P	31319	EXTENSION FAN 76MM	1
Q	44853	CABLE FORWARD/REVERSE	1
R	31274	KIT ENGINE PERKINS	1
	56442	MANUAL WORKSHOP PERKINS	1
	31278	KIT FILTER FUEL	1
	31279	FILTER OIL	1
	31281	ALTERNATOR	1
	31282	STARTER MOTOR	1
	31283	ATOMIZER FUEL	1
	31284	PUMP WATER	1
	31285	PUMP INSERTION	1
	31286	SOLENOID FUEL	1
	31287	THERMOSTAT	1
	31288	O-RING THERMOSTAT	1
	31289	HEATER INTAKE	1
	31300	JOINT GASKET PUMP WATER	1
	31301	PUMP LIFT	1
	31303	KIT PUMP LIFT	1
	31304	JOINT GASKET PUMP LIFT	1

4. PARTS LIST

4.12 Radiator / Heat Exchanger



4. PARTS LIST

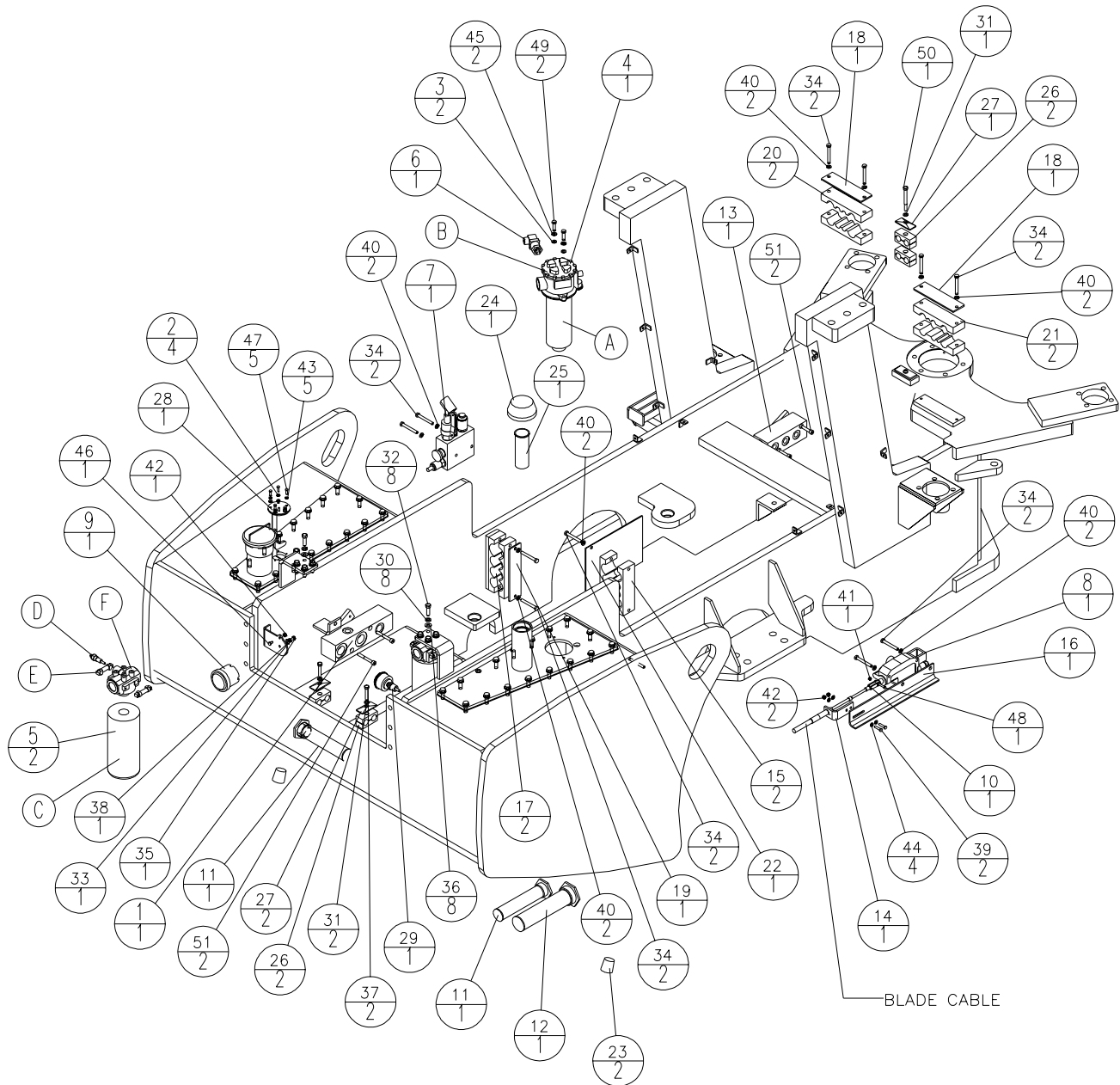
4.12 Radiator / Heat Exchanger

ITEM	PART NO.	DESCRIPTION	QTY
1	31295	HOSE RADIATOR UPPER	1
2	31296	HOSE RADIATOR LOWER	1
3	31297	CAP RADIATOR	1
4	31311	CLAMP HOSE AIR FILTER	4
5	36676	CLAMP 1 3/4" RUBBER LOOP	2
6	36677	CLAMP 2" RUBBER LOOP	2
7	39784	COOLER OIL HYD MR-30-S30	1
8	39785	RADIATOR	1
9	44549	SHROUD RADIATOR	1
10	44720-2	GRY PLATE MOUNT COOLER	2
11	44721-2	BLK SPACER COOLER	4
12	44851-2	BLK BUSHING COOLER	4
13	47442	ISOLATOR COOLER	4
14*	80811	HHCS M6-1 X 25 8.8 ZN	4
15	80851	NUTNY M6-1 ZN	8
16	80856	WSHR FLAT M6 X 12 ZN	8
17	80860	WSHRL M6 SPLIT ZN	4

* Loctite

4. PARTS LIST

4.13 Rear Hydraulic Components Assembly



4. PARTS LIST

4.13 Rear Hydraulic Components Assembly

ITEM	PART NO.	DESCRIPTION	QTY
1	36419	MANIFOLD JUNCTION	1
2	36496	SEAL RBR #10	4
3	36497	SEAL RBR 5/16	2
4	36519	FILTER ASM TANK HYD MPT1003SAG8A10HBER	1
5	36522	FILTER ASM SPIN-ON HYD	2
6	36645	SWITCH FILTER IN-TANK	1
7	36667	MANIFOLD RELEASE BRAKE	1
8+	38526	VALVE CONTROL BLADE	1
9	38559	BACK UP ALARM	1
10	38561	BLADE VALVE END	1
11	39788	STRAINER 15 GPM ST-15-100	2
12	39789	STRAINER 25 GPM ST-25-100	1
13	39792	MANIFOLD RETURN DRAIN	1
14+	42160 -2	YEL BRKT ADJ BLADE VALVE	1
15	44673	CAPTIVATOR HOSE REAR RH	2
16+	44677-2	GRY BRACKET VALVE BLADE	1
17	44680	CAPTIVATOR HOSE REAR LH	2
18	44681-2	GRY PLATE CAPTIVATOR FRONT/REAR	2
19	44682-2	GRY PLATE CAPTIVATOR REAR LH	1
20	44840	CAPTIVATOR HOSE LH	2
21	44842	CAPTIVATOR HOSE RH	2
22	44982	PLATE CAPTIVATOR REAR RH	1
23	46172	PLUG 1 NPT SQ SOC BLK	2
24	46934	BREATHER 3 MICRON TAP90GIL03AM1	1
25	46951	BASKET RISER 1060011	1
26#	47455	CLAMP SPLIT,DUAL HOSE 21.3-21.3	4
27	47456	COVER PLATE, DUAL HOSE	3
28	48436	SENDOR FUEL	1
29	48438	SWITCH TEMP HYD	1
30	80058	WSHRL 3/8 MED SPLIT ZN	8

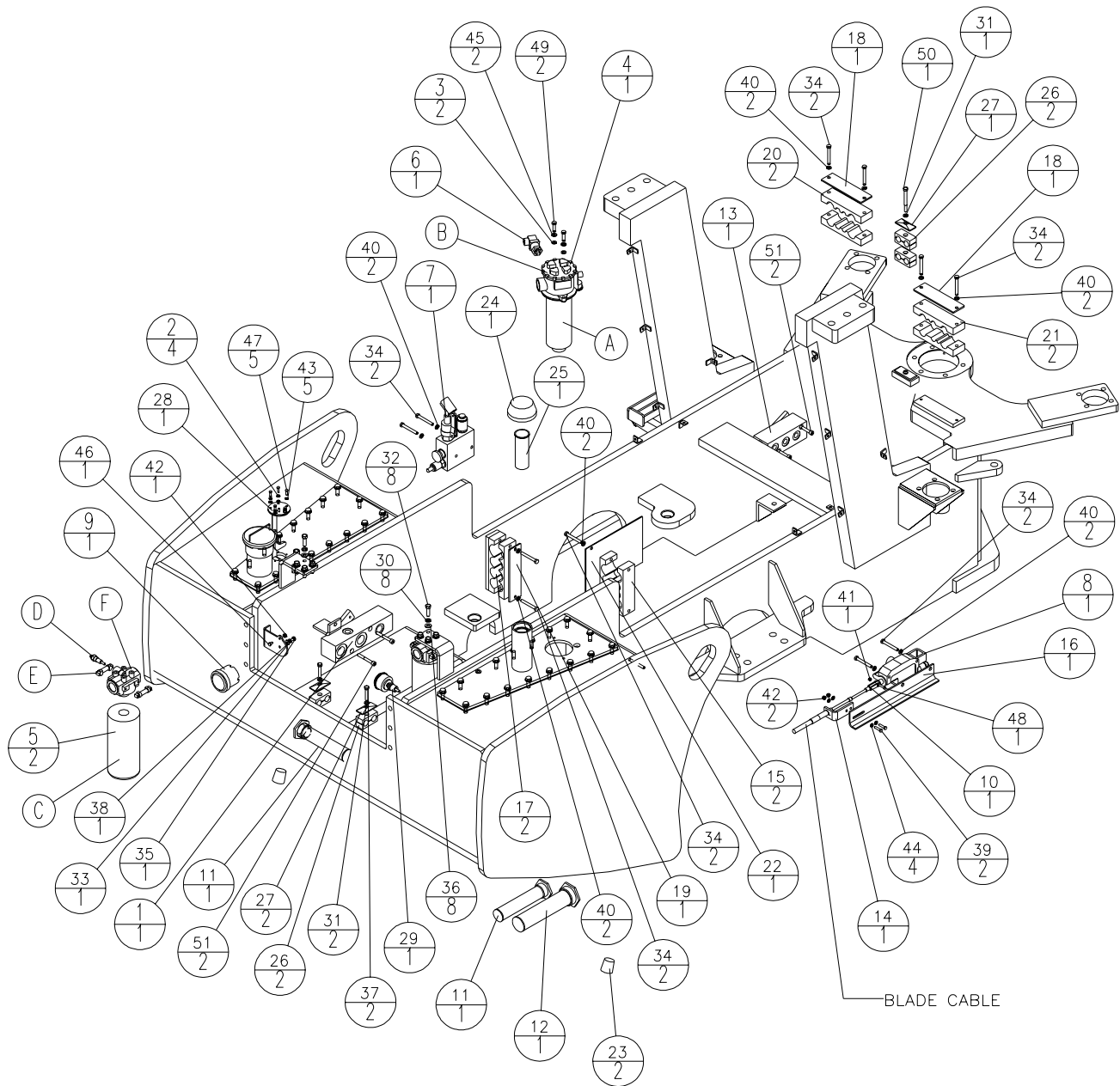
* Loctite

+ Unit w/blade only

Quantity 5 for unit w/blade

4. PARTS LIST

4.13 Rear Hydraulic Components Assembly Cont'd.



4. PARTS LIST

4.13 Rear Hydraulic Components Assembly Cont'd.

31	80086	WSHRL 5/16 MED SPLIT ZN	3
32*	80088	HHCS 3/8-16 X 1.25 GR 8	8
33	80116	WSHRL 1/4 MED SPLIT ZN	1
34*	80148	HHCS M8-1.25 X 65 8.8 ZN	12
35*	80152	HHCS 1/4-20 X 1/2 GR5 ZN	1
36	80342	WSHR SAE 3/8 ZN	8
37*	80475	HHCS 5/16-18 X 1 3/4 GR5 ZN	2
38	80571	WSHR 1/4 SAE ZN	1
39*	80811	HHCS M6-1 X 25 8.8 ZN	2
40	80812	WSHRL M8 SPLIT ZN	12
41	80850	NUTNY M5-.8 ZN	1
42	80851	NUTNY M6-1 ZN	3
43	80855	WSHR FLAT M5 X 10 ZN	5
44	80856	WSHR FLAT M6 X 12 ZN	4
45	80857	WSHR FLAT M8 X 16 ZN	2
46*	80865	HHCS M6-1 X 10 8.8 ZN	1
47*	80889	HHCS M5-.8 X 16 8.8 ZN	5
48*	80890	HHCS M5-.8 X 30 8.8 ZN	1
49*	80931	HHCS M8-1.25 X 30 8.8 ZN	2
50**	80935	HHCS 5/16-24 X 3 1/4 GR5 ZN	1
51	81007	SHCS M8-1.25 X 65 8.8 ZN	4

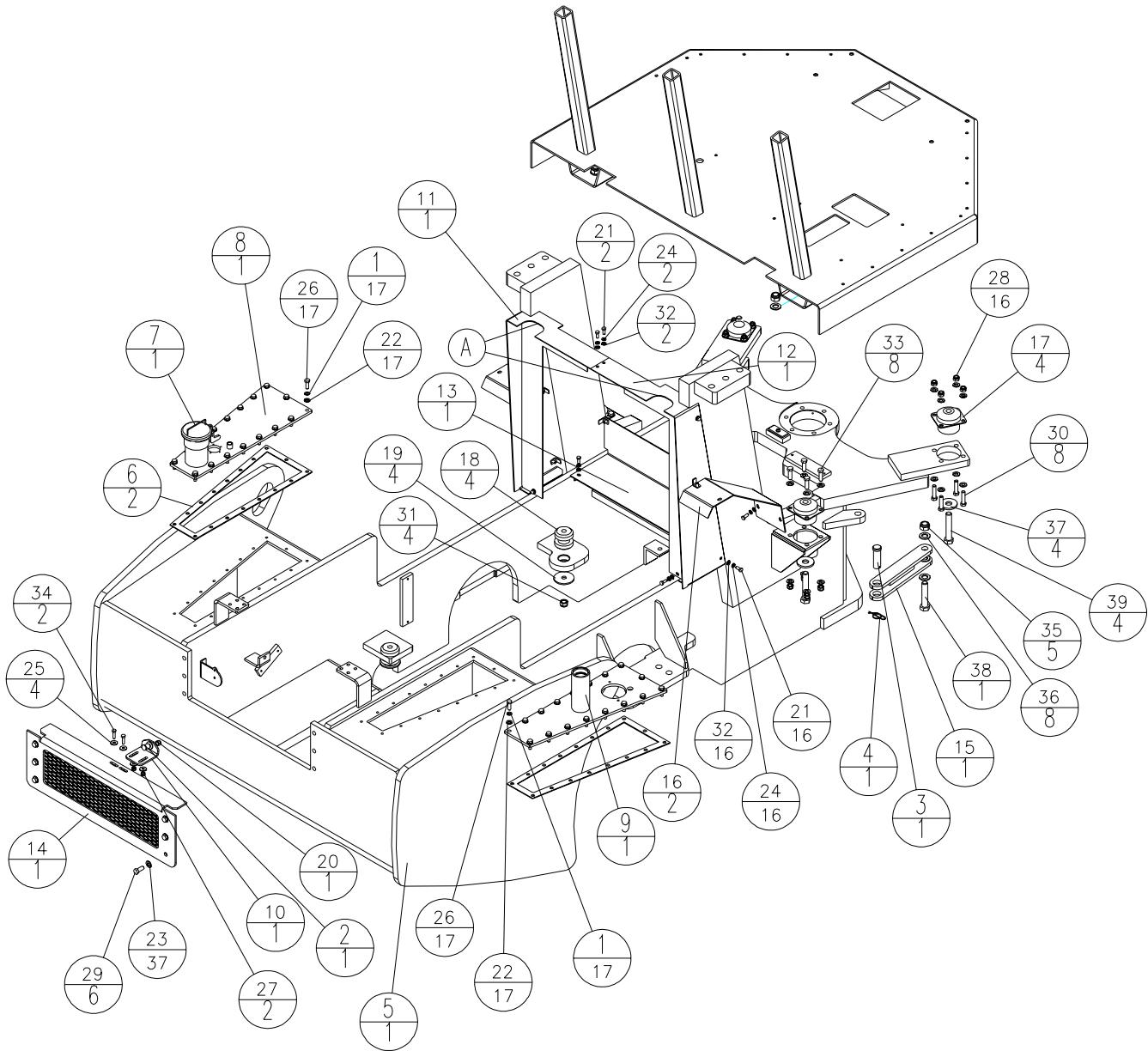
A	36585	ELEMENT FILTER IN-TANK	1
B	36671	CAP FILTER RETURN	1
C	36586	ELEMENT FILTER SPIN-ON	1
D	36646	SWITCH FILTER SPIN-ON	1
E	36647	INDICATOR FILTER SPIN-ON	2
F	36670	HEAD FILTER SPIN-ON	1

* Loctite

** P/N 81062 HHCS 5/16-18 x 4 3/4 for unit w/blade

4. PARTS LIST

4.14 Rear Ducting / Isolator Assembly



4. PARTS LIST

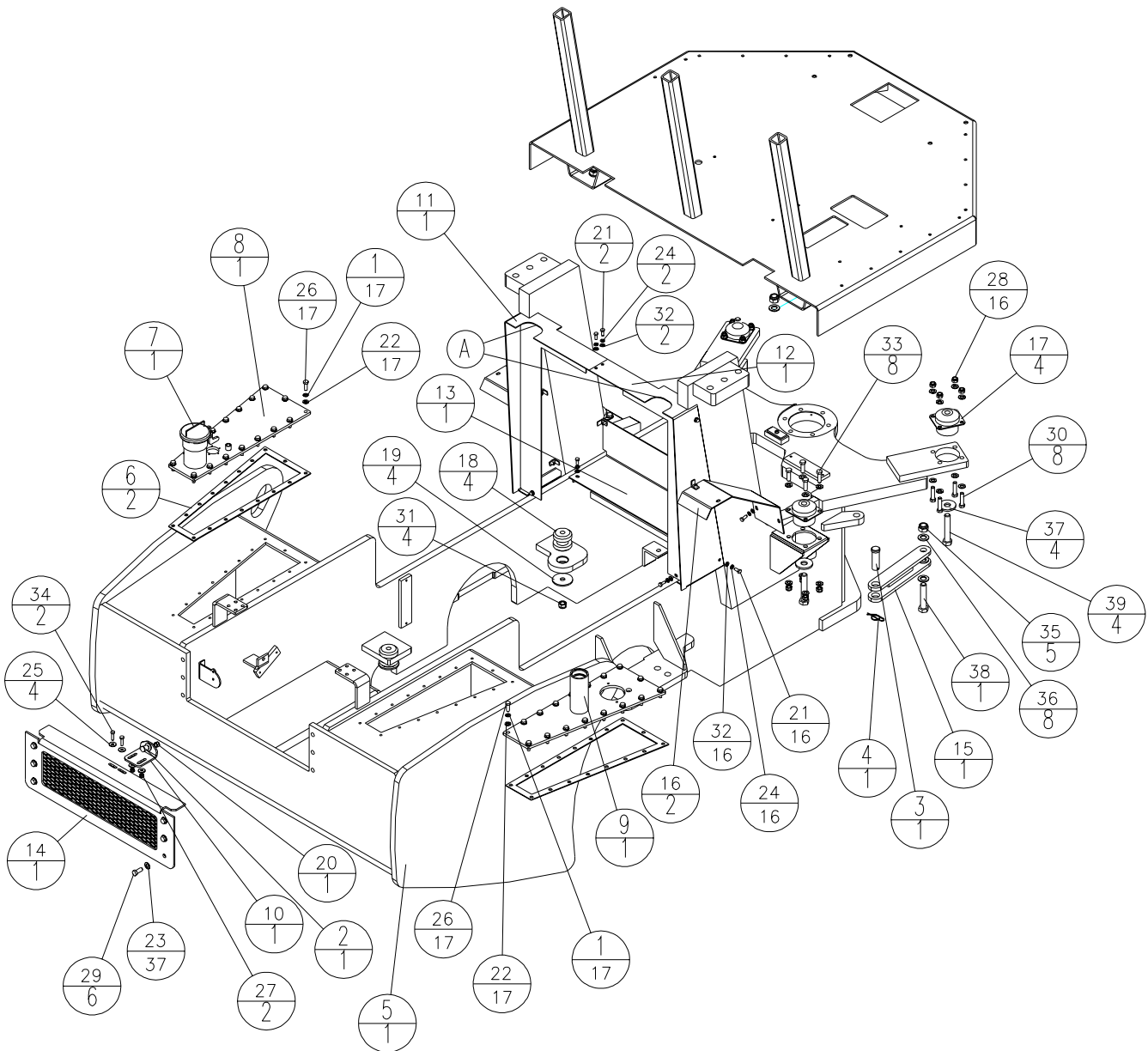
4.14 Rear Ducting / Isolator Assembly

ITEM	PART NO.	DESCRIPTION	QTY
1	36498	SEAL RBR 3/8	34
2	36600	PIN STRIKER	1
3	44203	PIN CLEVIS 1"	1
4	44204	RUE RING 1"	1
5	44468	FRAME REAR WELD/MACH	1
6	44592	GASKET TANK	2
7	44701	CAP FUEL 3-5/16 NOM	1
8	44702-2	GRY COVER WELD FUEL	1
9	44704-2	GRY COVER WELD HYDRAULIC	1
10	44764-2	GRY BRKT PIN STRIKER	1
11	44785-2	GRY WELD AIRDUCT RADIATOR LH	1
12	44786-2	GRY WELD AIRDUCT RADIATOR RH	1
13	44788-2	GRY SHT AIRDUCT FRONT	1
14	44801-2	GRY WELD COVER REAR FRAME	1
15	44835-2	GRY LINK WELD TRANSPORT	1
16	44963-2	GRY FENDER WELD	2
17	47434	ISOLATOR FLOOR	4
18	47436	ISOLATOR ENGINE	4
19	47438	WASHER STL 2.81 OD .66 ID ZN	4
20	80079	NUTNY 7/16-14 ZN	1
21*	80406	HHCS M8-1.25 X 20 8.8 ZN	18
22	80806	WSHR FLAT M10 X 20 ZN	34
23	80807	WSHR FLAT M12 X 24 ZN	37
24	80812	WSHRL M8 SPLIT ZN	18
25	80813	WSHR FLAT M8 X 24 ZN	4
26*	80815	HHCS M10-1.5 X 30 8.8 ZN	34
27	80817	NUTNY M8-1.25 ZN	2
28	80830	NUTNY M12-1.75 ZN	16
29*	80843	HHCS M12-1.75 X 30 8.8 ZN	6
30*	80844	HHCS M12-1.75 X 50 8.8 ZN	8

* Loctite

4. PARTS LIST

4.14 Rear Ducting / Isolator Assembly Cont'd.



4. PARTS LIST

4.14 Rear Ducting / Isolator Assembly Cont'd.

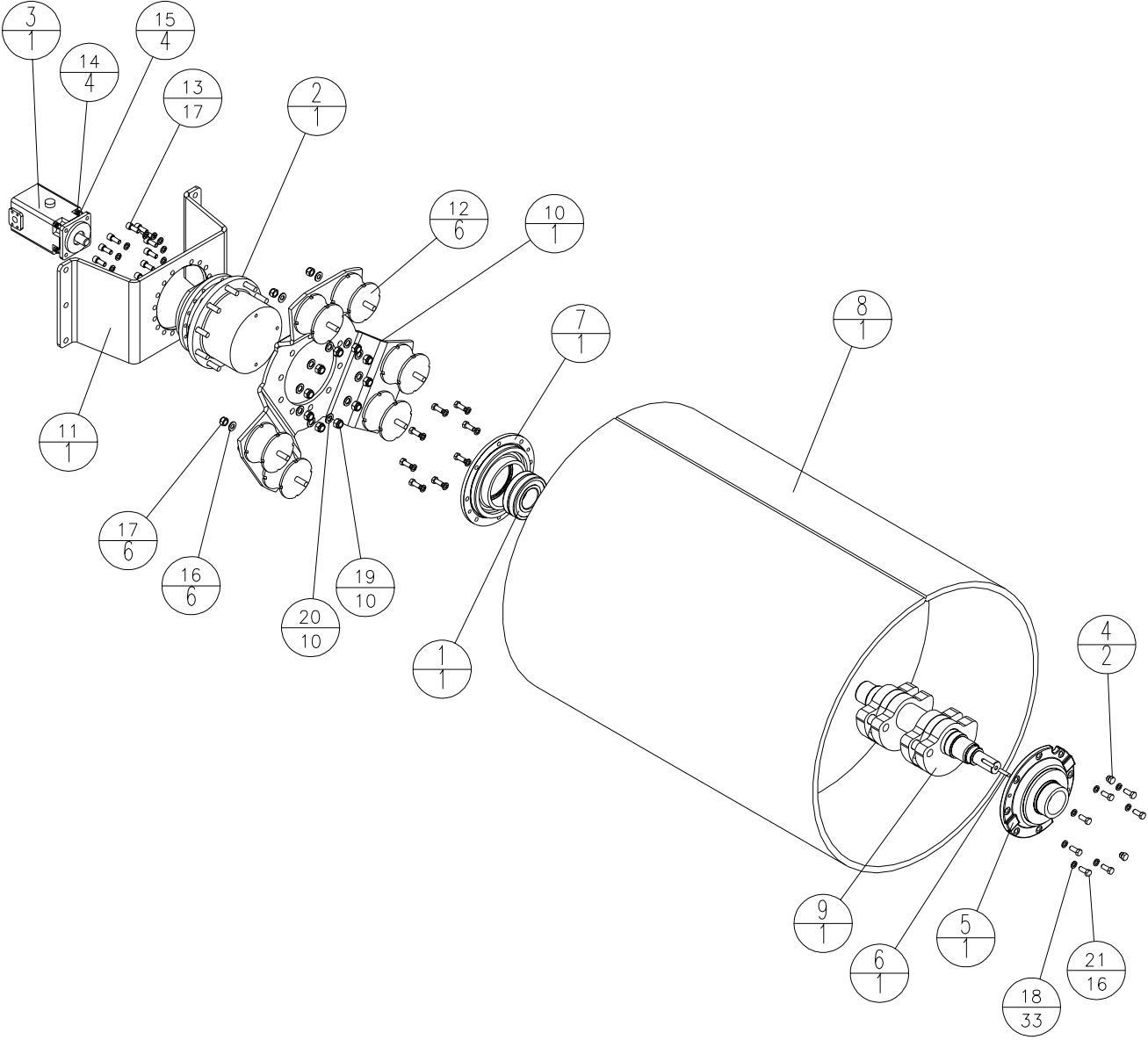
31	80852	NUTNY M16-2 ZN	4
32	80857	WSHR FLAT M8 X 16 ZN	18
33*	80913	HHCS M12-1.75 X 40 8.8 ZN	8
34*	80931	HHCS M8-1.25 X 30 8.8 ZN	2
35	80972	NUTNY M20-2.5 ZN	5
36	80975	WSHR FLAT M20 X 37 ZN	8
37	81014	WSHR FLAT M20 X 60 ZN	4
38*	81021	HHCS M20-2.5 X 100 8.8 ZN	1
39*	81053	HHCS M20-2.5 X 110 10.9 ZN	4

A	44979	TRIM AIRDUCT 7.50" LG	2
---	-------	-----------------------	---

* Loctite

4. PARTS LIST

4.15 Drum Assembly SD/PD66



4. PARTS LIST

4.15 Drum Assembly SD/PD66

ITEM	PART NO.	DESCRIPTION	QTY	
1	30573	BRG ECCENTRIC	1	
2	36463	HUB TORQUE	1	
3	36464	MOTOR HUB TORQUE 3933-078	1	
4	44332	PLUG 7/8-14 O-RING	2	
5	44440-2	YEL CAP MACH BRG ECC RH	1	
6	44453	KEY SQ 1/2 X 2	1	
7	44454-2	YEL CAP MACH BRG ECC LH	1	
SEE NOTE	8	44735-2	YEL DRUM WELD SD66	1
SEE NOTE	9	44737	SHAFT ASSY ECC SD66	1
10	44841-2	YEL PLATE DRIVE	1	
11	44843-2	YEL BRKT MTG MTR DRIVE	1	
12*	47431	ISOLATOR DRUM SD/PD66	6	
13*	60274	SHCS M16-2 X 40 8.8 ZN	17	
14*	80075	HHCS 1/2-13 X 1-1/2 GR5 ZN	4	
15	80117	WSHRL 1/2 MED SPLIT ZN	4	
16	80344	WSHR SAE 3/4 ZN	6	
17	80688	NUTNY 3/4-10 ZN	6	
18	80969	WSHRL M16 SPLIT ZN	33	
19	80973	NUTNY M22-1.5 ZN	10	
20	80974	WSHR FLAT M22 X 39 ZN	10	
21*	81004	HHCS M16-2 X 40 8.8 ZN	16	

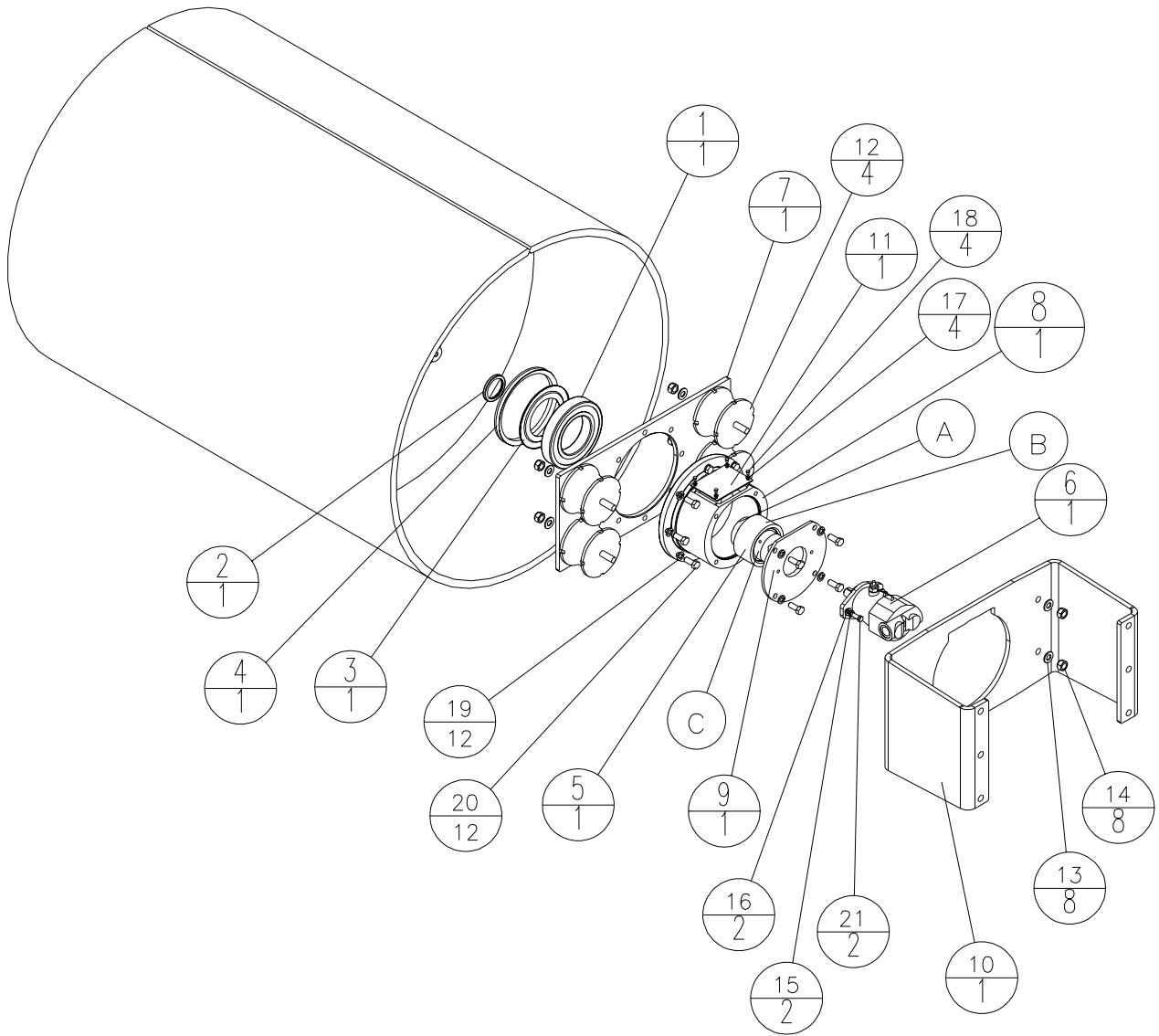
44435-2 YEL DRUM WELD PD66

44437 SHAFT ASSY ECC PD66

* Loctite

4. PARTS LIST

4.16 Drum Assembly SD66



4. PARTS LIST

4.16 Drum Assembly SD66

ITEM	PART NO.	DESCRIPTION	QTY
1	30574	BRG DRUM	1
2	30575	SEAL SHAFT ECCENTRIC	1
3	30576	SHIELD BRG DRUM	1
4	30578	V-RING BRG DRUM	1
5	36422	SET COUPLING DRIVE	1
6	36501	MOTOR ECCENTRIC 74315-DBP	1
7	44426-2	YEL PLATE SHOCK MOUNT RH	1
8	44441-2	YEL HSG MACH BRG DRUM	1
9	44442-2	YEL PLATE MTG MTR ECC	1
10	44444-2	YEL BRKT SHOCK MOUNT RH	1
11	44462-2	YEL COVER COUPLING ECC	1
12*	47431	ISOLATOR DRUM SD/PD66	4
13	80344	WSHR SAE 3/4 ZN	8
14	80688	NUTNY 3/4-10 ZN	8
15	80805	WSHRL M12 SPLIT ZN	2
16	80807	WSHR FLAT M12 X 24 ZN	2
17	80860	WSHRL M6 SPLIT ZN	4
18*	80865	HHCS M6-1 X 10 8.8 ZN	4
19	80969	WSHRL M16 SPLIT ZN	12
20*	81004	HHCS M16-2 X 40 8.8 ZN	12
21*	81029	HHCS M12-1.75 X 35 10.9 BLK ZN	2

A	36650	HUB COUPLING WEIGHT	1
B	36651	SLEEVE COUPLING	1
C	36649	HUB COUPLING MOTOR	1

* Loctite

4. PARTS LIST

4.17 Front Frame Assembly

ITEM	PART NO.	DESCRIPTION	QTY
1	44445-2	GRY FRAME WELD FRONT	1
2	44482-2	GRY FRAME WELD SCRAPER	1
3+	44492	SHIM SCRAPER 1/16	2
4+	44493	SHIM SCRAPER 1/8	2
5	44575-2	GRY GUARD WELD HOSE LH	1
6	44576-2	GRY GUARD WELD HOSE RH	1
7	44586-2	GRY PLATE GUARD HOSE	4
8	44589-2	GRY SPACER LH GUARD HOSE	3
9	44681-2	GRY PLATE CAPTIVATOR FRONT/REAR	2
10	44840	CAPTIVATOR HOSE LH	2
11	44842	CAPTIVATOR HOSE RH	2
12	44883-2	COVER MOTOR TORQ	1
13	44934-2	SPACER RH GUARD HOSE	3
14	44973-2	PLATE CAPTIVATOR HOSE	2
15	47455	CLAMP SPLIT,DUAL HOSE 21.3-21.3	2
16	47456	COVER PLATE, DUAL HOSE	2
17*	80148	HHCS M8-1.25 X 65 8.8 ZN	8
18*	80406	HHCS M8-1.25 X 20 8.8 ZN	12
19	80812	WSHRL M8 SPLIT ZN	14
20	80817	NUTNY M8-1.25 ZN	6
21	80857	WSHR FLAT M8 X 16 ZN	14
22	80972	NUTNY M20-2.5 ZN	4
23	80975	WSHR FLAT M20 X 37 ZN	4
24*	81013	HHCS M20-2.5 X 90 8.8 ZN	4
25	81014	WSHR FLAT M20 X 60 ZN	4
26*	81055	HHCS M8-1.25 X 100 8.8 ZN	2

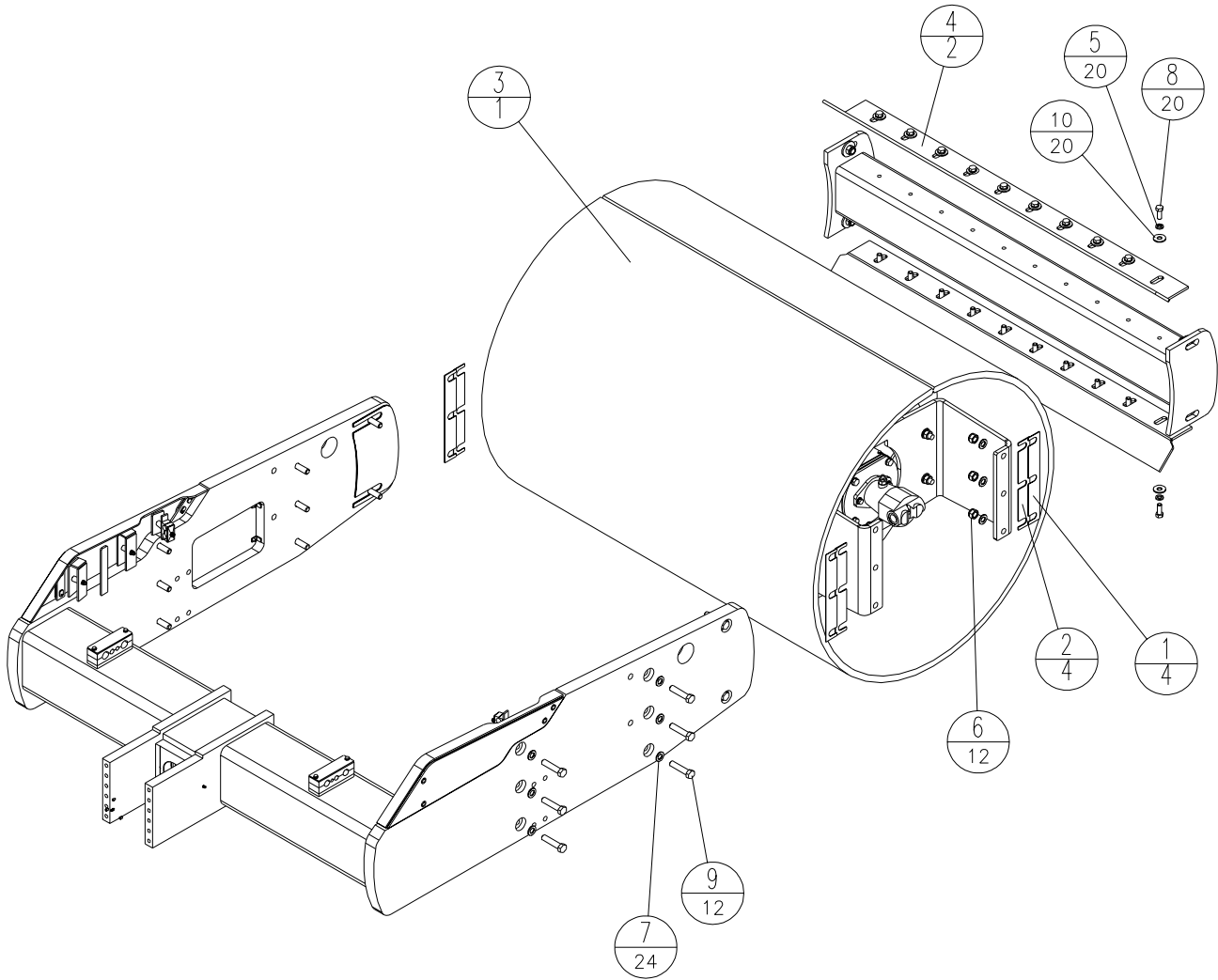
A	44961	TRIM GUARD 11" LG	2
---	-------	-------------------	---

* Loctite

+ Shim as required

4. PARTS LIST

4.18 Frame / Drum Assembly SD66



4. PARTS LIST

4.18 Frame / Drum Assembly SD66

ITEM	PART NO.	DESCRIPTION	QTY
1#	44490	SHIM DRUM 16 GA. THK	4
2#	44491	SHIM DRUM 11 GA. THK	4
3++	44736-2	YEL DRUM ASSY SD66	1
4	44829-2	GRY SCRAPER SD66	2
5	80969	WSHRL M16 SPLIT ZN	20
6	80972	NUTNY M20-2.5 ZN	12
7	80975	WSHR FLAT M20 X 37 ZN	24
8*	81004	HHCS M16-2 X 40 8.8 ZN	20
9*	81013	HHCS M20-2.5 X 90 8.8 ZN	12
10	81054	WSHR .69 ID X 1.75 OD ZN	20

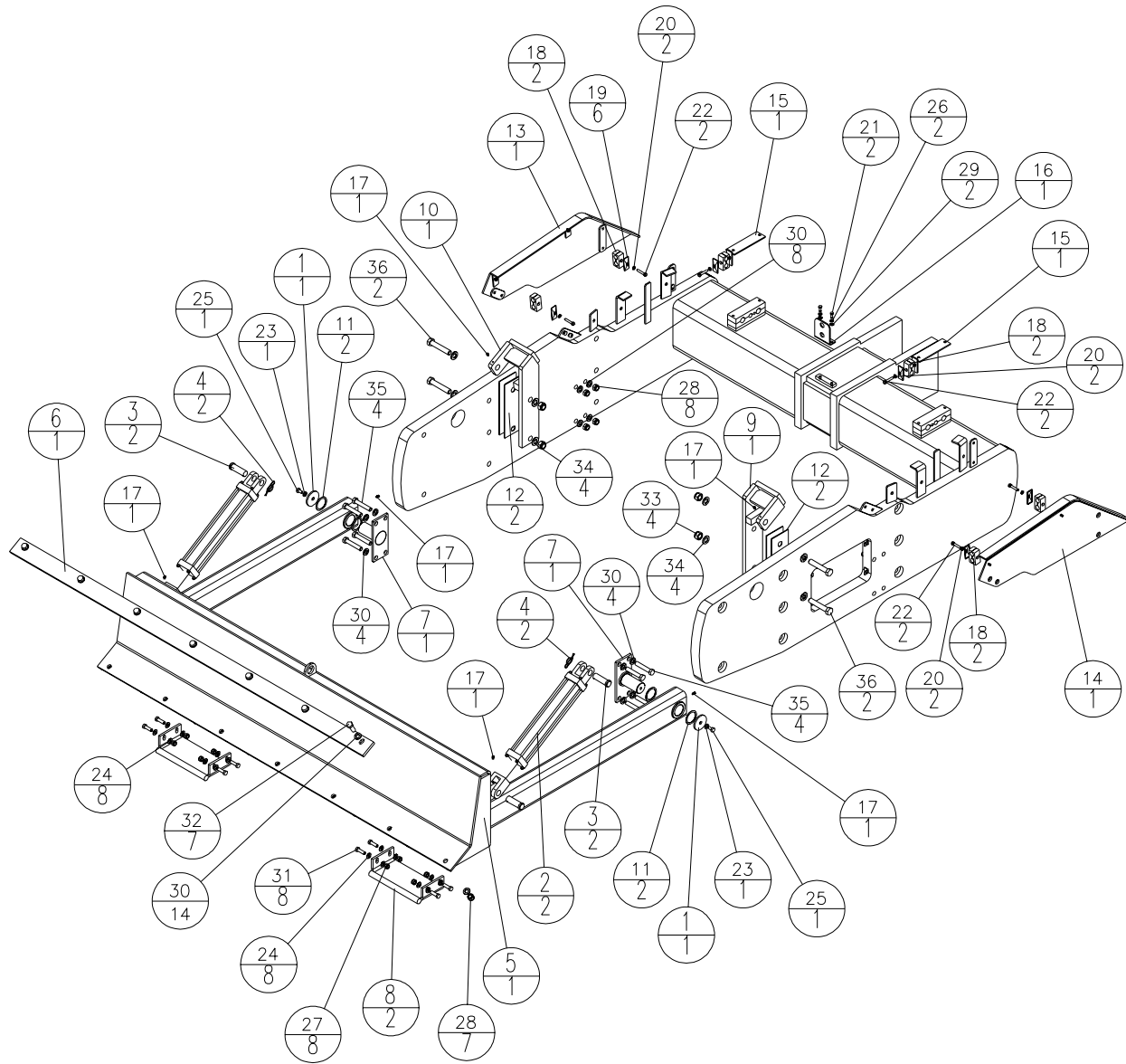
* Loctite

++ See drum assembly for parts list

Shim as required

4. PARTS LIST

4.20 Blade Assembly



4. PARTS LIST

4.20 Blade Assembly

ITEM	PART NO.	DESCRIPTION	QTY
1	29741	WSHR 2-3/4OD X 17/32ID 1/4THK	2
2	38084	CYLINDER BLADE 2 X 12	2
3	44203	PIN CLEVIS 1"	4
4	44204	RUE RING 1"	4
5	44810-2	GRY BLADE WELD	1
6	44813-2	GRY BAR WEAR BLADE	1
7	44818-2	GRY PIVOT WELD BLADE	2
8	44826-2	GRY SKID WELD BLADE	2
9	44943-2	GRY ARM WELD LIFT BLADE LH	1
10	44945-2	GRY ARM WELD LIFT BLADE RH	1
11	44951	WASHER STL 2" ID X 2.50 OD 16GA	4
12	44974	SHIM ARM BLADE	4
13	44983-2	GRY GUARD WELD HOSE RH PDB	1
14	44986-2	GRY GUARD WELD HOSE LH PDB	1
15	44988-2	GRY WELD CAPTIVATOR FRNT PDB	2
16	44990-2	GRY BRKT HOSE FRNT PDB	1
17	46042	FITTING GREASE 1/4-28 ZN	6
18	47455	CLAMP SPLIT,DUAL HOSE 21.3-21.3	6
19	47456	COVER PLATE, DUAL HOSE	6
20	80086	WSHRL 5/16 MED SPLIT ZN	6
21*	80406	HHCS M8-1.25 X 20 8.8 ZN	2
22*	80475	HHCS 5/16-18 X 1 3/4 GR5 ZN	6
23	80805	WSHRL M12 SPLIT ZN	2
24	80807	WSHR FLAT M12 X 24 ZN	16
25*	80808	HHCS M12-1.75 x 20 8.8 ZN	2
26	80812	WSHRL M8 SPLIT ZN	2
27	80830	NUTNY M12-1.75 ZN	8
28	80852	NUTNY M16-2 ZN	15
29	80857	WSHR FLAT M8 X 16 ZN	2
30	80858	WSHR FLAT M16 X 30 ZN	30
31*	80913	HHCS M12-1.75 X 40 8.8 ZN	8
32*	80970	HHCS M16-2 X 45 8.8 ZN	7
33	80972	NUTNY M20-2.5 ZN	4
34	80975	WSHR FLAT M20 X 37 ZN	8
35*	80997	HHCS M16-2 X 90 8.8 ZN	8
36*	81053	HHCS M20-2.5 X 110 10.9 ZN	4

A++	38811	CAPTIVATOR CLIP ON HOSE	4
-----	-------	-------------------------	---

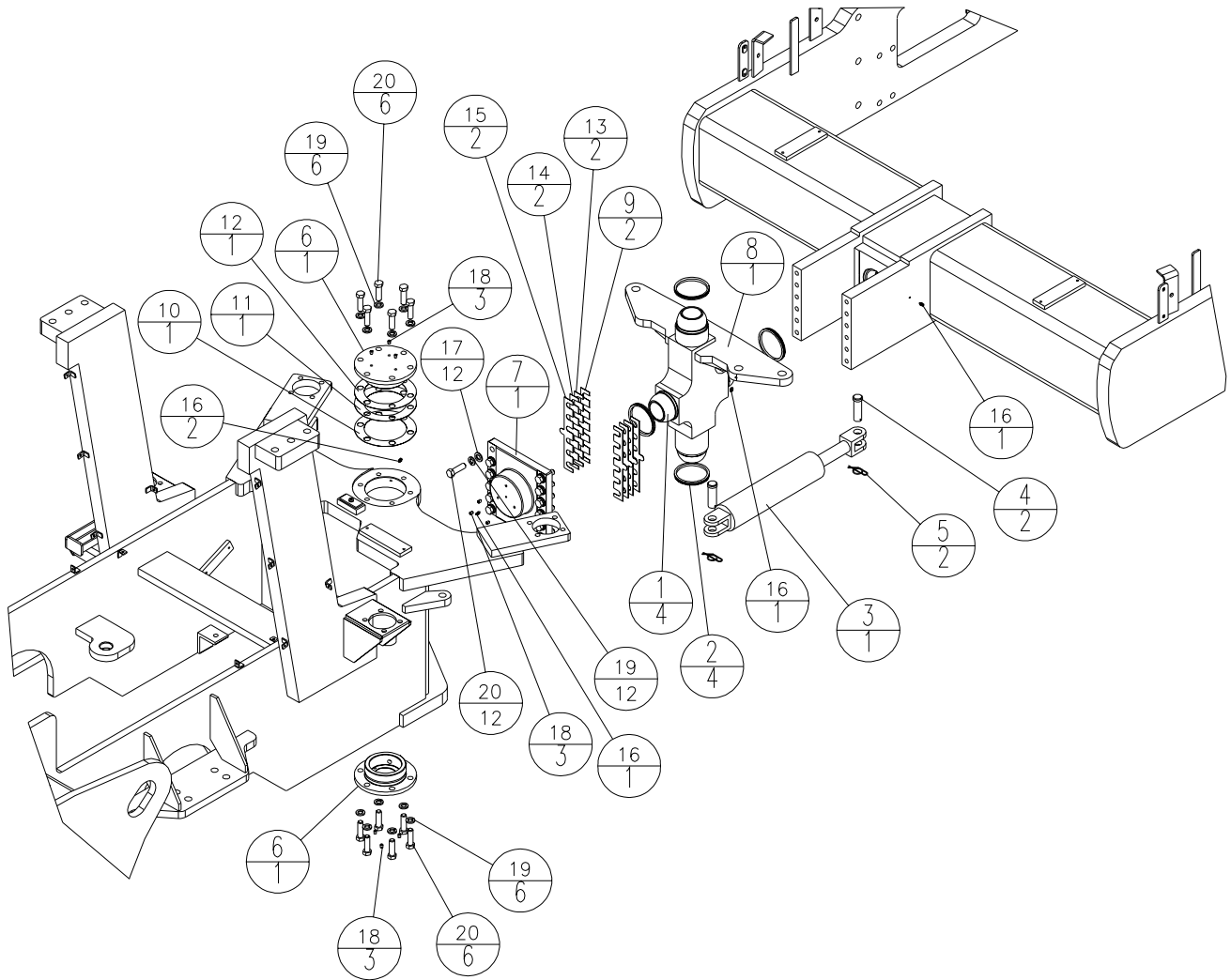
* Loctite

++ Not Shown

Shim as required

4. PARTS LIST

4.21 Pivot Assembly



4. PARTS LIST

4.21 Pivot Assembly

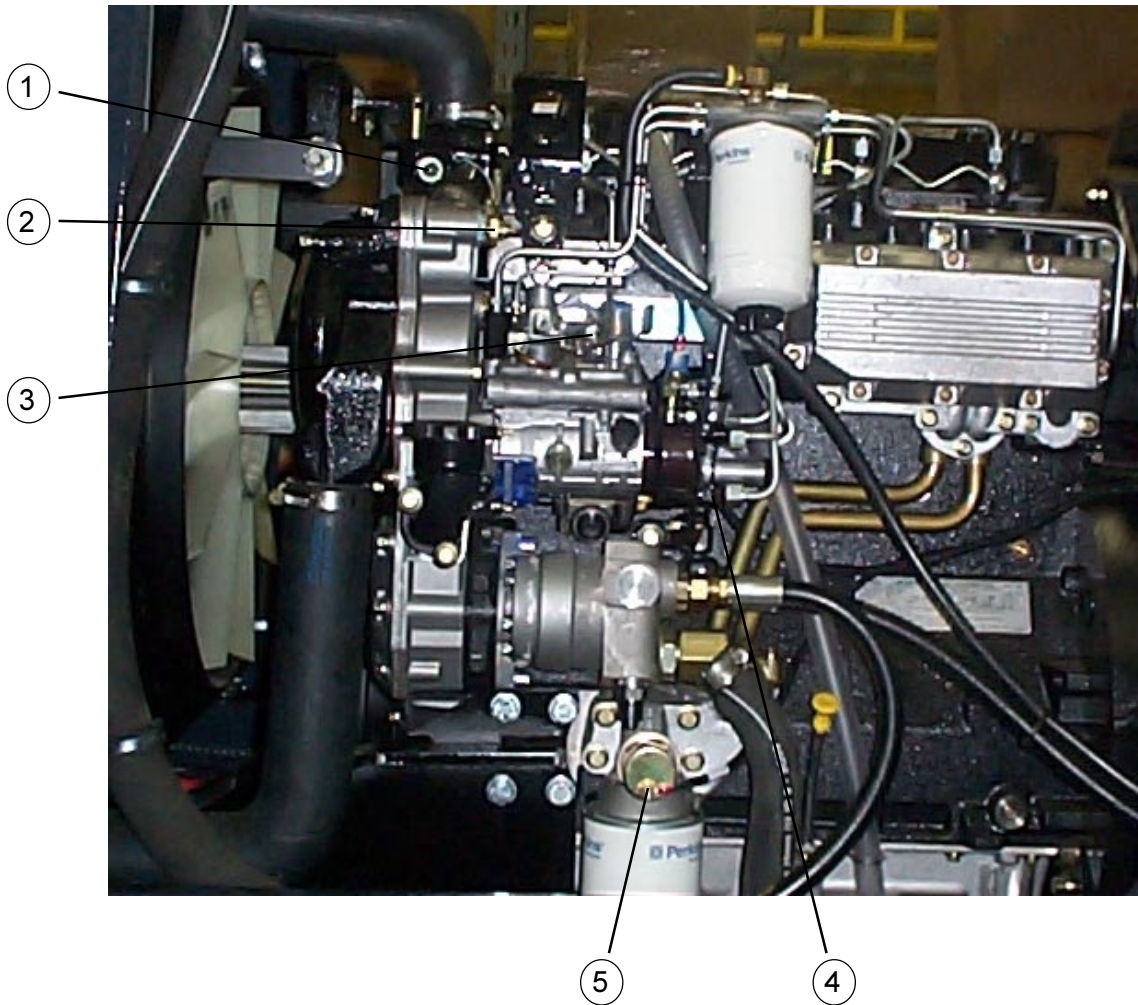
ITEM	PART NO.	DESCRIPTION	QTY
1	30581	BRG PIVOT	4
2	30582	V-RING BRG PIVOT	4
3	39783	CYLINDER 3 X 10	1
4	44203	PIN CLEVIS 1"	2
5	44204	RUE RING 1"	2
6	44458-2	GRY CAP BRG PIVOT BOTTOM	2
7	44459-2	GRY CAP MACH BRG PIVOT REAR	1
8	44464-2	GRY YOKE WELD STEERING	1
9#	44476	SHIM STL .002 THK, RECT	2
10#	44497	SHIM STL .005 THK,RND	1
11#	44498	SHIM STL .010 THK,RND	1
12#	44499	SHIM STL .030 THK,RND	1
13#	44500	SHIM STL .005 THK, RECT	2
14#	44501	SHIM STL .010 THK, RECT	2
15#	44502	SHIM STL .030 THK, RECT	2
16	46042	FITTING GREASE 1/4-28 ZN	5
17	80858	WSHR FLAT M16 X 30 ZN	12
18	80868	SHSS M8 X 10 BLK	9
19	80969	WSHRL M16 SPLIT ZN	24
20*	80992	HHCS M16-2 X 55 8.8 ZN	24

* Loctite

Shim as required

4. PARTS LIST

4.22 Electrical Switches & Senders



4. PARTS LIST

4.22 Electrical Switches & Senders

Item	Part #	Description	Quantity
1	48484	Perkins Cold Start Switch	1
2	48435	Murphy Water Temp Sender	1
3	31286	Perkins Fuel Solenoid	1
4	48485	Perkins Cold Start Advance	1
5	48434	Murphy Oil Pressure Sender	1
6	31289	Intake Heater	1
7	48449	Air Filter Switch	1

4. PARTS LIST

4.22 Electrical Switches & Senders Cont'd.



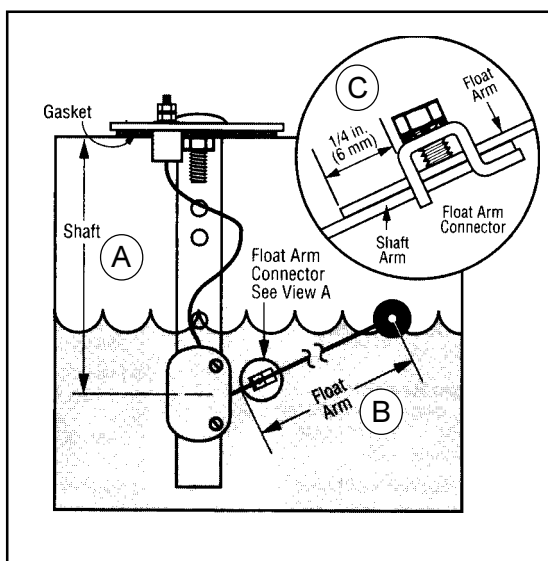
4. PARTS LIST

4.22 Electrical Switches & Senders Cont'd.

Item	Part #	Description	Quantity
1	36646	Spin-On Filter Switch	1
2	36645	In-Tank Filter Switch	1
3	48438	Hydraulic Temp Switch	1
4	48488	Eccentric Hi/Low Solenoid	1
5	48487	Transmission Neutral Switch	1
6	48486	Transmission Destroke Valve	1

4. PARTS LIST

4.22 Electrical Switches & Senders Cont'd.



Fuel level sender is factory set.

- A. Shaft length 12 1/16" (307 mm)
- B. Float arm length 14 7/8" (378 mm)
- C. Float arm connector 1/4" (6 mm)

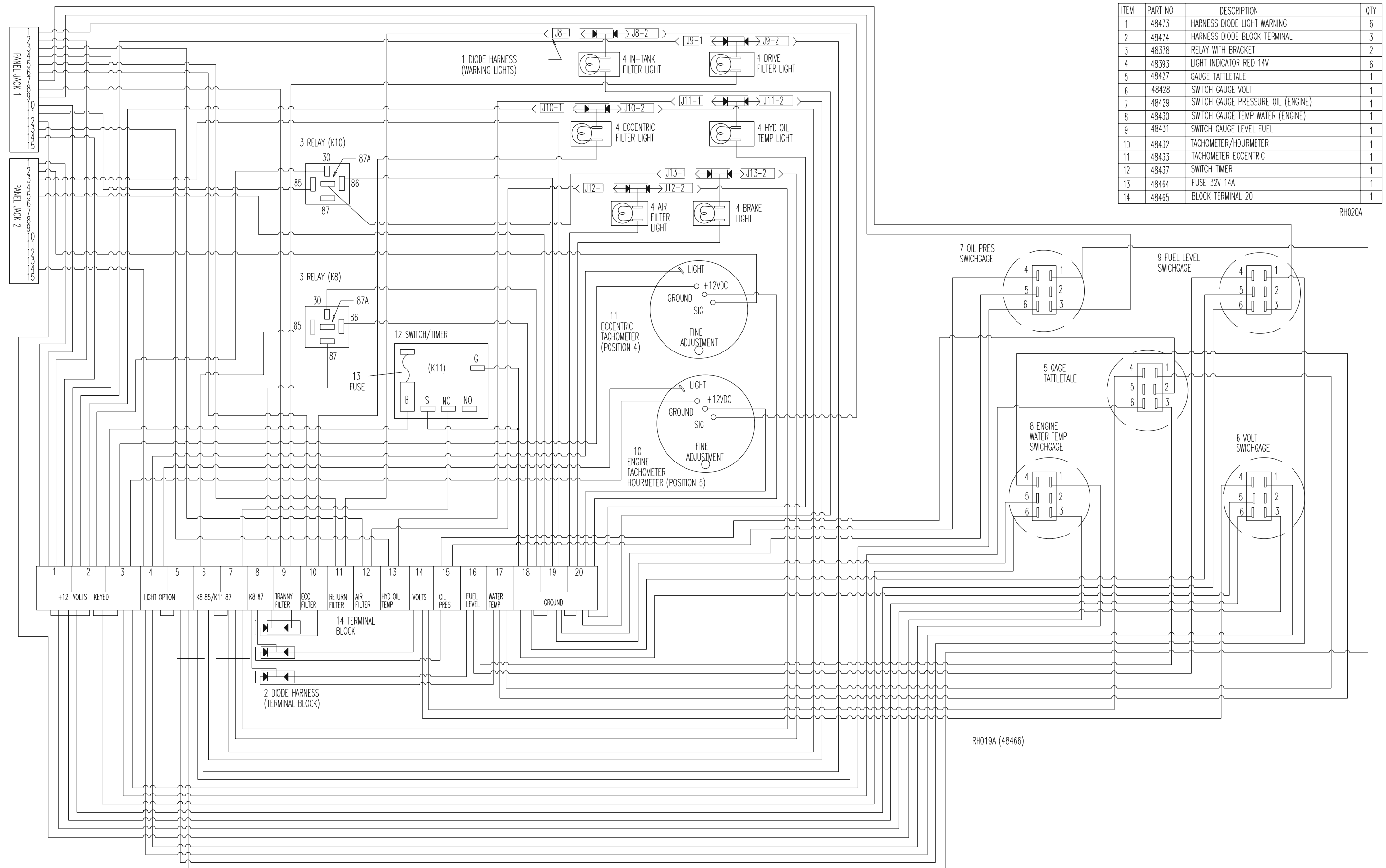
4. PARTS LIST

4.22 Electrical Switches & Senders Cont'd.

Item	Part #	Description	Quantity
1	48489	Eccentric Motor Sender	1
2	48483	Hi/Low Travel Speed Valve	1
3	48436	Sender Fuel	1

4. PARTS LIST

4.24 Electrical Wiring Instrument Panel



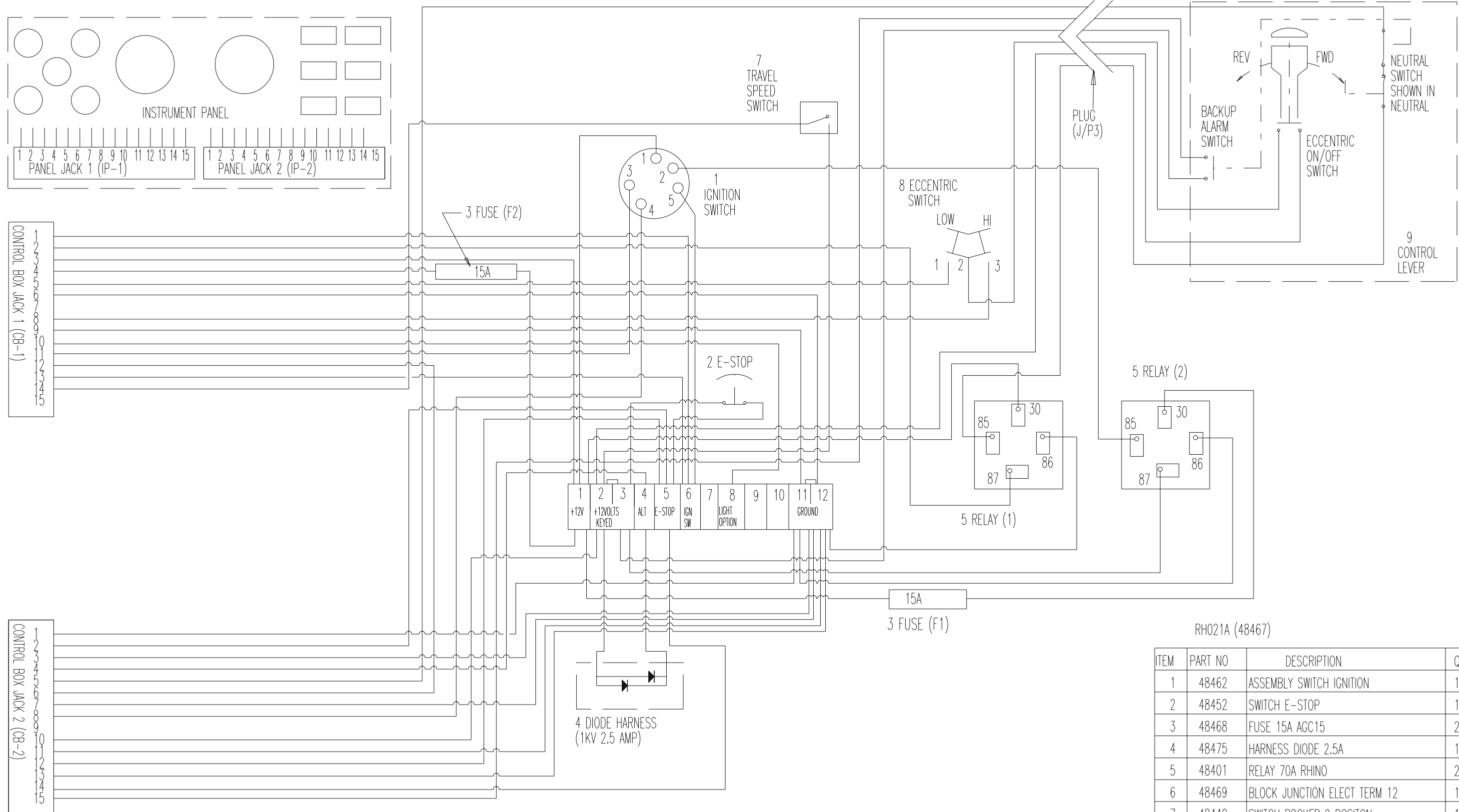
ITEM	PART NO	DESCRIPTION	QTY
1	48473	HARNES DIODE LIGHT WARNING	6
2	48474	HARNES DIODE BLOCK TERMINAL	3
3	48378	RELAY WITH BRACKET	2
4	48393	LIGHT INDICATOR RED 14V	6
5	48427	GAUGE TATTLETALE	1
6	48428	SWICH GAUGE VOLT	1
7	48429	SWICH GAUGE PRESSURE OIL (ENGINE)	1
8	48430	SWICH GAUGE TEMP WATER (ENGINE)	1
9	48431	SWICH GAUGE LEVEL FUEL	1
10	48432	TACHOMETER/HOURMETER	1
11	48433	TACHOMETER ECCENTRIC	1
12	48437	SWICH TIMER	1
13	48464	FUSE 32V 14A	1
14	48465	BLOCK TERMINAL 20	1

RH020A

RH019A (48466)

4. PARTS LIST

4.25 Electrical Wiring Control Box




RH021A (48467)


ITEM	PART NO	DESCRIPTION	QTY
1	48462	ASSEMBLY SWITCH IGNITION	1
2	48452	SWITCH E-STOP	1
3	48468	FUSE 15A AGC15	2
4	48475	HARNES DIODE 2.5A	1
5	48401	RELAY 70A RHINO	2
6	48469	BLOCK JUNCTION ELECT TERM 12	1
7	48440	SWITCH ROCKER 2 POSITON	1
8	48439	SWITCH ROCKER 3 POSITON	1
9	48476	KIT FORWARD/REVERSE LEVER	1

RH022A

4. PARTS LIST

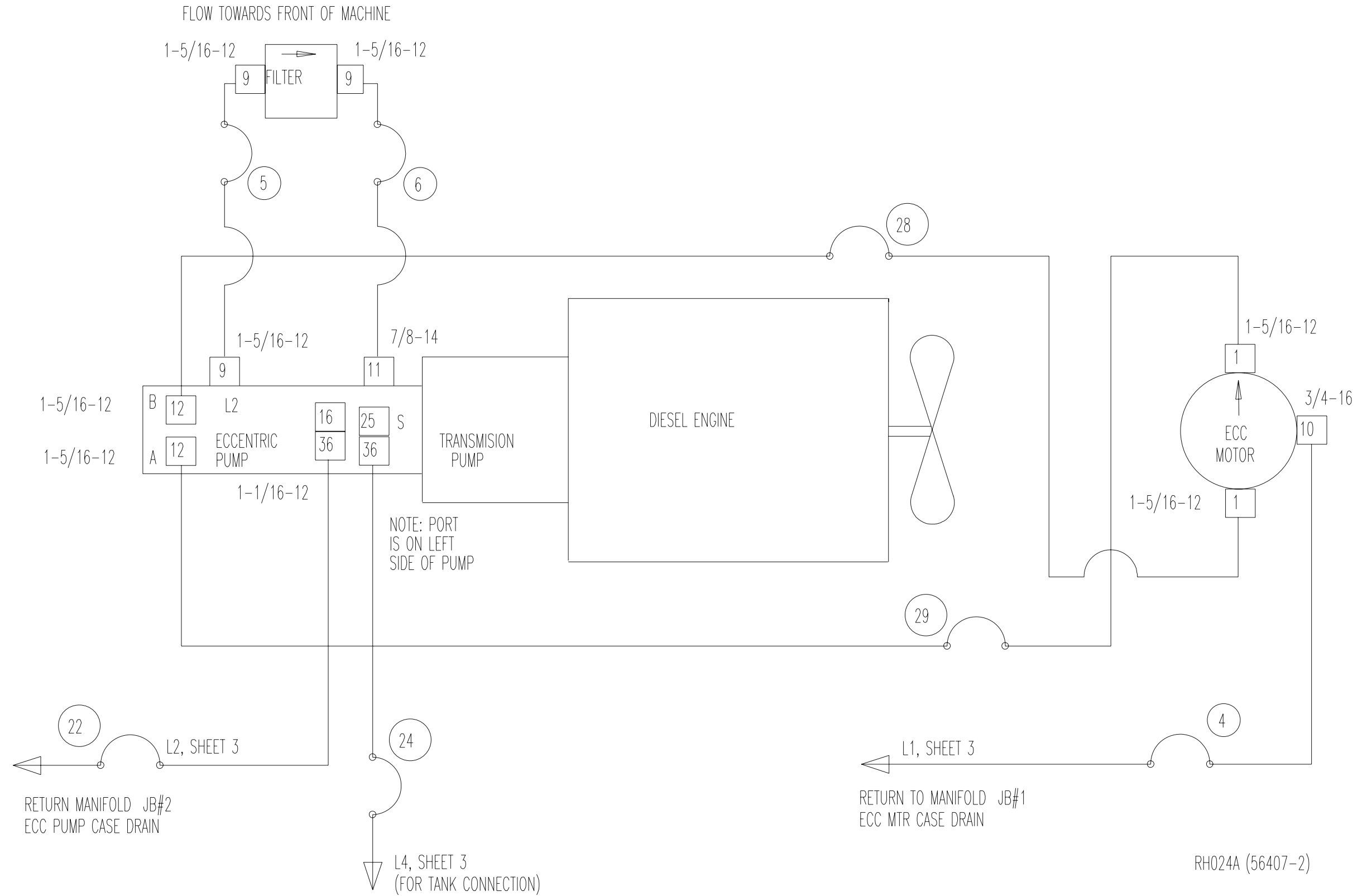
4.26 Hydraulic Hoses Parts List

HYDRAULIC FITTINGS 			
ITEM	P/N	DESCRIPTION	QTY
1	46972	ELBOW 90° 3/4" THREAD	2
2	46905	KIT FLANGE CODE 62	6
4	46970	CONNECTOR 3/8" THREAD STRAIGHT METRIC	1
5	46971	TEE BRANCH 3/8" NUT SWIVEL	1
6	46617	ELBOW 90° 1/2" THREAD STRAIGHT	1
7	47497	ELBOW 90° 1/2" THREAD PIPE	2
8	46584	ELBOW 90° 3/4" THREAD STRAIGHT	2
9	46973	CONNECTOR 1/2" THREAD STRAIGHT	6
10	46579	CONNECTOR 1/2" THREAD STRAIGHT	9
11	46582	ELBOW 90° 1/2" THREAD STRAIGHT	3
12	46974	CONNECTOR 3/4" TRHEAD STRAIGHT	2
13	47508	FITTING HYD BULKHEAD	2
14	46585	CONNECTOR 1/2" THREAD STRAIGHT	3
15	46976	ELBOW 45° 1" BEADED THEAT STRAIGHT	2
16	46977	ELBOW 90° 1" BEADED THEAT STRAIGHT	1
17	45008	CONNECTOR 3/8" THREAD STRAIGHT	1
18	45009	ELBOW 3/8" THREAD STRAIGHT	3
19	46980	TEE RUN 1/2" THREAD STRAIGHT	1
20	46981	ELBOW 45° 3/4" BEADED THREAD STRAIGHT	2
21	46982	ELBOW 90° 1" BEADED THREAD STRAIGHT	2
22	46983	STRAIGHT 1" BEADED THREAD STRAIGHT	2
23	46984	STRAIGHT 1-1/4 BEADED THREAD STRAIGHT	1
24	46985	ELBOW 90° 1-1/4" BEADED THREAD STRAIGHT	1
25	46986	ELBOW 90° 1" BEADED THREAD STRAIGHT	5
26	46987	TEE BRANCH 3/8" THREAD STRAIGHT METRIC	2
27	46581	ELBOW 90° 1/2" THREAD STRAIGHT	3
28	46988	ELBOW 90° 3/4" BEADED THREAD STRAIGHT	2
29	46910	CONNECTOR 1/2" PIPE MALE	1
30	46989	ELBOW 90° 1/2" PIPE MALE	1
31	39792	MANIFOLD RETURN	1
32	36419	MANIFOLD JUNCTION	1
33	36621	MANIFOLD SANDWICH CODE 62	2
35	45000	CLAMP HOSE 3/4"	4
36	45001	CLAMP HOSE 1"	12
37	45002	CLAMP HOSE 1-1/4"	2
38	47498	ST 1/2 " PIPE MALE	2

HYDRAULIC HOSES 			
ITEM	P/N	DESCRIPTION	QTY
①	46990	HOSE HYD 12 A9016 S12 H 111"	1
②	46991	HOSE HYD DK A9016 S12 H 129"	1
③	46992	HOSE HYD 16 A6016 H 74.5"	2
④	46993	HOSE HYD A458 S8 M 120"	1
⑤	46994	HOSE HYD 8 A908 A908 M 38.5"	1
⑥	46995	HOSE HYD 8 A908 A458 M 37.5"	1
⑦	46996	HOSE HYD 16 0 0 L 24.5"	1
⑧	46997	HOSE HYD 6 S6 A456 M 123"	1
⑨	46998	HOSE HYD 6 S6 A908 M 40"	1
⑩	46999	HOSE HYD 16 0 0 L 42.5"	1
⑪	47468	HOSE HYD 8 S8 A908 M 44"	1
⑫	47469	HOSE HYD 8 A908 A908 M 44.5"	1
⑬	47470	HOSE HYD 8 S8 A908 M 103"	1
⑭	47471	HOSE HYD 6 A906 A906 M 44"	1
⑮	47500	HOSE HYD 8 A908 S8 H 82"	2
⑯	47473	HOSE HYD 8 S8 S8 M 113.5"	1
⑰	47474	HOSE HYD 8 S8 A908 M 66.5"	1
⑱	47475	HOSE HYD 0 0 L 18.5"	1
⑲	47476	HOSE HYD 12 0 0 L 29"	1
⑳	47477	HOSE HYD 6 S6 S6 M 12"	1
㉑	47478	HOSE HYD 16 0 0 L 74"	1
㉒	47479	HOSE HYD 16 0 0 L 15.5"	1
㉓	47480	HOSE HYD 16 0 0 L 99"	1
㉔	47481	HOSE HYD 16 0 0 L 23"	1
㉕	47482	HOSE HYD 8 S8 S8 M 64.5"	1
㉖	47483	HOSE HYD 8 S8 A908 M 67"	1
㉗	47484	HOSE HYD 6 S6 A906 M 51"	1
㉘	47485	HOSE HYD 12 S12 A9012 M 192"	1
㉙	47486	HOSE HYD 12 S12 A9012 M 200"	1
㉚	47487	HOSE HYD 20 0 0 L 84.5"	1
㉛	47490	HOSE HYD 8 S8 S8 M 80"	1
㉜	47489	HOSE HYD 8 S8S8 M 95"	1
㉝	47501	HOSE HYD 8 S8 S8 H 69"	2
㉞	47502	HOSE HYD 8 S8 S8 H 95.5"	2
㉟	47492	HOSE HYD 8 S8 S8 M 36.5"	1
㊱	47496	HOSE HYD 6 A908 S6 M 22.5"	1

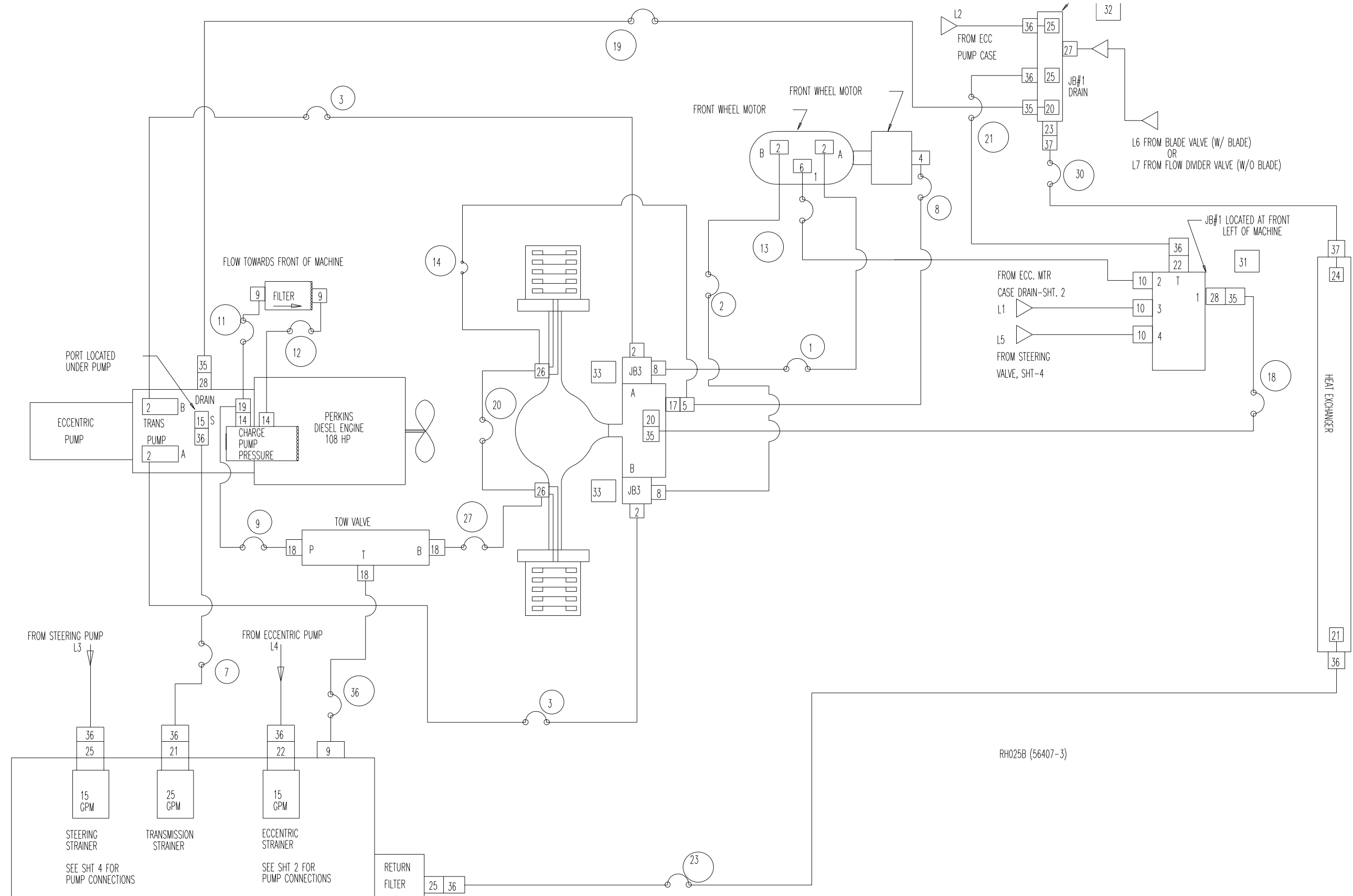
RH023B.PRT (56407-1)

4. PARTS LIST

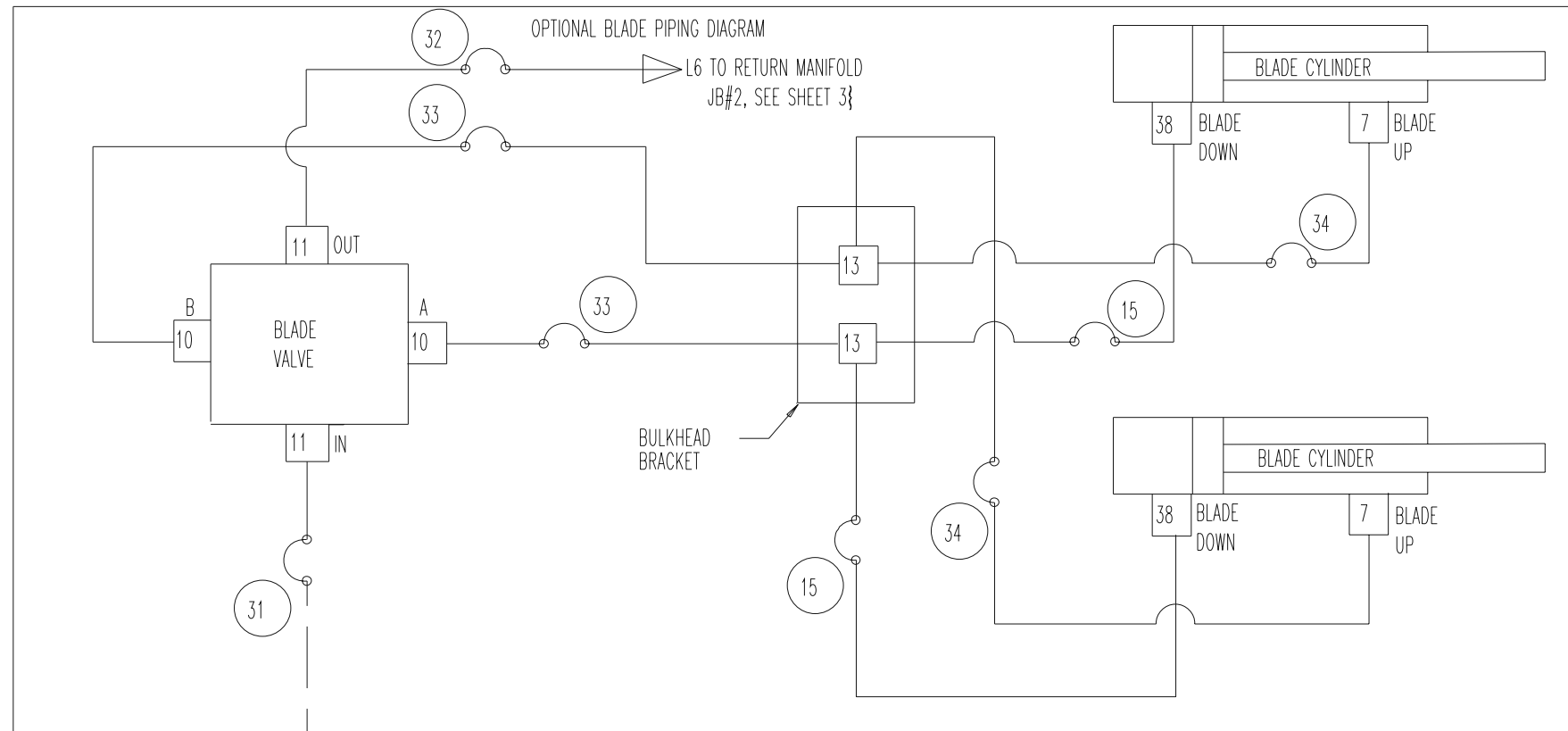


4. PARTS LIST

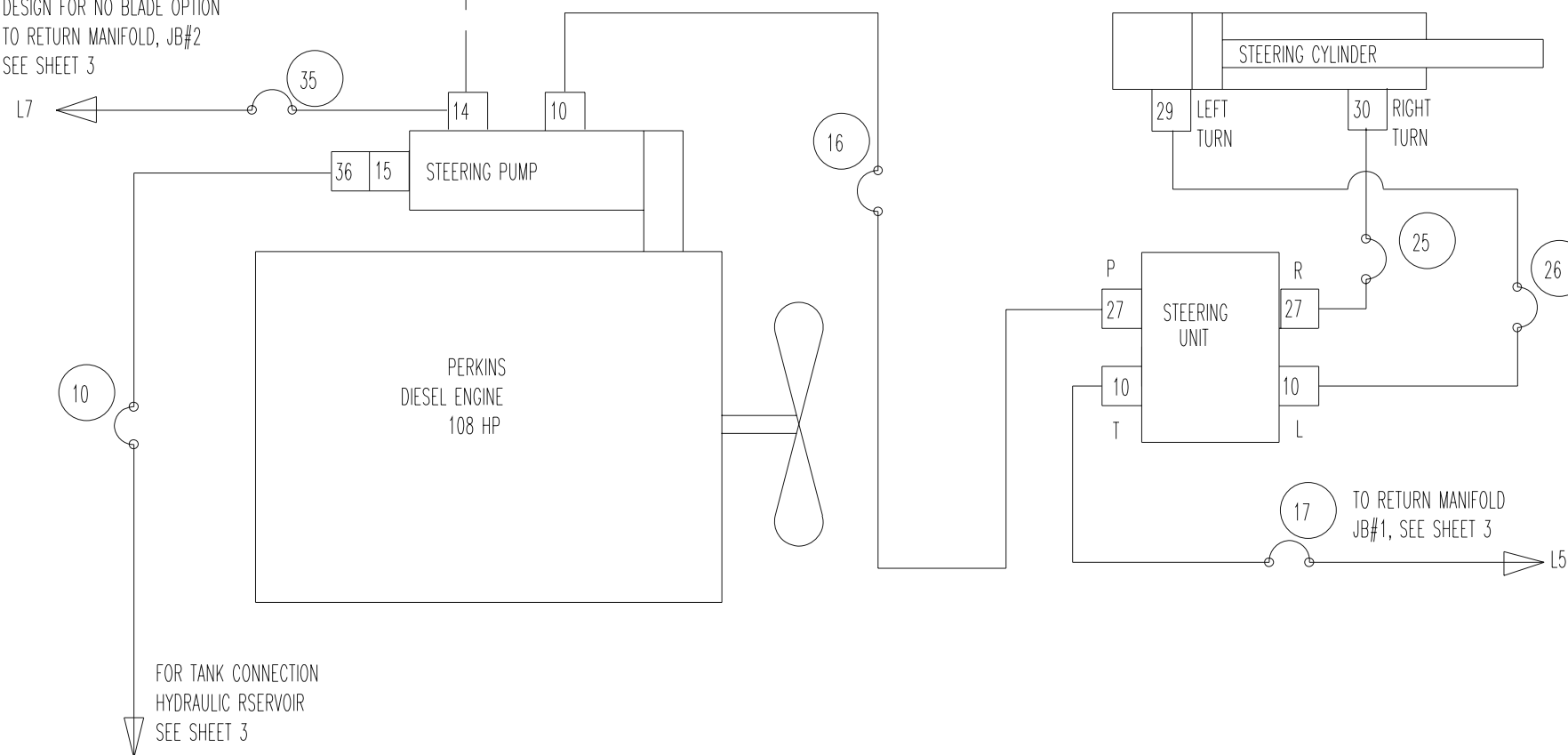
4.28 Piping Transmission



4. PARTS LIST



DESIGN FOR NO BLADE OPTION
TO RETURN MANIFOLD, JB#2
SEE SHEET 3



RH026A (56407-4)

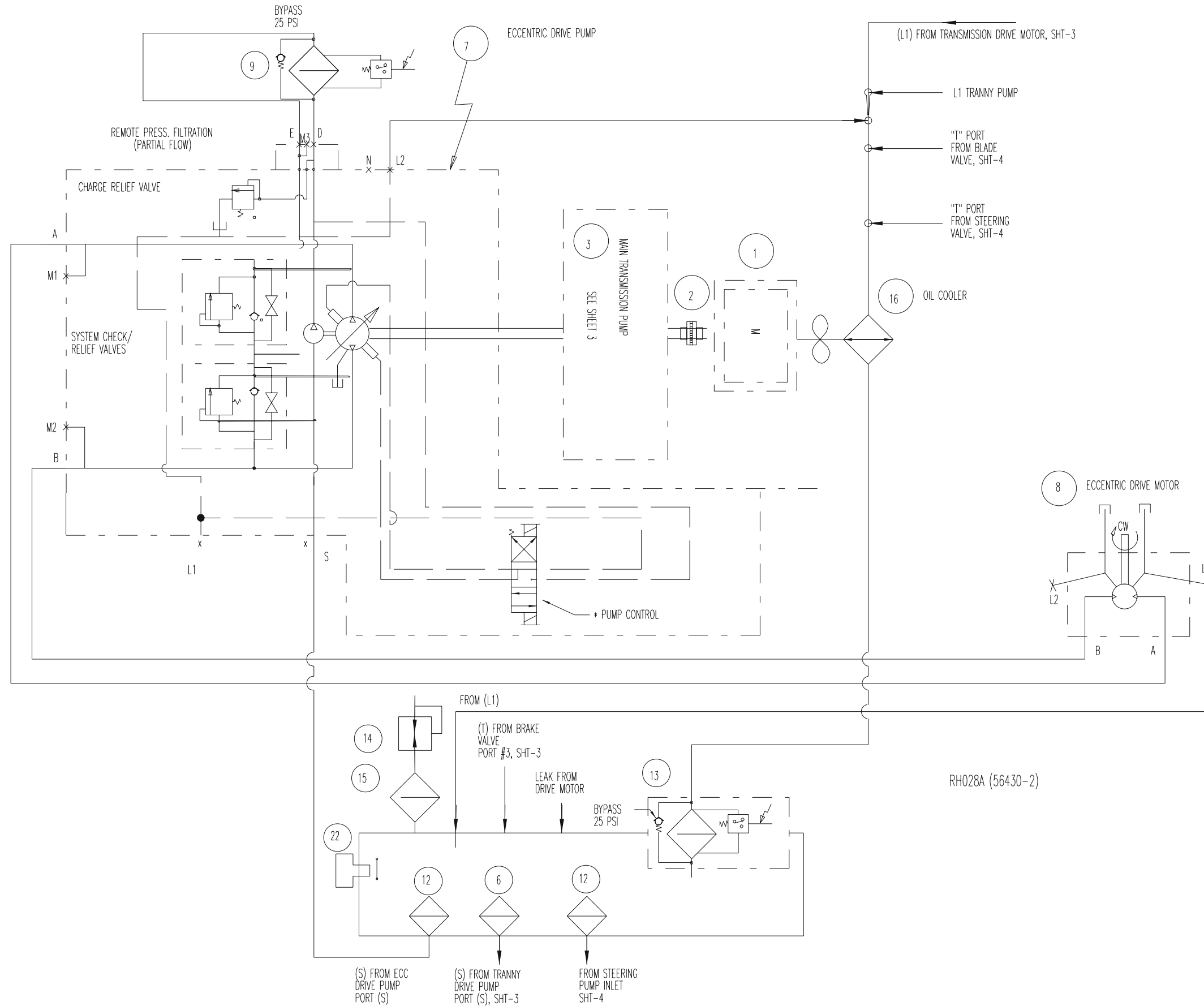
4. PARTS LIST

ITEM	QTY	STONE P/N	DESCRIPTION
1	1	31274	ENGINE DIESEL
2	1	36518	SET COUPLING DRIVE
3	1	36505	PUMP TRANSMISSION
4	1	36464	MOTOR DRIVE DRUM
5	1	36528	MOTOR DRIVE AXLE
6	1	39789	STRAINER-DRIVE PUMP 25 GPM
7	1	36506	PUMP ECCENTRIC 2.48 CIR
8	1	36501	MOTOR ECCENTRIC
9	2	36522	ASSEMBLY FILTER SPIN-ON
10	1	36567	PUMP GEAR STEERING
11	1	36548	VALVE STEERING CONTROL
12	2	39788	STRAINER SUCTION 15 GPM
13	1	36519	FILTER RETURN IN-TANK
14	1	46934	BREATHER HYDRAULIC
15	1	46951	STRAINER BASKET
16	1	39784	COOLER/HEAT EXHANGER
17	1	36667	MANIFOLD RELEASE BRAKE
18	1	39783	CYLINDER STEERING
19	2	38084	CYLINDER BLADE
20	1	38526	VALVE BLADE MANUAL
21	2	36621	MANIFOLD CODE 62 SANDWICH
22	1	48438	SWITCH TEMP HYDRAULIC

RH027A.PRT (56430-1)

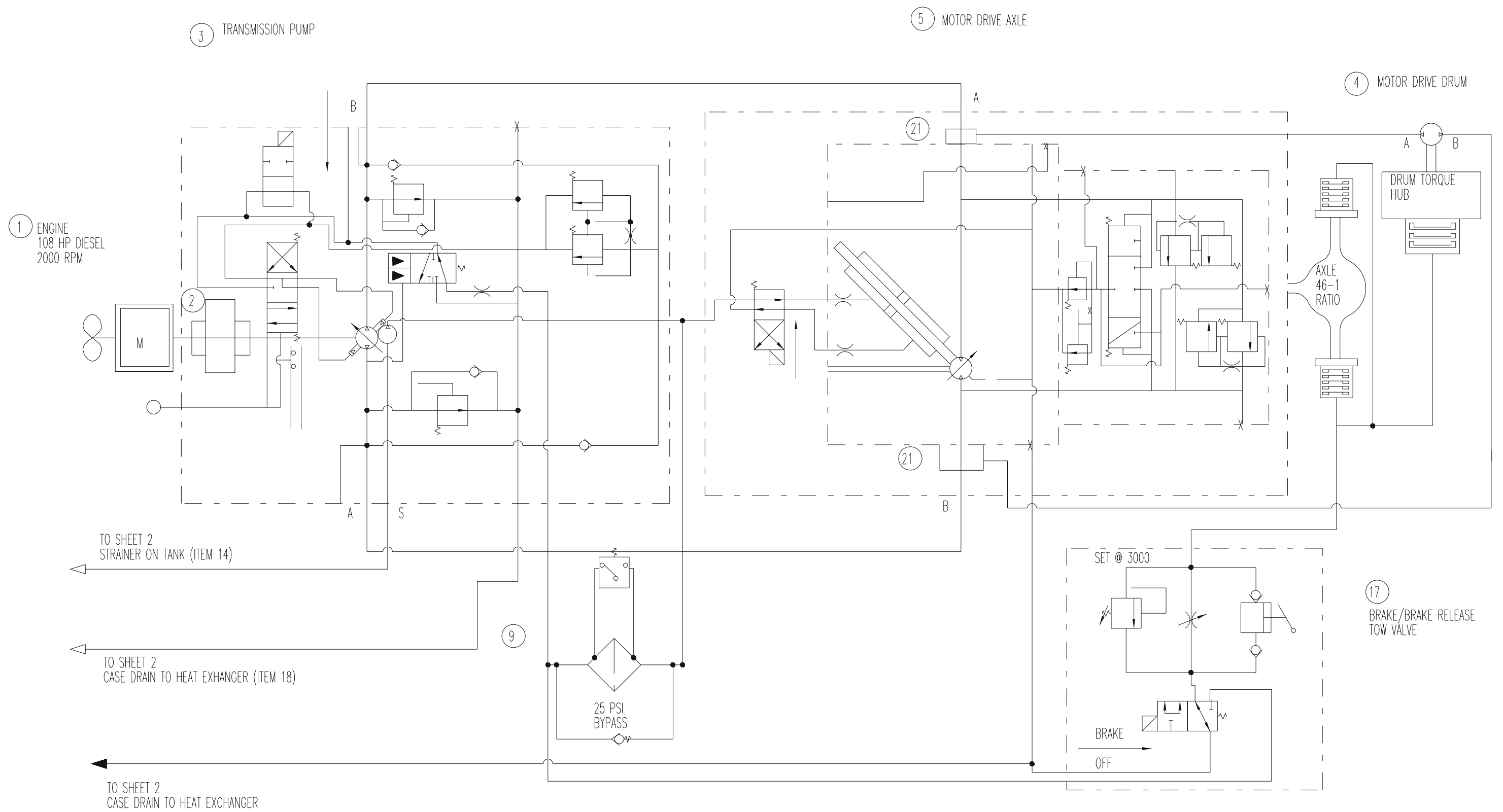
4. PARTS LIST

4.31 Hydraulic Schematic Eccentric



4. PARTS LIST

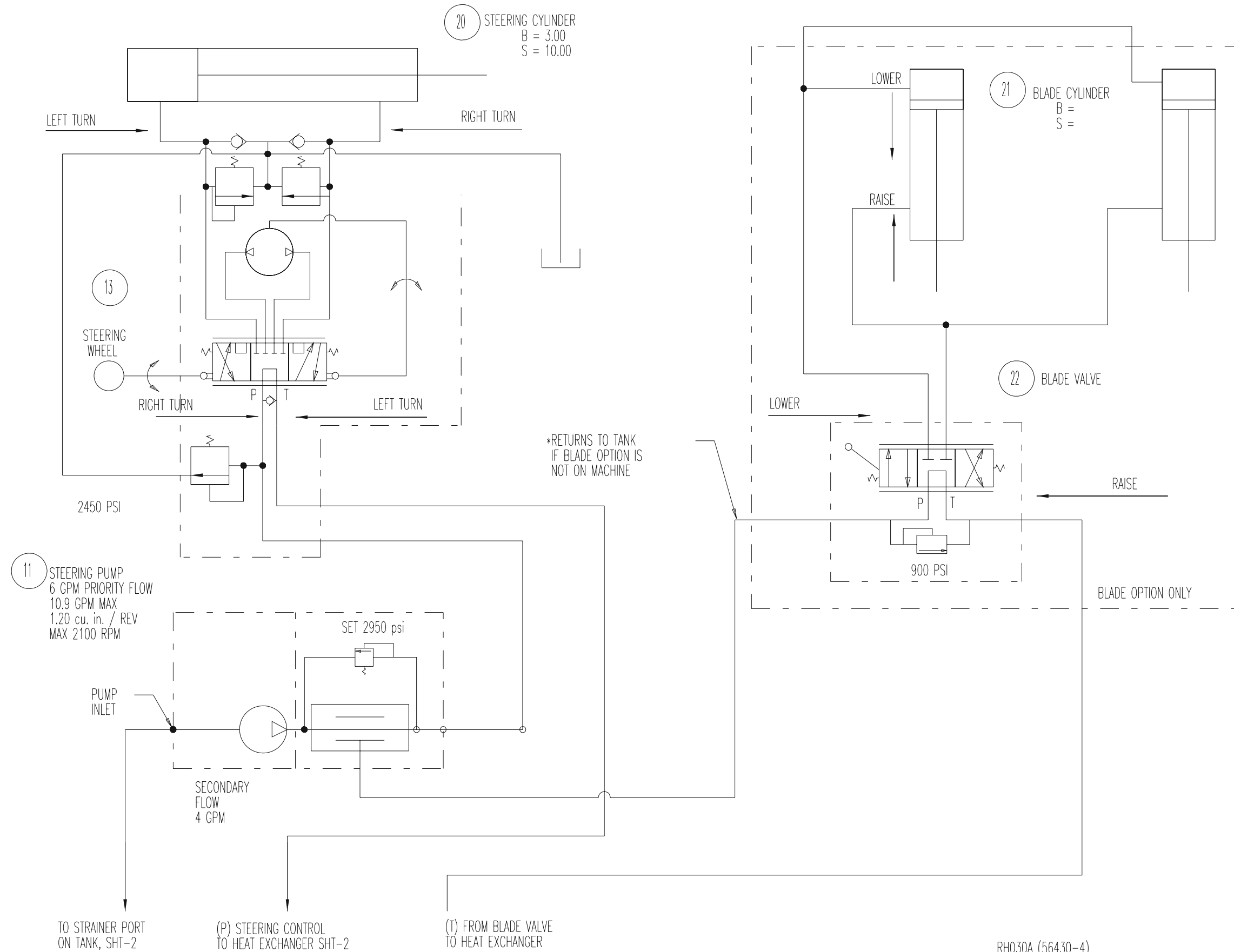
4.32 Hydraulic Schematic Drive



RH029A (56430-3)

4. PARTS LIST

4.33 Hydraulic Schematic Steering / Blade



4. PARTS LIST

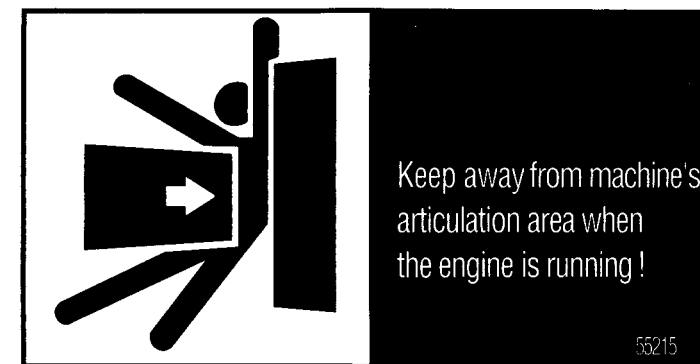
4.34 Decal Identification



1



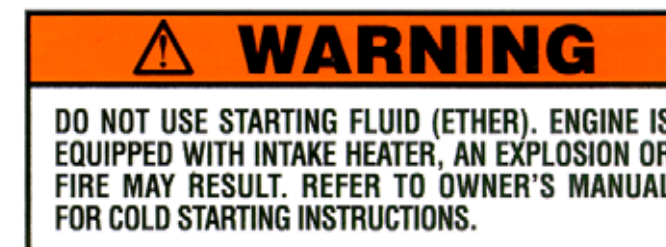
2



3



4



5



55422

6

4. PARTS LIST

4.34 Decal Identification

Item	Part #	Description	Quantity
#	55116	Decal Stone Eagle 8 1/2	1
1	55148	Decal Warning Diesel	1
#	55201	Decal Stone Eagle 21-1/2	1
2	55212	Decal Tie Down Only	4
3	55215	Decal Warning Pinch Point	2
4	55371	Decal Hot Surfaces Deere	1
5	55372	Decal Warning No Ether Deere	1
6	55422	Decal Hydraulic Fluid Mobil 424	1

4. PARTS LIST

4.34 Decal Identification Cont'd.

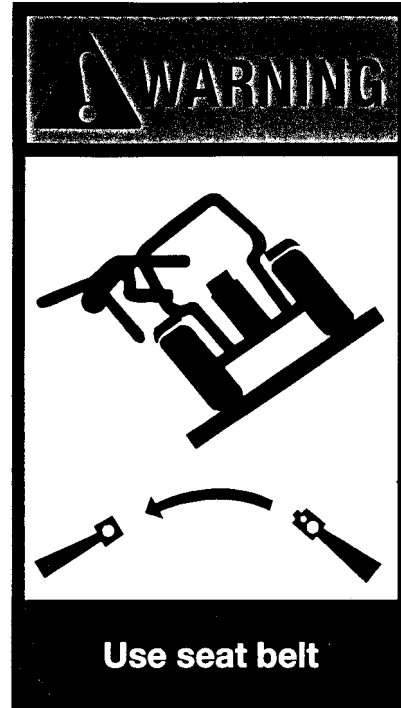
WARNING

FOLLOW PROCEDURES IN ORDER OR PERSONAL INJURY MAY OCCUR. TOW THE ROLLER IN AN EMERGENCY ONLY. DO NOT DRAG THE ROLLER OR DRUM AND TIRE DAMAGE MAY OCCUR.

1. STOP ENGINE ON FIRM LEVEL GROUND, CHOCK DRUM AND TIRES TO PREVENT MOVEMENT.
2. REMOVE BATTERY ISOLATOR KEY LOCATED AT RIGHT REAR OF THE ENGINE TO PREVENT STARTING.
3. LOCATE RED BYPASS LEVER ON THE BOTTOM OF AXLE MOTOR, UNDER MACHINE, REMOVE BOLT AND TURN LEVER 90 DEGREES TO 9:00 (BYPASS), SAVE BOLT, THREAD INTO LEVER.
4. LOCATE RED BRAKE VALVE KNOB IN ENGINE COMPARTMENT ON THE RIGHT, TURN FULLY CLOCKWISE, DO NOT OVER TIGHTEN.
5. REMOVE PUMP HANDLE FROM THE RIGHT OF ENGINE HOOD.
6. USE HANDLE TO PUMP BRAKE RELEASE VALVE UNTIL GREAT RESISTANCE IS FELT.
7. ATTACH 10 TON TOW CABLES/CHAINS TO TIE DOWN POINTS AND TENSION.
8. CAREFULLY REMOVE BLOCKS FROM DRUM AND TIRES, TOW AT 2 MPH MAXIMUM.
9. IMMEDIATELY AFTER TOWING, CHOCK DRUM AND TIRES ON FLAT LEVEL GROUND AND RE-INSTATE BRAKES.
10. TURN RED BRAKE VALVE KNOB FULLY COUNTERCLOCKWISE. (MUST PERFORM STEP 10 BEFORE STEP 11)
11. RETURN RED BYPASS LEVER ON THE BOTTOM OF AXLE MOTOR TO 6:00 (RUN), INSTALL BOLT TO SECURE.
12. RE-INSTATE BATTERY ISOLATOR KEY AND PUMP HANDLE.

55445C

7



8

WARNING

This structure's protective capability may be impaired by structural damage, overturn, or alteration. If any of these conditions occur, the structure must be replaced.

9

equipped with **noSPIN[®] detroit locker[®]** differential

CAUTION

MECHANIC/OPERATOR:

When servicing wheels, brakes, axles or tires turn the engine off and raise all driving wheels of a NoSPIN differential equipped axle.

Use a retaining bolt or some other restraining means then separating the differential case halves.

Do not operate the vehicle if both wheels are not driving when a NoSPIN differential equipped axle is powered and the vehicle is moving in a straight line.

Use extreme caution when accelerating or decelerating on slippery or unstable surfaces.

Distribute the load evenly side-to-side; do not exceed the vehicle's rated payload capacity; keep the diameter of the tires equal.

Operate in low gear when coasting downhill into a turn.

IMPORTANT: Re-read the cautionary notices referenced above and refer to the "Warnings and Precautions" section of the NoSPIN differential Owners Manual. Failure to heed these instructions can result in a mishap which can cause property damage, personal injury, even death.

**Tractech
Inc.**

R027 (11/98)

10

4. PARTS LIST

4.34 Decal Identification Cont'd.

Item	Part #	Description	Quantity
#	55433	Decal Instrument SD/PD66	1
#	55434	Decal Blade PD66	1
#	55435	Decal Ignition SD/PD66	1
#	55436	Decal Throttle SD/PD66	1
#	55437	Decal Hood RH SD/PD66	1
#	55438	Decal Hood LH SD/PD66	1
#	55439	Decal Maintenance SD/PD66	1
#	55440	Decal Rhino Stone SD/PD66	2
#	55442	Decal Stripe Rear	1
#	55443	Decal Stripe Front	1
#	55444	Decal Cover No Blade	1
7	55445	Decal Warning Tow	1
8	55449	Decal Use Seat Belt	1
9	55450	Decal Warning Structural Damage	1
10	55451	Decal Caution No Spin	1