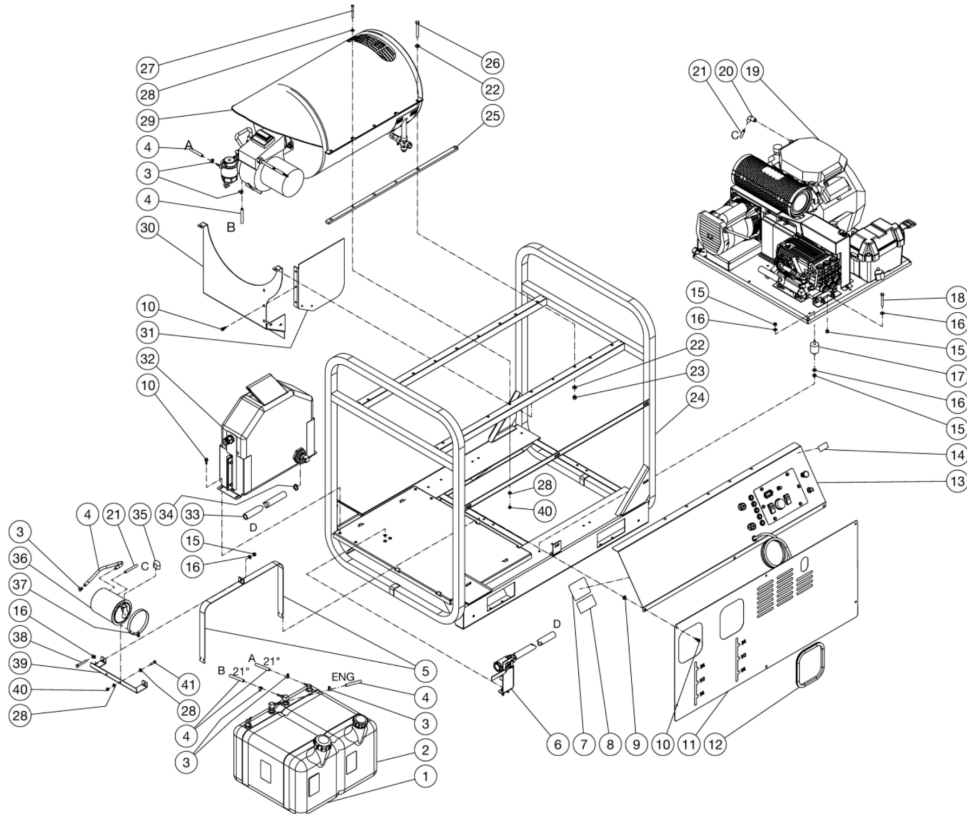




HDS-4005-0H6A / HDS-4005-0H6A (sn:0-99999999)

UNIT ASSY



Id	Item #	Description	Quantity	Rev	Comments
1	N/A	GAS TANK ASSEMBLY	1		
1	N/A	DIESEL FUEL TANK ASSY	1		
2	N/A	BURNER FUEL TANK ASSEMBLY	1		
3	42-0004	CLAMP WORM (GASOLINE MODELS)	7		
3	42-0004	CLAMP WORM (DIESEL MODELS)	8		
4	15-0008	FUEL HOSE *(ELEVEN FEET REQUIRED)	1		
5	20-0585A18	TANK STRAP	4		
6	N/A	BALL VALVE ASSEMBLY	1		
7	N/A	DECAL - DATA PLATE	1		
8	N/A	DECAL- SILVER STICKER	1		
9	30-6027	CLIP NUT	6		
10	27-1200	BOLT (3008 GASOLINE MODELS)	15		

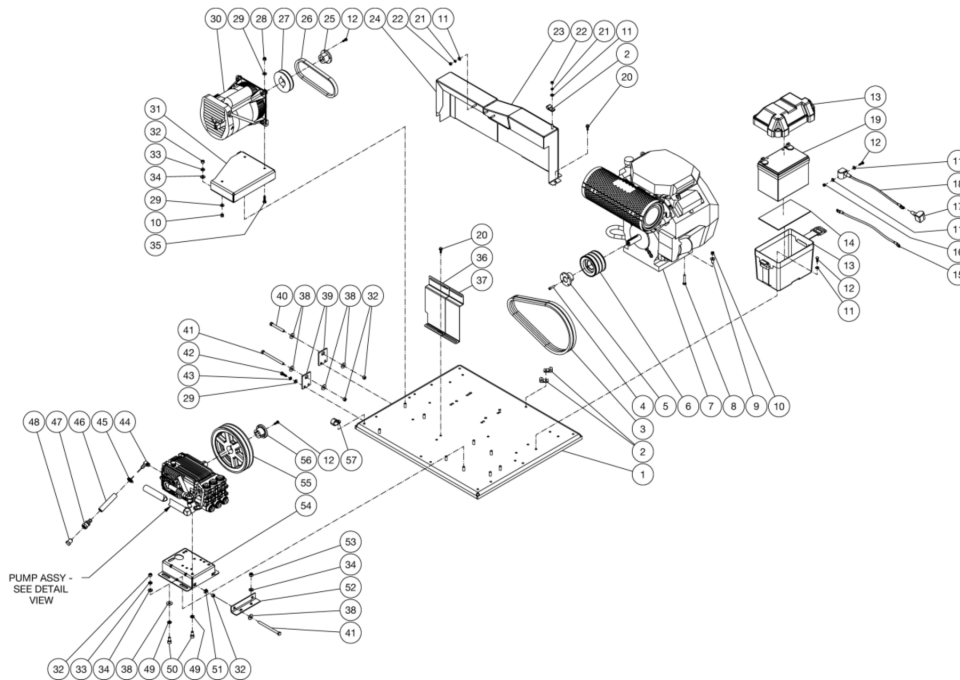
Id	Item #	Description	Quantity	Rev	Comments
10	27-1200	BOLT	10		
11	21-0146	FRONT COVER PANEL	1		
12	33-0020	EDGING *(FIVE FEET REQUIRED)	1		
13	N/A	CONTROL PANEL ASSEMBLY (GASOLINE MODELS)	1		
13	N/A	KUBOTA CONTROL PANEL ASSY (DIESEL MODELS)	1		
14	34-3553	DECAL - MADE IN USA	1		
15	30-0157	LOCKNUT	20		
16	28-0003	WASHER	22		
17	14-0110	ISOLATOR	8		
18	27-0073	BOLT	2		
19	N/A	ISOLATION PLATE ASSEMBLY (GASOLINE MODELS)	1		
19	N/A	KUBOTA ISO PLATE (DIESEL MODELS)	1		
20	62-0229	AIR CLEANER ADAPTER (HONDA MODELS)	1		
21	15-0261	FUEL HOSE *(SEVEN FEET REQUIRED) (GASOLINE MODELS)	1		
22	28-0004	WASHER	12		
23	30-0159	LOCKNUT	6		
24	5-0275A18	FRAME (GASOLINE MIDELS)	1		
24	N/A	KUBOTA SKID FRAME ASSY (DIESEL MODELS)	1		
25	20-0939A18	SHIM (3008 DIESEL MODELS)	2		
26	27-0576	BOLT	6		
27	27-0022	BOLT	4		
28	28-0002	WASHER (GASOLINE MODELS)	12		
28	28-0002	WASHER (DIESEL MODELS)	8		
29	N/A	HEAT EXCHANGER ASSEMBLY (3005, 3006, 3505, 3506)	1		
29	N/A	HDS 4005 HEAT EXCHANGER ASSY (4005)	1		
29	N/A	HDS 3008 HEAT EXCHANGER ASSY (3008)	1		
30	20-1098A18	HEAT SHIELD (3008 GASOLINE MODELS)	1		
31	20-1099A18	HEAT SHIELD SIDE (3008 GASOLINE MODELS)	1		
32	N/A	FLOAT TANK ASSEMBLY	1		
33	15-0033	HOSE *(FOUR FEET REQUIRED)	1		
34	42-0003	HOSE CLAMP	1		
35	62-0218	BREATHER VENT COVER (GASOLINE MODELS)	1		
36	62-0212	CARB CANISTER (GASOLINE MODELS)	1		
37	20-1187A01	CARB CANISTER STRAP (GASOLINE MODELS)	2		
38	27-0072	BOLT (GASOLINE MODELS)	2		
39	20-1197A18	CARB CANISTER MOUNT (GASOLINE MODELS)	1		
40	30-0155	LOCKNUT (GASOLINE MODELS)	6		
40	30-0155	LOCKNUT (DIESEL MODELS)	4		
41	27-0016	BOLT (GASOLINE MODELS)	2		

Id	Item #	Description	Quantity	Rev	Comments
		*MUST ORDER IN ONE FOOT LENGTHS			



HDS-4005-0H6A / HDS-4005-0H6A (sn:0-99999999)

ISOLATION PLATE



Id	Item #	Description	Quantity	Rev	Comments
1	5-0170A18	ISOLATION PLATE	1		
2	43-0003	CLIP	3		
3	11-0052	BELT (3005/3008/3505/4005)	2		
3	11-0050	BELT (3506)	2		
4	27-0850	BOLT	2		
5	9-0005	BUSHING (3005-0V6G/3505-1H6G/3505-0V6A_G/3506-1H6G/4005-2H6G)	1		
5	9-0007	BUSHING (3008-0K6G/3505-0K6A_G/3506-0K6A_G/40005-0K6A/4005-1K6G)	1		
5	9-0010	BUSHING (3005-0K6G/3008-1H6G)	1		
6	10-0011	SHEAVE (3008)	1		
6	10-0061	SHEAVE (3005/505/3506/4005)	1		
7	850-0293	ENGINE (3008-0K6G/3506-0K6A_G/4005-0K6A/4005-1K6G)	1		
7	850-0294	ENGINE (3005-0V6G)	1		
7	850-0295	ENGINE (3505-0V6A_G)	1		
7	850-0332	ENGINE (3005-0K6G)	1		

Id	Item #	Description	Quantity	Rev	Comments
7	850-0333	ENGINE (3505-0K6A_G)	1		
7	850-0393	ENGINE (3505-1H6H/3506-1H6G/4005-2H6G)	1		
7	850-0394	ENGINE (3008-1H6G)	1		
8	27-0070	BOLT (HONDA/ VANGUARD ENGINES)	4		
8	27-0120	BOLT (KOHLER ENGINE)	4		
9	33-0169	SHIM (HONDA ENGINE)	4		
9	28-0003	WASHER (VANGUARD ENGINE)	4		
9	28-0004	WASHER (KOHLER ENGINE)	4		
10	30-0157	LOCKNUT (HONDA/ VANGUARD UNITS)	4		
10	30-0159	NUT (KOHLER UNITS)	4		
11	28-0002	WASHER	10		
12	27-0015	BOLT	9		
13	33-0092	BATTERY BOX	1		
14	33-0509	RUBBER PAD	1		
15	32-9113	CABLE	1		
16	30-0155	LOCKNUT	1		
17	33-0004	BATTERY CABLE COVER	1		
18	32-9114	CABLE	1		
19	N/A	BATTERY (NOT SHIPPED WITH UNIT)	1		
20	27-1200	BOLT	6		
21	29-0006	LOCKWASHER	4		
22	30-0002	NUT	4		
23	6-0092A18	PUMP BELTGUARD	1		
24	6-0091A18	GENERATOR BELTGUARD	1		
25	9-0033	BUSHING	1		
26	11-0048	ALT BELT (3005/3505/3506/4005)	1		
26	11-0074	ALT BELT (3008)	1		
27	10-0028	SHEAVE (3005/3505/3506/4005)	1		
27	10-0039	SHEAVE (3008)	1		
28	30-0157	LOCKNUT	3		
29	28-0003	WASHER	7		
30	850-0352	ALTERNATOR	1		
31	20-0583A18	ALTERNATOR HAT	1		
32	30-0006	NUT	11		
33	29-0008	LOCKWASHER	7		
34	28-0004	WASHER	9		
35	27-0068	BOLT	3		
36	20-1642A18	BRACKET	1		

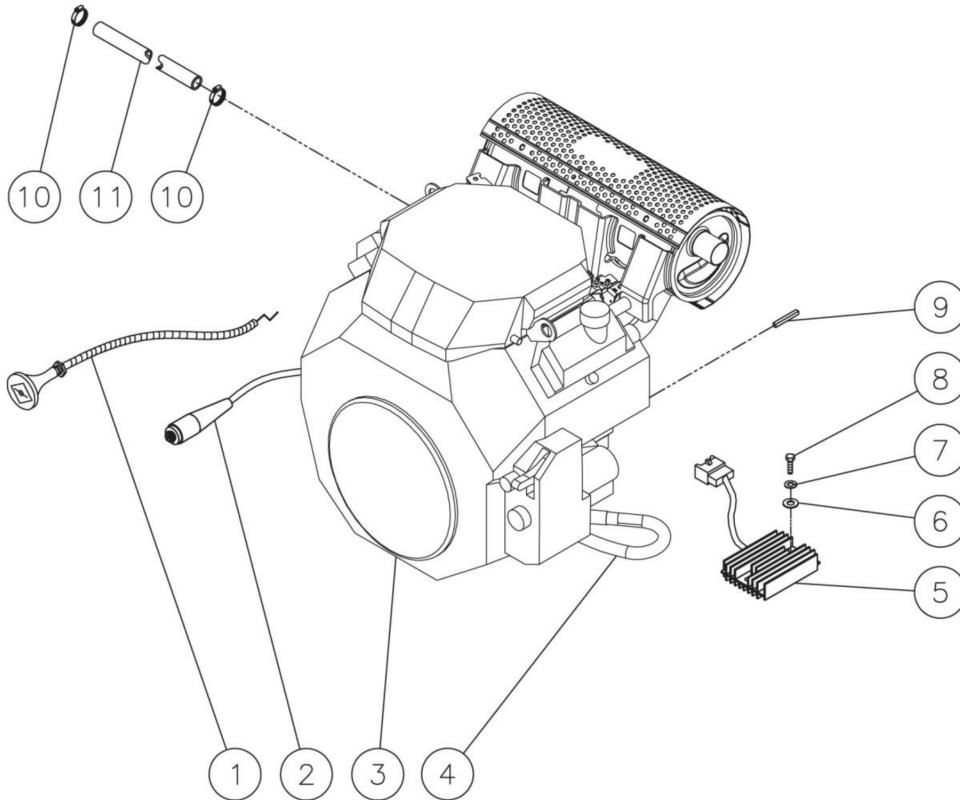
Id	Item #	Description	Quantity	Rev	Comments
37	20-0589A18	BELTGUARD COVER	1		
38	28-0023	WASHER	7		
39	20-0587A18	TENSION BRACKET	2		
40	27-0576	BOLT	1		
41	27-0133	BOLT	3		
42	27-0067	BOLT	4		
43	29-0007	LOCKWASHER	4		
44	23-0119	ELBOW	1		
45	42-0011	HOSE CLAMP	1		
46	15-0305	HOSE *(TWO FEET REQUIRED)	1		
47	23-0360	HOSE BARB	1		
48	23-0411	PLUG	1		
49	29-0055	LOCKWASHER (A/R MODELS)	4		
49	29-0054	LOCKWASHER (GENERAL MODELS)	4		
50	27-8471	BOLT (A/R MODELS)	4		
50	27-8884	BOLT (GENERAL MODELS)	4		
51	30-6025	CLIP NUT	2		
52	20-0584A18	TENSION BRACKET	1		
53	30-0159	LOCKNUT	2		
54	5-0153A18	PUMP HAT	1		
55	10-0012	SHEAVE (3506)	1		
55	10-0037	SHEAVE (3005/3008/3505/4005)	1		
56	9-0017	BUSHING	1		

*MUST ORDER IN ONE FOOT LENGTHS



HDS-4005-0H6A / HDS-4005-0H6A (sn:0-99999999)

ENGINE ASSY



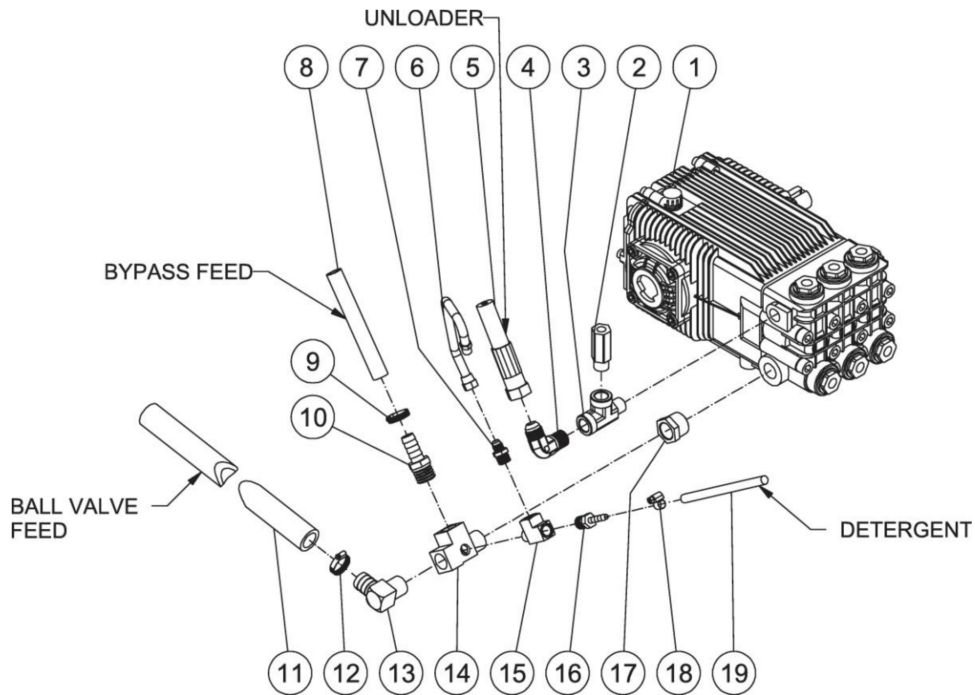
Id	Item #	Description	Quantity	Rev	Comments
1	33-0081	CHOKE CABLE	1		
2	45-0076	KEY SWITCH ASSEMBLY	1		
3	1-0186	ENGINE (850-0393)	1		
3	1-0187	ENGINE (850-0394)	1		
4	70-0555	KIT/ENGINE OIL DRAIN	1		
5	N/A	RECTIFIER	1		
6	28-0002	WASHER	2		
7	29-0006	LOCKWASHER	2		
8	27-0016	SCREW	2		
9	43-0078	KEY	1		
10	42-0004	CLAMP	2		
11	15-0008	HOSE *(FOUR FEET REQUIRED)	1		

*MUST ORDER IN ONE FOOT LENGTHS



HDS-4005-0H6A / HDS-4005-0H6A (sn:0-99999999)

PUMP PLUMBING



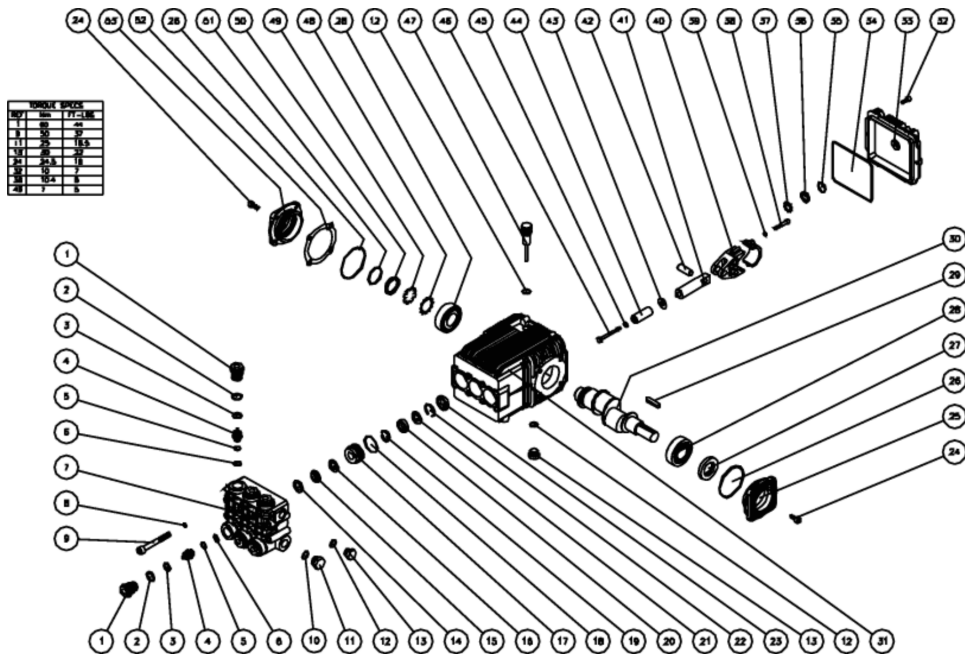
Id	Item #	Description	Quantity	Rev	Comments
1	3-0262	PUMP (GENERAL MODELS)	1		
1	3-0212	PUMP (A/R MODELS)	1		
1	3-0301	PUMP (3008 MODELS)	1		
2	22-0242	EASY START VALVE	1		
3	23-0058	STREET TEE	1		
4	24-0092	ELBOW	1		
5	15-0221	HIGH PRESSURE HOSE ASSY	1		
6	15-0140	EASY START HOSE ASSY	1		
7	23-0247	NIPPLE	1		
8	15-0007	HOSE *(THREE FEET REQUIRED)	1		
9	42-0011	HOSE CLAMP	1		
10	23-0045	HOSE BARB	1		
11	15-0033	HOSE *(FOUR FEET REQUIRED)	1		
12	42-0003	HOSE CLAMP	1		
13	23-0037	ELBOW	1		

Id	Item #	Description	Quantity	Rev	Comments
14	23-0388	STREET TEE	1		
15	23-0127	STREET TEE	1		
16	23-0051	HOSE BARB	1		
17	23-0023	BUSHING (3008 MODELS)	1		
18	42-0004	CLAMP WORM	1		
19	15-0079	FUEL HOSE *(TWO FEET REQUIRED)	1		
		*MUST ORDER IN ONE FOOT LENGTHS			



HDS-4005-0H6A / HDS-4005-0H6A (sn:0-99999999)

PUMP ASSY



Id	Item #	Description	Quantity	Rev	Comments
1	39-0201	VALVE CAP	6		
2	25-0509	BACK-UP RING	6		
3	25-0386	O-RING	6		
4	N/A Sep.	VALVE W/O-RING (SEE 70-0314)	6		
5	25-0516	BACK-UP RING	6		
6	25-0515	O-RING	6		
7	46-0900	MANIFOLD PUMP	1		
8	29-0155	LOCKWASHER	8		
9	27-8470	SCREW	8		
10	25-0372	O-RING	1		
11	39-0202	PLUG	1		
12	25-0510	O-RING	3		
13	39-0203	PLUG	2		
14	N/A Sep.	SUPPORT RING (SEE 70-0317)	3		
15	N/A Sep.	HIGH PRESSURE SEAL (SEE 70-0317)	3		
16	N/A Sep.	LOW PRESSURE SEAL (SEE 70-0317)	3		

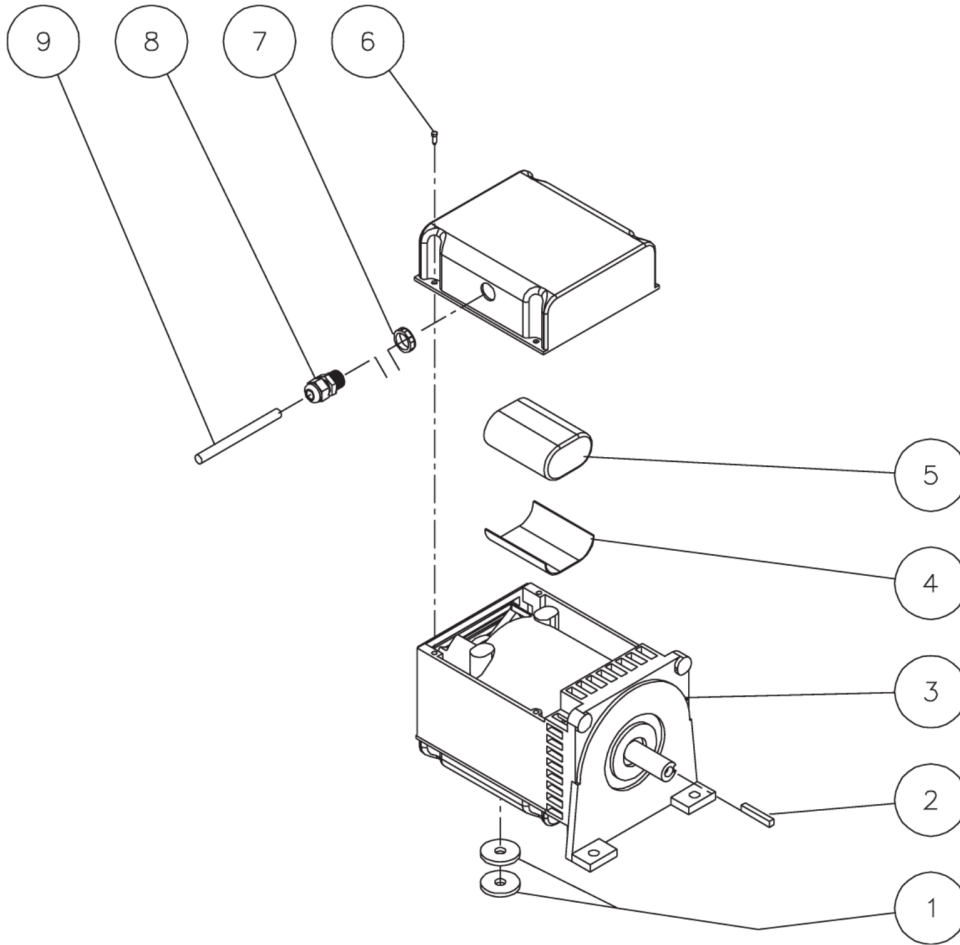
Id	Item #	Description	Quantity	Rev	Comments
17	46-0904	PISTON GUIDE	3		
18	N/A Sep.	O-RING (SEE 70-0317)	3		
19	N/A Sep.	BACK-UP RING (SEE 70-0317)	3		
20	N/A Sep.	LOW PRESSURE SEAL (SEE 70-0317)	3		
21	46-0907	SPACER	3		
22	46-0908	SNAP-RING	3		
23	26-0242	OIL SEAL	3		
24	27-8884	SCREW	8		
25	N/A	SHAFT COVER	1		
26	25-0512	O-RING	2		
27	26-0243	OIL SEAL	1		
28	48-0073	BEARING	2		
29	43-0091	KEY	1		
30	N/A	CRANKSHAFT (PUMP 2-0212)	1		
30	N/A	CRANKSHAFT (PUMP 3-0213)	1		
31	46-0911	CRANKCASE	1		
32	27-8888	SCREW	6		
33	46-0912	CRANKCASE COVER (INC. 35-37)	1		
34	25-0513	O-RING	1		
35	25-0370	O-RING	1		
36	46-0670	OIL SIGHT GLASS	1		
37	46-0671	SPRING RETAINER	1		
38	N/A	SCREW	6		
39	N/A	LOCKWASHER	6		
40	46-0913	CONNECTING ROD	3		
41	46-0915	PLUNGER ROD	3		
42	46-0914	CONNECTING ROD PIN	3		
43	46-0916	SLINGER WASHER	3		
44	46-0917	PISTON	3		
45	28-1041	WASHER	3		
46	27-8965	SCREW	3		
47	39-0204	OIL DIPSTICK	1		
48	46-0924	SPRING RETAINER	1		
49	46-0925	REFLECTOR PUMP	1		
50	46-0926	OIL SIGHT	1		
51	25-0514	O-RING	1		
52	46-0947	SHIM	1		
53	46-0918	SUPPORT BEARING COVER (INC. 48-51)	1		
KIT	70-0314	VALVE KIT KIT (INC. 6 EACH 4-6)	1		

Id	Item #	Description	Quantity	Rev	Comments
KIT	70-0317	WATER SEALS KIT (INC. 3 EACH 14-16, 18-20)	1		



HDS-4005-0H6A / HDS-4005-0H6A (sn:0-99999999)

GENERATOR

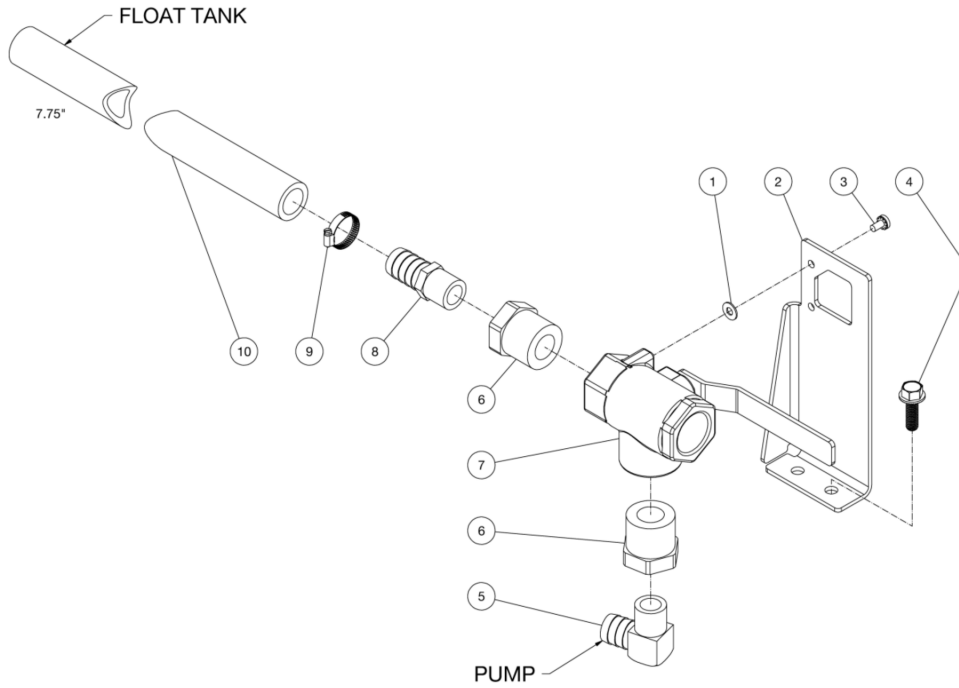


Id	Item #	Description	Quantity	Rev	Comments
1	N/A Sep.	SPACER (SEE 850-0298)	2		
2	N/A Sep.	SHAFT KEY (SEE 850-0298)	1		
3	N/A Sep.	GENERATOR (SEE 850-0298)	1		
4	N/A Sep.	FOAM PAD (SEE 850-0298)	1		
5	32-0698	CAPACITOR	1		
6	27-8878	SCREW	8		
7	32-0108	STRAIN RELIEF NUT	1		
8	32-0437	STRAIN RELIEF	1		
9	32-0440	CORD	1		
	850-0298	GENERATOR (INCLUDES 1-9)			



HDS-4005-0H6A / HDS-4005-0H6A (sn:0-99999999)

BALL VALVE ASSY



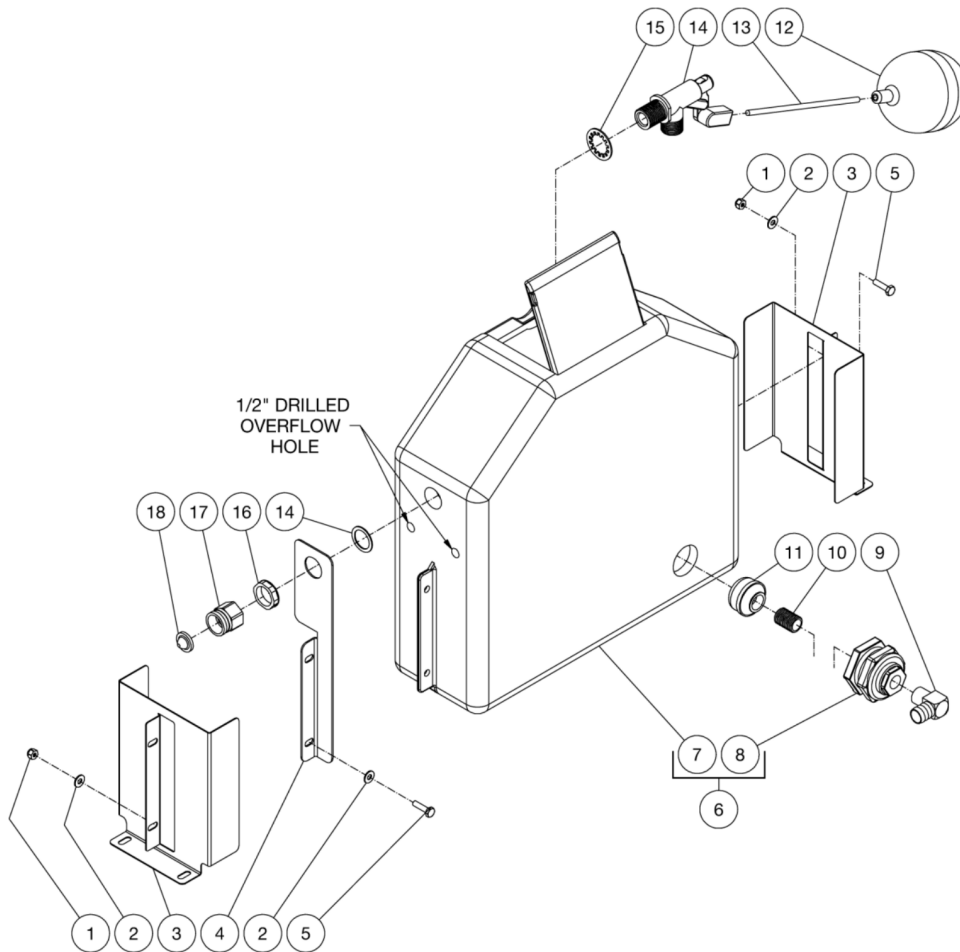
Id	Item #	Description	Quantity	Rev	Comments
1	28-0001	WASHER	2		
2	20-0560A18	BRACKET	1		
3	27-9533	SCREW	2		
4	27-1201	BOLT	2		
5	23-0037	ELBOW	1		
6	23-0226	REDUCER	2		
7	22-0321	BALL VALVE	1		
8	23-0036	HOSE BARB	1		
9	42-0003	HOSE CLAMP	1		
10	15-0033	HOSE *(ONE FOOT REQUIRED)	1		

*MUST ORDER IN ONE FOOT LENGTHS



- HDS-4005-0H6A / HDS-4005-0H6A (sn:0-99999999)

FLOAT TANK ASSY



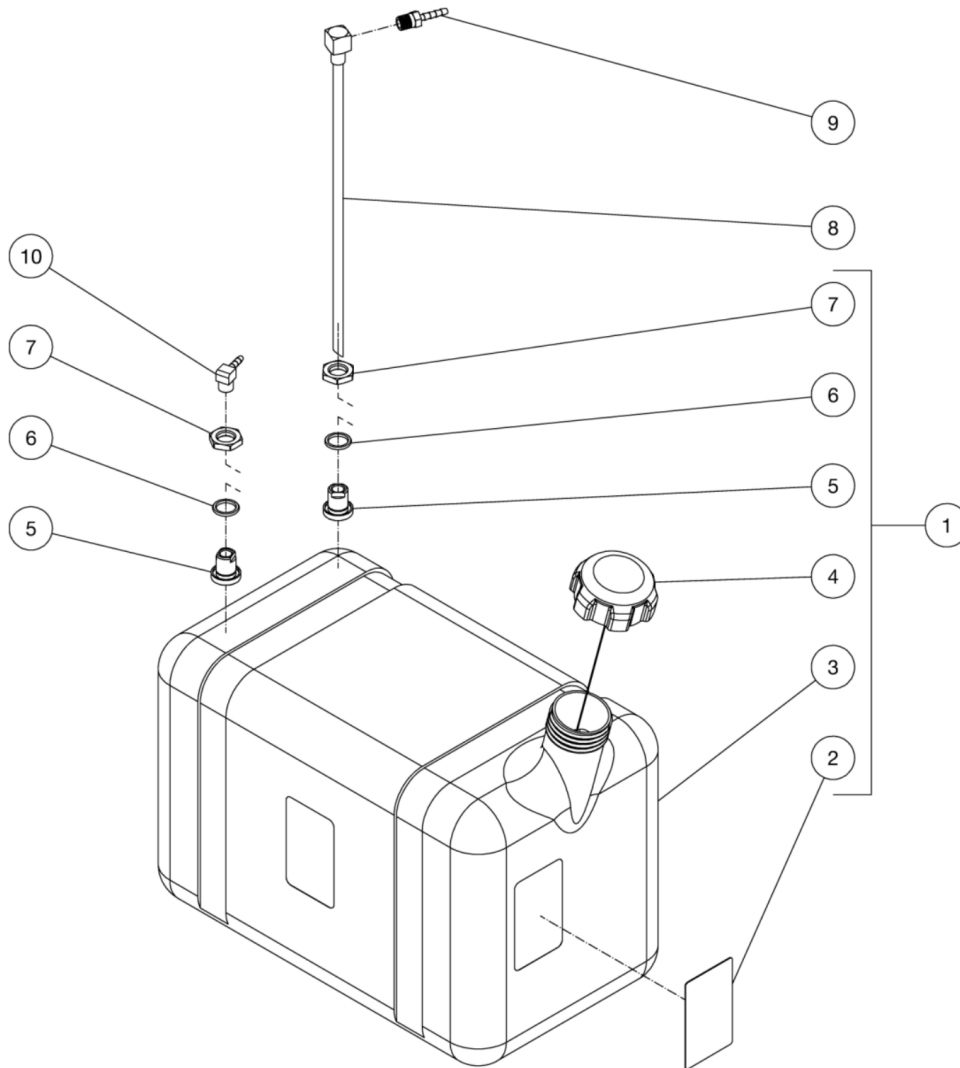
Id	Item #	Description	Quantity	Rev	Comments
1	30-0155	LOCKNUT	4		
2	28-0002	WASHER	6		
3	20-0586A18	BRACKET / FLOAT TANK	2		
4	20-0912A18	BRACKET	1		
5	27-0016	BOLT	4		
6	850-0322	FLOAT TANK ASSEMBLY (INC. 7-8)	1		
7	N/A	FLOAT TANK	1		
8	N/A	BULKHEAD (INC. 25-0506 GASKET)	1		
9	23-0037	ELBOW	1		
10	23-0019	NIPPLE	1		

Id	Item #	Description	Quantity	Rev	Comments
11	19-0203	STRAINER	1		
12	22-0059	FLOAT	1		
13	31-3320	BALL FLOAT STUD	1		
14	22-0317	FLOAT VALVE	1		
15	29-0074	LOCKWASHER	1		
16	23-0428	LOCKNUT	1		
17	23-0021	GARDEN HOSE INLET	1		
18	19-0001	FILTER	1		



HDS-4005-0H6A / HDS-4005-0H6A (sn:0-99999999)

GAS TANK ASSY



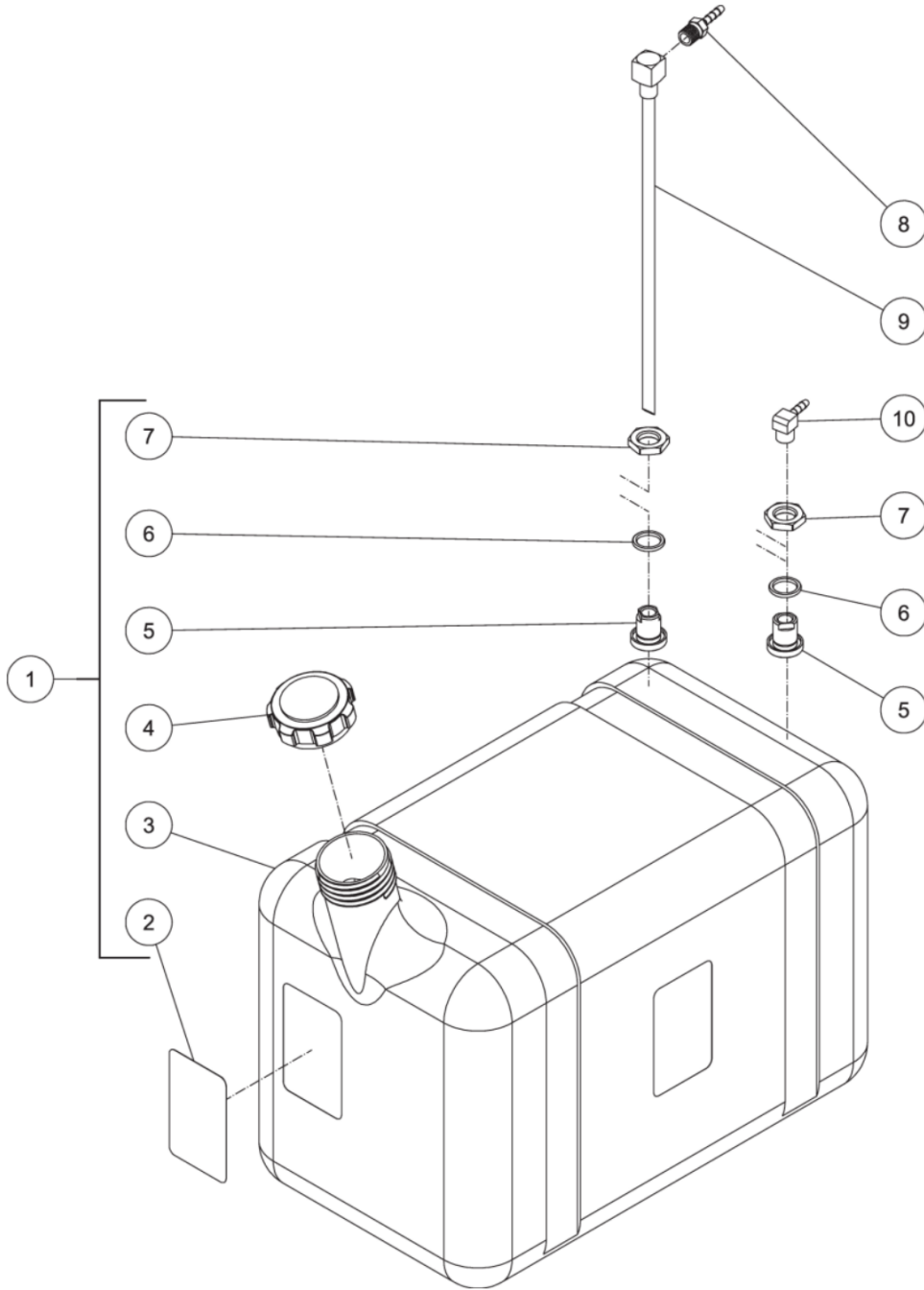
Id	Item #	Description	Quantity	Rev	Comments
1	850-0306	GAS TANK ASSY (INC 2-7)	1		
2	N/A	DECAL- CAUTION: GASOLINE ONLY (SEE 71-0034)	1		
3	N/A	FUEL TANK - RED	1		
4	12-0220	FUEL CAP - SEALED/TETHERED	1		
5	23-0408	BULKHEAD FITTING	2		
6	25-0427	O-RING	2		
7	23-0409	NUT	2		
8	33-0352	FUEL PICK-UP	1		

Id	Item #	Description	Quantity	Rev	Comments
9	23-0051	BARB	1		
10	23-0054	ELBOW	1		



HDS-4005-0H6A / HDS-4005-0H6A (sn:0-99999999)

BURNER FUEL TANK



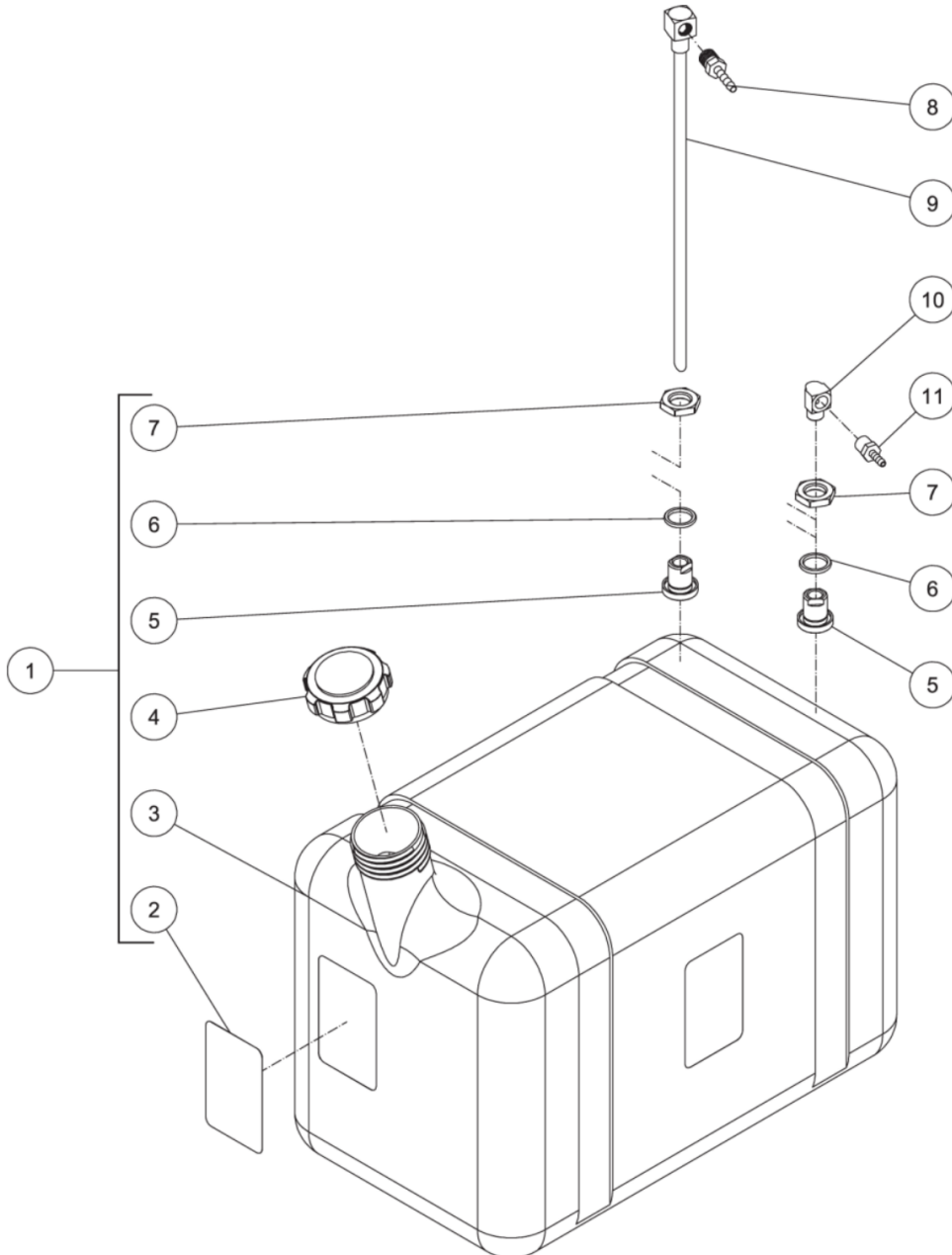
Id	Item #	Description	Quantity	Rev	Comments
1	850-0307	FUEL TANK ASSEMBLY (INC. 2-7)	1		
2	34-1034	DECAL- CAUTION: RISK OF FIRE	1		

Id	Item #	Description	Quantity	Rev	Comments
3	N/A Sep.	FUEL TANK (SEE 850-0307)	1		
4	12-0033	FUEL CAP	1		
5	23-0408	BULKHEAD FITTING	2		
6	25-0427	O-RING	2		
7	23-0409	NUT	2		
8	23-0051	HOSE BARB	1		
9	33-0352	FUEL PICKUP	1		
10	23-0054	ELBOW	1		



HDS-4005-0H6A / HDS-4005-0H6A (sn:0-99999999)

DIESEL FUEL TANK



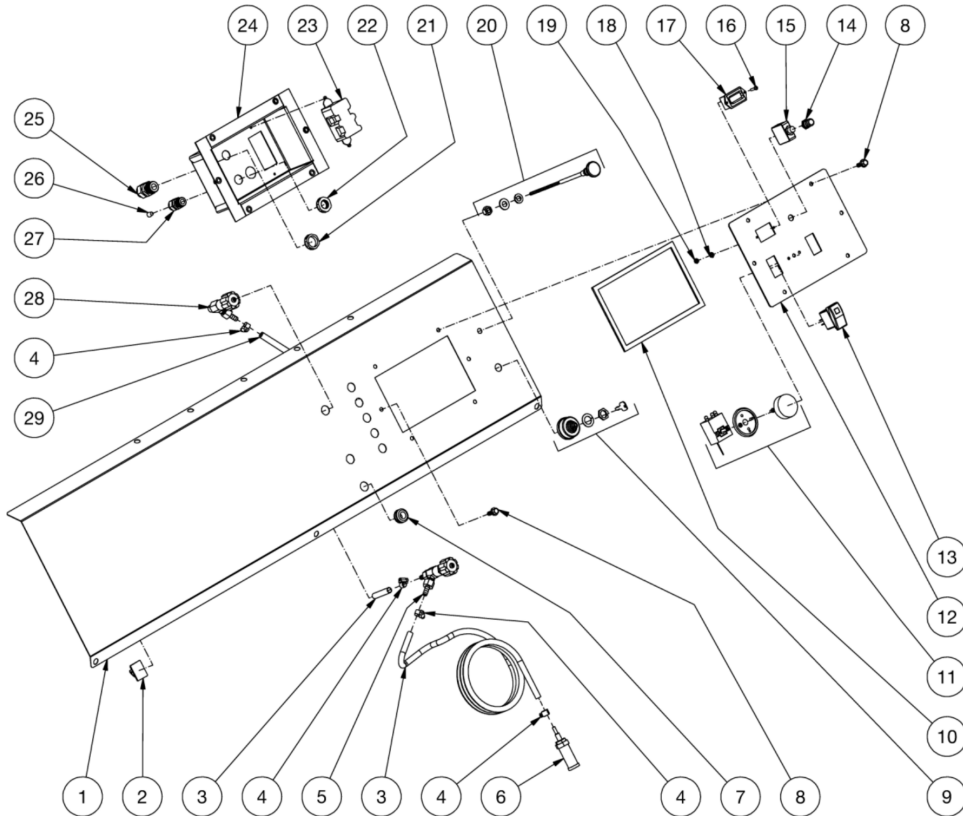
Id	Item #	Description	Quantity	Rev	Comments
1	850-0307	FUEL TANK ASSEMBLY (INC. 2-7)	1		
2	34-1034	DECAL- CAUTION: RISK OF FIRE	1		
3	N/A Sep.	FUEL TANK (SEE 850-0307)	1		
4	12-0033	FUEL CAP	1		

Id	Item #	Description	Quantity	Rev	Comments
5	23-0408	BULKHEAD FITTING	2		
6	25-0427	O-RING	2		
7	23-0409	NUT	2		
8	23-0051	HOSE BARB	1		
9	33-0352	FUEL PICKUP	1		
10	23-0014	ELBOW	1		
11	23-0455	HOSE BARB	1		



HDS-4005-0H6A / HDS-4005-0H6A (sn:0-99999999)

CONTROL PANEL



Id	Item #	Description	Quantity	Rev	Comments
1	21-0285	CONTROL PANEL	1		
2	33-0264	WIRE CLIP	5		
3	15-0021	HOSE *(EIGHT FEET REQUIRED)	1		
4	42-0004	CLAMP WORM	4		
5	22-0226	DETERGENT VALVE	1		
6	19-0056	STRAINER	1		
7	33-0001	GROMMET	6		
8	27-1200	BOLT	6		
9	45-0076	KEY SWITCH	1		
10	26-0248	GASKET	2		
11	32-0962	ADJUSTABLE THERMOSTAT	1		
12	21-0144	ELECTRIC BOX PANEL	1		

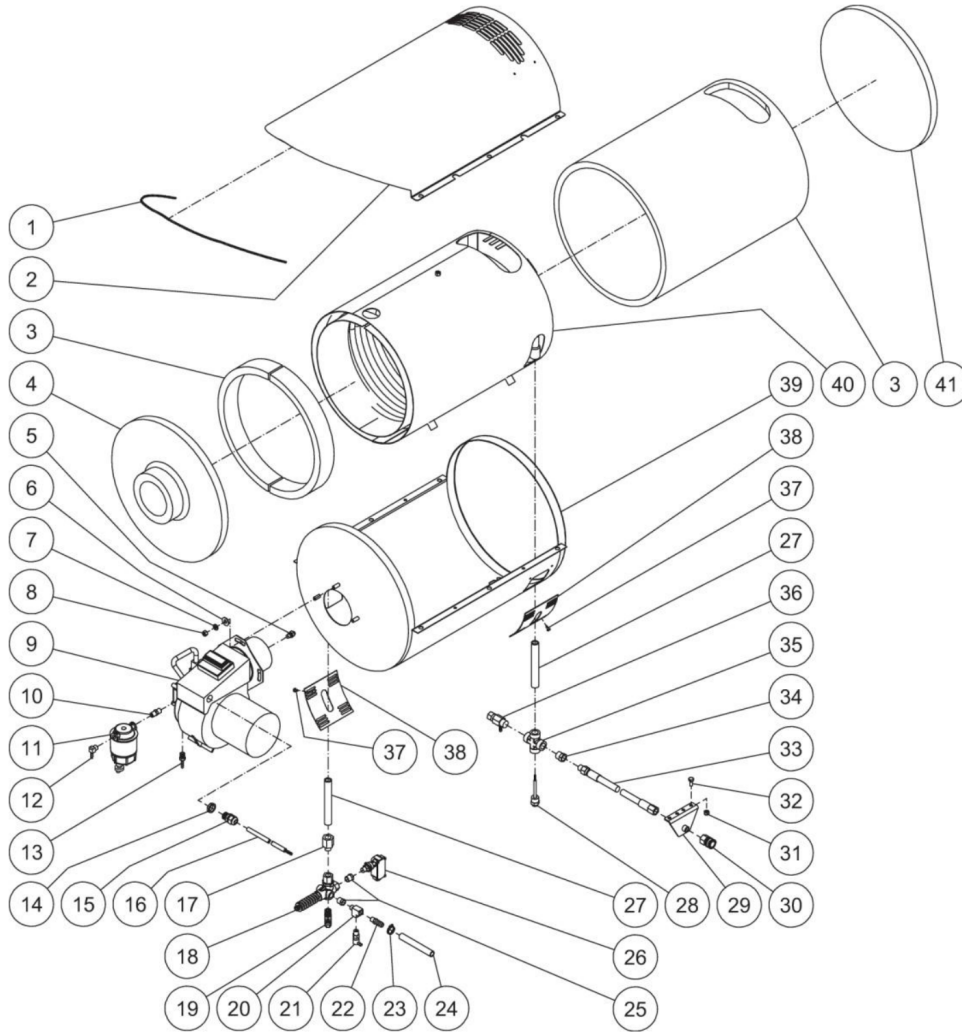
Id	Item #	Description	Quantity	Rev	Comments
13	32-0669	ROCKER SWITCH	2		
14	32-0441	CIRCUIT BREAKER BOOT	1		
15	32-0438	CIRCUIT BREAKER	1		
16	27-8881	SCREW	2		
17	32-0668	HOUR METER	1		
18	28-1009	STAR WASHER	2		
19	30-0052	NUT	2		
20	33-0081	CHOKE CABLE	1		
21	32-0108	ELECTRICAL LOCKNUT	2		
22	32-0587	ELECTRICAL LOCKNUT	3		
23	32-0245	GFCI OUTLET	1		
24	20-0582A18	ELECTRIC BOX	1		
25	32-0437	STRAIN RELIEF	2		
26	32-0708	STRAIN RELIEF PLUG	1		
27	32-0586	STRAIN RELIEF	3		
28	22-0329	STEAM VALVE	1		
29	15-0008	FUEL HOSE	1		

*MUST ORDER IN ONE FOOT LENGTHS



HDS-4005-0H6A / HDS-4005-0H6A (sn:0-99999999)

HEAT EXCHANGER ASSY



Id	Item #	Description	Quantity	Rev	Comments
1	33-0020	EDGING *(THREE FEET REQUIRED)	1		
2	21-0129	TOP WRAP	1		
3	850-0279	INSULATION BLANKET	1		
4	33-0345	INSULATION DRUM HEAD	1		
5	18-0361	FUEL NOZZLE	1		
6	28-0023	WASHER	3		
7	29-0008	LOCKWASHER	3		
8	30-0006	NUT	3		

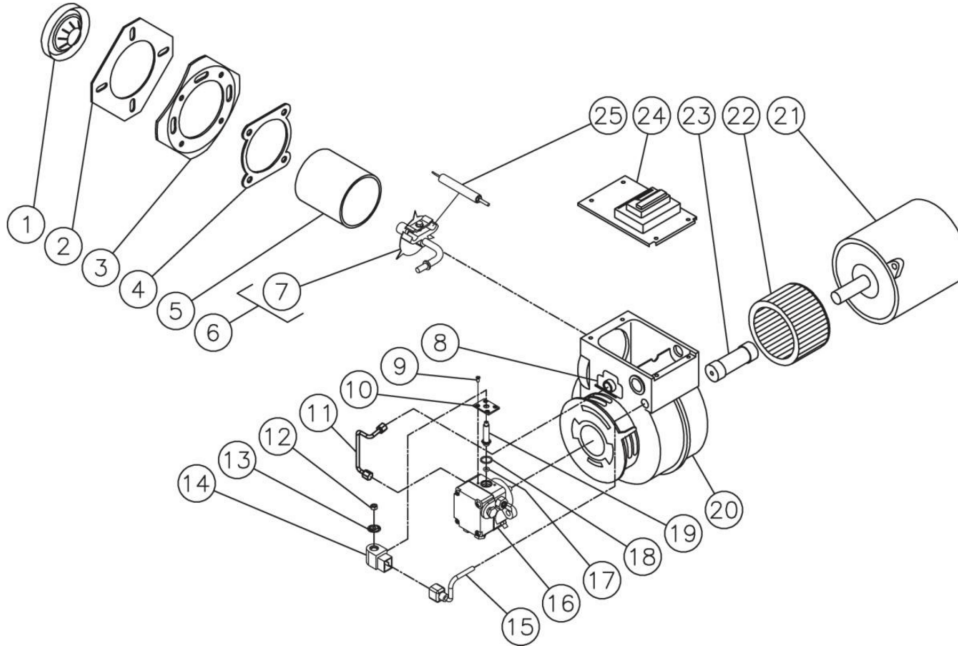
Id	Item #	Description	Quantity	Rev	Comments
9	4-0017	BURNER	1		
10	24-0145	NIPPLE	1		
11	19-0070	FUEL FILTER / WATER SEPERATOR	1		
12	23-0054	ELBOW	1		
13	23-0051	BARB	1		
14	32-0108	ELECTRICAL LOCKNUT	1		
15	32-0437	STRAIN RELIEF	1		
16	32-0247	CORD *(FIVE FEET REQUIRED)	1		
17	24-0048	REDUCER	1		
18	8-0634	UNLOADER	1		
19	24-0092	ELBOW	1		
20	23-0127	TEE	1		
21	22-0408	HEAT DUMP VALVE	1		
22	23-0120	HOSE BARB	1		
23	42-0011	HOSE CLAMP	1		
24	15-0007	HOSE *(TWO FEET REQUIRED)	1		
25	23-0017	REDUCER	2		
26	22-0243	PRESSURE SWITCH	1		
27	24-0254	PIPE NIPPLE	2		
28	32-0962	ADJUSTABLE THERMOSTAT	1		
29	13-0199A18	WATER OUTLET BRACKET	1		
30	17-0004	QC SOCKET	1		
31	30-0157	LOCKNUT	2		
32	27-0066	BOLT	2		
33	15-0202	HP HOSE	1		
34	23-0016	REDUCER BUSHING	1		
35	24-0241	CROSS	1		
36	22-0434	SAFETY RELEIF VALVE	1		
37	27-3062	BOLT	8		
38	20-0537A18	PATCH PLATE	2		
39	21-0145	BOTTOM WRAP	1		
40	66-0014	COIL	1		
41	33-0346	INSULATION DISC	1		

*MUST ORDER IN ONE FOOT LENGTHS



HDS-4005-0H6A / HDS-4005-0H6A (sn:0-99999999)

BURNER ASSY



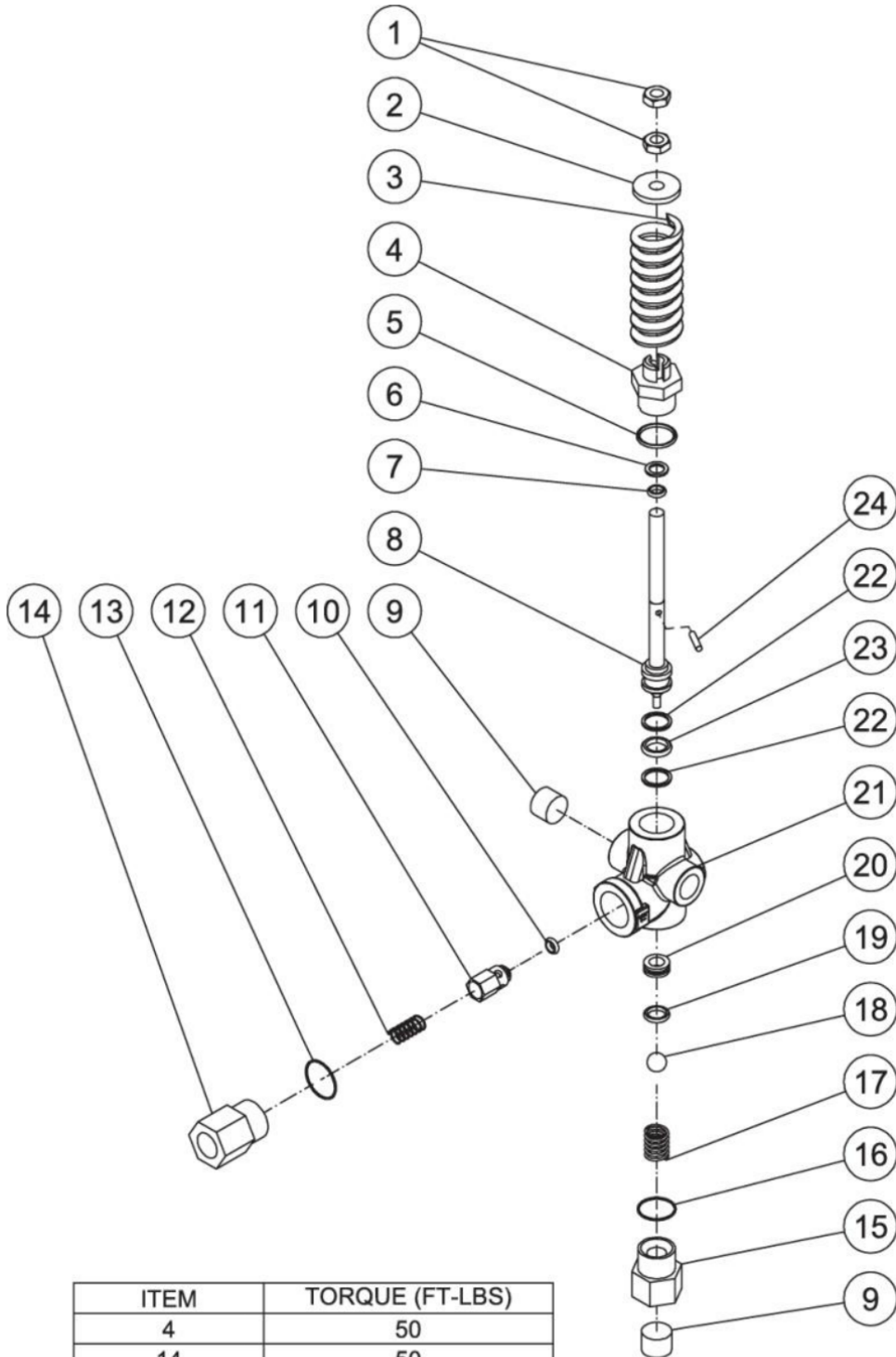
Id	Item #	Description	Quantity	Rev	Comments
1	44-0011	BURNER HEAD	1		
2	44-0108	MOUNTING GASKET	1		
3	44-0109	FLANGE	1		
4	26-0138	GASKET	1		
5	44-0110	AIR TUBE	1		
6	44-0113	NOZZLE LINE ASSEMBLY	1		
7	44-0114	ELECTRODE KIT	1		
8	44-0031	ESCUTCHEON PLATE	1		
9	SEE KIT	SCREW (SEE 70-0746)	1		
10	46-1004	BASE PLATE (SEE 70-0746)	1		
11	44-0026	FUEL LINE	1		
12	46-1016	PISTON NUT (SEE 70-0746)	1		
13	SEE KIT	SPRING WASHER (SEE 70-0746)	1		
14	46-1020	FUEL SOLENOID	1		
15	44-0122	CORD SET	1		
16	3-0236	FUEL PUMP	1		

Id	Item #	Description	Quantity	Rev	Comments
17	SEE KIT	O-RING (SEE 70-0746)	1		
18	SEE KIT	O-RING (SEE 70-0746)	1		
19	SEE KIT	SOLENOID PISTON (SEE 70-0746)	1		
20	44-0033	BURNER HOUSING	1		
21	2-0068	MOTOR (4-0017)	1		
21	2-0067	MOTOR (4-0018)	1		
22	44-0071	BLOWER WHEEL	1		
23	44-0014	COUPLER	1		
24	44-0017	IGNITION TRANSFORMER (4-0017)	1		
24	44-0015	IGNITION TRANSFORMER (4-0018)	1		
25	44-0114	ELECTRODE	2		
	4-0017	COMPLETE BURNER (INC 1-17)			
	4-0018	COMPLETE BURNER (INC 1-17)			
KIT	70-0746	SOLENOID TUBE KIT (INC 9, 10, 12, 13, 17-19)			



HDS-4005-0H6A / HDS-4005-0H6A (sn:0-99999999)

UNLOADER ASSY



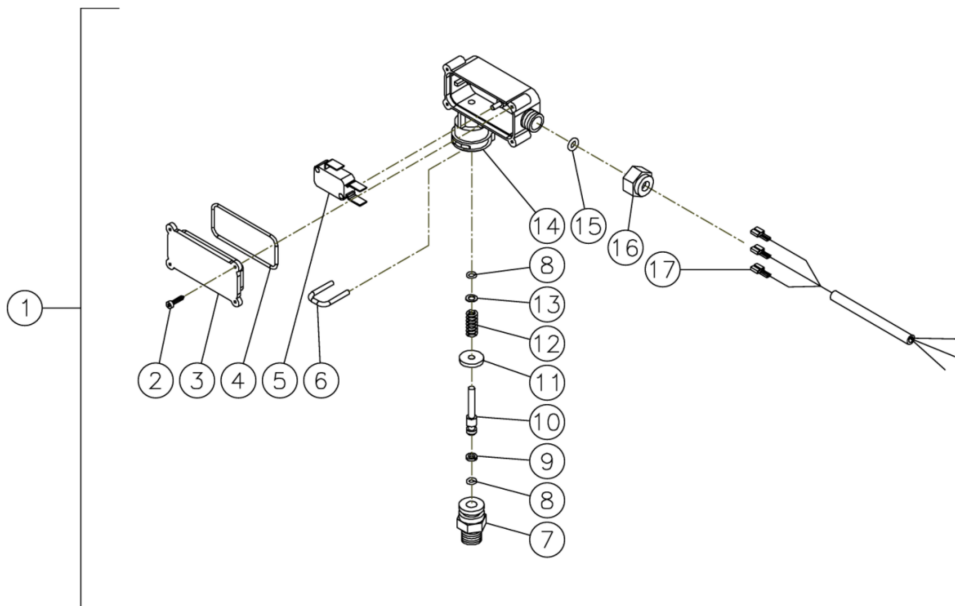
ITEM	TORQUE (FT-LBS)
4	50
14	50
15	50

Id	Item #	Description	Quantity	Rev	Comments
1	8-0293	NUT	2		
2	46-1527	SPRING SPACER	1		
3	49-0171	SPRING	1		
4	46-1529	FITTING	1		
5	SEE KIT	O-RING (SEE KIT 70-0625)	1		
6	SEE KIT	O-RING (SEE KIT 70-0625)	1		
7	SEE KIT	O-RING (SEE KIT 70-0625)	1		
8	46-1530	STEM	1		
9	23-0244	PLUG	2		
10	SEE KIT	O-RING (SEE KIT 70-0624)	1		
11	SEE KIT	POPPET (SEE KIT 70-0624)	1		
12	SEE KIT	SPRING (SEE KIT 70-0624)	1		
13	25-0672	O-RING	1		
14	46-1531	OUTLET FITTING	1		
15	SEE KIT	INLET FITTING (SEE KIT 70-0625)	1		
16	SEE KIT	O-RING (SEE KIT 70-0625)	1		
17	49-0172	SPRING	1		
18	SEE KIT	BALL (SEE KIT 70-0625)	1		
19	SEE KIT	O-RING (SEE KIT 70-0625)	1		
20	46-1532	SEAT	1		
21	46-1533	FORGING	1		
22	SEE KIT	BACKUP RING (SEE KIT 70-0625)	2		
23	SEE KIT	O-RING (SEE KIT 70-0625)	1		
24	SEE KIT	PIN (SEE KIT 70-0625)	1		
KIT	70-0624	CHECK VALVE (INC. 10-12)			
KIT	70-0625	UNLOADER REBUILD (INC. 5-7, 15-16, 18-19, 23-24; INC. 2 EACH 22)			



HDS-4005-0H6A / HDS-4005-0H6A (sn:0-99999999)

PRESSURE SWITCH



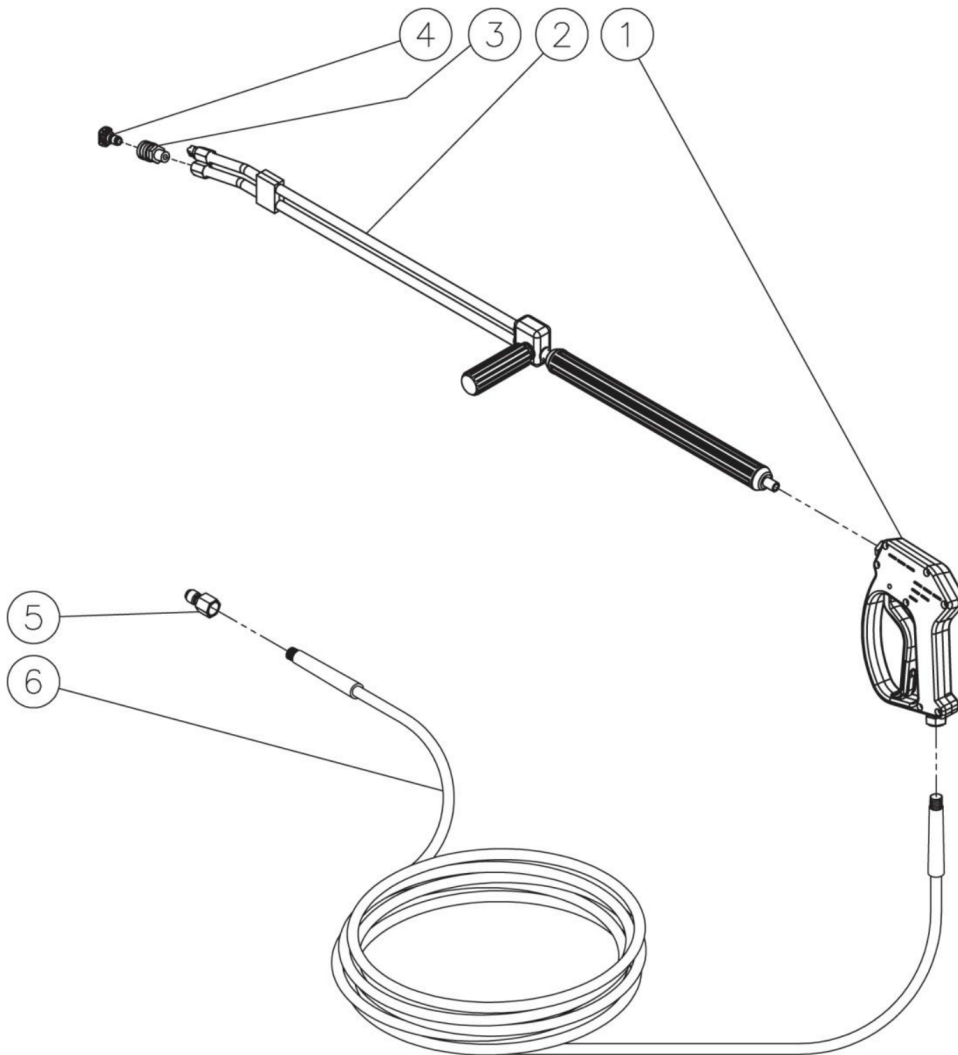
Id	Item #	Description	Quantity	Rev	Comments
1	22-0171	PRESSURE SWITCH- 15 BAR	1		
1	22-0243	PRESSURE SWITCH- 25 BAR	1		
2	N/A	SCREW	4		
3	N/A	COVER	1		
4	N/A Sep.	O-RING (SEE 70-0306)	1		
5	N/A	MICRO SWITCH	1		
6	N/A	RETAINER CLIP	1		
7	N/A	BODY	1		
8	N/A Sep.	O-RING (SEE 70-0306)	2		
9	N/A Sep.	BACK-UP RING (SEE 70-0306)	1		
10	N/A	PISTON	1		
11	N/A	WASHER	1		
12	49-0144	SPRING- 15 BAR	1		
12	49-0145	SPRING- 25 BAR	1		
13	N/A	WASHER	1		
14	N/A	PLASTIC HOUSING	1		

Id	Item #	Description	Quantity	Rev	Comments
15	N/A Sep.	O-RING (SEE 70-0306)	1		
16	N/A	NUT- 15 BAR	1		
16	N/A	NUT- 25 BAR	1		
17	N/A	WIRE ASSEMBLY	1		
KIT	70-0306	O-RING REPAIR KIT (INC. 4, 8-9, 15)			



HDS-4005-0H6A / HDS-4005-0H6A (sn:0-99999999)

GUN/WAND/HOSE ASSY



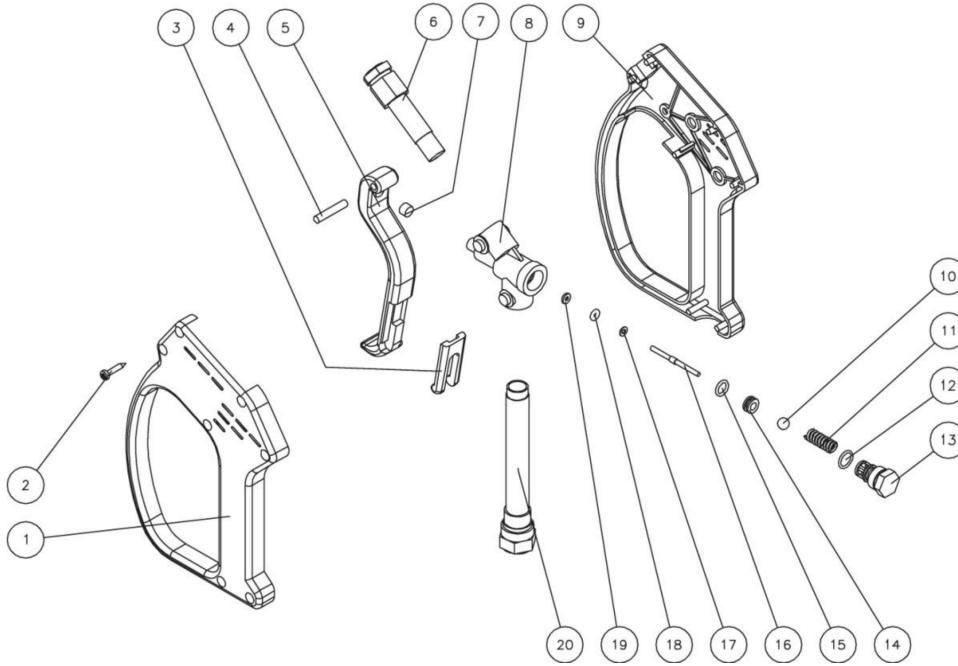
Id	Item #	Description	Quantity	Rev	Comments
1	16-0446	GUN ASSEMBLY	1		
2	16-0417	DUAL LANCE 48" (3005)	1		
2	16-0416	DUAL LANCE 36" (1803/2004/3004)	1		
3	17-0028	QUICK CONNECT SOCKET	1		
4	18-0402	NOZZLE- 0004.5 (3004)	1		
4	18-0403	NOZZLE- 1504.5 (3004)	1		
4	18-0404	NOZZLE- 2504.5 (3004)	1		
4	18-0405	NOZZLE- 4004.5 (3004)	1		

Id	Item #	Description	Quantity	Rev	Comments
4	18-0410	NOZZLE- 0005.5 (3005)	1		
4	18-0411	NOZZLE- 1505.5 (3005)	1		
4	18-0412	NOZZLE- 2505.5 (3005)	1		
4	18-0413	NOZZLE- 4005.5 (3005)	1		
4	18-0414	NOZZLE- 0006 (2004)	1		
4	18-0415	NOZZLE- 1506 (2004)	1		
4	18-0416	NOZZLE- 2506 (2004)	1		
4	18-0417	NOZZLE- 4006 (2004)	1		
4	18-0007	NOZZLE- 0007 (1805)	1		
4	18-0008	NOZZLE- 1507 (1805)	1		
4	18-0009	NOZZLE- 2507 (1805)	1		
4	18-0032	NOZZLE- 4007 (1805)	1		
5	17-0006	QUICK CONNECT PLUG	1		
6	15-0166	HIGH PRESSURE HOSE ASSEMBLY 4500 PSI	1		
6	15-0146	HIGH PRESSURE HOSE ASSEMBLY 3000 PSI	1		



HDS-4005-0H6A / HDS-4005-0H6A (sn:0-99999999)

GUN ASSY



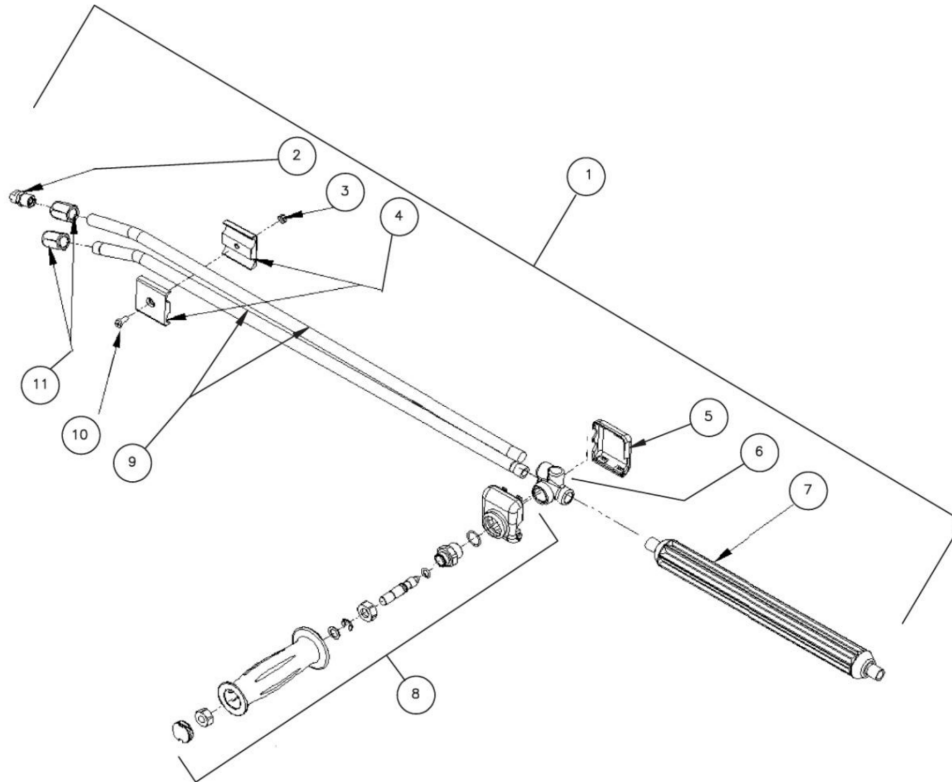
Id	Item #	Description	Quantity	Rev	Comments
1	N/A	PLASTIC HOUSING (LEFT)	1		
2	N/A	SCREW	7		
3	N/A	SAFETY LATCH	1		
4	N/A	PIN	1		
5	16-0393	TRIGGER	1		
6	16-0395	TUBE	1		
7	16-0394	STRIKER	1		
8	N/A	BODY	1		
9	N/A	PLASTIC HOUSING (RIGHT)	1		
10	N/A Sep.	BALL (SEE 70-0332)	1		
11	N/A	SPRING	1		
12	N/A Sep.	O-RING (SEE 70-0332)	1		
13	N/A	SPRING HOUSING PLUG	1		
14	N/A Sep.	SEAT (SEE 70-0332)	1		
15	N/A Sep.	O-RING (SEE 70-0332)	1		

Id	Item #	Description	Quantity	Rev	Comments
16	N/A Sep.	PISTON (SEE 70-0332)	1		
17	N/A	WASHER	1		
18	N/A Sep.	O-RING (SEE 70-0332)	1		
19	N/A Sep.	BACK-UP RING (SEE 70-0332)	1		
20	16-0396	TUBE	1		
KIT	70-0332	REPAIR KIT (INC. 10, 12, 14-16, 18, 19)	1		



HDS-4005-0H6A / HDS-4005-0H6A (sn:0-99999999)

DUAL LANCE ASSEMBLY



Id	Item #	Description	Quantity	Rev	Comments
1	16-0416	DUAL LANCE ASSEMBLY - 36" (INC. 2-11)	1		
1	16-0417	DUAL LANCE ASSEMBLY - 48" (INC. 2-11)	1		
2	18-0110	DETERGENT NOZZLE	1		
3	30-6001	NUT	1		
4	16-0420	CLAMP	2		
5	N/A Sep.	LOWER VALVE COVER (SEE 16-0416 OR 16-0417)	1		
6	N/A Sep.	HOUSING (SEE 16-0416 OR 16-0417)	1		
7	16-0419	LANCE	1		
8	70-0419	HANDLE REPAIR KIT	1		
9	N/A Sep.	LANCE (SEE 16-0416)	2		
9	N/A Sep.	LANCE (SEE 16-0417)	2		
10	27-8196	SCREW	1		

Id	Item #	Description	Quantity	Rev	Comments
11	24-0280	NOZZLE ADAPTER	2		