



# CHEMICAL PUMP BREAKDOWN

NP-2065HR



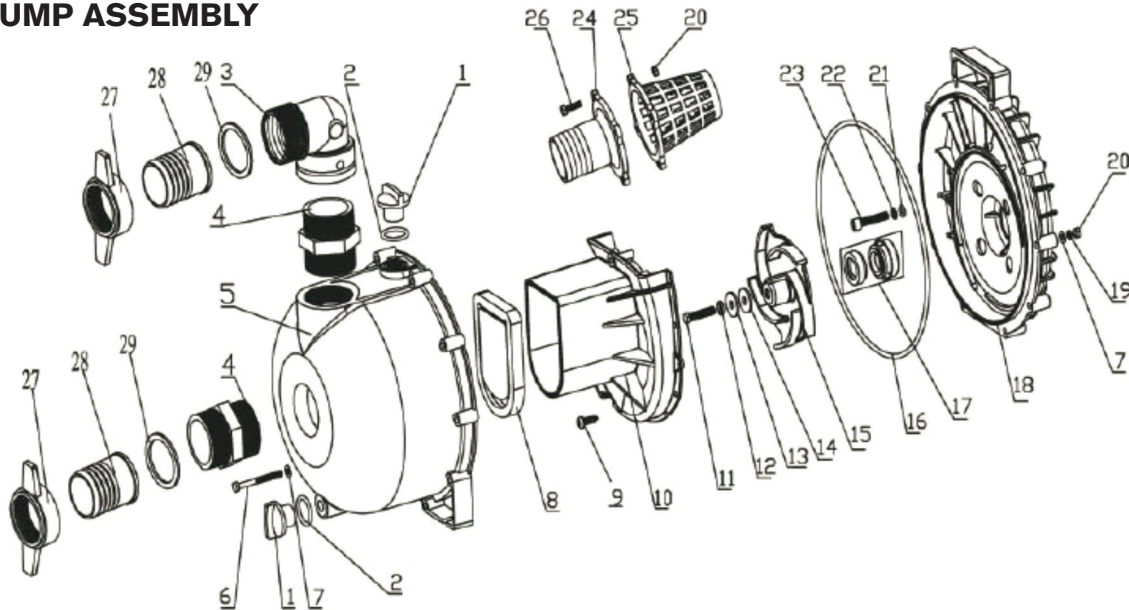
REF #	DESCRIPTION	QTY	PARTS
N/A	Honda GX200 Engine	1	Contact Honda Dealer



# CHEMICAL PUMP BREAKDOWN

NP-2065HR

## WATER PUMP ASSEMBLY



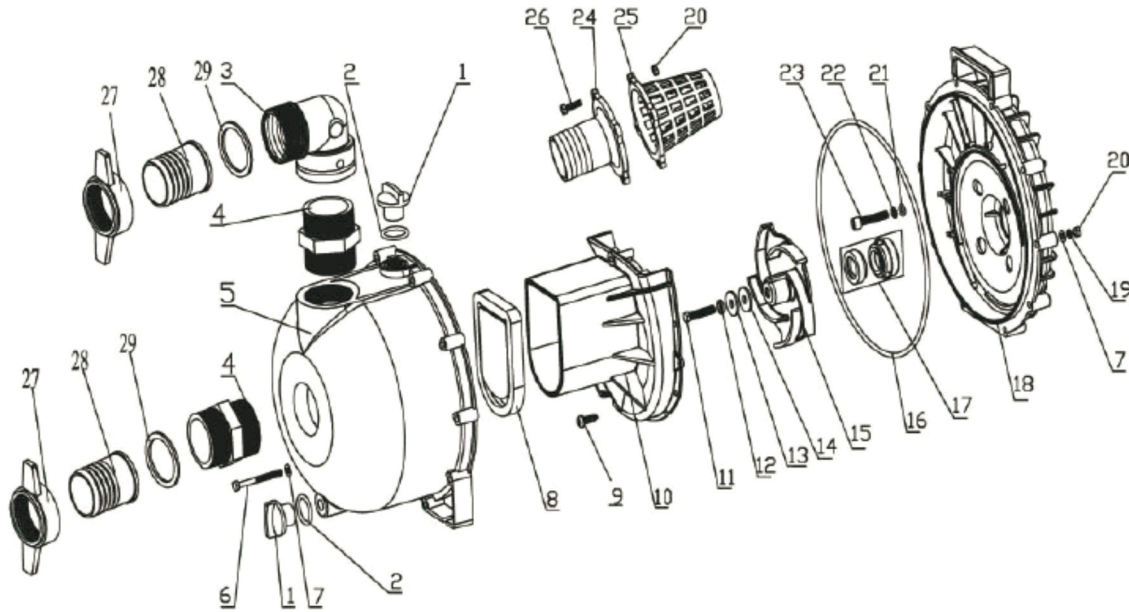
REF #	DESCRIPTION	QTY	BE PART #
1	THREAD PLUG	2	85.571.160
2	SCREW PLUG WASHER	2	
3	WATER OUTLET	1	85.571.161
4	WATER INLET	2	
5	PUMP BODY	1	85.571.168
8	WATER INLET GASKET	1	
12	WASHER	1	
13	WASHER	1	
14	WASHER	1	
16	WATER PUMP JOINT CUSHION	1	
17	MECHANISM SEAL ASSY	1	
	PORCELAIN SEAL	1	
	IMPELLER SEAL RING	1	
6	BOLT	10	
7	FLAT WASHER	20	
9	SCREW	2	
14	WASHER	1	
13	WASHER	1	
12	WASHER	1	
11	SCREW	1	
19	WASHER	10	
20	NUT	14	
21	WASHER	4	
22	WASHER	4	
23	SCREW	4	
			85.571.162
			85.571.169



# CHEMICAL PUMP BREAKDOWN

NP-2065HR

## WATER PUMP ASSEMBLY



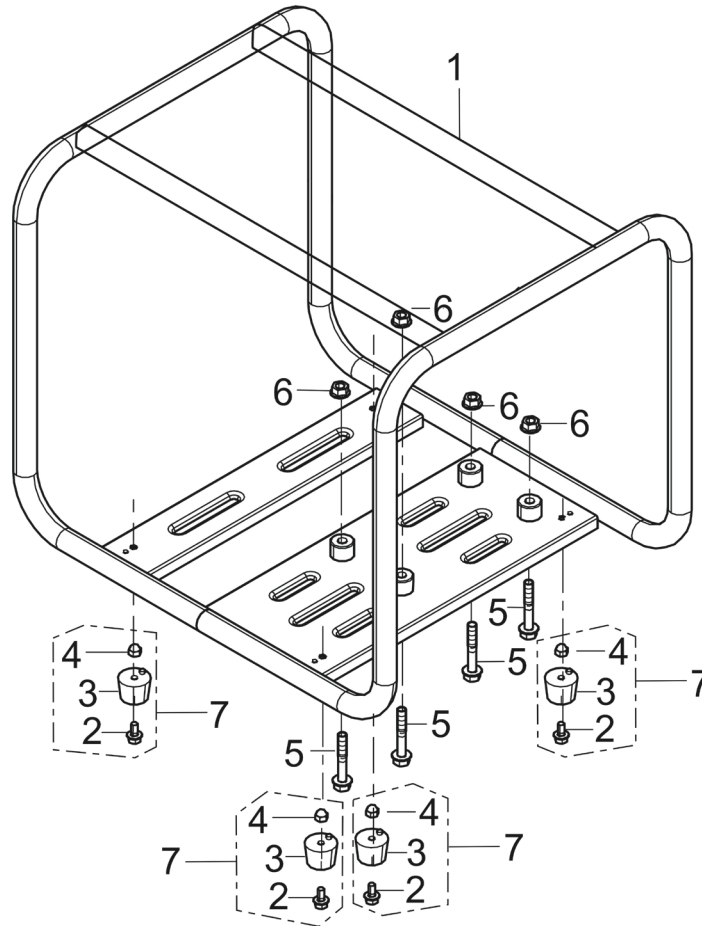
REF #	DESCRIPTION	QTY	BE PART #
10	WHORL CASE	1	85.571.166
15	WATER PUMP IMPELLER	1	85.571.163
18	WATER PUMP JOINT	1	85.571.167
20	NUT	4	85.571.164
24	FILTER COVER	1	
25	FILTER	1	
26	BOLT	4	



# CHEMICAL PUMP BREAKDOWN

NP-2065HR

## FRAME ASSEMBLY



REF #	DESCRIPTION	QTY	BE PART #
2	Bolt	4	50.002.205
3	Engine Frame Shock Absorption Seat	4	
4	Acorn Nut	4	