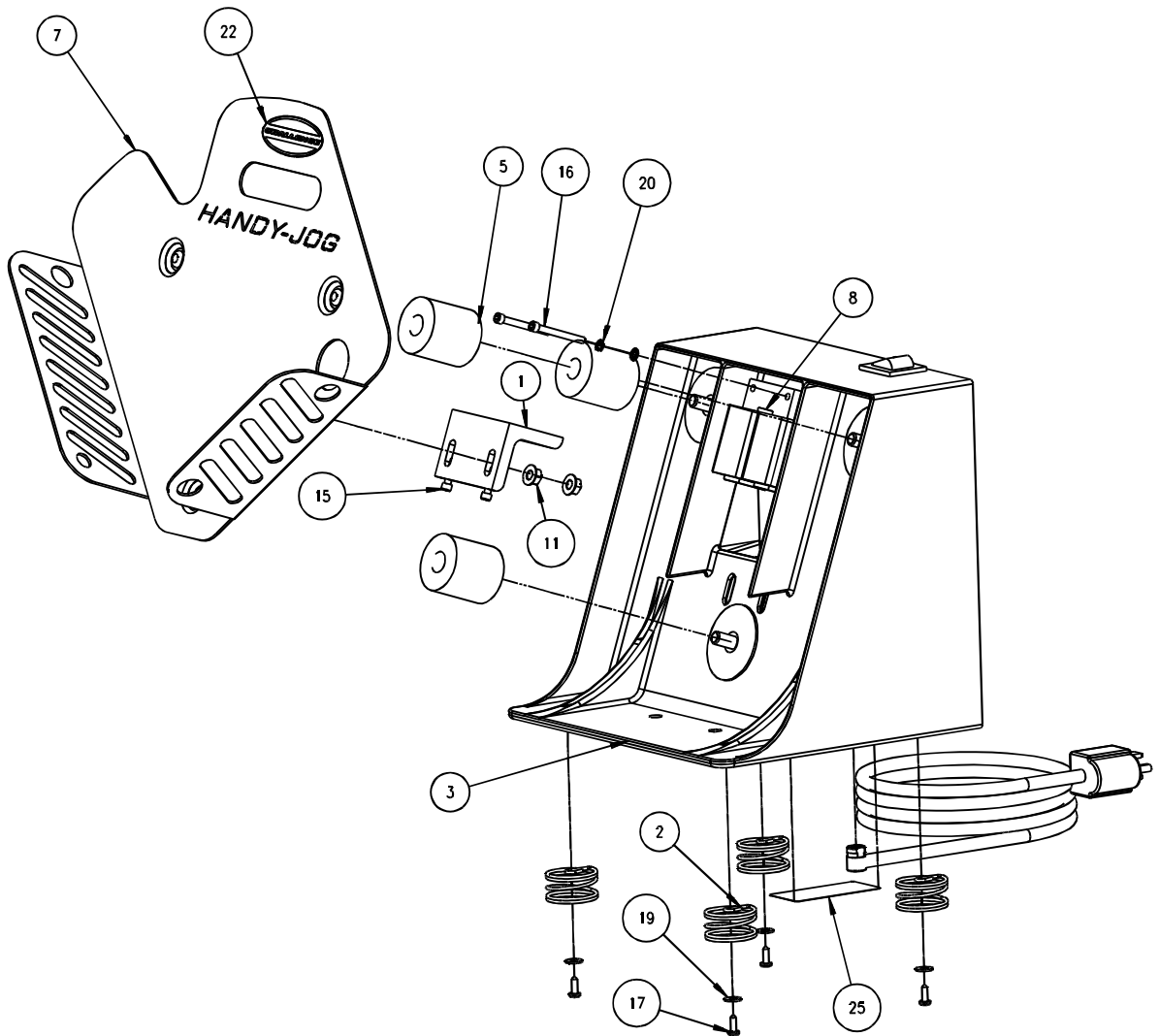
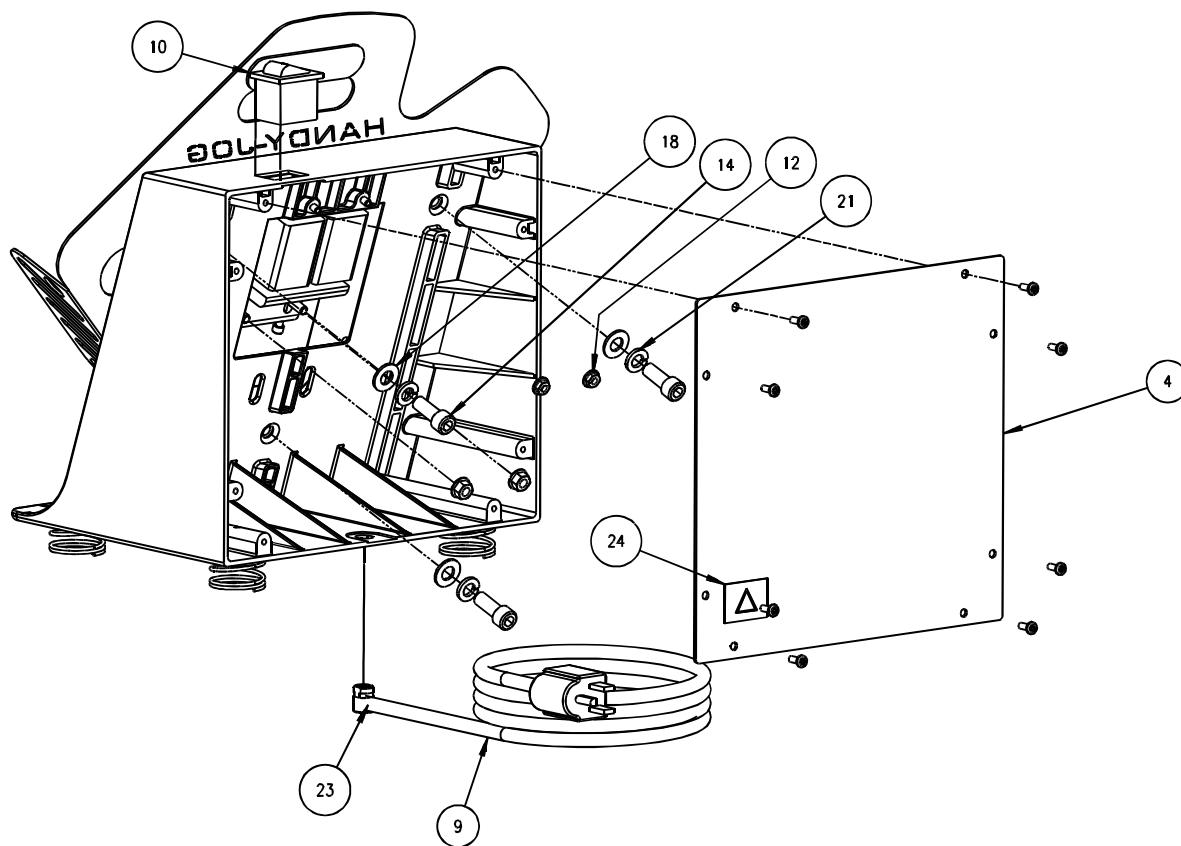


6.0 Parts List

6.1 Series A



6.2 Series A (continued)



6.3 Series A (continued)

1	57010	ACTUATOR	1
2	57012	SPRING	4
3	57201	BASE	1
4	57202	COVER	1
5	40016-4	ISOLATOR- RUBBER	3
7	57205	JOGGING TRAY	1
8	E-3052	ELECTRO-MAGNET	1
9	E-3053	POWER CORD- JOGGER	1
10	E-1140-11	ROCKER SWITCH	1
11	H-6414-4	NUT - 1/4-20 WHIZ LOCK	2
12	H-6417-N10	NUT - #10-24 HEX	2
14	H-6918-608	SCREW - 3/8-16 X 1 SOCKET HEAD CAP	3
15	H-6918-102406	SCREW - #10-24 X 3/4 SOCKET HEAD CAP	2
16	H-6918-102414	SCREW - #10-24 X 1-3/4 SOCKET HEAD CAP	2
17	H-6969-0804	SCREW - #8 X 1/2 PAN HD PLASTITE	12
18	H-7321-6	WASHER - 3/8 SAE PLAIN	3
19	H-7321-#10	WASHER - #10 SAE PLAIN	6
20	H-7324-#10	WASHER - #10 INT TOOTH	2
21	H-7327-12	WASHER - 3/8 MEDIUM LOCK	3
22	S-1076-2	CHALLENGE LABEL	1
23	S-1350-9	STRAIN RELIEF BUSHING	1
24	S-1781-50	LABEL - ELECTRIC SHOCK	1
25	S-1781-121	HANDY-JOG NAMEPLATE	1