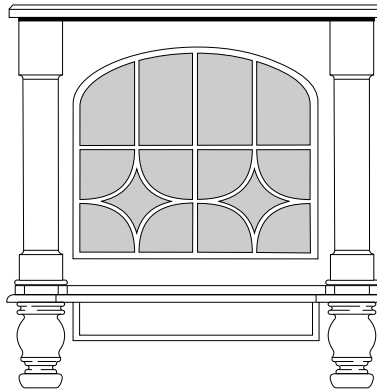


Comfort Glow®

CAST IRON STOVE AND DIRECT-VENT
(FREESTANDING FIREPLACE HEATER)
BURNER SYSTEM

OWNER'S OPERATION AND INSTALLATION MANUAL



NATURAL GAS BURNER SYSTEM MODEL CDVBNC,
PROPANE/LP GAS BURNER SYSTEM MODEL CDVBPC
REMOTE READY

IMPORTANT: This direct-vent burner system must be installed into approved Comfort Glow cast iron stove bodies, models CISGA series and CISCA series **ONLY**. See page 3 of this manual.

WARNING: If the information in this manual is not followed exactly, a fire or explosion may result causing property damage, personal injury, or loss of life.

FOR YOUR SAFETY

Do not store or use gasoline or other flammable vapors and liquids in the vicinity of this or any other appliance.

FOR YOUR SAFETY

WHAT TO DO IF YOU SMELL GAS

- Do not try to light any appliance.
- Do not touch any electrical switch
- Do not use any phone in your building.
- Immediately call your gas supplier from a neighbor's phone. Follow the gas supplier's instructions.
- If you cannot reach your gas supplier, call the fire department.

WARNING: Improper installation, adjustment, alteration, service, or maintenance can cause injury or property damage. Refer to this manual for correct installation and operational procedures. For assistance or additional information consult a qualified installer, service agency, or the gas supplier.

Installation and service must be performed by a qualified installer, service agency, or the gas supplier.

This appliance may be installed in an aftermarket* permanently located, manufactured (mobile) home, where not prohibited by state or local codes.

This appliance is only for use with the type of gas indicated on the rating plate. This appliance is not convertible for use with other gases, unless a certified kit is used.

* Aftermarket: Completion of sale, not for purpose of resale, from the manufacturer.

CAST IRON STOVE AND DIRECT-VENT BURNER SYSTEM ASSEMBLY

Continued

10. Install door catch bolt (M8 x 1.25-55mm with two M8 hex nuts) into threaded hole on stove body (see Figure 9, page 6). Use an adjustable wrench or a 12mm socket. The catch bolt has two hex nuts attached to it (see Figure 12). The top nut is a bolt stop and the bottom nut is for door leveling adjustment.
11. Check general catch bolt alignment with door claw. Make final adjustment and door leveling after stove is in normal standing position.
12. Carefully lift stove back up on its four attached legs.
13. Set top grate into stove top.

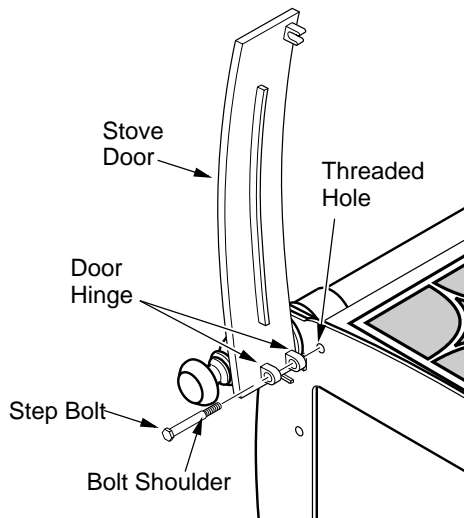


Figure 11 - Attaching Stove Door

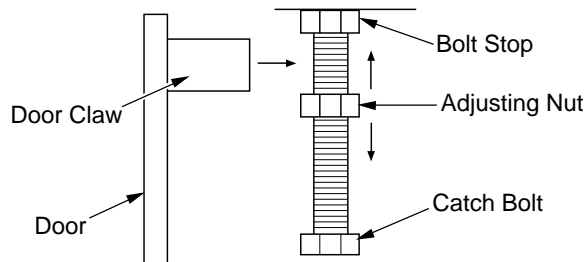


Figure 12 - Catch Bolt and Door Claw Orientation

INSTALLING DIRECT-VENT BURNER SYSTEM INTO STOVE BODY

1. Carefully lift burner system and place into stove body from the rear of stove.
2. Using screws provided, attach burner system to back of stove.

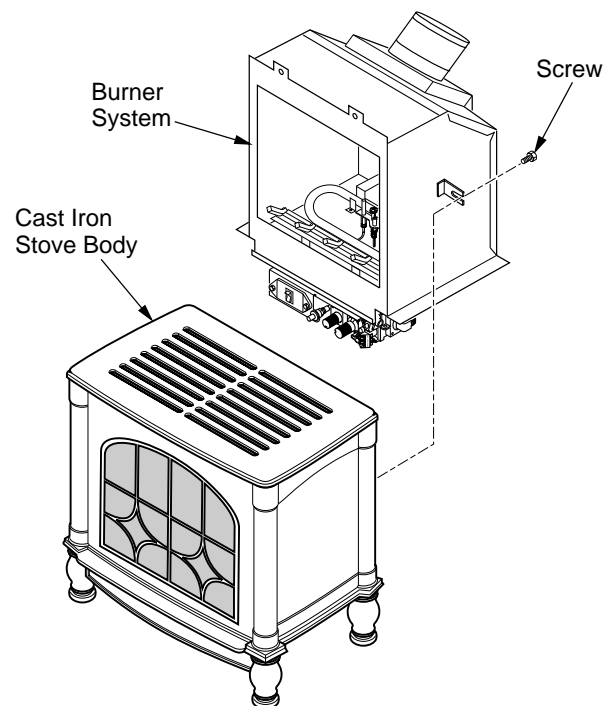
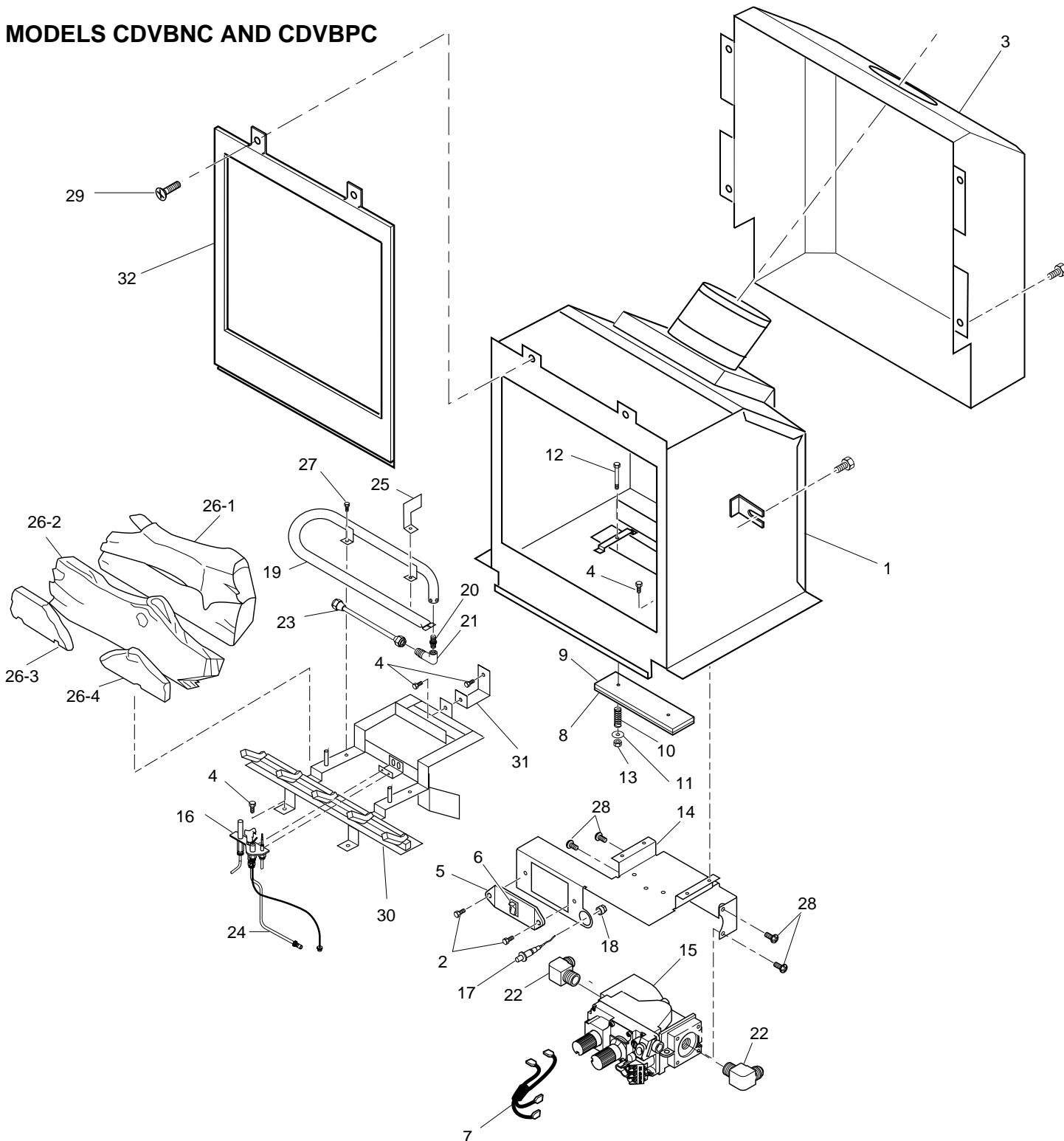


Figure 13 - Installing Burner System Into Cast Iron Stove Body

ILLUSTRATED PARTS BREAKDOWN

MODELS CDVBNC AND CDVBPC



PARTS LIST

MODELS CDVBNC AND CDVBPC

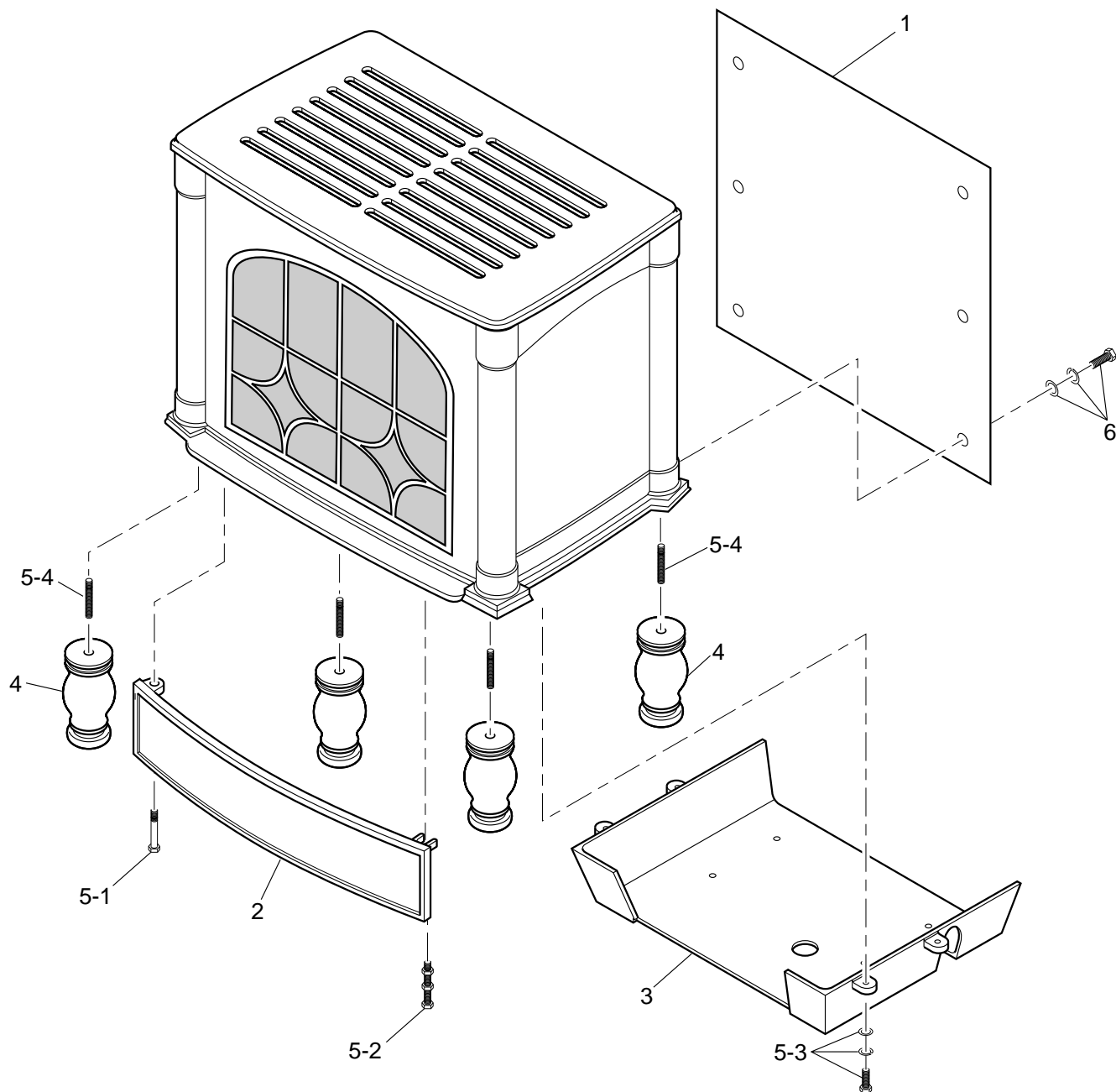
This list contains replaceable parts used in your burner system.
When ordering parts, follow the instructions listed under *Replacement Parts* on page 31 of this manual.

KEY NO.	PART NUMBER	DESCRIPTION	QTY.
1	**	Firebox Assembly	1
2	M11084-26	Screw, Hex	2
3	27129	Rear Cover	1
4	M11084-39	Screw, Hex	12
5	103587-02	Switch Plate	1
6	099998-01	On/Off Switch	1
7	103284-04	Wire Harness	1
8	104491-01	Relief Cover	1
9	104518-01	Relief Cover Gasket	1
10	104527-01	Relief Spring	2
11	104528-01	Relief Washer	2
12	H5C4-20B	Hex Head Cap Screw	2
13	NTC-4C	Locknut	2
14	105468-02	Valve Bracket	1
15	14389	Valve, Natural	1
	14390	Valve, Propane/LP	1
16	14561	Pilot Assembly, Natural	1
	14562	Pilot Assembly, Propane/LP	1
17	102445-01	Ignitor, Piezo	1
18	102334-01	Palnut Fastener	1
19	105523-01	Burner, Natural	1
	105523-02	Burner, Propane/LP	1
20	104506-01	Orifice, Natural	1
	104506-02	Orifice, Propane/LP	1
21	14528	Brass Elbow	1
22	901056-01	Brass Elbow	2
23	105493-01	Aluminum Tubing Assy	1
24	105795-01	Glass Door Assy	1
25	105325-01	Air Deflector	1
26	14585	Log Set	1
26-1	105773-01	Rear Log	1
26-2	105773-02	Front Log	1
26-3	105773-03	Left Log Piece	1
26-4	105773-04	Right Log Piece	1
27	M10908-2	Screw	18
28	11107	Screw	4
29	M12461-62	Screw	2
30	104555-03CJ	Grate Assembly	1
31	105483-01	Burner Bracket	1
PARTS AVAILABLE - NOT SHOWN			
	GA6060	Lava Rock	1
	14250	Ember Material	1
	M11084-3	Hex Screw for Blower Bracket	4

** Not a field replaceable part.

ILLUSTRATED PARTS BREAKDOWN

STOVE CHASSIS MODELS CISC AND CISG



PARTS LIST

MODELS CISC AND CISG

This list contains replaceable parts used in your stove. When ordering parts, follow the instructions listed under *Replacement Parts* on page 31 of this manual.

KEY NO.	PART NO.	DESCRIPTION	QTY.
1	104968-01	Stove Back Panel (Black Only)	1
2	104969-01	Bottom Door (Charcoal)	1
	104969-02	Bottom Door (Forest Green)	1
3	104174-03	Stove Dropped Bottom	1
4	104970-01	One Leg (Charcoal) (4 Total Per Stove)	1
	104970-02	One Leg (Forest Green) (4 Total Per Stove)	1
5	104971-01	Hardware Kit	1
5-1	*	Door Hinge Step Bolt With Shoulder (1 Per Unit)	1
5-2	*	Door Catch Bolt M8 x 1.25 - 55mm Long With Two M8 Hex Nuts (1 Per Unit)	1
5-3	*	Bottom Floor Bolts M6 x 1 - 25mm Long With Flat Washer And Lock Washer (4 Per Unit)	1
5-4	*	Leg Attachment Stud, Headless, Slotted, M10 x 1.5 - 40mm Long	4
7	104178-01	Back Panel Bolts M6 x 1 - 20mm Long With Flat Washer And Lock Washer (6 Per Unit)	1
PARTS AVAILABLE — NOT SHOWN			
	104108-08	Touch-up Spray Paint 12 oz Can (Charcoal)	1
	104108-05	Touch-up Spray Paint 12 oz Can (Forest Green)	1

* Included In Hardware Kit