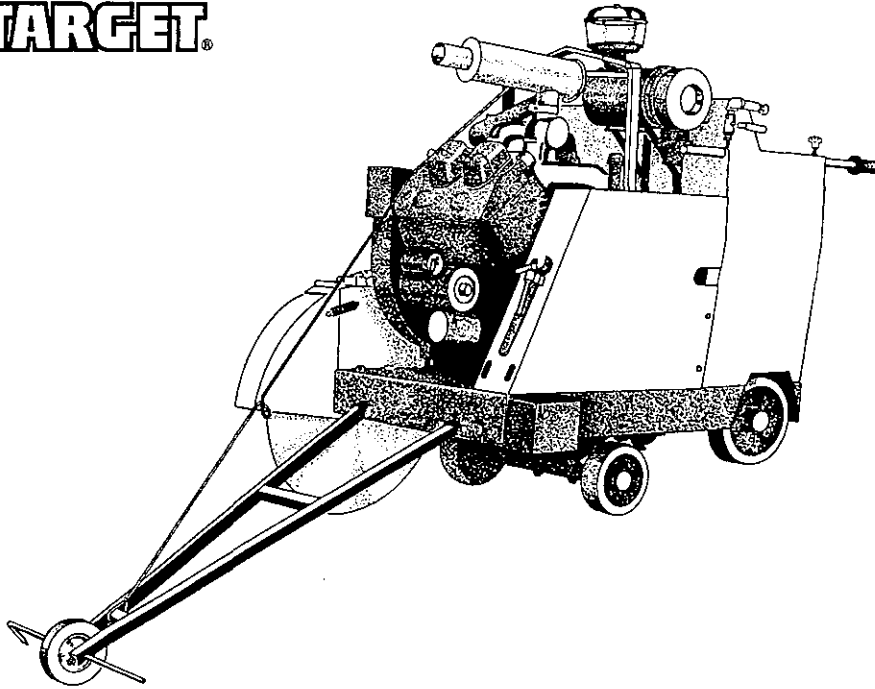


**OPERATING INSTRUCTIONS AND PARTS LIST
INSTRUCCIONES DE OPERACIÓN Y LISTA DE PIEZAS**

TARGET®



PRO 65 II

CONTENTS

ENGLISH	2-5
ESPAÑOL.....	6-9
PARTS LISTS/LISTA DE PIEZAS	10-24

TARGET®

FIGURE 1 - COWL & FRAME GROUP

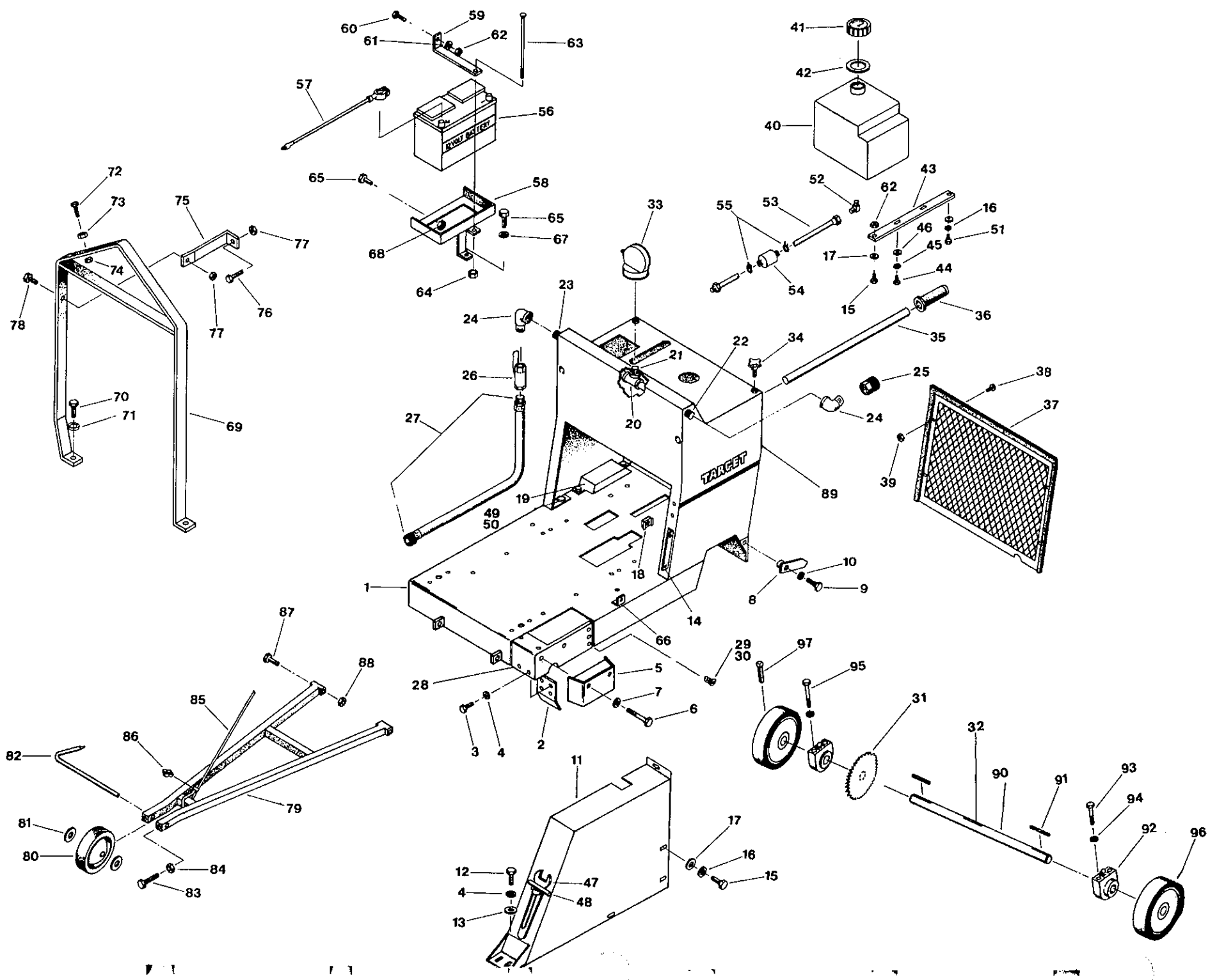


FIGURE 1 - PARTS LIST

DIAG. LOC.	PART NO.	QTY. REQ.	DESCRIPTION (*Denotes Metric Item)	DIAG. LOC.	PART NO.	QTY. REQ.	DESCRIPTION (*Denotes Metric Item)
1	163630	1	Frame Base	53	043740	1	Fuel Line
	163608	1	Sheave Guard	54	045639	1	Fuel Filter
	020323	2	Capscrew, Hex Hd., 3/8"-16 x 1" lg.	55	045641	2	Hose Clamp
4	020786	4	Lockwasher, Split, 3/8"	56	163121	1	Battery
5	163022	1	Shaft Guard	57	163179	1	Battery Cable, Neg., 40" lg.
6	020334	2	Capscrew, Hex Hd., 3/8"-16 x 4" lg.		163180	1	Battery Cable, Pos., 52" lg.
7	020786	2	Lockwasher, Split, 3/8"	58	163055	1	Battery Bracket
8	047091	1	Rear Pointer	59	163056	1	Battery Hold Down Bracket
9	020509	1	Capscrew, Hex Hd., 3/8"-16 x 2" lg.	60	020370	1	Capscrew, Hex Hd., 1/4"-20 x 3/4" lg.
10	020786	1	Lockwasher, Split, 3/8"	61	020762	1	Washer, Flat, SAE 1/4"
11	163733	1	Belt Guard	62	020195	3	Locknut, Fiber, 1/4"-20
12	020322	2	Capscrew, Hex Hd., 3/8"-16 x 3/4" lg.	63	163123	1	Battery Hold Down Bolt
13	020764	2	Washer, Flat, SAE 3/8"	64	020197	1	Locknut, Fiber, 5/16"-18
14	163075	1	Mounting Bracket	65	020322	3	Capscrew, Hex Hd., 3/8"-16 x 3/4" lg.
	020370	2	Capscrew, Hex Hd., 1/4"-20 x 3/4" lg. (NS)	66	139017	1	Tab
	020195	3	Locknut, Fiber, 1/4"-20		020370	2	Capscrew, Hex Hd., 1/4"-20 x 3/4" lg. (NS)
15	020370	6	Capscrew, Hex Hd., 1/4"-20 x 3/4" lg.		020784	2	Lockwasher, Split, 1/4" (NS)
16	020784	6	Lockwasher, Split, 1/4"	67	020786	1	Lockwasher, Split, 3/8"
17	020762	8	Washer, Flat, SAE 1/4"	68	020199	2	Locknut, Fiber, 3/8"-16
18	139052	2	Retainer Nut, 1/4"-20	69	163084	1	Lift Frame
19	163026	2	Fender	70	15700260A	2	Capscrew, Hex Hd., 3/4"-10 x 2" lg.
	020370	4	Capscrew, Hex Hd., 1/4"-20 x 3/4" lg. (NS)	71	020791	2	Lockwasher, Split, 3/4"
	020762	4	Washer, Flat, SAE 1/4" (NS)	72	020509	1	Capscrew, Hex Hd., 3/8"-16 x 2" lg.
	020784	4	Lockwasher, Split, 1/4" (NS)	73	020168	1	Jam Nut, 3/8"-16
20	020730	1	Pipe Tee, 1/2" NPT	74	020136	1	Hex Nut, 3/8"-16
21	020293	1	Close Nipple, 1/2" NPT	75	163655	1	Brace, Lift Bail
22	020280	1	Pipe Nipple, 1/2" NPT x 6" lg.	76	020340	1	Capscrew, Hex Hd., 1/2"-13 x 1-1/4" lg.
23	163623	1	Pipe Nipple, 1/2" NPT x 23" lg.	77	020201	2	Locknut, Fiber, 1/2"-13
24	020810	2	Elbow, 90° Street, 1/2" NPT	78	020464	1	Capscrew, Hex Hd., 1/2"-13 x 1-1/2" lg.
	045642	1	Hose Swivel w/Washer	79	163072	1	Front Pointer Frame
	040261	1	Ball Valve	80	163582	1	Wheel 5"
27	163656	1	Hose Assy., Water, 60" lg.	81	020766	2	Washer, Flat, SAE 1/2"
28	163632	1	Frame Base Corner	82	160196	1	Pointer
29	020445	3	Machine Screw, Flat Hd., 1/4"-20 x 3/4"	83	020377	2	Capscrew, Hex Hd., 3/8"-16 x 1-1/2" lg.
30	020195	3	Locknut, Fiber, 1/4"-20	84	020136	2	Hex Nut, 3/8"-16
31	163251	1	Sprocket w/Set Screw, #50, 35 Tooth	85	043204	1	Sash Cord, 130" lg.
32	020073	1	Key, 1/4" Sq. x 3" lg.	86	043203	3	Cord Clamp
33	047136	1	Water Safety Switch	87	021411	2	Capscrew, Hex Hd., 5/8"-11 x 3-1/2" lg.
34	166038	2	Hand Knob	88	020204	2	Locknut, Fiber, 5/8"-11
35	117194	2	Handle Extension	89	163650	1	Cowl Weldment (decals not shown)
36	139568	2	Hand Grip for Handle		163694	1	Decal, Depth Indicator
37	163250	1	Rear Guard		163697	1	Decal, Operating Instructions
38	020494	4	Machine Screw, Hex Hd., 5/16"-18 x 1" lg.		166315	2	Decal, Pro 65 II
39	020197	4	Locknut, Fiber, 5/16"-18		163716	2	Decal, Target (side)
40	160071	1	Fuel Tank		166092	1	Decal, Target (rear)
41	160194	1	Fuel Cap w/Gauge		163233	1	Decal, Positive Depth Stop
42	045390	1	Grommet, Rubber		163696	1	Decal, Instrument Panel
43	163025	2	Mounting Bar, Fuel Tank		163695	1	Decal, Throttle and Choke
44	020313	4	Capscrew, Hex Hd., 5/16"-18 x 3/4" lg.		163719	1	Decal, Raise & Lower
45	020785	4	Lockwasher, Split, 5/16"	90	163024	1	Rear Axle
46	020742	4	Washer, Flat, SAE 5/16"	91	163130	2	Key, 1/4" Sq. x 3-1/4" lg.
47	163281	1	Wrench-15/16" (Q.D. Bladeshaft)	92	047161	2	Bearing w/Grease Fitting
	043650	1	Wrench (STD Bladeshaft)	93	021415	2	Capscrew, Hex Hd., 1/2"-3 x 3-1/4" lg.
48	048510	1	Pin	94	020788	4	Lockwasher, Split, 1/2"
49	020339	6	Capscrew, Hex Hd., 1/2"-13 x 1"	95	021404	2	Capscrew, Hex Hd., 1/2"-13 x 3" lg.
50	020788	6	Lockwasher, Split, 1/2"	96	162065	2	Wheel w/Setscrew, 10" x 3" x 1-1/4" dia.
51	021423	2	Capscrew, Hex Hd., 1/4"-20 x 1/2" lg.	97	020531	4	Setscrew, Square Hd., 5/16"-18 x 1" lg.
52	046296	1	Brass Elbow	98	163245	1	Grommet 5/8" ID (Not Shown)

FIGURE 2 - PARTS LIST

DIAG. LOC.	PART NO.	QTY. REQ.	DESCRIPTION (*Denotes Metric Item)	DIAG. LOC.	PART NO.	QTY. REQ.	DESCRIPTION (*Denotes Metric Item)
	163701	1	Engine, 65 HP	31	020747	1	Washer, Flat, 5/8", Quick Disconnect
	015071	1	Oil Filter	32	163488	1	Capscrew, Hex Hd., 5/8"-11 x 3-1/2" lg. Quick Disconnect L.H. Thread
2	015073	1	Muffler	33	043054	2	Key, 1/4" Sq. x 27/32" lg. Round End
	163583	1	Muffler, Quiet	34	020076	1	Key, 3/8" Sq. x 4" lg.
	163578	1	Muffler, Upright	35	163137	2	Bearing, Roller 1-3/4" dia.
	163580	1	Rain Cap 2" (Not Shown)		160575	2	Bearing, Ball 1-3/4" dia.
	163579	1	Muffler Clamp, 2-1/2" (Not Shown)	36	163140	2	Grease Fitting, 1/8 NPT x 2-5/8" (roller)
3	020050	1	Hose Clamp	37	163136	4	Capscrew, Hex Hd., 5/8"-18 x 3" (roller)
4	163644	1	Hose, Air Intake		163547	4	Capscrew, Hex Hd., 5/8"-18 x 3-1/2" (ball)
5	15700702	1	Hose Clamp	38	020790	4	Lockwasher, Split, 5/8"
6	163664	1	Indicator, Filter	39	048067	1	Pulley w/SS, 8G3VX 4.12 OD 14" & 18"
7	020380	1	Capscrew, Hex Hd., 3/8"-16 x 1-3/4" lg.		163723	1	Pulley w/SS, 10G3VX 4.12 OD 26"
8	020199	1	Locknut, Fiber, 3/8"-16		163724	1	Pulley w/SS, 10G3VX 5.20 OD 30" & 36"
9	163658	1	Air Cleaner Assy.	40	043040	1	Outer Flange w/Dowel Pin, 4-1/2" dia., 14", 18" & 26"
	163659	1	Filter Element, Primary		043048	1	Outer Flange w/Dowel Pin, 6" dia., 30" & 36"
	163660	1	Filter Element, Safety	41	045863	2	Inner Flange, 4-1/2" dia., 14", 18" & 26"
	015002	1	Rubber Dust Unloader		043036	2	Inner Flange, 6" dia., 30" & 36"
10	15700704	1	Pre-Cleaner	42	020017	1	Hex Nut, 1"-14 UNF LH Thread (right side)
11	045631	2	Mounting Band	43	043051	1	Thread Protector Sleeve
12	020766	3	Washer, Flat, 1/2"	44	020018	1	Hex Nut, 1"-14 UNF RH Thread (left side)
13	020313	4	Capscrew, Hex Hd., 5/16"-18 x 3/4" lg.	45	047008	1	Blade Shaft, Standard
14	020197	4	Locknut, Fiber, 5/16"-18	46	163313	1	Blade Shaft Assy., Standard, 14" & 18" (Incl. Items 33-45) w/Roller Bearing
15	163015	1	Bracket, Engine Base, left		163314	1	Blade Shaft Assy., Standard, 26" (Incl. Items 33-45) w/Roller Bearing
16	166320	1	Bracket, Engine Base, right		163315	1	Blade Shaft Assy., Standard, 30" & 36" (Incl. Items 33-45) w/Roller Bearing
17	020340	6	Capscrew, Hex Hd., 1/2"-13 x 1-1/4" lg.	47	047005	2	Spacer, Blade Shaft (ball bearing only)
18	020788	6	Lockwasher, Split, 1/2"	48	020272	1	Belt Adjustment Bolt, full thread
19	021431	2	Capscrew, Hex Hd., 5/8"-11 x 3" lg.	49	163259	1	Clip, Idler Spring
20	160393	2	Washer, 5/8" x 5/16" thick	50	163260	1	Spring, Idler
	020204	2	Locknut, Fiber, 5/8"-11	51	172605	1	Bolt, Hex Tap, 3/8"-16 x 1-3/4" lg.
	15701291	2	Capscrew, Hex Hd., 5/8"-11 x 1-3/4" lg.	52	020168	1	Nut, Hex Jam, 3/8"-16
23	020790	2	Lockwasher, Split, 5/8"	53	043451	1	Idler Arm
24	166316	1	Blade Shaft Assy. Quick Disconnect, 14", 18" (Incl. Items 25-39), Roller Bearing	54	167764	1	Pulley 1G4L 3.0 3/8" M10 w/Bushing
	166317	1	Blade Shaft Assy. Quick Disconnect, 26" (Incl. Items 25-39) Roller Bearing	55	048073	1	Pulley, Engine, 8G3VX4.75 OD 14" & 18"
	163318	1	Blade Shaft Assy. Quick Disconnect, 30", 36" (Incl. Items 25-39), Roller Bearing		163725	1	Pulley, Engine, 11G3VX3.65 OD w/SS, 26", 30" & 36"
25	163098	1	Blade Shaft, Quick Disconnect	56	175138	1	V-Belt, set of 2, 3VX520, 14" & 18" - 4 band
26	166307	1	Outer Flange w/Dowel Pin, Quick Disconnect, 14", 18" & 26", 5" dia.		175139	1	V-Belt, set of 2, 3VX500, 26" - 5 band
	163272	1	Outer Flange w/Dowel Pin, Quick Disconnect, 30" & 36", 6" dia.		175140	1	V-Belt, set of 2, 3VX520, 30" & 36" - 5 band
27	020304	1	Dowel Pin	57	047121	1	Pulley 1GA 3.5-2.0 w/SS, 14" & 18"
28	166284	2	Inner Flange, Quick Disconnect, 14", 18", & 26", 5" dia.	58	163684	1	Key, Bevel End, 1/2" Sq. x 5-1/4" lg.
	163270	2	Inner Flange, Quick Disconnect, 30" & 36", 6" dia.	59	046230	1	V-Belt, Accessory, A-54, 14" & 18"
29	163487	1	Capscrew, Hex Hd., 5/8"-11 x 3-1/2" lg. Quick Disconnect R.H. Thread		166082	1	V-Belt, Accessory, 3VX545 26", 30", 36" & 48"
30	020790	2	Lockwasher, Split, 5/8", Quick Disconnect	60	163577	1	Hose, Oil Drain
				61	163594	1	Bracket
				62	020322	2	Capscrew, Hex Hd., 3/8"-16 x 3/4" lg.
				63	020786	2	Lockwasher, Split, 3/8"

FIGURE 3 - SELF-PROPELLING GROUP

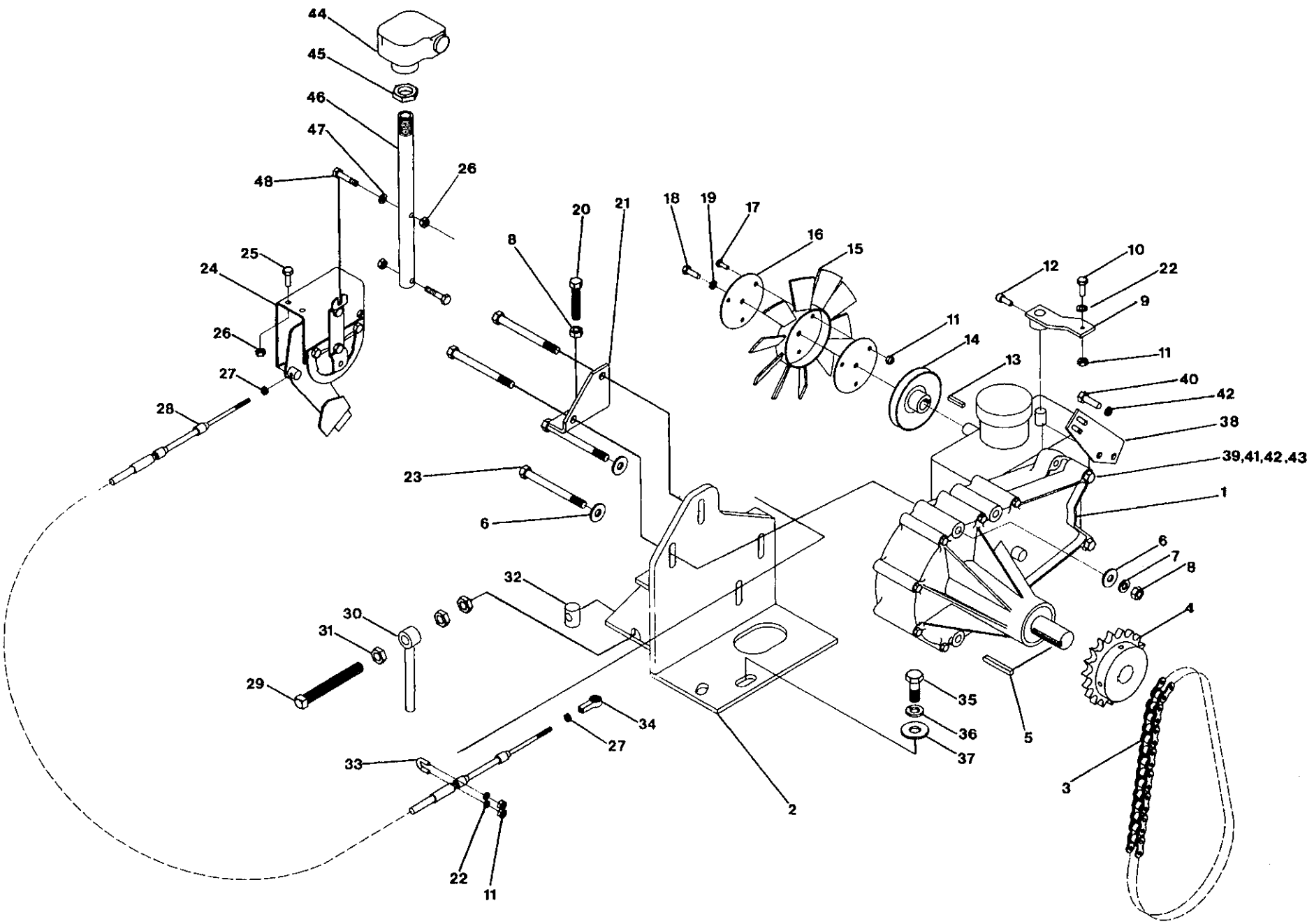


FIGURE 3 - PARTS LIST

DIAG. LOC.	PART NO.	QTY. REQ.	DESCRIPTION (*Denotes Metric Item)	DIAG. LOC.	PART NO.	QTY. REQ.	DESCRIPTION (*Denotes Metric Item)
1	163611	1	Transmission Assy.	23	020334	4	Capscrew, Hex Hd., 3/8"-16 x 4"
	166203	1	Hydro Transmission Only	24	166026	1	Speed Control Lever
	175073	1	Reservoir Assy. Only	25	020370	4	Capscrew, Hex Hd., 1/4"-20 x 3/4"
	166204	1	Gearbox Only (See Fig. 3A)	26	020195	6	Locknut, Fiber, 1/4"-20
2	163978	1	Support	27	136685	2	Nut, Jam, #10-32
3	163643	1	Chain, #50 x 60 Pitch w/Connector, 14" & 18"	28	164616	1	Cable, Speed Control
	163680	1	Chain, #50 x 56 Pitch w/Connector, 26", 30", 36" & 48"	29	020219	1	Setscrew, Square Hd., 1/2"-13 x 4"
4	163728	1	Sprocket, w/SS, 27 Tooth #50, 14" & 18"	30	163132	1	Guide Pin
	163729	1	Sprocket, w/SS, 19 Tooth #50, 26", 30", 36" & 48"	31	020177	3	Nut, Hex Jam, 1/2"-13
5	163686	1	Key, 1/4" Sq. x 1-3/4"	32	045071	1	Swivel
6	020743	6	Washer, Flat, 3/8"	33	046195	1	Clamp, Cable
7	020786	4	Lockwasher, Split, 3/8"	34	046591	1	Rod End, #10-32
8	020136	5	Nut, Hex, 3/8"-16	35	020340	1	Capscrew, Hex Hd., 1/2"-13 x 1-1/4"
*9	167611	1	Lever, Control (Metric)	36	020788	1	Lockwasher, Split, 1/2"
10	020411	1	Machine Screw, Hex Hd., #10-24 x 3/4"	37	020745	1	Washer, Flat, 1/2"
11	020194	6	Locknut, Fiber, #10-24	38	163984	1	Bracket, Cable Support
*12	173046	1	Capscrew, Socket Hd., M6 x 1.0 x 20mm	39	020374	1	Capscrew, Hex Hd., 5/16"-18 x 3"
13	020060	1	Key, 3/16" Sq. x 1"	40	020313	1	Capscrew, Hex Hd., 5/16"-18 x 3/4"
14	163734	1	Pulley, 1Gr. w/SS	41	020742	1	Washer, Flat, 5/16"
15	163105	1	Fan Blade	42	020785	2	Lockwasher, Split, 5/16"
16	163040	2	Plate, Fan Attachment	43	020134	1	Nut, Hex, 5/16"-18
17	020430	3	Machine Screw, Hex Hd., #10-24 x 1/2"	44	163948	1	Handle & Switch
*18	163688	1	Capscrew, Hex Hd., M6 x 1 x 16	45	15700353	1	Nut, Hex Jam, 3/4"-16
*19	163689	1	Lockwasher, Split, M6	46	163946	1	Lever
20	020155	1	Setscrew, Square Hd., 3/8"-16 x 2"	47	020762	1	Washer, Flat, 1/4"
*21	167614	1	Bracket, Adjustment	48	020372	2	Capscrew, Hex Hd., 1/4"-20 x 1-1/4"
22	020771	3	Washer, Flat, #10				

FIGURE 3A - TRANSMISSION DETAIL

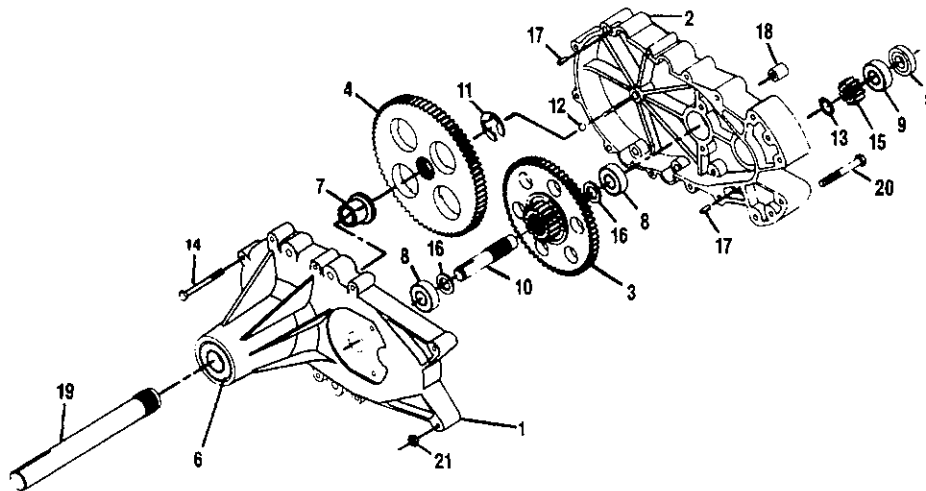


FIGURE 3A - DETAIL PARTS LIST FOR 166204

DIAG. LOC.	PART NO.	QTY. REQ.	DESCRIPTION (*Denotes Metric Item)	DIAG. LOC.	PART NO.	QTY. REQ.	DESCRIPTION (*Denotes Metric Item)
1	166101	1	Axle Carrier Housing	12	166112	1	Ball 3/8" Dia.
2	166102	1	Hydro Mount Housing	13	166113	1	Retaining Ring
3	166103	1	Splined Reduction Gear	14	166114	8	Capscrew, Hex Hd., 1/4"-20 x 2-1/2"
4	166104	1	Splined 72 Tooth Final Drive Gear	15	166115	1	Gear, Input, 11 Tooth
	166105	1	Bearing Spacer	16	166116	2	Washer, .62 ID x 1.0 OD x .05
	166106	1	Ball Bearing, 52mm x 25mm x 15mm	17	166117	2	Pin, Spring, 3/16" x 1/2"
7	166107	1	Flanged Bearing	18	166118	2	Spacer, Mounting
8	166108	2	Ball Bearing, .62ID x 1.38 x .44	19	166119	1	Axle Shaft, Straight
*9	166109	1	Ball Bearing, 15mm x 35mm x 11mm	20	020374	2	Capscrew, Hex Hd., 5/16"-18 x 3"
10	166110	1	Brake Shaft, Splined	21	020134	2	Nut, Std. Hex, 5/16"-18
11	166111	1	"E" Ring				

FIGURE 4 - BOLT-ON BLADE GUARD

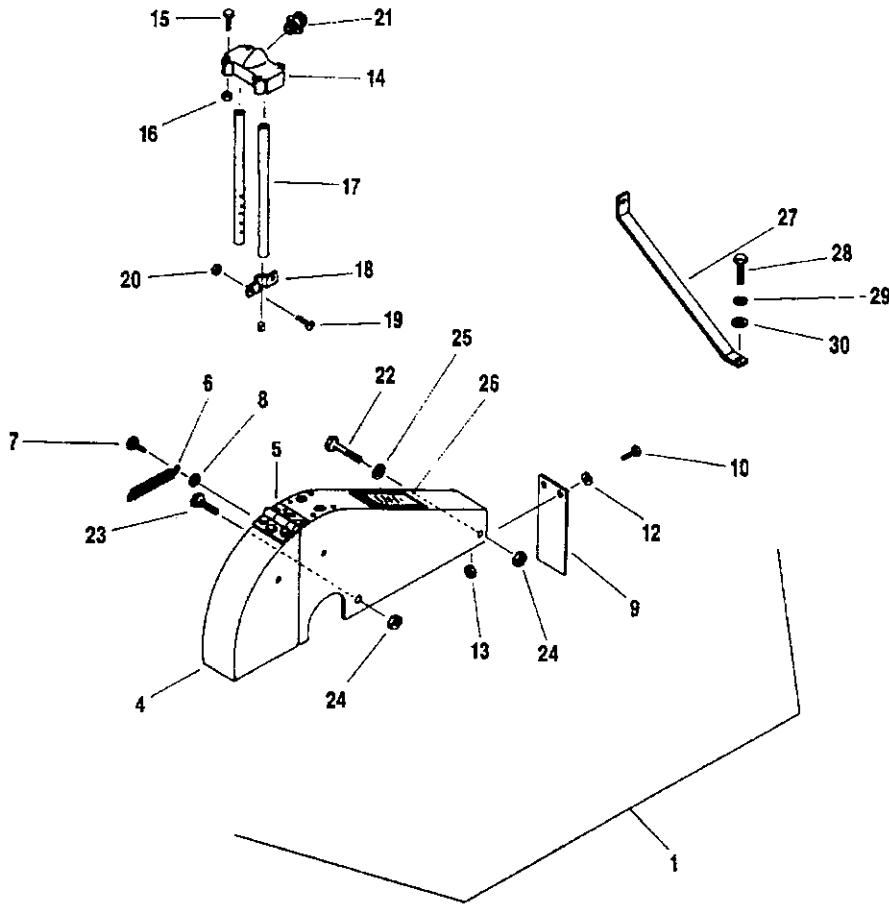


FIGURE 4 - PARTS LIST

DIAG. LOC.	PART NO.	QTY. REQ.	DESCRIPTION (*Denotes Metric Item)	DIAG. LOC.	PART NO.	QTY. REQ.	DESCRIPTION (*Denotes Metric Item)
*1	174272	1	Kit, 14" Blade Guard-Complete (Incl Items 4-26)	*15	167551	4	Capscrew, Hex Hd., M6 x 1.0 x 40mm
*	174273	1	Kit, 18" Blade Guard-Complete (Incl Items 4-26)	*16	139745	4	Locknut, Fiber, M6 x 1.0
*	167475	1	26" Blade Guard-Complete (Incl Items 4-26)	17	161003	2	Water Tube w/ Pipe Plug-14"
*	167676	1	30" Blade Guard-Complete (Incl Items 4-26)	161004	2	Water Tube w/ Pipe Plug-18"	
*	174275	1	36" Blade Guard-Complete (Incl Items 4-26)	161005	2	Water Tube w/ Pipe Plug-26"	
*	174276	1	48" Blade Guard-Complete (Incl Items 4-26)	161006	2	Water Tube w/ Pipe Plug-30"	
2				161007	2	Water Tube w/Pipe Plug-36"	
3				163925	2	Water Tube w/Pipe Plug-48"	
4	160877	1	Guard, Front only, 14"	18	049212	2	Clamp, Water Tube
	160523	1	Guard, Front only, 18"	*19	139760	4	Screw, Flat Hd., M6 x 1.0 x 20mm
	049185	1	Guard, Front only, 26"	*20	139745	4	Locknut, Fiber, M6 x 1.0
	160526	1	Guard, Front only, 30"	21	040275	1	Hose Adapter
	160529	1	Guard, Front only, 36"	22	020352	1	Capscrew, Hex Hd., 1/2"-13 x 5 (14" & 18" Gd. Only)
	163920	1	Guard, Front only, 48"	*	167531	1	Capscrew, Hex Hd., M12 x 1.75 x 130mm (14" & 18" Gd. Only)
5	049154	1	Hinge	*	167532	1	Capscrew, Hex Hd., M12 x 1.75 x 140mm
*5A	167478	6	Capscrew, Hex Hd., M8 x 1.25 x 25mm (Full Thd)	*23	139751	1	Capscrew, Hex Hd., M12 x 1.75 x 25mm
*5B	173059	6	Washer, Flat, M8	24	020201	1	Locknut, Fiber, 1/2"-13 (14" & 18" Gd. Only)
*5C	139738	6	Locknut, Fiber, M8 x 1.25	*	139742	2	Locknut, Fiber, M12 x 1.75
6	043145	1	Spring	25	020788	1	Lockwasher, Split, 1/2"
*7	139761	2	Capscrew, Hex Hd., M6 x 1.0 x 20mm	26	046128	1	Decal, Caution
*8	172017	4	Nut, Std. Hex, M6 x 1.0	27	163537	1	Brace, Blade Guard, 26"
9	163275	1	Guard, Splash	163540	1	Brace, Blade Guard, 30" & 36"	
*10	139761	2	Capscrew, Hex Hd., M6 x 1.0 x 20mm	163929	1	Brace, Blade Guard, 48"	
*11				*28	139749	1	Capscrew, Hex Hd., M10 x 1.5 x 25mm
*12	139746	2	Washer, Flat, M6	*29	162004	1	Lockwasher, Split, M10
13	139745	2	Locknut, Fiber, M6 x 1	*30	173014	1	Washer, Flat, M10
14	049196	1	Manifold, Water				
	049206	1	Gasket, Manifold				

FIGURE 5 - SLIP-ON BLADE GUARD

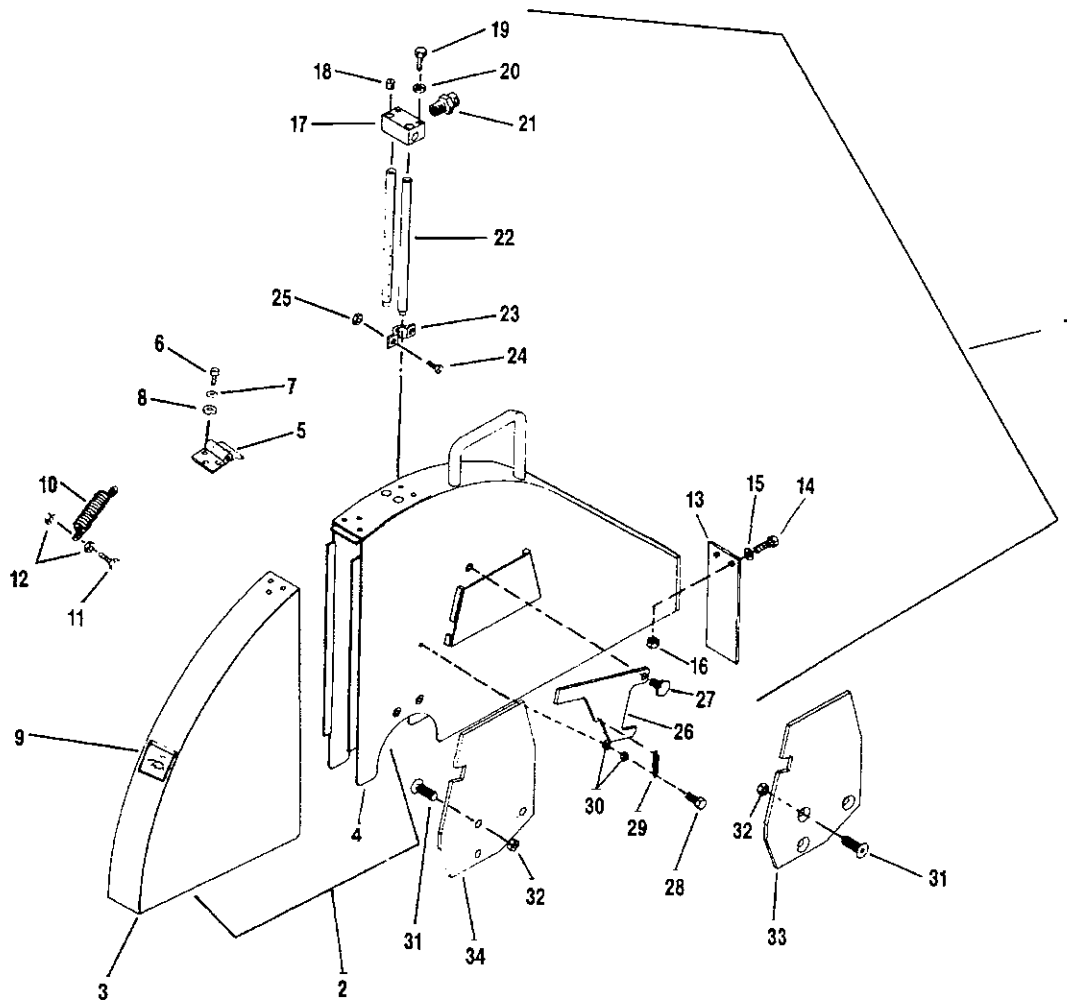


FIGURE 5 - PARTS LIST

DIAG. LOC.	PART NO.	QTY. REQ.	DESCRIPTION (*Denotes Metric Item)	DIAG. LOC.	PART NO.	QTY. REQ.	DESCRIPTION (*Denotes Metric Item)
*1	167492	1	Blade Guard-14" (Includes Items 3, 5-30)	*20	163689	2	Lockwasher, Split, M6
*	167495	1	Blade Guard-18" (Includes Items 3, 5-30)	21	040275	1	Adapter 3/8" NPT x 3/4" Male Garden Hose
*	167498	1	Blade Guard-26" (Includes Items 3, 5-30)	22	164449	2	Water Tube-14"
*3	174050	1	Kit, Front Guard Weldment-14" (Incl. 5-9, 36)		163394	2	Water Tube-18"
*	174051	1	Kit, Front Guard Weldment-18" (Incl. 5-9, 36)		163427	2	Water Tube-26"
*	174052	1	Kit, Front Guard Weldment-26" (Incl. 5-9, 36)	23	163395	2	Clamp, Water Tube
5	167824	1	Hinge	*24	167818	4	Screw, Flat Hd., M6 x 1.0 x 16mm
*6	197227	6	Capscrew, Hex Hd., M8 x 1.25 x 20mm	*25	139745	4	Locknut, Fiber, M6 x 1.0
*7	173019	6	Lockwasher, M8	26	165986	2	Latch
*8	173059	6	Washer, Flat, M8	*27	167503	2	Bolt, Pivot, M8 x 1.25 (Special)
9	046128	1	Decal, Caution	*28	167761	2	Capscrew, Hex Hd., M5 x 0.8 x 20mm
10	043145	1	Spring	29	163188	2	Spring
*11	139761	2	Capscrew, Hex Hd., M6 x 1.0 x 20mm	*30	172011	2	Nut, Hex, M5 x 0.8
*12	172017	4	Nut, Std. Hex, M6 x 1.0	*31	167491	6	Capscrew, Counter Sunk Hd., M10 x 1.5 x 25mm
	163389	1	Guard, Splash	*32	139748	5	Locknut, Fiber, Hex, M10 x 1.5
	139761	2	Capscrew, Hex Hd., M6 x 1.0 x 20mm	*33	174053	1	Kit, LH Spade (Metric) (Incl. Items 31, 32, 36)
*15	139746	2	Washer, Flat, M6	*34	174054	1	Kit, RH Spade (Metric) (Incl. Items 31, 32, 36)
*16	139745	2	Locknut, Fiber, M6 x 1.0	*35	167624	1	14" Kit-Slip On Blade Guard (Field Installed)
17	163388	1	Manifold	*	167625	1	18" Kit-Slip On Blade Guard (Field Installed)
18	020864	2	Plug, 1/8" NPT, Socket Hd., Brass	*	167626	1	26" Kit-Slip On Blade Guard (Field Installed)
*19	139759	2	Capscrew, Hex Hd., M6 x 1.0 x 45mm	36	0A7665	1	Instruction Sheet, Blade Guard & Spade Kits

FIGURE 6 - LIFT ASSEMBLY

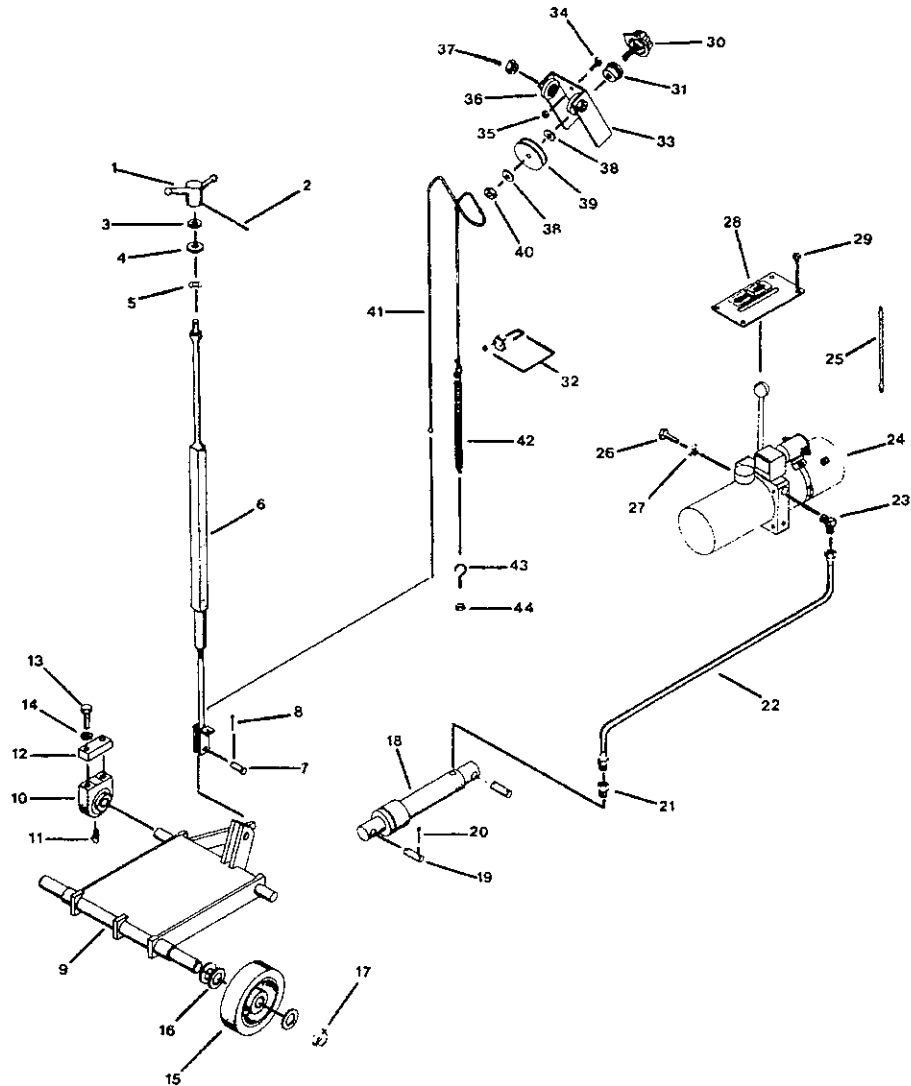


FIGURE 6 - PARTS LIST

DIAG. LOC.	PART NO.	QTY. REQ.	DESCRIPTION (*Denotes Metric Item)	DIAG. LOC.	PART NO.	QTY. REQ.	DESCRIPTION (*Denotes Metric Item)
1	047591	1	Handle	24	166125	1	Hydraulic Pump
2	020641	1	Pin, Roll, 3/16" x 1-1/4"	25	048542	1	Battery Cable, Pos.
3	020745	1	Washer, Flat, 1/2"	139260	1	Battery Cable, Neg.	
4	046424	1	Washer, Fiber	*26	173005	3	Capscrew, Hex Hd., M10 x 1.5 x 16mm
5	046425	1	Washer, Bowed	*27	162004	3	Lockwasher, Split, M10
6	163238	1	Stem Assy.	28	166083	1	Cover Plate, w/Decal
7	160164	1	Pin, Pivot	163719	1	Decal, Raise/Lower	
8	020612	1	Cotter Pin, 3/32" x 3/4"	29	020587	4	Screw, Self-Tapping, #10-24 x 3/8"
9	163605	1	Front Axle Assembly	30	163261	1	Pointer Knob
10	047161	2	Bearing, 1-1/4"	31	043696	1	Bearing
11	041175	2	Fitting, Grease	32	043698	1	Cable Clamp
12	163044	2	Riser Block	33	043711	1	Bracket, Mounting
13	020351	4	Capscrew, Hex Hd., 1/2"-13 x 4-1/2"	34	020602	2	Machine Screw, Pan Hd., #10-24 x 1/2"
14	020788	4	Lockwasher, Split, 1/2"	35	020194	2	Locknut, Fiber, #10-24
15	047150	2	Wheel, 8" x 2-1/2" x 1"	36	030822	2	Pulley & Bearing
	047152	2	Seal & Bearing Kit	37	032366	2	Locknut, 5/16"-18 KEPS
16	020751	6	Washer, Flat, 1"	38	020763	2	Washer, Flat, SAE 5/16"
17	048078	2	Collar, Set, 1" (Includes Item 17A)	39	043694	1	Plastic Cable Pulley
18	048310	1	Hydraulic Cylinder	40	020197	1	Locknut, Fiber, 5/16"-18
19	048321	2	Pin, Hydraulic Cylinder	41	163228	1	Cable Assy.
20	020622	4	Cotter Pin, 3/16" x 2"	42	163168	1	Spring
21	163610	1	Fitting, Adapter, 3/8" Pipe, 1/4" Tube	43	020250	1	Eye Bolt, 1/4"-20
22	163642	1	Hose Assembly, 36" lg.	44	020133	1	Nut, Hex Jam, 1/4"-20
23	163035	1	Fitting, Elbow 90°, 1/4" Tube, 3/8" O-Ring				

FIGURE 7 - HYDRAULIC PUMP GROUP

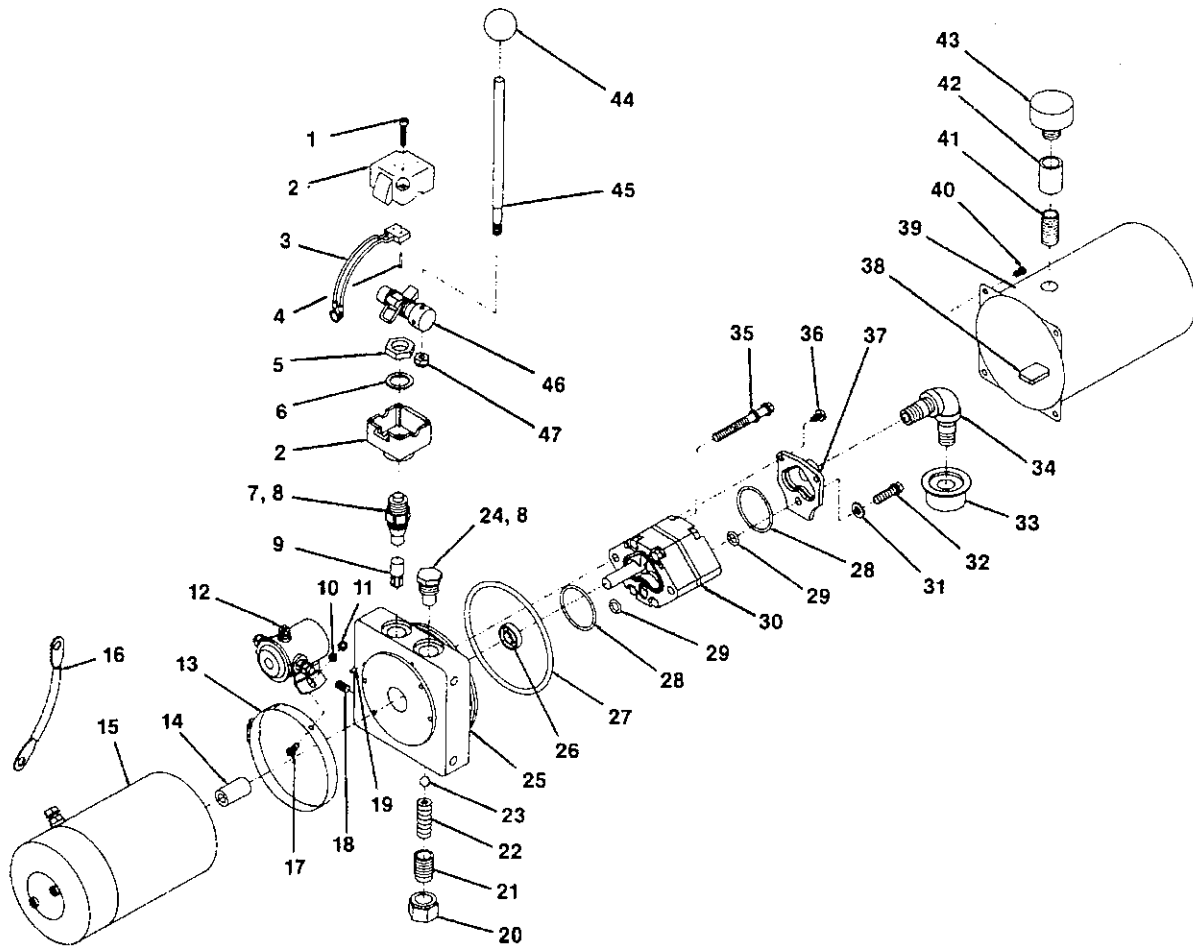


FIGURE 7 - PARTS LIST FOR 166125

DIAG. LOC.	PART NO.	QTY. REQ.	DESCRIPTION (*Denotes Metric Item)	DIAG. LOC.	PART NO.	QTY. REQ.	DESCRIPTION (*Denotes Metric Item)
1	166260	2	Capscrew, Socket Hd., #10-32 x 1" lg.	29	166263	2	O-Ring
2	166261	1	Bracket, Release	30	166242	1	Pump Assy.
3	166338	1	Switch, Electric (Sealed)	31	166232	1	Washer, 0.338 x 0.625 x 0.06
4	166259	2	Screw, #2-56 x 3/8"	32	166236	1	Bolt, 5/16"-18 x 1" Torx
5	166265	1	Nut, Jam, 3/4"-16 x 1/4" Thick	33	048213	1	Filter, Inlet Screen
6	166266	1	Washer, Internal Tooth	34	166244	1	Plumbing Assy. Inlet
7	166245	1	Valve, Cartridge, Release	35	166228	2	Bolt, 5/16"-24 x 2.75" Torx
8	045659	2	O-Ring	*36	166234	2	Screw, M6 x 1.0 x 12 mm Taptite
9	166239	1	Valve, Flo-Control .5 GPM	37	166233	1	Cover, Suction 3/8" NPT
10	020740	2	Washer, Flat, 3/16"	38	163327	1	Magnet
11	020132	2	Nut, #10-24	39	166243	1	Reservoir
12	166121	1	Solenoid Switch	40	166238	4	Screw, Hex Washer Hd., #12-24 x .29
13	166262	1	Clamp, Hose	41	166098	1	Nipple, Close 3/8" NPT
14	166229	1	Coupling, Drive	42	020847	1	Coupling, 3/8" NPT
15	048205	1	Motor, 12V DC	43	043871	1	Breather, 3/8" NPT
16	163344	1	Cable, Motor	44	166255	1	Knob
17	020462	2	Screw, Pan Hd., #10-24 x 1/2"	45	166257	1	Handle
18	170569	1	Plug, 1/16" NPT	46	166337	1	Cam & Shaft Assy. (includes 46A-46H)
19	045664	1	Pin, 1/8 x 1/4	46A	166247	1	Pin, Roll .156" Dia. x 5/8"
20	048297	1	Relief Cap Assy (w/ O-Ring)	46B	166248	2	E-Series Circlip
21	048202	1	Screw, Adjustment	46C	166249	1	Pin, Roll .156" Dia. x 7/8"
22	166237	1	Spring	46D	166250	1	Pin, Roll .156" Dia. x 1-3/8"
23	166230	1	Ball, 3/8" Steel	46E	166251	1	Spring, Torsion
24	166235	1	Valve, Cartridge, Check	46F	166252	1	Cam
25	166241	1	Endhead	46G	166253	1	Camshaft
26	166231	1	Seal, Shaft	46H	166254	2	Bushing
27	166240	1	O-Ring	47	166256	1	Locknut, Fiber, 5/16"-24
28	166264	2	O-Ring				

FIGURE 8 - 48" CONVERSION KIT

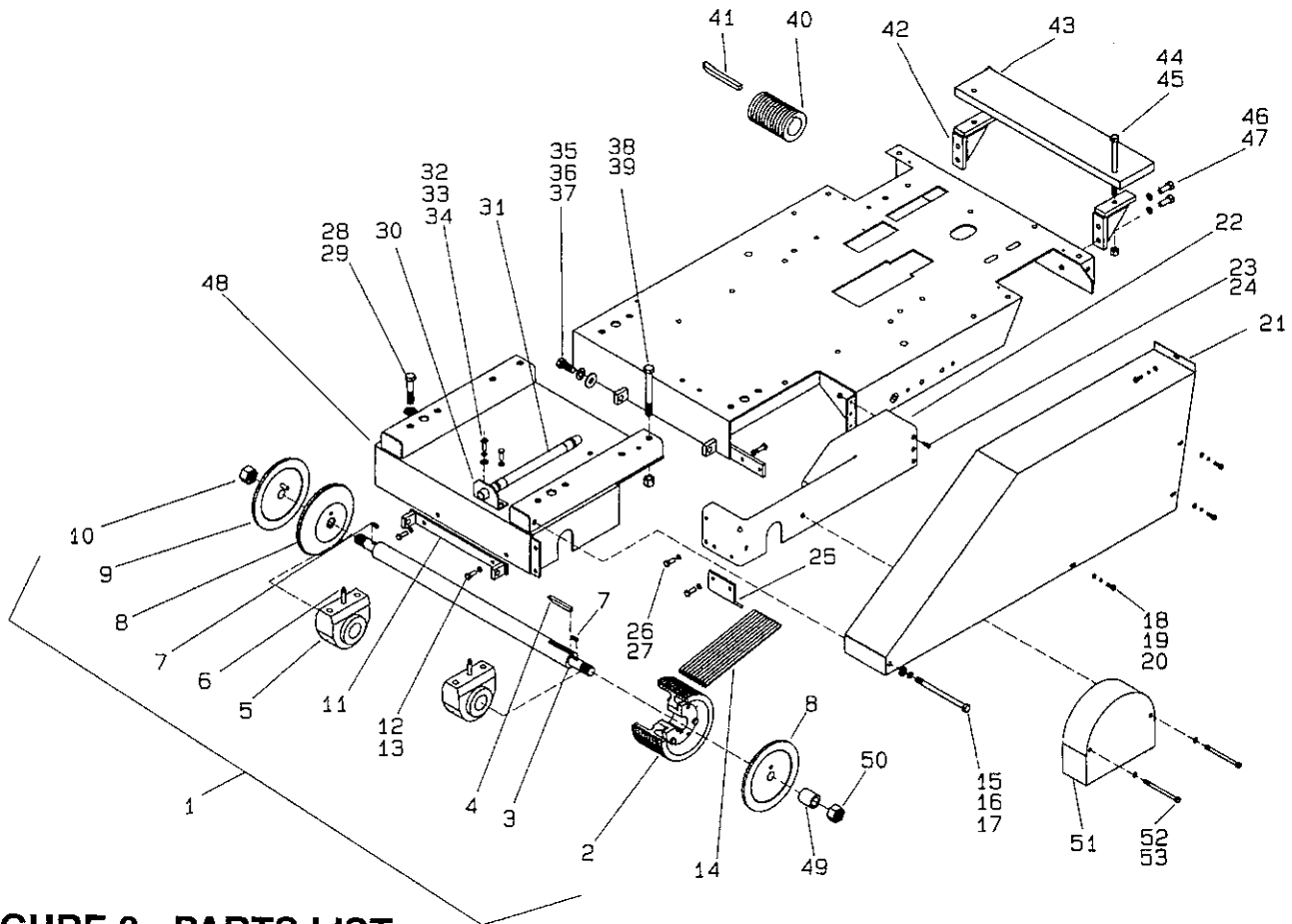


FIGURE 8 - PARTS LIST

DIAG. LOC.	PART NO.	QTY. REQ.	DESCRIPTION (*Denotes Metric Item)	DIAG. LOC.	PART NO.	QTY. REQ.	DESCRIPTION (*Denotes Metric Item)
1	163931	1	Replacement Blade Shaft Assy. (Incl. Items 2-10)	27	020786	6	Lockwasher, Split, 3/8"
2	163879	1	Pulley Assy. w/Bushing	28	163136	4	Capscrew, Hex Hd., 5/8"-18 x 3" lg.
	163880	1	Pulley, 10G3V7.60	29	020790	4	Lockwasher, Split, 5/8"
	160642	1	Bushing, 1-3/4"	30	163594	1	Bracket, Oil Drain
3	047008	1	Blade Shaft	31	163907	1	Hose, Oil Drain
4	020092	1	Key, 3/8" Sq. x 3-1/4" lg., Beveled End	32	020322	2	Capscrew, Hex Hd., 3/8"-16 x 3/4" lg.
5	163137	2	Bearing, Roller 1-3/4" dia.	33	020786	2	Lockwasher, Split, 3/8"
6	163140	2	Grease Fitting, 1/8" NPT x 2-5/8" lg.	34	020743	1	Washer, Flat, 3/8"
7	043054	2	Key, 1/4" Sq. x 27/32" Round End	35	021419	2	Capscrew, Hex Hd., 5/8"-11 x 1-1/2" lg.
8	163883	2	Blade Flange, Inner 8" ID	36	020790	2	Lockwasher, Split, 5/8"
9	163898	1	Blade Flange, Outer w/Dowel Pin	37	020747	2	Washer, Flat, 5/8"
	020304	1	Dowel Pin, 3/8" dia. x 1-1/2"	38	163906	4	Capscrew, Hex Hd., 5/8"-11 x 5-1/2" lg.
10	020017	1	Hex Nut, 1"-14 UNF LH Thread	39	020204	4	Locknut, Fiber, 5/8"-11
11	163871	1	Bracket, Front Pointer	40	163893	1	Pulley, 11G3.35 w/SS
12	020323	2	Capscrew, Hex Hd., 3/8"-16 x 1" lg.	41	163684	1	Key, 1/2" Sq. x 5-1/4"
13	020786	2	Lockwasher, Split, 3/8"	42	138059	2	Weight Bracket
14	175141	1	V-Belt, Set of 2, 3VX710 - 5 band	43	163927	6	Weight
15	165297	1	Capscrew, Hex Hd., 1/2"-13 x 7" lg.	44	046897	2	Capscrew, Hex Hd., 1/2"-13 x 7-1/2" lg.
16	020788	1	Lockwasher, Split, 1/2"	45	020201	2	Locknut, Fiber, 1/2"-13
17	020745	1	Washer, Flat, 1/2"	46	020340	2	Capscrew, Hex Hd., 1/2"-13 x 1-1/4" lg.
18	020370	5	Capscrew, Hex Hd., 1/4"-20 x 3/4" lg.	47	020788	2	Lockwasher, Split, 1/2"
19	020784	5	Lockwasher, Split, 1/4"	48	163865	1	Frame Extension, Weldment
20	020762	5	Washer, Flat, 1/4"	49	043051	1	Thread Protector Sleeve
21	163899	1	Belt Guard Assy.	50	020018	1	Hex Nut, 1"-14 UNF Thread
22	163875	1	Cover	51	166344	1	Shaft Guard
23	020445	3	Screw, Flat Head Machine, Slotted, 1/4"-20 x 3/4" lg.	52	020334	2	Capscrew, Hex Hd., 3/8"-16 x 4"
24	020195	3	Locknut, Fiber, 1/4"-20	53	020786	2	Lockwasher, Split, 3/8"
25	163901	1	Sheave Guard		174274	1	Complete Conversion Kit Includes 48" Blade Guard & Brace (see page 10)
26	020322	6	Capscrew, Hex Hd., 3/8"-16 x 3/4" lg.				

FIGURE 9 - SIDE PLUNGE KIT

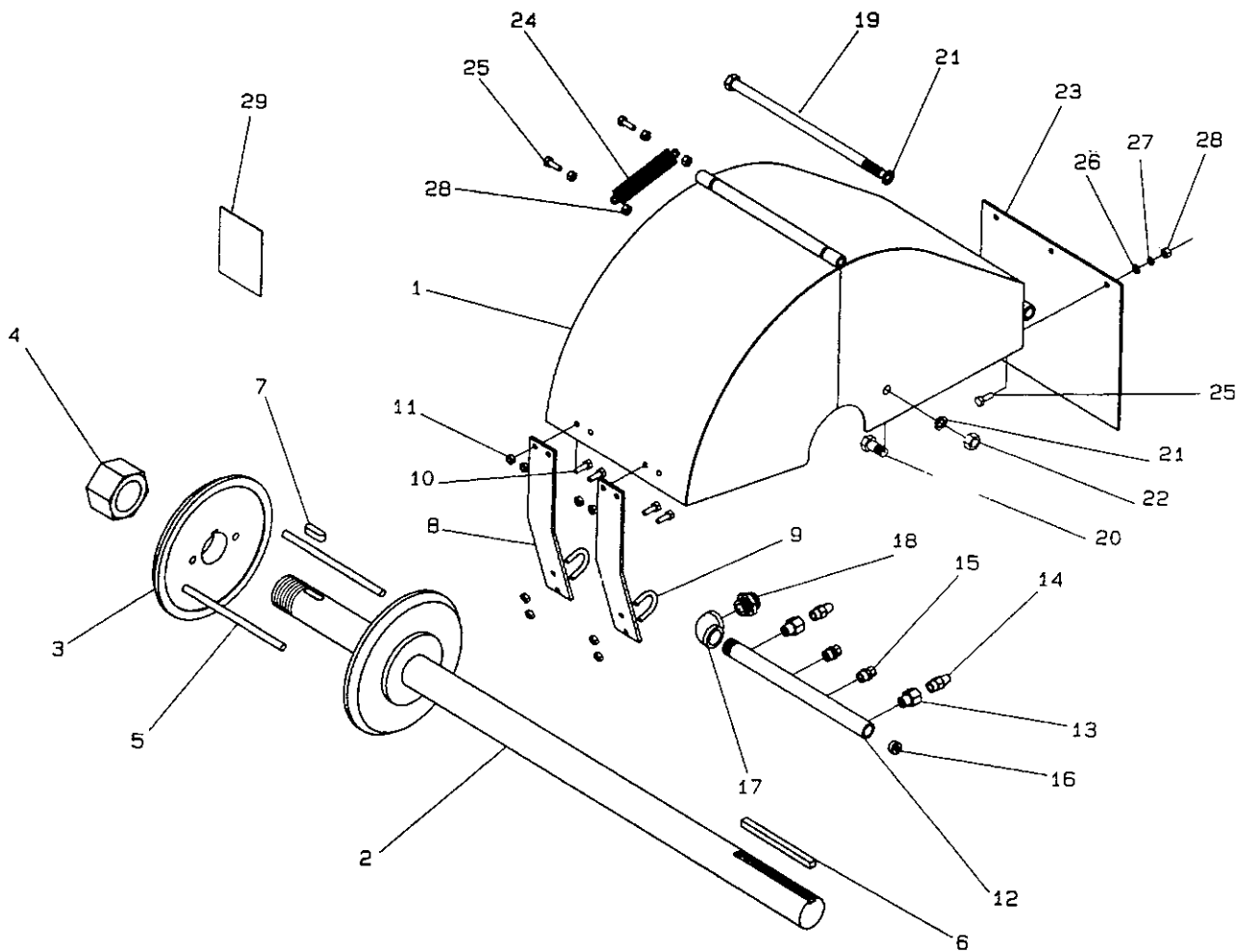


FIGURE 9 - PARTS LIST

DIAG. LOC.	PART NO.	QTY. REQ.	DESCRIPTION (*Denotes Metric Item)	DIAG. LOC.	PART NO.	QTY. REQ.	DESCRIPTION (*Denotes Metric Item)
	163943	1	Blade Guard Assy. (Items 1, 23-29)	16	020853	1	Plug, Pipe, 3/8"
1	048866	1	Blade Guard	17	020827	1	Elbow, 90°, 1/2" Pipe
2	048868	1	Blade Shaft & Tight Collar Assy.	18	040274	1	Connector, 1/2" Pipe
3	049871	1	Loose Collar	19	048755	1	Capscrew, Hex Hd., 1/2"-13 x 10-3/4"
4	049264	1	Nut, Blade Shaft	20	020339	1	Capscrew, Hex Hd., 1/2"-13 x 1"
5	048895	2	Drive Pin	21	020788	2	Lockwasher, Split, 1/2"
6	020052	1	Key, 3/8" Sq. x 5"	22	020140	1	Nut, Hex, 1/2"-13
7	048894	1	Key, 3/8" Sq. x 1"	23	048905	1	Flap, Rubber
8	048880	2	Bracket, Manifold	24	043145	1	Spring
	020032	2	"U" Bolt	25	020370	5	Capscrew, Hex Hd., 1/4"-20 x 3/4"
	020370	4	Capscrew, 1/4"-20 x 3/4"	26	020741	3	Washer, Flat, 1/4"
11	020195	8	Locknut, Fiber, 1/4"-20	27	020784	3	Lockwasher, Split, 1/4"
12	048878	1	Manifold, Water	28	020133	7	Nut, Hex, 1/4"-20
13	091129	2	Adapter, Pipe	29	046128	1	Decal, Caution, Blade Guard
14	091136	2	Nozzle, Side	30	049925	1	Wrench, Blade Shaft (Not Shown)
15	048901	2	Nozzle, Straight	163944	1	Complete Side Plunge Kit P/N	

FIGURE 10 - INSTRUMENT & CONTROL PANEL GROUP

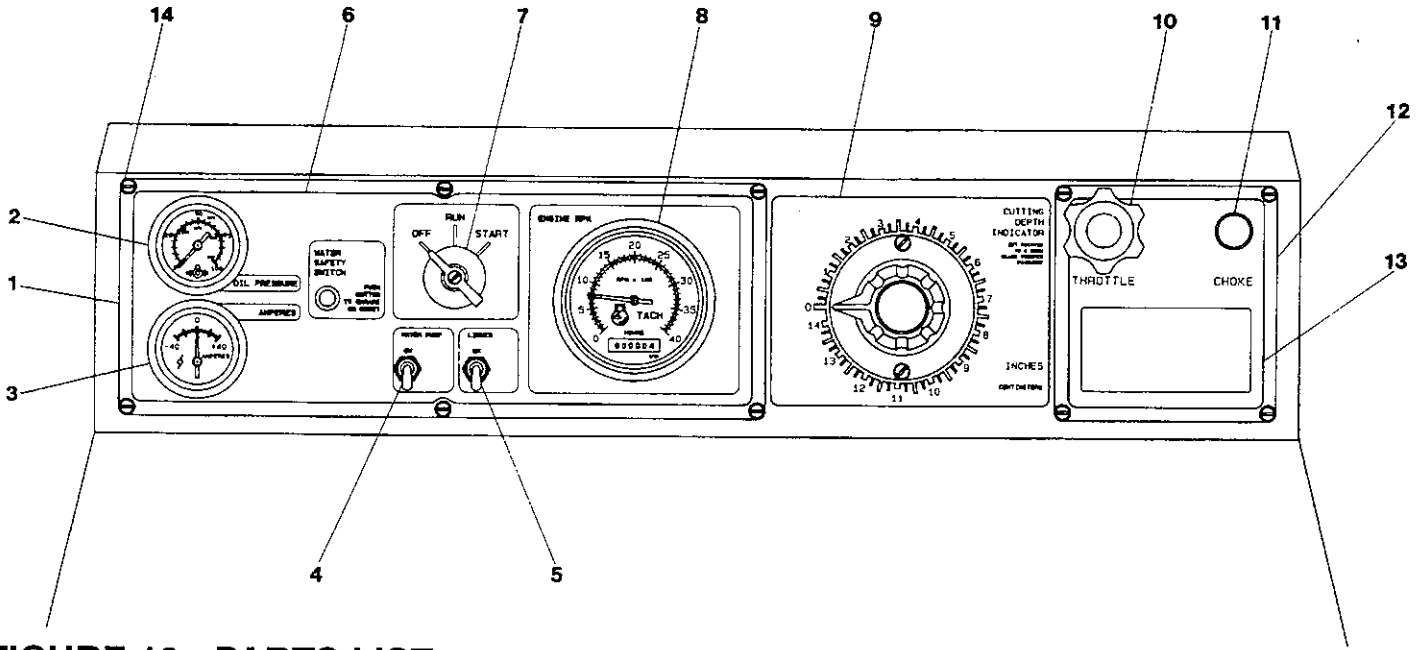


FIGURE 10 - PARTS LIST

DIAG. LOC.	PART NO.	QTY. REQ.	DESCRIPTION (*Denotes Metric Item)	DIAG. LOC.	PART NO.	QTY. REQ.	DESCRIPTION (*Denotes Metric Item)
	163700	1	Panel Assy. (Incl. Items 1-8 and 163698)	9	163694	1	Decal, Depth Indicator
1	163573	1	Panel, Gauge	10	160467	1	Throttle Cable
2	163667	1	Gauge, Oil Pressure	11	160409	1	Choke Cable
3	163666	1	Gauge, Ammeter	12	163670	1	Panel, Dash Cover
4	052120	1	Switch, Water Pump	13	163695	1	Decal, Throttle and Choke
5	052120	1	Switch, Lights	14	020587	10	Screw, Self-Tapping, #10-24 x 3/8" lg.
6	163696	1	Decal, Instrument Panel		163698	1	Wiring Harness, Instrument (Not Shown)
7	046360	1	Switch, Ignition		163699	1	Wiring Harness, Engine (Not Shown)
8	163665	1	Gauge, Tach/Hour Meter				

FIGURE 11 - LIGHT ASSEMBLY KIT COMPLETE (METRIC/ENGLISH) P/N 167656

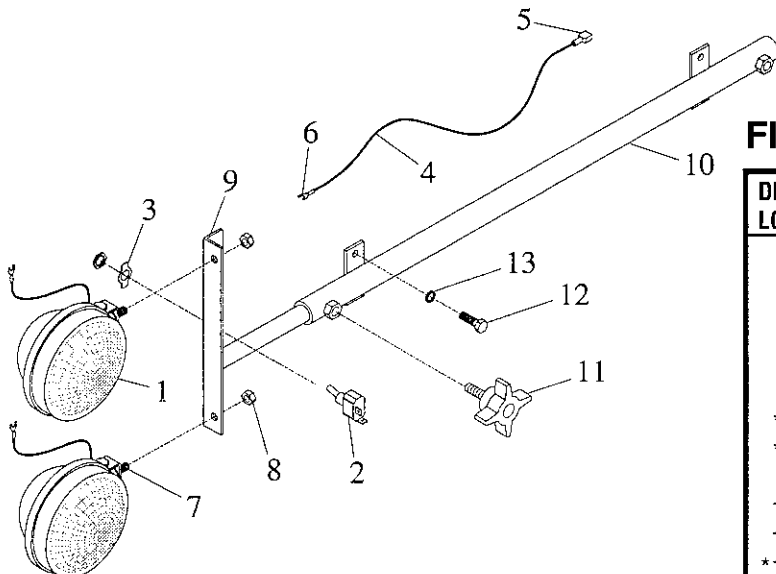


FIGURE 11 - PARTS LIST

DIAG. LOC.	PART NO.	QTY. REQ.	DESCRIPTION (*Denotes Metric Item)
1	0499919	2	Light
2	052120	1	Switch
3	090552	1	Plate, Switch
4	0499925	1	Wire, 16 GA x 36"
5	164370	1	Terminal, Male
6	046440	3	Terminal
*7	197227	2	Capscrew, Hex Hd., M8 x 1.25 x 20mm
*8	139738	2	Locknut, Fiber, M8
9	163758	1	Bar, Support
10	163754	1	Tube, Support
11	166038	1	Knob, 3/8"-16 UNC Thread
*12	139761	4	Capscrew, Hex Hd., M6 x 1.0 x 20mm
	020370	4	Capscrew, Hex Hd., 1/4"-20 x 3/4"
*13	163689	4	Lockwasher, Split, M6

FIGURE 12 - WATER PUMP KIT GROUP

WATER PUMP KIT COMPLETE
(METRIC/ENGLISH) P/N 167554

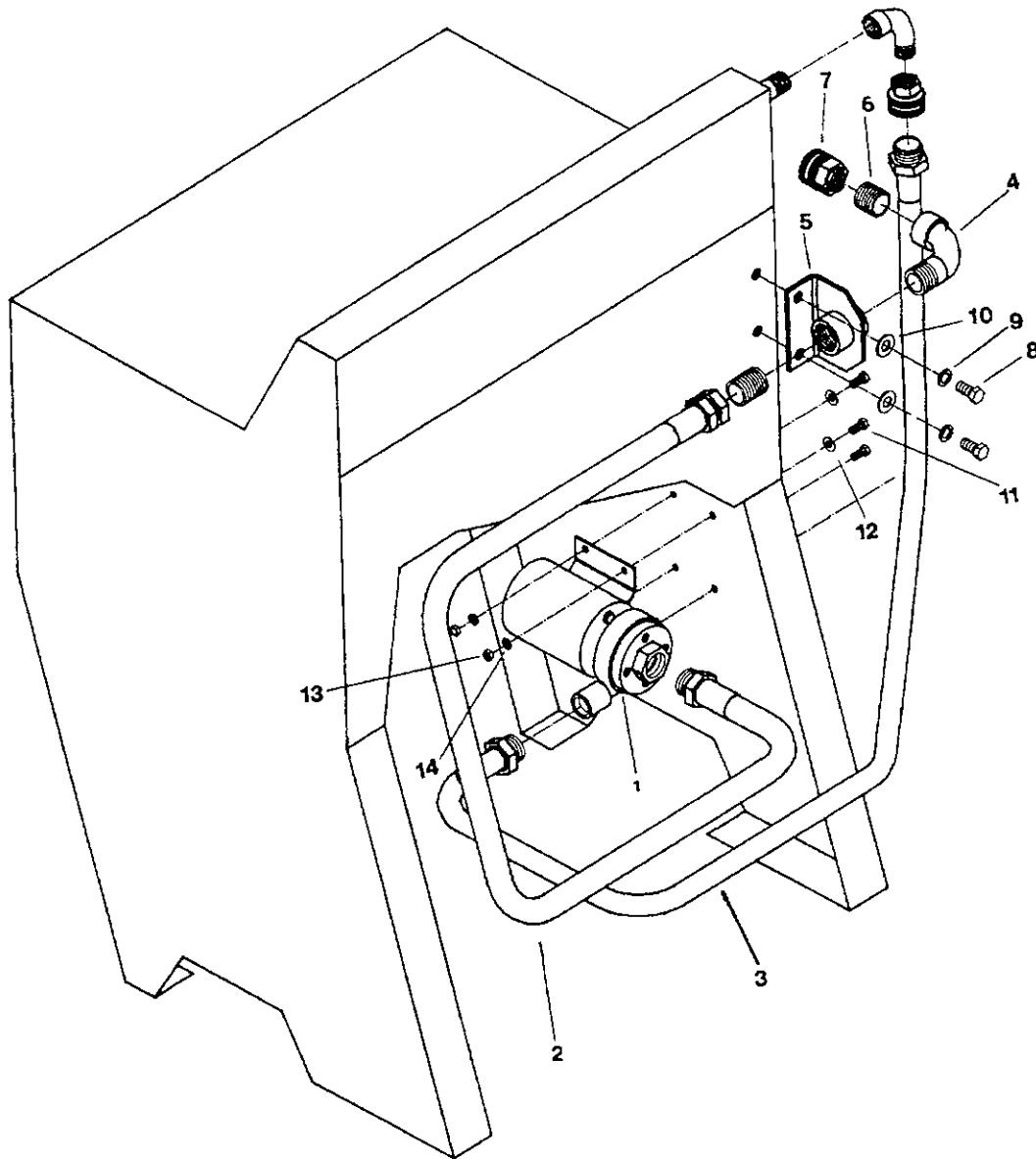
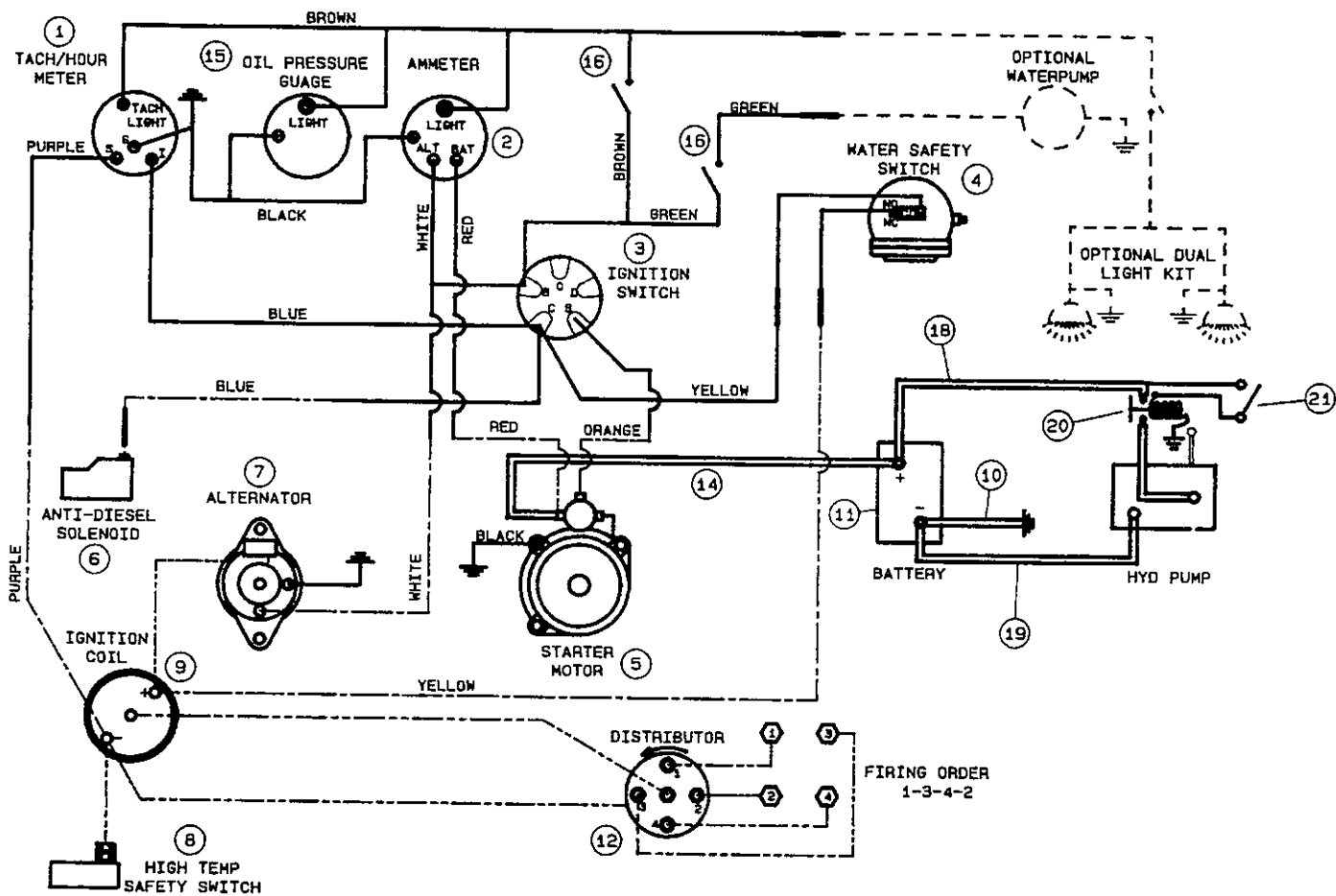


FIGURE 12 - PARTS LIST

DIAG. LOC.	PART NO.	QTY. REQ.	DESCRIPTION (*Denotes Metric Item)	DIAG. LOC.	PART NO.	QTY. REQ.	DESCRIPTION (*Denotes Metric Item)
1	164977	1	Water Pump With Wire Terminal	6	020296	2	Fitting, Nipple-Close 3/4" NPT
		—	Replacement Water Pump Parts:	7	045643	1	Swivel, With Filter (Includes Items 7A-7B)
	164083	1	Motor, Impeller, Gasket & Seal	7A	040271	1	Swivel, Without Filter
	164580	1	Seal And Gasket Kit	7B	045640	1	Washer, Filter
	164578	1	Gasket Only	*8	139744	2	Capscrew, Hex Hd., M10 x 1.5 x 20mm
	164579	1	Seal Only		020322	2	Capscrew, Hex Hd., 3/8"-16 x 3/4"
	164581	1	Impeller Only	*9	162004	2	Lockwasher, Split, M10
	164582	1	Motor Only	*10	173014	2	Washer, Flat, M10
2	163770	1	Hose Assy., 3/4" Dia. (Inlet)	*11	139761	4	Capscrew, Hex Hd., M6 x 1.0 x 20mm
3	163769	1	Hose Assy., 1/2" Dia. (Outlet)	*12	139746	4	Washer, Flat, M6
4	040273	2	Fitting, 90° Street Elbow, 3/4" NPT	*13	139745	4	Locknut, Fiber, M6 x 1.0
5	163594	1	Bracket, Water Pump	14	020762	4	Washer, Flat, 1/4" SAE

FIGURE 13 - ELECTRICAL DIAGRAM

SWITCH POSITION: Off - D to Ground
 Run - O to D
 C to B
 Start - C to B to S



- Part of Instrument Harness 163698 (13)
- Part of Engine Harness 163699 (17)
- Wiring Supplied on Engine
- Optional Features

FIGURE 13 - PARTS LIST

DIAG. LOC.	PART NO.	QTY. REQ.	DESCRIPTION (*Denotes Metric Item)	DIAG. LOC.	PART NO.	QTY. REQ.	DESCRIPTION (*Denotes Metric Item)
1	163665	1	Gauge, Tach/Hour Meter	12	—	1	Electronic Distributor #YF10CS1
2	163666	1	Gauge, 40 Amp Ammeter	13	163698	1	Instrument Wiring Harness
3	046360	1	Ignition Switch #YC27BS1	14	163180	1	Battery Cable, Positive, #52-4
4	047136	1	Water Safety Switch	15	163667	1	Gauge, Oil Pressure
5	—	1	Starter & Solenoid #YA60	16	052120	2	Switch
6	—	1	Anti-Diesel Solenoid #YC83AS1	17	163699	1	Engine Wiring Harness
7	—	1	37A 12V Alternator #YB69	18	048542	1	Battery Cable, Positive
8	—	1	High Temp Safety Switch #YC66D	19	139260	1	Battery Cable, Negative
9	—	1	Ignition Coil #YF41AS1	20	166121	1	Solenoid
10	163179	1	Battery Cable, Negative, #40-4	21	166338	1	Switch
11	163121	1	Battery 12V				