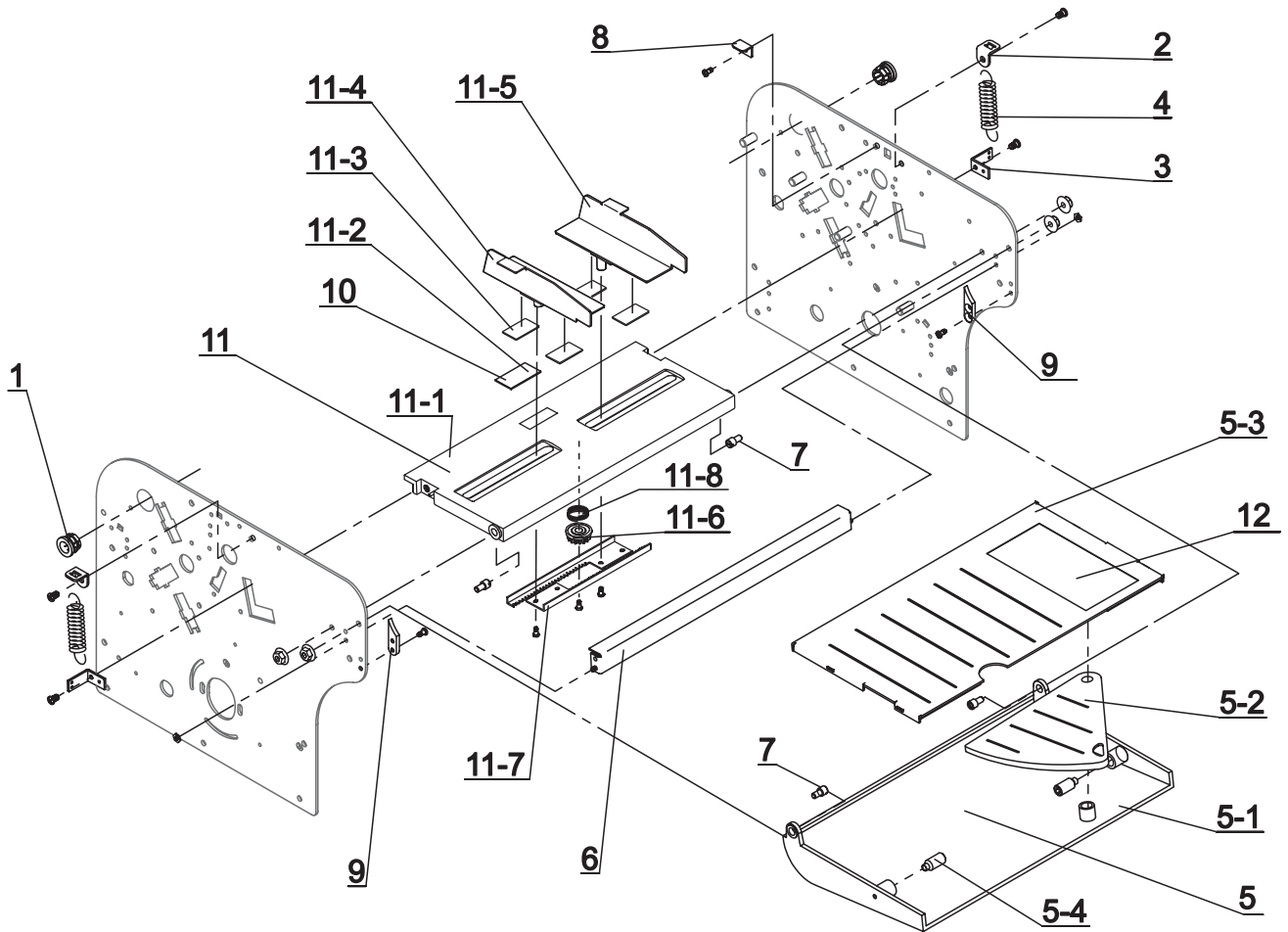
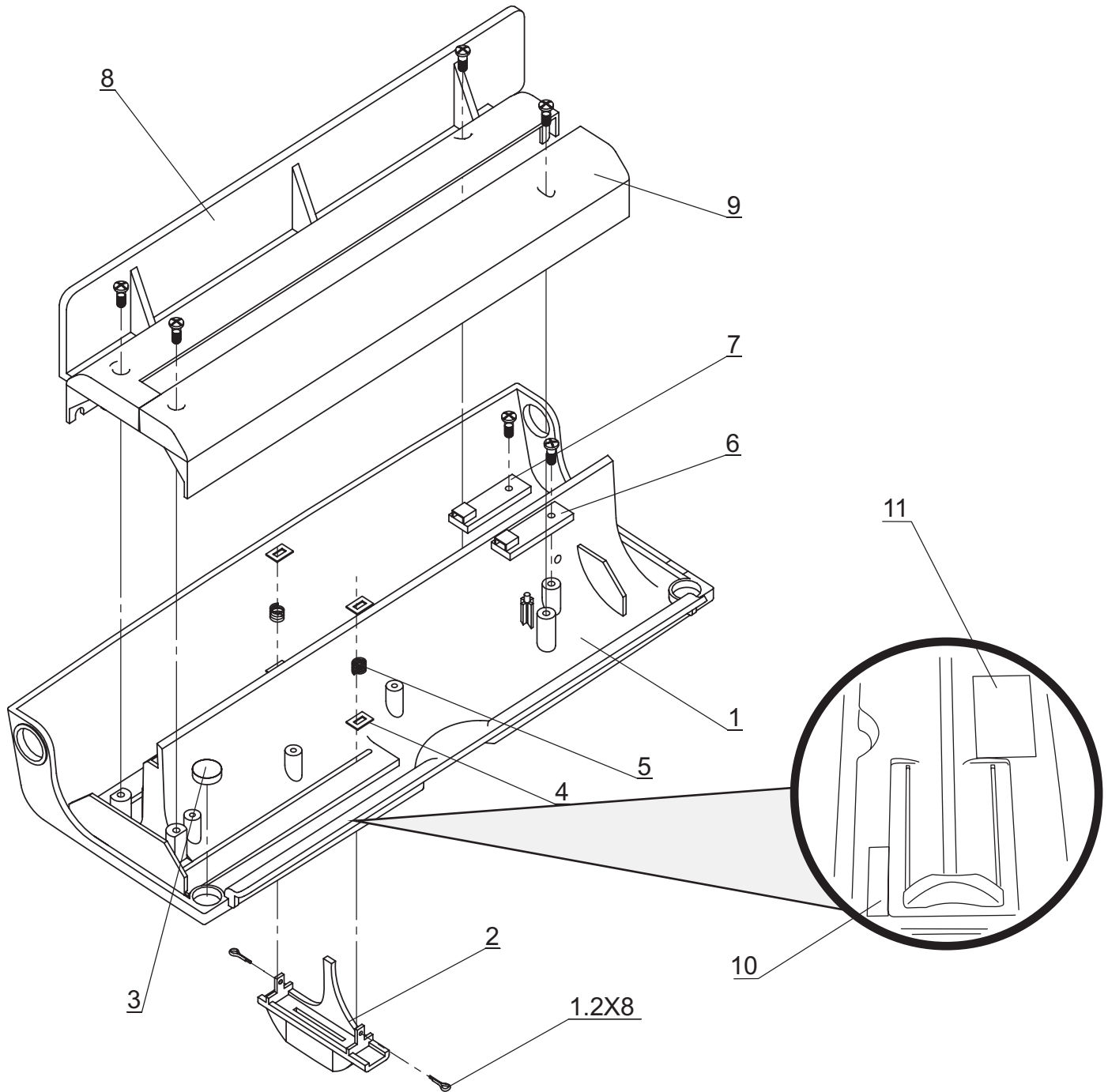


1. PAPER FEED SECTION



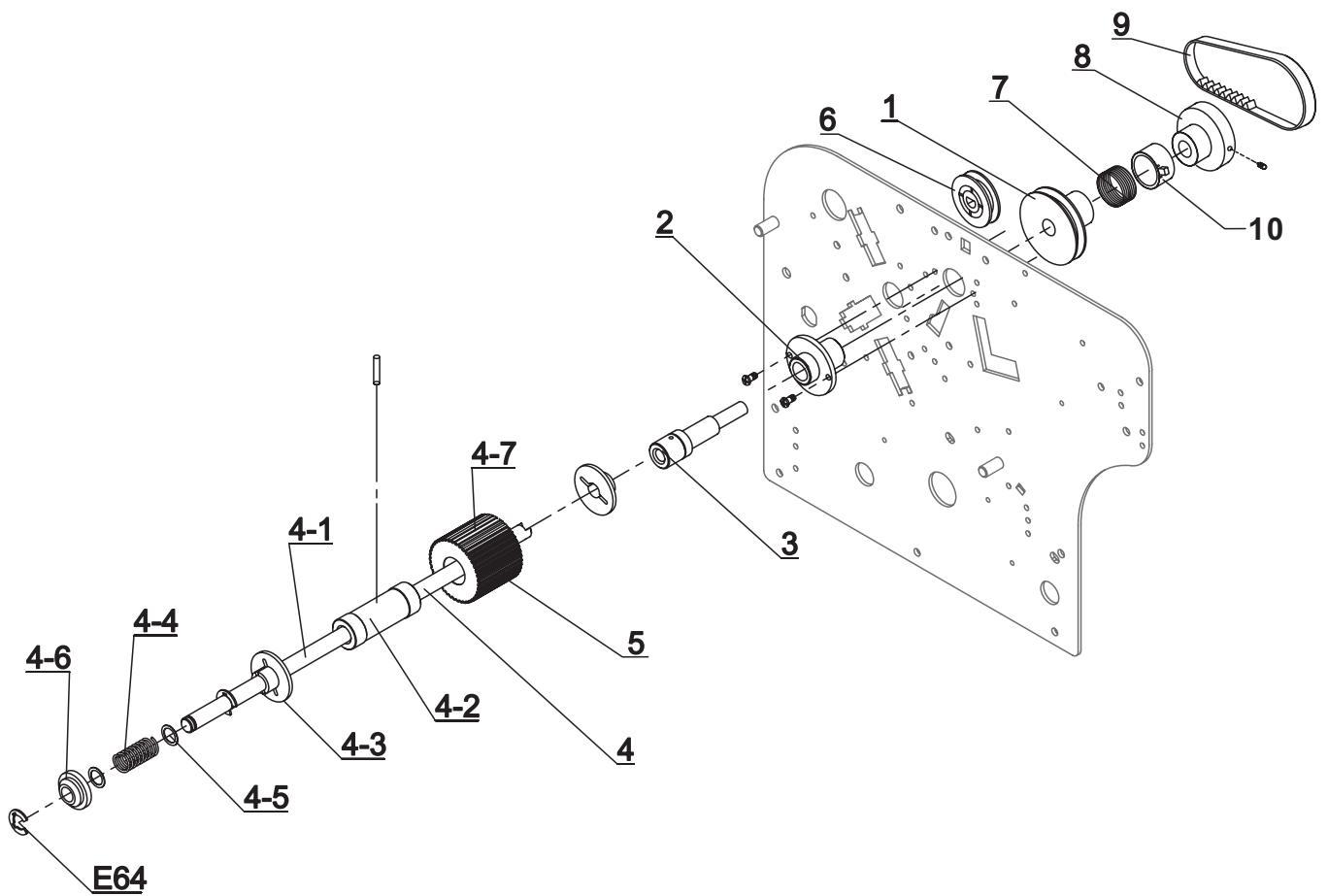
INDEX	PARTS No.	DESCRIPTION	QTY	REMARK
1	83F-50011	Collar	2	
2	83F-10011	Angle	2	
3	83F-20011	Lever	2	
4	83F-10021	Tension spring	2	
5	83F-20021	Auxiliary paper feed plate unit	1	Assembly unit
5-1	83F-20231	Auxiliary cover	1	
5-2	83F-20241	Auxiliary paper unit	1	
5-3	83F-20251	Auxiliary paper feed plate	1	
5-4	83F-20261	Holder screw	2	
6	83F-20031	Frame	1	
7	83F-20041	Piller	4	
8	83F-20051	Bracket	1	
9	83F-20580	Holder plate	1	
10	83F-20081	Backward stopper	1	
11	83F-20091	Paper feed plate unit	1	Assembly unit
11-1	83F-20271	Paper feed plate	1	
11-2	83F-20081	Backward stopper	1	
11-3	83F-20281	Slide plate	1	
11-4	83F-20291	Paper guide L	4	
11-5	83F-20301	Paper guide R	1	
11-6	83F-20311	Gear	1	
11-7	83F-20321	Rack	1	
11-8	83F-20460	Spring	2	
12	83F-90320	Instruction sticker	1	

2. MANUAL FEED SECTION



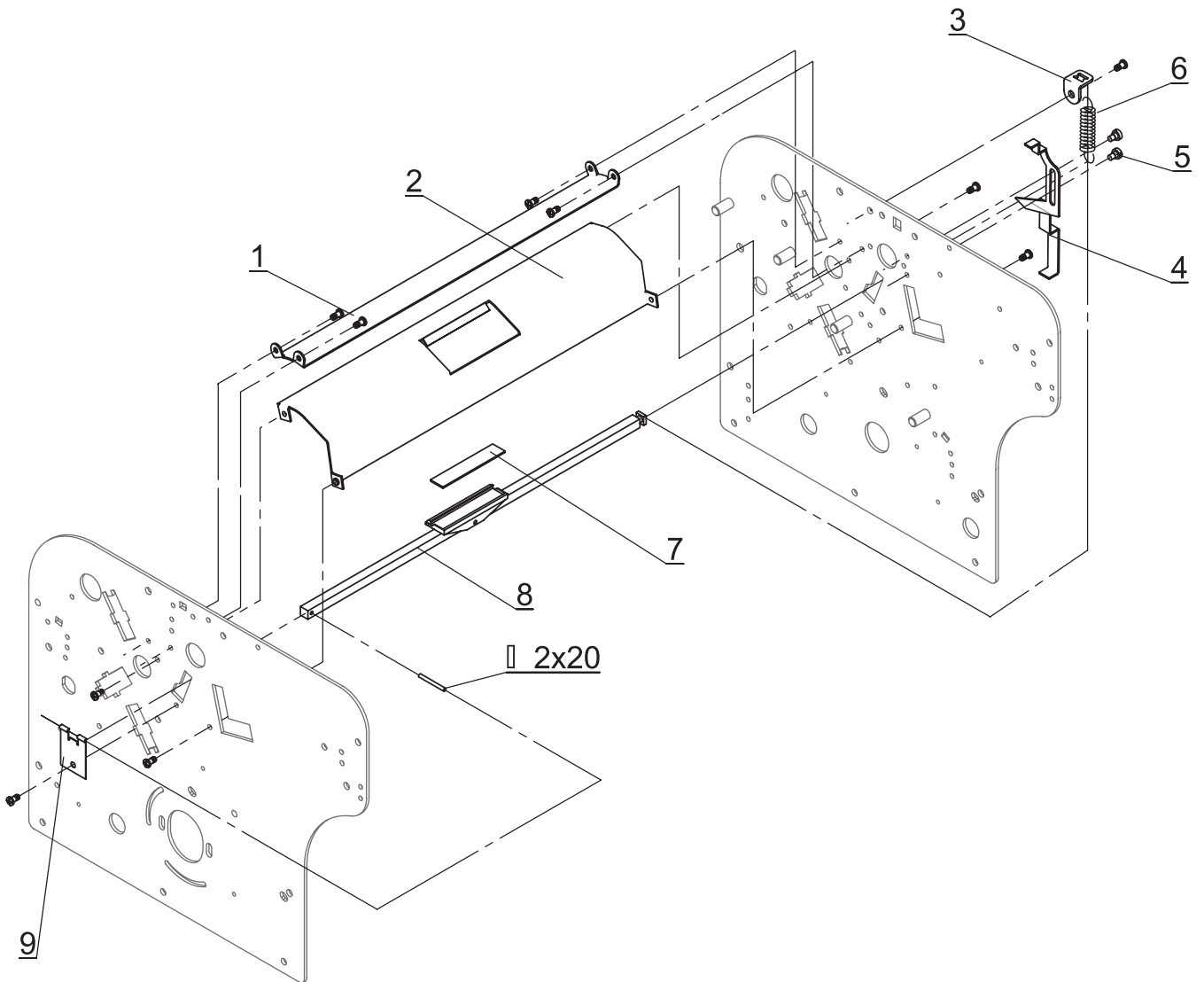
INDEX	PARTS No.	DESCRIPTION	QTY	REMARK
1	83F-50021	Manual feed insert unit	1	
2	83F-50031	Paper holder	1	
3	83F-10031	Magnet	1	
4	83F-10041	Collar	4	
5	83F-10051	Spring	2	
6	83F-80011	PHD sensor unit	1	
7	83F-80021	LED sensor unit	1	
8	83F-50041	Cover L	1	
9	83F-50051	Cover R	1	
10	83F-90360	Manual feed sticker	1	
11	83F-90081	Caution sticker	1	

3. FEED ROLLER SECTION



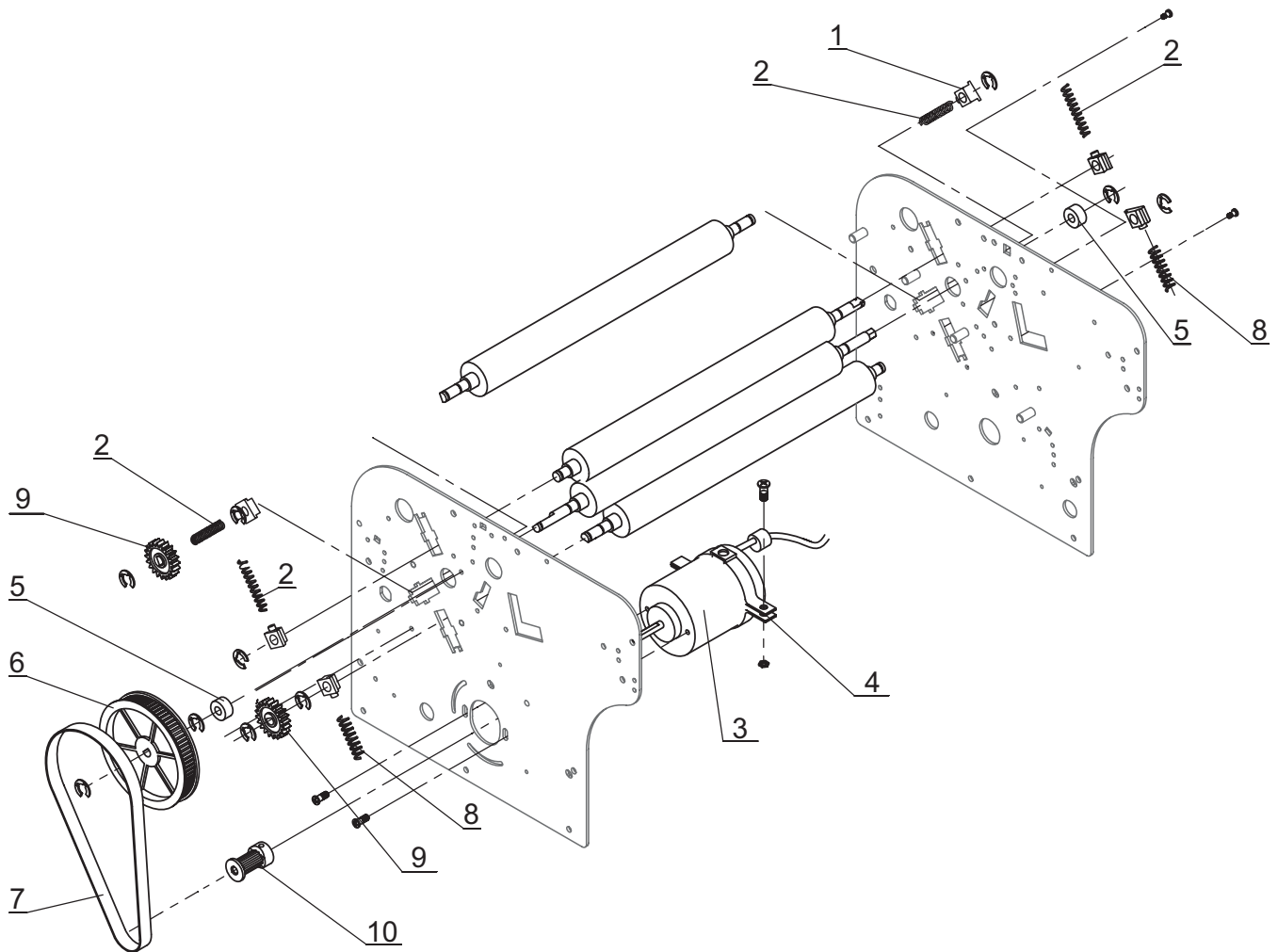
INDEX	PARTS No.	DESCRIPTION	QTY	REMARK
1	83F-20490	Pulley	1	
2	83F-20111	Pivot suspension	1	
3	83F-20470	Shaft	1	
4	83F-20141	Feed shaft unit	1	Assembly unit
4-1	83F-20331	Feed shaft	1	
4-2	83F-20341	Rubber ring boss	1	
4-3	83F-20351	Auxiliary feed roller	2	
4-4	83F-20361	Compression spring	1	
4-5	83F-20371	Washer	2	
4-6	83F-20381	Bearing	1	
4-7	83F-20131	Feed roller	1	
5	83F-20131	Feed roller	1	
6	83F-20480	Pulley	1	
7	83F-20500	Clutch spring	1	
8	83F-20510	Collar	1	
9	83F-20520	Gear belt	1	
10	83F-20570	Clutch spring case	1	

4. PAPER FEED GATE



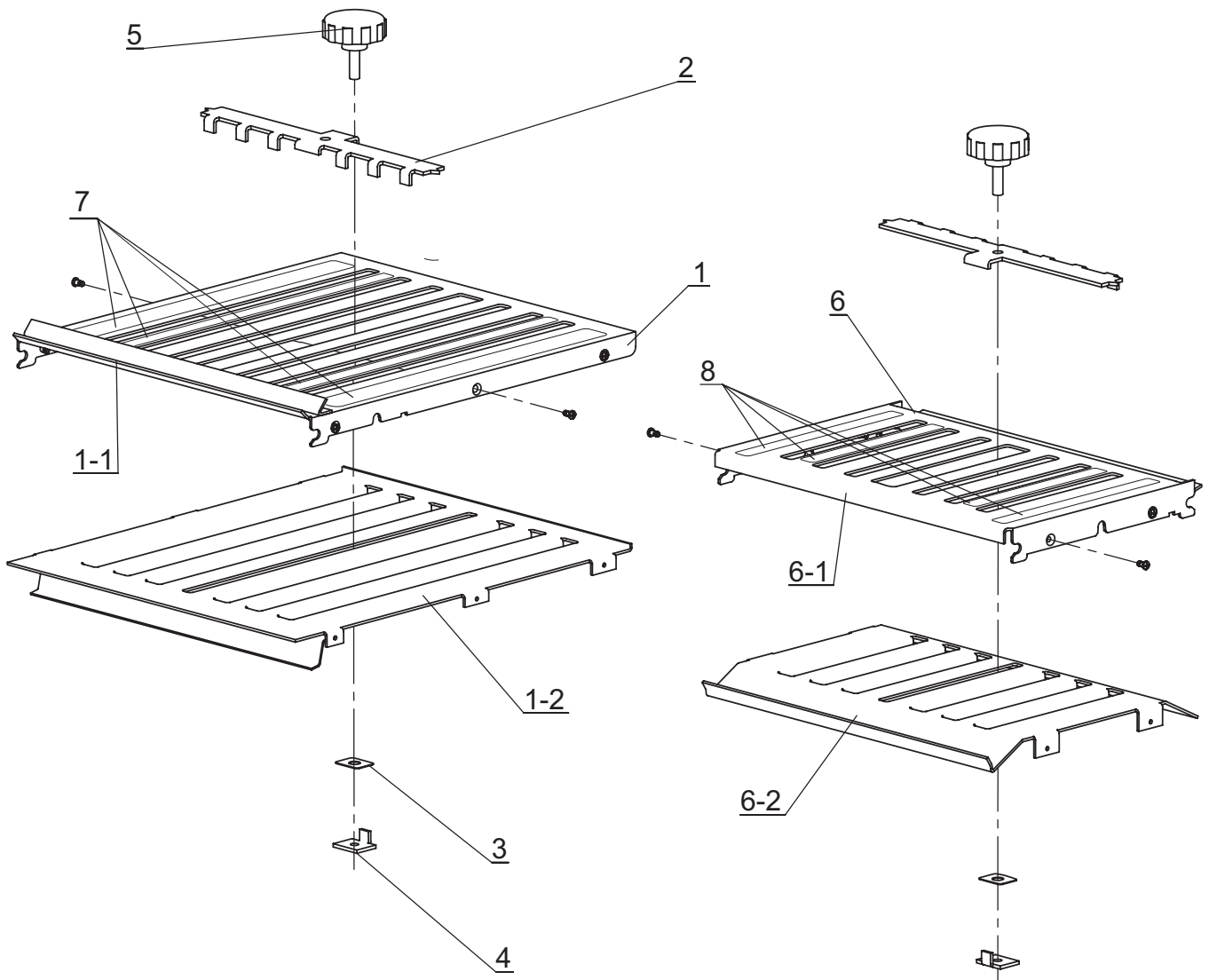
INDEX	PARTS No.	DESCRIPTION	QTY	REMARK
1	83F-20151	Paper Feed gate (upper)	1	
2	83F-20161	Paper Feed gate (lower)	1	
3	83F-10011	Angle	1	
4	83F-10061	Lever	1	
5	83F-10071	Screw	2	
6	83F-10021	Tension spring	1	
7	95K-12040	Paper separator	1	
8	83F-20171	Paper separator unit	1	
9	83F-10081	Holder plate	1	

5. PRESS ROLL SECTION



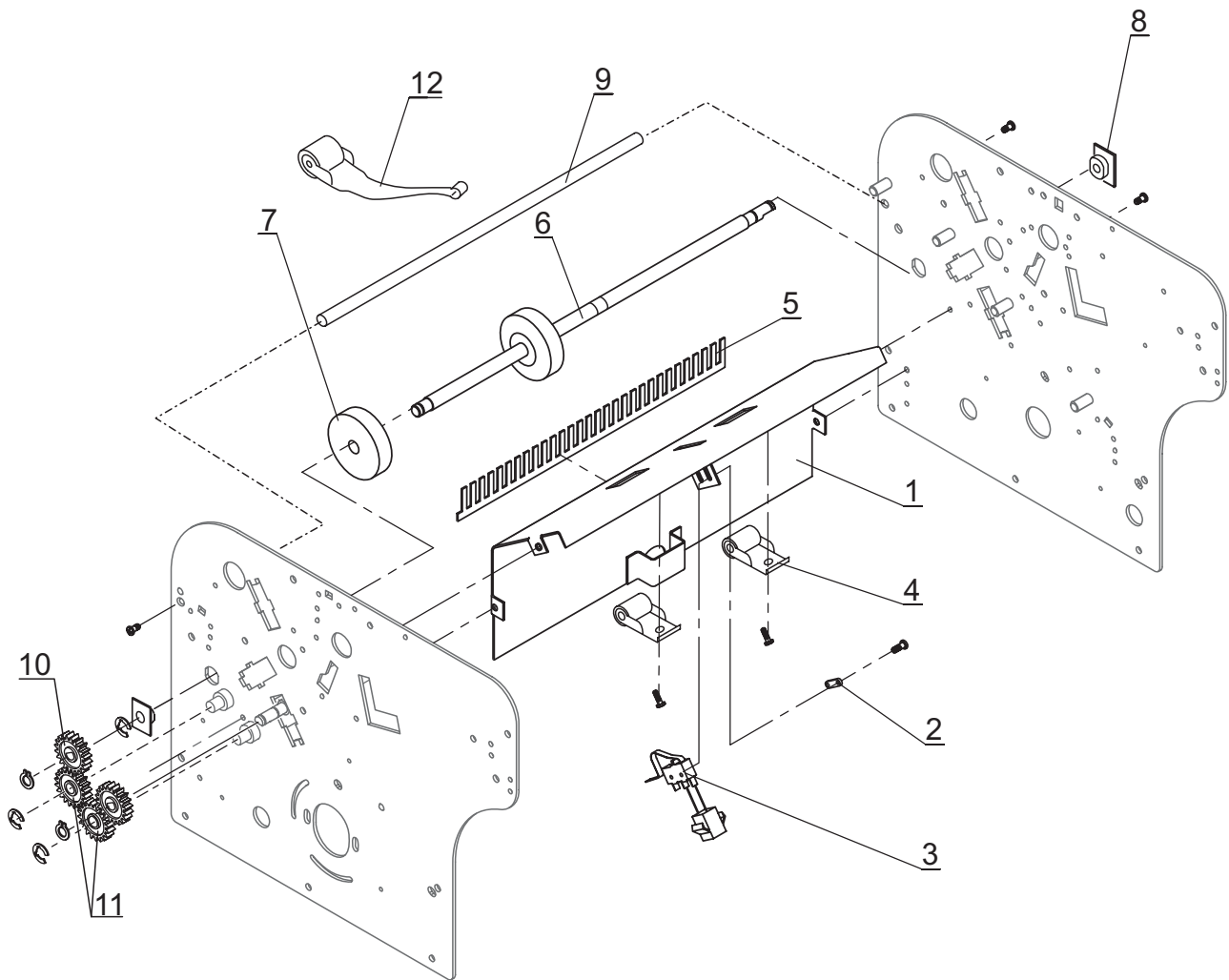
INDEX	PARTS No.	DESCRIPTION	QTY	REMARK
1	83F-30290	Metal collar	6	
2	83F-10091	Spring	4	10 circle
3	83F-80290	Motor unit	1	120V
4	83F-10141	Motor holder	1	
5	83F-10111	Bearing	2	
6	83F-30041	Gear	1	
7	83F-30051	Belt	1	
8	83F-10121	Spring	2	8 circle
9	83F-30061	Gear	2	
10	83F-10151	Motor gear	1	

6. FOLDING PLATE



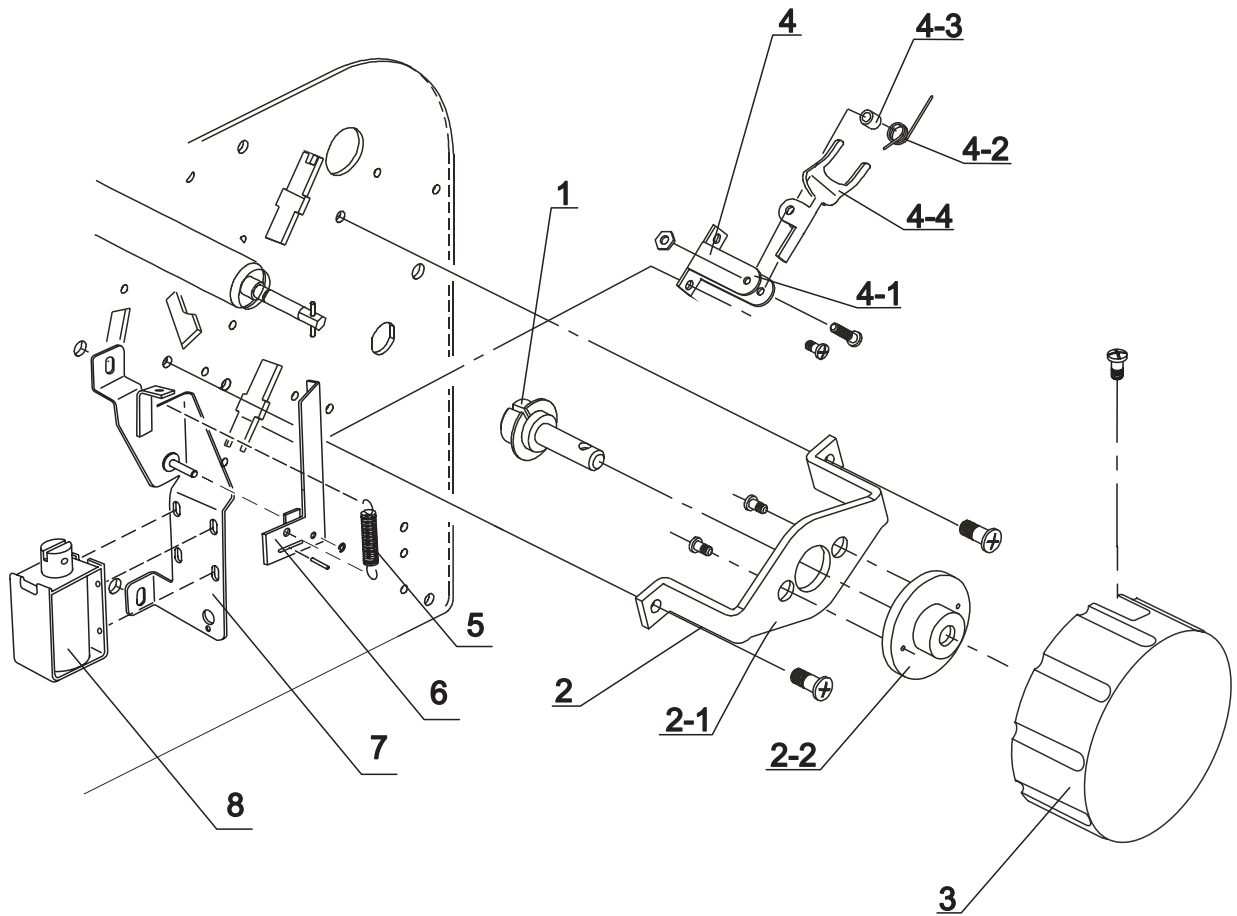
INDEX	PARTS No.	DESCRIPTION	QTY	REMARK
1	83F-30081	First folding plate assemble	1	Assembly unit
1-1	83F-30201	First folding plate	1	
1-2	83F-30211	Guide plate	1	
2	83F-30091	Stopper	2	
3	83F-30101	Side plate	2	
4	83F-30111	Plate	2	
5	83F-30121	Knob nut	2	
6	83F-30131	Second folding plate assemble	1	Assembly unit
6-1	83F-30221	Second folding plate	1	
6-2	83F-30231	Guide plate	1	
7	83F-90220	Upper folding plate sticker set	1	
8	83F-90270	Lower folding plate sticker set	1	

7. STACKER SECTION



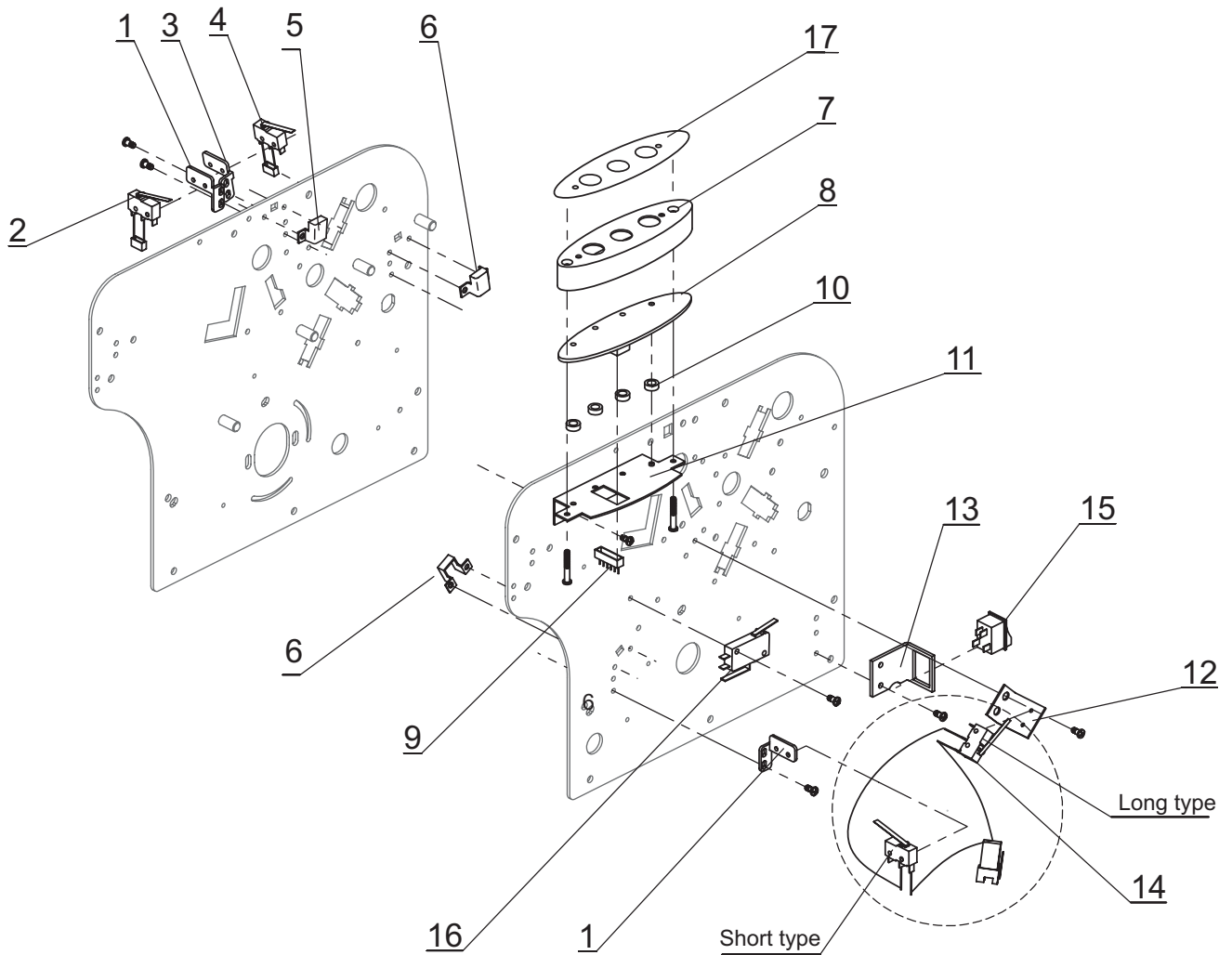
INDEX	PARTS No.	DESCRIPTION	QTY	REMARK
1	83F-40011	Stacker plate	1	
2	83F-40021	Screw plate	1	
3	83F-80051	Micro switch	1	
4	83F-40031	Roller unit	2	
5	83F-90010	Static eliminating brush	1	
6	83F-40240	Shaft	1	
7	83F-40051	Roller	2	
8	83F-40061	Bearing	2	
9	83F-10300	Shaft	1	
10	83F-30061	Gear	1	
11	83F-30280	Gear	2	
12	83F-40260	Auxiliary ejection roller	1	

8. HAND WHEEL UNIT



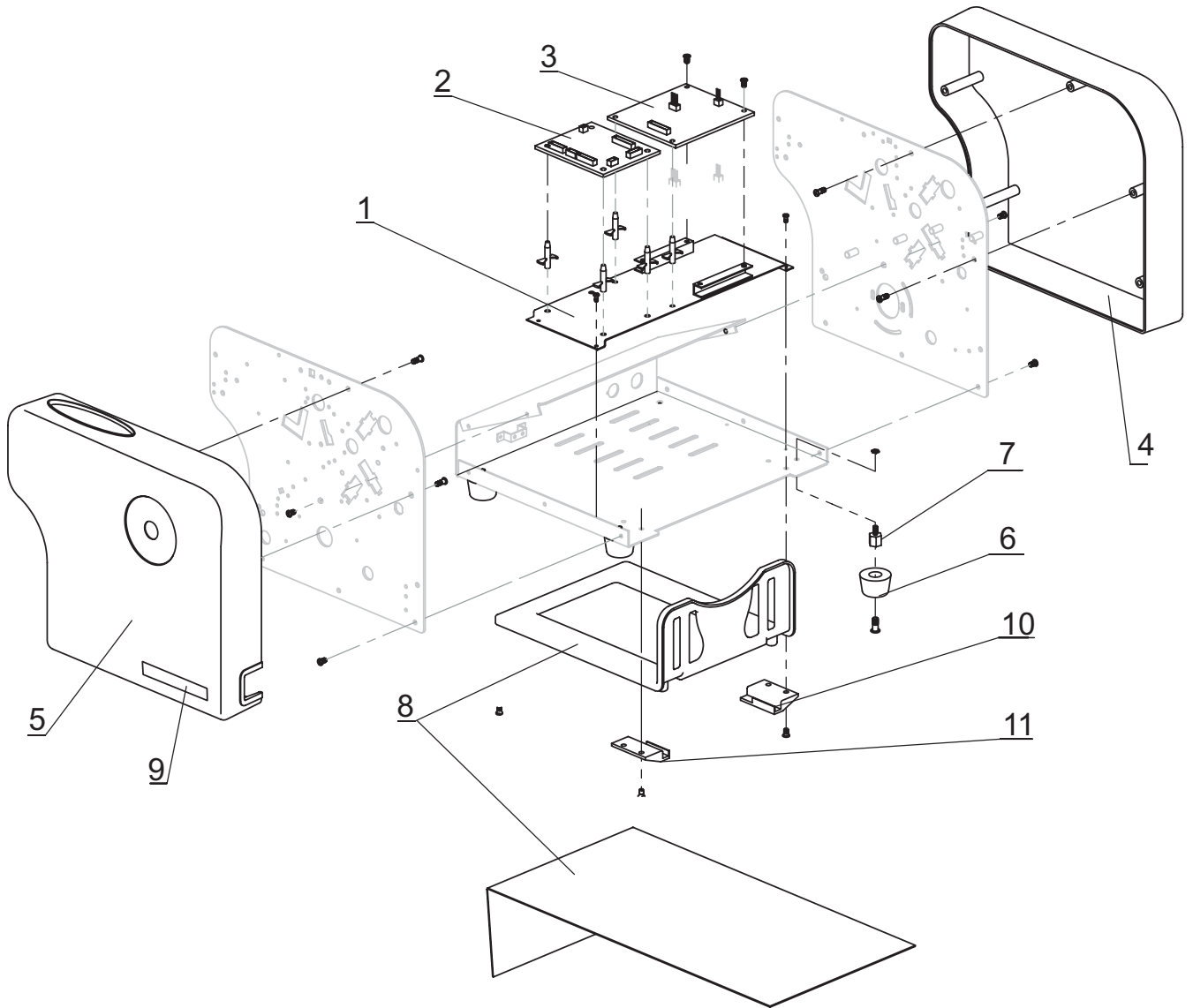
INDEX	PARTS No.	DESCRIPTION	QTY	REMARK
1	83F-40250	Hand wheel shaft	1	
2	83F-40081	Hand wheel bracket assy	1	Assembly unit
2-1	83F-40171	Hand wheel bracket	1	
2-2	83F-40181	Pivot suspension	1	
3	83F-40091	Hand wheel unit	1	
4	83F-40261	Spring bracket assy	1	Assembly unit
4-1	83F-40191	Spring bracket	1	
4-2	83F-40201	Spring	1	
4-3	83F-40211	Collar	1	
4-4	83F-40230	Lever	1	
5	83F-20540	Spring	1	
6	83F-20560	Latch	1	
7	83F-20550	Solenoid bracket	1	
8	83F-80280	Solenoid	1	

9. CONTROL PANEL SECTION



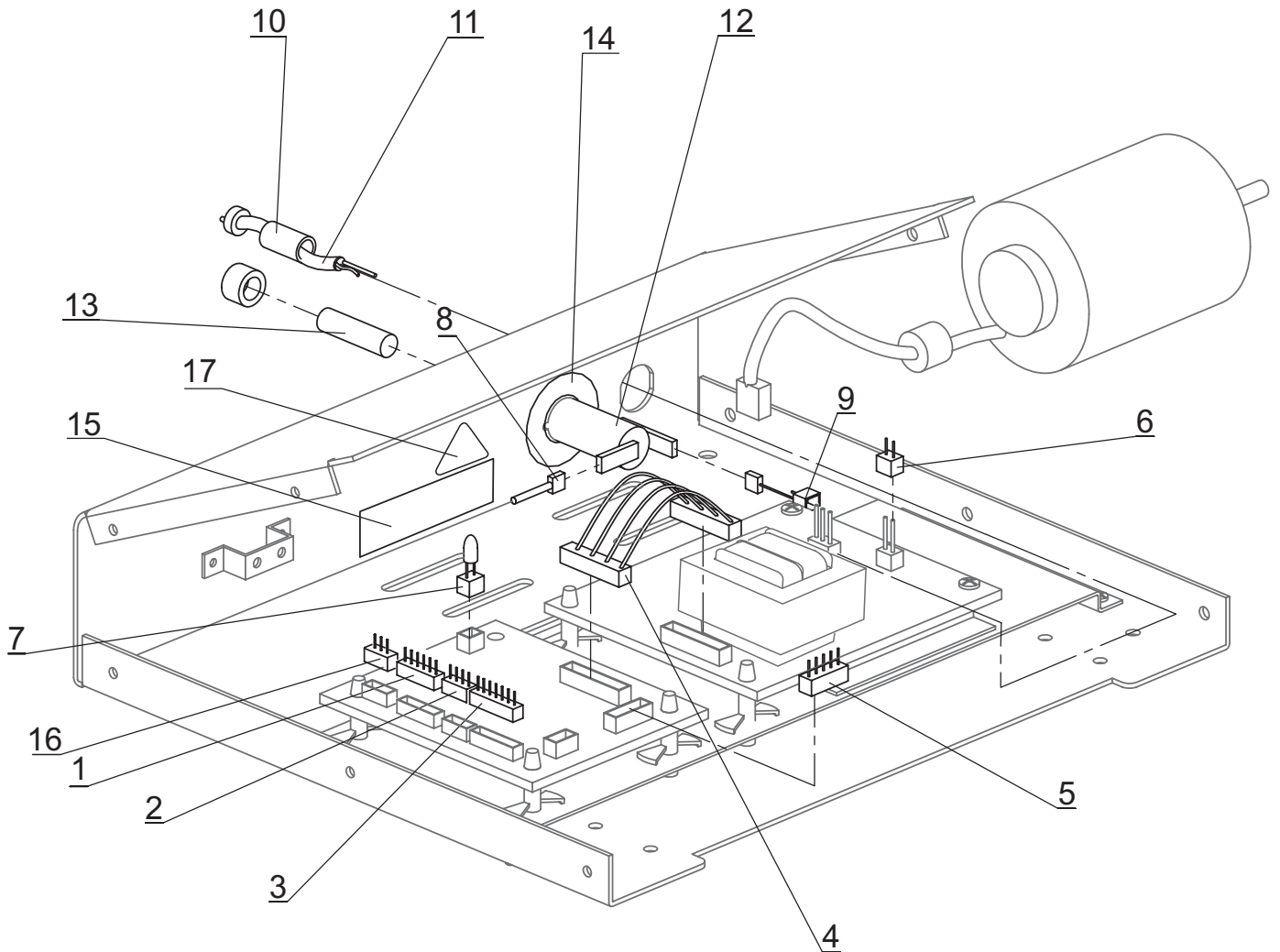
INDEX	PARTS No.	DESCRIPTION	QTY	REMARK
1	83F-10161	Micro switch bracket	2	
2	83F-80061	Micro switch	1	
3	83F-10171	Micro switch bracket	1	
4	83F-80071	Micro switch	1	
5	83F-10181	Micro switch cover	1	
6	83F-10191	Micro switch cover	2	
7	83F-10201	Control panel cover	1	
8	83F-80081	Control panel PCB unit	1	
9	83F-80091	6P Bundled wire unit	1	
10	83F-50061	Collar	4	
11	83F-10211	Control panel bracket	1	
12	83F-10221	Micro switch bracket	1	
13	83F-10231	Power switch bracket	1	
14	83F-80101	Micro switch	1	
15	83F-80111	Power switch	1	
16	83F-80121	Micro switch	1	
17	83F-90051	Panel sticker	1	

10. EXTERIOR



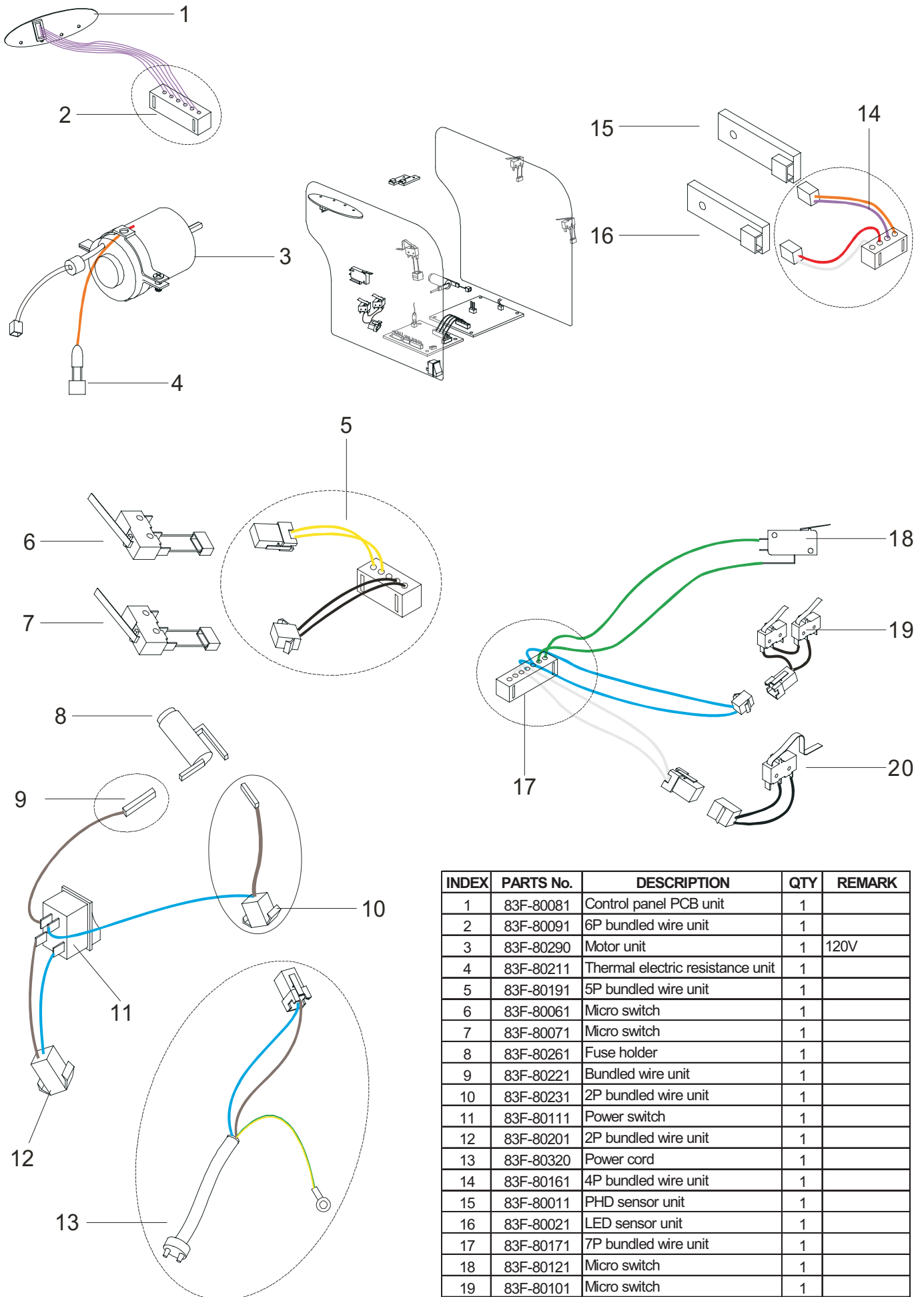
INDEX	PARTS No.	DESCRIPTION	QTY	REMARK
1	83F-10241	Main broad base	1	
2	83F-80300	Main broad	1	
3	83F-80310	AC120V Power supply broad	1	120V
4	83F-50071	Cover front	1	
5	83F-50081	Cover rear	1	
6	83F-50091	Rubber leg	4	
7	83F-10251	Pillar	4	
8	83F-40130	Paper receiving plate	1	
	83F-40141	Paper receiving plate	1	
9	83F-90330	Brand plate	1	
10	83F-40111	Guide plate R	1	
11	83F-40121	Guide plate L	1	

11. ELECTRICAL PARTS SECTION



INDEX	PARTS No.	DESCRIPTION	QTY	REMARK
1	83F-80091	6P bundled wire unit	1	
2	83F-80161	4P bundled wire unit	1	
3	83F-80171	7P bundled wire unit	1	
4	83F-80181	8P bundled wire unit	1	
5	83F-80191	5P bundled wire unit	1	
6	83F-80201	2P bundled wire unit	1	
7	83F-80211	Thermal electric resistance unit	1	
8	83F-80221	Bundled wire unit	1	
9	83F-80231	2P bundled wire unit	1	
10	83F-80241	EMI Filter	1	
11	83F-80320	Power cord	1	
12	83F-80261	Fuse holder	1	
13	83F-80330	Fuse	1	240V / 4A
14	83F-90340	Fuse rating sticker	1	
15	83F-90101	Fuse caution sticker	1	
16	83F-80340	3P bundled wire unit	1	
17	83F-90350	Lightning sticker	1	

12. WIRE CONNECTOR SECTION



INDEX	PARTS No.	DESCRIPTION	QTY	REMARK
1	83F-80081	Control panel PCB unit	1	
2	83F-80091	6P bundled wire unit	1	
3	83F-80290	Motor unit	1	120V
4	83F-80211	Thermal electric resistance unit	1	
5	83F-80191	5P bundled wire unit	1	
6	83F-80061	Micro switch	1	
7	83F-80071	Micro switch	1	
8	83F-80261	Fuse holder	1	
9	83F-80221	Bundled wire unit	1	
10	83F-80231	2P bundled wire unit	1	
11	83F-80111	Power switch	1	
12	83F-80201	2P bundled wire unit	1	
13	83F-80320	Power cord	1	
14	83F-80161	4P bundled wire unit	1	
15	83F-80011	PHD sensor unit	1	
16	83F-80021	LED sensor unit	1	
17	83F-80171	7P bundled wire unit	1	
18	83F-80121	Micro switch	1	
19	83F-80101	Micro switch	1	
20	83F-80051	Micro switch	1	

INDEX

PARTS No.	PAGE	INDEX	PARTS No.	PAGE	INDEX	PARTS No.	PAGE	INDEX
83F-10011	1	2	83F-20341	3	4-2	83F-40261	8	4
83F-10011	4	3	83F-20351	3	4-3	83F-50011	1	1
83F-10021	1	4	83F-20361	3	4-4	83F-50021	2	1
83F-10021	4	6	83F-20371	3	4-5	83F-50031	2	2
83F-10031	2	3	83F-20381	3	4-6	83F-50041	2	8
83F-10041	2	4	83F-20460	1	11-8	83F-50051	2	9
83F-10051	2	5	83F-20470	3	3	83F-50061	9	10
83F-10061	4	4	83F-20480	3	6	83F-50071	10	4
83F-10071	4	5	83F-20490	3	1	83F-50081	10	5
83F-10081	4	9	83F-20500	3	7	83F-50091	10	6
83F-10091	5	2	83F-20510	3	8	83F-80011	2	6
83F-10111	5	5	83F-20520	3	9	83F-80021	2	7
83F-10121	5	8	83F-20540	8	5	83F-80051	7	3
83F-10141	5	4	83F-20550	8	7	83F-80061	9	2
83F-10151	5	10	83F-20560	8	6	83F-80071	9	4
83F-10161	9	1	83F-20570	3	10	83F-80081	9	8
83F-10171	9	3	83F-20580	1	9	83F-80091	9	9
83F-10181	9	5	83F-30041	5	6	83F-80091	11	1
83F-10191	9	6	83F-30051	5	7	83F-80101	9	14
83F-10201	9	7	83F-30061	5	9	83F-80111	9	15
83F-10211	9	11	83F-30061	7	10	83F-80121	9	16
83F-10221	9	12	83F-30081	6	1	83F-80161	11	2
83F-10231	9	13	83F-30091	6	2	83F-80171	11	3
83F-10241	10	1	83F-30101	6	3	83F-80181	11	4
83F-10251	10	7	83F-30111	6	4	83F-80191	11	5
83F-10300	7	9	83F-30121	6	5	83F-80201	11	6
83F-20011	1	3	83F-30131	6	6	83F-80211	11	7
83F-20021	1	5	83F-30201	6	1-1	83F-80221	11	8
83F-20031	1	6	83F-30211	6	1-2	83F-80231	11	9
83F-20041	1	7	83F-30221	6	6-1	83F-80241	11	10
83F-20051	1	8	83F-30231	6	6-2	83F-80261	11	12
83F-20081	1	10	83F-30280	7	11	83F-80280	8	8
83F-20081	1	11-2	83F-30290	5	1	83F-80290	5	3
83F-20091	1	11	83F-40011	7	1	83F-80300	10	2
83F-20111	3	2	83F-40021	7	2	83F-80310	10	3
83F-20131	3	4-7	83F-40031	7	4	83F-80320	11	11
83F-20131	3	5	83F-40051	7	7	83F-80330	11	13
83F-20141	3	4	83F-40061	7	8	83F-80340	11	16
83F-20151	4	1	83F-40081	8	2	83F-90010	7	5
83F-20161	4	2	83F-40091	8	3	83F-90051	9	17
83F-20171	4	8	83F-40111	10	10	83F-90081	2	11
83F-20231	1	5-1	83F-40121	10	11	83F-90101	11	15
83F-20241	1	5-2	83F-40130	10	8	83F-90220	6	7
83F-20251	1	5-3	83F-40171	8	2-1	83F-90270	6	8
83F-20261	1	5-4	83F-40181	8	2-2	83F-90320	1	12
83F-20271	1	11-1	83F-40191	8	4-1	83F-90330	10	9
83F-20281	1	11-3	83F-40201	8	4-2	83F-90340	11	14
83F-20291	1	11-4	83F-40211	8	4-3	83F-90350	11	17
83F-20301	1	11-5	83F-40230	8	4-4	83F-90360	2	10
83F-20311	1	11-6	83F-40240	7	6	95K-12040	4	7
83F-20321	1	11-7	83F-40250	8	1	83F-40141	10	8
83F-20331	3	4-1	83F-40260	7	12			