

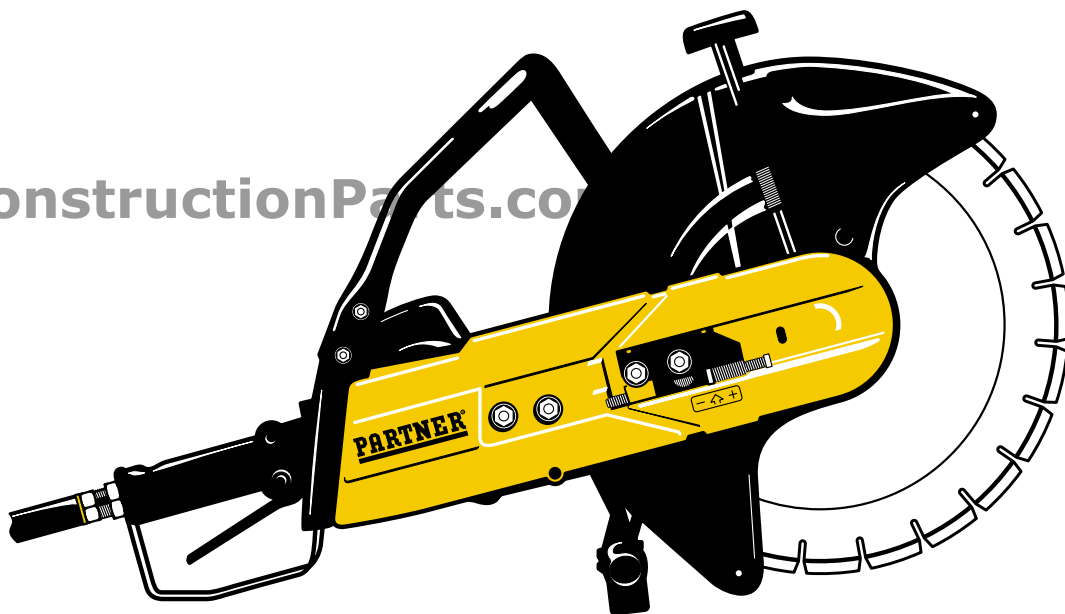
PARTNER

888-634-4289

Illustrated Parts List 2000-05 CD

K30 - 12" 1990 - 2000

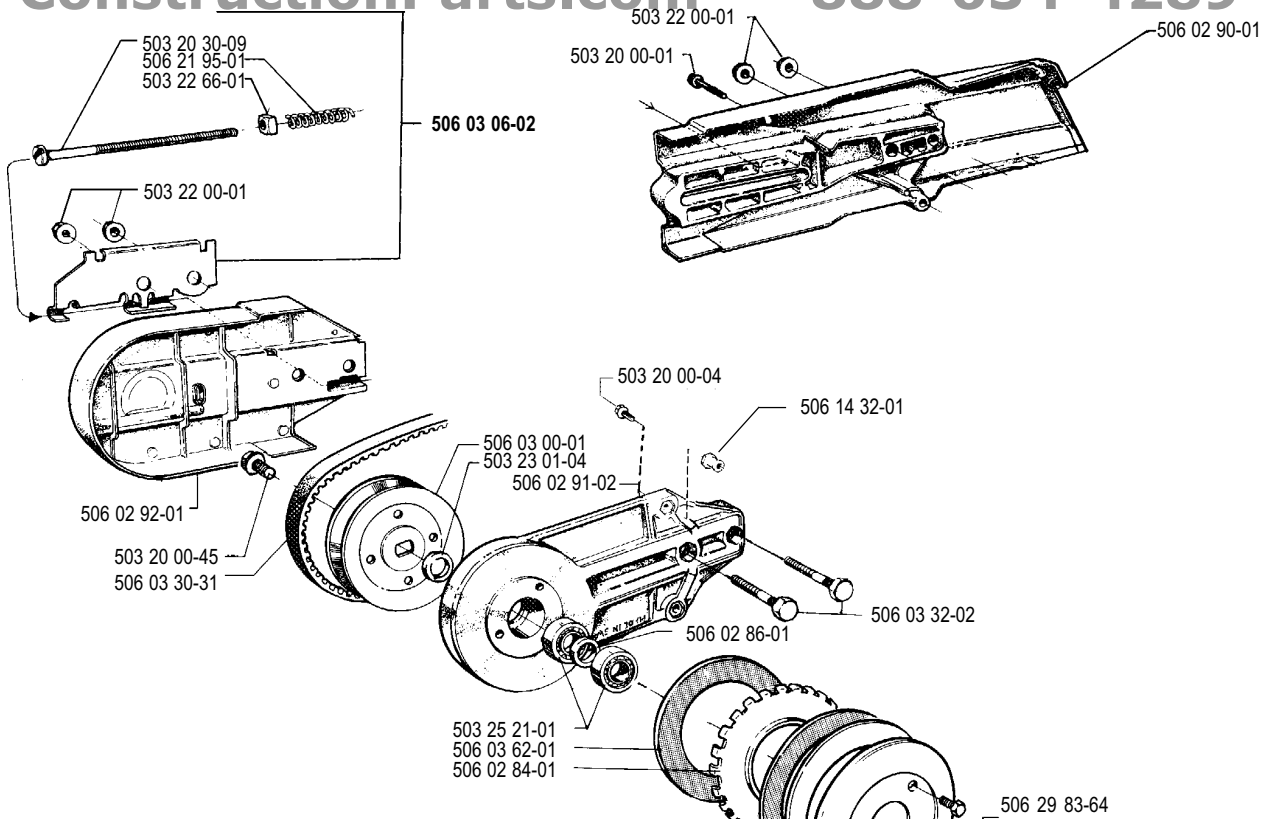
K40 - 14" 1990 - 2000



108 30 01-20

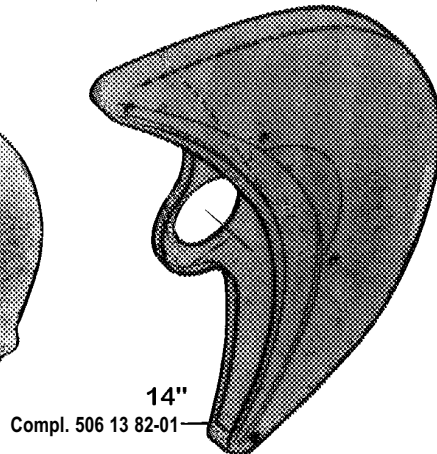
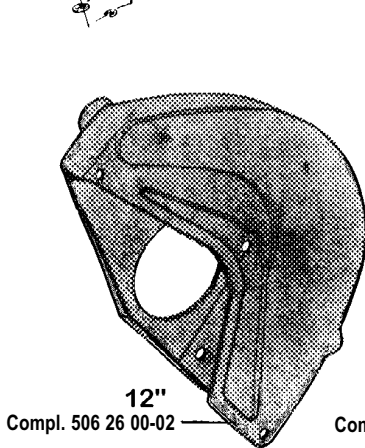
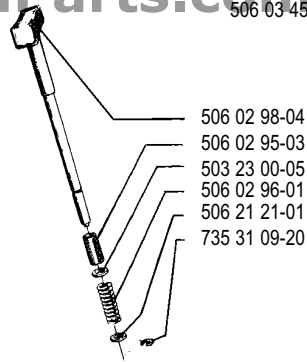
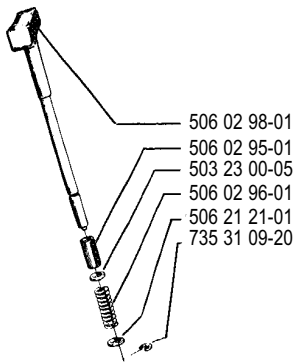
ConstructionParts.com

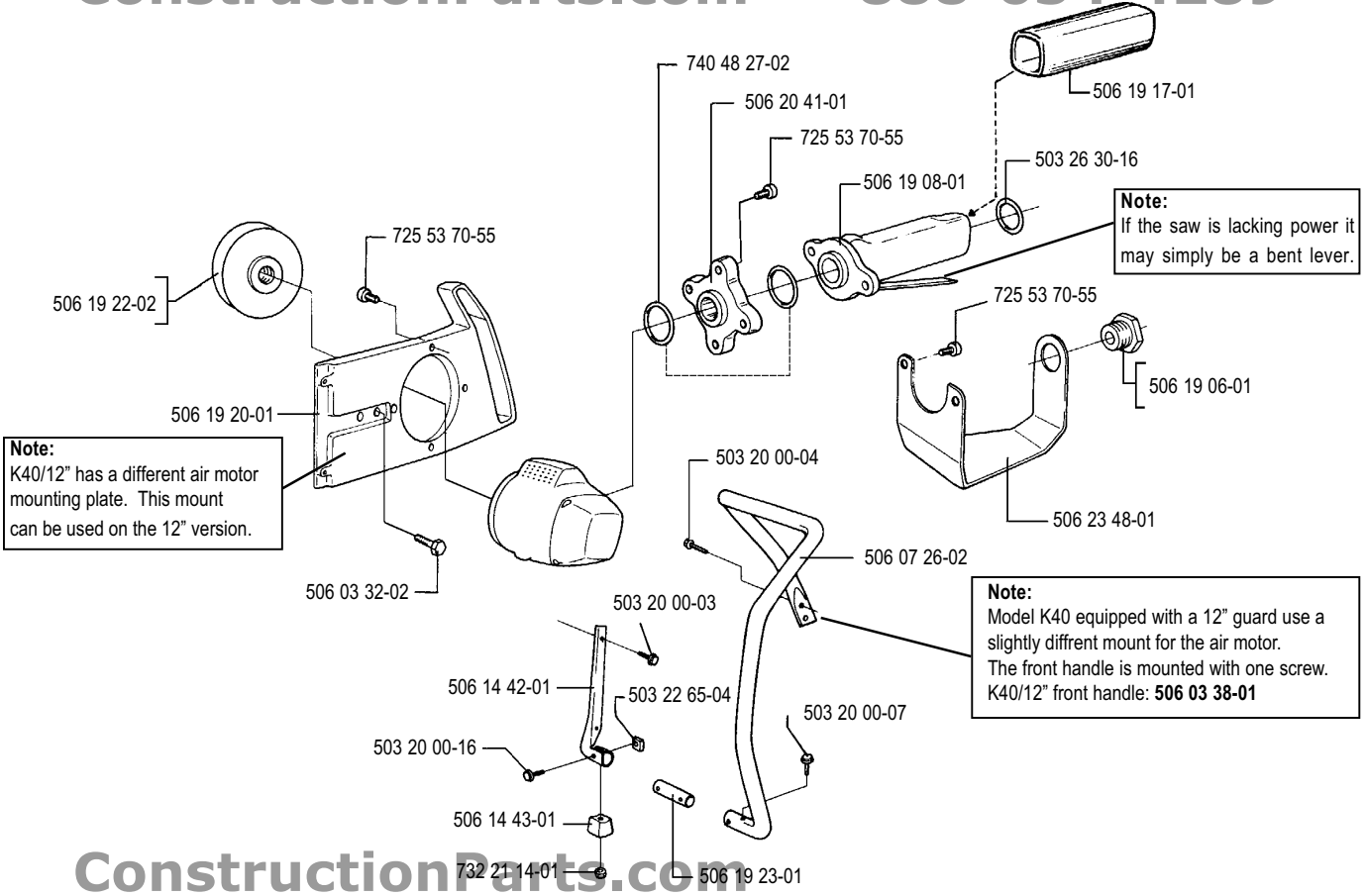
888-634-4289 **PARTNER**[®]



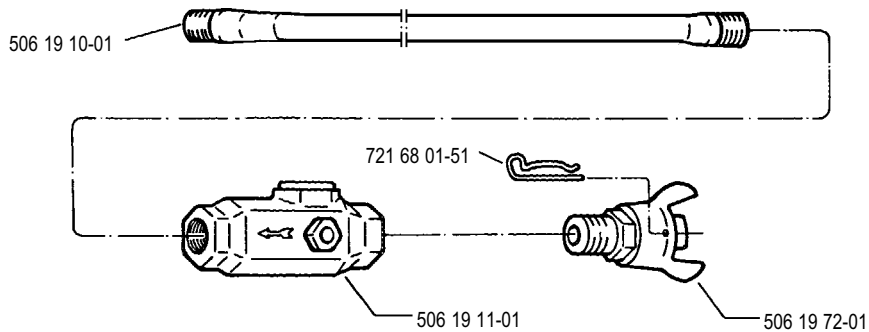
K30

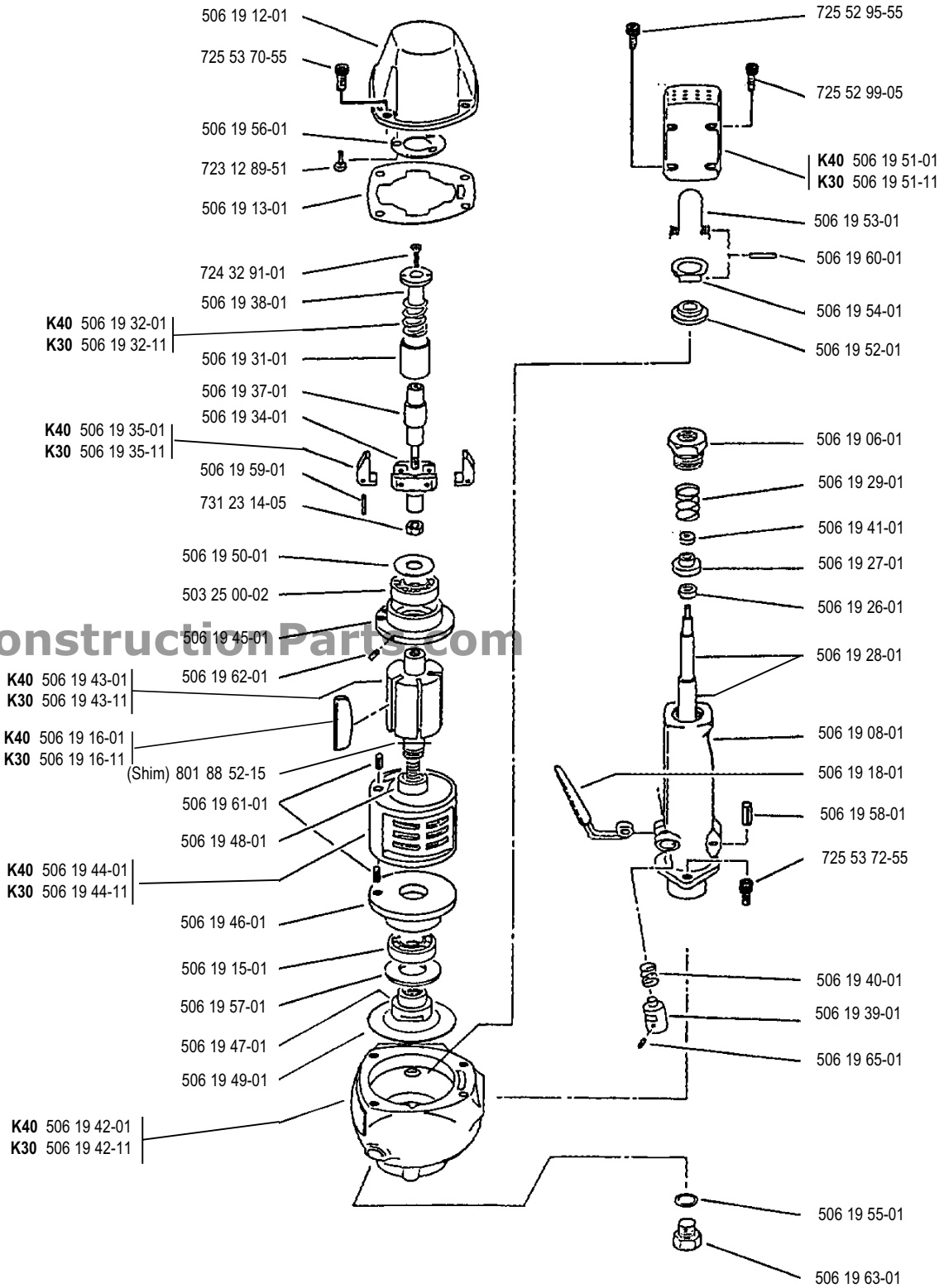
K40





C



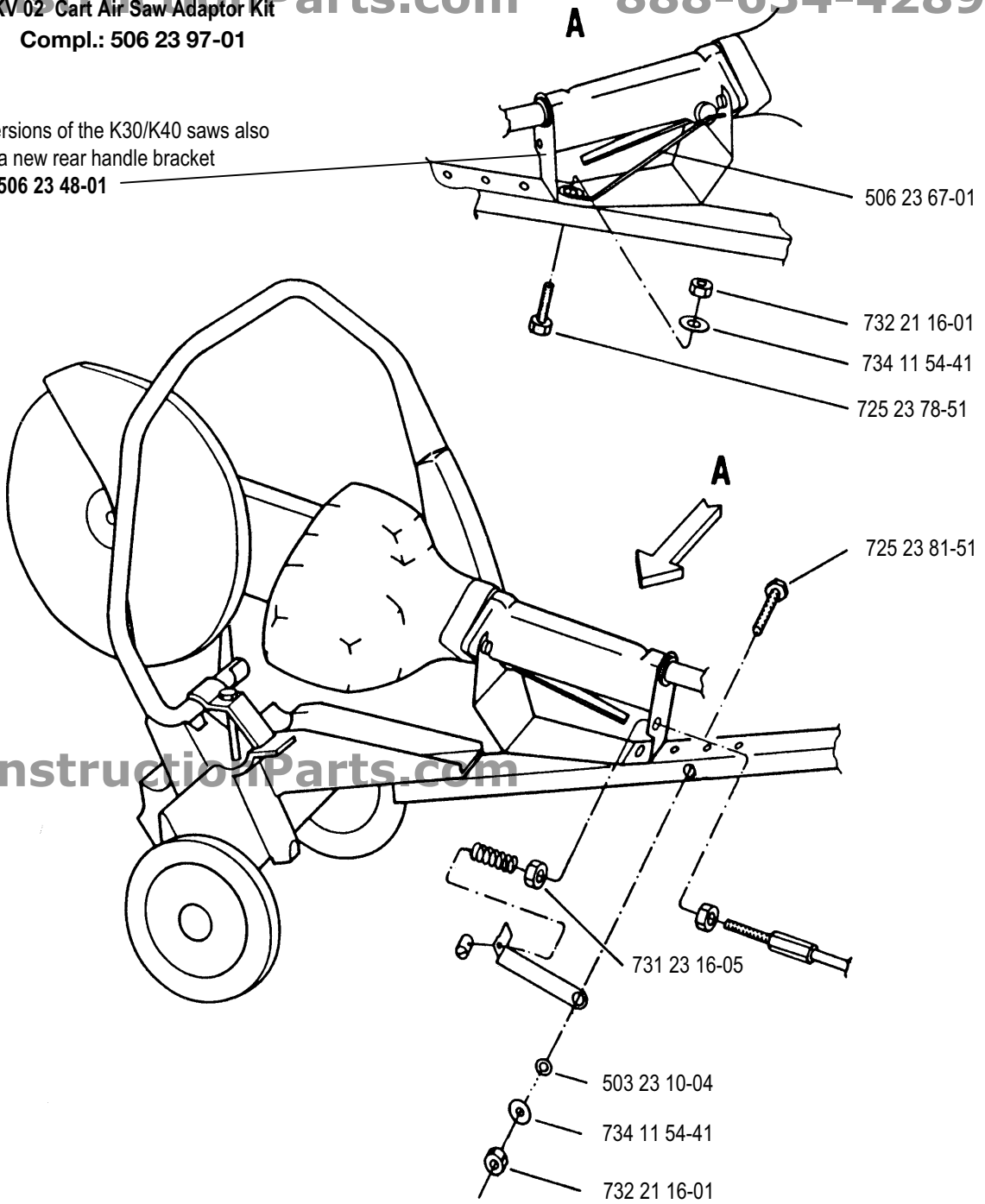


KV 02 Cart Air Saw Adaptor Kit
Compl.: 506 23 97-01

Note:

Early versions of the K30/K40 saws also
require a new rear handle bracket

Part # 506 23 48-01



No.	Description	No.	Description	No.	Description
501 69 17-02	Wrench	506 19 12-01	Cover	506 21 95-01	Spring
503 20 00-01	Screw M5 X 20	506 19 13-01	Gasket	506 23 48-01	Handle Bracket K30/K40
503 20 00-03	Screw M5x12	506 19 15-01	Ball Bearing	506 23 67-01	Lockout Pin K30/K40
503 20 00-04	Screw M5x16	506 19 16-01	Rotor Blade - K40	506 23 67-01	Lockout Pin K30/K40
503 20 00-07	Screw M5x40	506 19 16-11	Rotor Blade - K30	506 26 00-02	12" Blade Guard
503 20 00-16	Screw M5x28	506 19 17-01	Handle Grip	506 29 83-64	Arbor Shaft w. bolt
503 20 00-45	Screw-M8x16	506 19 18-01	Lever	721 68 01-51	Spring Clip
503 20 02-16	Screw M5 X 16	506 19 20-01	Plate K30,K40	723 12 89-51	Screw
503 20 30-09	Screw M6 X 120	506 19 22-02	Pulley K30/K40	724 32 91-01	Screw
503 22 00-01	Flange Nut M8	506 19 23-01	Spacer	725 23 78-51	Bolt
503 22 65-04	Square Nut M5	506 19 26-01	Valve Seal	725 23 81-51	Bolt
503 22 66-01	Square Nut M6	506 19 27-01	Washer	725 52 95-55	Screw
503 23 00-05	Washer 5.3x12	506 19 28-01	Shaft	725 52 99-05	Screw
503 23 01-04	Washer 15 X 21	506 19 29-01	Spring	725 53 27-55	Screw M5 X 12
503 25 00-02	Ball Bearing	506 19 31-01	Sleeve	725 53 70-55	Bolt
503 25 21-01	Ball Bearing	506 19 32-01	Spring K40	725 53 72-55	Screw, M6 X 25
503 26 30-16	O-Ring	506 19 32-11	Spring K30	731 23 14-05	Nut M5
506 02 84-01	Cog Washer	506 19 34-01	Govn'r Cage	731 23 16-05	Nut M6
506 02 86-01	Spacer	506 19 35-01	Gov. Weight K40	732 21 14-01	Lock nut
506 02 87-01	Flange Washer 12"	506 19 35-11	Weight K30	732 21 16-01	Lock nut-M6
506 02 90-01	Cover	506 19 37-01	Governor Shaft	734 11 54-41	Washer
506 02 91-02	Cutting Arm	506 19 38-01	Valve	734 11 54-41	Washer
506 02 92-01	Belt Guard	506 19 39-01	Safety Lock	735 31 09-20	E-Ring
506 02 95-01	Spacer	506 19 40-01	Spring	740 48 27-02	O-Ring
506 02 95-03	Hose 14" Guard	506 19 41-01	Thrtl Valve	801 88 52-15	Shim
506 02 96-01	Spring	506 19 42-01	Housing K40		
506 02 98-01	Handle 12"	506 19 42-11	Housing K30		
506 02 98-04	Rod 14" Guard	506 19 43-01	Rotor K40		
506 03 00-01	Front Pulley	506 19 43-11	Rotor K30		
506 03 06-02	Belt Adjuster Cpl	506 19 44-01	Cylinder K40		
506 03 30-31	Belt	506 19 44-11	Cylinder K30		
506 03 32-02	Bolt	506 19 45-01	Cylinder Plate		
506 03 38-01	Front Handle	506 19 46-01	Cyl. Plate		
506 03 45-01	Plate	506 19 47-01	Rotor Nut		
506 03 62-01	Washer (Rubber)	506 19 48-01	Adj. Sleeve		
506 03 62-02	Washer (Rubber)	506 19 49-01	Adj. Washer		
506 03 62-04	Spacer (Plastic)	506 19 50-01	Washer		
506 03 88-01	Warning Label	506 19 51-01	Cover K40		
506 03 95-20	Arbor Bushing 20mm	506 19 51-11	Cover K30		
506 03 95-22	Arbor Bushing 7/8"	506 19 52-01	Valve		
506 03 95-25	Arbor Bushing 1"	506 19 53-01	Spring		
506 07 07-01	Flange Bushing	506 19 54-01	Holder		
506 07 09-01	Flange Washer 14"	506 19 55-01	Washer		
506 07 26-02	Front Handle	506 19 56-01	Washer		
506 13 82-01	Guard 14"	506 19 57-01	Rubber Seal		
506 13 95-11	Washer	506 19 58-01	Pin		
506 13 96-01	Bolt	506 19 59-01	Pin		
506 14 32-01	Stud	506 19 60-01	Pin		
506 14 42-01	Support	506 19 61-01	Pin		
506 14 43-01	Support Feet	506 19 62-01	Pin		
506 19 06-01	Fitting	506 19 63-01	Screw		
506 19 08-01	Valve Body	506 19 65-01	Screw		
506 19 10-01	Whip Hose	506 19 72-01	Coupler - 1/2"		
506 19 11-01	Oilier - K40 (As15)	506 20 41-01	Spacer		
		506 21 21-01	Retaining Washer		