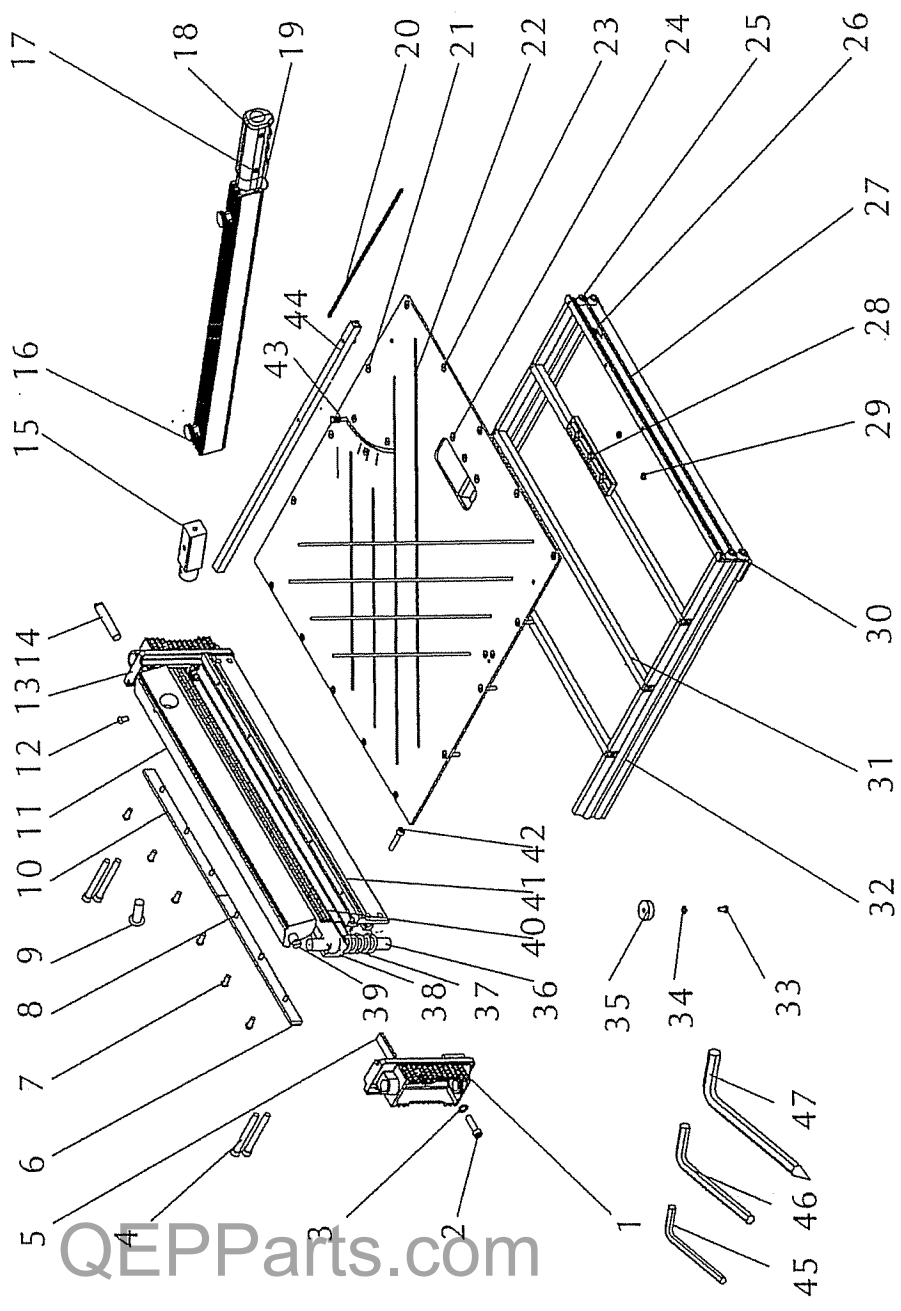


10-66.

PART LIST



QEPParts.com
888-634-4289
An iBuy Stores Company

10-66-10 NYLON BAR - 10-66

10-66-11 ALU ECC CAM 10-66

10-66-13 SIDE FRAME B - 10-66

10-66-14 ROTATING SHAFT A 10-66

10-66-15 HANDLE BASE 10-66

10-66-16 PULL PIN 10-66

10-66-17 HANDLE-1 - 10-66

10-66-18 Handles for 10-66

10-66-20 THIN NUT M4 10-66

10-66-21 HOOK A 10-66

10-66-22 LEFT ABS HANDLE- 10-66

10-66-23 CROSS HEAD SCREW M4X31 10-66

10-66-26 WORKING TABLE - 10-66

10-66-27 HEX HEAD SCREW M5X8

10-66-30 HOOK B - 10-66

10-66-31 END TABLE FRAME - 10-66

10-66-4 HEX HEAD BOLT M8X66-10-66

10-66-42 CROSSHEAD SCREW M5X10 - 10-66

10-66-43 PLAIN WASHER - 10-66

10-66-44 RUBBER FEET(1)- 10-66

10-66-47 BLADE HOLDER 10-66

10-66-48 ROTATING SHAFT B 10-66

10-66-5 NYLON BOARD 10-66

10-66-52 KNURLED PIN M5-10-66

10-66-53 CUTTING GUIDE- 10-66

10-66-54 ALLEN WRENCH M5-10-66

10-66-55 ALLEN WRENCH M6-10-66

10-66-56 ALLEN WRENCH M8-10-66

10-66-57 SIDE SUPPORT SCREW 1 EA

10-66-58 HANLE 10-66 (RIGHT AND LEFT)

10-66-6 NYLON BASE HOLDER 10-66