

REVISED STARTING
SERIAL # 120610259

PARTS LIST MANUAL

MODEL TMC7



GASOLINE MODEL

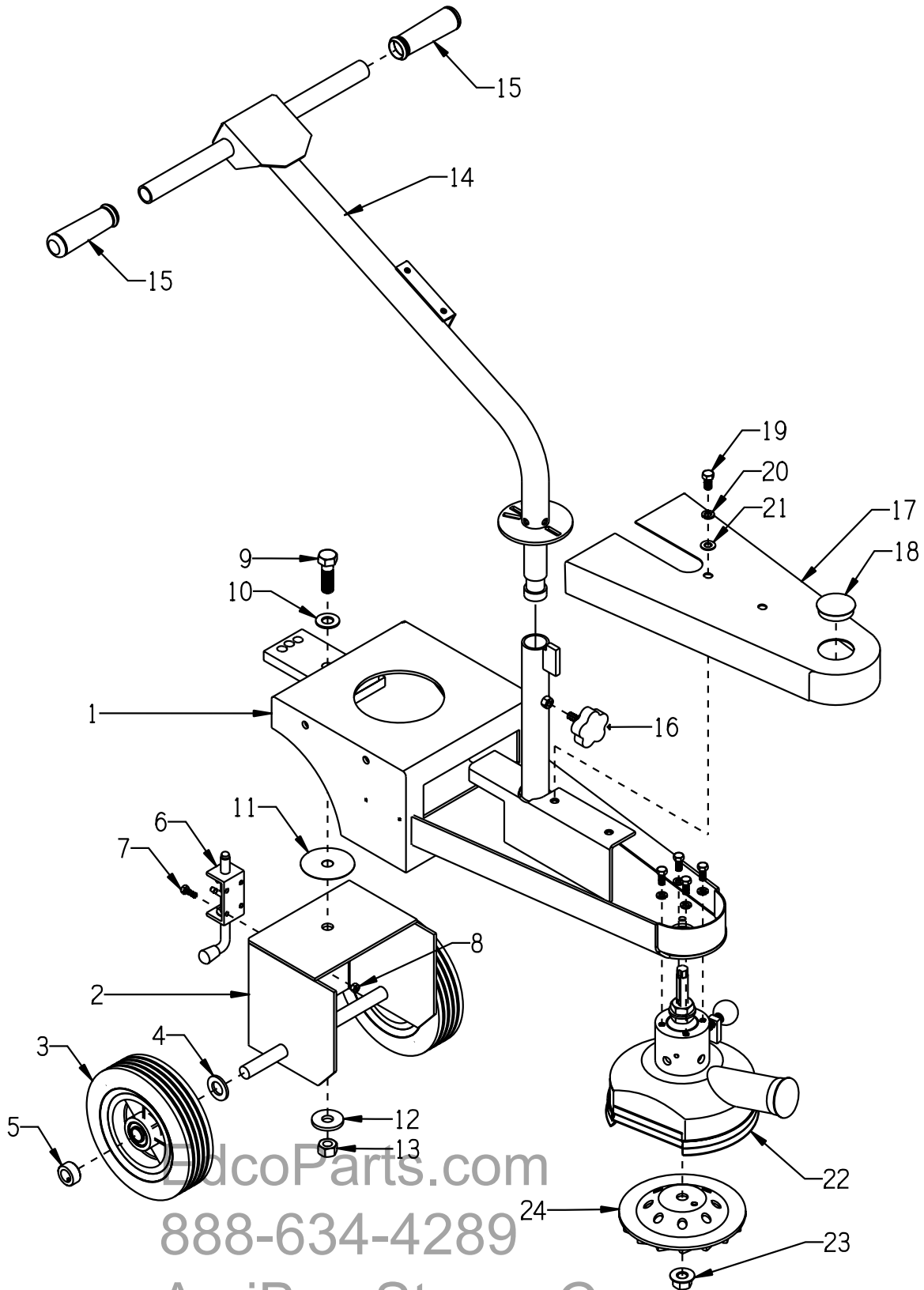


ELECTRIC MODEL

7" TURBO MAX COMBO GRINDERS

SKU #	MODEL #	POWER OPTION
57100	TMC7-5.5H	HONDA GASOLINE ENGINE MODEL GXV160
57200	TMC7-2L	LEESON ELECTRIC MOTOR 2HP 60Hz 1-PHASE 115/230V

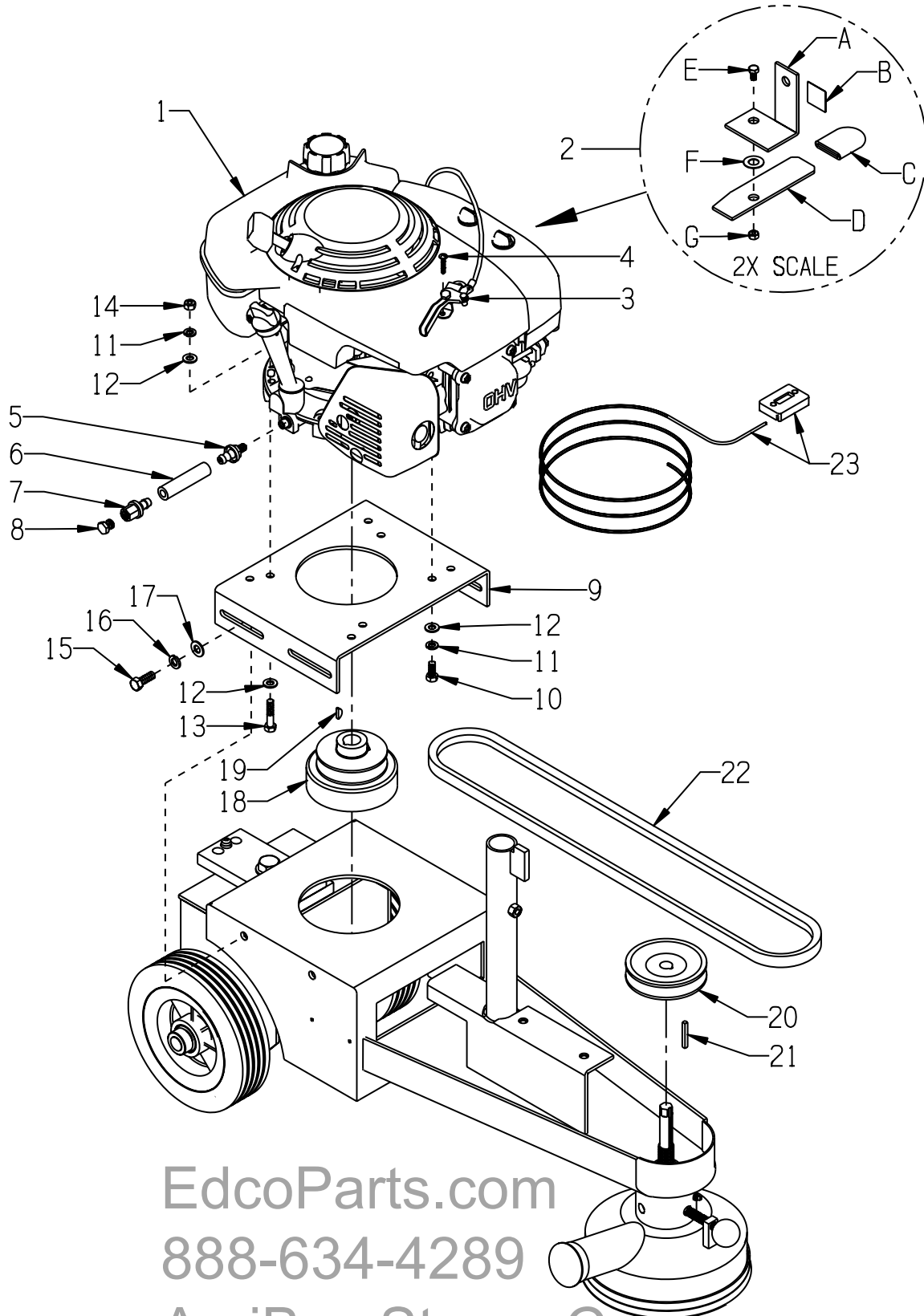
ILLUSTRATION 1 : MAIN GROUPING



PARTS LISTING - ILLUSTRATION 1: MAIN GROUPING			
ITEM #	PART #	DESCRIPTION	QTY.
1	72320	MAIN FRAME	1
2	72302	CHASSIS, WHEEL	1
3	79013SH	WHEEL, STL.HUB 8 X 2-1/2 X 3/4"BRG.	2
4	10009	WASHER, FLAT 3/4 SAE	2
5	10428	COLLAR, LOCKING 3/4"ID	2
6	72304	LATCH, SPRING 1/2" SNAP LOCK	1
7	11634	SCREW, CAP M6 X 1.0P X 20MM	4
8	28026	NUT, HEX NYLON LOCK M6 X 1MM	4
9	10350	SCREW, CAP 5/8-11 X 2	1
10	10073	WASHER, FLAT 5/8 SAE	1
11	72309	WASHER, DELRIN 3 X 5/8 X 1/32	1
12	72303	WASHER, WHEEL CHASSIS 1-3/4"OD X .630"ID X 3/16"THK.	1
13	11707	NUT, HEX NYLON LOCK 5/8-11	1
14	72305	HANDLE BAR	1
15	10608	GRIP, HAND .937 X 4.5 BLK VYNAFOAM	2
16	51230	KNOB, STAR CLAMPING 3/8-16 X 1"STUD	1
17	72306	COVER, BELT	1
18	65022	PLUG, HOLE 2"	1
19	10907	SCREW, CAP 3/8-16 X 3/4	2
20	10811	WASHER, LOCK 3/8	2
21	10025	WASHER, FLAT 3/8 SAE	2
22	72313 72323 72312 72322	HEAD ASEMBLY W/ COVER (REFER TO ILLUS. 4 & 5 FOR BREAKDOWNS) FLEX HEAD ASSY. W/ CUT COVER (STD.) FLEX HEAD ASSY. W/ FULL COVER (OPT.) RIGID HEAD ASSY. W/ FULL COVER (OPT.) RIGID HEAD ASSY. W/ CUT COVER (OPT.)	1
23	72021	NUT, FLANGE 5/8-11 (INCLUDED W/ HEAD ASSY., ITEM 22)	1
*24	72030 ... 72031 ...	7" DIAMOND CUPWHEEL CONCRETE DRY GRINDING 5/8"ARBOR W/ PIN HOLE ... 40 - 50 GRIT (STANDARD) ... 150 GRIT (OPTIONAL)	1

* SEE ILLUSTRATIONS 6 & 7 FOR OPTIONAL DISC ASSEMBLIES

ILLUSTRATION 2: ENGINE GROUPING



EdcoParts.com

888-634-4289

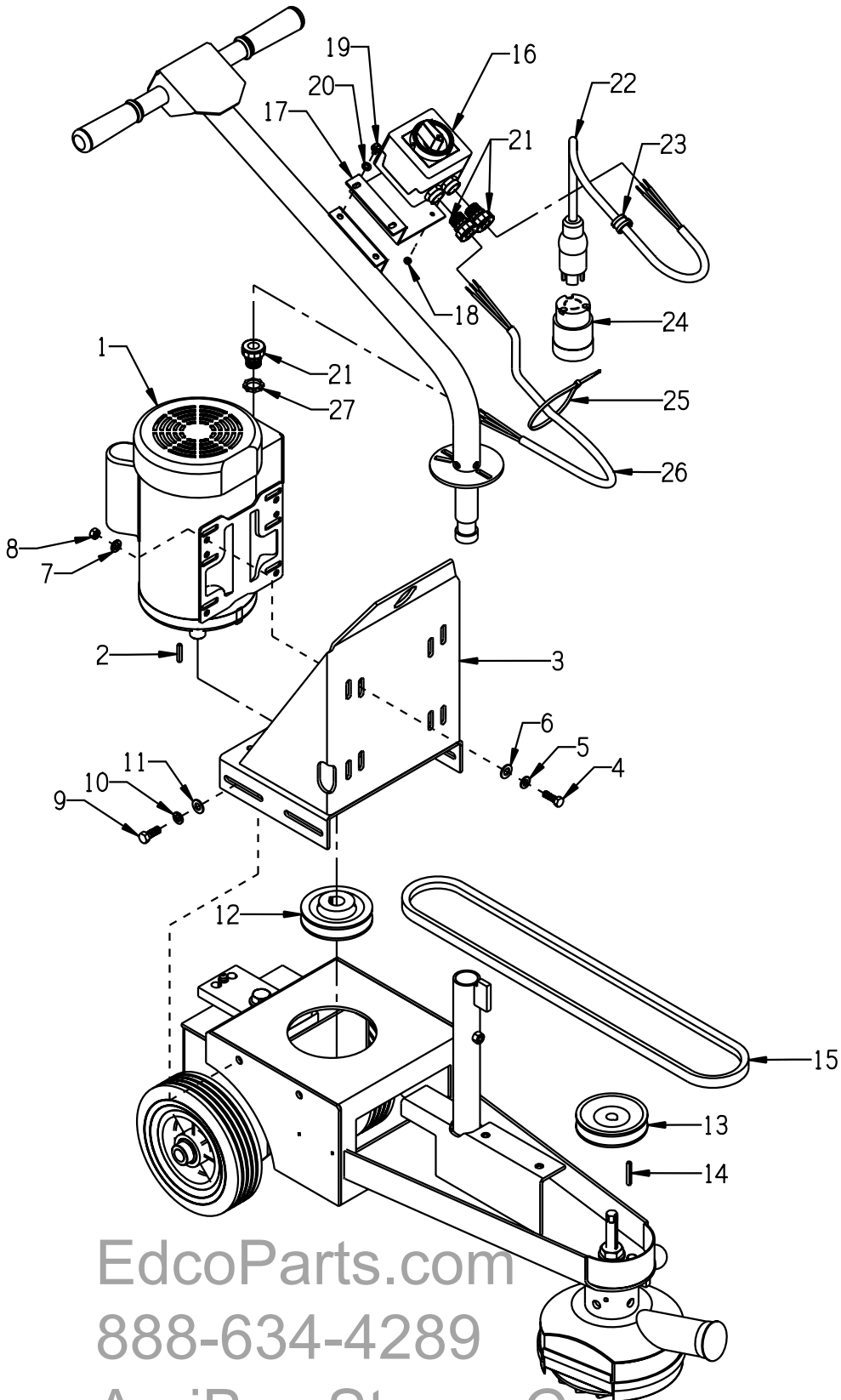
An iBuy Stores Company

PARTS LISTING - ILLUSTRATION 2: ENGINE GROUPING			
ITEM #	PART #	DESCRIPTION	QTY.
1	76020	ENGINE, HONDA GXV160UH2-N12	1
2	15180	MANUAL CHOKE KIT FOR HONDA GXV160	1
A	15182	BRKT., CHOKE CONTROL, GXV160	1
B	91301	DECAL, CHOKE 5/8 X 5/8	1
C	15184	CAP, FLAT RED .062 X .75 X 1	1
D	15181	LEVER, CHOKE CONTROL, GXV160	1
E	10834	SCREW, CAP 1/4-20 X 1/2	1
F	15186	WASHER, BELLEVILLE .500 X.255 X.018	1
G	10150	NUT, HEX NYLON LOCK 1/4-20	1
3	40388	CABLE, THROTTLE, LEVER-TYPE 24"	1
4	10830	SCREW, MACHINE 10-32 X 1/2 (SHOWN)	2
	10832	NUT, KEPS 10-32 (NOT SHOWN)	2
5	11541	BARB, PUSH-ON 3/8 HOSE X10MM X 1.25	1
6	56116	HOSE, PUSH-ON 3/8"ID X 3"L	1
7	11544	BARB, PUSH-ON 3/8 HOSE X 1/4FPT	1
8	10776	PIPE PLUG 1/4 NPT (BRASS)	1
9	86311	MOUNT, ENGINE	1
10	10048	SCREW, CAP 5/16-24 X 3/4	3
11	10801	WASHER, LOCK 5/16	4
12	10213	WASHER, FLAT 5/16 SAE	5
13	10204	SCREW, CAP 5/16-18 X 1-3/4	1
14	10054	NUT 5/16-18	3
15	10055	SCREW, CAP 3/8-16 X 1	4
16	10811	WASHER, LOCK 3/8	4
17	10025	WASHER, FLAT 3/8 SAE	4
18	77024	CLUTCH, CENTRIFUGAL 3.5 X 1GR X 7/8	1
19	10019	KEY, WOODRUFF 5/32 X 5/8 (#505)	1
20	72223	SHEAVE 4"OD X 1GR.B X 5/8"BORE	1
21	10016	KEY 3/16SQ X 1-1/2	1
22	10282	BELT B-53	1
23	15138	HOUR METER, INDUCTIVE (OPTIONAL ACCESSORY)	1

888-634-4289

An iBuy Stores Company

ILLUSTRATION 3: MOTOR GROUPING



EdcoParts.com
888-634-4289

An iBuy Stores Company

PARTS LISTING - ILLUSTRATION 3: MOTOR GROUPING			
ITEM #	PART #	DESCRIPTION	QTY.
1	16037	MOTOR, LEESON CAT. NO.120867 2HP-1PH-60Hz-1740RPM-115/230V <i>REPLACEMENT PARTS:</i>	1
	16167	CAPACITOR, START, LEESON 003025.18 (600MFD 125V)	1
	16174	CAPACITOR, RUN, LEESON 003014.02 (50MFD-240V)	1
	16161	RESET BUTTON, LEESON 300048.04 (BRJ44DB)	1
2	-----	KEY 3/16"SQ. X 1-3/8"L (INCLUDED W/ MOTOR)	1
3	86404	MOUNT, MOTOR	1
4	10806	SCREW, CAP 5/16-18 X 1	4
5	10213	WASHER, FLAT 5/16 SAE	4
6	10025	WASHER, FLAT 3/8 SAE	4
7	10801	WASHER, LOCK 5/16	4
8	10054	NUT 5/16-18	4
9	10055	SCREW, CAP 3/8-16 X 1	4
10	10811	WASHER, LOCK 3/8	4
11	10025	WASHER, FLAT 3/8 SAE	4
12	72012	SHEAVE 4"OD X 1GR.B X 7/8"BORE	1
13	72223	SHEAVE 4"OD X 1GR.B X 5/8"BORE	1
14	10016	KEY 3/16SQ X 1-1/2	1
15	10282	BELT B-53	1
16	77043	SWITCH, ROTARY CAM ON/OFF, LOVATO (INCLUDES 2 ADAPTERS: PG16 TO 1/2"NPT)	1
17	77042	BRACKET, LOVATO ROTARY CAM SWITCH	1
18	10462	NUT, KEPS 8-32 (SHOWN)	4
	11663	SCREW, MACHINE 8-32 X 1/2 (NOT SHOWN)	4
19	10018	SCREW, CAP 1/4-20 X 3/4	2
20	10038	WASHER, LOCK 1/4	2
21	41130	STRAIN RELIEF 1/2NPT X .550-.650"	3
22	77044	PLUG W/ 12/3 WIRE HARNESS, LOCKING	1
23	11690	CLAMP, LOOM, 3/8"	1
24	40041	CONNECTOR, LOCKING 20A/125V L5-20C	1
25	10982	TIE, CABLE, BLACK NYLON 11-1/4"	1
26	77045	WIRE HARNESS 12/3 X 42"LOA	1
27	10790	CONDUIT LOCK NUT 1/2 NP	1

ILLUSTRATION 4: STANDARD FLEX HEAD ASSEMBLY

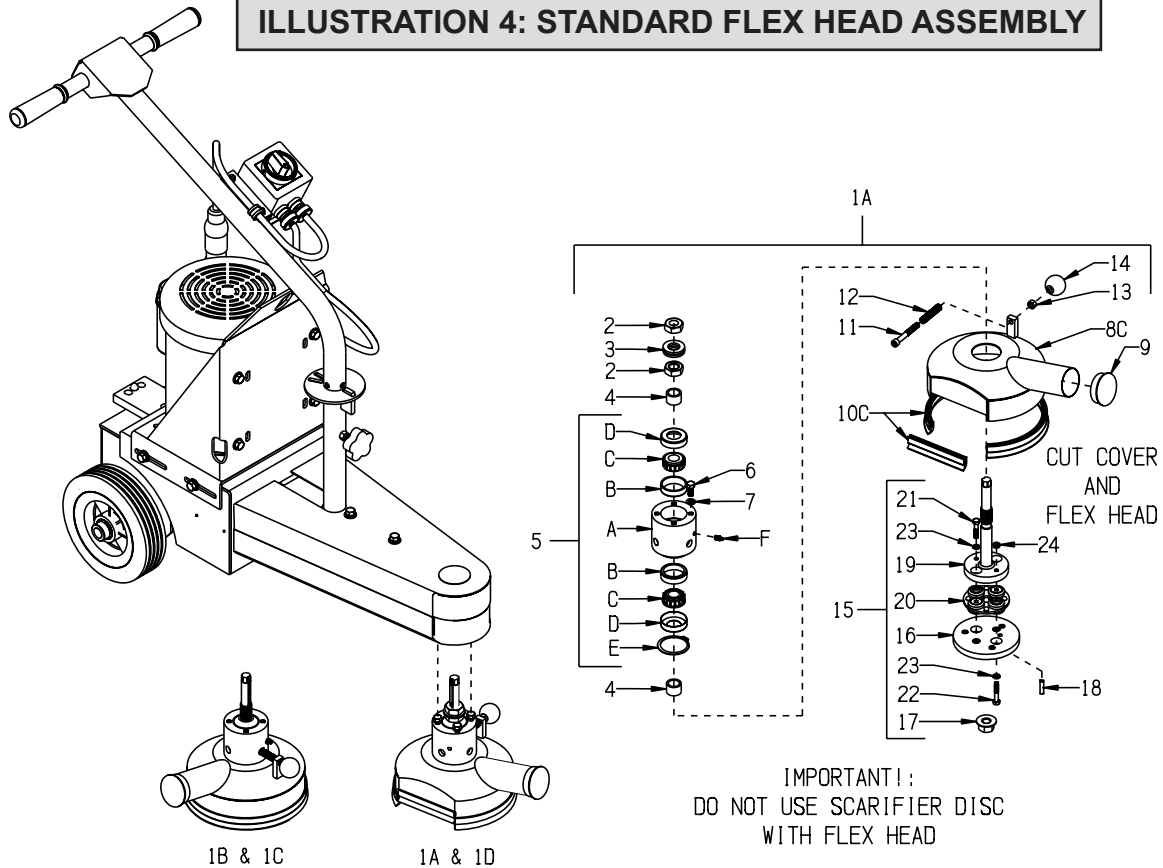
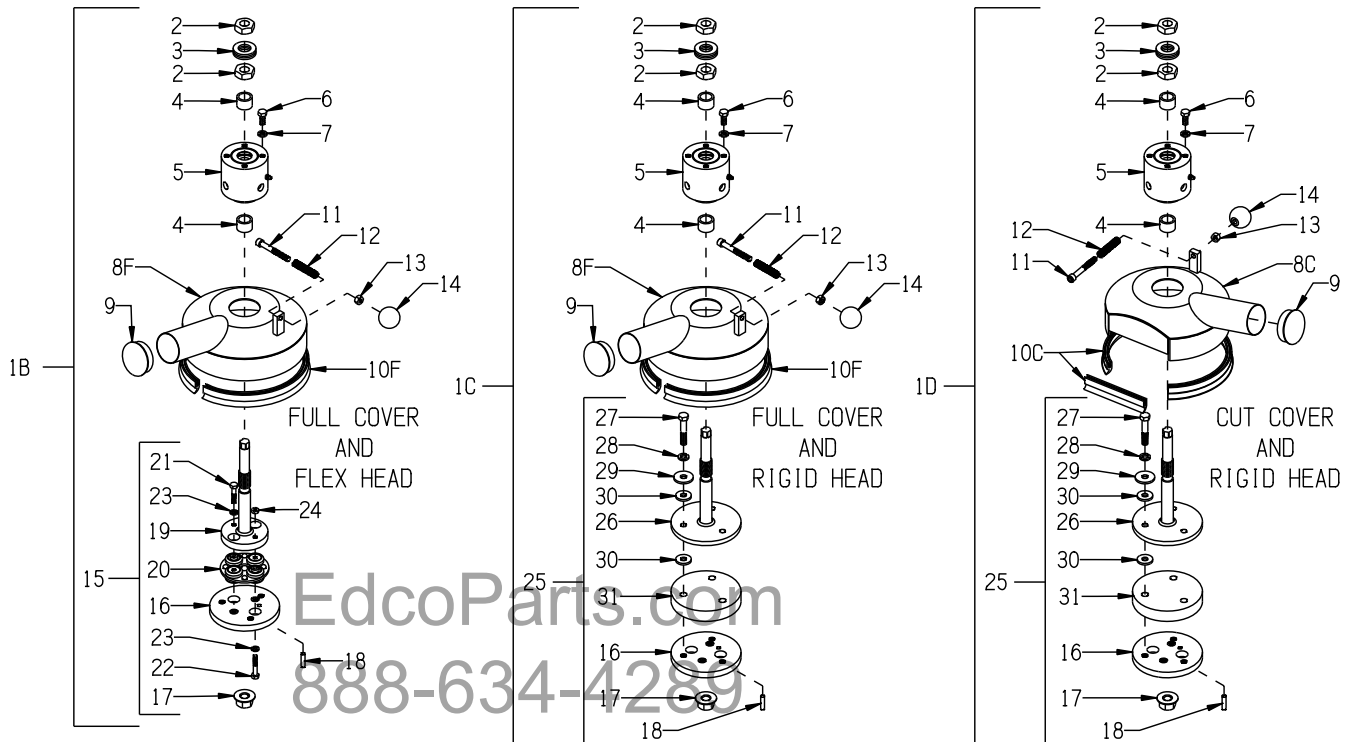
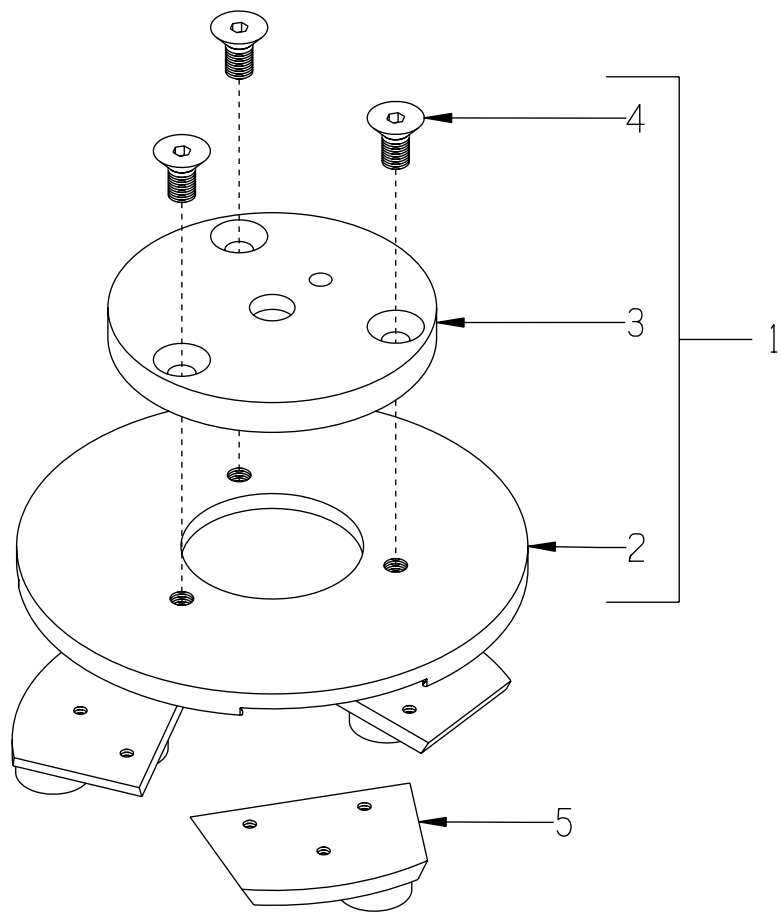


ILLUSTRATION 5: OPTIONAL HEAD ASSEMBLIES



PARTS LISTING - ILLUSTRATIONS 4 & 5: STANDARD & OPTIONAL HEAD ASSEMBLIES			
ITEM #	PART #	DESCRIPTION	QTY.
1A	72313	FLEX HEAD ASSY. W/ CUT COVER (STANDARD)	1
1B	72323	FLEX HEAD ASSY. W/ FULL COVER (OPTIONAL)	1
1C	72312	RIGID HEAD ASSY. W/ FULL COVER (OPTIONAL)	1
1D	72322	RIGID HEAD ASSY. W/ CUT COVER (OPTIONAL)	1
2	10403	NUT, JAM 3/4-10	2
3	72215	WASHER, NORD-LOCK 3/4" (PAIR)	1
4	72209	SPACER, 1"OD X 3/4ID X 11/16L (HARDENED)	2
5	72210A	HUB ASSY., BEARING (INCLUDES ITEMS A THRU F)	1
A	72210	HUB, BEARING	1
B	3686	BEARING CUP, TAPERED ROLLER LM11910	2
C	3687	BEARING, TAPERED ROLLER 3/4"ID CONE LM11949	2
D	72211	SEAL CR10034 1"ID x 1.785"OD x .469"W	2
E	72212	RING, EXT. RETAINING 2"	1
F	10808	FITTING, GREASE 1/4-28 STRAIGHT	1
6	10053	SCREW, CAP 5/16-18 X 3/4	4
7	10801	WASHER, LOCK 5/16	4
8C	72308	COVER ONLY, CUT W/ 2" VACUUM PORT	1
8F	72307	COVER ONLY, FULL W/ 2" VACUUM PORT	1
9	65021	CAP/PLUG 2" RED PLASTIC, FLANGED	1
10C	72314	SEAL-STRIP REPLACEMENT, CUT COVER	1
10F	72317	SEAL-STRIP REPLACEMENT, FULL COVER	1
11	11671	SCREW, SKT. HD. CAP 5/16-24 X 2-1/2	1
12	28124	SPRING, COMP. 7/16"OD X 2"FL	1
13	10424	NUT 5/16-24	1
14	10920	KNOB, BALL 1-3/8 W/ 5/16-24THD, BLK	1
15	72316	HEAD ASSY. W/O COVER, FLEX (ITEMS 16 THRU 24)	1
16	72024	FLANGE, CUP WHEEL MOUNTING	1
17	72021	NUT, FLANGE 5/8-11	1
18	10049	PIN, ROLL 1/4 X 1	1
19	72208	FLANGE W/ SHAFT, FLEX	1
20	72025	COUPLING, MORFLEX 302 CENTER	1
21	11656	SCREW, CAP 1/4-28 X 1-1/4, GRADE 8	2
22	10038	WASHER, LOCK 1/4	4
23	11657	SCREW, CAP 1/4-28 X 1-1/2, GRADE 8	2
24	11662	NUT, HEX NYLON JAM 1/4-28	2
25	72315	HEAD ASSY. W/O COVER, RIGID (ITEMS 26 THRU 31)	1
26	72310	FLANGE W/ SHAFT, RIGID	1
27	10030	SCREW, CAP 3/8-24 X 2	3
28	10811	WASHER, LOCK 3/8	3
29	72006	WASHER, 1-1/4OD X 13/32ID X 1/8THK	3
30	42224	BUSHING, RUBBER 1"OD X 3/8"ID X 1/8	6
31	72311	SPACER, RIGID HEAD	1

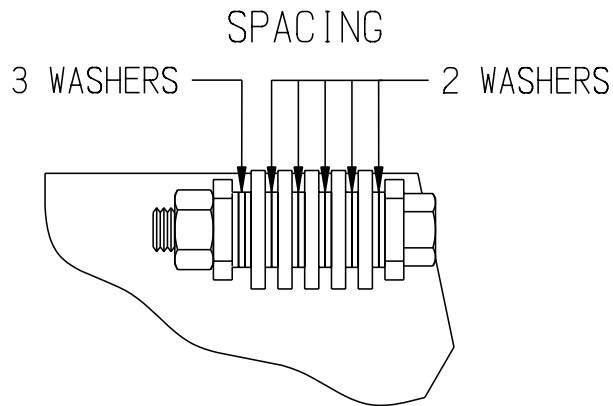
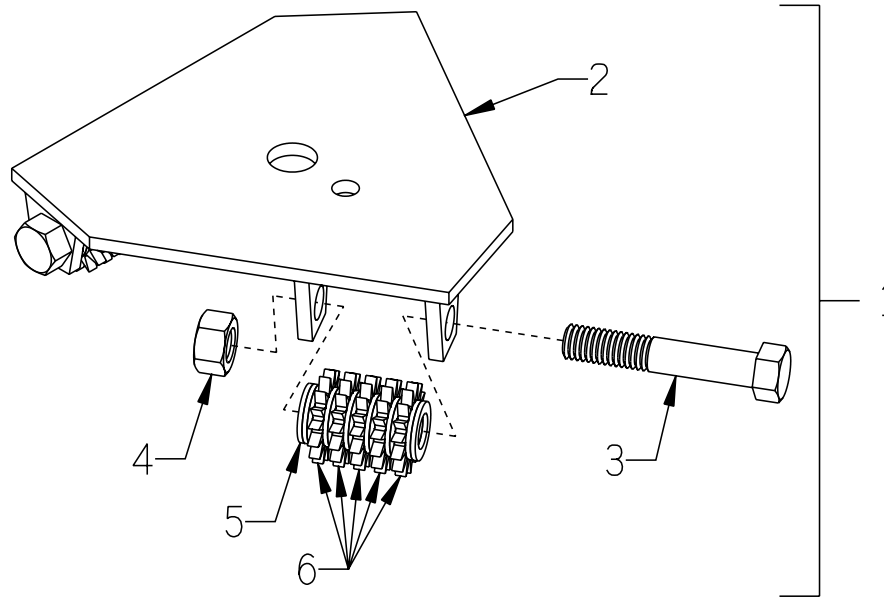
**ILLUSTRATION 6:
OPTIONAL MULTI-DISC ASSEMBLY**



IMPORTANT NOTE!:
WHEN USING WITH THE CUT STYLE COVER; THE RUBBER SEAL MUST BE REMOVED FROM THE FLAT SECTION OF THE COVER FOR CLEARANCE.

ITEM #	PART #	DESCRIPTION	QTY.
1	72034	MULTI-DISC ASSEMBLY 7" (INCLUDES ITEMS 2 THRU 4)	1
2	72034-SA	MULTI-DISC ONLY	1
3	72035	HUB, MULTI-DISC	1
4	86108	SCREW, FLAT HD SKT 3/8-24 X 3/4	3
5	SEE ACCESSORY LITERATURE	QUICK-CHANGE DIAMOND ACCESSORY (NOT INCLUDED) VARIOUS TYPES AND GRITS ARE AVAILABLE. SEE ACCESSORY LITERATURE FOR INFORMATION.	3 REQ'D. PER DISC

**ILLUSTRATION 7:
OPTIONAL SCARIFIER DISC ASSEMBLY
IMPORTANT! - USE ON MODELS WITH RIGID HEAD ONLY**



ITEM #	PART #	DESCRIPTION	QTY.
1	72040	7EDSD SCARIFIER DISC ASSY. 7" (INCLUDES ITEMS 2 THRU 6)	1
2	72041	DISC, SCARIFIER 7"	1
3	10175	SCREW, CAP 7/16-14 X 2-1/2 GRADE 8	3
4	10176	NUT, HEX NYLON, LOCK 7/16-14	3
5	72045	WASHER, FLAT 7/16" 18-8SS AN960	39
6	72050	CUTTER WHEEL 1-3/16"(SOLID CARBIDE)	15