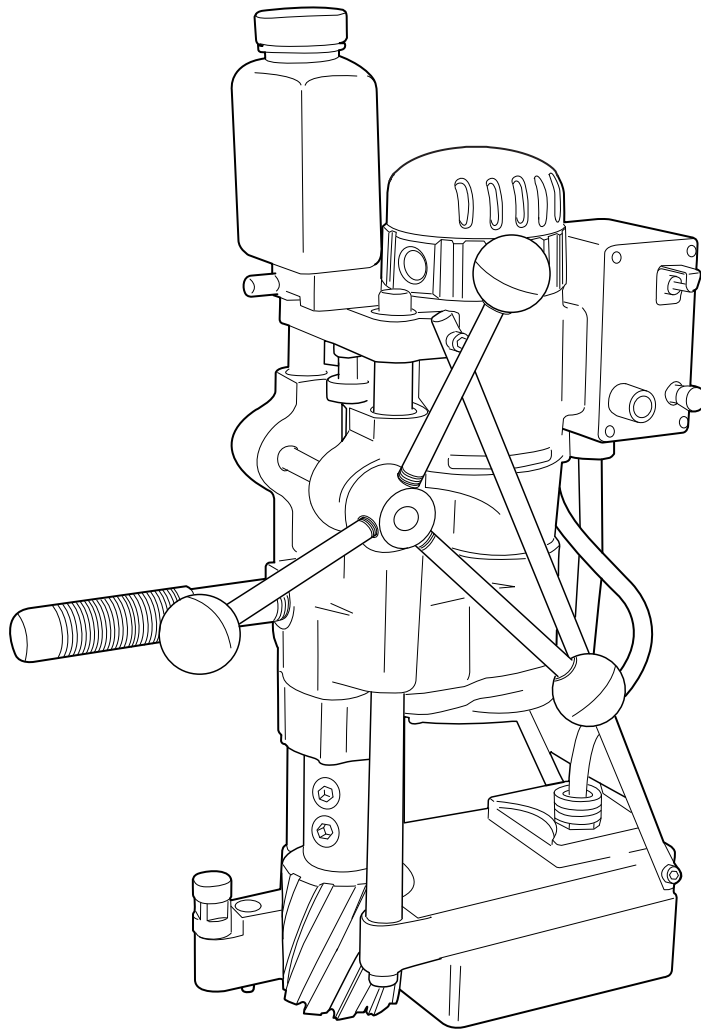




# HMD915 SERIES PORTABLE MAGNETIC DRILL

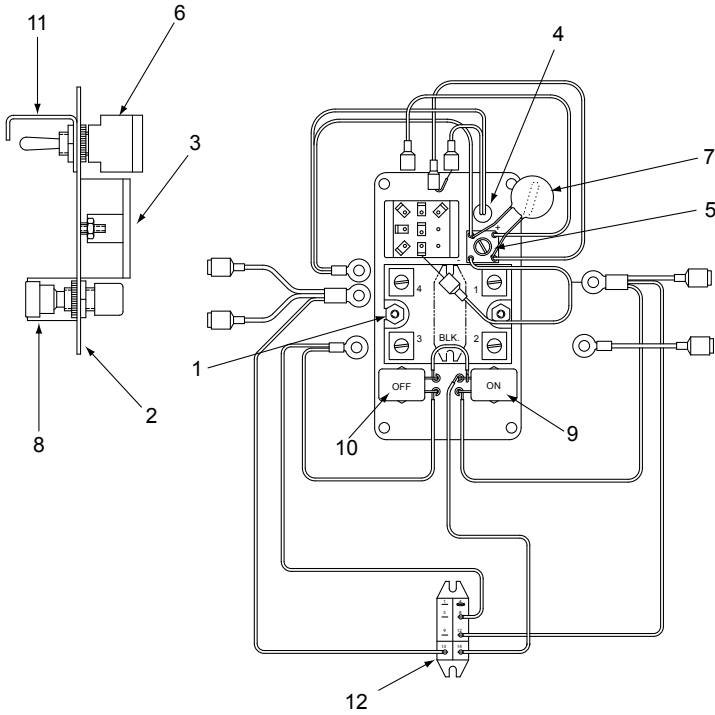
## OPERATOR'S MANUAL

COVERS DRILL PART NUMBERS 0915102, 0915202, 0915302, 0915402



**FOR USE WITH "42,000/43,000-SERIES" CUTTERS**

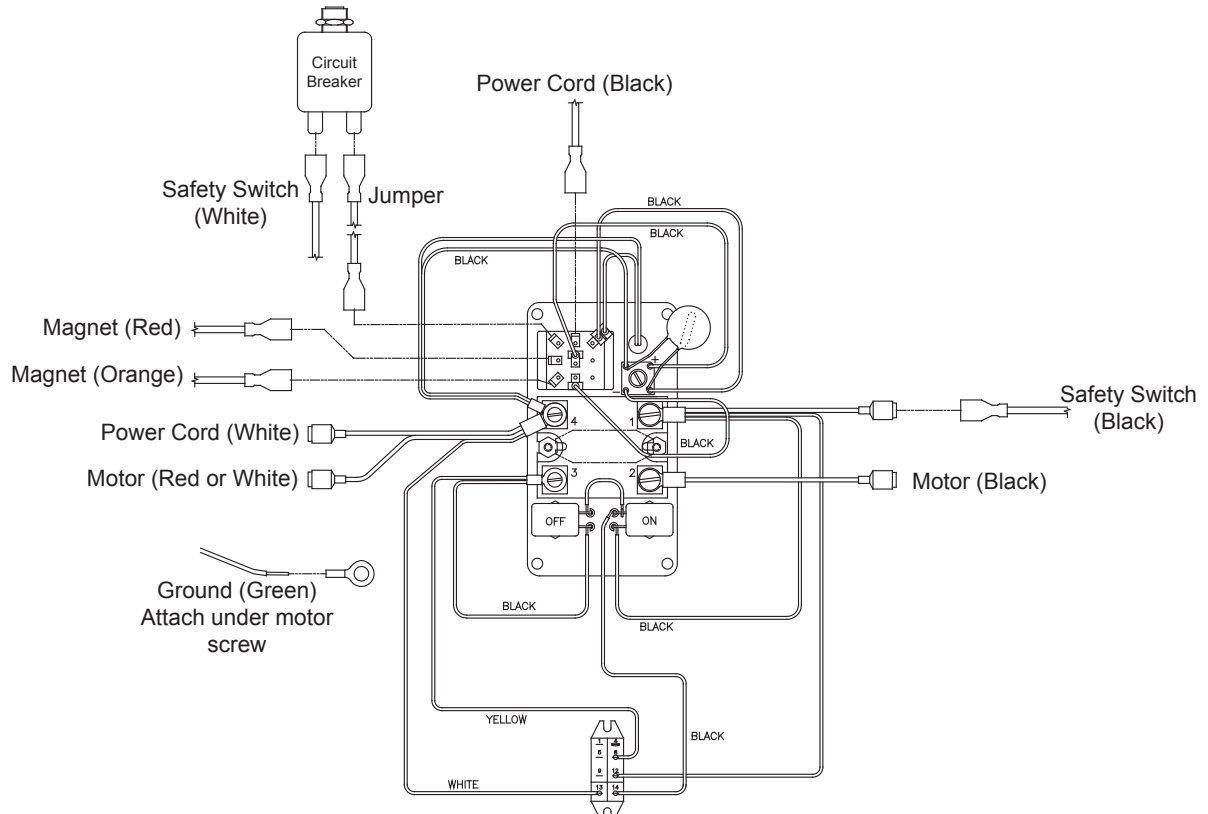
# 120V PANEL COMPONENTS (04381)



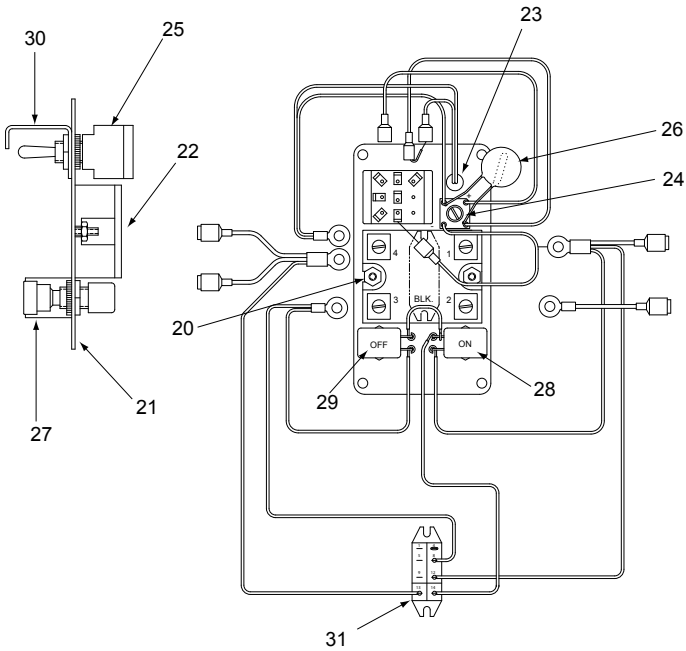
No.	Part #	Description	Qty.
1	40374	Nut #6-32	2
2	05840	Faceplate	1
3	04387	Relay - Solid State	1
4	10703	Pilot Light	1
5	10705	Rectifier	1
6	10715	Toggle Switch Magnet	1
7	10718	Surge Suppressor	1
8	10762	Push Button SwitchGuard	1
9	10763	Motor "ON" Switch	1
10	10764	Motor "OFF" Switch	1
11	10964	Toggle Switch Guard	1
12	01205	Relay Logic	1
13	04381	120V Panel Assy.	1
*	10766	Circuit Breaker	1
*	40084	Control Panel Wire Harness	1

\* Not Shown

# 120V HOOK UP DIAGRAM



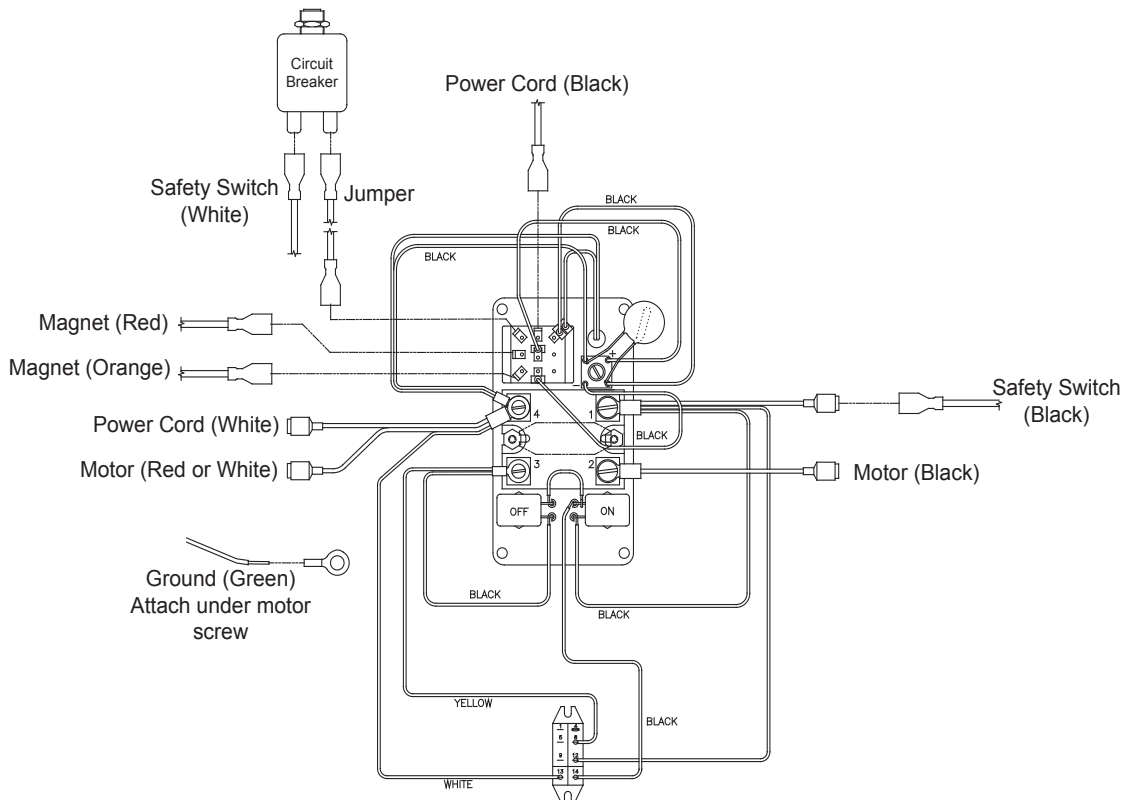
# 230V PANEL COMPONENTS (10796)



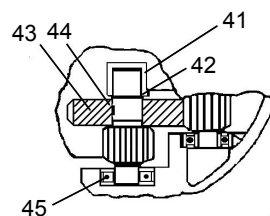
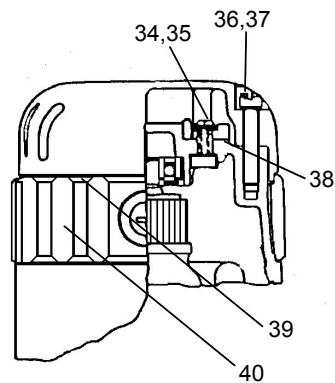
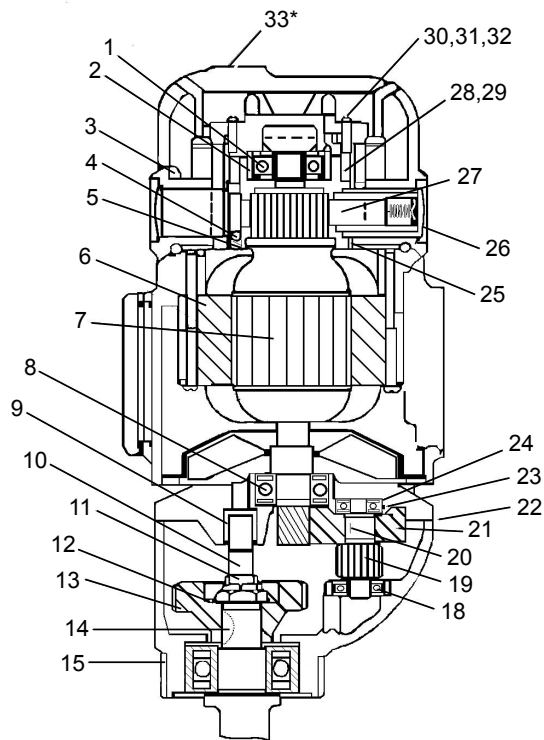
No.	Part #	Description	Qty.
20	40374	Nut #6-32	2
21	05840	Faceplate	1
22	04387	Relay - Solid State	1
23	10703	Pilot Light	1
24	10705	Rectifier	1
25	10715	Toggle Switch Magnet	1
26	10760	Surge Suppressor	1
27	10762	Push Button SwitchGuard	1
28	10763	Motor "ON" Switch	1
29	10764	Motor "OFF" Switch	1
30	10964	Toggle Switch Guard	1
31	01005	Relay Logic	1
32	10796	230V Panel Assy.	1
*	10785	Circuit Breaker	1
*	40084	Control Panel Wire Harness	1

\* Not Shown

# 230V HOOK UP DIAGRAM



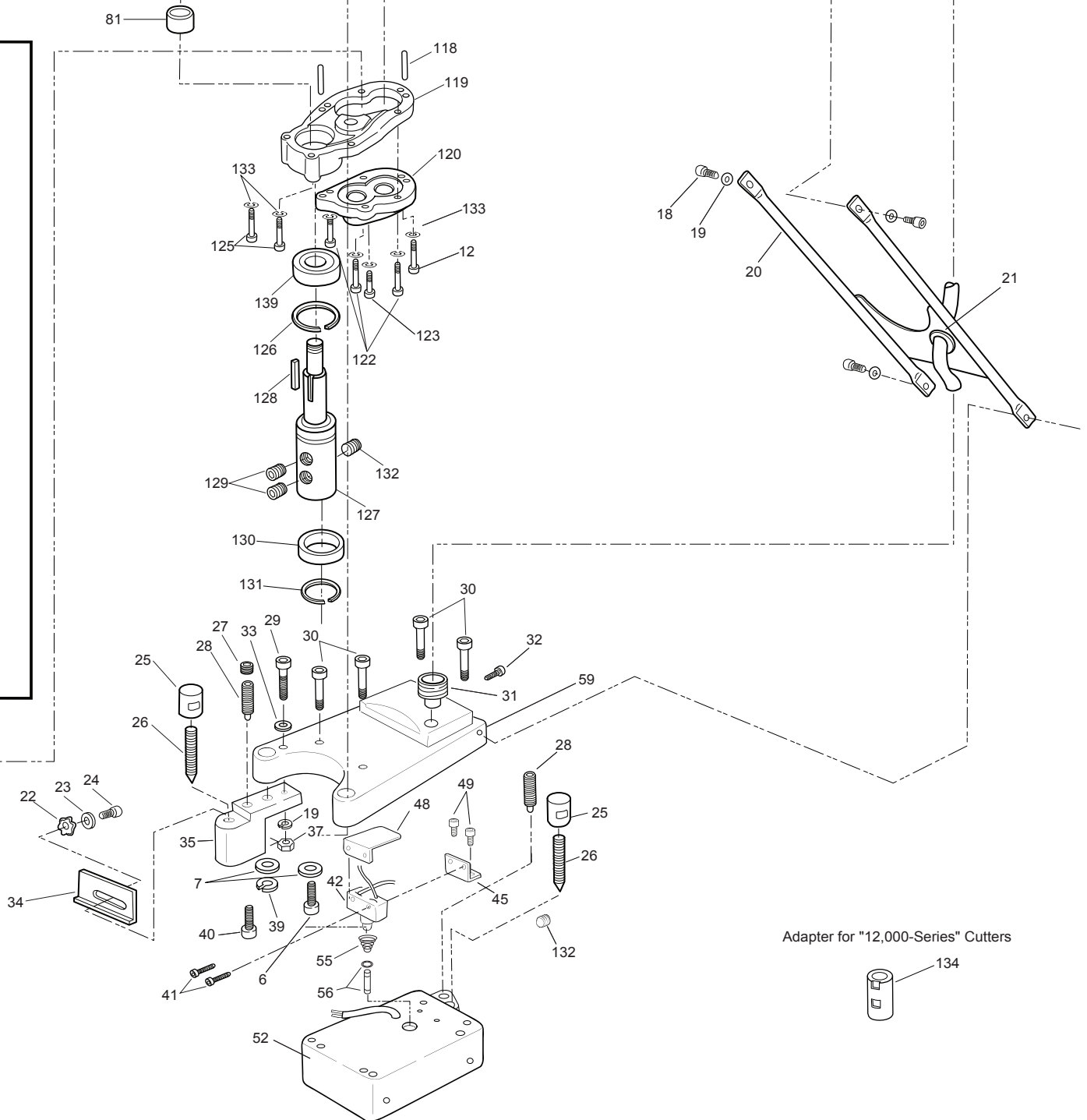
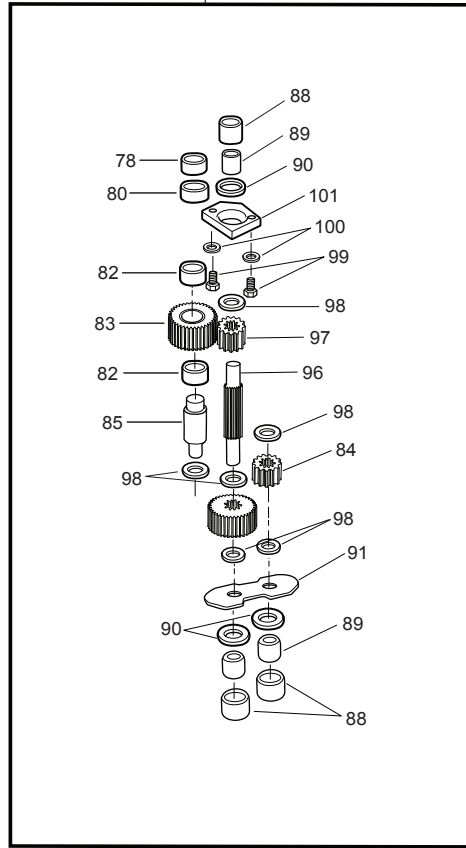
# MOTOR PARTS



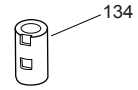
No.	Part #	Description	Qty
1	BD-14201	Ball Bearing	1
2	BD-30612	Bearing Plug	1
3	BD-31675	Set Screw	2
4	BD-475	3/16" Ball	1
5	BD-38769	Dentent Pin Spring	1
	40140	Lock Pin	1
6	07224	Field - 120V	1
	BD-450070-00	Field - 230V	1
7	07223	Armature - 120V	1
	BD-450063-42	Armature - 230V	1
8	BD-330003-12	Ball Bearing	1
9	BD-21635	Needle Bearing	1
10	40000	Output Shaft	1
11	BD-70920	Lock Nut	1
12	BD-45051	Cone Lock Washer	1
13	BD-55196	Spindle Gear	1
14	BD-13851	Spindle Gear Key	1
15	BD-38219	Bearing Cap	1
18	BD-30090	Ball Bearing	1
19	BD-38278	1st Internal Pinion	1
20	BD-6952	1st Internal Gear Key	1
21	BD-38210	1st Internal Gear	1
22	BD-939467-00	Gasket	1

No.	Part #	Description	Qty
23	BD-30613	Bearing Plug	1
24	BD-20774-01	Ball Bearing	1
25	BD-24323	Insulating Shield	2
26	BD-33880-81	Brush Holder Cap	2
27	10583	Brush (Pair)	1
28	BD-38226	Brush Lead	2
29	BD-9293	Brush Lead Terminal	2
30	BD-38225	Contact Block Assy	1
31	BD-4006-01	Rivet	2
32	BD-38224	Contact	2
33	BD-54914-06	Spade Handle	1
34	BD-4145-01	Lock Washer	2
35	BD-37955	Screw	2
36	BD-9842	Screw	2
37	BD-416	Lock Washer	6
38	BD-37914	Insulating Spacer	2
39	BD-445694	Anit-Friction Ring	1
40	BD-38201-02	Reverse Switch Ring	1
41	BD-38221	Needle Bearing	1
42	BD-38218	Thurst Washer	1
43	BD-55401	Gear & Pinion Assy	1
44	BD-6952	2nd Internal Gear Key	1
45	BD-8068	Ball Bearing	1





Adapter for "12,000-Series" Cutters



# HMD915 PART NUMBERS

No.	Part #	Description	Qty
	<b>40126</b>	Bottle Assembly	1
1	<b>40126</b>	Cap (Must buy Bottle Assy)	1
2	<b>40123</b>	Hold Down Fitting	1
3	<b>40058</b>	Washer	1
4	<b>40121</b>	Bottle	1
5	<b>40126</b>	Block (Must buy Bottle Assy)	1
5a	<b>40125</b>	Drip Tube	1
6	<b>40070</b>	SHCS 1/2-13 x 1	3
7	<b>40069</b>	Washer 1/2	4
8	<b>40126</b>	Adjustment Needle	1
9	<b>40124</b>	O-Ring	1
10	<b>90071</b>	Screw 1/4-20 x 1/4	2
11	<b>40062</b>	Tie Bar	1
12	<b>40108</b>	SHCS 1/4-20 x 1-1/4	3
13	<b>40067</b>	Feed Rod	2
14	<b>40052</b>	Hex Nut 7/16-14	1
15	<b>40105</b>	Knurled Nut 7/16	1
16	<b>40113</b>	Ejector Rod	1
17	<b>40114</b>	Ejector Rod Point	1
18	<b>40558</b>	SHCS 5/16-18 x 3/4	4
19	<b>40107</b>	Lock Washer 5/16	4
20	<b>40086</b>	Strut Assy	1
21	<b>40117</b>	Grommet	1
22	<b>90065</b>	Lock Washer 1/4	3
23	<b>90027</b>	Flat Washer 1/4	1
24	<b>10553</b>	SHCS 5/16-18 x 7/8	1
25	<b>40181</b>	Head Impactor	2
26	<b>40182</b>	Point Impactor	2
27	<b>40141</b>	SCR-SOC Set 5/8-11 x 1/2	1
28	<b>10644</b>	Spring Plunger	2
29	<b>40183</b>	SCR-SHC 5/16-18 x 2-1/4	1
30	<b>40143</b>	SCR-SHC 5/16-18 x 1-1/2	4
31	<b>10592</b>	Strain Relief	3
32	<b>10977</b>	SCR-BHC 1/4-20 x 1/4	1
33	<b>40074</b>	Washer 5/16 Flat	1
34	<b>40095</b>	Chip Breaker Insert	1
35	<b>40134</b>	Chip Breaker Block	1
37	<b>40184</b>	Nut 5/16-18 UNC	1
39	<b>40110</b>	Washer Lock 1/2 Hel	4
40	<b>40111</b>	SCR-SHC 1/2-13 x 1-1/2	1
41	<b>10972</b>	SCR-BHC #6-32	2
42	<b>40130</b>	Safety Switch Assy	1

No.	Part #	Description	Qty
45	<b>04909</b>	Bracket-Safety Switch	1
48	<b>10983</b>	Shield-Safety Switch	1
49	<b>10971</b>	SCR-SHC 1/4-20 x 1/2	1
51	<b>90497</b>	SCR-SS 1/4-20 x 3/8 BR	2
52	<b>05329</b>	Magnet 230V	1
	<b>05325</b>	Magnet 115V	1
55	<b>17271</b>	Spring	1
56	<b>04961</b>	Plunger Assy	1
59	<b>40139</b>	Base Plate	1
61	<b>10626</b>	Seal 7/8	5
62	<b>40065</b>	Bushing 7/8	4
63	<b>40001</b>	Main Housing	1
64	<b>40071</b>	SCR-SHC 1/4-28 x 7/8	4
66	<b>40044</b>	Retaining Ring	1
67	<b>40032</b>	Washer 9/6 x 1-3/8	2
68	<b>40116</b>	Gear Spur 16 teeth	2
69	<b>40045</b>	Key	2
70	<b>40048</b>	Bushing 9/16	1
71	<b>40032</b>	Bushing 7/16	1
72	<b>40092</b>	Retaining Ring	1
73	<b>40112</b>	Thrust Washer	2
75	<b>40090</b>	Bearing 7/8	1
76	<b>40061</b>	Handle Assy	1
78	<b>40035</b>	Bushing	1
79	<b>40091</b>	Washer 7/8	1
80	<b>40026</b>	Gear Spindle 36 Teeth	1
81	<b>40118</b>	Spacer - Spindle	1
82	<b>40033</b>	Bearing 3/4	1
83	<b>40021</b>	Gear Idler 32 Teeth	1
84	<b>40011</b>	Change Gear 16 Teeth	1
	<b>40012</b>	Change Gear 18 Teeth	1
	<b>40014</b>	Change Gear 24 Teeth	1
	<b>40016</b>	Change Gear 30 Teeth	1
	<b>40017</b>	Change Gear 32 Teeth	1
85	<b>40018</b>	Idler Shaft	1
88	<b>40008</b>	Bearing	3
89	<b>40009</b>	Bearing	3
90	<b>40007</b>	Seal 3/4 x 1	3
91	<b>40006</b>	Retaining Ring Lower	1
94	<b>10681</b>	Grease Fitting	2
95	<b>40002</b>	Washer Altered	2
96	<b>40039</b>	Shaft-Spline	1

## HMD915 PART NUMBERS (CONT)

No.	Part #	Description	Qty
97	<b>40010</b>	Driven Gear 16 Teeth	1
98	<b>40020</b>	Thrust Washer	4
99	<b>40038</b>	SHCS 10-32 x 5/8	2
100	<b>10560</b>	Washer #10	2
101	<b>40037</b>	Upper Retaining Ring	1
104	<b>40083</b>	Electrical Box	1
105	<b>40082</b>	120V Motor	1
	<b>40131</b>	230V Motor	1
106	<b>10766</b>	Circuit Breaker 15A - 120V	1
	<b>10785</b>	Circuit Breaker 8A - 230V	1
107	<b>10771</b>	Grommet	1
108	<b>40066</b>	SCR-BHC 1/4-28	3
110	<b>10796</b>	Panel Assy - 120V	1
	<b>04381</b>	Panel Assy - 230V	1
111	<b>10710</b>	SCR- #6-32	2
112	<b>40128</b>	Power Cord 120V	1
	<b>04808</b>	Power Cord 230V	1
	<b>07562</b>	Power Cord 230V Type I	1
113	<b>90264</b>	Hub - Feed Shaft Assy	1
114	<b>10569</b>	Feed Handle	3
115	<b>04532</b>	Feed Handle Knob	3
116	<b>40084</b>	Cord	1

No.	Part #	Description	Qty
117	<b>40127</b>	O-Ring	1
118	<b>40076</b>	Dowel Pin 1/4	2
119	<b>40003</b>	Housing Spindle Bearing	1
120	<b>40005</b>	Lower Bearing Cap Assy	1
122	<b>40078</b>	SCR-SHC 1/4-20 x 1-1/2	3
123	<b>40077</b>	SCR-SHC 1/4-20 x 1	1
125	<b>40129</b>	SCR-SHC 1/4-20 x 2-1/4	2
126	<b>40023</b>	Retaining Ring	1
127	<b>40031</b>	Spindle	1
128	<b>40025</b>	Key 3/16	1
129	<b>40042</b>	SCR-SS 3/4-10 Alt	2
130	<b>40636</b>	Chip Guard	1
131	<b>40635</b>	Retaining Ring	1
132	<b>10621</b>	SCR-SS 1/4-20 x 1/4 BR	1
133	<b>04721</b>	Washer 1/4 Lock Washer	12
134	<b>40040</b>	Adapter	1
135	<b>40132</b>	Tag - Gear Chart	1
136	<b>40104</b>	#2 Drive Screw	4
137	<b>17537</b>	Label - Safety Instructions	1
138	<b>05841</b>	Label - 120V	1
	<b>05842</b>	Label - 230V	1
139	<b>40022</b>	Bearing	1