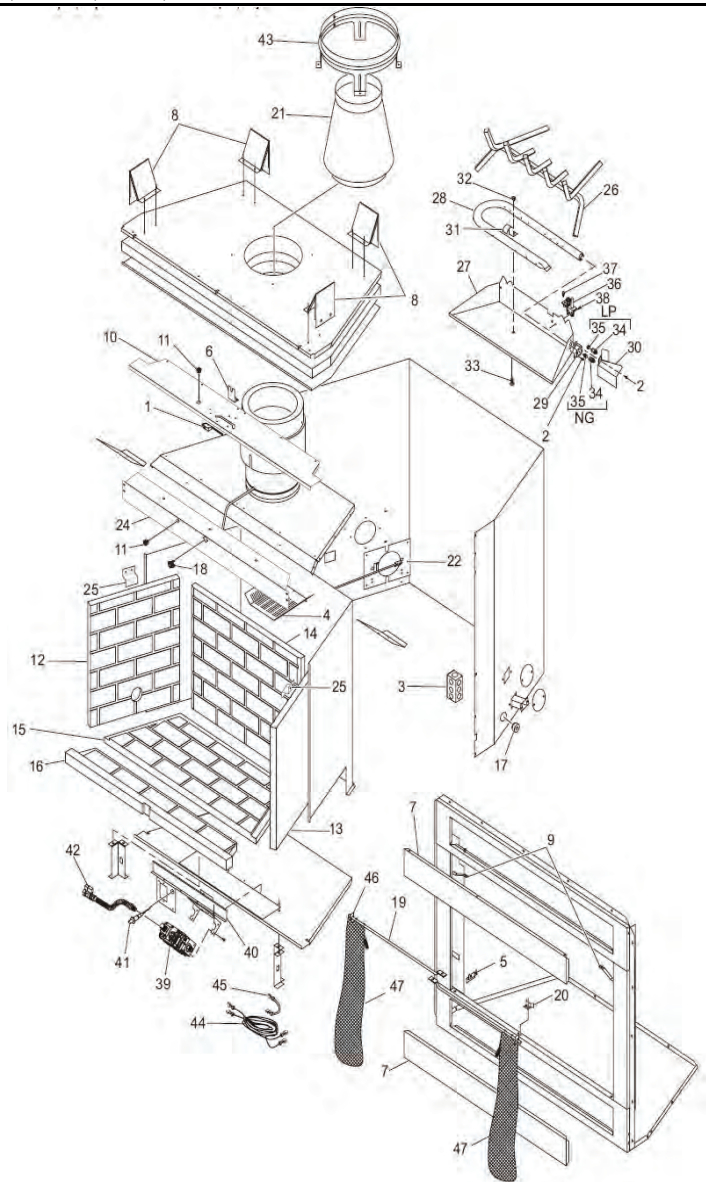


# FMI Mission 42" B-Vent Millivolt Fireplace

MODELS: M42, M42P, M42B, M42PB, M42H, M42PH

	Part Number	Description
1	14153	Micro Switch
2	11165	Screw, #10 x 5/8
3	24353	Box Assembly
4	22924	Draft Diverter
5	106642-01	Air Rod Retainer
6	106643-01	Damper Rod Retainer
7	107805-01	Panel Closure
8	20280	Top Spacer
9	20090	Spring Clip
10	107811-02	Air Separator
11	11408	Bushing
12	See Below	Left Refractory
13	See Below	Right Refractory
14	See Below	Rear Refractory
15	See Below	Bottom Rear Refractory
16	See Below	Bottom Front Refractory
17	14123	Strain Relief
18	106543-01	Limit Switch
19	107839-01	Screen Rod
20	20088	Door Stop
21	106699-01	Transition 6" B-Vent Collar
22	106703-02	Air Kit Door Assembly
23	20042	Air Kit Cover
24	107823-02	Smoke Deflector
25	20027	Brick Liner Retainer
26	107796-02	Grate Assembly
27	107742-02	Burner Pan
28	107831-01	Burner Tube
29	107748-01	Burner Bracket
30	107985-02	Pilot Shield
31	901681-01	Burner Clamp
32	11209	Nut, #10-24
33	11147	Screw, #10- 24 x 1/2
34	901066-01	Brass Air Mixer (NG)
	901066-02	Brass Air Mixer (LP)
35	901064-08	Orifice (NG)
	901065-08	Orifice (LP)
36	108084-01	Pilot (NG)
	108084-06	Pilot (LP)
37	108085-01	Pilot Orifice (NG)
	108085-02	Pilot Orifice (LP)
38	11102	Screw, #8- 32 x 3/8
39	14512	Gas Control Valve (NG)
	14513	Gas Control Valve (LP)
40	107741-01	Valve Bracket
41	097159-04	Piezo Ignitor
42	111288-02	Manual Valve w/ Flex Hose
43	20023	Starter Collar
44	108005-01	Wire Harness
45	108005-02	Wire Harness, Jumper
46	11418	Push-On Nut
47	107840-01	Screen (2 Required)



	Part No.	Description
<b>Stacked Brick Refractory</b>		
12	107812-02	Left Refractory
13	107814-02	Right Refractory
14	107816-02	Rear Refractory
15	107818-02	Bottom Rear Refractory
16	107820-02	Bottom Front Refractory
<b>Herringbone Brick Refractory</b>		
12	108169-02	Left Refractory
13	108170-02	Right Refractory
14	108171-02	Rear Refractory
15	108172-02	Bottom Rear Refractory
16	108173-02	Bottom Front Refractory
<b>PARTS AVAILABLE NOT SHOWN</b>		
	901155-01	Vermiculite Bag
	901156-01	Pan Material
	901157-02	Lava Rock