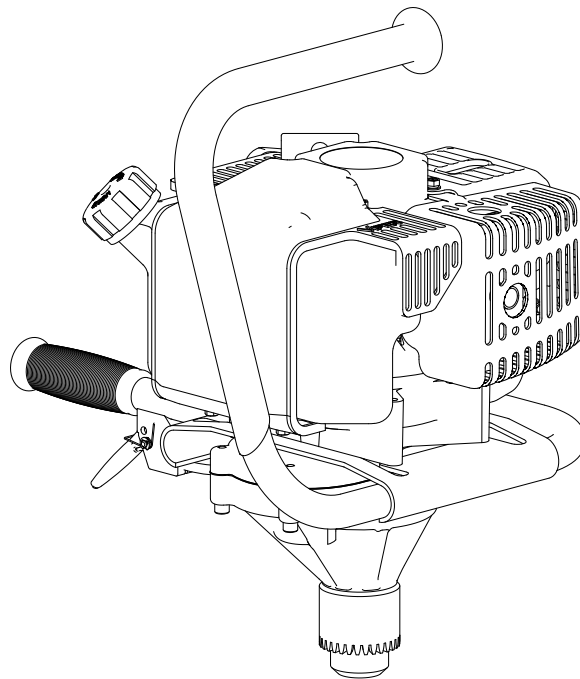


# Earthquake<sup>®</sup>

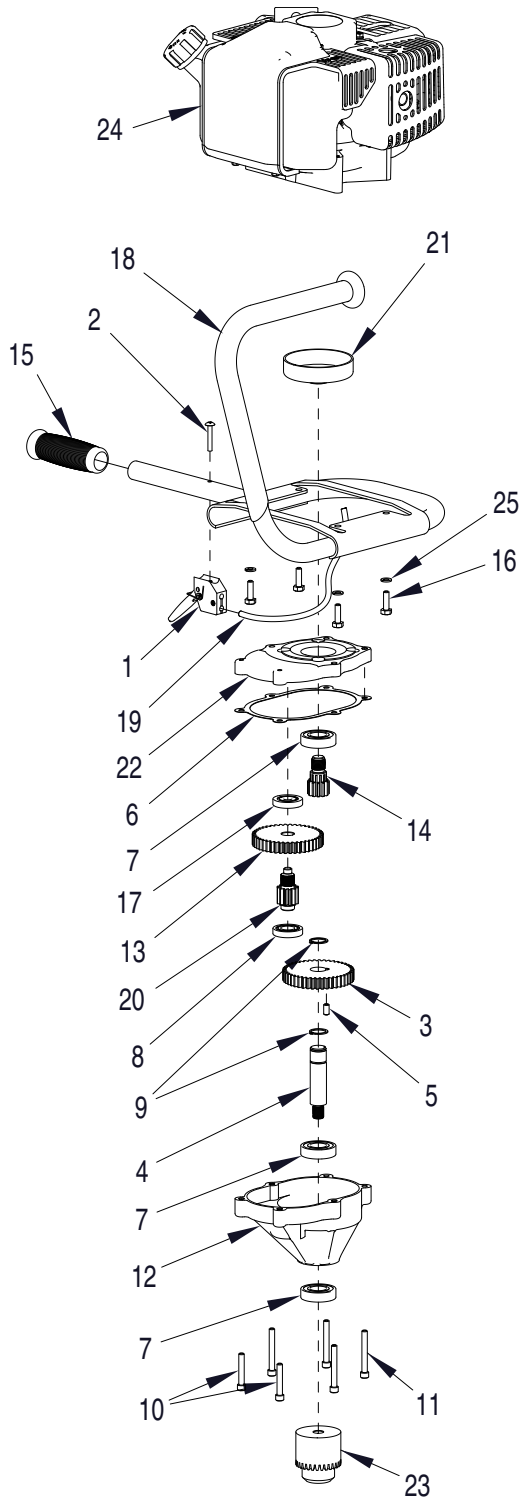
## ***OPERATOR'S MANUAL & PARTS EXPLOSIONS E43WC WOODCHUCK POWER DRILL***



OME43WC  
Rev. 7/23/07

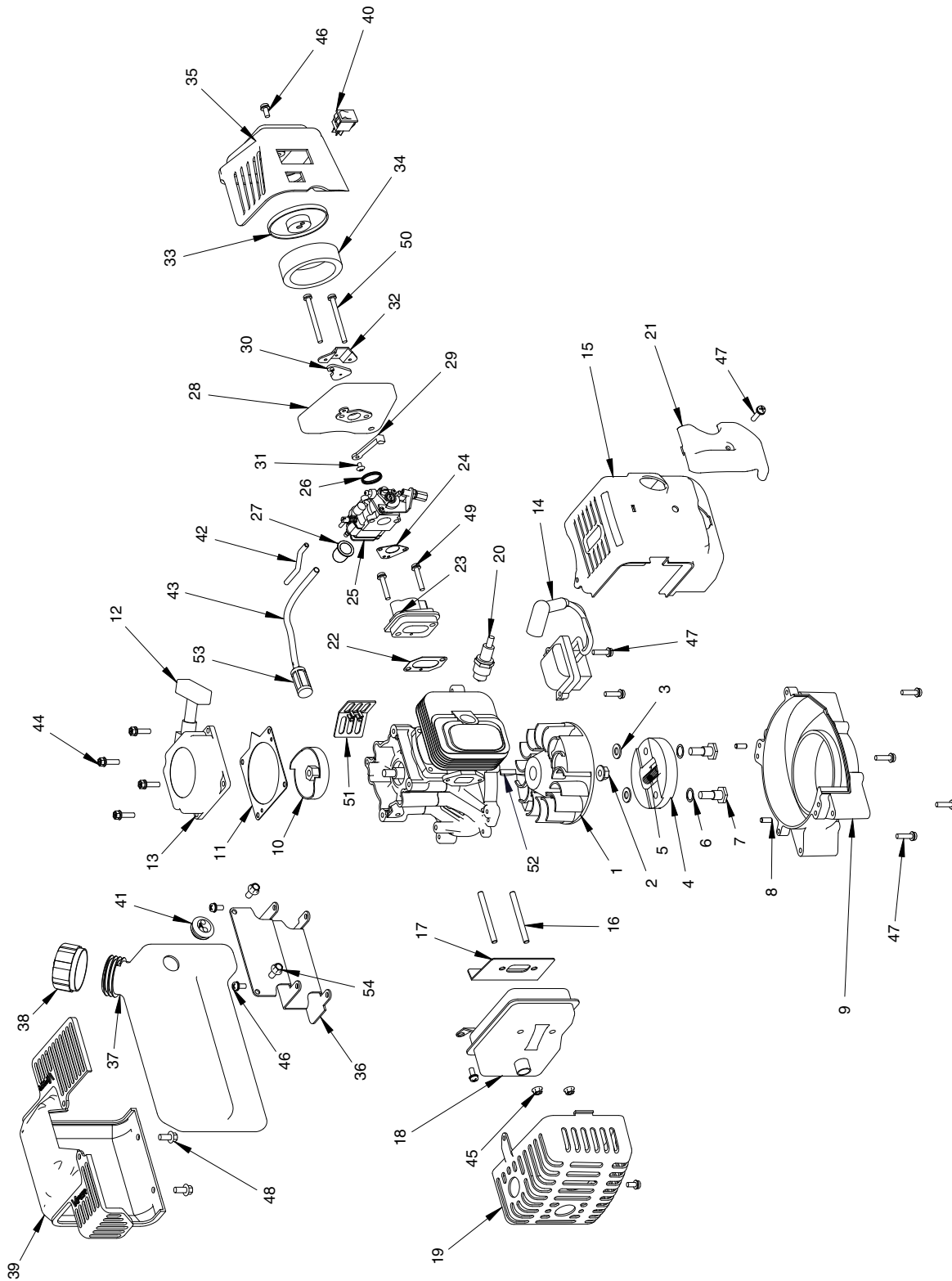
© Copyright 2007 Ardisam, Inc.  
All Rights Reserved. Printed in USA.

### E43WC POWER DRILL PARTS EXPLOSION & PARTS LIST



KEY NO.	PART NO.	DESCRIPTION	QTY.
1	4809	TRIGGER ASSEMBLY W/O CABLE	1
2	4814	BOLT 10-24 X 1-1/4" PHILLIPS TRUSS HEAD ZINC	1
3	8912	GEAR 44T 3/4" HOLE	1
4	8913WC	SHAFT 3/4" WITH 1/2" UNF	1
5	8915	DOWEL PIN STEEL 1/4" X 1/2"	1
6	8919	GASKET POWERHEAD TRANSMISSION	1
7	8922	BALL BEARING R12 DOUBLE LIP	3
8	8923	BALL BEARING R10	1
9	8924	SNAP RING EXTERNAL 3/4"	2
10	8929	BOLT 1/4-20 X 1-1/2" SOCKET HEAD CAPSCREW	2
11	8931	BOLT 1/4-20 X 2" SOCKET HEAD CAPSCREW PARTIAL THREAD	4
12	8939	GEAR CASE LOWER HALF	1
13	8973H	GEAR 44T 5/8-18 LH THREADED HARDENED	1
14	9017	GEAR 12T PINION THREADED HT	1
15	9211	HANDLE GRIP 7/8" ID FLANGELESS	1
16	67541	BOLT 1/4-20 X 7/8" HEX HEAD CAPSCREW GRADE 5 ZINC	4
17	300406	BEARING R10 WITH 3/8" BORE SIZE OPEN	1
18	300613	HANDLEBAR FRAME	1
19	300617	THROTTLE CABLE	1
20	300426	GEAR 12T PINION LH THREADED	1
21	3004100	CLUTCH DRUM ASSEMBLY 5/8" THREAD	1
22	3004111	GEAR CASE TOP	1
23	CHUCK	CHUCK 1/2" CAPACITY 1/2" FINE THREADED	1
24	E43CCV	VIPER ENGINE 43CC CATALYTIC CONVERTER	1
25	WL14	WASHER 1/4" SPRING LOCK ZINC	4
-	KEY	KEY 1/2" CHUCK	1
-	300352	TRANSMISSION ASSEMBLY	-

### E43WC ENGINE PARTS EXPLOSION



**E43WC ENGINE PARTS LIST**

KEY NO.	PART NO.	DESCRIPTION	QTY.
1	300484	FLYWHEEL, MAGNETO	1
2	300337	NUT, FLANGE M8	1
3	300462	WASHER, ROTOR	2
4	300413	CLUTCH ROTOR ASSEMBLY	1
5	300412	SPRING, CLUTCH	1
6	300449	WASHER, SPRING	2
7	300450	BOLT, SHOULDER	2
8	300467	PIN, LOCATING	2
9	3004110	MOUNT RING & SHROUD	1
10	300491	RECOIL CLUTCH	1
11	300429	PLATE, RECOIL	1
12	3004121	HANDLE, STANDARD RECOIL	1
13	300430	RECOIL ASSEMBLY W/ STANDARD HANDLE	1
14	300472	IGNITION COIL	1
15	300482	SHROUD, ENGINE	1
16	300493	BOLT, STUD M6 X 62MM	2
17	300475	GASKET, MUFFLER	1
18	4813	MUFFLER	1
19	4812	COVER, MUFFLER	1
20	BM6A	SPARK PLUG	1
21	300483	COVER, ENGINE SHROUD	1
22	300476	GASKET, INTAKE	1
23	300478	WINDPIPE, INTAKE	1
24	300479	GASKET, CARBURETOR	1
25	300486	CARBURETOR	1
26	300481	O-RING, CARBURETOR	1
27	3004109	PRIMER BULB	1
28	300329	BASE, INTAKE	1
29	300489	LEVER, CHOKE	1
30	300328	CHOKE COVER	1

KEY NO.	PART NO.	DESCRIPTION	QTY.
31	3004132	SCREW, THROTTLE LEVER	1
32	300455	PLATE, INTAKE COVER ADAPTER	1
33	300457	COVER, AIR FILTER	1
34	300435	AIR FILTER	1
35	300330	COVER, INTAKE	1
36	56105	BRACKET, GAS TANK	1
37	300331	GAS TANK	1
38	300403	GAS CAP, SELF VENTING	1
39	300332	SHROUD, GAS TANK	1
40	1021	SWITCH, ROCKER	1
41	300494	GROMMET, 2-HOLE GAS TANK	1
42	300497	HOSE, PRIMER LINE	1
43	300498	HOSE, FUEL LINE	1
44	300335	BOLT W/WASHER PHILLIPS HH	4
45	300492	NUT, FLANGE M6	2
46	300471	BOLT W/WASHER M5 X 12MM	5
47	300439	BOLT W/WASHER PH M5 X 18MM	7
48	300336	BOLT HH M5 X 18MM	4
49	300438	BOLT W/WASHER M5 X 25MM	2
50	300456	BOLT M5 X 50MM	2
51	300326	GUARD, SCREW	1
52	300338	KEY, FLYWHEEL	1
53	3004103	FILTER, FUEL	1
-	300410	KIT, TUNE-UP (INCLUDES SPARK PLUG, CARB AIR FILTER, FUEL FILTER, BOTTLE OF VIPER 2-CYCLE OIL & SPARK PLUG WRENCH)	1
-	300470	FUEL LINE HOSE & FILTER	1
-	3004114	KIT, CARBURETOR REPAIR	1
-	3004118	KIT, GAS TANK (INCLUDES GAS TANK, BOTH FUEL LINES, FUEL FILTER & 2-HOLE GROMMET	1