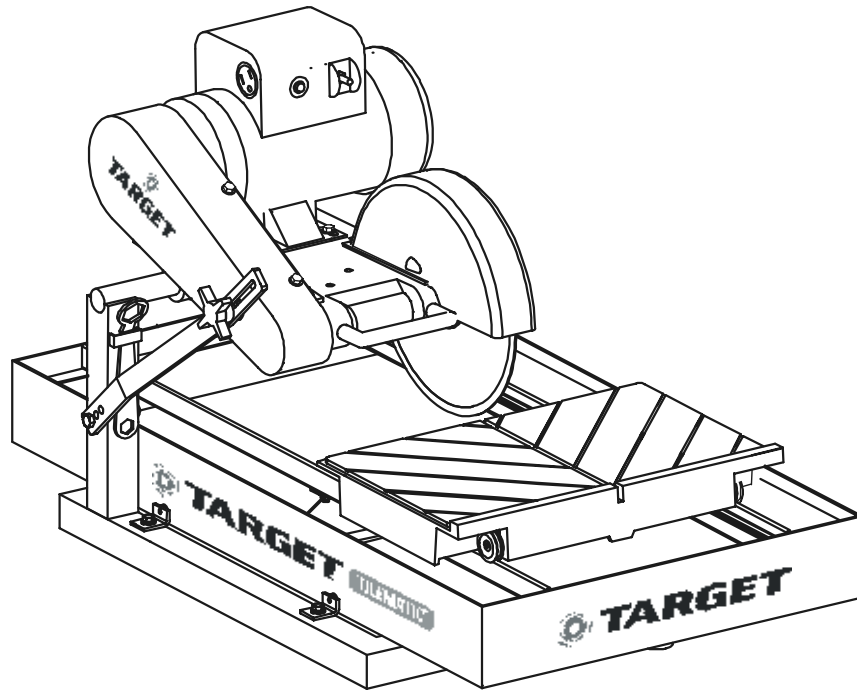


**OPERATING INSTRUCTIONS AND PARTS LIST
INSTRUCTIONS D'UTILISATION ET LISTE DE PIÈCES
INSTRUCCIONES DE OPERACIÓN Y LISTA DE PIEZAS**



TILEMATIC

MODELS: TA10100
TA10100 SS



0A7820
Copyright © October, 2001 DBInc.
Printed in U.S.A.

DECAL DESCRIPTIONS & LOCATION

SYMBOLES

DESCRIPCIÓN DE CALCAMONIAS Y UBICACIONES



P/N 187043
Location: Top of Belt Guard



P/N 189247
Location: Elec. Motor



P/N 046326
Location: Motor Assembly

GOOD MOTOR PERFORMANCE DEPENDS ON PROPER VOLTAGE. EXTENSION CORDS THAT ARE TOO LONG AND/OR SMALL REDUCE VOLTAGE TO MOTOR UNDER LOAD. USE EXTENSION CORDS NO SMALLER THAN INDICATED BELOW.

MOTOR HP	50' CORD		75' CORD		100' CORD	
	115V	230V	115V	230V	115V	230V
1	#12	#14	#10	#14	# 8	#14
1 ½	#10	#14	#10	#14	# 8	#14
2	#10	#12	# 8	#12	# 8	#12
3	# 8	#10	# 8	#10	# 8	#10
5		# 8		# 8		# 8

046327

P/N 046327
Location: Motor Assembly

DECAL DESCRIPTIONS & LOCATION
SYMBOLS
DESCRIPCIÓN DE CALCAMONIAS Y UBICACIONES



P/N 189733
Location: Both Sides of Pan



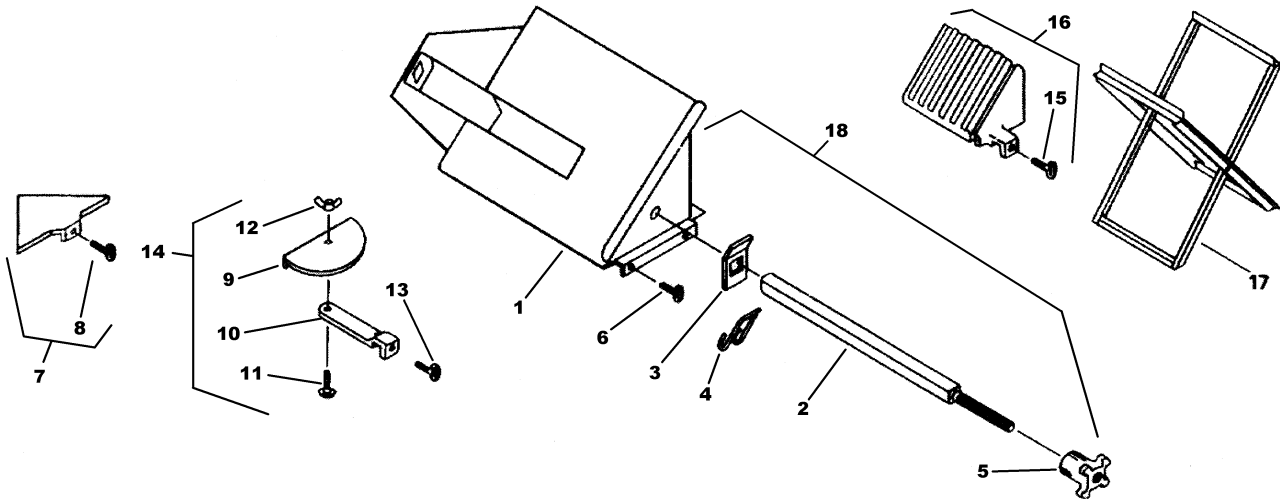
P/N 189732
Location: Front of Pan



P/N 189731
Location: Blade Guard & Belt Guard



P/N 187691
Location: Belt Guard Top



ANGLE GUIDE

PROTRACTOR

MITY MITRE GUIDE

BULLNOSE

FOLDING STAND

Parts List:

Diag.	Part No.	Qty.	Description	Diag.	Part No.	Qty.	Description
1	050104	1	Frame, Miter	10	N/A	1	Arm, Protractor
2	050107	1	Bar, Locking	11	020011	1	Carriage Bolt, 1/4"-20 x 5/8"
3	050105	1	Clip, Stop	12	020244	1	Wing Nut, 1/4"-20 x 1"
4	050106	1	Spring	13	189737	1	Knob, 1/4"-20 x 1"
5	050103	1	Knob	14	051010	1	Protractor Assy
6	189737	2	Knob, 1/4"-20 x 1"	15	020598	1	Screw, Thumb, 1/4"-20 x 1"
7	051020	1	Miter Assy, 45°	16	051030	1	Holder Assy, Bullnose
8	189737	1	Knob, 1/4"-20 x 1"	17	051041	1	Stand, Tile Saw (for TA Models only)
9	N/A	1	Sector Plate	18	050102	1	Support Assy, Miter Frame

RIP GUIDE: P/N 051000 - The Rip Guide is a standard accessory supplied with every tile saw. It is used to provide a repeatable position for rip cuts until relocated. The Rip Guide clamps to the machined backstop of the conveyor cart.

ADJUSTABLE PROTRACTOR: P/N 051010 - The Protractor can be used to rip cut known angles. The protractor clamps to the backstop.

ANGLE GUIDE : P/N 051020 - This is a non-adjustable miter used to quickly position the tile at 45 degrees; either on the left or right side. It is often used for repeated diagonal rip cuts. The Angle Guide clamps to the backstop.

BULLNOSE MITRE GUIDE: P/N 051030 -This is a fixed guide that positions the tile for a 45 degree miter cut. The Mitring Guide clamps to the backstop.

MITY MITRE GUIDE: P/N 050102 - This is a 45 degree fixture that has an adjustable clamp to hold the tile while miter cutting. The Mitring Guide clamps to the backstop.

FOLDING STAND: P/N 051041 - This stable, one piece stand brings a TARGET® tile saw to standing level for ease of work. The stand conveniently folds flat for storage and transporting.

The instructions for use and spare parts found in this document are for information only and are not binding. As part of our product quality improvement policy, we reserve the right to make any and all technical modifications without prior notice.



The manufacturer accepts no responsibility caused by unsuitable use or modifications.



DIAGRAM 1 - TILEMATIC™ MODELS: TA-10100, TA-10150

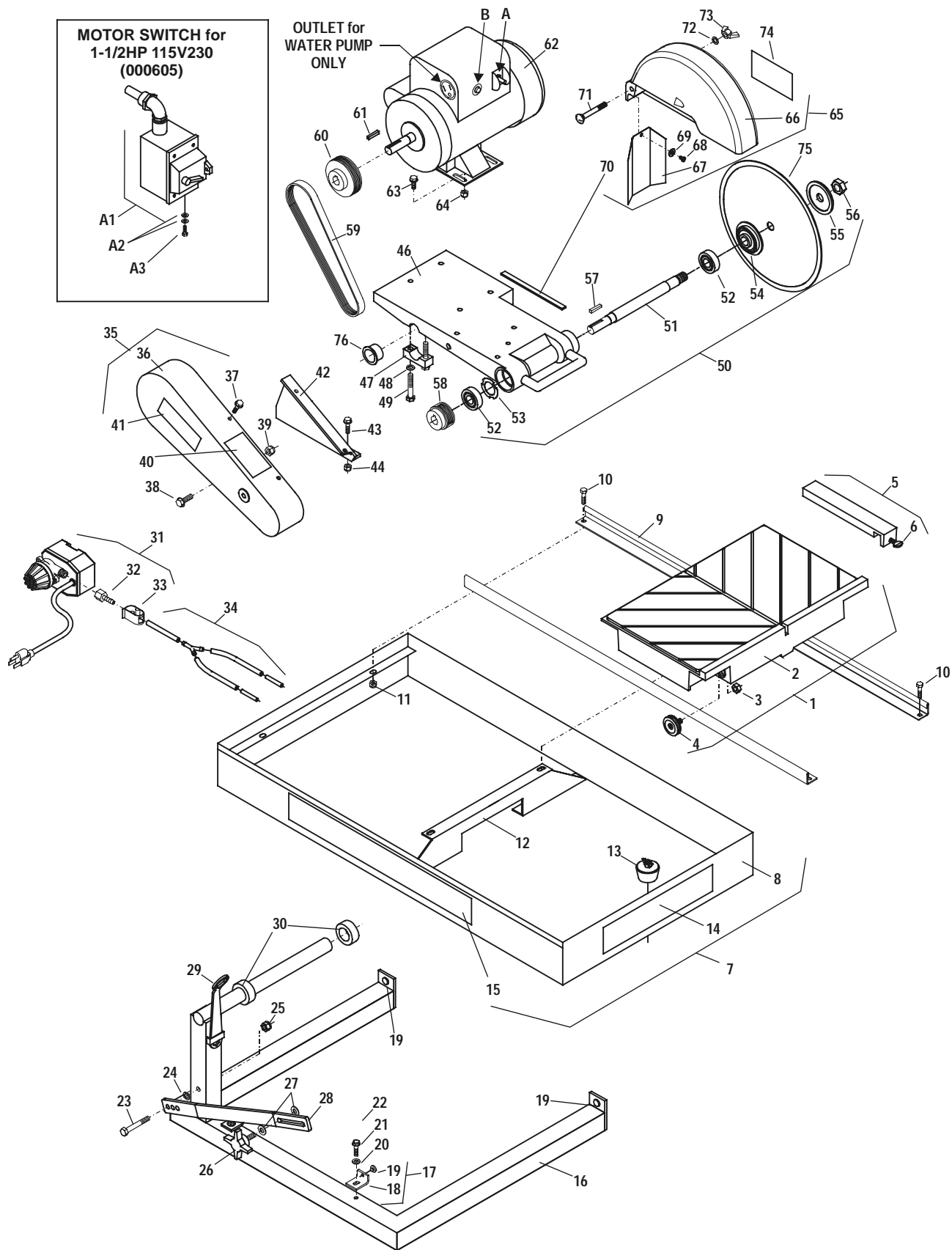
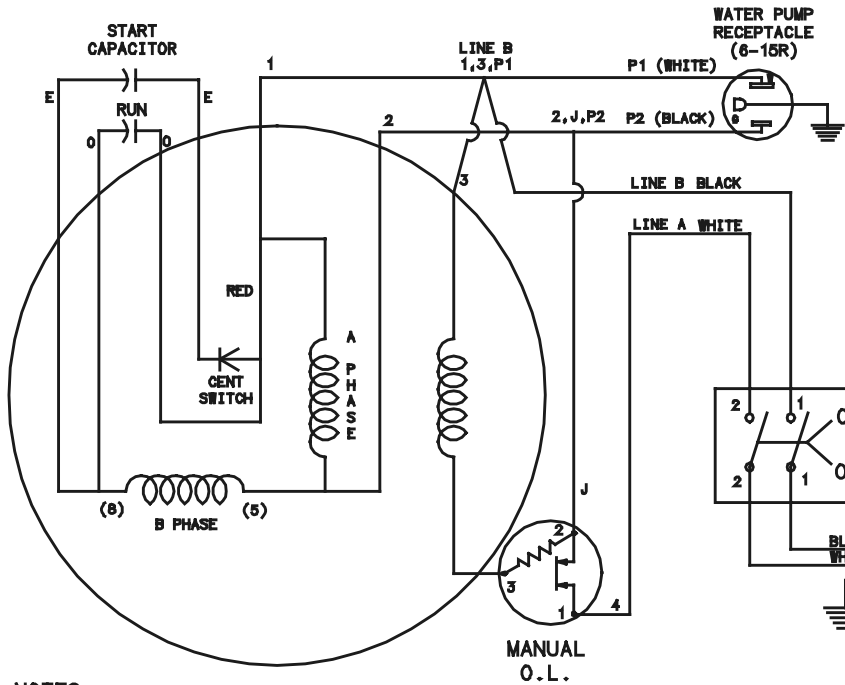


DIAGRAM 1 - PARTS LIST

DIAG LOC.	PART NO.	QTY REQ	DESCRIPTION	DIAG LOC.	PART NO.	QTY REQ	DESCRIPTION
1	169573	1	Cart Assy (Incl. Items 2-4)	--	169583	1	Cutting Head Assy (Incl. Items 46-49,51-56)
2	169576		Conveyor Cart w/ V-Top (only)	46	171032	1	Motor Base, B-Cap (only)
3	030822	4	Cart Wheel (only)	--	161730	2	Bearing Cap Assy (Incl. 47-49) (Qty 2 req'd)
4	032366	4	Nut, KEPS, 5/16"-18	47	189661	2	Cap Bearing
--	030049	1	Cart Wheels, Set/4 (Incl. items 3 - 4)	48	020785	4	Lockwasher, Split 5/16"
5	051000	1	Rip Guide (Incl. Item 7)	49	020441	4	Capscrew, Hex Hd., 5/16" - 18 x 1-3/4"
6	189737	1	T-Knob, 1/4-20 x 1"				
7	051195	1	Pan Assy, Blue (Incl. 8 - 15)	50	052004	1	Blade Shaft Assembly (Incl. Items 51-56)
**	169889	1	Pan Assy, SS (Incl. 8** - 15)	51	052006	1	Blade Shaft
8	051196	1	Pan, Blue (only)	52	071081	2	Bearing
**	169506	1	Pan, SS (only)	53	071110	1	Spring Washer
9	160965	2	Rail - Z/P	54	169522	1	Inner Collar
**	169788	2	Rail- R/L, SS	55	169523	1	Outer Collar
10	020301	6	Capscrew, Hex Head, 1/4" - 20 x 5/8"	56	020176	1	Nut, Hex Jam Thin, 5/8" - 18
**	189115	6	Capscrew, Hex Head, 1/4"-20 x 5/8" SS	57	020060	1	Key, 3/16" Sq. x 1"
11	020195	6	Locknut, Fiber, 1/4" - 20	58	68822	1	Pulley, Arbor: 6GJ1.75-.627 w/SS, (For 1-1/2HP, 115V/60/1)
**	189116	6	Locknut, Fiber, 1/4" - 20 SS				
12	051068	1	Rail Support	{58a}	161696	1	Pulley, Arbor: 2G3V2.0 - 625 w/SS, (For 1-1/2HP, 115/230V/60/1)
13	030386	1	Drain Plug				
14	052130	1	Decal, TARGET (Pan front)	{58b}	058002	1	Pulley, Arbor: 1G3V1.9 w/SS, (For 1HP, 240V/50/1)
**	187070	1	Decal: TARGET (Pan front)				
15	169282	2	Decal: TILEMATIC (Pan sides)	59	58964	1	V-Belt: Poly 280J6, (For 1-1/2HP, 115V/60/1)
**	178966	2	Decal: TILEMATIC (Pan sides)	{59a}	058020	2	V-Belt: 3VX280, (For 1-1/2HP, 115/230V/60/1)
16	051063	1	Frame Assembly (Items 17 - 22)	{59b}	047455	1	V-Belt: 3VX300, (For 1HP, 240V/50/1)
17	051064	2	Pan Stop Assembly, (Items 18 & 19)	60	172101	1	Pulley, Motor: 6GJ2.8 w/SS, (For 1.5HP, 115V/60/1)
18	051061	2	Pan Stop				
19	051065	4	Plastic Tab	{60a}	030906	1	Pulley, Motor: 2G3V2.25 w/SS, (For 1.5HP 115/230V/60/1)
20	020784	2	Lockwasher, Split, 1/4"				
21	020762	2	Washer, Flat 1/4"	{60b}	058052	1	Pulley, Motor: 1G3V3.67 w/SS, (For 1HP, 240V/50/1)
22	020489	2	Screw, Hex Hd, Self-Tapping 1/4" - 20 x 3/4"				
23	020318	1	Capscrew, Hex Hd., 5/16" - 18 x 2-1/4"	61	020060	1	Key, 3/16" Sq. x 1"
24	020742	1	Washer, Flat, 5/16"	62	169422	1	Motor: 1.5HP-HT, 1725 RPM, 115V/60/1
25	020197	1	Locknut, Fiber, 5/16" - 18	A	001501	1	Motor Switch (169422)
26	169486	1	Knob, 5/16" - 18 x 1"	B	169492	1	Manual Reset Overload (169422)
27	020742	2	Washer, Flat 5/16"	--	169493	1	Capacitor, Start (169422)
28	169527	1	Lockbar, Depth-Limiting	--	169494	1	Capacitor, Run (169422)
29	161641	1	Wrench	{62a}	000605	1	Motor: 1-1/2 HP, 3450 RPM, 115/230V/60/1
30	043260	2	Set Collar 1" Dia.	--	161581	1	Motor Switch (000605)
31	050218	1	Water Pump Assy, 115V 60 Hz (Standard)	A1	032080	1	Switch, Housing & Wiring Assy (Incl. 161581)
			G100 (Incl. Items 32-33)	A2	020741	4	Washer, Flat 1/4"
	161049	1	G100 Water Pump Repair Kit	A3	020489	2	Screw, Sheet Metal, 1/4" - 20 x 3/4"
{31}	161316	1	Water Pump Assy, 115V 60Hz (Heavy Duty)	--	030141	1	Dual Voltage Switch (000605)
			G300, (Incl. Items 32 & 33)	--	000873	1	Manual Reset Switch (000605)
{31}	050216	1	Water Pump Assy, 230V 50/60Hz	--	189117	1	Capacitor, Start (000605)
			G300, (Incl. Items 32 & 33)	{62b}	000503	1	Motor: 1 HP, 1425 RPM, 240V/50/1
	032124	1	G300 Water Pump Repair Kit		001501	1	Motor Switch (000503)
32	197237	1	Hose Barb 1/4" FPT x 1/4" OD	63	178825	4	Flange Bolt, 5/16" - 18 x 1"
33	161134	1	Valve, Flow Control	64	020197	4	Locknut, Fiber, 5/16" - 18
34	169563	1	Water Tube Assy: 1/4" Y x 32"	65	169580	1	Blade Guard Assy (Incl. 66 - 74)
35	169581	1	Belt Guard Assy (Incl. 36 - 44)	66	169532	1	Blade Guard (only)
36	051131	1	Belt Guard (only)	67	169365	1	Splash Guard
37	189661	2	Flange Bolt, 1/4" - 20 x 1/2"	68	169366	1	Screw, Self-Tapping #8 x 3/8"
38	178825	1	Flange Bolt, 5/16" - 18 x 1"	69	020739	1	Washer, Flat #10
39	020197	1	Locknut, Fiber, 5/16" - 18	70	163248	1	Rubber Sponge Strip
40	187043	1	Decal: Warning (Belt Guard - Top)	71	020126	1	Carriage Bolt, 5/16" - 18 x 2-1/2"
41	197108	1	Decal: Target (Belt Guard - Side)	72	020763	1	Washer, Flat 5/16"
**	178963	1	Decal: TARGET (Belt Guard - Side)	73	020245	1	Locknut, Wing 5/16" - 18
42	169499	1	Belt Guard Bracket	74	052146	1	Decal: Tile Saw (Blade Guard - Side)
43	178826	2	Flange Bolt, 1/4" - 20 x 3/4"	75	-----	1	Blade: 10" (254mm) - TARGET
44	020195	2	Locknut, Fiber, 1/4" - 20	76	169773	2	Bushing, Pivot (For Pivot Head Version ONLY)
45							

** These items are for TileMatic saws with SS Pan & Rails.

Diagram 2: Wiring Diagram 169422, 1.5HP-HT, 115V/60/1



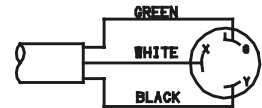
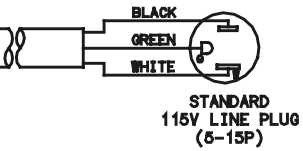
BALDOR SPEC.NO.: 35M554S728G1
 1.5 HP, 1725 RPM, T.E.F.C.
 115/208-230V, 60 Hz, 1 PHASE
 14.4/7.6-7.2 FULL LOAD AMPS
 INS. CLASS: B
 CODES: NEMA => L; KVA => J

PART NO.	SERVICE ITEMS
169492	MANUAL O.L.
001501	ON/OFF SWITCH
NONE	SWITCH, BOX & WIRING
NONE	V.C. SWITCH (INCLUDES GUARD)
169493	START CAPACITOR {324 Mfd/110V}
169494	RUN CAPACITOR {40 Mfd/370V}

NOTES:

- CONNECTIONS ARE SHOWN FOR CCW ROTATION FACING END OPPOSITE SHAFT EXTENSION. ROTATION CANNOT BE CHANGED EXTERNALLY.
- HIGH / LOW CONNECTIONS

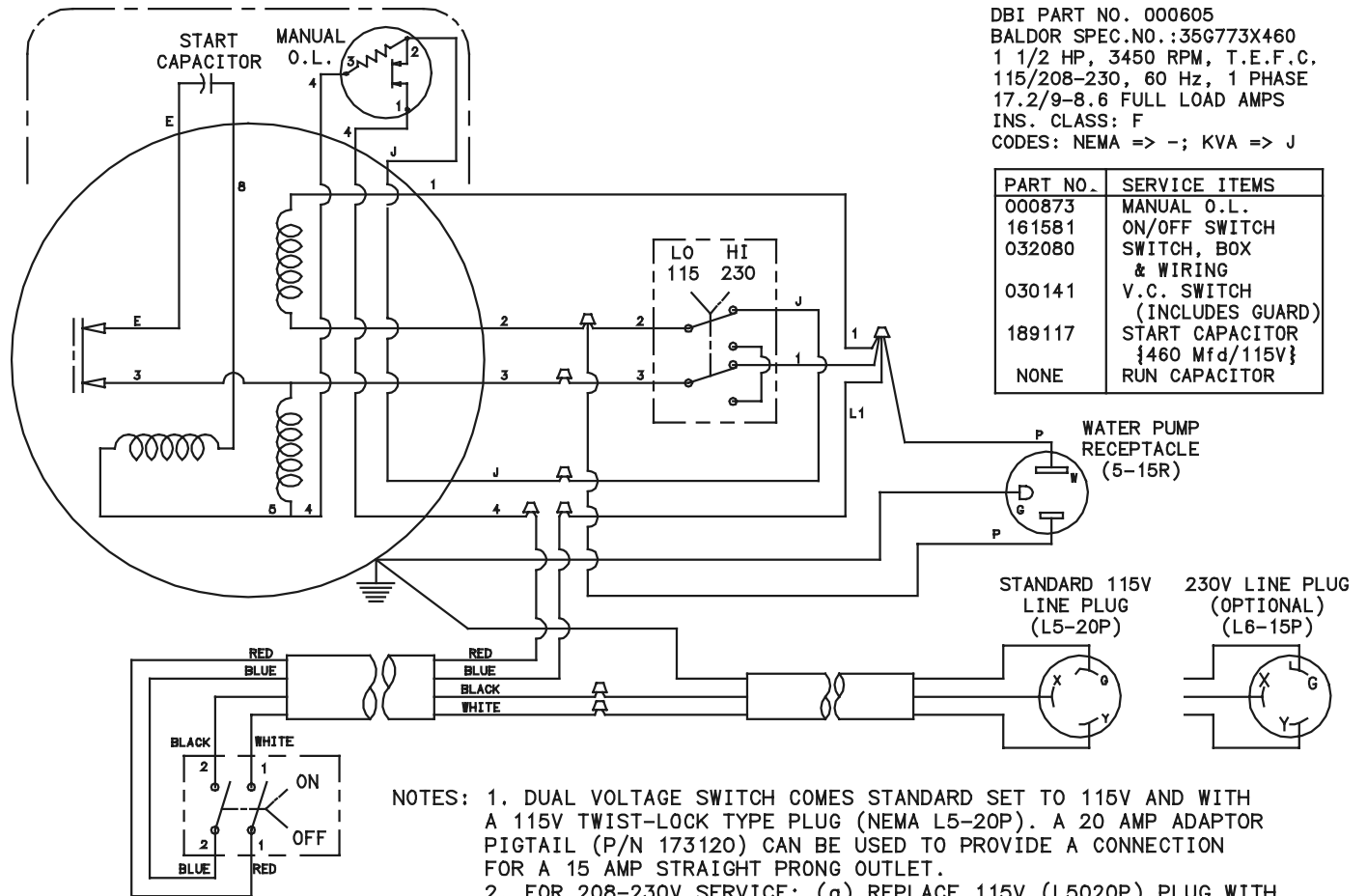
	LINE A	LINE B	JOIN	JOIN
LOW	1,3,P1	4	2,J,P2	-
HIGH	1,P1	4	2,3,P2	J



(OPTIONAL)
 230V LINE PLUG
 (L6-15P)

PART NO.	SPEC. NO.	HP	RPM	VOLT	HZ	PH	F.L.AMPS
169422	35M554S728G1	1.5	1725	115/208-230	60	1	14.4/7.6-7.2

Diagram 3: Wiring Diagram 000605, 1.5HP, 115V/208-230/60/1



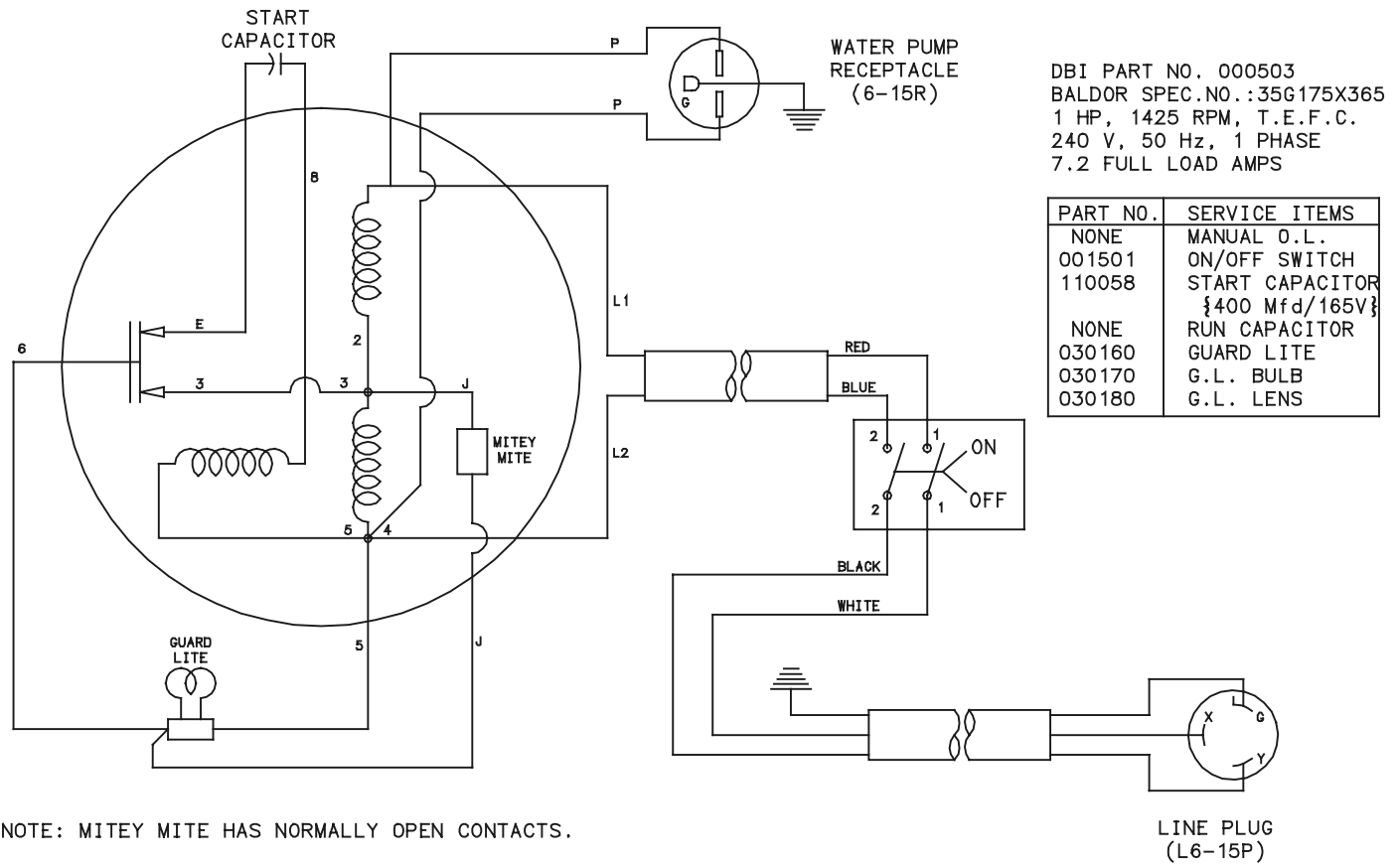
DBI PART NO. 000605
 BALDOR SPEC.NO.:35G773X460
 1 1/2 HP, 3450 RPM, T.E.F.C.
 115/208-230, 60 Hz, 1 PHASE
 17.2/9-8.6 FULL LOAD AMPS
 INS. CLASS: F
 CODES: NEMA => -; KVA => J

PART NO.	SERVICE ITEMS
000873	MANUAL O.L.
161581	ON/OFF SWITCH
032080	SWITCH, BOX & WIRING
030141	V.C. SWITCH (INCLUDES GUARD)
189117	START CAPACITOR {460 Mfd/115V}
NONE	RUN CAPACITOR

NOTES: 1. DUAL VOLTAGE SWITCH COMES STANDARD SET TO 115V AND WITH A 115V TWIST-LOCK TYPE PLUG (NEMA L5-20P). A 20 AMP ADAPTOR PIGTAIL (P/N 173120) CAN BE USED TO PROVIDE A CONNECTION FOR A 15 AMP STRAIGHT PRONG OUTLET.
 2. FOR 208-230V SERVICE: (a) REPLACE 115V (L5020P) PLUG WITH 230V (6-15P) PLUG, AND (b) SET THE DUAL VOLTAGE SWITCH TO 230V.

PART NO.	SPEC.NO.	HP	RPM	VOLT	HZ	PH	F.L.AMPS
000605 (161702)	35G773X460	1.5	3450	115/208-230	60	1	17.2/9-8.6

Diagram 4: Wiring Diagram 000503, 1 HP, 240/50/1



PART NO.	SPEC. NO.	HP	RPM	VOLT	HZ	PH	F.L. AMPS
000503 (050279)	35G175X365	1	1425	240	50	1	7.2