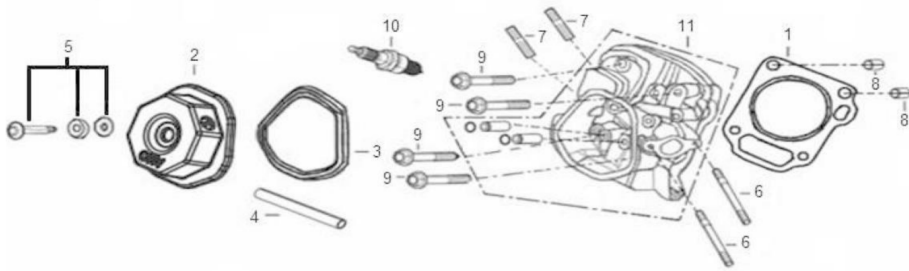




Mi-T-M Corporation / Engines / 1-0198 / 1-0198 / 1-0198 (sn:0-99999999)

## Cylinder Head Subassembly

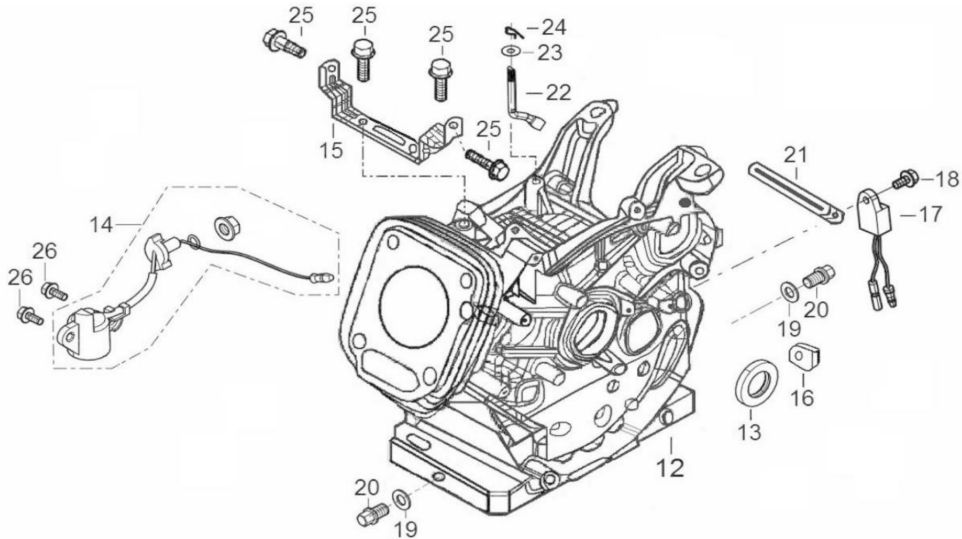


| Id | Item #  | Description                           | Quantity | Rev | Comments |
|----|---------|---------------------------------------|----------|-----|----------|
| 1  | 45-0345 | GASKET, CYLINDER HEAD                 | 1        |     |          |
| 2  | 45-0252 | COVER SUBASSEMBLY, CYLINDER HEAD      | 1        |     |          |
| 3  | 45-0240 | GASKET, CYLINDER HEAD COVER           | 1        |     |          |
| 4  | 45-0369 | TUBE, BREATHER                        | 1        |     |          |
| 5  | 45-0241 | BOLT SUBASSEMBLY, CYLINDER HEAD COVER | 1        |     |          |
| 6  | 45-0382 | STUD                                  | 2        |     |          |
| 7  | 45-0383 | STUD                                  | 2        |     |          |
| 8  | 45-0330 | PIN                                   | 2        |     |          |
| 9  | 45-0239 | BOLT, CYLINDER HEAD                   | 4        |     |          |
| 10 | 45-0310 | PLUG, SPARK                           | 1        |     |          |
| 11 | 45-0346 | HEAD SUBASSEMBLY, CYLINDER            | 1        |     |          |



Mi-T-M Corporation / Engines / 1-0198 / 1-0198 / 1-0198 (sn:0-99999999)

## Crankcase/governor gear Assembly

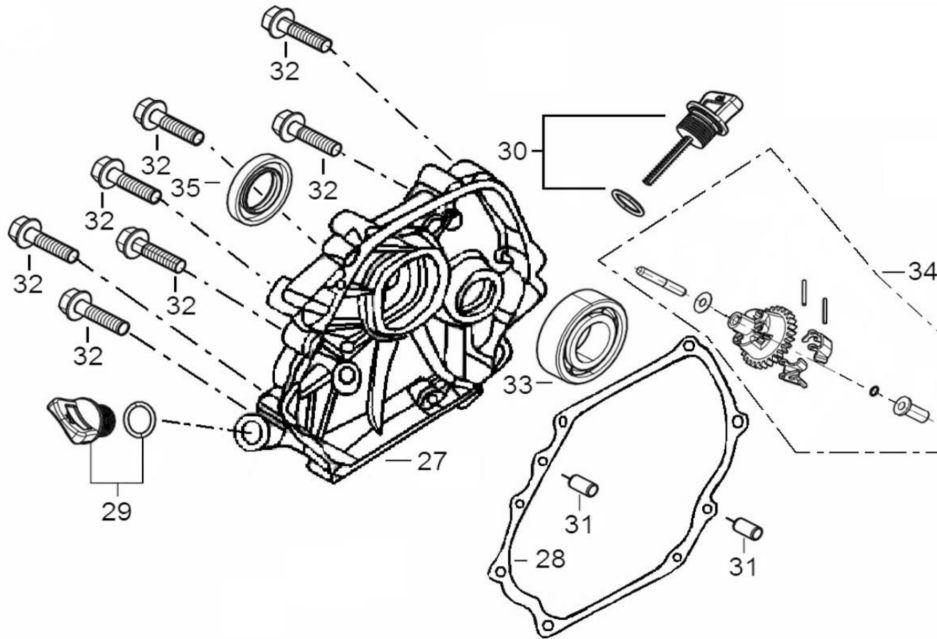


| Id | Item #  | Description                   | Quantity | Rev | Comments |
|----|---------|-------------------------------|----------|-----|----------|
| 12 | 45-0341 | CRANKCASE SUBASSEMBLY         | 1        |     |          |
| 13 | 45-0385 | SEAL, OIL                     | 1        |     |          |
| 14 | 45-0314 | SENSOR, ENGINE OIL            | 1        |     |          |
| 15 | 45-0286 | FRAME, FUEL TANK INSTALLATION | 2        |     |          |
| 16 | 45-0306 | PLUG, RUBBER                  | 2        |     |          |
| 17 | 45-0313 | PROTECTOR, OIL                | 1        |     |          |
| 18 | 45-0315 | BOLT                          | 1        |     |          |
| 19 | 45-0326 | WASHER                        | 2        |     |          |
| 20 | 45-0236 | BOLT, DRAIN PLUG              | 2        |     |          |
| 21 | 45-0335 | CLIP                          | 1        |     |          |
| 22 | 45-0360 | ARM, GOVERNOR                 | 1        |     |          |
| 23 | 45-0327 | WASHER                        | 1        |     |          |
| 24 | 45-0328 | PIN                           | 1        |     |          |
| 25 | 45-0320 | BOLT                          | 4        |     |          |
| 26 | 45-0316 | BOLT                          | 2        |     |          |



Mi-T-M Corporation / Engines / 1-0198 / 1-0198 / 1-0198 (sn:0-99999999)

## Crankcase Cover Subassembly

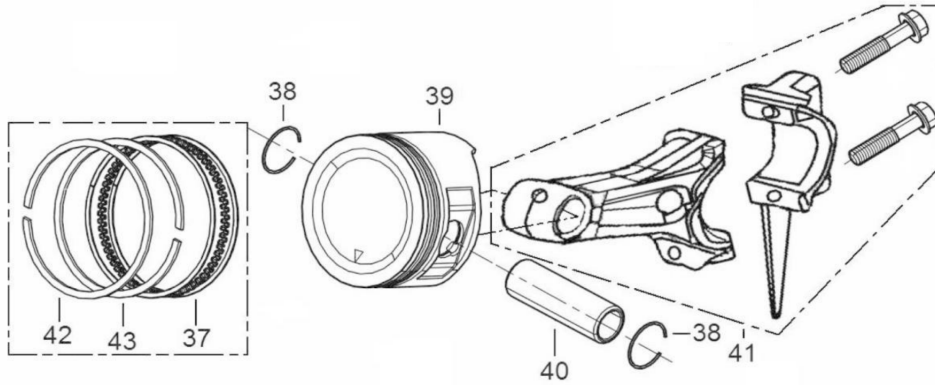


| Id | Item #  | Description                  | Quantity | Rev | Comments |
|----|---------|------------------------------|----------|-----|----------|
| 27 | 45-0342 | COVER, CRANKCASE             | 1        |     |          |
| 28 | 45-0340 | GASKET, CRANKCASE            | 1        |     |          |
| 29 | 45-0273 | PLUG SUBASSEMBLY, ENGINE OIL | 1        |     |          |
| 30 | 45-0272 | DIPSTICK SUBASSEMBLY, OIL    | 1        |     |          |
| 31 | 45-0329 | PIN                          | 2        |     |          |
| 32 | 45-0389 | BOLT                         | 7        |     |          |
| 33 | 45-0384 | BEARING                      | 1        |     |          |
| 34 | 45-0365 | GEAR ASSY, GOVERNOR          | 1        |     |          |
| 35 | 45-0385 | SEAL, OIL                    | 1        |     |          |



Mi-T-M Corporation / Engines / 1-0198 / 1-0198 / 1-0198 (sn:0-99999999)

## Piston Subassembly

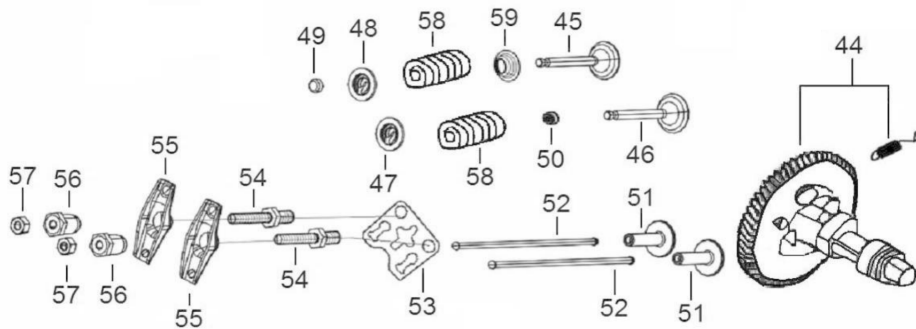


| Id | Item #  | Description      | Quantity | Rev | Comments |
|----|---------|------------------|----------|-----|----------|
| 37 | 45-0353 | RING SET, OIL    | 1        |     |          |
| 38 | 45-0350 | CLIP, PISTON PIN | 2        |     |          |
| 39 | 45-0348 | PISTON           | 1        |     |          |
| 40 | 45-0349 | PIN, PISTON      | 1        |     |          |
| 41 | 45-0347 | ROD, CONNECTING  | 1        |     |          |
| 42 | 45-0351 | RING, THE FIRST  | 1        |     |          |
| 43 | 45-0352 | RING, THE SECOND | 1        |     |          |



Mi-T-M Corporation / Engines / 1-0198 / 1-0198 / 1-0198 (sn:0-99999999)

## Valve Train//Camshaft Subassembly

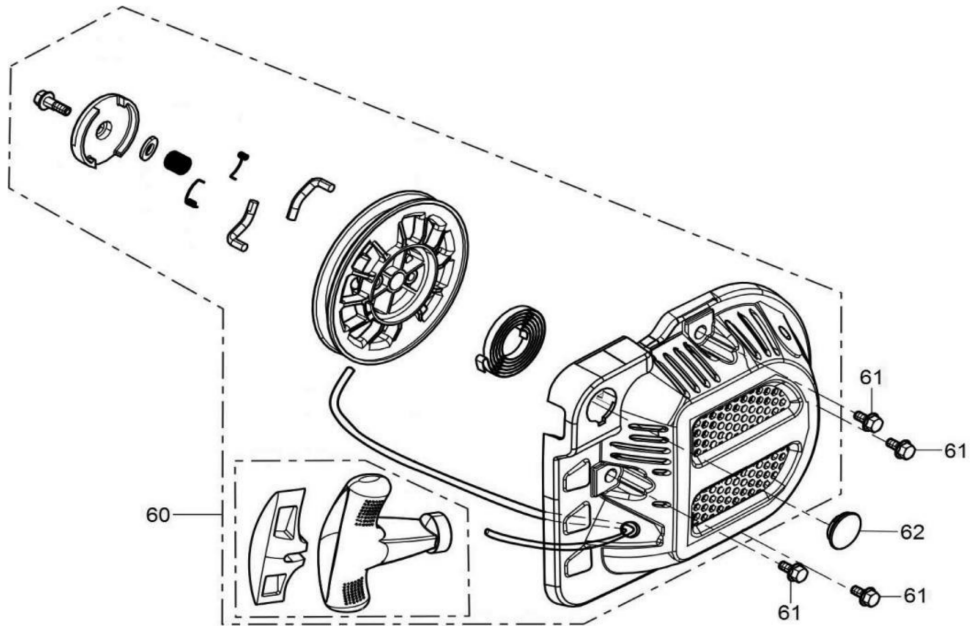


| Id | Item #  | Description                       | Quantity | Rev | Comments |
|----|---------|-----------------------------------|----------|-----|----------|
| 44 | 45-0357 | CAMSHAFT ASSY                     | 1        |     |          |
| 45 | 45-0344 | VALVE, EXHAUST                    | 1        |     |          |
| 46 | 45-0343 | VALVE, INTAKE                     | 1        |     |          |
| 47 | 45-0248 | SEAT, VALVE SPRING                | 1        |     |          |
| 48 | 45-0246 | RETAINER, EXHAUST VALVE           | 1        |     |          |
| 49 | 45-0244 | ROTATOR, VALVE                    | 1        |     |          |
| 50 | 45-0242 | GUIDE, SEAL                       | 1        |     |          |
| 51 | 45-0265 | TAPPET, VALVE                     | 2        |     |          |
| 52 | 45-0356 | LIFTER SUBASSEMBLY, VALVE         | 2        |     |          |
| 53 | 45-0266 | PLACE SUBASSEMBLY, LIFTER STOPPER | 1        |     |          |
| 54 | 45-0270 | BOLT, VALVE ADJUSTING             | 2        |     |          |
| 55 | 45-0268 | ROCKER, VALVE                     | 2        |     |          |
| 56 | 45-0271 | NUT, VALVE ADJUSTING              | 2        |     |          |
| 57 | 45-0269 | NUT, VALVE LOCK                   | 2        |     |          |
| 58 | 45-0243 | SPRING, VALVE                     | 2        |     |          |
| 59 | 45-0245 | RETAINER, VALVE SPRING            | 1        |     |          |



Mi-T-M Corporation / Engines / 1-0198 / 1-0198 / 1-0198 (sn:0-99999999)

## Recoil Starter

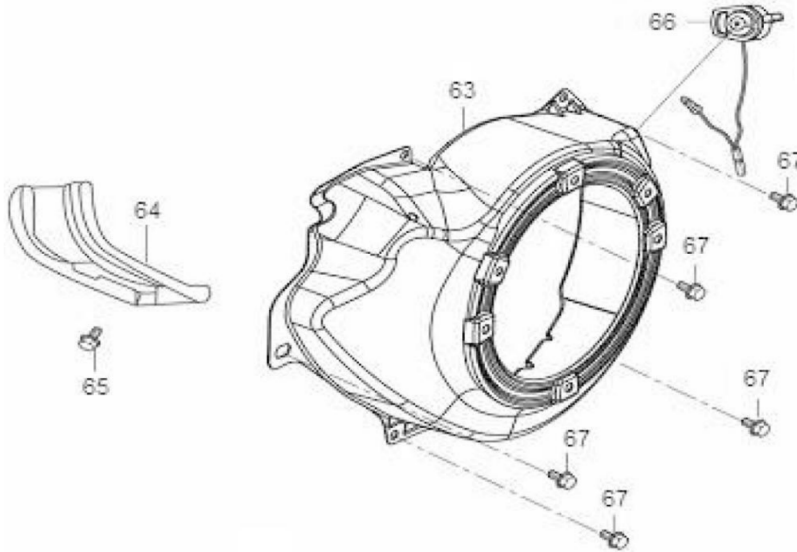


| Id | Item #  | Description                  | Quantity | Rev | Comments |
|----|---------|------------------------------|----------|-----|----------|
| 60 | 45-0379 | STARTER ASSY, RECOIL         | 1        |     |          |
| 61 | 45-0315 | BOLT                         | 4        |     |          |
| 62 | 45-0307 | CAP, RECOIL STARTER REEL END | 1        |     |          |



Mi-T-M Corporation / Engines / 1-0198 / 1-0198 / 1-0198 (sn:0-99999999)

## Shrouds

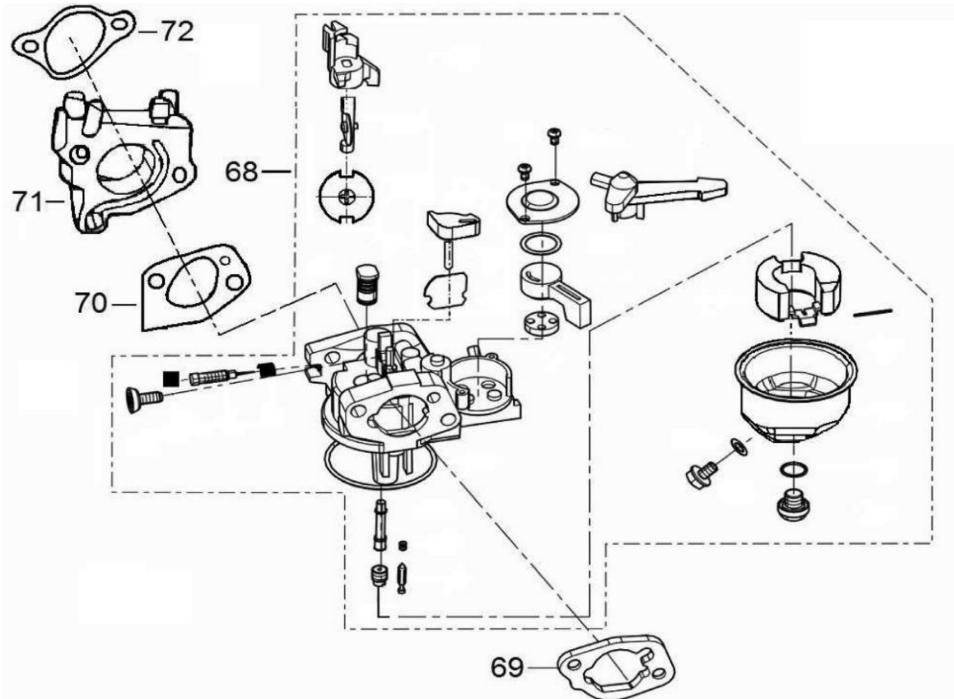


| Id | Item #  | Description                     | Quantity | Rev | Comments |
|----|---------|---------------------------------|----------|-----|----------|
| 63 | 45-0378 | SHROUD                          | 1        |     |          |
| 64 | 45-0375 | SHROUD, CYLINDER BODY           | 1        |     |          |
| 65 | 45-0315 | BOLT                            | 1        |     |          |
| 66 | 45-0312 | SWITCH SUBASSEMBLY, STOP ENGINE | 1        |     |          |
| 67 | 45-0315 | BOLT                            | 5        |     |          |



Mi-T-M Corporation / Engines / 1-0198 / 1-0198 / 1-0198 (sn:0-99999999)

## Carburetor Assembly

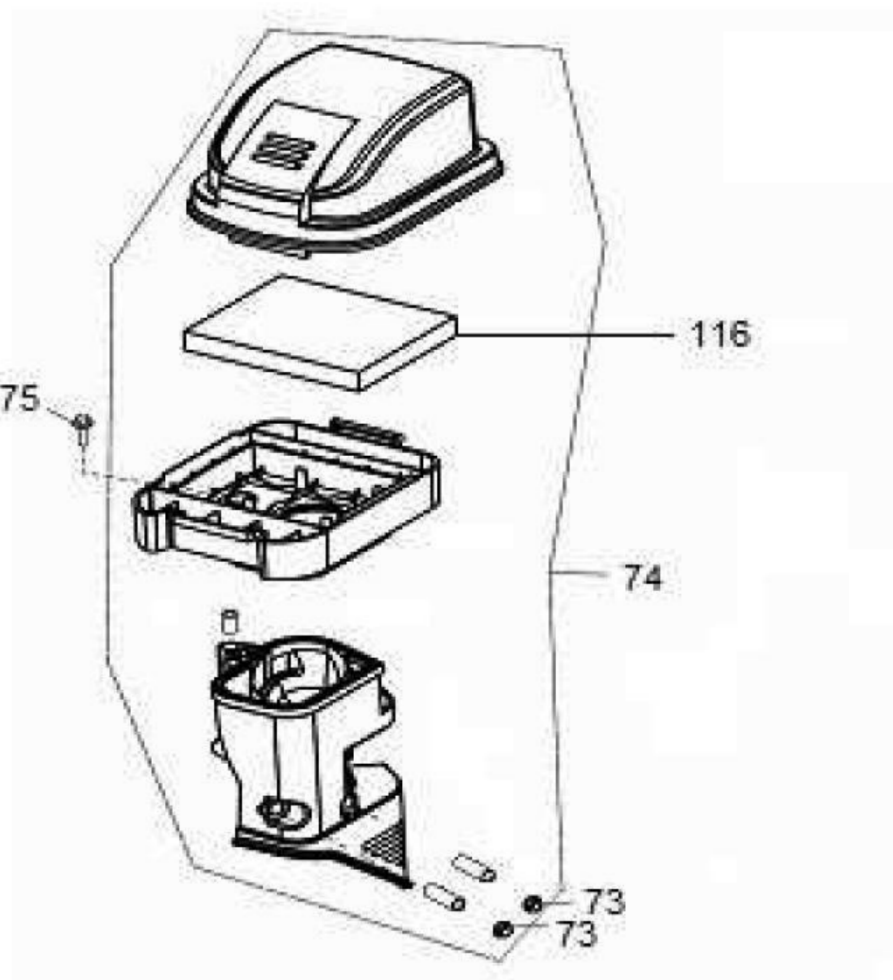


| Id | Item #  | Description                 | Quantity | Rev | Comments |
|----|---------|-----------------------------|----------|-----|----------|
| 68 | 45-0364 | CARBURETOR ASSY             | 1        |     |          |
| 69 | 45-0295 | GASKET, AIR CLEANER         | 1        |     |          |
| 70 | 45-0358 | GASKET, CARBURETOR          | 1        |     |          |
| 71 | 45-0359 | PLATE, CARBURETOR INSULATOR | 1        |     |          |
| 72 | 45-0368 | GASKET, INLET               | 1        |     |          |



Mi-T-M Corporation / Engines / 1-0198 / 1-0198 / 1-0198 (sn:0-99999999)

## Air Cleaner

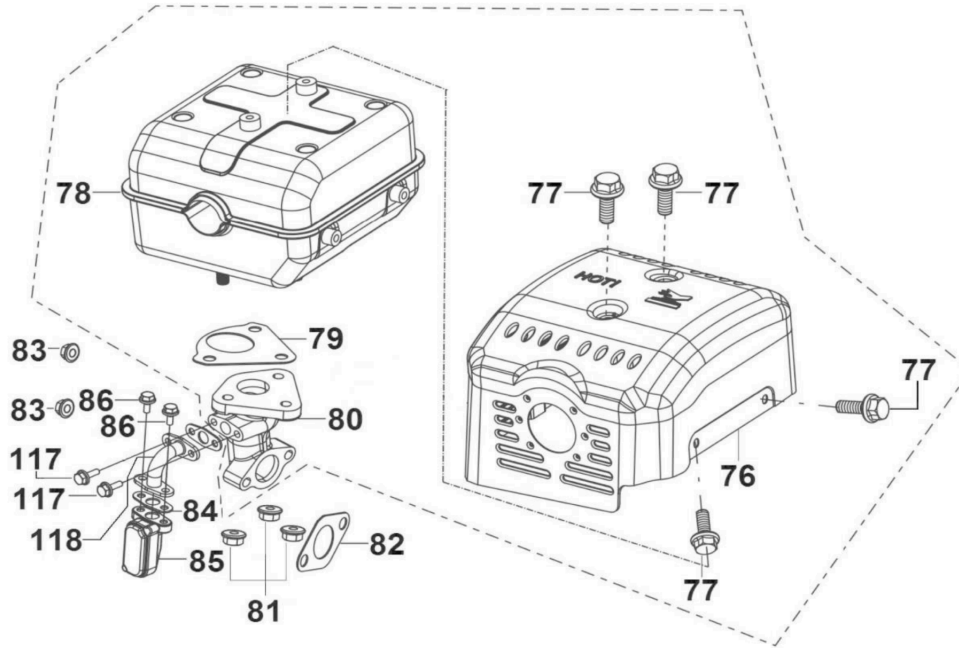


| Id  | Item #  | Description          | Quantity | Rev | Comments |
|-----|---------|----------------------|----------|-----|----------|
| 73  | 45-0324 | NUT                  | 2        |     |          |
| 74  | 45-0370 | CLEANER, AIR         | 1        |     |          |
| 75  | 45-0317 | BOLT                 | 1        |     |          |
| 116 | 45-0387 | ELEMENT, AIR CLEANER | 1        |     |          |



Mi-T-M Corporation / Engines / 1-0198 / 1-0198 / 1-0198 (sn:0-99999999)

## Muffler Assembly

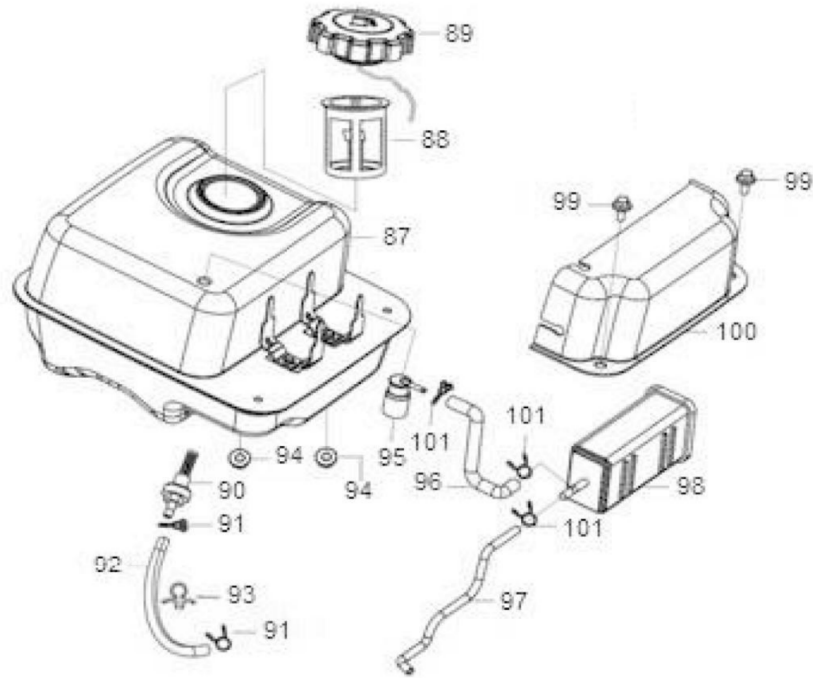


| Id  | Item #  | Description                         | Quantity | Rev | Comments |
|-----|---------|-------------------------------------|----------|-----|----------|
| 76  | 45-0372 | COVER, MUFFLER OUTER                | 1        |     |          |
| 77  | 45-0381 | BOLT                                | 4        |     |          |
| 78  | 45-0374 | MUFFLER BODY                        | 1        |     |          |
| 79  | 45-0371 | GASKET, MUFFLER                     | 1        |     |          |
| 80  | 45-0373 | PIPE, EXHAUST                       | 1        |     |          |
| 81  | 45-0325 | NUT                                 | 3        |     |          |
| 82  | 45-0301 | GASKET, EXHAUST OUTLET              | 1        |     |          |
| 83  | 45-0325 | NUT                                 | 2        |     |          |
| 84  | 45-0300 | GASKET, THE SECOND AIR INTAKE VALVE | 1        |     |          |
| 85  | 45-0299 | VALVE, THE SECOND AIR INTAKE        | 1        |     |          |
| 86  | 45-0317 | BOLT                                | 2        |     |          |
| 117 | 45-0315 | BOLT                                | 2        |     |          |
| 118 | 45-0367 | TUBE, THE SECOND AIR INTAKE         | 1        |     |          |



Mi-T-M Corporation / Engines / 1-0198 / 1-0198 / 1-0198 (sn:0-99999999)

## Fuel Tank Assembly



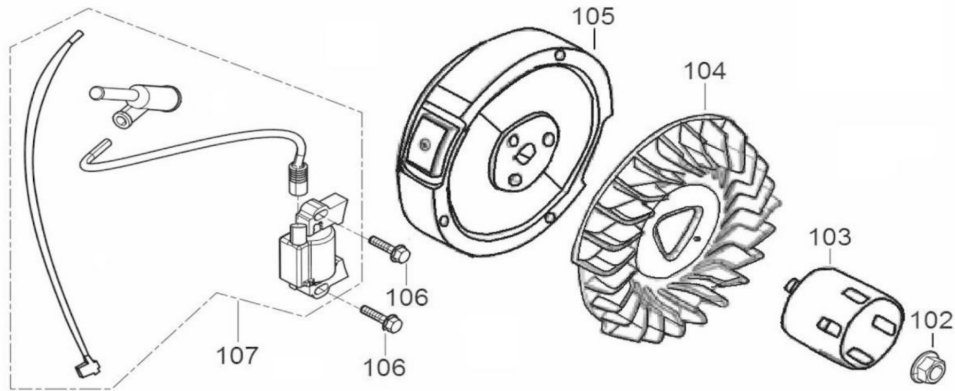
| Id  | Item #  | Description                             | Quantity | Rev | Comments |
|-----|---------|---|----------|-----|----------|
| 87  | 45-0287 | TANK, FUEL                              | 1        |     |          |
| 88  | 45-0288 | STRAINER, FUEL                          | 1        |     |          |
| 89  | 45-0290 | COVER, FUEL TANK                        | 1        |     |          |
| 90  | 45-0289 | OUTLET SUBASSEMBLY, FUEL TANK OIL       | 1        |     |          |
| 91  | 45-0337 | COLLAR                                  | 2        |     |          |
| 92  | 45-0386 | TUBE, FUEL                              | 1        |     |          |
| 93  | 45-0336 | CLIP                                    | 1        |     |          |
| 94  | 45-0325 | NUT                                     | 2        |     |          |
| 95  | 45-0446 | 3/8" ROLLOVER VALVE (SEE ALSO ITEM 116) | 1        |     |          |
| 96  | 45-0293 | HOSE, FUEL STEAM RUBBER                 | 1        |     |          |
| 97  | 45-0294 | HOSE, AIR CLEANER RUBBER                | 1        |     |          |
| 98  | 45-0291 | COLLECTOR, FUEL STEAM                   | 1        |     |          |
| 99  | 45-0315 | BOLT                                    | 2        |     |          |
| 100 | 45-0292 | COVER, FUEL STEAM COLLECTOR             | 1        |     |          |

| <b>Id</b> | <b>Item #</b> | <b>Description</b>      | <b>Quantity</b> | <b>Rev</b> | <b>Comments</b> |
|-----------|---------------|-------------------------|-----------------|------------|-----------------|
| 101       | 45-0338       | COLLAR                  | 3               |            |                 |
| 116       | 45-0448       | 3/8" ROV RUBBER GROMMET | 1               |            |                 |



Mi-T-M Corporation / Engines / 1-0198 / 1-0198 / 1-0198 (sn:0-99999999)

## Flywheel//Impeller/Starter Pulley/Ignition Coil

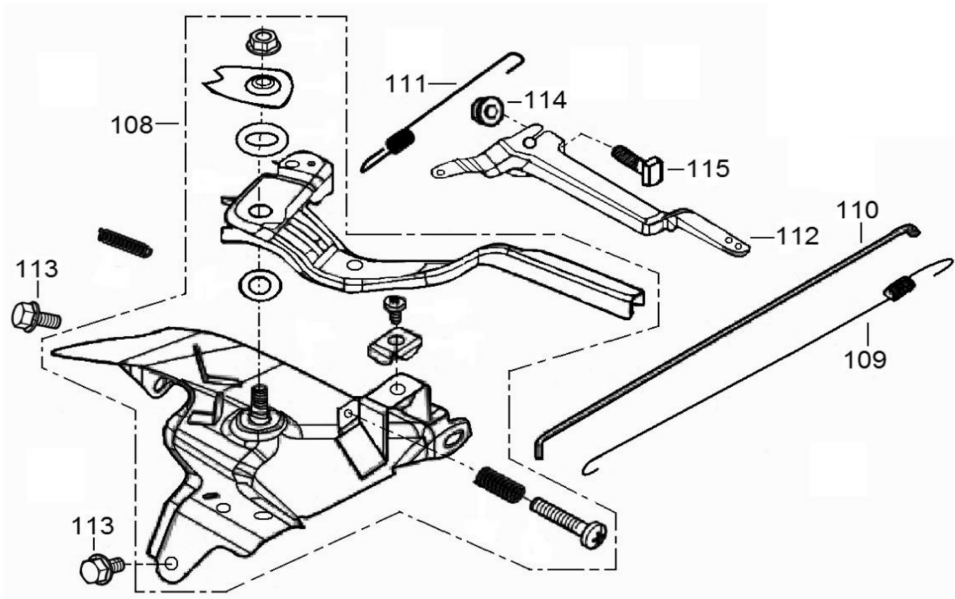


| Id  | Item #  | Description          | Quantity | Rev | Comments |
|-----|---------|----------------------|----------|-----|----------|
| 102 | 45-0262 | NUT, FLYWHEEL        | 1        |     |          |
| 103 | 45-0377 | PULLEY, STARTER      | 1        |     |          |
| 104 | 45-0376 | IMPELLER             | 1        |     |          |
| 105 | 45-0355 | FLYWHEEL SUBASSEMBLY | 1        |     |          |
| 106 | 45-0318 | BOLT                 | 2        |     |          |
| 107 | 45-0380 | COIL, IGNITION       | 1        |     |          |



Mi-T-M Corporation / Engines / 1-0198 / 1-0198 / 1-0198 (sn:0-99999999)

## Throttle Control Assembly



| Id  | Item #  | Description                      | Quantity | Rev | Comments |
|-----|---------|----------------------------------|----------|-----|----------|
| 108 | 45-0366 | CONTROL ASSY, THROTTLE           | 1        |     |          |
| 109 | 45-0277 | SPRING, THROTTLE VALVE RETURNING | 1        |     |          |
| 110 | 45-0361 | ROD, GOVERNOR                    | 1        |     |          |
| 111 | 45-0362 | SPRING, GOVERNOR                 | 1        |     |          |
| 112 | 45-0363 | SUPPORT SUBASSEMBLY, GOVERNOR    | 1        |     |          |
| 113 | 45-0315 | BOLT                             | 2        |     |          |
| 114 | 45-0324 | NUT                              | 1        |     |          |
| 115 | 45-0282 | BOLT, GOVERNOR SUPPORT           | 1        |     |          |