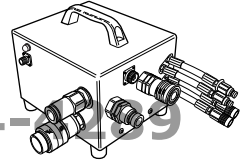


DIMAS



ConstructionParts.com 888-634-4289

IPL, DIMAS RC 455, 2005-44, 531 14 21-34

DIMAS RC 455

Reservdelar

Spare parts

Ersatzteile

Pieces de rechange

Piezas de repuesto

Ricambi

**Peças
sobresselente**

ConstructionParts.com

ConstructionParts.com
From machine number: 4001

888-634-4289

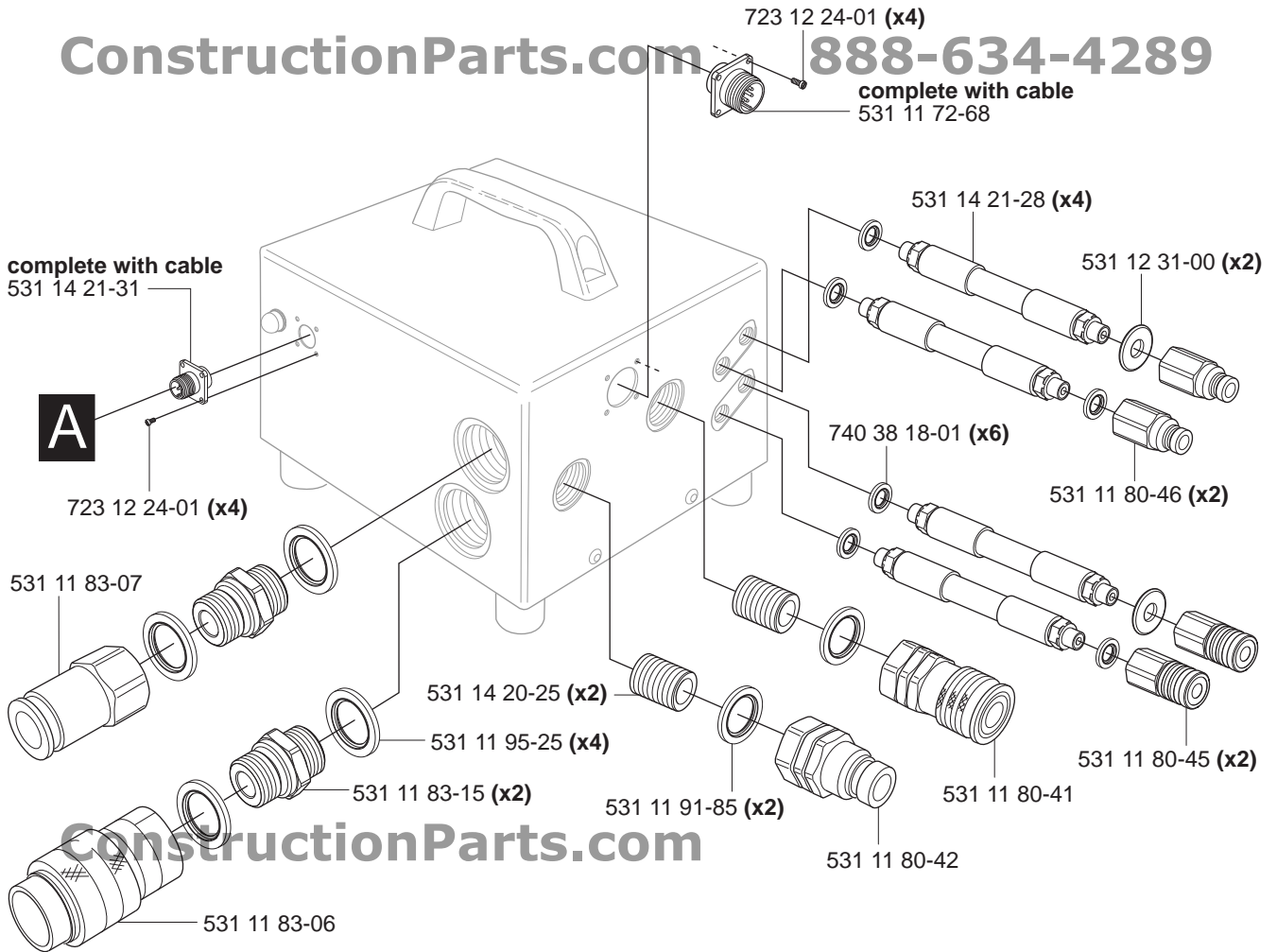
531 14 21-34

DIMAS

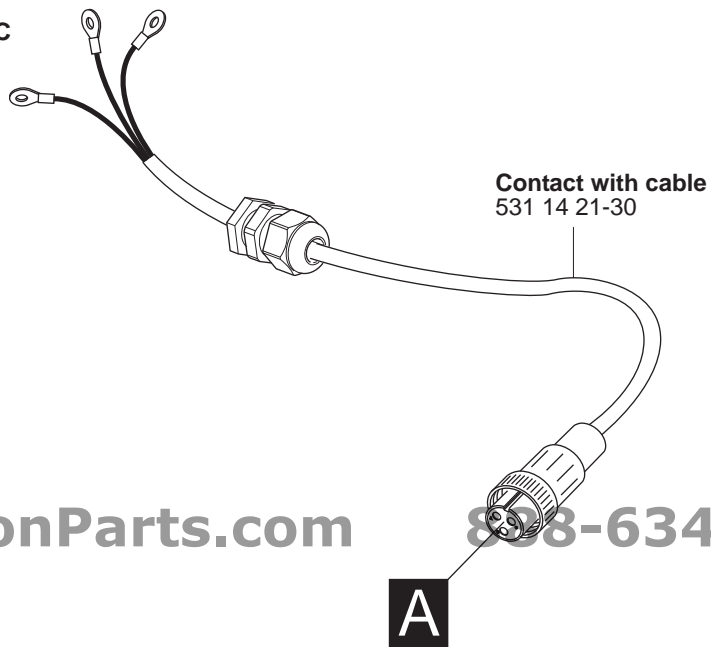
No.	Pos.	Description	No.	Pos.	Description
531 11 30-37	D	Water hose with valve	740 38 27-01	D	Sealing ring 1/4"
531 11 50-12	C	Can bus cabel 6m	740 38 34-01	D	Sealing ring 3/8"
531 11 51-08	C	Remote control complete	740 42 17-00	C	O-ring 19,1x1,6
531 11 51-83	C	Potentiometer knob compl.	<div style="text-align: center;">  </div>		
531 11 70-34	C	Cannon connection			
531 11 70-67	C	Connection block			
531 11 70-96	C	Potentiometer			
531 11 71-43	C	Button			
531 11 71-59	C	Gasket			
531 11 72-30	B	Main board			
531 11 72-31	C	Control Board			
531 11 72-40	C	Gasket			
531 11 72-68	A	Connection 6-pin with cable			
531 11 73-77	B	Fuse 5A			
531 11 73-78	B	Cover for fuse			
531 11 80-03	D	Quick coupling 1800 UV			
531 11 80-05	D	Nipple TEMA 1812			
531 11 80-06	D	Nipple TEMA 18210			
531 11 80-18	D	Ball valve 1/8"			
531 11 80-41	A	Quick coupling female 1/2"			
531 11 80-42	A	Quick coupling male 1/2"			
531 11 80-45	A	Quick coupling female 1/8"			
531 11 80-46	A	Quick coupling male 1/8"			
531 11 81-37	B	Pressure transducer			
531 11 81-92	D	Water hose			
531 11 82-19	D	Quick coupling TEMA 1300 UV			
531 11 83-06	A	Quick coupling female 3/4"			
531 11 83-07	A	Quick coupling male 3/4"			
531 11 83-15	A	Adapter 3/4"			
531 11 83-27	B	Valveblock			
531 11 83-28	B	Flow control valve			
531 11 83-29	B	Pressure relief valve main			
531 11 83-30	B	Pressure relief valve feed			
531 11 83-31	B	Prop. flow control valve main			
531 11 83-32	B	Prop. flow control valve feed			
531 11 83-33	B	Directional valve			
531 11 90-14	D	Hose clamp			
531 11 91-26	C	Strap			
531 11 91-85	A	Sealing ring 1/2"			
531 11 92-10	B	Screw M6S 6x12			
531 11 93-48	B	Washer 22x6x1,5			
531 11 93-85	B	Distance			
531 11 94-13	B	Handle			
531 11 94-26	B	Screw K6S 6x16			
531 11 95-22	B	Cover			
531 11 95-25	A	Sealing ring 3/4"			
531 11 95-67	B	Damper			
531 12 15-22	D	Machine plate			
531 12 31-00	A	Marking washer red			
531 14 20-11	C	Control panel			
531 14 20-13	C	Potentiometer nut			
531 14 20-25	A	Nipple 1/2"			
531 14 20-27	B	Cover			
531 14 20-51	C	Display decal			
531 14 20-62	C	Remote control			
531 14 21-04	D	Decal DIMAS			
531 14 21-27	D	Sign trashcan			
531 14 21-28	A	Hose 1/8"			
531 14 21-29	D	Decal 12V DC			
531 14 21-30	A	Contact 3-pin with cable			
531 14 21-31	A	Connection 3-pin with cable			
723 12 24-01	AC	Screw MCS 3x10	<div style="text-align: center;">  </div>		
723 52 22-01	C	Screw MFS 3x8			
725 52 20-01	B	Screw MC6S 3x6			
725 62 89-01	B	Screw MF6S 4x10			
731 23 10-01	C	Nut M3			
731 23 18-01	B	Nut M8			
732 25 16-01	B	Nut M6 nylock			
734 11 63-01	B	Washer 8,4x16x1,6			
740 38 18-01	A	Sealing ring 1/8"			

A DIMAS RC 455 "SMARTBOX"

ConstructionParts.com 888-634-4289



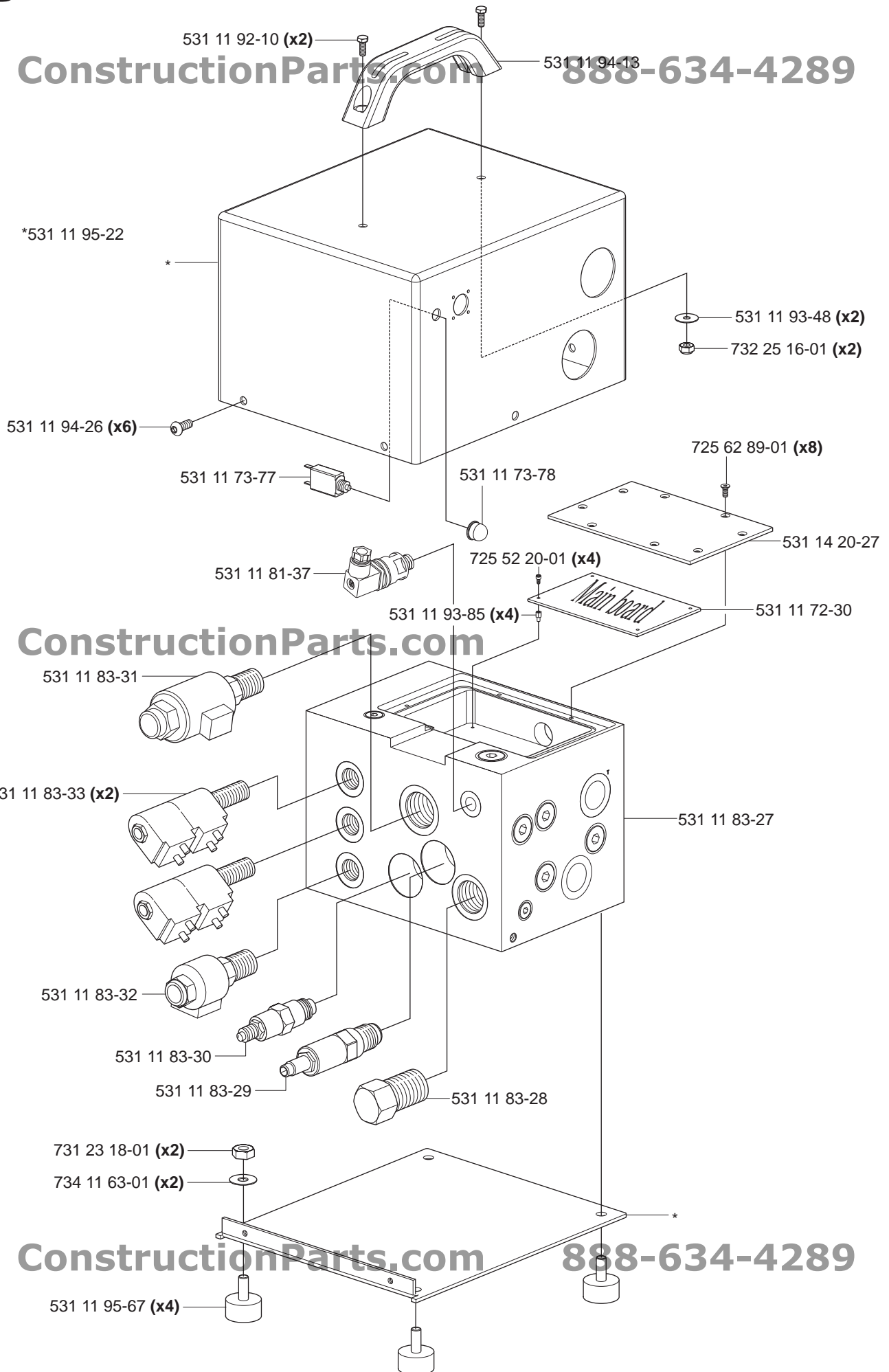
NOTE!
ONLY 12 VDC



ConstructionParts.com 888-634-4289

B DIMAS RC 455 "SMARTBOX"

ConstructionParts.com 888-634-4289



ConstructionParts.com

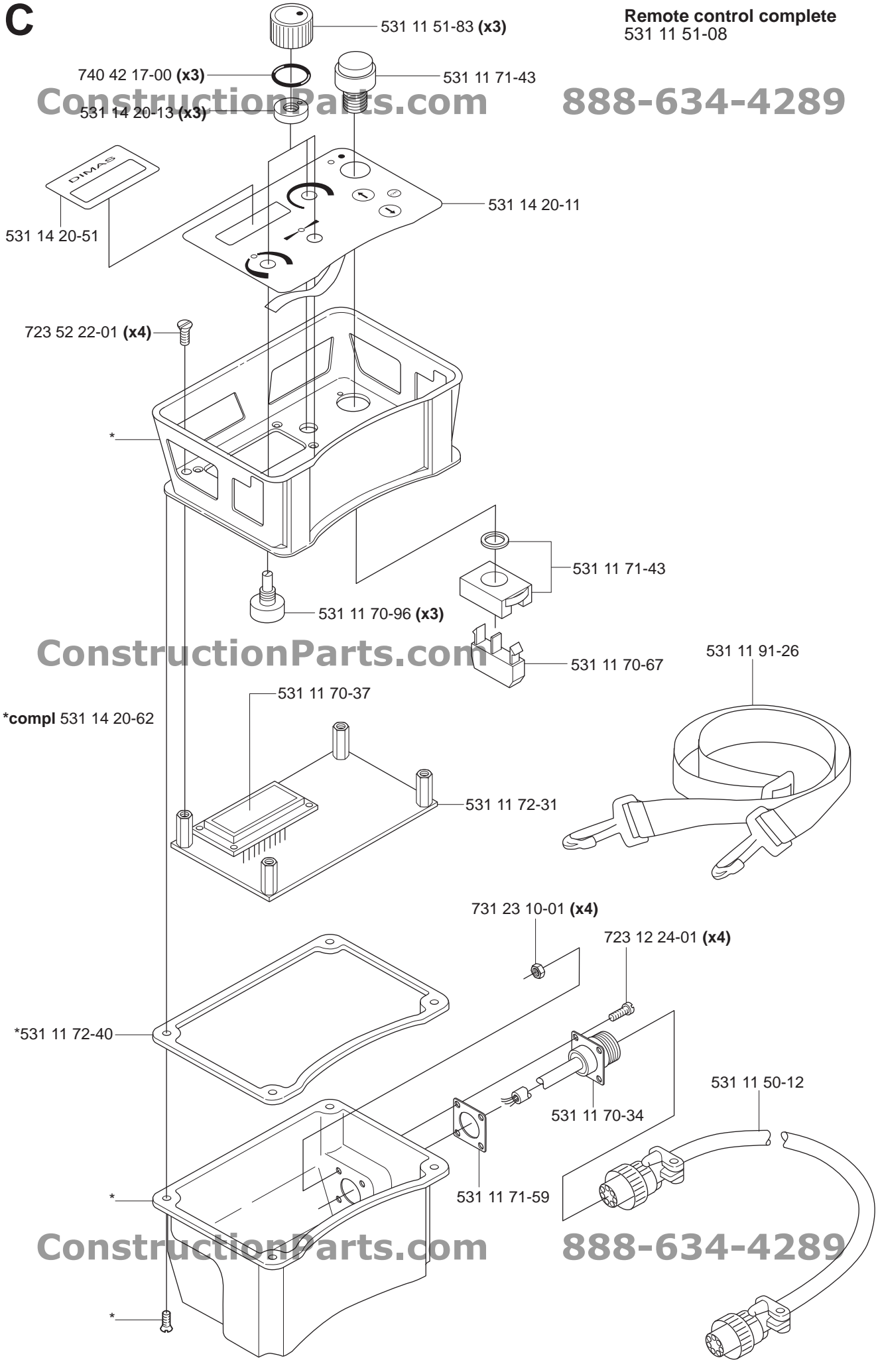
ConstructionParts.com 888-634-4289

C

Remote control complete
531 11 51-08

ConstructionParts.com

888-634-4289

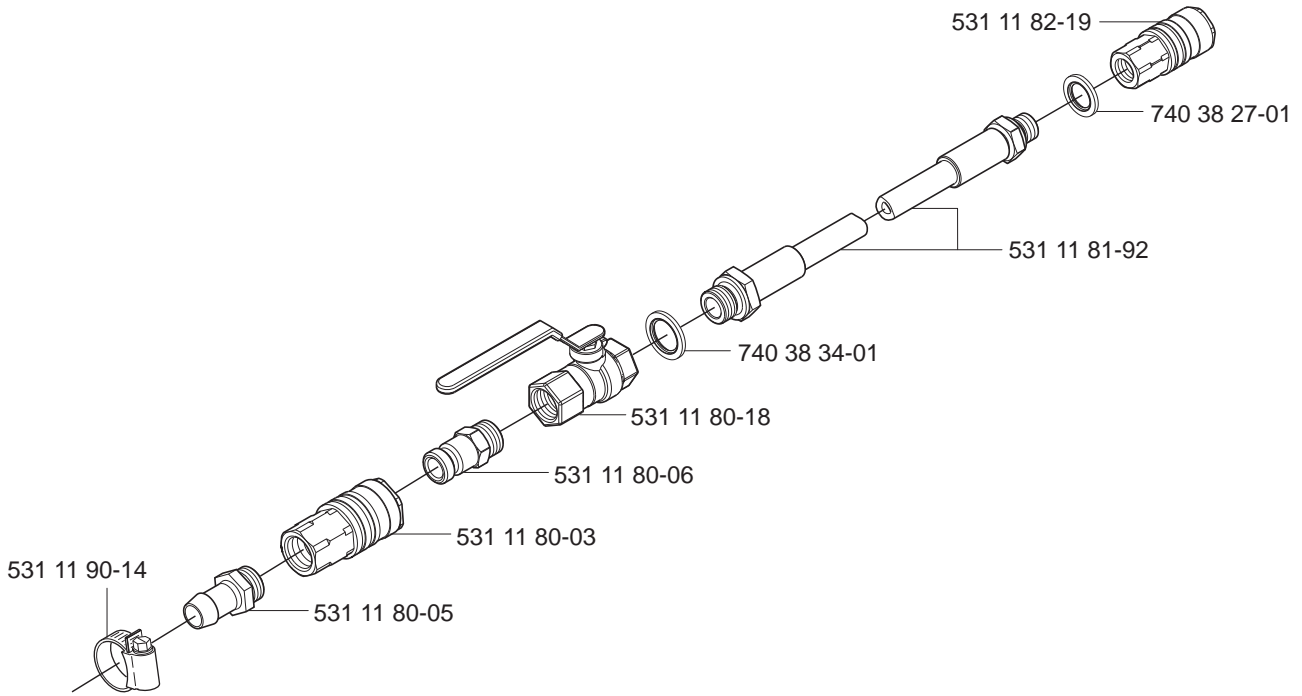


D

RC 455 Water hose with valve
compl 531 11 30-37

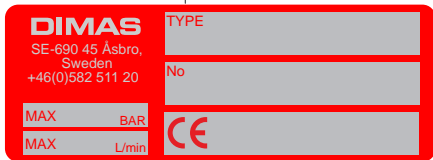
ConstructionParts.com

888-634-4289



ConstructionParts.com

531 12 15-22



531 14 21-27



531 14 21-29



531 14 21-04

DIMAS
ConstructionParts.com 888-634-4289