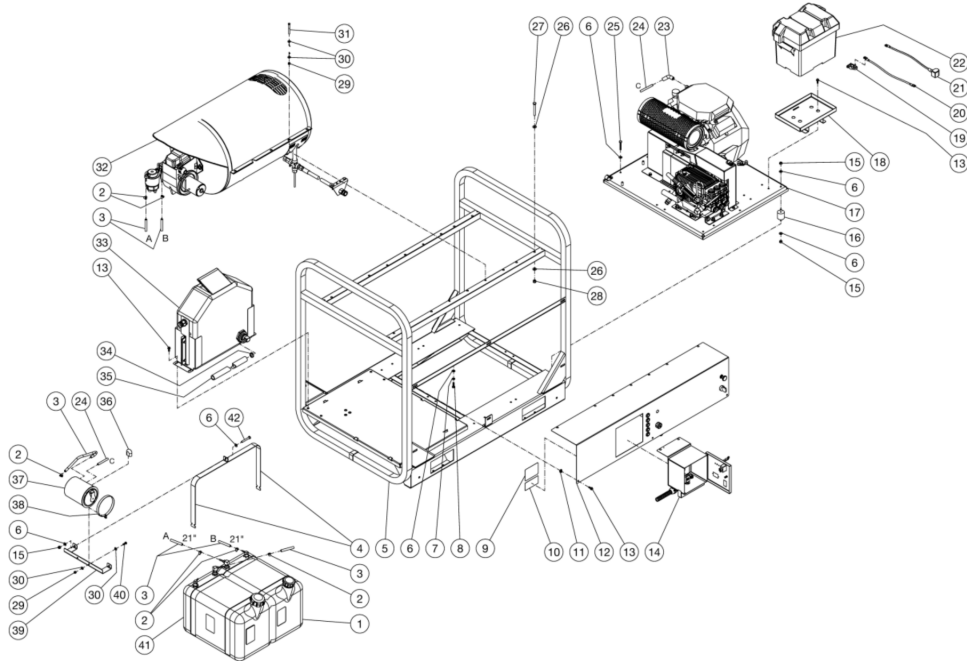




HDC-4004-1H6A / HDC-4004-1H6A (sn:0-99999999)

UNIT ASSEMBLY



Id	Item #	Description	Quantity	Rev	Comments
1	BURNER FUEL TANK ASSY	BURNER FUEL TANK ASSEMBLY	1		
2	42-0004	CLAMP WORM	6		
2	42-0004	CLAMP WORM (DIESEL)	6		
3	15-0008	FUEL HOSE *(ELEVEN FEET REQUIRED)	1		
3	DIESEL	FUEL HOSE *(FOUR FEET REQUIRED)			
4	20-0585A18	TANK STRAP	4		
5	5-0275A18	FRAME	1		
5	KUBOTA SKID FRAME ASSEMBLY	FRAME (DIESEL)	1		
6	28-0003	WASHER	24		
7	29-0007	LOCKWASHER	2		
8	27-0067	BOLT	2		
9	34-1138	DECAL - DATA PLATE	1		
10	34-0075	DECAL- SILVER STICKER	1		
11	30-6027	CLIP NUT	3		
12	HDC CONTROL PANEL	CONTROL PANEL ASSEMBLY	1		

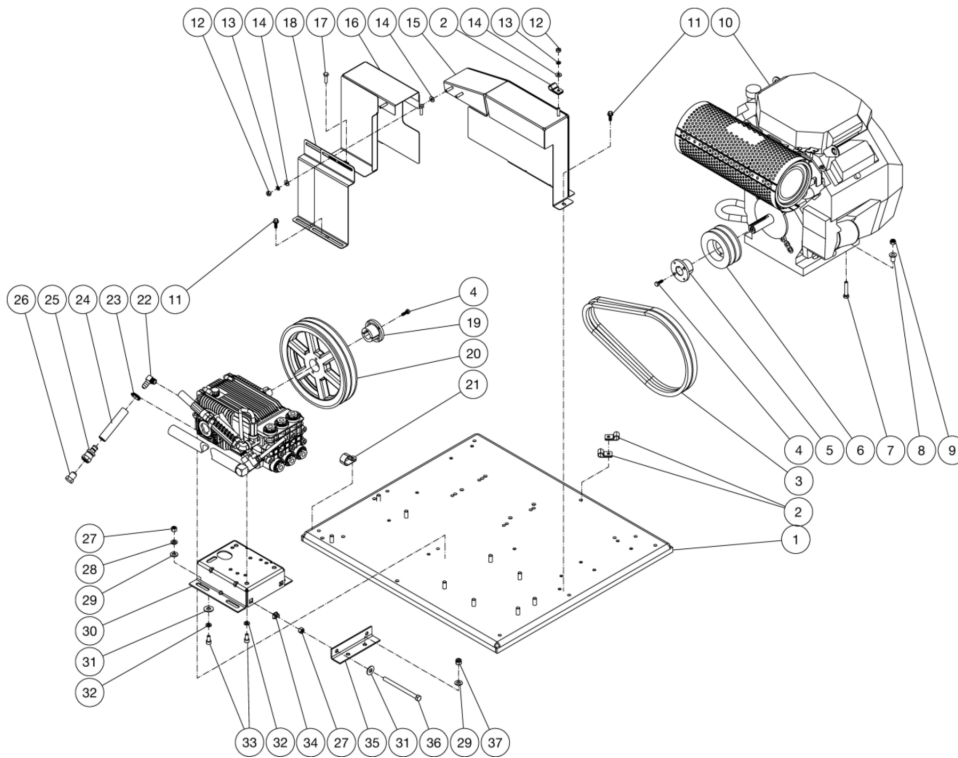
Id	Item #	Description	Quantity	Rev	Comments
12	HDC KUBOTA CONTROL PANEL	HDC KUBOTA CONTROL PANEL (DIESEL)	1		
13	27-1200	BOLT	11		
14	HDC ELECTRIC BOX ASSY	ELECTRIC BOX ASSEMBLY	1		
15	30-0157	LOCKNUT	20		
16	14-0110	ISOLATOR	8		
17	HDC ISOLATION PLATE	ISOLATION PLATE ASSEMBLY	1		
17	HDC KUBOTA ISO PLATE	ISOLATION PLATE ASSEMBLY	1		
18	20-1135A18	BATTERY TRAY	1		
19	32-0066	BATTERY END	2		
20	32-9113	CABLE	1		
21	32-9114	CABLE	1		
22	33-0093	BATTERY BOX	1		
23	62-0229	AIR CLEANER ADAPTER (GASOLINE MODELS)	1		
24	15-0261	FUEL HOSE *(SEVEN FEET REQUIRED) (GASOLINE MODELS)	1		
25	27-0071	BOLT	2		
26	28-0004	WASHER	16		
27	27-0576	BOLT	8		
28	30-0159	LOCKNUT	8		
29	30-0155	LOCKNUT	6		
30	28-0002	WASHER	12		
31	27-0022	BOLT	4		
32	HDC 3005/3505 HEAT EXCHANGER ASSY	HEAT EXCHANGER ASSEMBLY (3005/3505)	1		
32	HDC 4004 HEAT EXCHANGER ASSY	HEAT EXCHANGER ASSY (4004)	1		
33	HDS FLOAT TANK ASSY	FLOAT TANK ASSEMBLY	1		
34	42-0003	HOSE CLAMP	1		
35	15-0033	HOSE *(TWO FEET REQUIRED)	1		
36	62-0218	BREATHER VENT COVER (GASOLINE MODELS)	1		
37	62-0212	CARB CANISTER (GASOLINE MODELS)	1		
38	20-1187A01	CARB CANISTER STRAP (GASOLINE MODELS)	2		
39	20-1197	CARB CANISTER MOUNT (GASOLINE MODELS)	1		
40	27-0015	BOLT	2		
41	HDS GAS TANK ASSY	GAS TANK ASSEMBLY	1		
41	DIESEL FUEL TANK ASSY	DIESEL FUEL TANK ASSEMBLY (DIESEL)	1		
42	27-0072	BOLT	2		

*MUST ORDER IN ONE FOOT LENGTHS



HDC-4004-1H6A / HDC-4004-1H6A (sn:0-99999999)

ISOLATION PLATE



Id	Item #	Description	Quantity	Rev	Comments
1	05-0170A18	ISOLATION PLATE	1		
2	43-0003	CLIP	3		
3	11-0052	BELT (3005/3505)	2		
3	11-0050	BELT (4004)	2		
4	27-0015	BOLT	4		
5	9-0005	BUSHING (HDC-3005/3505/4004-0V6G/3505/4004-0H6G)	1		
5	9-0007	BUSHING (HDC-3505-0K6G)	1		
5	9-0010	BUSHING (HDC-3005-0K6G)	1		
6	10-0125	SHEAVE	1		
7	27-0070	BOLT (HONDA/VANGUARD ONLY)	4		
7	27-0120	BOLT (KOHLER ONLY)	4		
8	33-0169	SHIM (HONDA ONLY)	4		
8	28-0004	WASHER (KOHLER ONLY)	4		
8	28-0003	FLATWASHER (VANGUARD ONLY)	4		

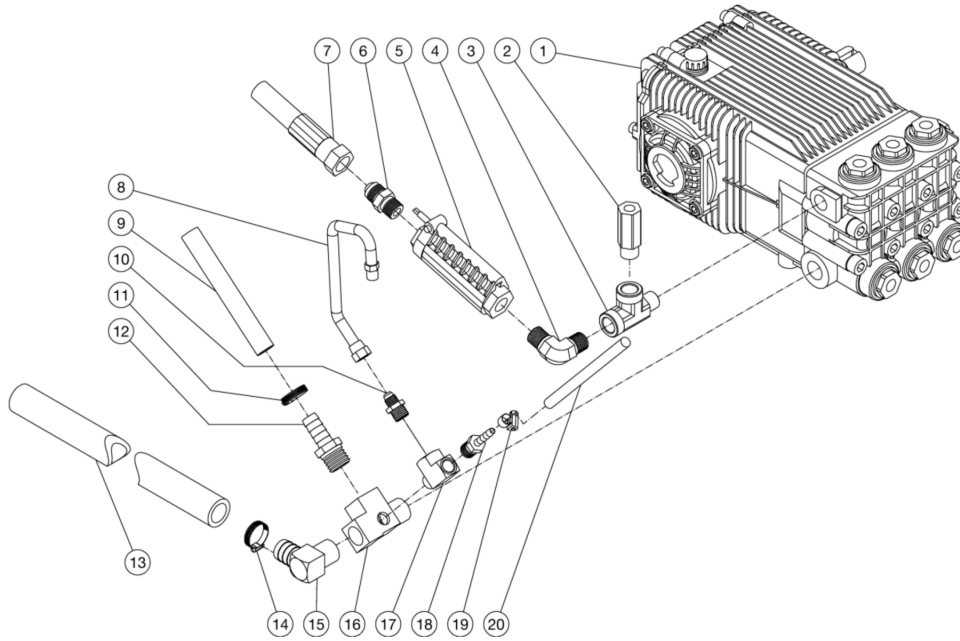
Id	Item #	Description	Quantity	Rev	Comments
9	30-0157	LOCKNUT (HONDA/VANGUARD ONLY)	4		
9	30-0159	NUT (KOHLER ONLY)	4		
10	850-0393	GX630 HONDA ENGINE (HDC-3505-1H6G; HDC-4004-1H6A)	1		
10	850-0333	20 HP KOHLER ENGINE (HDC-3505/4004-0K6G)	1		
10	850-0332	18 HP KOHLER ENGINE (HDC-3005-0K6G)	1		
10	850-0330	16 HP VANGUARD ENGINE (HDC-3005-0V6G)	1		
10	850-0331	21 HP VANGUARD ENGINE (HDC-3505/4004-0V6G)	1		
11	27-1200	BOLT	4		
12	30-0002	NUT	4		
13	29-0006	LOCKWASHER	6		
14	28-0002	WASHER	8		
15	06-0092A18	PUMP BELTGUARD	1		
16	20-0690A18	BELTGUARD	1		
17	27-0016	BOLT	2		
18	20-0589A18	BELTGUARD COVER	2		
19	9-0017	BUSHING	1		
20	10-0037	SHEAVE (3005/3505)	1		
20	10-0012	SHEAVE (4004)	1		
21	33-0291	CLIP	1		
22	23-0119	ELBOW	1		
23	42-0011	HOSE CLAMP	1		
24	15-0305	HOSE *(TWO FEET REQUIRED)	1		
25	23-0360	HOSE BARB	1		
26	23-0411	PLUG	1		
27	30-0006	NUT	6		
28	29-0008	LOCKWASHER	4		
29	28-0004	WASHER	6		
30	05-0153A18	PUMP HAT	1		
31	28-0023	WASHER	3		
32	29-0054	LOCKWASHER (GENERAL MODELS)	4		
32	29-0055	LOCKWASHER (A/R MODELS)	4		
33	27-8884	BOLT (GENERAL MODELS)	4		
33	27-8471	BOLT (A/R MODELS)	4		
34	30-6025	CLIP NUT	2		
35	20-0584A18	TENSION BRACKET	1		
36	27-0133	BOLT	2		
37	30-0159	LOCKNUT	2		

*MUST ORDER IN ONE FOOT LENGTHS



HDC-4004-1H6A / HDC-4004-1H6A (sn:0-99999999)

PUMP PLUMBING



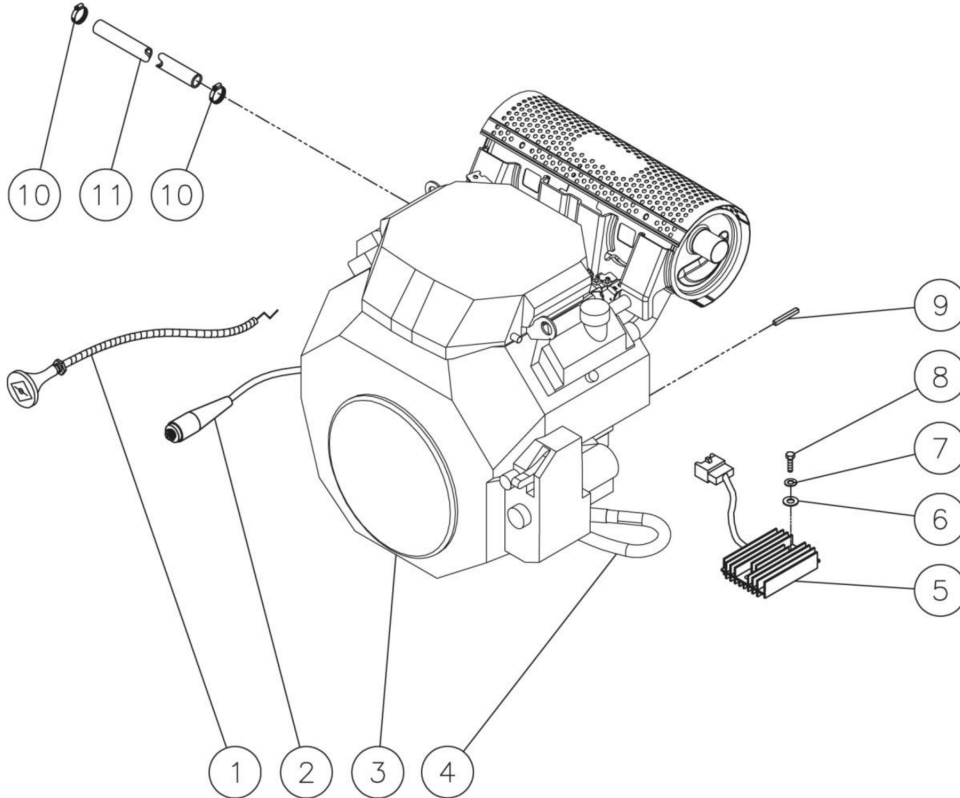
Id	Item #	Description	Quantity	Rev	Comments
1	3-0213	PUMP (4004)	1		
1	3-0202	PUMP (3005/3505)	1		
2	22-0242	EASY START VALVE (4004)	1		
3	23-0058	STREET TEE (4004)	1		
4	24-0131	ELBOW	1		
5	22-0428	FLOW SWITCH	1		
6	24-0002	NIPPLE	1		
7	15-0221	HIGH PRESSURE HOSE ASSEMBLY	1		
8	15-0140	EASY START HOSE (4004)	1		
9	15-0007	HOSE *(THREE FEET REQUIRED)	1		
10	23-0247	NIPPLE (4004)	1		
11	42-0011	HOSE CLAMP	1		
12	23-0045	BARB	1		
13	15-0033	HOSE *(THREE FEET REQUIRED)	1		
14	42-0003	HOSE CLAMP	1		
15	23-0037	ELBOW	1		

Id	Item #	Description	Quantity	Rev	Comments
16	23-0388	STREET TEE	1		
17	23-0127	TEE (4004)	1		
18	23-0051	BARB	1		
19	42-0004	CLAMP WORM	1		
20	15-0079	HOSE *(TWO FEET REQUIRED)	1		
		*MUST ORDER IN ONE FOOT LENGTHS			



HDC-4004-1H6A / HDC-4004-1H6A (sn:0-99999999)

ENGINE ASSEMBLY



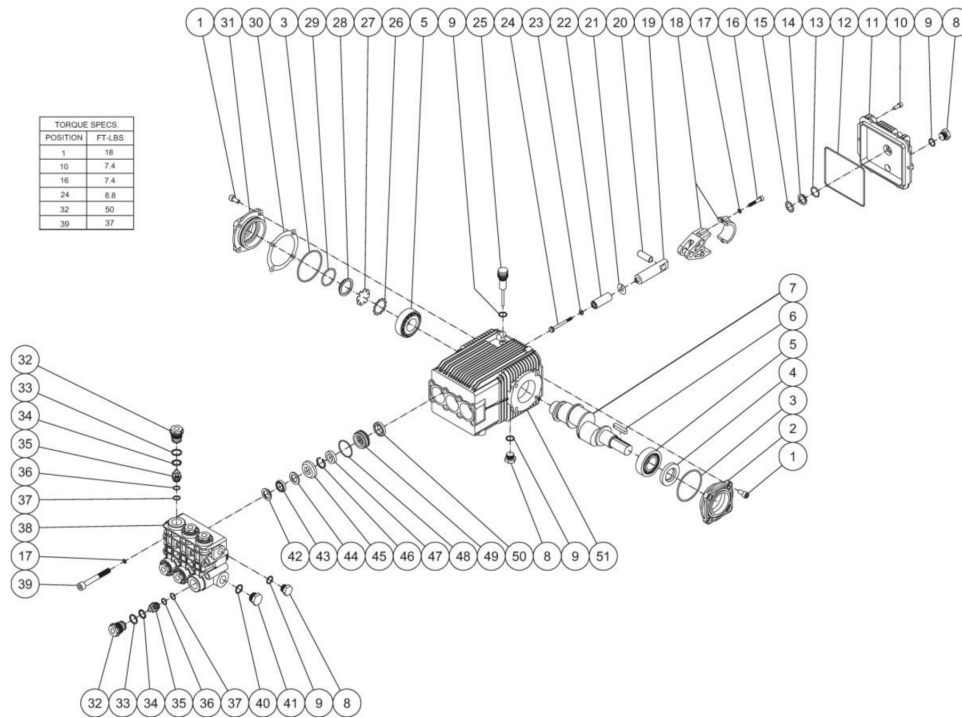
Id	Item #	Description	Quantity	Rev	Comments
1	33-0081	CHOKE CABLE	1		
2	45-0076	KEY SWITCH ASSEMBLY	1		
3	1-0186	ENGINE (850-0393)	1		
3	1-0187	ENGINE (850-0394)	1		
4	70-0555	KIT/ENGINE OIL DRAIN	1		
5	N/A	RECTIFIER	1		
6	28-0002	WASHER	2		
7	29-0006	LOCKWASHER	2		
8	27-0016	SCREW	2		
9	43-0078	KEY	1		
10	42-0004	CLAMP	2		
11	15-0008	HOSE *(FOUR FEET REQUIRED)	1		

*MUST ORDER IN ONE FOOT LENGTHS



HDC-4004-1H6A / HDC-4004-1H6A (sn:0-99999999)

PUMP ASSEMBLY



Id	Item #	Description	Quantity	Rev	Comments
1	27-8884	BOLT	8		
2	46-0909	COVER	1		
3	25-0512	O-RING	2		
4	26-0243	OIL SEAL	1		
5	48-0073	BEARING	2		
6	43-0091	PUMP KEY	1		
7	46-0944	CRANKSHAFT	1		
8	39-0203	PLUG	3		
9	25-0510	O-RING	4		
10	27-8888	BOLT	6		
11	46-0912	COVER	1		
12	25-0513	O-RING	1		
13	25-0370	O-RING	1		
14	46-0670	OIL SIGHT GLASS	1		

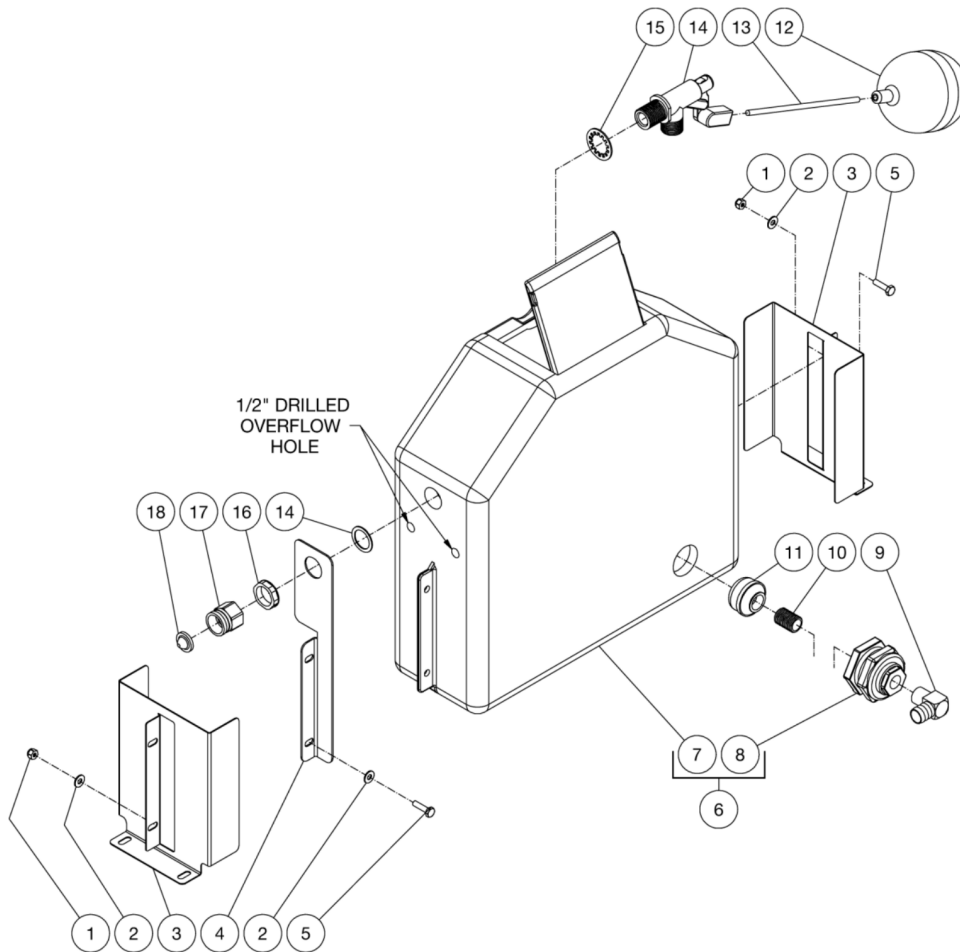
Id	Item #	Description	Quantity	Rev	Comments
15	46-0671	SPRING RETAINER	1		
16	27-8892	BOLT	6		
17	29-0153	LOCKWASHER	14		
18	46-0913	CONNECTING ROD	3		
19	46-0915	PLUNGER ROD	3		
20	46-0914	PIN	3		
21	46-0916	WASHER	3		
22	46-0917	PISTON	3		
23	29-0014	WASHER	3		
24	27-8965	BOLT	3		
25	39-0204	DIPSTICK	1		
26	46-0924	RETAINER	1		
27	46-0925	PUMP	1		
28	46-0926	OIL SIGHT GLASS	1		
29	25-0514	O-RING	1		
30	46-0947	SHIM - .05MM	1		
30	46-0948	SHIM - .10MM	0		
30	46-0949	SHIM - .19MM	0		
30	46-0950	SHIM - .25MM	0		
31	46-0918	COVER	1		
32	39-0201	VALVE CAP	6		
33	25-0509	BACK-UP RING	6		
34	25-0386	O-RING	6		
35	22-0318	VALVE (SEE KIT 70-0314)	6		
36	25-0516	BACK-UP RING (SEE KIT 70-0314)	6		
37	25-0407	O-RING (SEE KIT 70-0314)	6		
38	46-0900	PUMP MANIFOLD	1		
39	27-8470	BOLT	8		
40	25-0372	O-RING	1		
41	39-0202	PLUG	1		
42	46-0901	SUPPORT RING (SEE KIT 70-0317)	3		
43	46-0902	HIGH PRESSURE SEAL (SEE KIT 70-0317)	3		
44	46-0903	BACK-UP RING (SEE KIT 70-0317)	3		
45	46-1201	GUIDE	3		
46	46-0905	BACK-UP RING (SEE KIT 70-0317)	3		
47	46-0906	LOW PRESSURE SEAL (SEE KIT 70-0317)	3		
48	25-0511	O-RING (SEE KIT 70-0317)	3		
49	46-1200	GUIDE REAR	3		
50	26-0242	OIL SEAL	3		

Id	Item #	Description	Quantity	Rev	Comments
51	46-0911	CRANKCASE	1		
KIT	70-0317	WATER SEALS KIT (INC. 3 EACH 42, 43, 44, 46, 47, 48)			
KIT	70-0314	VALVES KIT (INC. 6 EACH 35, 36, 37)			



HDC-4004-1H6A / HDC-4004-1H6A (sn:0-99999999)

FLOAT TANK ASSEMBLY



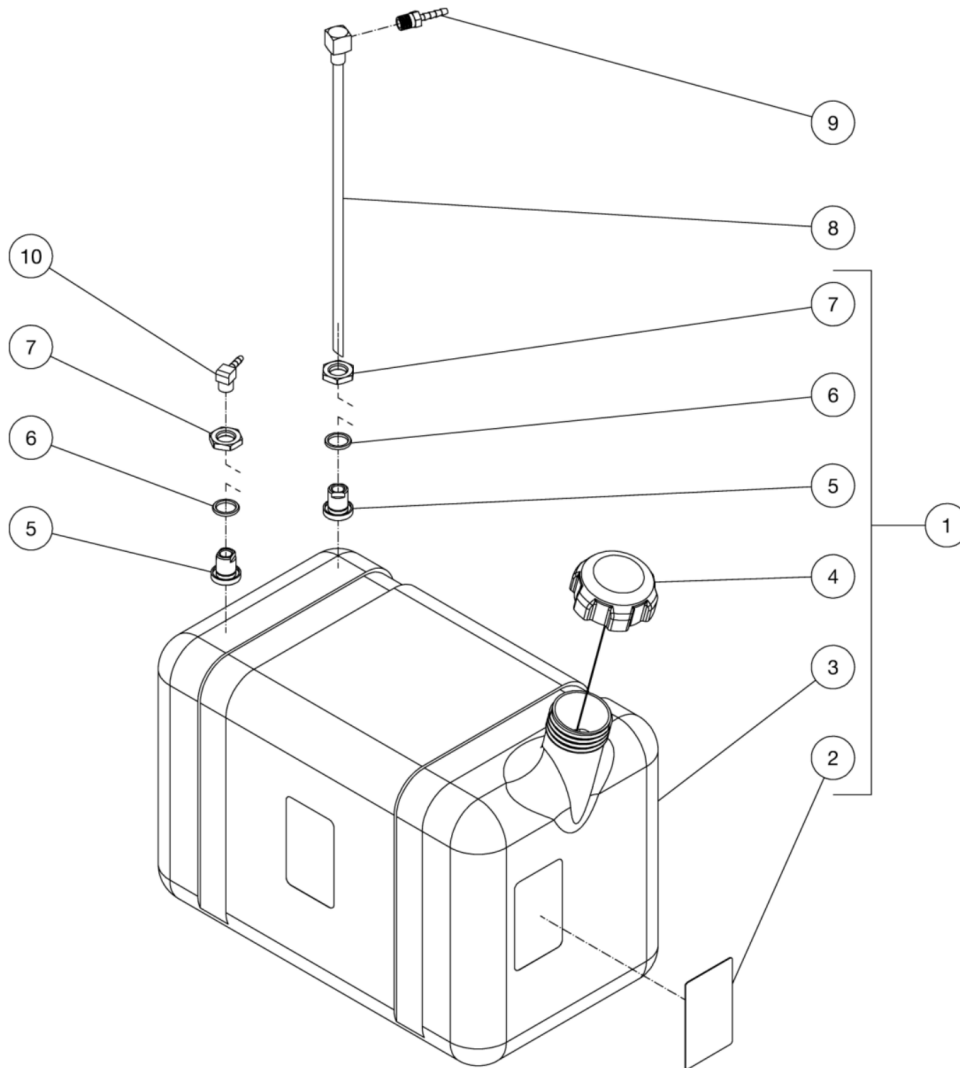
Id	Item #	Description	Quantity	Rev	Comments
1	30-0155	LOCKNUT	4		
2	28-0002	WASHER	6		
3	20-0586A18	BRACKET / FLOAT TANK	2		
4	20-0912A18	BRACKET	1		
5	27-0016	BOLT	4		
6	850-0322	FLOAT TANK ASSEMBLY (INC. 7-8)	1		
7	N/A	FLOAT TANK	1		
8	N/A	BULKHEAD (INC. 25-0506 GASKET)	1		
9	23-0037	ELBOW	1		
10	23-0019	NIPPLE	1		

Id	Item #	Description	Quantity	Rev	Comments
11	19-0203	STRAINER	1		
12	22-0059	FLOAT	1		
13	31-3320	BALL FLOAT STUD	1		
14	22-0317	FLOAT VALVE	1		
15	29-0074	LOCKWASHER	1		
16	23-0428	LOCKNUT	1		
17	23-0021	GARDEN HOSE INLET	1		
18	19-0001	FILTER	1		



HDC-4004-1H6A / HDC-4004-1H6A (sn:0-99999999)

GAS TANK ASSEMBLY



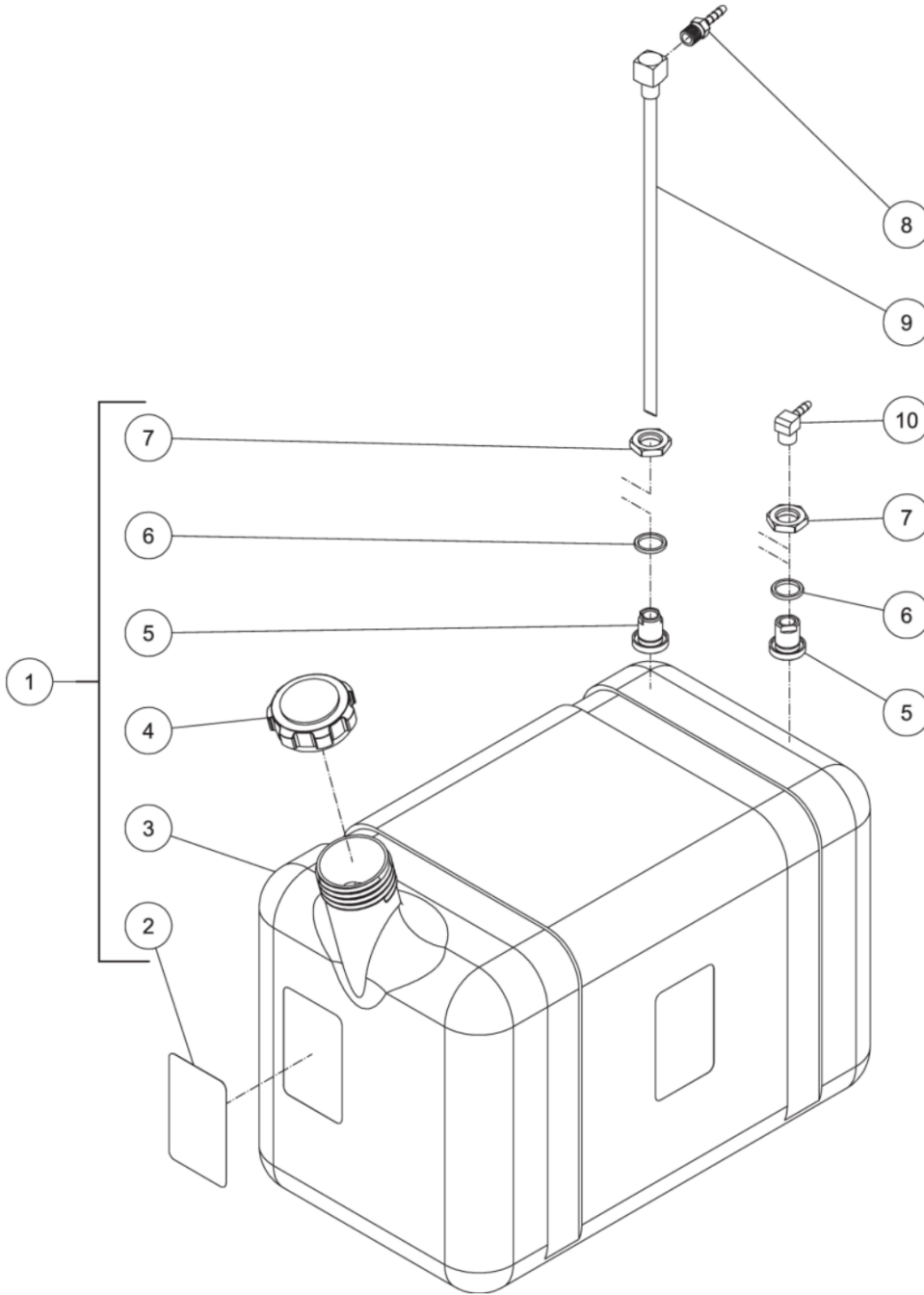
Id	Item #	Description	Quantity	Rev	Comments
1	850-0306	GAS TANK ASSY (INC 2-7)	1		
2	N/A	DECAL- CAUTION: GASOLINE ONLY (SEE 71-0034)	1		
3	N/A	FUEL TANK - RED	1		
4	12-0220	FUEL CAP - SEALED/TETHERED	1		
5	23-0408	BULKHEAD FITTING	2		
6	25-0427	O-RING	2		
7	23-0409	NUT	2		
8	33-0352	FUEL PICK-UP	1		

Id	Item #	Description	Quantity	Rev	Comments
9	23-0051	BARB	1		
10	23-0054	ELBOW	1		



HDC-4004-1H6A / HDC-4004-1H6A (sn:0-99999999)

BURNER FUEL TANK



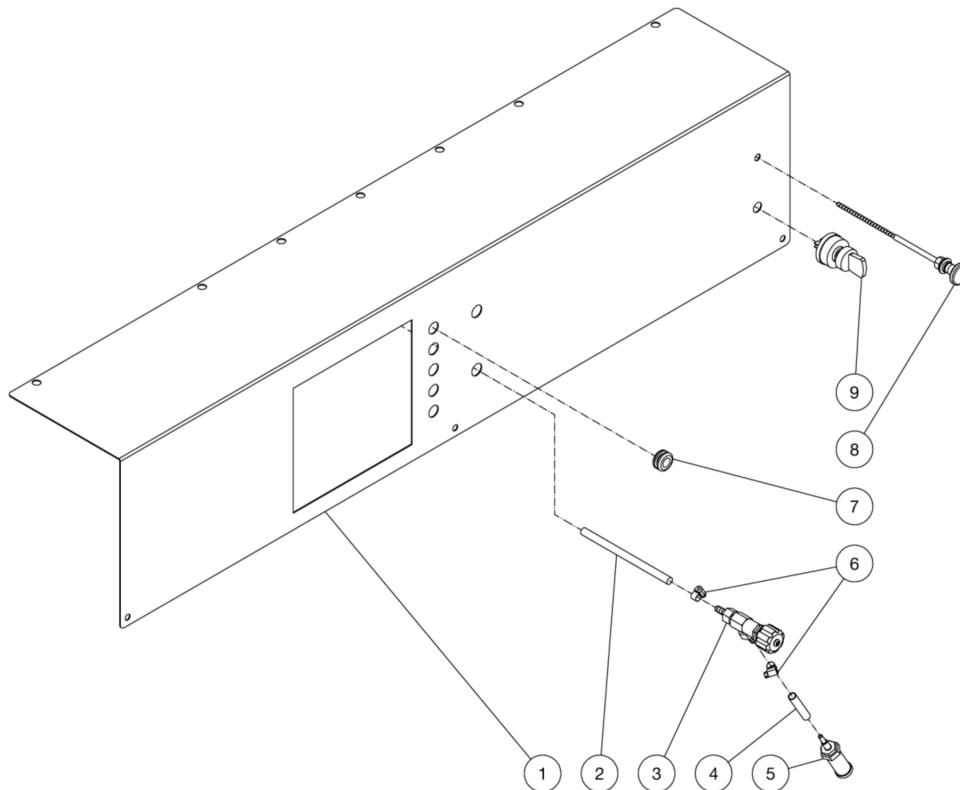
Id	Item #	Description	Quantity	Rev	Comments
1	850-0307	FUEL TANK ASSEMBLY (INC. 2-3, 5-7)	1		
2	N/A SEP.	DECAL- CAUTION: RISK OF FIRE (SEE 71-0041)	1		

Id	Item #	Description	Quantity	Rev	Comments
3	N/A Sep.	FUEL TANK (SEE 850-0307)	1		
4	12-0033	FUEL CAP	1		
5	23-0408	BULKHEAD FITTING	2		
6	25-0427	O-RING	2		
7	23-0409	NUT	2		
8	23-0051	HOSE BARB	1		
9	33-0352	FUEL PICKUP	1		
10	23-0054	ELBOW	1		
	71-0041	SAFETY DECAL KIT (INCLUDES 2)			



- HDC-4004-1H6A / HDC-4004-1H6A (sn:0-99999999)

CONTROL PANEL ASSEMBLY



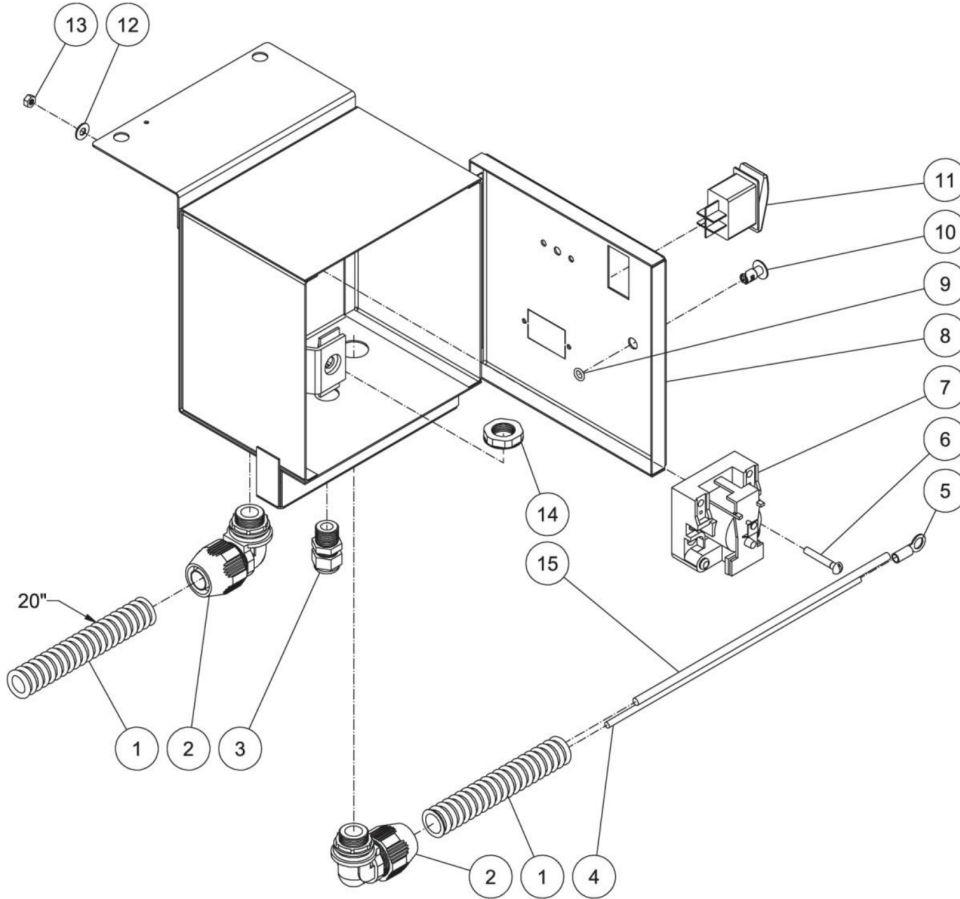
Id	Item #	Description	Quantity	Rev	Comments
1	20-1095A18	CONTROL PANEL	1		
2	15-0079	HOSE *(TWO FEET REQUIRED)	1		
3	22-0226	DETERGENT VALVE	1		
4	15-0021	HOSE *(SIX FEET REQUIRED)	1		
5	19-0056	STRAINER	1		
6	42-0004	CLAMP WORM	2		
7	33-0001	GROMMET	5		
8	33-0081	CHOKE CABLE	1		
9	45-0076	KEY SWITCH (HONDA ENGINE)	1		
9	45-0071	KEY SWITCH (KOHLER ENGINE)	1		
9	45-0079	KEY SWITCH (VANGUARD ENGINE)	1		

*MUST ORDER IN ONE FOOT LENGTHS



HDC-4004-1H6A / HDC-4004-1H6A (sn:0-99999999)

ELECTRICAL BOX ASSEMBLY



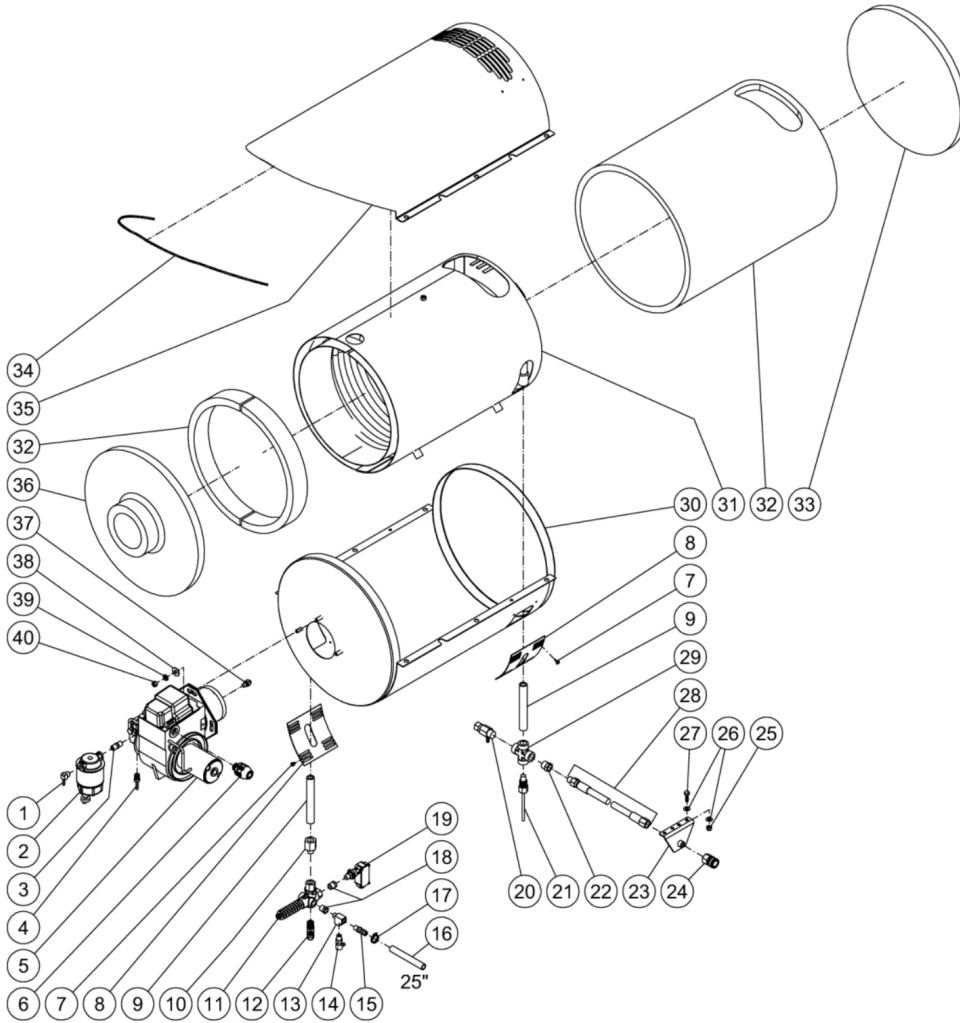
Id	Item #	Description	Quantity	Rev	Comments
1	32-0253	CONDUIT FLEX *(SEVEN FEET REQUIRED)	2		
1	32-0253	CONDUIT FLEX *(FOUR FEET REQUIRED) (DIESEL)	1		
2	32-0254	CONDUIT ELBOW	2		
3	32-0586	STRAIN RELIEF	3		
4	32-0500	WIRE *(SEVEN FEET REQUIRED)	1		
4	32-0500	WIRE *(FOUR FEET REQUIRED) (DIESEL)	1		
5	32-0639	TERMINAL RING	2		
6	27-8912	SCREW	2		
7	32-0791	RELAY CONTROL	1		
8	20-1097A18	ELECTRIC BOX	1		
9	25-0209	O-RING	1		

Id	Item #	Description	Quantity	Rev	Comments
10	33-0197	FASTENER	1		
11	32-0969	ROCKER SWITCH W/LAMP	1		
12	28-0001	WASHER	2		
13	30-6001	NUT	2		
14	32-0587	ELECTRICAL LOCKNUT	3		
15	32-0794	WIRE *(SEVEN FEET REQUIRED)	1		
15	32-0794	WIRE *(THREE FEET REQUIRED) (DIESEL)	1		
		*MUST ORDER IN ONE FOOT LENGTHS			



HDC-4004-1H6A / HDC-4004-1H6A (sn:0-99999999)

HEAT EXCHANGER ASSEMBLY



Id	Item #	Description	Quantity	Rev	Comments
1	23-0054	ELBOW	1		
2	19-0070	FUEL FILTER / WATER SEPERATOR	1		
3	24-0145	NIPPLE	1		
4	23-0051	BARB	1		
5	4-0021	BURNER	1		
6	32-0255	CONDUIT FITTING	1		
7	27-3062	BOLT	8		
8	20-0537A18	PATCH PLATE	2		

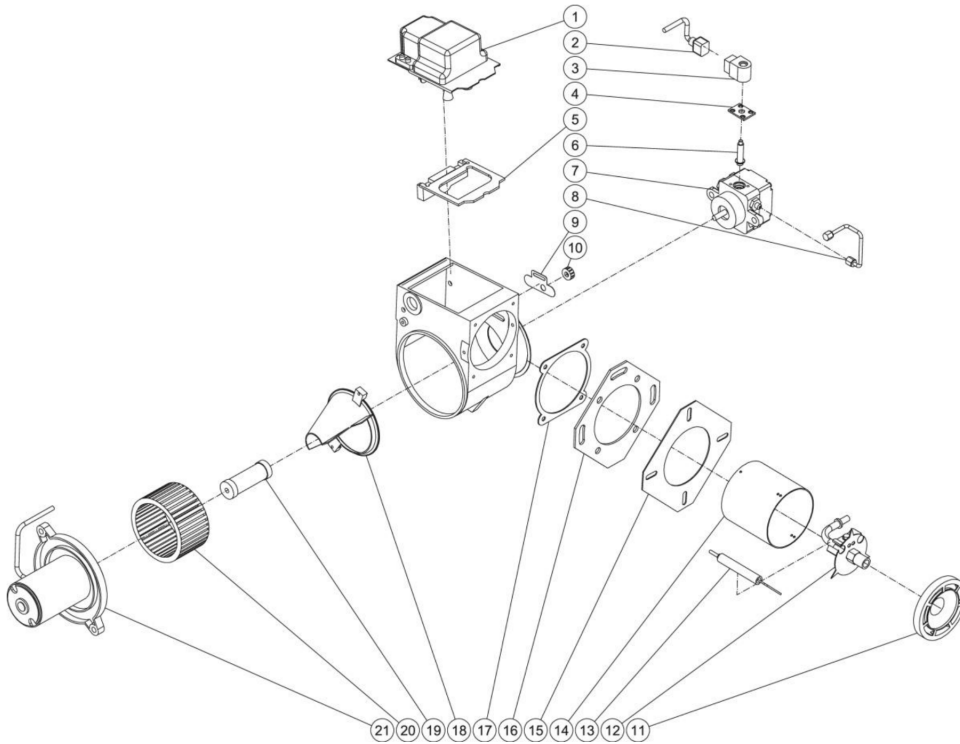
Id	Item #	Description	Quantity	Rev	Comments
9	24-0254	PIPE NIPPLE	2		
10	24-0048	REDUCER	1		
11	8-0634	UNLOADER	1		
12	24-0092	ELBOW	1		
13	23-0127	TEE	1		
14	22-0408	HEAT DUMP VALVE	1		
15	23-0120	HOSE BARB	1		
15	23-0119	ELBOW HOSE BARB	1		
16	15-0007	HOSE *(THREE FEET REQUIRED)	1		
17	42-0011	HOSE CLAMP	1		
18	23-0017	REDUCER	2		
19	22-0243	PRESSURE SWITCH	1		
20	22-0434	SAFETY RELEIF VALVE	1		
21	32-0667	HI-LIMIT SWITCH	1		
22	23-0016	REDUCER BUSHING	1		
23	13-0199A18	WATER OUTLET BRACKET	1		
24	17-0004	QC SOCKET	1		
25	30-0157	LOCKNUT	2		
26	28-0003	WASHER	4		
27	27-0067	BOLT	2		
28	15-0202	HP HOSE	1		
29	24-0241	CROSS	1		
30	20-0527A18	BOTTOM WRAP	1		
31	66-0014	COIL	1		
32	850-0279	INSULATION BLANKET	1		
33	33-0346	INSULATION DISC	1		
34	33-0020	EDGING *(THREE FEET REQUIRED)	1		
35	21-0129	TOP WRAP	1		
36	33-0345	INSULATION DRUM HEAD	1		
37	18-0091	FUEL NOZZLE	1		
38	28-0023	WASHER	3		
39	29-0008	LOCKWASHER	3		
40	30-0006	NUT	3		

*MUST ORDER IN ONE FOOT LENGTHS



HDC-4004-1H6A / HDC-4004-1H6A (sn:0-99999999)

BURNER ASSEMBLY



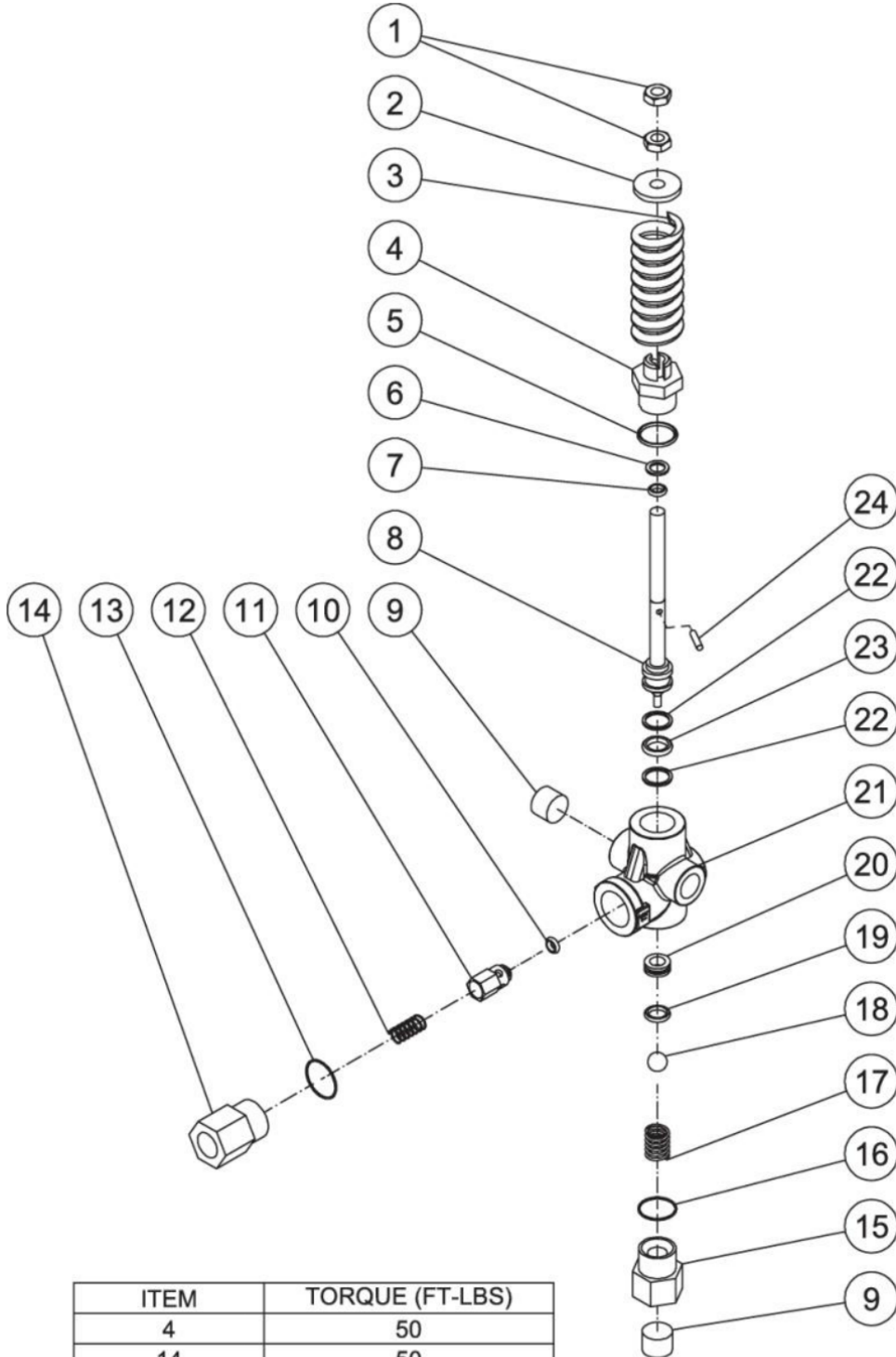
Id	Item #	Description	Quantity	Rev	Comments
1	44-0125	IGNITER ASSY W/ BASEPLATE	1		
2	44-0122	CORD SET	1		
3	46-1015	COIL	1		
4	46-1004	TUBE BASE PLATE	1		
5	70-0369	IGNITER GASKET KIT	1		
6	46-1012	SOLENOID PISTON	1		
7	3-0434	FUEL PUMP	1		
8	44-0025	TUBING	1		
9	44-0031	PLATE	1		
10	44-0022	NUT	1		
11	44-0011	COMBUSTION HEAD	1		
12	44-0111	ELECTRODE KIT	1		
13	44-0114	ELECTRODE	1		
14	44-0110	AIR TUBE	1		

Id	Item #	Description	Quantity	Rev	Comments
15	44-0108	FLANGE MOUNTING GASKET	1		
16	44-0109	FLANGE	1		
17	26-0138	GASKET FLANGE	1		
18	44-0123	AIR GUIDE	1		
19	44-0127	COUPLING	1		
20	44-0124	BLOWER WHEEL	1		
21	2-0139	MOTOR	1		



HDC-4004-1H6A / HDC-4004-1H6A (sn:0-99999999)

UNLOADER ASSEMBLY



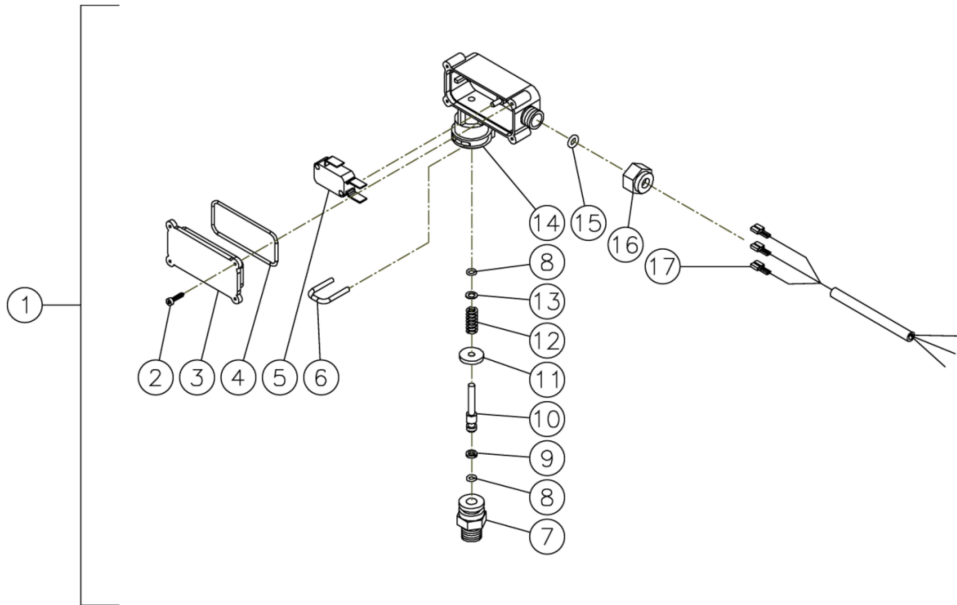
ITEM	TORQUE (FT-LBS)
4	50
14	50
15	50

Id	Item #	Description	Quantity	Rev	Comments
1	8-0293	NUT	2		
2	46-1527	SPRING SPACER	1		
3	49-0171	SPRING	1		
4	46-1529	FITTING	1		
5	SEE KIT	O-RING (SEE KIT 70-0625)	1		
6	SEE KIT	O-RING (SEE KIT 70-0625)	1		
7	SEE KIT	O-RING (SEE KIT 70-0625)	1		
8	46-1530	STEM	1		
9	23-0244	PLUG	2		
10	SEE KIT	O-RING (SEE KIT 70-0624)	1		
11	SEE KIT	POPPET (SEE KIT 70-0624)	1		
12	SEE KIT	SPRING (SEE KIT 70-0624)	1		
13	25-0672	O-RING	1		
14	46-1531	OUTLET FITTING	1		
15	SEE KIT	INLET FITTING (SEE KIT 70-0625)	1		
16	SEE KIT	O-RING (SEE KIT 70-0625)	1		
17	49-0172	SPRING	1		
18	SEE KIT	BALL (SEE KIT 70-0625)	1		
19	SEE KIT	O-RING (SEE KIT 70-0625)	1		
20	46-1532	SEAT	1		
21	46-1533	FORGING	1		
22	SEE KIT	BACKUP RING (SEE KIT 70-0625)	2		
23	SEE KIT	O-RING (SEE KIT 70-0625)	1		
24	SEE KIT	PIN (SEE KIT 70-0625)	1		
KIT	70-0624	CHECK VALVE (INC. 10-12)			
KIT	70-0625	UNLOADER REBUILD (INC. 5-7, 15-16, 18-19, 23-24; INC. 2 EACH 22)			



HDC-4004-1H6A / HDC-4004-1H6A (sn:0-99999999)

PRESSURE SWITCH



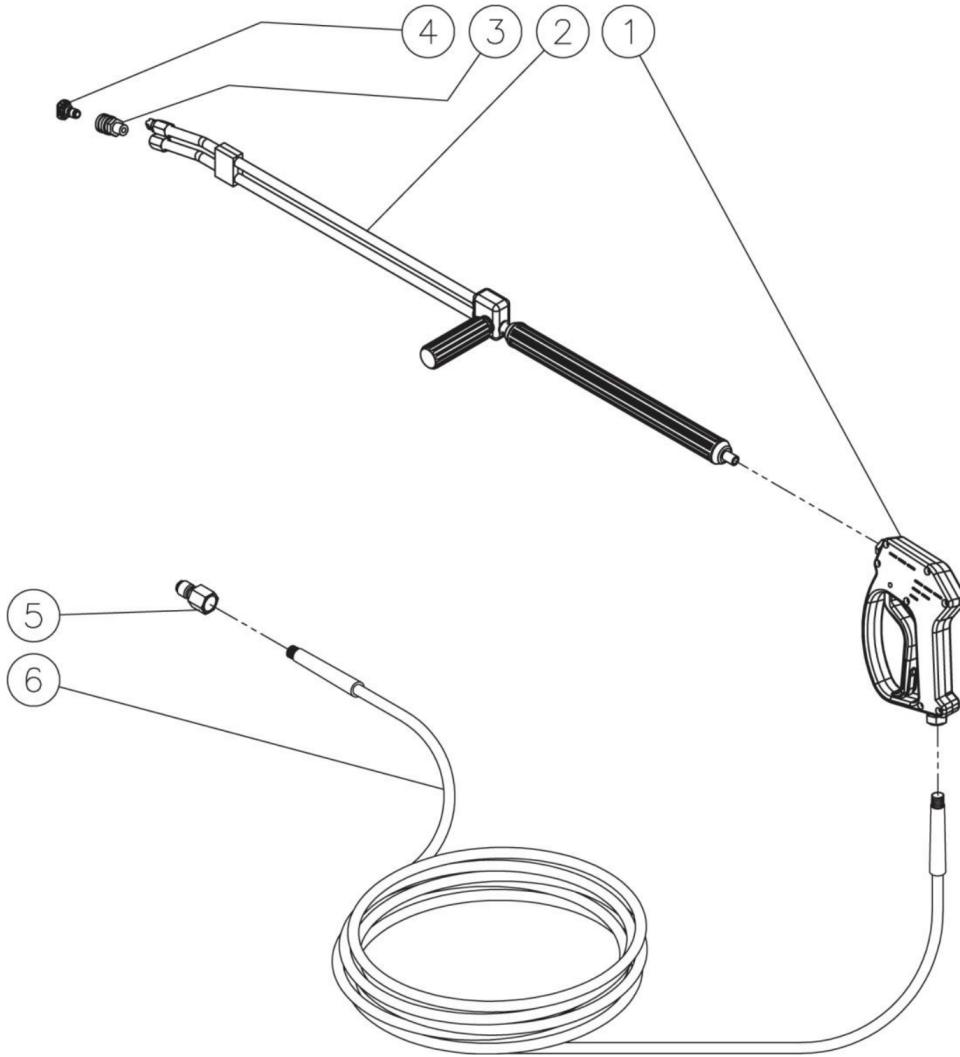
Id	Item #	Description	Quantity	Rev	Comments
1	22-0171	PRESSURE SWITCH- 15 BAR	1		
1	22-0243	PRESSURE SWITCH- 25 BAR	1		
2	N/A	SCREW	4		
3	N/A	COVER	1		
4	N/A Sep.	O-RING (SEE 70-0306)	1		
5	N/A	MICRO SWITCH	1		
6	N/A	RETAINER CLIP	1		
7	N/A	BODY	1		
8	N/A Sep.	O-RING (SEE 70-0306)	2		
9	N/A Sep.	BACK-UP RING (SEE 70-0306)	1		
10	N/A	PISTON	1		
11	N/A	WASHER	1		
12	49-0144	SPRING- 15 BAR	1		
12	49-0145	SPRING- 25 BAR	1		
13	N/A	WASHER	1		
14	N/A	PLASTIC HOUSING	1		

Id	Item #	Description	Quantity	Rev	Comments
15	N/A Sep.	O-RING (SEE 70-0306)	1		
16	N/A	NUT- 15 BAR	1		
16	N/A	NUT- 25 BAR	1		
17	N/A	WIRE ASSEMBLY	1		
KIT	70-0306	O-RING REPAIR KIT (INC. 4, 8-9, 15)			



HDC-4004-1H6A / HDC-4004-1H6A (sn:0-99999999)

GUN/WAND/HOSE ASSEMBLY



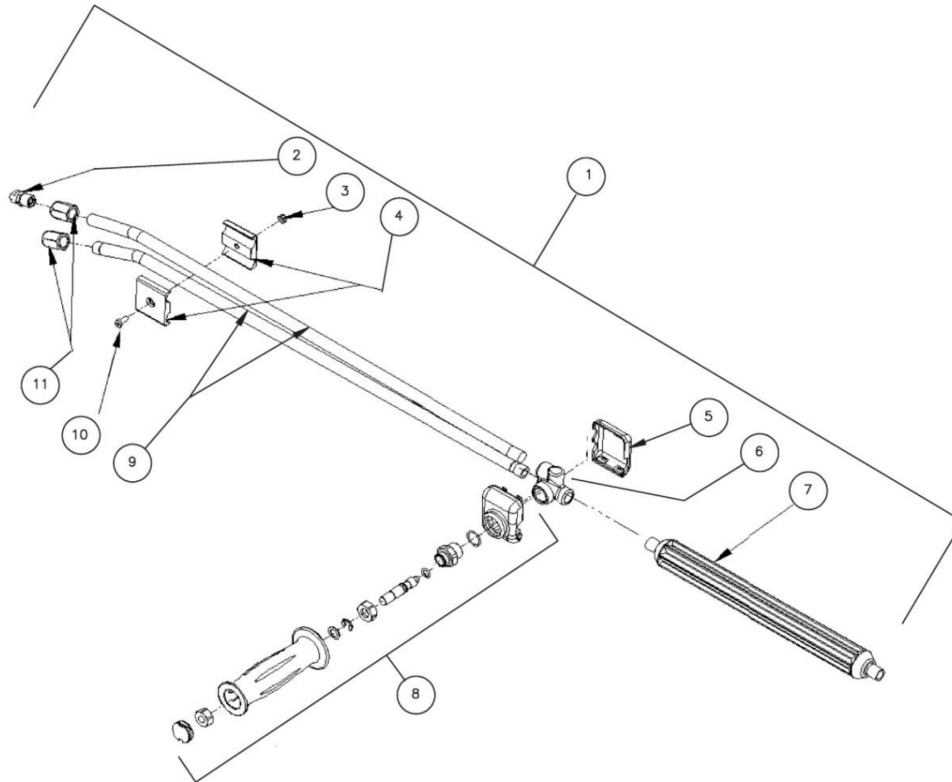
Id	Item #	Description	Quantity	Rev	Comments
1	16-0446	GUN ASSEMBLY	1		
2	16-0417	DUAL LANCE	1		
3	17-0028	QUICK CONNECT SOCKET	1		
4	18-0028	NOZZLE- 0004 (HDC-4004)	1		
4	18-0029	NOZZLE- 1504 (HDC-4004)	1		
4	18-0030	NOZZLE- 2504 (HDC-4004)	1		
4	18-0031	NOZZLE- 4004 (HDC-4004)	1		
4	18-0003	NOZZLE- 0005 (HDC-3505)	1		

Id	Item #	Description	Quantity	Rev	Comments
4	18-0004	NOZZLE- 1505 (HDC-3505)	1		
4	18-0153	NOZZLE- 2505 (HDC-3505)	1		
4	18-0180	NOZZLE- 4005 (HDC-3505)	1		
4	18-0035	NOZZLE- 0005.5 (HDC-3005)	1		
4	18-0041	NOZZLE- 1505.5 (HDC-3005)	1		
4	18-0062	NOZZLE- 2505.5 (HDC-3005)	1		
4	18-0132	NOZZLE- 4005.5 (HDC-3005)	1		
5	17-0006	QUICK CONNECT PLUG	1		
6	15-0166	HIGH PRESSURE HOSE ASSEMBLY	1		



HDC-4004-1H6A / HDC-4004-1H6A (sn:0-99999999)

DUAL LANCE ASSEMBLY



Id	Item #	Description	Quantity	Rev	Comments
1	16-0416	DUAL LANCE ASSEMBLY - 36" (INC. 2-11)	1		
1	16-0417	DUAL LANCE ASSEMBLY - 48" (INC. 2-11)	1		
2	18-0110	DETERGENT NOZZLE	1		
3	30-6001	NUT	1		
4	16-0420	CLAMP	2		
5	N/A Sep.	LOWER VALVE COVER (SEE 16-0416 OR 16-0417)	1		
6	N/A Sep.	HOUSING (SEE 16-0416 OR 16-0417)	1		
7	16-0419	LANCE	1		
8	70-0419	HANDLE REPAIR KIT	1		
9	N/A Sep.	LANCE (SEE 16-0416)	2		
9	N/A Sep.	LANCE (SEE 16-0417)	2		
10	27-8196	SCREW	1		

Id	Item #	Description	Quantity	Rev	Comments
11	24-0280	NOZZLE ADAPTER	2		