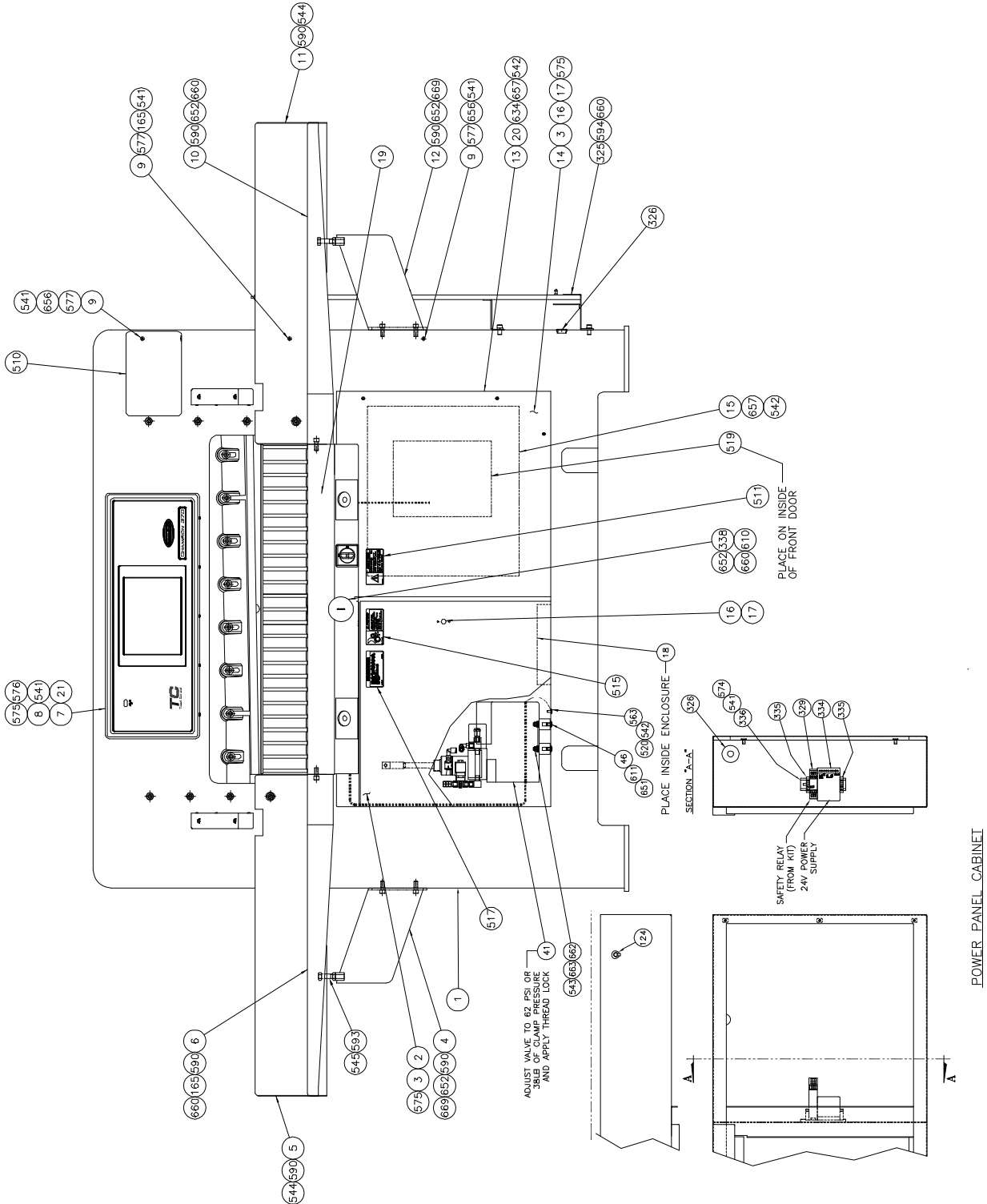


10.0 MAIN ASSEMBLIES

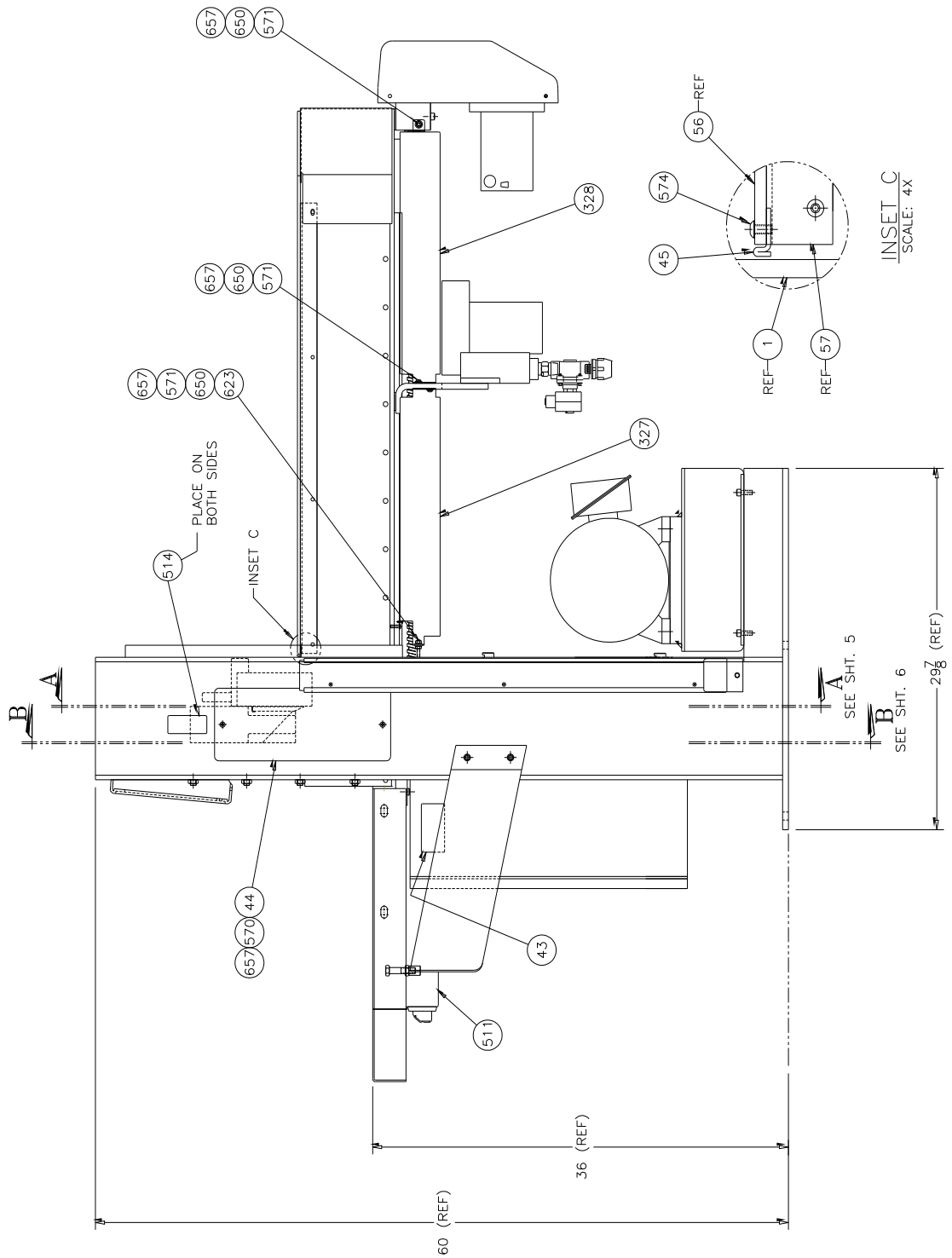
10.1 Main Assembly – Front view

49300 Sh't. 1 Rev. A



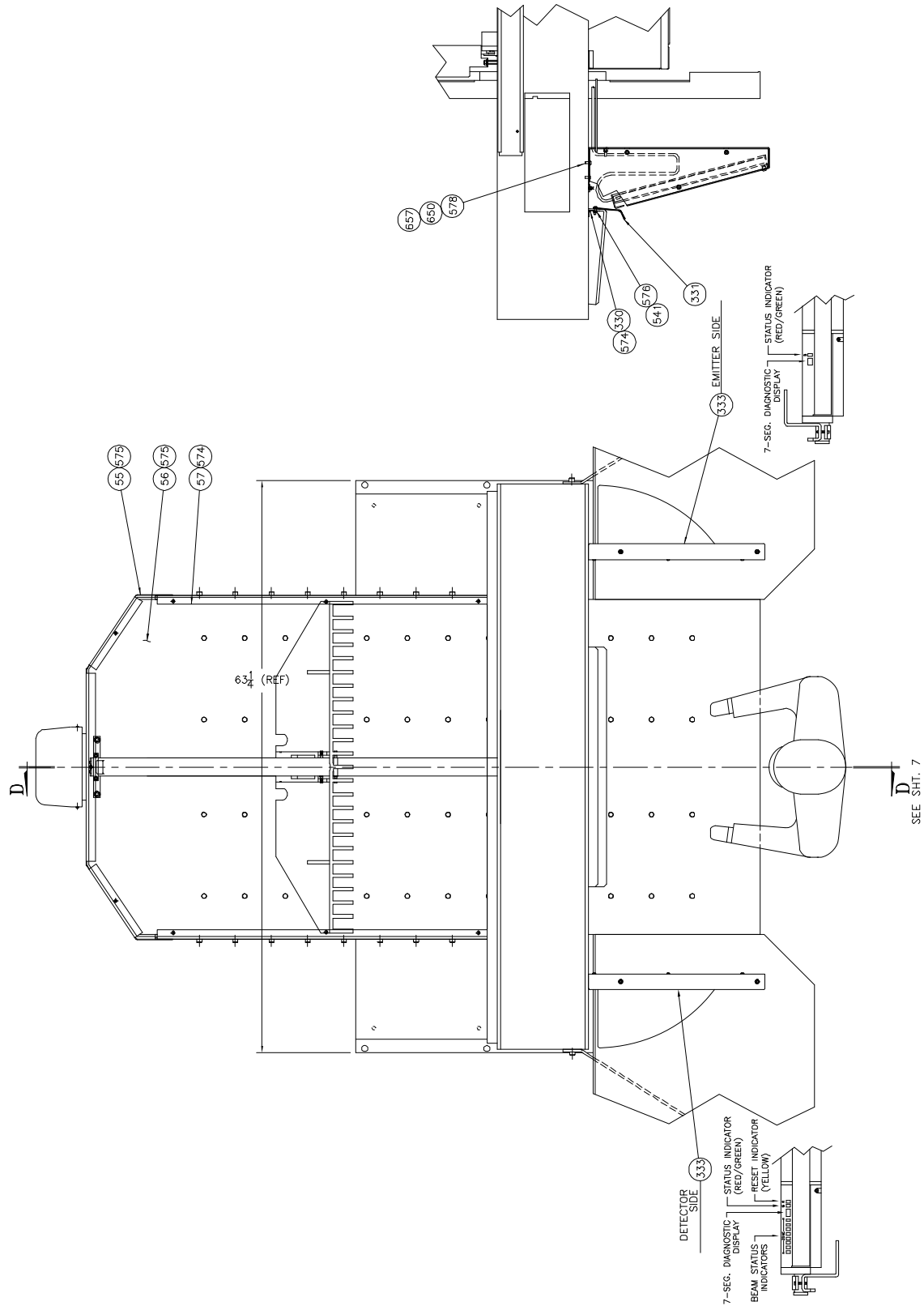
10.2 Main Assembly – Side View

49300 Sh't. 2 Rev. A



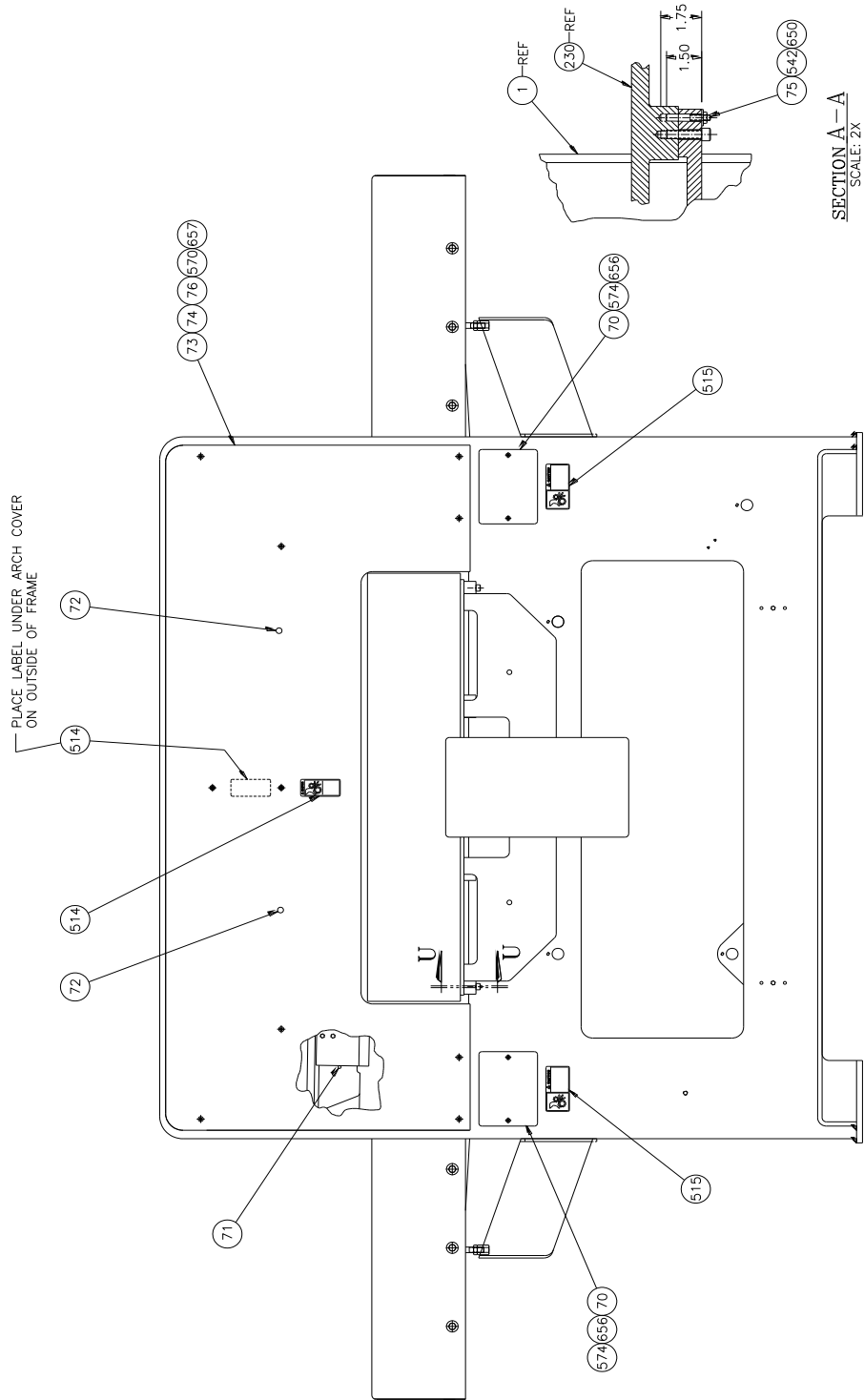
10.3 Main Assembly – Top View

49300 Sh't. 3 Rev. A



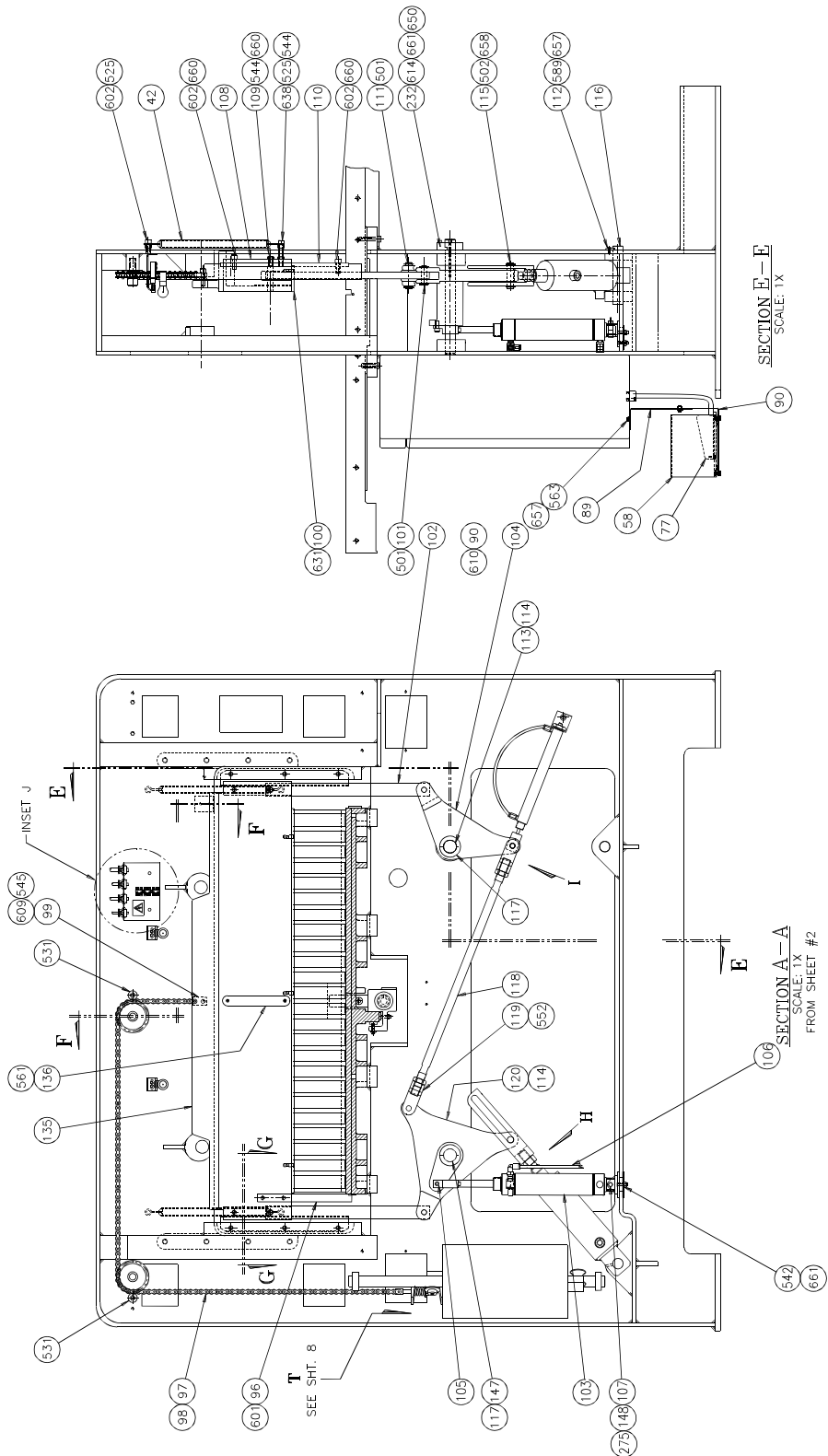
10.4 Main Assembly – Rear View

49300 Sh't. 4 Rev. A

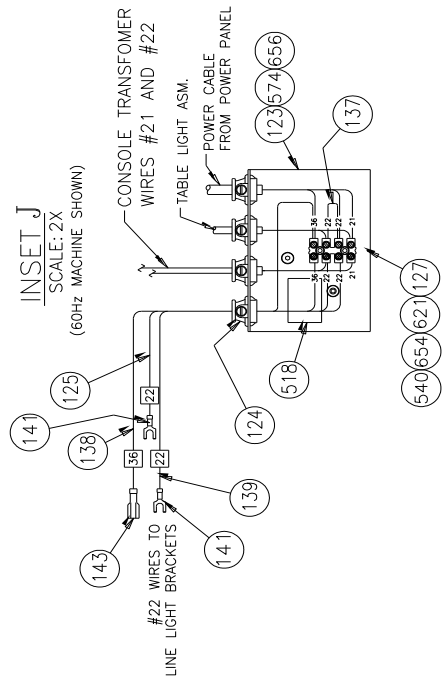


10.5 Main Assembly – Clamp

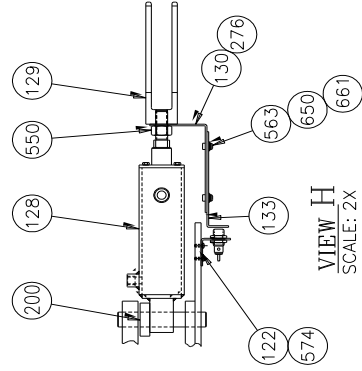
49300 Sh't. 5 Rev. A



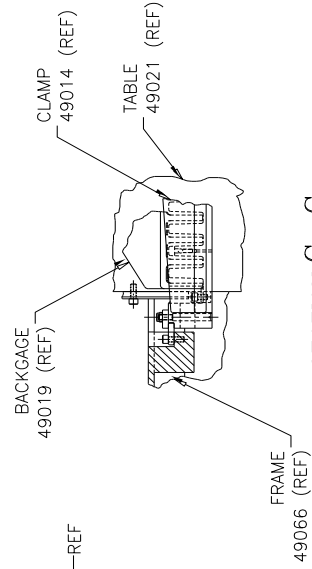
Main Assembly – Clamp – 49300 Sh't. 5 Rev. A (cont'd.)



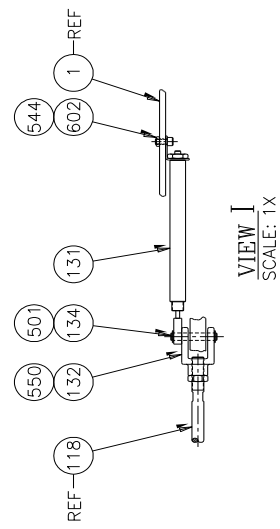
SECTION F-F
SCALE: 1X



VIEW H
SCALE: 2X



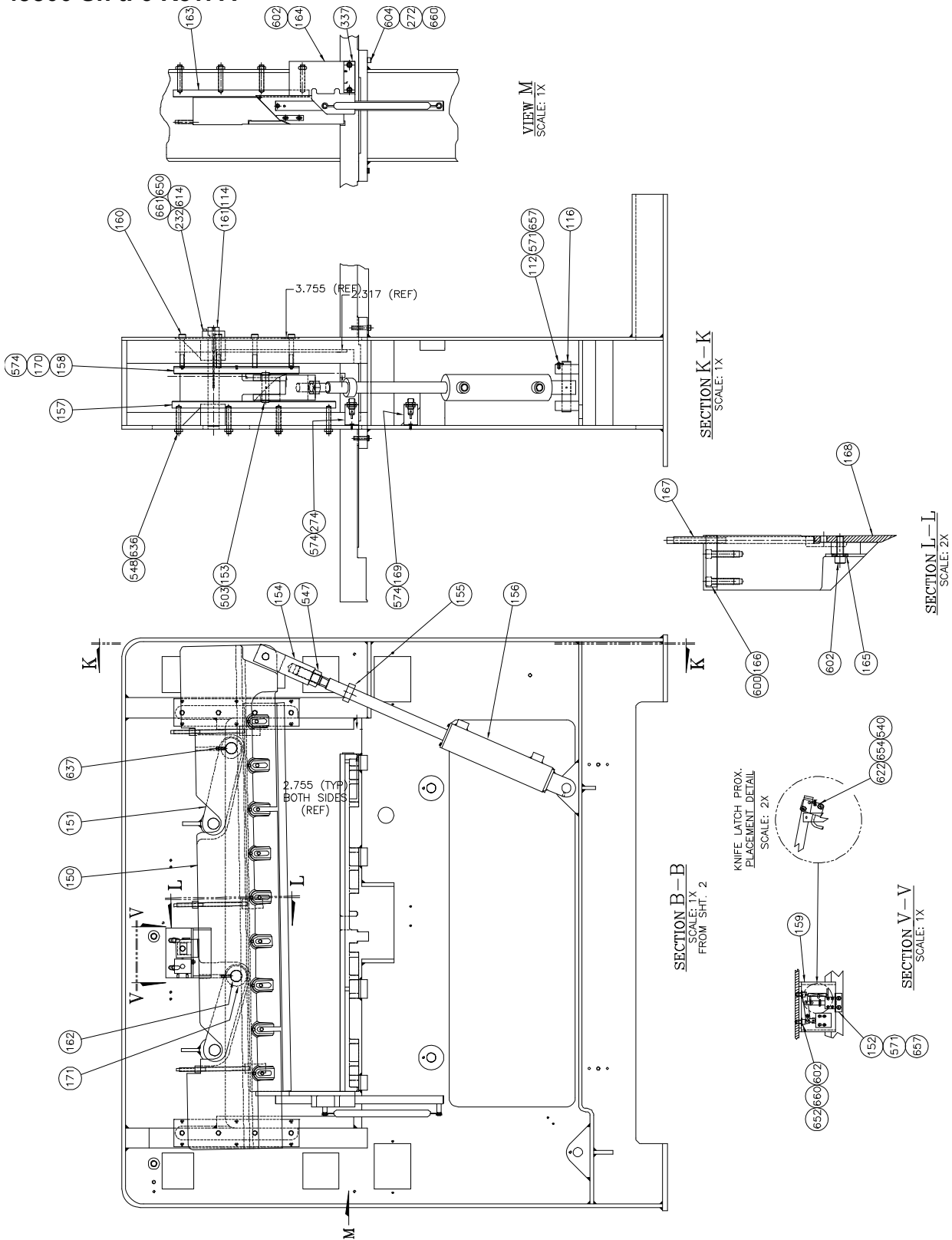
SECTION G-G
SCALE: 1X



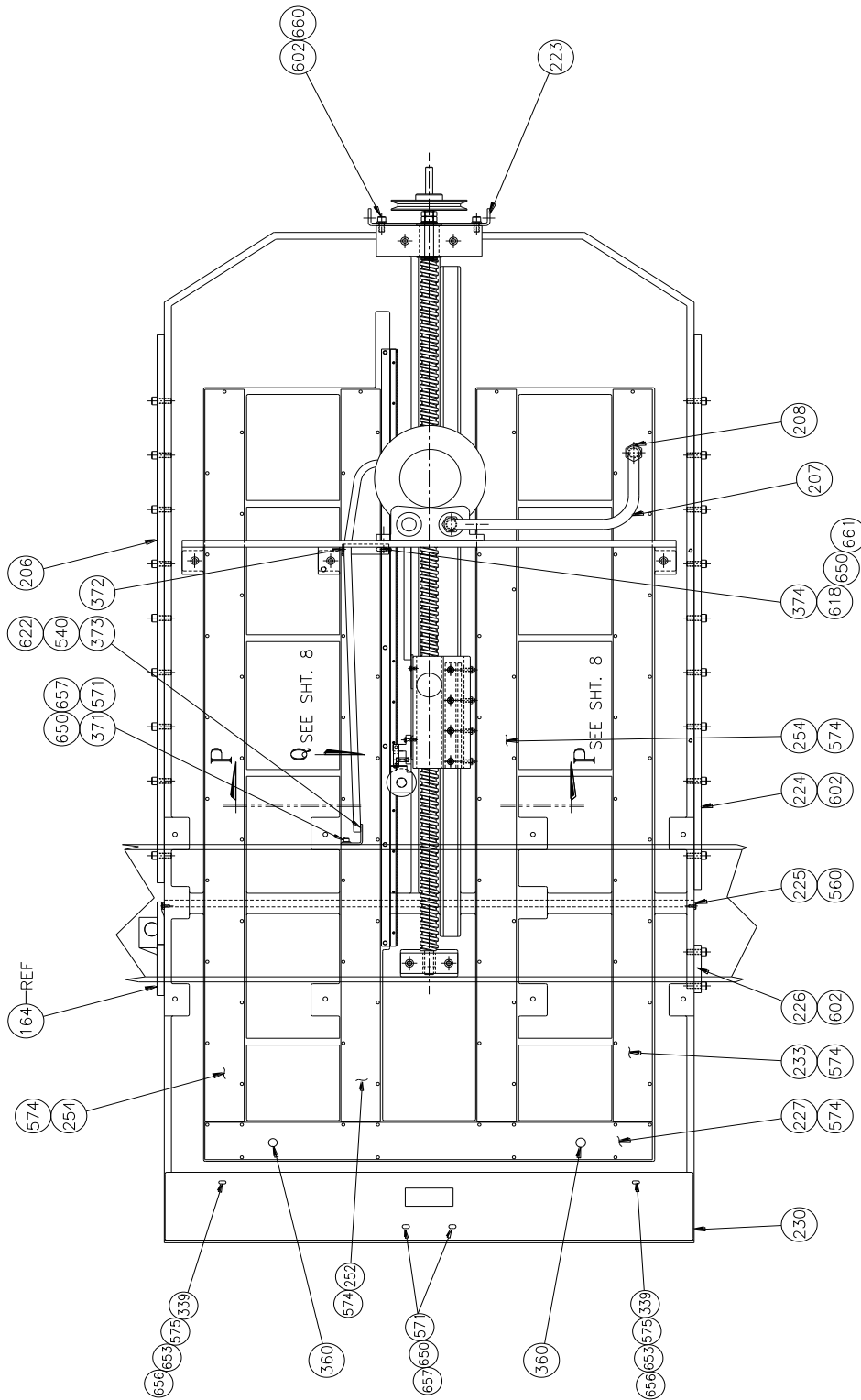
VIEW I
SCALE: 1X

10.6 Main Assembly – Knife

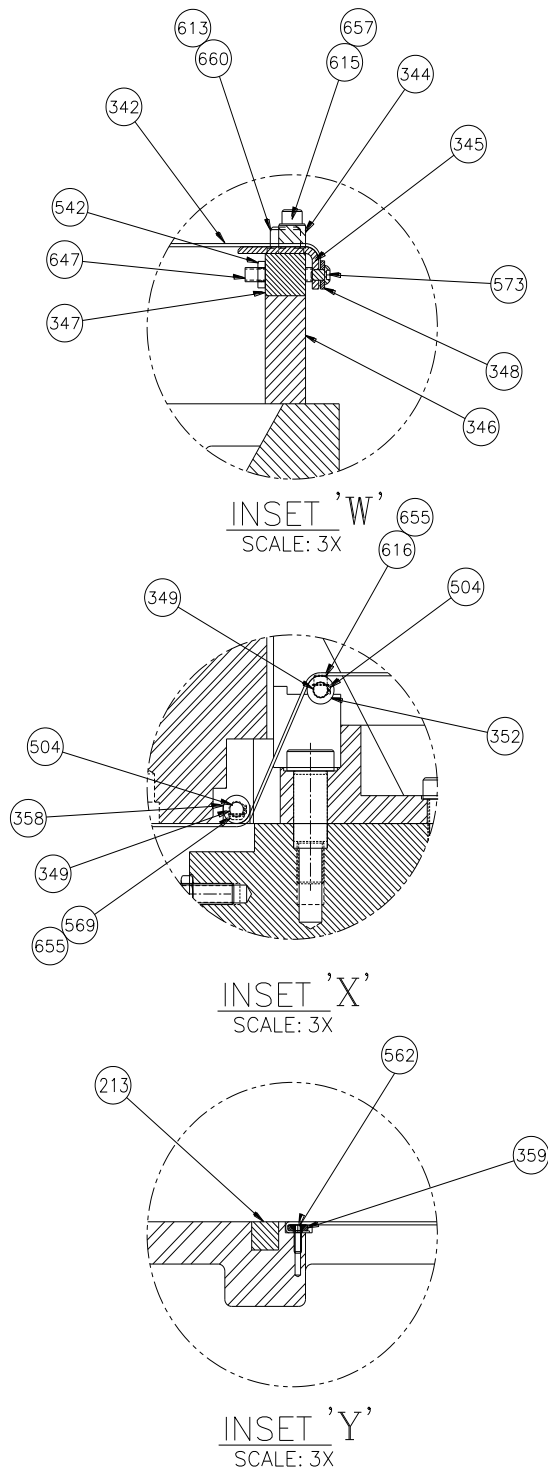
49300 Sh't. 6 Rev. A



Main Assembly – Table – 49300 Sh't. 7 Rev. A (cont'd.)

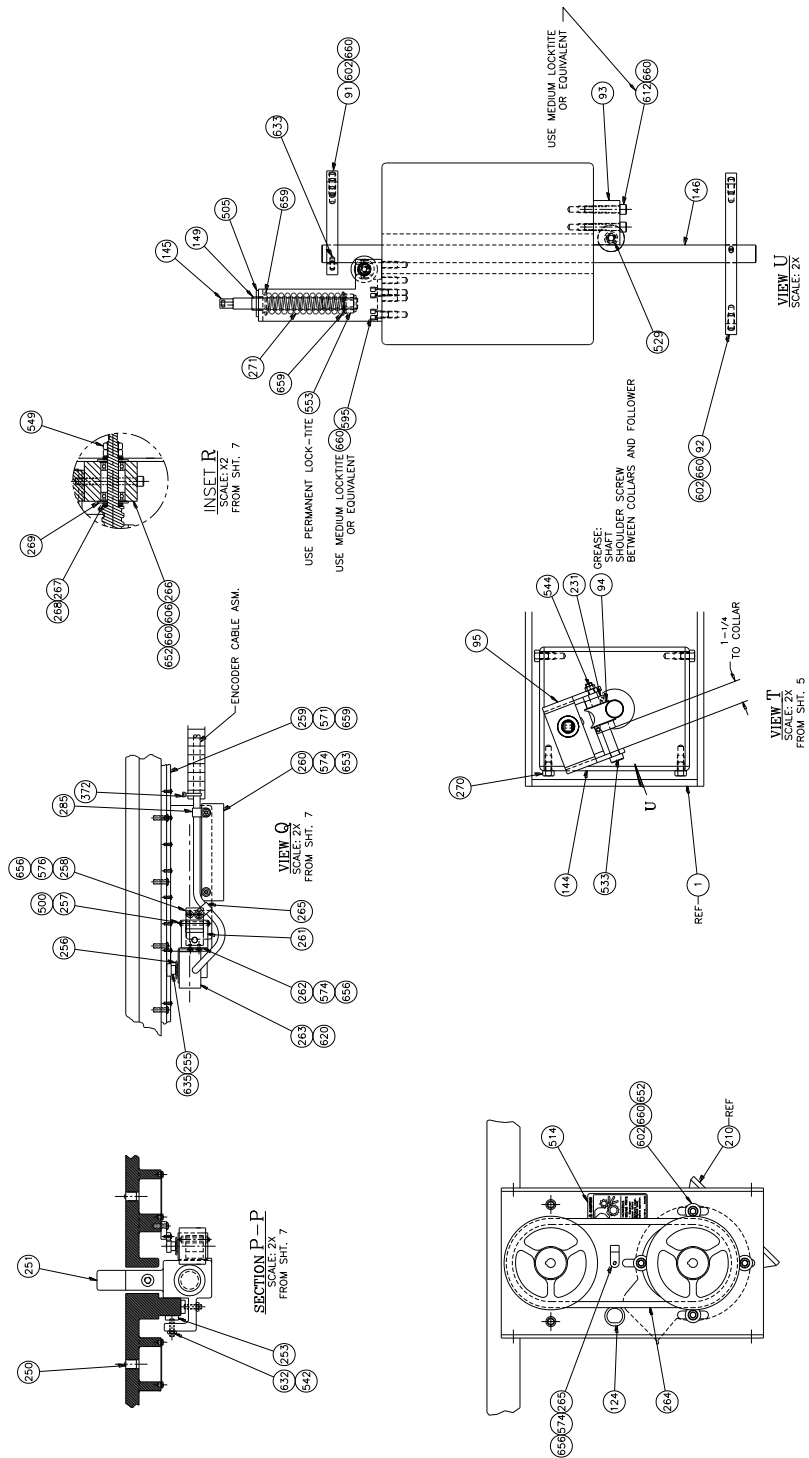


Main Assembly – Table – 49300 Sh't. 7 Rev. A (cont'd.)



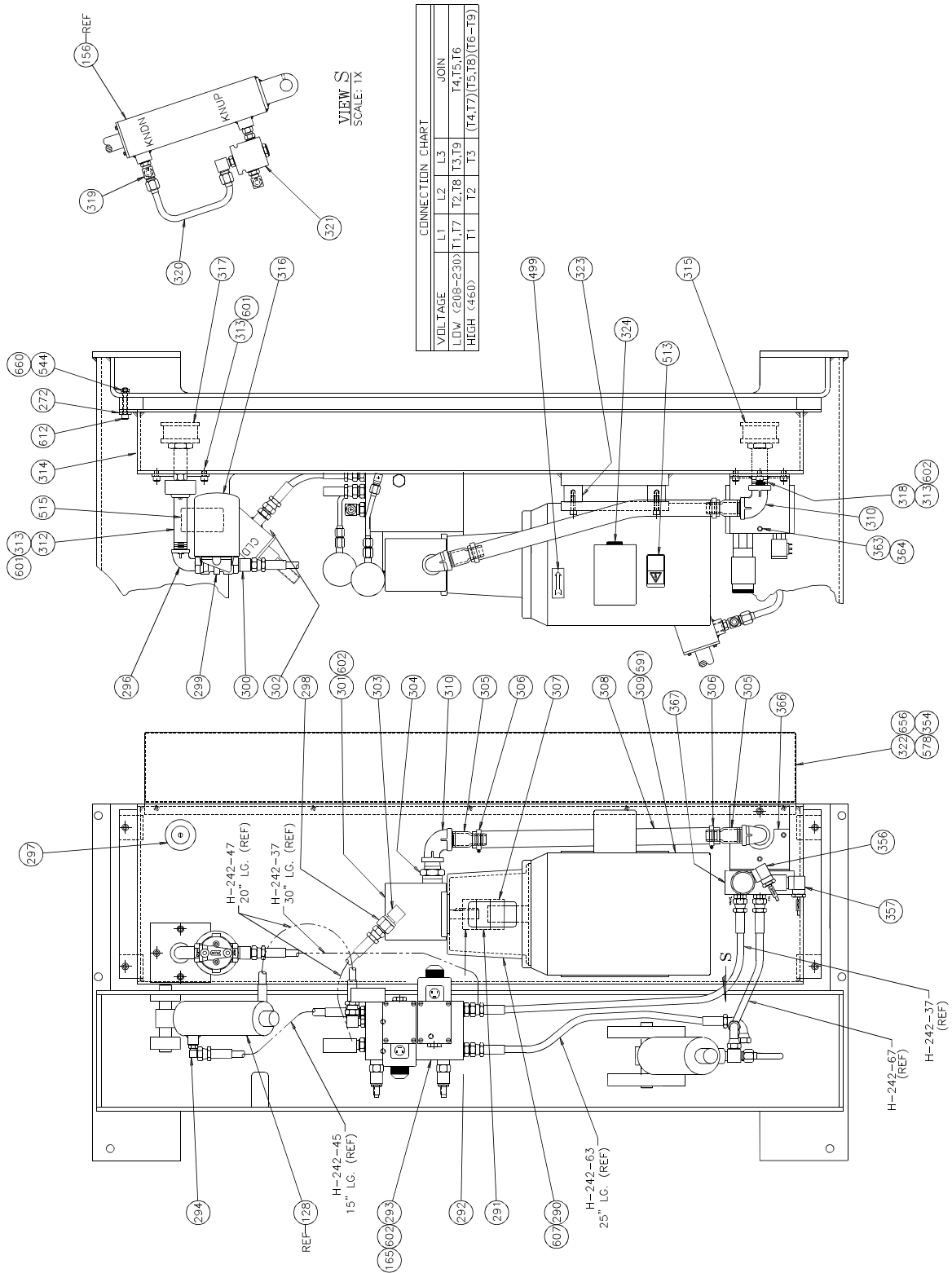
10.8 Main Assembly – Table

49300 Sh't. 8 Rev. A



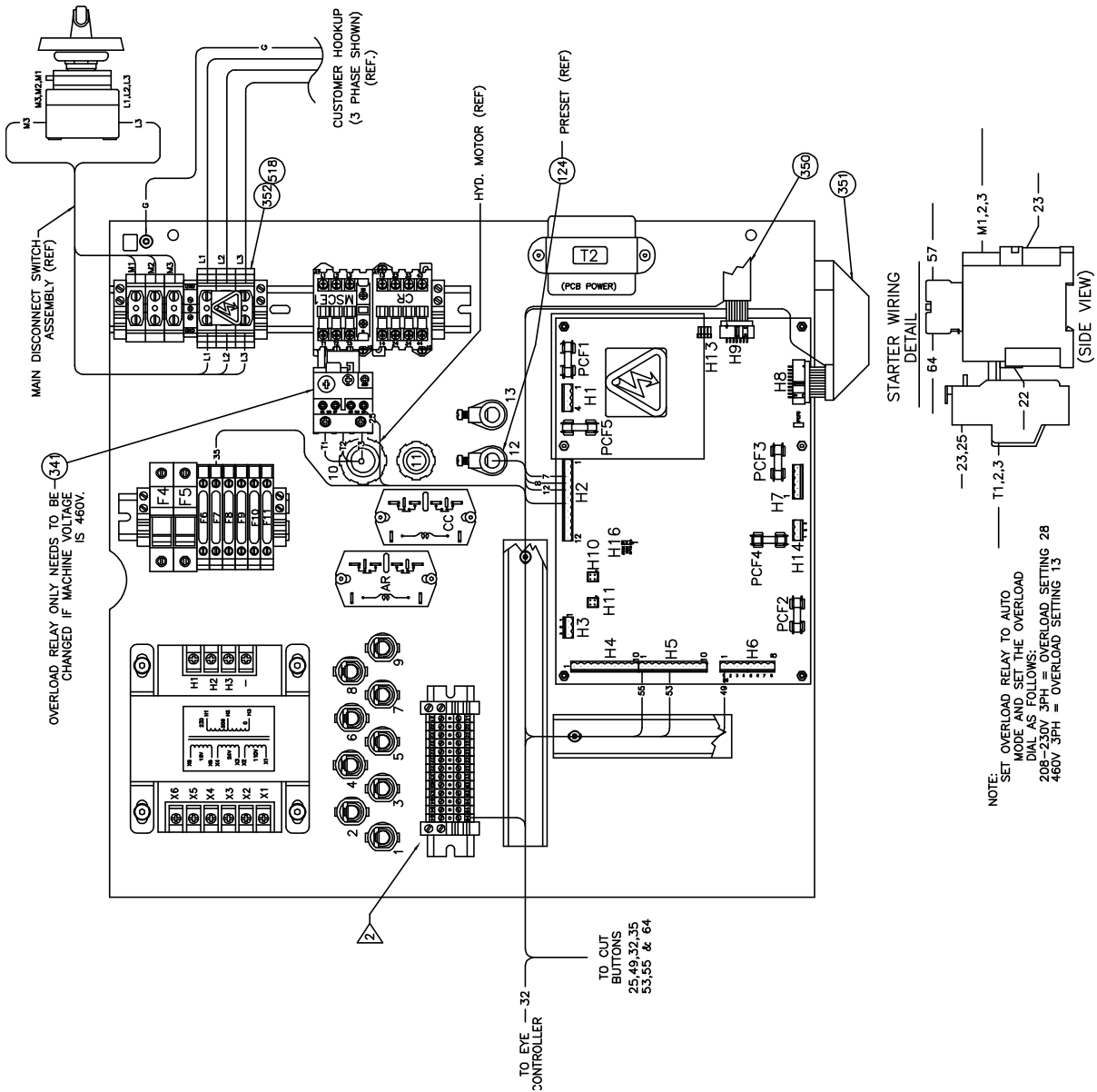
10.9 Main Assembly – Hydraulics

49300 Sh't. 9 Rev. A



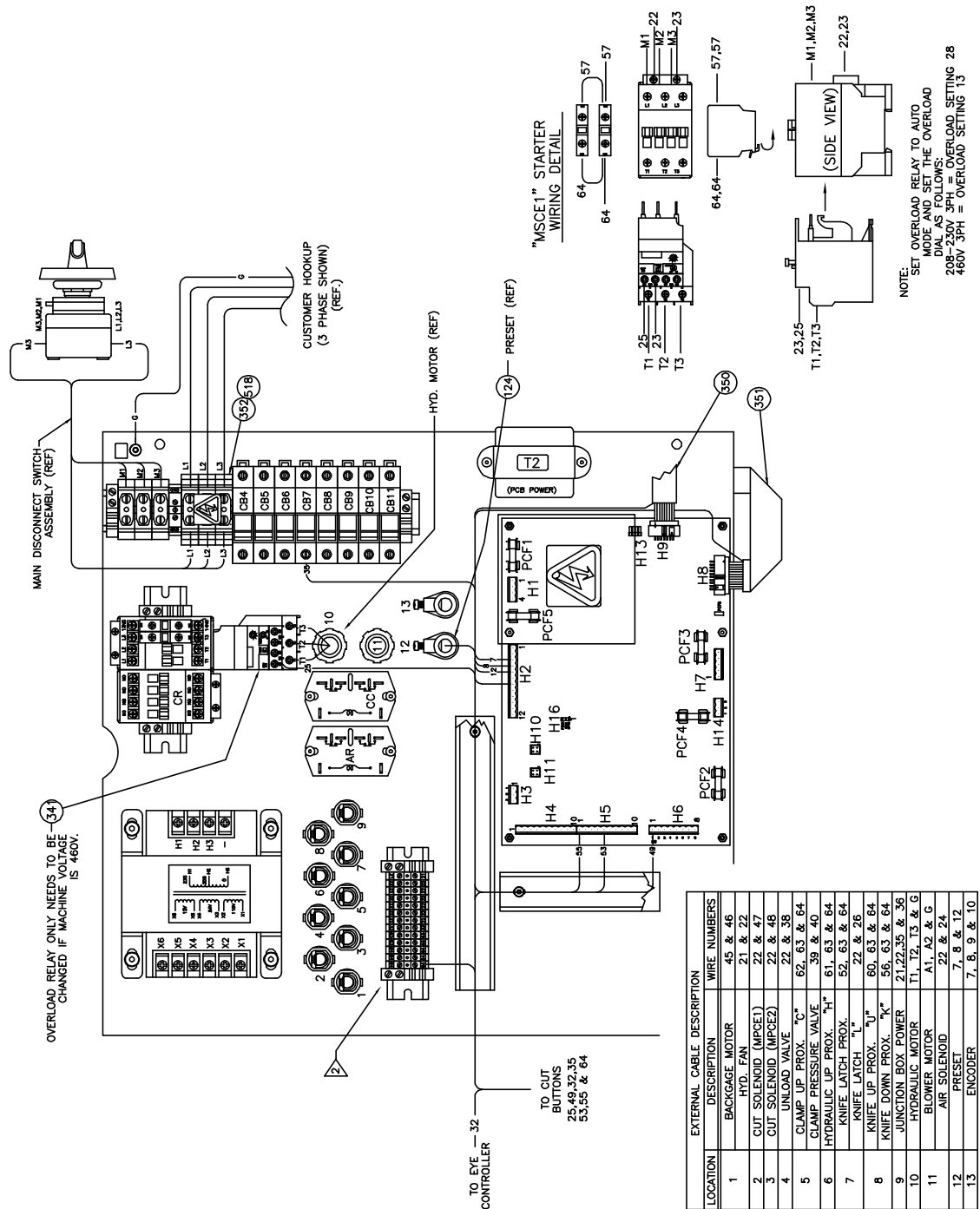
10.10 Main Assembly - Final Asm Wiring (w/Fuses)

49300 Sheet 10 Rev. A



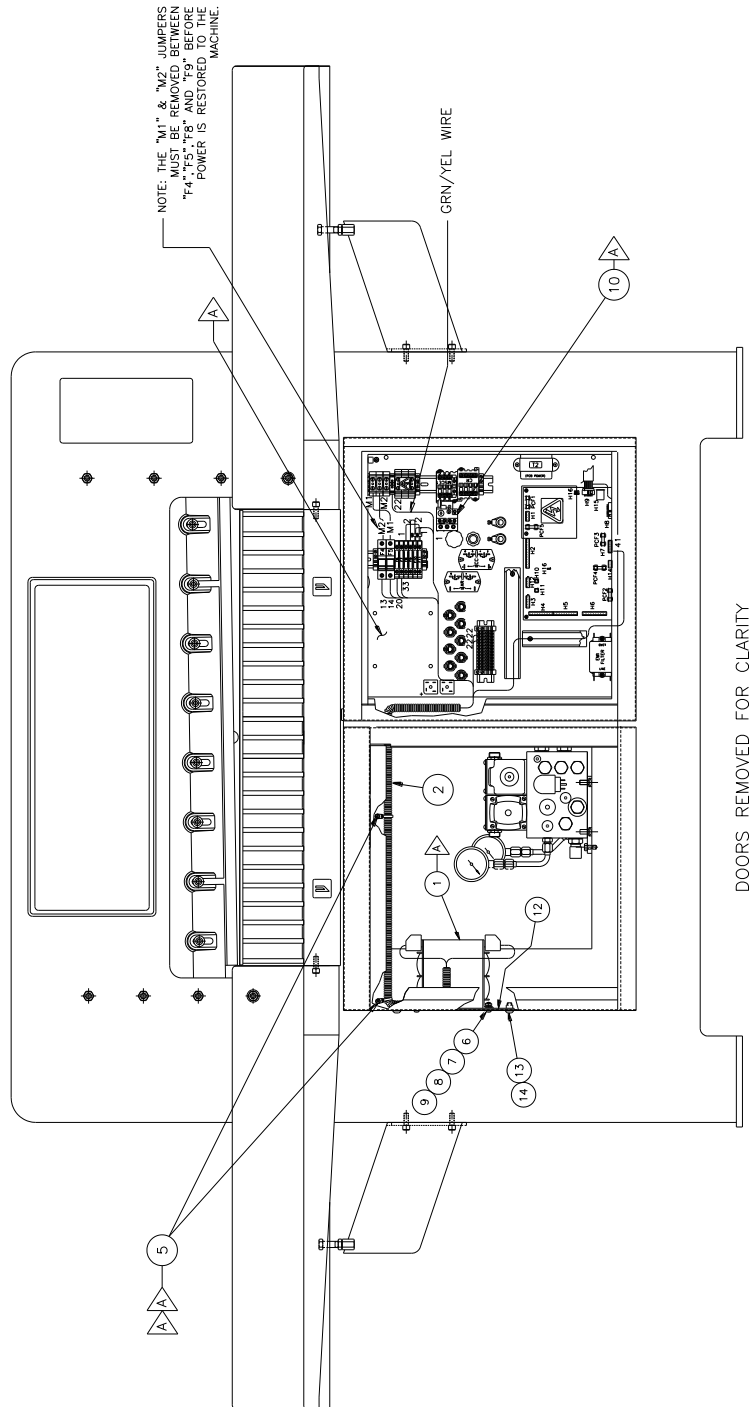
10.11 Main Assembly - Final Asm Wiring (w/Circuit Breakers)

49300 Sh't. 10 Rev. B



10.12 Main Assembly – 380/415/460 Wiring – (w/Fuses)

49300 Sh't. 11 rev. A



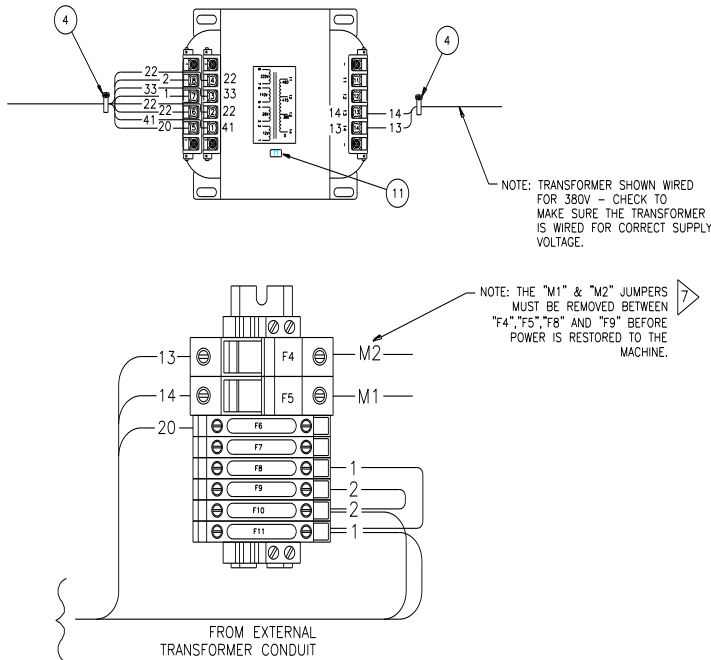
Main Assembly – 380/415/460 Wiring – w/Fuses 49300 Sh't. 11 rev.A (cont'd.)

NO.	PART NO.	DESCRIPTION OF ACCESSORIES	QTY
1	E-1089-42	TRANSFORMER – 380/415/460V PRIMARY	1
2	EE-2871-1	CONDUIT ASSEMBLY – EXT. TRANSFORMER	1
3	S-1781-11	LABEL – EURO SHOCK W/TEXT (NOT SHOWN)	1
4	S-1694	TYRAP	10
5	S-1694-3	TYRAP – SCREW MOUNTED	2
6	H-6910-406	SCREW – 1/4-20 X 5/8" BUT HD SOC CAP	4
7	H-7324-8	WASHER – 1/4" INT. TOOTHLOCK	4
8	H-7321-4	WASHER – 1/4" SAE FLAT	4
9	H-6423-4	NUT – 1/4-20 HEX	4
10	E-2441-11	RELAY – OVERLOAD, 13A TO 19A (460V)	1
	E-2441-13	RELAY – OVERLOAD, 7.5A TO 11A (380/415V)	
11	E-1584-51	LABEL – TRANSFORMER, "T1"	1
12	47648	REINFORCEMENT PLATE – TRANSFORMER	1
13	H-6910-604	SCREW – 3/8-16 X 1/2" BUT HD SOC CAP	4
14	H-7324-12	WASHER – 3/8" EXT. TOOTHLOCK	4

TRANSFORMER WIRING DETAIL

SCALE: 2X

CAUTION: DETAIL SHOWN BELOW IS FOR REF. ONLY
ALWAYS FOLLOW THE LABEL MOUNTED ON THE TRANSFORMER
AND DOUBLE CHECK WIRING BEFORE POWERING UP THE MACHINE.



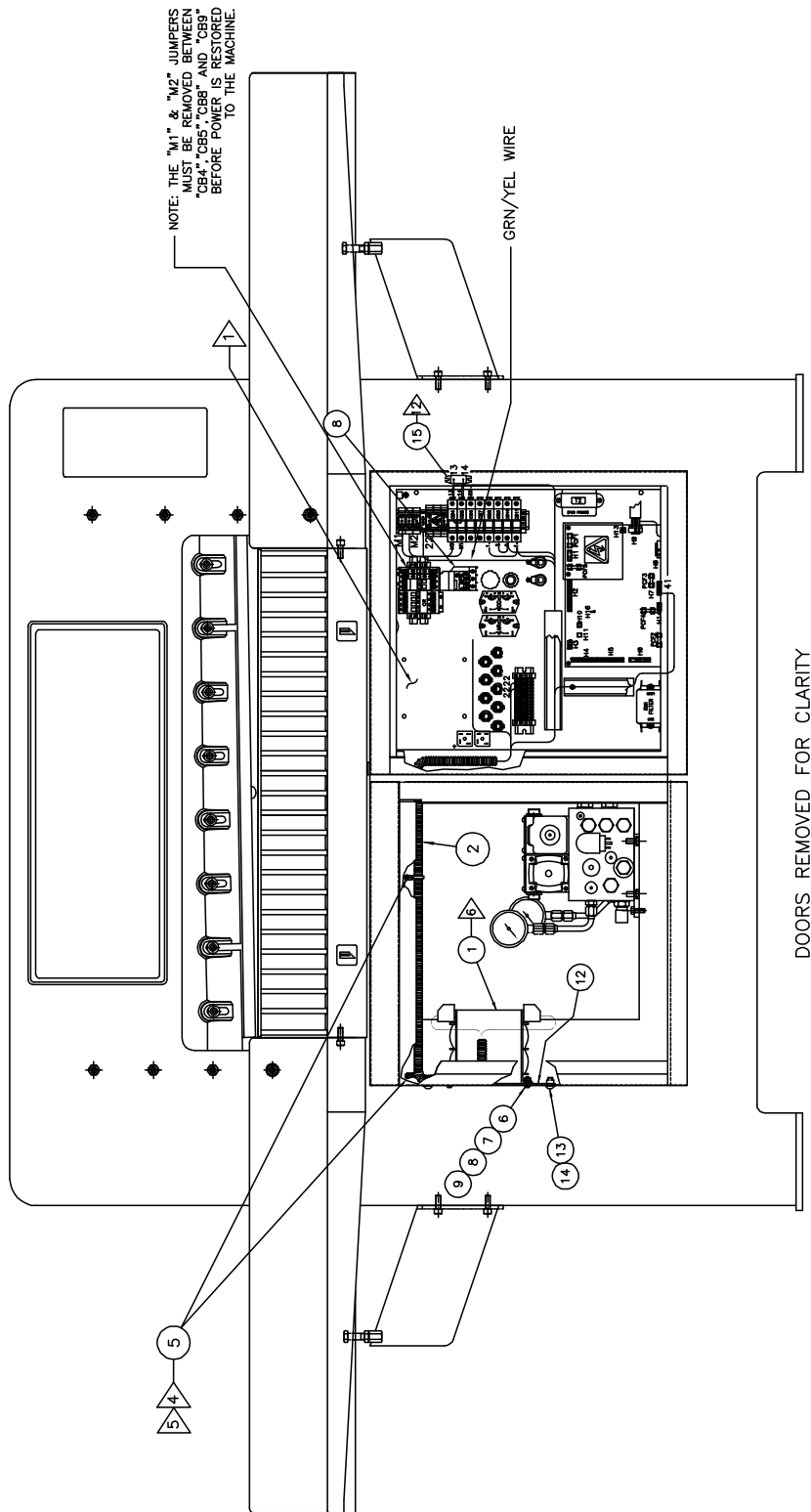
INSTRUCTIONS:

- 1) REMOVE THE EXISTING TRANSFORMER AND ALL OF THE CORRESPONDING WIRES FROM THE POWER PANEL.
- 2) MOUNT THE TRANSFORMER REINFORCEMENT PLATE (ITEM #12) TO THE UPPER LEFT SIDE OF THE FRONT ENCLOSURE (HYD SIDE). MOUNT THE NEW TRANSFORMER (ITEM #1) TO THE REINFORCEMENT PLATE.
- 3) INSTALL THE SUPPLIED ELECTRICAL SHOCK LABEL (ITEM #3) NEAR THE DOOR LOCK ON THE OUTSIDE OF THE LEFT SIDE DOOR.
- 4) INSTALL THE (2) SCREW MOUNT TYRAPS AS SHOWN IN THE DETAIL. IT MAY BE NECESSARY TO BACK THE STUDS OUT SLIGHTLY TO ALLOW TYRAP MOUNTING.
- 5) SECURE THE CONDUIT ASSEMBLY WITH THE (2) TYRAPS (INSTALLED IN STEP 4). (INSERT ONE END OF THE CONDUIT THROUGH THE HOLE IN THE WALL BETWEEN THE ENCLOSURES. THE END NEAR THE TRANSFORMER SHOULD BE INSTALLED SO IT IS HANGING ABOUT 2" FROM THE BOTTOM OF THE ENCLOSURE.
- 6) USING THE TRANSFORMER WIRING DETAIL – INSTALL THE WIRES TO THE NEW TRANSFORMER.
- 7) REMOVE THE "M1" & "M2" JUMPERS FROM "F8, F9, F10 AND F11" – SAVE FOR LATER USE.
- 8) INSTALL THE WIRES FROM THE CONDUIT ASSEMBLY TO THE APPROPRIATE LOCATIONS IN THE POWER PANEL AS SHOWN.
WIRE #13 FROM CONDUIT TO FUSE "F4"
WIRE #14 FROM CONDUIT TO FUSE "F5"
WIRE #20 FROM CONDUIT TO FUSE "F6"
WIRE #1 FROM CONDUIT TO FUSE "F11"
WIRE #2 FROM CONDUIT TO FUSE "F10"
- 9) USING "M" JUMPERS REMOVED EARLIER – RE-LABEL EACH JUMPER TO A "1" AND A "2" AND JUMPER FUSES "F8 & F11" TOGETHER AND "F9 & F10" TOGETHER.
- 10) REWIRE THE HYDRAULIC MOTOR FOR THE APPROPRIATE VOLTAGE (USE THE MANUFACTURERS WIRING DIAGRAM ON MOTOR)
- 11) REPLACE THE EXISTING OVERLOAD RELAY WITH THE SUPPLIED OVERLOAD RELAY (ITEM #10)

NOTE: SET THE OVERLOAD RELAY TO AUTO MODE AND THE DIAL AS FOLLOWS:
380V 3PH = OVERLOAD SETTING 10
415V 3PH = OVERLOAD SETTING 10
460V 3PH = OVERLOAD SETTING 13

10.13 Main Assembly – 380/415/460V Wiring (w/Circuit Breakers)

49300 Sheet 11 Rev. B



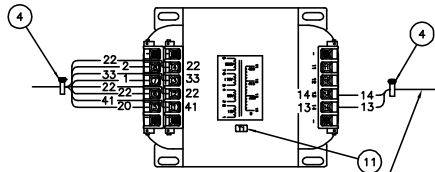
Main Assembly – 380/415/460V Wiring w/Circuit Breakers – (cont)

NO.	PART NO.	DESCRIPTION OF ACCESSORIES	QTY
1	E-1089-42	TRANSFORMER – 380/415/460V PRIMARY	1
2	EE-2871-1	CONDUIT ASSEMBLY – EXT. TRANSFORMER	1
3	S-1781-11	LABEL – EURO SHOCK W/TEXT (NOT SHOWN)	1
4	S-1694	TYRAP	10
5	S-1694-3	TYRAP – SCREW MOUNTED	2
6	H-6910-406	SCREW – 1/4-20 X 5/8" BUT HD SOC CAP	4
7	H-7324-8	WASHER – 1/4" INT. TOOTHLOCK	4
8	H-7321-4	WASHER – 1/4" SAE FLAT	4
9	H-6423-4	NUT – 1/4-20 HEX	4
10	E-2441-11	RELAY – OVERLOAD, 13A TO 19A (460V)	1
11	E-2441-13	RELAY – OVERLOAD, 7.5A TO 11A (380/415V)	
11	E-1584-51	LABEL – TRANSFORMER, "T1"	1
12	47648	REINFORCEMENT PLATE – TRANSFORMER	1
13	H-6910-606	SCREW – 3/8-16 X 3/4" BUT HD SOC CAP	4
14	H-7324-12	WASHER – 3/8" EXT. TOOTHLOCK	4
15	E-1736-5	QUENCH-ARC – PANEL MOUNT, 500V RATING	1

TRANSFORMER WIRING DETAIL

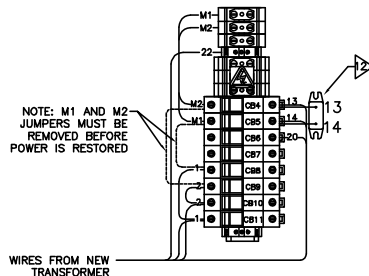
SCALE: 2X

CAUTION: DETAIL SHOWN BELOW IS FOR REF. ONLY ALWAYS FOLLOW THE LABEL MOUNTED ON THE TRANSFORMER AND DOUBLE CHECK WIRING BEFORE POWERING UP THE MACHINE.



NOTE: TRANSFORMER SHOWN WIRED FOR 380V – CHECK TO MAKE SURE THE TRANSFORMER IS WIRED FOR THE CORRECT SUPPLY VOLTAGE.

WIRING DETAIL



NOTE: M1 AND M2 JUMPERS MUST BE REMOVED BEFORE POWER IS RESTORED

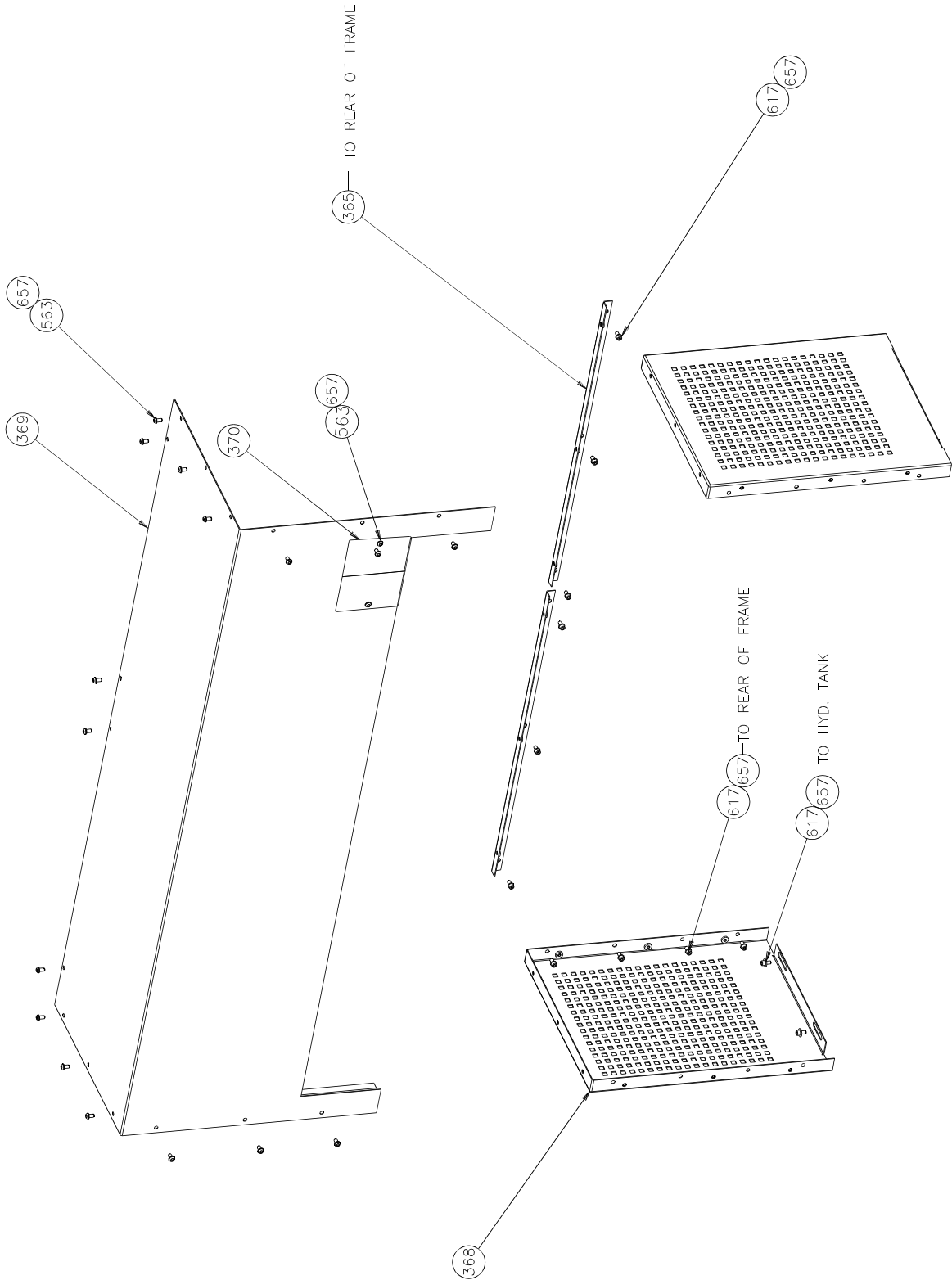
WIRES FROM NEW TRANSFORMER

INSTRUCTIONS:

- 1) REMOVE THE EXISTING TRANSFORMER AND ALL OF THE CORRESPONDING WIRES FROM THE POWER PANEL.
- 2) MOUNT THE TRANSFORMER REINFORCEMENT PLATE (ITEM #12) TO THE UPPER LEFT SIDE OF THE FRONT ENCLOSURE (HYD SIDE). MOUNT THE NEW TRANSFORMER (ITEM #1) TO THE REINFORCEMENT PLATE.
- 3) INSTALL THE SUPPLIED ELECTRICAL SHOCK LABEL (ITEM #3) NEAR THE DOOR LOCK ON THE OUTSIDE OF THE LEFT SIDE DOOR.
- 4) INSTALL THE (2) SCREW MOUNT TYRAPS AS SHOWN IN THE DETAIL. IT MAY BE NECESSARY TO BACK THE STUDS OUT SLIGHTLY TO ALLOW TYRAP MOUNTING.
- 5) SECURE THE CONDUIT ASSEMBLY WITH THE (2) TYRAPS (INSTALLED IN STEP 4). (INSERT ONE END OF THE CONDUIT THROUGH THE HOLE IN THE WALL BETWEEN THE ENCLOSURES. THE END NEAR THE TRANSFORMER SHOULD BE INSTALLED SO IT IS HANGING ABOUT 2" FROM THE BOTTOM OF THE ENCLOSURE.
- 6) USING THE TRANSFORMER WIRING DETAIL – INSTALL THE WIRES TO THE NEW TRANSFORMER.
- 7) REMOVE THE "M1" & "M2" JUMPERS FROM CIRCUIT BREAKERS "CB8, CBS, CB10 AND CB11" – SAVE FOR LATER USE.
- 8) INSTALL THE WIRES FROM THE CONDUIT ASSEMBLY TO THE APPROPRIATE LOCATIONS IN THE POWER PANEL AS SHOWN.
 WIRE #13 FROM CONDUIT TO CIRCUIT BREAKER "CB4"
 WIRE #14 FROM CONDUIT TO CIRCUIT BREAKER "CB5"
 WIRE #20 FROM CONDUIT TO CIRCUIT BREAKER "CB6"
 WIRE #1 FROM CONDUIT TO CIRCUIT BREAKER "CB11"
 WIRE #2 FROM CONDUIT TO CIRCUIT BREAKER "CB10"
- 9) USING "M" JUMPERS REMOVED EARLIER – RE-LABEL EACH JUMPER TO A "1" AND A "2" AND JUMPER CIRCUIT BREAKERS "CB8 & CB11" TOGETHER AND "CB9 & CB10" TOGETHER.
- 10) REWIRE THE HYDRAULIC MOTOR FOR THE APPROPRIATE VOLTAGE (USE THE MANUFACTURERS WIRING DIAGRAM ON MOTOR)
- 11) REPLACE THE EXISTING OVERLOAD RELAY WITH THE SUPPLIED OVERLOAD RELAY (ITEM #10)
 SET THE OVERLOAD RELAY TO AUTO MODE AND THE DIAL AS FOLLOWS:
 380V & 415V 3PH = OVERLOAD SETTING 10
 460V 3PH = OVERLOAD SETTING 8
- 12) REMOVE THE EXISTING QUENCHARC FROM CIRCUIT BREAKERS "CB4 & CBS". INSERT ONE NEW QUENCHARC WIRE BACK INTO CB4 AND THE OTHER WIRE INTO CBS – AS SHOWN. WHEN ALL THE WIRING IS COMPLETE USE THE SUPPLIED TYRAPS TO SECURE THE QUENCHARC TO THE NEARBY WIRES TO KEEP IT IN PLACE.

10.14 Main Assembly – Hydraulic Cover

49300 Sh't. 12 rev. A



10.15 Main Assembly- Parts List

49300 Sh't. 13 Rev.M

NO.	PART NO.	DESCRIPTION OF ACCESSORIES	SHT	QTY
1	49086	FRAME - MACHINED	1	1
2	47173-1	L.H. DOOR ASM.	1	1
3	47163	GASKET	1	6
4	A-8485	TABLE EXTENSION SUPPORT L.H.	1	1
5	49147	3/8" SIDE TABLE BACK PLATE L.H.	1	1
6	49128	EXTENSION TABLE - L.H.	1	1
7	49086-1	CONSOLE BRACKET	1	1
8	49088	CONSOLE BRACKET	1	1
9	S-1694-2	TIE - CABLE PIV	1	3
10	16027	EXTENSION TABLE - R.H.	1	1
11	49080	3/8" SIDE TABLE BACK PLATE R.H.	1	1
12	A-8486	TABLE EXTENSION SUPPORT R.H.	1	1
13	47033-3	FRONT ENCLOSURE ASM.	1	1
14	49083	R.H. DOOR ASM.	1	1
15	EE-3479-1	PANEL ASM. - POWER, 370TC	1	1
16	47101	FRONT ENCLOSURE LATCH	1	2
17	11145-1	BLIND RIVET - 3/16	1	4
18	11145-1	BLIND RIVET - 3/16	1	4
19	S-1781-2118	MITER	1	1
20	E-2186-11	LABEL - FRONT OF TABLE	1	2
21	16047	HINGE	1	1
41	47645-1	COMPRESSOR ASM. - S/N _____ & BELOW	1	1
42	47645-2	COMPRESSOR ASM. - S/N _____ & ABOVE	1	1
43	41130	SPRING	5	2
44	49088	SERIAL PLATE	2	3
45	49082	COVER - ARCH END	2	1
46	49082	SUPPORT - BACKGAGE SHIELD	2	1
47	49082	SUPPORT - BACKGAGE SHIELD	2	1
48	49082	SUPPORT - BACKGAGE SHIELD	2	1
49	49082	SUPPORT - BACKGAGE SHIELD	2	1
50	49082	SUPPORT - BACKGAGE SHIELD	2	1
51	49082	SUPPORT - BACKGAGE SHIELD	2	1
52	49082	SUPPORT - BACKGAGE SHIELD	2	1
53	49082	SUPPORT - BACKGAGE SHIELD	2	1
54	49082	SUPPORT - BACKGAGE SHIELD	2	1
55	49082	SUPPORT - BACKGAGE SHIELD	2	1
56	49082	SUPPORT - BACKGAGE SHIELD	2	1
57	49072	COVER - REAR TABLE	3	1
58	49072	SHIELD - BACKGAUGE	3	1
59	49072	BRACKET - BACKGAUGE SHIELD	3	2
60	E-1719	FOOT SWITCH GUARD	5	1
70	49110	ACCESS COVER	4	3
71	HH-5246-406	DOWEL PIN - 1/4 X 3/4	4	1
72	E-2186-6	PULG - HOLE	4	2
73	49085	ARCH COVER	4	1
74	E-1152-103	STANDOFF - 1/4-20 MALE TO 1/4-20 FEMALE	4	10
75	49085	ARCH COVER	4	2
76	49085	ARCH COVER	4	2
77	FE-3207	FOOT SWITCH ASSEMBLY	5	1
78	47646	FOOT SWITCH BRACKET	5	1
80	47647	FOOT SWITCH BRACKET	5	1
91	49133	SUPPORT BAR - COUNTER WEIGHT	8	1
92	49134	SUPPORT BAR - COUNTER WEIGHT	8	1
93	49135	MOUNTING BLOCK	8	1
94	49136	FOLLOWER - COUNTER WEIGHT SHAFT	8	2
95	49212	SPRING RETAINER	8	1
96	49007	PAPER GUIDE	5	1
97	49132	CHAM - WASHER	5	2
98	49140	CHAM - WASHER	5	2
100	49012	CONNECTING LINK - COUNTER WEIGHT	5	1
101	49043	FALSE CLAMP PLATE WELDMENT	5	1
102	49008	CLAMP PULL DOWN BAR	5	2
103	49244-1	AIR CYLINDER ASSEMBLY	6	1
104	49002-2	BELLOCRANK ASM - RIGHT HAND	6	1
105	49247	SCREW - 5/16-24 X 3/4 SPECIAL	5	11*
106	P-303	1/4" VINYL TUBING	5	1
107	43023-5	3/8 CLEVIS PIN WITH HARPIN	5	1
108	49009	SH - CAM WHEEL	5	2
109	49008	SH - CAM WHEEL	5	2
110	49008	BAR - CLAMP GUIDE	5	2
111	49037	PIN - BELLOCRANK / PULL DOWN BAR (5000)	5	2
112	8835	PIN KEEPER	5	2
113	49190	PIN - BELLOCRANK (41,2500)	5	1
114	S-1725-2	GREASE FITTING	5	1
115	49045	PIN - BELLOCRANK / CYLINDER CLEVIS (4,6250)	5	1
116	49036	PIN - CYLINDER (41,000)	5	2
117	A-10081-3	COLLAR - CLAMP	5	2
118	49036	CLAMP - COUNTER	5	1
119	49018	CLEVIS - BELLOCRANK / TIE ROD L.H.	5	1
120	49001-2	BELLOCRANK ASM - LEFT HAND	5	1
121	20008	SPROCKET	5	2
122	49125	PROX BRACKET - CLAMP	5	2
123	47195	BRACKET - ARCH JUNCTION	5	2
124	S-1350-16	BUSHING	5	9
125	E-709-R	WIRE - #18 GA RED MTW 22' LONG (422)	5	1
126	A-10091-11	WIRE - #18 GA RED MTW 22' LONG (422)	5	1
127	E-2628-4	TERMINAL BLOCK - 4 POLE	5	4
128	HH-489	CYLINDER - CLAMP	5	1
129	49036	CLAMP - COUNTER	5	1
130	49036	CLAMP - COUNTER	5	1
131	49036	CLAMP - COUNTER	5	1
132	49142	CLEVIS - BELLOCRANK / TIE ROD R.H.	5	1
133	49104	PROXIMITY ACTUATOR - CLAMP C/L DOWN	5	1
134	49030	PIN - BELLOCRANK / TIEROD R.H. (4,5000)	5	1
135	49014	CLAMP	5	1
136	49047	CLAMP WEAR STRIP	5	1
137	E-709-R	WIRE - #18 GA RED MTW 3' LONG (422)	5	1
138	E-709-R	WIRE - #18 GA RED MTW 20' LONG (436)	5	1
139	E-709-R	WIRE - #18 GA RED MTW 6' LONG (422)	5	1
140	E-214-4	CONNECTOR - #8 INS. LOCKING FORK (16-22)	5	2
141	E-1214-54	CONNECTOR - 1/4" FULLY INS. MALE QUICK DISC.	5	1
142	49138	COUNTER WEIGHT	8	1
143	49213	CONNECTING LINK - COUNTER WEIGHT	8	1
144	49153	SHAFT - COUNTER WEIGHT	8	1
145	49191	PIN - BELLOCRANK (41,2500)	5	1
146	49240	CYLINDER MOUNTING BRACKET - BOTTOM	5	1
147	49257-17	BEARING - 5/8	8	1
148	49053	KNIFE BAR	6	1
149	49139	KNIFE BAR	6	1
150	49032	KNIFE BAR	6	1
151	49032	KNIFE BAR	6	1
152	49032	KNIFE BAR	6	1
153	49032	KNIFE BAR	6	1
154	49077	CLEVIS - KNIFE CYLINDER	6	1
155	A-10844-8	COLLAR	6	1
156	H-500-1	KNIFE CYLINDER	6	1
157	49051	GB - KNIFE BAR - FRONT R.H.	6	1
158	49124	GB - KNIFE BAR - REAR	6	2
159	49228-1	KNIFE LATCH ASSEMBLY	6	1
160	49122	SCREW - REAR KNIFE GIB DEPTH	6	8
161	49035	PIN - KNIFE LINK / FRAME (41,2500)	6	2
162	49035	PIN - KNIFE LINK / FRAME (41,2500)	6	2
163	49128	GB - KNIFE BAR - FRONT L.H.	6	2
164	49115	PAPER DEFLECTOR	6	1
165	8815	WASHER - KNIFE BAR SCREW	6	1
166	49144	BRACKET - KNIFE ADJUSTING SCREW	6	3
167	49145	KNIFE ADJUSTING SCREW	6	3
168	49055	KNIFE	6	2
169	49097	PROX BRACKET - KNIFE	6	1
170	49123	LOCATOR PLATE - REAR GIB	6	2
171	49158	SHIM - WASHER	6	4
172	A-10081-5	COLLAR - TIE ROD PIECE	6	1
173	49036	CLAMP - COUNTER	6	1
203	EE-344A	BREAST PROX. ASM. W/BRACKET	7	1
204	49041	NUT - LEADScrew	7	1
205	49026	TABLE BRACE	7	1
206	49023	PAPER GUIDE - REAR TABLE - R.H.	7	1
207	E-2189-2	TUBING - CORRUGATED, FLEXIBLE 3/4" X 3/2" LONG	7	1
208	49036	CLAMP - COUNTER	7	1
209	49083	BLOWER ASSEMBLY	7	1
210	E-1600-149	MOTOR	7	1
211	E-1237-1	WIRE NUT - YELLOW	7	1
212	EE-3383-1	CUT BUTTON ASM.	7	1
213	4173	CUT STICK	7	1
214	S-448	SCREW - LIGHT ASM.	7	1
215	S-448	SCREW - LIGHT ASM.	7	1
216	E-967-1	LAMP - LINE LIGHT	7	2
217	EE-2778	LINE LIGHT ASM.	7	1
218	49019	BACKGAUGE (S/N 15989 & BELOW)	7	1
219	A-12616-1	BACKGAUGE (S/N [] -151000 & UP)	7	1
220	20266-6123	PULLEY - DRIVEN	7	1
221	47055	KEY - 1/8 SQ	7	1
222	13927-1	COVER - BACKGAUGE DRIVE	7	1
223	47054	PULLEY - DRIVE	7	1
224	47054	BACKGAUGE MOTOR BRACKET	7	1
225	49027B	STOP CUT SWITCH TABLE - L.H.	7	2
226	49027B	PAPER GUIDE - FRONT TABLE - R.H.	7	1
227	49074	AIR CHANNEL COVER - SHORT	7	1
228	EE-2779-1	LINE LIGHT ASM.	7	1
229	49129	LINE LIGHT BRACKET	7	2
230	49021	TABLE	7	1
231	A-10081-2	COLLAR - 1/2	8	2
232	49169	COLLAR - PIN RETAINING	5,6	4
233	49169	AIR CHANNEL COVER	7	1
234	47269	3/32 UHMW TPE - 3/8" WIDE	7	1
235	49034	BACKGAUGE NUT	8	48
236	49034	BACKGAUGE NUT	8	1
237	49034	BACKGAUGE NUT	8	1
238	49034	BACKGAUGE NUT	8	1
239	49034	BACKGAUGE NUT	8	1
240	49034	BACKGAUGE NUT	8	1
241	49034	BACKGAUGE NUT	8	1
242	49034	BACKGAUGE NUT	8	1
243	49034	BACKGAUGE NUT	8	1
244	49034	BACKGAUGE NUT	8	1
245	49034	BACKGAUGE NUT	8	1
246	49034	BACKGAUGE NUT	8	1
247	49034	BACKGAUGE NUT	8	1
248	49034	BACKGAUGE NUT	8	1
249	49034	BACKGAUGE NUT	8	1
250	49034	BACKGAUGE NUT	8	1
251	49034	BACKGAUGE NUT	8	1
252	49034	BACKGAUGE NUT	8	1
253	49034	BACKGAUGE NUT	8	1
254	49034	BACKGAUGE NUT	8	1
255	49034	BACKGAUGE NUT	8	1
256	E-2488-3	ENCODER	7	1
257	49263	ENCODER BRACKET	7	1
258	E-1152-40	STANDOFF	7	2
260	49090	TRIGGER - PRE-SETTER	8	1
261	49090	TRIGGER - PRE-SETTER	8	1
262	49090	TRIGGER - PRE-SETTER	8	1
263	49090	TRIGGER - PRE-SETTER	8	1
264	47538	V-BELT	8	1
265	E-968-2	CLIP - WIRE	7,8	4
266	49099	PULLOW BLOCK ASM. - REAR	8	1
267	S-1300-4	NEEDLE THRUST BEARING	8	2
268	S-1295-8	THRUST WASHER	8	2
269	47503	WASHER - PULLOW BLOCK	8	4
270	HH-6881-606	BOLT - 3/8-16 X 3/8 NYLON HEX HD.	8	4
271	49214	SPRING - COUNTER WEIGHT	8	1

10.16 Main Assembly- Parts List

49300 Sh't. 14 Rev. B

NO.	PART NO.	DESCRIPTION OF ACCESSORIES	SHT	QTY
351	EE-2855-17	CABLE ASSEMBLY - SHIELDED RIBBON 20 COND.	10,11	1
352	47588	CROWNED PULLEY	7	1
353	EE-2846	WIRE ASSEMBLY - EURO STARTER	11	1
354	E-1369-5	COVER - JUNCTION BOX	9	1
355	E-2805-6	STARTER (EURO CUTTER ONLY)	11	1
356	EE-2806	CABLE ASSEMBLY - SOLENOID (VALVE)	9	REF
357	EE-2806-1	CABLE ASSEMBLY - SWITCH	9	REF
358	47601	STRAIGHT PULLEY	7	1
359	47587	BELT CLAMP	7	1
360	H-6650-6	PLUG - PLASTIC NPT	7	2
361	H-242-37	HOSE - HYDRAULIC, 30" LONG	9	REF
362	H-242-67	HOSE - HYDRAULIC, 22" LONG	9	REF
363	H-6813-606	BOLT - 3/8-16 X 3/4 HEX HD	9	2
364	H-7327-12	WASHER - 3/8 LOCKWASHER	9	2
365	49164	MOTOR GUARD BRACKET	13	2
366	49193	BRACKET - VALVE	9	1
367	49195	VALVE ASSEMBLY - KNIFE FLOW CONTROL	9	1
368	49165	MOTOR GUARD- SIDE	13	2
369	49166	MOTOR GUARD	13	1
370	49215	BREATHER ACCESS COVER	13	1

NO.	PART NO.	DESCRIPTION OF ACCESSORIES	SHT	QTY
272	49172	HARDENED WASHER - EXTRA THICK	6,7	8
273	10065	STEEL FLOATING FINGER (S/N 15999 & BELOW)	7	10
274	60204	NYLON FLOATING FINGER (S/N J-151000 & UP)	7	24
275	49222	KNIFE UP PROX BRACKET	7	1
276	49241	CYLINDER MOUNTING BRACKET- TOP	5	1
277	H-215-125-0500	ROLL PIN - 1/8 DIA. X 1/2	5	1
290	49146	C-FACE MOTOR / PUMP ADAPTER	9	1
291	49151	BUNA-N SPIDER	9	1
292	49152-1	SPIDER COUPLING 3/4 DIA. BORE	9	1
293	H-512-1	MANIFOLD ASM.	9	1
294	H-230-6	ELBOW - O-RING TO TUBE (649-F50-8x6)	9	2
295	SU-32-106	VAPOR CAPSULE	7	2
296	H-5511-12	ELBOW - STREET 90° - 3/4 NPT TO 3/4 NPT	9	1
297	H-287-2	BREATHER	9	1
298	H-514-10x8	TUBE REDUCER - #10 TO #8 (2406-10-8-NWO)	9	1
299	H-226-1	FILTER HEAD	9	1
300	H-515-8x12	ADAPTER - TUBE TO NPT (648-F5-8x12)	9	1
301	H-513	PUMP - V20 7 GPM (PART # V20-1P75-1D)	9	1
302	49192	PUMP - V20 8 GPM (FOR 50 HZ MACHINE)	9	1
303	H-230-9	ELBOW - O-RING TO TUBE (649-F50-10x12)	9	1
304	H-256-3	PIPE ADAPTER- 1-1/4 TO 1, NPT (245A-20x16)	9	1
305	H-491	HOSE BARB - ZINGA	9	2
306	H-489	HOSE CLAMP	9	2
307	49152-2	SPIDER COUPLING - 1-3/8 DIA. BORE	9	1
308	H-242-62	HOSE - 1" I.D. X 22" LOW PRESSURE	9	1
309	E-1600-138	LESSON MOTOR- 10 HP (PART # 150172)	9	1
310	H-5510-16	ELBOW 90° - 1" NPT TO 1" NPT	9	2
312	49111	PLATE - RESEVOIR COVER	9	1
313	49075	GASKET	9	2
314	49141	HYDRAULIC RESERVOIR	9	1
315	H-238-4	STRAINER	9	1
316	H-227-1	FILTER	9	1
317	H-338	DIFFUSER - RETURN LINE	9	1
318	49069	PLATE - RESERVOIR COVER	9	1
319	H-435-1	TEE - O-RING TO TUBE TO TUBE (651-F50-8x8)	9	1
320	H-510-1	TUBE ASM. - #6 TUBE TO #8 TUBE	9	1
321	H-509-1	COUNTER BALANCE VALVE ASM.	9	1
322	49155	COOLING FAN ASM.	9	1
323	40016-5	MOUNT - VIBRATION	9	4
324	E-2873	BUSHING - REDUCER, CONDUIT	9	1
325	49206	FALSE CLAMP PLATE SHEATH ASM.	1	1
326	E-1172-15	BUSHING	1	2
327	49208	LEADSCREW COVER- FORWARD	2	1
328	49207	LEADSCREW COVER- REARWARD	2	1
329	E-3356	CONTROLLER - ELECTRIC EYE	1	1
330	16047	HINGE	3	1
331				
332				
333	EE-3339	ASM. - CONTROLLER/EYE	3	1
334	E-2810	POWER SUPPLY - 24V OUTPUT	1	1
335	E-2070-1	END BRACKET - TERMINAL BLOCK	1	2
336	E-1977-23	RAIL - TERMINAL BLOCK, 5" LONG	1	1
337	49223	BACKER PLATE	06	1
338	49249	BACKGAUGE CONTROL ASSEMBLY	1	1
339	49255-1	STAND-OFF - #10-24 X 2-3/4	7	2
340				
341	E-2441-18	OVERLOAD RELAY - 1.3A TO 16A (460V)	10	1
342	E-2441-20	OVERLOAD RELAY - 7.6A TO 10A (380/415)	10	1
343	49199	SLOT CLOSURE BELT	7	1
344	47593	HOLD DOWN BLOCK	7	1
345	47604	TENSION BRACKET	7	1
346	49197	RETAINER SUPPORT BLOCK	7	2
347	49198	RETAINER CROSS SUPPORT	7	1
348	47598	BELT RETAINER	7	1
349	47597	PIN- PULLEY	7	2
350	EE-2855-18	CABLE ASSEMBLY - SHIELDED RIBBON 14 COND.	10,11	1

10.17 Main Assembly- Parts List

49300 Sh't. 15 Rev. E

NO.	PART NO.	DESCRIPTION OF ACCESSORIES	SHT	QTY
499	S-1106	LABEL - RED ARROW	9	1
500				
501	S-1193-50	ERING - 1/2	5	8
502	S-1073-62	RETAINING RING- 5/8 EXTERNAL	5,6	2
503	S-1193-75	ERING - 3/4	6	2
504	S-1073-25	RETAINING RING- 1/4 EXTERNAL	7	4
505	H-6450-75	RETAINING RING- 3/4 PUSH-ON	8	1
506	H-5246-406	DOWEL - PIN 1/4 X 3/4	7	1
510	S-1781-116	LABEL	1	1
511	S-1781-11	LABEL - SHOCK HAZARD	1,2	2
513	S-1781-12	LABEL - ELECTRICAL SHOCK HAZARD	7,9	4
514	S-1781-15	LABEL	2,4,8	5
515	S-1781-16	LABEL - CRUSH HAZARD	1,4,9	5
517	S-1781-25	LABEL - INSTRUCTION	1	1
518	S-1781-50	LABEL - SHOCK HAZARD "EURO"	-	4
519	S-1781-230	LABEL - POWER CONNECTION PROCEDURE	1	1
520	S-1781-42	LABEL- GROUND	1	1
525	H-5247-6	FLEX LOCK NUT - 3/8-16	8	3
529	H-5254-810	SHOULDER SCREW - 1/2 DIA. X 1-1/4 SOC. HD.	8	1
530	H-5254-608	SHOULDER SCREW - 3/8 DIA. X 1 SOC. HD.	2,8	2
531	H-5254-822	SHOULDER SCREW - 1/2 X 2-3/4 SOC. HD.	5	2
532	H-5254-1010	SHOULDER SCREW - 5/8 X 1-1/4 SOC. HD.	7	1
533	H-5254-830	SHOULDER SCREW - 1/2 X 3-3/4 SOC. HD.	8	1
540	H-6423-#4	NUT - #4-40 HEX KEP	5,6	5
541	H-6423-#10	NUT - #10-24 HEX KEP	1	19
542	H-6423-4	NUT - 1/4-20 HEX KEP	1,4,8	25
543	H-6417-5	NUT- 5/16-18 HEX	1	4
544	H-6424-6	NUT - 3/8-16 HEX JAM	-	24
545	H-6424-8	NUT - 1/2-13 HEX JAM	5	1
546	H-6423-#6	NUT - #6-32 HEX KEP	7	2
547	H-6427-16	NUT - 1-14 HEX	6	1
548	H-6428-8	NUT - 1/2-20 HEX JAM	1,6	10
549	H-6428-10	NUT - 5/8-18 HEX JAM	8	2
550	H-6428-12	NUT - 3/4-16 HEX JAM	5	2
551				
552	H-6434-12	NUT - 3/4-16 L.H. HEX	5	1
553	H-6442-10	NUT- 5/8-11 HEX NYLOC	8	1
560	H-6909-83203	SCREW - #8-32 X 3/8 FLT. HD.	7	2
561	H-6897-102403	SCREW - #10-24 X 3/8 NYLOC F.H.S.C.	5	2
562	H-6909-63204	SCREW- #6-32 X 1/2 FLAT HD	13	2
563	H-6910-404	SCREW- 1/4-20 X 1/2 BHC	-	29
569	H-6910-83204	SCREW- #8-32 X 1/2 BHC	7	2
570	H-6910-403	SCREW - 1/4-20 X 3/8 BUTT. HD.	2,4	12
571	H-6910-404	SCREW - 1/4-20 X 1/2 BUTT. HD.	-	23
573	H-6910-102402	SCREW- #10-24 X 1/4 BHC	7	2
574	H-6910-102403	SCREW - #10-24 X 3/8 BUTT. HD.	-	135
575	H-6910-102404	SCREW- #10-24 X 1/2 BUTT. HD.	1,3,7	20
576	H-6910-102406	SCREW - #10-24 X 3/4 BUTT. HD.	7,8	14
577	H-6910-102408	SCREW - #10-24 X 1 BUTT. HD.	1	3
578	H-6910-406	SCREW - 1/4-20 X 3/4 BUTT HD.	3,9	11
579	H-6910-404SS	SCREW- 1/4-20 X 1/2 BHC STAINLESS	3	8
590	H-6913-608	BOLT - 3/8-16 X 1 HEX HD.	1	12
591	H-6913-610	BOLT - 3/8-16 X 1-1/4 HEX HD.	9	4
592	H-6913-612	BOLT - 3/8-16 X 1-1/2 HEX HD.	7	1
593	H-6913-818	BOLT - 1/2-13 X 2-1/4 HEX HD.	1	2
594	H-6913-606	BOLT - 3/8-16 X 3/4 HEX HD	1	2
595	H-6911-606	SCREW- 3/8-16 X 3/4 GRADE 8 HEX	8	2

NO.	PART NO.	DESCRIPTION OF ACCESSORIES	SHT	QTY
600	H-6918-508	SCREW - 5/16-18 X 1 SHCS	6	6
601	H-6918-605	SCREW - 3/8-16 X 5/8 SHCS	5,9	7
602	H-6918-608	SCREW - 3/8-16 X 1 SHCS	-	69
603	H-6918-610	SCREW - 3/8-16 X 1-1/4 SHCS	5,9	4
604	H-6918-612	SCREW - 3/8-16 X 1-1/2 SHCS	6,7	4
605	H-6918-616	SCREW - 3/8-16 X 2 SHCS	5	4
606	H-6918-628	SCREW - 3/8-16 X 3-1/2	7,8	2
607	H-6918-806	SCREW - 1/2-13 X 3/4 SHCS	9	4
608	H-6918-1016	SCREW - 5/8-11 X 2 SHCS	5	2
609	H-6918-810	SCREW - 1/2-13 X 1-1/4 SHCS	5	1
610	H-6910-604	SCREW- 3/8-16 X 1/2 BHC	1	2
611	H-6910-504	SCREW- 5/16-18 X 1/2 BHC	1	4
612	H-6918-620	SCREW - 3/8-16 X 2-1/4 SHCS	8	8
613	H-6918-624	SCREW- 3/8-16 X 3" SHC	7	2
614	H-6918-410	SCREW- 1/4-20 X 1-1/4 SHC	5,6	8
615	H-6918-408	SCREW- 1/4-20 X 1" SHC	7	2
616	H-6918-83204	SCREW- #8-32 X 1/2 SHC	7	2
617	H-6918-404	SCREW- 1/4-20 X 1/2 SHC	13	18
618	H-6918-405	SCREW- 1/4-20 X 5/8 SHC	7	4
619	H-6918-63204	SCREW- #6-32 X 1/2 SHC	7	2
620	H-6921-44004	SCREW - #4-40 X 1/4 FILL. HD.	8	4
621	H-6922-44012	SCREW - #4-40 X 3/4 FLAT HD.	5	2
622	H-6918-44008	SCREW - #4-40 X 1 SHC	6	3
623	H-6938-440	SET SCREW- 1/4-20 X 2-1/2 KNURL PT	2	2
630	H-6931-614	SET SCREW - 3/8-16 X 1-3/4 SQ. HD.	7	2
631	H-6938-404	SET SCREW - 1/4-20 X 1/4 KNURL PT.	5,8	5
632	H-6938-420	SET SCREW - 1/4-20 X 1-1/4 KNURL PT.	8	8
633	H-6938-408	SET SCREW - 1/4-20 X 1/2 KNURL PT.	8	1
634	H-6940-416	SET SCREW - 1/4-20 X 1 FLT. PT.	1	6
635				
636	H-6970-848	SET SCREW - 1/2-20 X 3 OVAL PT.	6	8
637	H-6975-404	SET SCREW - 1/4-20 X 1/2 NYLOC CUP PT.	6	4
638	H-6931-618	SET SCREW - 3/8-16 X 2-1/4 SQ HD.	5	1
637	H-6931-618	SET SCREW - 3/8-16 X 2-1/4 SQ. HD.	5	2
645	H-6979-616	SCREW - 3/8-16 X 2 LOW HD. SOC. CAP	7	4
646	H-6940-412	SET SCREW- 1/4-20 X 3/4 FLAT PT	3	2
647	H-6940-420	SET SCREW- 1/4-20 X 1-1/4 FLAT PT	7	1
650	H-7321-4	WASHER - 1/4 PLAIN	-	30
651	H-7324-10	WASHER- 5/16 INTERNAL TOOTH	1	4
652	H-7321-6	WASHER - 3/8 PLAIN	-	15
653	H-7321-#10	WASHER - #10 PLAIN	7,8	9
654	H-7324-#4	WASHER - #4 INT. TOOTH	5,6	4
655	H-7324-#8	WASHER - #8 INT. TOOTH	7	4
656	H-7324-#10	WASHER - #10 INT. TOOTH	-	36
657	H-7324-8	WASHER - 1/4 INT. TOOTH	-	96
658	H-7324-20	WASHER - 5/8 INT. TOOTH	5	2
659	H-7321-10	WASHER- 5/8 PLAIN	8	2
660	H-7327-12	WASHER - 3/8 LOCK	-	64
661	H-7327-8	WASHER- 1/4 MED LOCK	5,6,7	16
662	H-7321-5	WASHER- 5/16 SAE FLAT	1	4
663	H-7327-10	WASHER- 5/16 MEDIUM LOCK	1	4
664	H-7321-#6	WASHER - #6 PLAIN	7	2

Power Panel Asm. – 208/230V 3ph w/Fuses EE-3479 SH'T 1H (cont'd)

NO.	PART NO.	DESCRIPTION OF ACCESSORIES	QTY
1	47512	PANEL - POWER	1
2	E-1089-41	TRANSFORMER - 208-230V "T1"	1
3	EE-3210	CABLE ASM. CLAMP COMPRESSOR JUMPER	REF
4	E-1429-17	WIRE DUCT & COVER - 9" LONG	1
5	E-1429-18	WIRE DUCT & COVER - 5-1/4" LONG	1
6	E-1977-21	RAIL - TERMINAL - 10" LONG	1
7	E-1977-23	RAIL - TERMINAL - 5" LONG	2
8	EE-3079-1	WIRES - CUT LIST	1
9	E-1143	BRIDGE RECTIFIER - PANEL MOUNT	2
10	E-2068-3	TERMINAL BLOCK - GROUNDING	1
11	E-2068-8	TERMINAL BLOCK - #10 AWG.	12
12	E-2068-7	TERMINAL BLOCK - 3 AWG.	6
13	E-1974-10	TERMINAL BLOCK - FUSEHOLDER, MIDGET	2
14	E-1974-9	TERMINAL BLOCK - FUSEHOLDER, GLASS	6
15	E-2069-3	END PLATE	1
16	E-2070-1	END BRACKET	7
17	E-2507-2	FIXED BRIDGE - 2 POLE	1
18	E-2507-3	FIXED BRIDGE - 3 POLE	1
19	E-2507-6	FIXED BRIDGE - 6 POLE	1
20	E-1356-147	MARKING STRIP - TERMINAL BLOCK	1
21	E-1356-148	MARKING STRIP - TERMINAL BLOCK	1
22	E-1356-71	MARKING STRIP - TERMINAL BLOCK	1
23	E-1356-122	MARKING STRIP - TERMINAL BLOCK	1
24	E-1356-118	MARKING STRIP - TERMINAL BLOCK	1
25	E-1356-119	MARKING STRIP - TERMINAL BLOCK	1
26	E-1453-6	TUBING - SHRINK, 1/8" DIA. 1" LONG	1
27	E-2742-5	TRANSFORMER - 120/230V , 16/24V SC. "T2"	1
28	E-2066-3	PLUG CONNECTOR - 3 PIN (H14)	1
29	E-2403-10	CONTACTOR - RELAY (CR)	1
30			
31	E-1152-56	STAND-OFF - 1/2" LONG	6
32	E-1152-43	STAND-OFF - 2" LONG	2
33	EE-3432-2	P.C.B. ASM. - I/O BOARD	1
34	EE-2820-8	PROX. ASSEMBLY - FALSE CLAMP PLATE "F"	1
35	47157-7	P.C.B. COVER - CLEAR	1
36	E-2066-10	PLUG CONNECTOR - P.C.B. 10 PIN (H4,5 & 6)	3
37	E-1736-2	QUENCHARC - WIRE LEADS	1
38	E-2066-5	PLUG CONNECTOR - P.C.B. 5 PIN (H3 & 7)	2

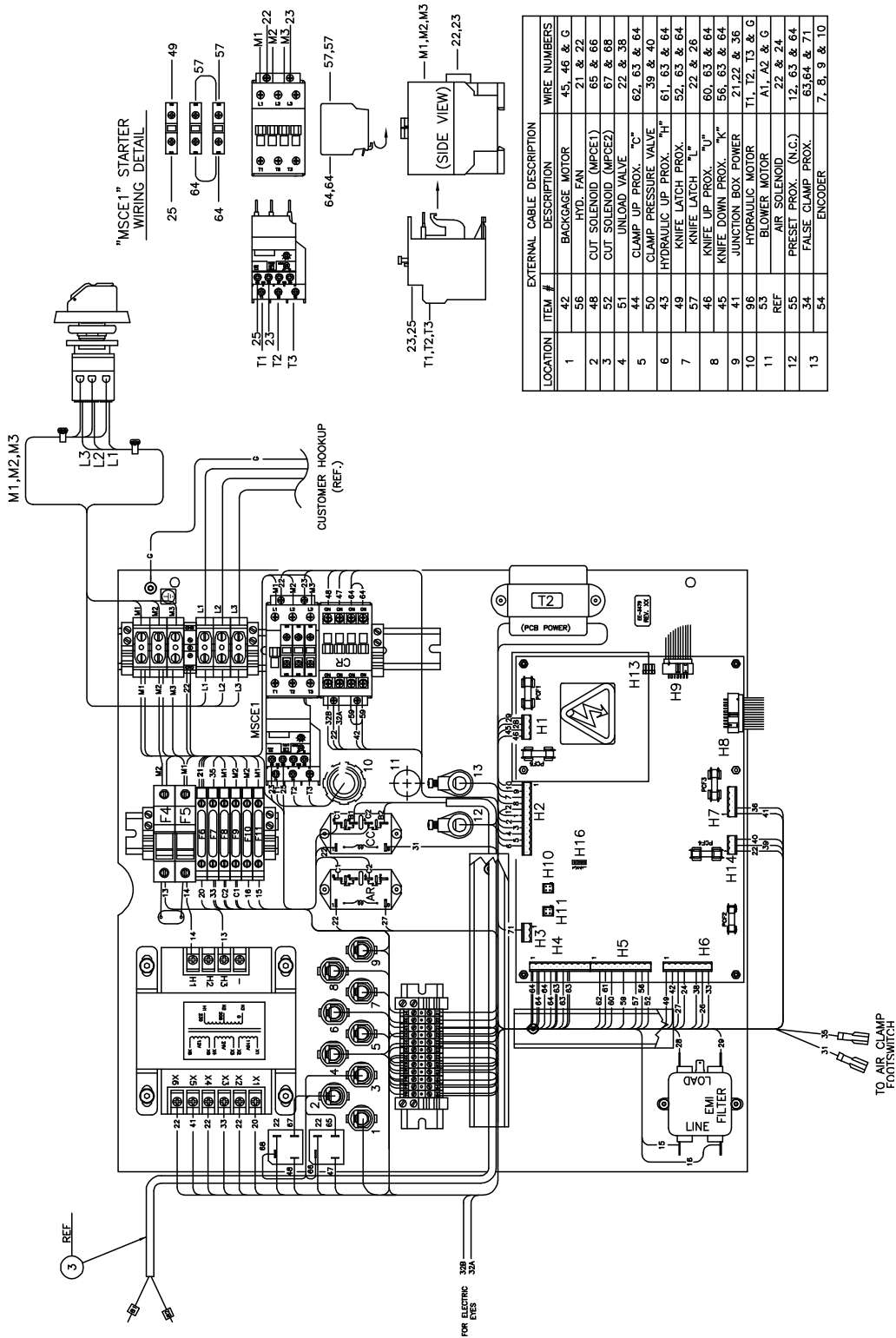
Power Panel Asm. – 208/230V 3ph w/Fuses EE-3479 SH'T 1 (cont'd)

NO.	PART NO.	DESCRIPTION OF ACCESSORIES	QTY
39	E-2066-4	PLUG CONNECTOR - P.C.B. 4 PIN (H1 & 12)	2
40	E-2196-21	HOLE PLUG - 2" DIA	2
41	EE-2834	CABLE ASM. - JUNCTION BOX	1
42	EE-2833	CABLE ASM. - BACKGAGE MOTOR	1
43	EE-2820	PROX. ASSEMBLY - HYDRAULIC UP "H"	1
44	EE-2820-1	PROX. ASSEMBLY - CLAMP UP "C"	1
45	EE-2820-6	PROX. ASSEMBLY - KNIFE DOWN "K"	1
46	EE-2820-3	PROX. ASSEMBLY - KNIFE UP "U"	1
47	E-2232-2	RELAY - AIR BLOWER (AR)/ CLAMP COMPRESS.	2
48	EE-2821-8	CABLE ASM. - CUT SOLENOID"A" (MSCE1)	1
49	EE-2842	PROX. ASSEMBLY - KNIFE LATCH	1
50	EE-2821-3	CABLE ASM. - ADJUST. PRESS. SOLENOID "P"	1
51	EE-2821-2	CABLE ASM. - UNLOAD VALVE SOLENOID "U"	1
52	EE-2821-9	CABLE ASM. - CUT SOLENOID "B" (MSCE2)	1
53	EE-2884	CONDUIT ASSEMBLY - BLOWER/AIR SOL.	1
54	EE-3564	CABLE ASSEMBLY - ENCODER	1
55	EE-3464-1	PRESET. ASSEMBLY - CONTROL	1
56	EE-2825	CABLE ASSEMBLY - HYD. FAN	1
57	EE-2843	CABLE ASSEMBLY - KNIFE LATCH	1
58	E-1377	VARISTOR - SUPPRESSOR, MOV	1
59	E-1453-3	SHRINK TUBING - 1" LONG	2
60	E-2752-2	COVER - TERMINAL BLOCK	3
61	S-1781-197	LABEL - GROUND SYMBOL, PRIMARY	1
62	S-1781-50	LABEL - EURO ELECT. SHOCK	1
63	E-1584-51	LABEL - TRANSFORMER, "T1"	1
64	E-1584-52	LABEL - TRANSFORMER, "T2"	1
65	E-1584-()	LABEL - ASM. NO./REV. LEVEL	1
66	S-1781-35	LABEL - CAUTION, ELEC. DANGER	1
67	H-6910-83204	SCREW, #8-32NC X 1/2" BUT HD CAP	2
68	H-6910-63203	SCREW, #6-32NC X 3/8" BUT HD CAP	6
69	H-6423-#6	NUT, #6-32NC HEX	6
70	H-7324-#6	WASHER, #6 INT. TOOTH	14
71	H-6910-83203	SCREW, #8-32NC X 3/8" BUT HD CAP	13
72	H-7324-#8	WASHER, #8 INT. TOOTH	13
73	H-6910-102403	SCREW, #10-24NC X 3/8" BUT HD CAP	8
74	H-7324-#10	WASHER, #10 INT. TOOTH	8
75	H-6910-403	SCREW, 1/4-20NC X 3/8" BUT HD CAP	5
76	H-7324-8	WASHER, 1/4 INT. TOOTH	5

Power Panel Asm. – 208/230V 3ph w/Fuses EE-3479 SH'T 1 (cont'd)

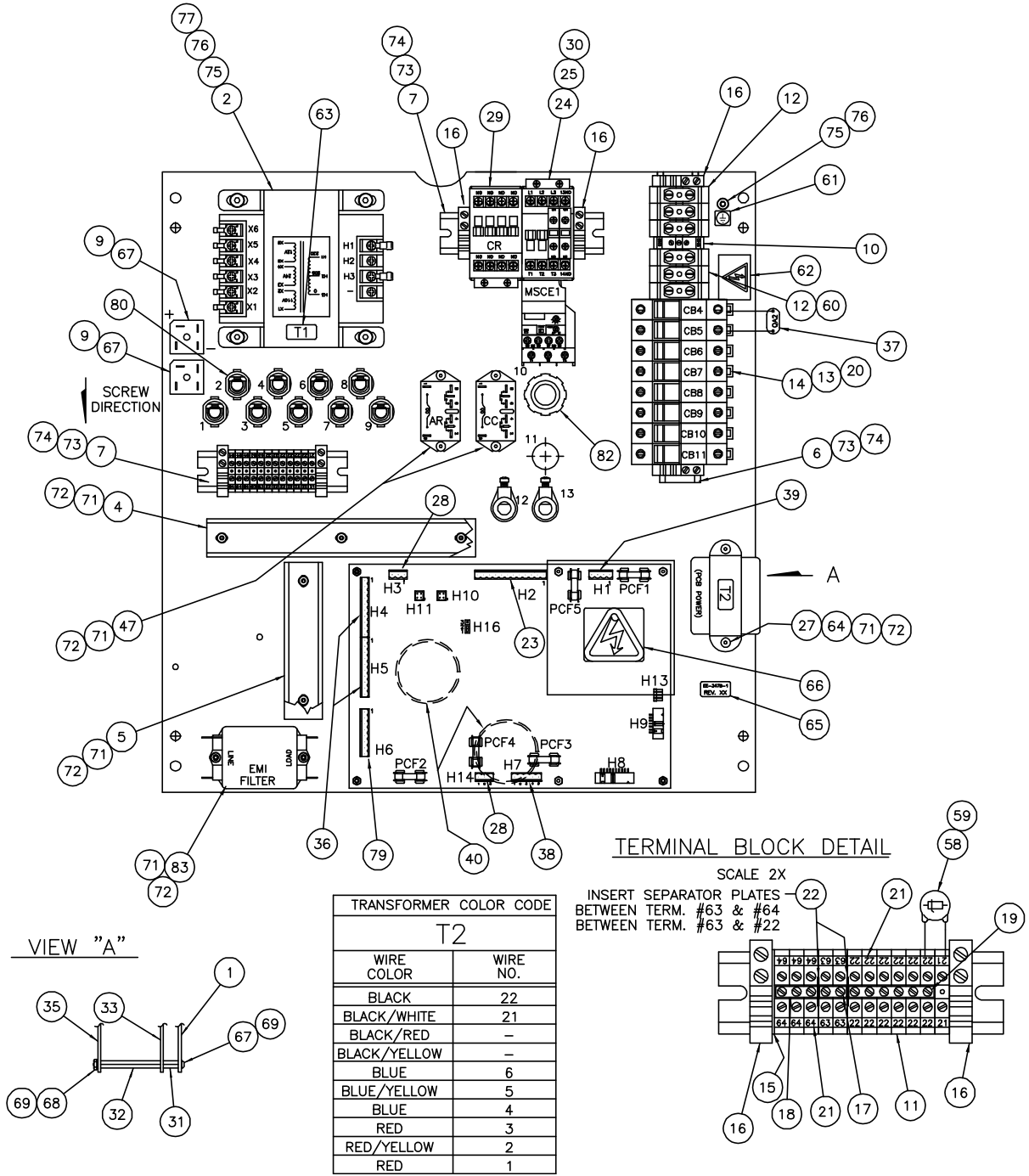
NO.	PART NO.	DESCRIPTION OF ACCESSORIES	QTY
77	H-7319-4	WASHER, 1/4 USS FLAT	4
78	E-2308	FUSE - 3.2A SB MIDGET, "F4","F5"	2
79	E-889-35	FUSE - 1AMP SLO-BLO GLASS, "F6"	1
80	E-889-9	FUSE - 8AMP SLO-BLO GLASS, "F7" (60HZ)	1
80	E-889-37	FUSE - 12AMP SLO-BLO GLASS, "F7" (50HZ)	1
81	E-889-5	FUSE - 4AMP SB GLASS, "F8","F9","10","11"	4
82	S-1350-16	STRAIN RELIEF - CABLE	11
83	E-2730-3	FILTER - EMI/EFI, PANEL MOUNT	1
84	EE-2836	CONDUIT ASM. - HYDRAULIC MOTOR, 3 PHASE	1
85	H-7321-#8	WASHER -#8 FLAT	4
86	S-1694	TY-WRAP - CABLE (NOT SHOWN)	10
87	E-2066-12	PLUG CONNECTOR - P.C.B. 12 PIN (H2)	1
88	E-2376-6	AUXILIARY CONTACT - N.O.	3
89			
90			
91	E-2864	SEPARATOR PLATE - TERMINAL BLOCK	2
92			
93	E-2805-7	STARTER - 3 PHASE	1
94	E-2441-19	RELAY - OVERLOAD, 3 PHASE (24A TO 29A)	1
95			
96	E-2066-8	PLUG CONNECTOR – PCB 8 PIN (H6)	1
97	EE-3460	CABLE ASSEMBLY – 'CAN' (LONG) (NOT SHOWN)	1
98	EE-1888-24	IC – PROGRAMMED (USES E-2056-13)	1

Power Panel Asm. – 208/230V 3ph w/Fuses EE-3479 SH'T 2 REV. H



11.2 Power Panel Assembly – 208/230V 3ph w/Circuit Breakers

EE-3479-1 Sheet 1 Rev. A



Power Panel Asm. – 208/230V 3ph w/Circuit Breakers EE-3479-1 SH'T 1 (cont'd)

NO.	PART NO.	DESCRIPTION OF ACCESSORIES	QTY
1	47512-1	PANEL - POWER	1
2	E-1089-41	TRANSFORMER - 208-230V "T1"	1
3	EE-3210	CABLE ASM. CLAMP COMPRESSOR JUMPER	REF
4	E-1429-17	WIRE DUCT & COVER - 9" LONG	1
5	E-1429-18	WIRE DUCT & COVER - 5-1/4" LONG	1
6	E-1977-16	RAIL - TERMINAL - 10-5/8" LONG	1
7	E-1977-23	RAIL - TERMINAL - 5" LONG	2
8	EE-3079-1	WIRES - CUT LIST	1
9	E-1143	BRIDGE RECTIFIER - PANEL MOUNT	2
10	E-2068-3	TERMINAL BLOCK - GROUNDING	1
11	E-2068-8	TERMINAL BLOCK - #10 AWG.	12
12	E-2068-7	TERMINAL BLOCK - 3 AWG.	6
13	E-3264-1	CIRCUIT BREAKER - 1A (CB6)	1
14	E-3264-5	CIRCUIT BREAKER - 4A (CB4,5,8,9,10 & 11)	6
15	E-2069-3	END PLATE	1
16	E-2070-1	END BRACKET	6
17	E-2507-2	FIXED BRIDGE - 2 POLE	1
18	E-2507-3	FIXED BRIDGE - 3 POLE	1
19	E-2507-6	FIXED BRIDGE - 6 POLE	1
20	E-3264-9	CIRCUIT BREAKER - 8A (CB7) (60HZ ONLY)	1
	E-3264-14	CIRCUIT BREAKER - 12A (CB7) (50HZ ONLY)	
21	E-1356-()	MARKING STRIP - TERMINAL BLOCK	2
22	E-2864	SEPARATOR PLATE - TERMINAL BLOCK	2
23	E-2066-12	PLUG CONNECTOR - P.C.B. 12 PIN (H2)	1 1
24	E-2376-6	AUXILIARY CONTACT - N.O.	2
25	E-2441-19	RELAY - OVERLOAD, 3 PHASE (24A TO 29A)	1 1
26	E-1453-6	TUBING - SHRINK, 1/8" DIA. 1" LONG	1
27	E-2742-5	TRANSFORMER - 120/230V, 16/24V SC. "T2"	1
28	E-2066-3	PLUG CONNECTOR - 3 PIN (H3 & H14)	2
29	E-2403-10	CONTACTOR - RELAY (CR)	1
30	E-2805-7	STARTER - 3 PHASE	1
31	E-1152-56	STAND-OFF - 1/2" LONG	6
32	E-1152-43	STAND-OFF - 2" LONG	2
33	EE-3432-2	P.C.B. ASM. - I/O BOARD	1
34	EE-2820-8	PROX. ASSEMBLY - FALSE CLAMP PLATE "F"	1
35	47157-7	P.C.B. COVER - CLEAR	1
36	E-2066-10	PLUG CONNECTOR - P.C.B. 10 PIN (H4 & 5)	2
37	E-1736-2	QUENCHARC - WIRE LEADS	1

**Power Panel Asm. – 208/230V 3ph w/Circuit Breakers
EE-3479-1 SH'T 1 (cont'd)**

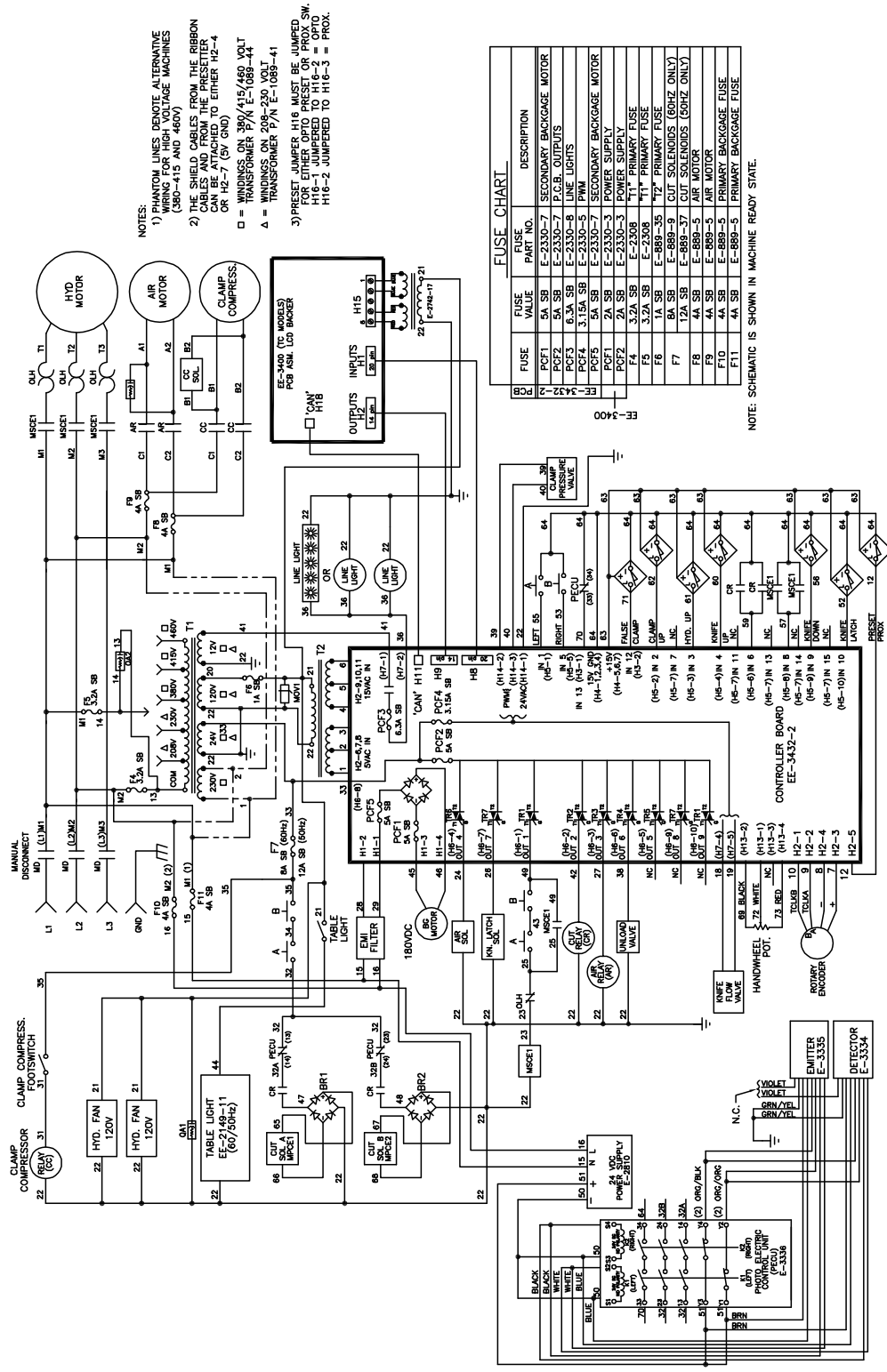
NO.	PART NO.	DESCRIPTION OF ACCESSORIES	QTY
38	E-2066-5	PLUG CONNECTOR - P.C.B. 5 PIN (H7)	1
39	E-2066-4	PLUG CONNECTOR - P.C.B. 4 PIN (H1)	1
40	E-2196-21	HOLE PLUG - 2" DIA	2
41	EE-2834	CABLE ASM. - JUNCTION BOX	1
42	EE-2833	CABLE ASM. - BACKGAGE MOTOR	1
43	EE-2820	PROX. ASSEMBLY - HYDRAULIC UP "H"	1
44	EE-2820-1	PROX. ASSEMBLY - CLAMP UP "C"	1
45	EE-2820-6	PROX. ASSEMBLY - KNIFE DOWN "K"	1
46	EE-2820-3	PROX. ASSEMBLY - KNIFE UP "U"	1
47	E-2232-2	RELAY - AIR BLOWER (AR)/ CLAMP COMPRESS.	2
48	EE-2821-8	CABLE ASM. - CUT SOLENOID "A" (MSCE1)	1
49	EE-2842	PROX. ASSEMBLY - KNIFE LATCH	1
50	EE-2821-3	CABLE ASM. - ADJUST. PRESS. SOLENOID "P"	1
51	EE-2821-2	CABLE ASM. - UNLOAD VALVE SOLENOID "U"	1
52	EE-2821-9	CABLE ASM. - CUT SOLENOID "B" (MSCE2)	1
53	EE-2884	CONDUIT ASSEMBLY - BLOWER/AIR SOL.	1
54	EE-3564	CABLE ASSEMBLY - ENCODER	1
55	EE-3464-1	PRESET. ASSEMBLY - PROX. W/ BRACKET	1
56	EE-2825	CABLE ASSEMBLY - HYD. FAN	1
57	EE-2843	CABLE ASSEMBLY - KNIFE LATCH	1
58	E-1377	VARISTOR - SUPPRESSOR, MOV	1
59	E-1453-3	SHRINK TUBING - 1" LONG	2
60	E-2752-2	COVER - TERMINAL BLOCK	3
61	S-1781-197	LABEL - GROUND SYMBOL, PRIMARY	1
62	S-1781-50	LABEL - EURO ELECT. SHOCK	1
63	E-1584-51	LABEL - TRANSFORMER, "T1"	1
64	E-1584-52	LABEL - TRANSFORMER, "T2"	1
65	E-1584-()	LABEL - ASM. NO./REV. LEVEL	1
66	S-1781-35	LABEL - CAUTION, ELEC. DANGER	1
67	H-6910-83204	SCREW, #8-32NC X 1/2" BUT HD CAP	2
68	H-6910-63203	SCREW, #6-32NC X 3/8" BUT HD CAP	6
69	H-6423-#6	NUT, #6-32NC HEX	6
70	H-7324-#6	WASHER, #6 INT. TOOTH	14
71	H-6910-83203	SCREW, #8-32NC X 3/8" BUT HD CAP	13
72	H-7324-#8	WASHER, #8 INT. TOOTH	13
73	H-6910-102403	SCREW, #10-24NC X 3/8" BUT HD CAP	8
74	H-7324-#10	WASHER, #10 INT. TOOTH	8

**Power Panel Asm. – 208/230V 3ph w/Circuit Breakers
EE-3479-1 SH'T 1 (cont'd)**

NO.	PART NO.	DESCRIPTION OF ACCESSORIES	QTY
75	H-6910-403	SCREW, 1/4-20NC X 3/8" BUT HD CAP	5
76	H-7324-8	WASHER, 1/4 INT. TOOTH	5
77	H-7319-4	WASHER, 1/4 USS FLAT	4
78	EE-3460	CABLE ASSEMBLY - 'CAN' (LONG) (NOT SHOWN)	1
79	E-2066-8	PLUG CONNECTOR - P.C.B. 8 PIN (H6)	1 1
80	S-1350-16	STRAIN RELIEF - CABLE	11
81	E-2730-3	FILTER - EMI/EFI, PANEL MOUNT	1
82	EE-2836	CONDUIT ASM. - HYDRAULIC MOTOR, 3 PHASE	1
83	H-7321-#8	WASHER -#8 FLAT	4
84	S-1694	TY-WRAP - CABLE (NOT SHOWN)	10

11.4 Basic Machine Schematic – TC, Standard Cut and Fuses

E-3462 rev.D



- NOTES:
- 1) PHANTOM LINES DENOTE ALTERNATIVE WIRING FOR HIGH-VOLTAGE MACHINES (380-415 AND 460V)
 - 2) THE SHIELD CABLES FROM THE RIBBON MOTOR CAN BE ATTACHED TO EITHER H2-4 OR H2-7 (5V GND)
 - = WINDINGS ON 380/415/460 VOLT TRANSFORMER F/A E-1088-44
 - ▲ = WINDINGS ON 208-230 VOLT TRANSFORMER F/A E-1089-41
 - 3) PRESET JUMPER H16 MUST BE JUMPED FOR EITHER DATED PRESET OR PROX. SW. H16-2 JUMPED TO H16-3 = PROX.

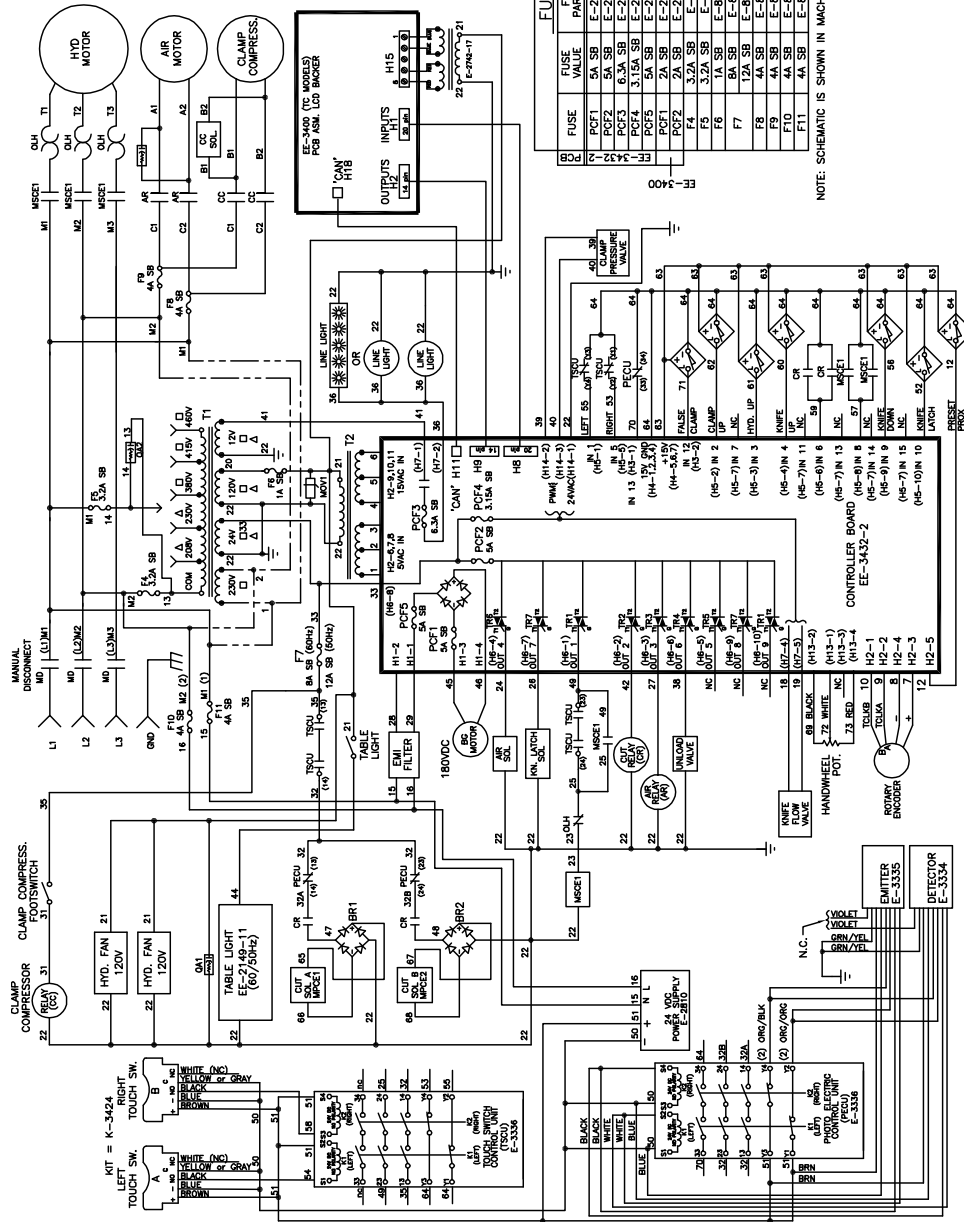
FUSE	VALUE	USE	DESCRIPTION
PCF1	6A SB	E-2330-7	SECONDARY BACKGAUGE MOTOR
PCF2	5A SB	E-2330-7	P.C.B. OUTPUTS
PCF3	6.3A SB	E-2330-8	LINE LIGHTS
PCF4	3.15A SB	E-2330-5	PWM
PCF5	5A SB	E-2330-7	SECONDARY BACKGAUGE MOTOR
PCF6	2A SB	E-2330-3	POWER SUPPLY
PCF7	2A SB	E-2330-3	POWER SUPPLY
F4	3.2A SB	E-2308	H17 PRIMARY FUSE
F5	3.2A SB	E-2308	H17 PRIMARY FUSE
F6	6A SB	E-889-9	CUT SOLENOIDS (60HZ ONLY)
F7	12A SB	E-889-37	CUT SOLENOIDS (60HZ ONLY)
F8	4A SB	E-889-5	AIR MOTOR
F9	4A SB	E-889-5	AIR MOTOR
F10	4A SB	E-889-5	PRIMARY BACKGAUGE FUSE
F11	4A SB	E-889-5	PRIMARY BACKGAUGE FUSE

NOTE: SCHEMATIC IS SHOWN IN MACHINE READY STATE.

11.5 Basic Machine Schematic – TC, Touch Switches and Fuses

E-3462 Rev. D

- NOTES:
- PHANTOM LINES DENOTE ALTERNATIVE WINDINGS ON TRANSFORMERS (380-415 AND 460V)
 - THE SHIELD CABLES FROM THE RIBBON CABLES AND FROM THE PRESETTER CAN BE ATTACHED TO EITHER H2-4 OR H2-5 (CN 58)
 - TRANSFORMER 37% (E-1089-44)
 - WINDINGS ON 208-230 VOLT TRANSFORMER P/N E-1089-41
 - PRESET JUMPER H16 MUST BE JUMPED FOR EITHER OPTO PRESET OR PROX. SW. H16-1 JUMPED TO H16-2 = PROX. H16-2 JUMPED TO H16-3 = PROX.



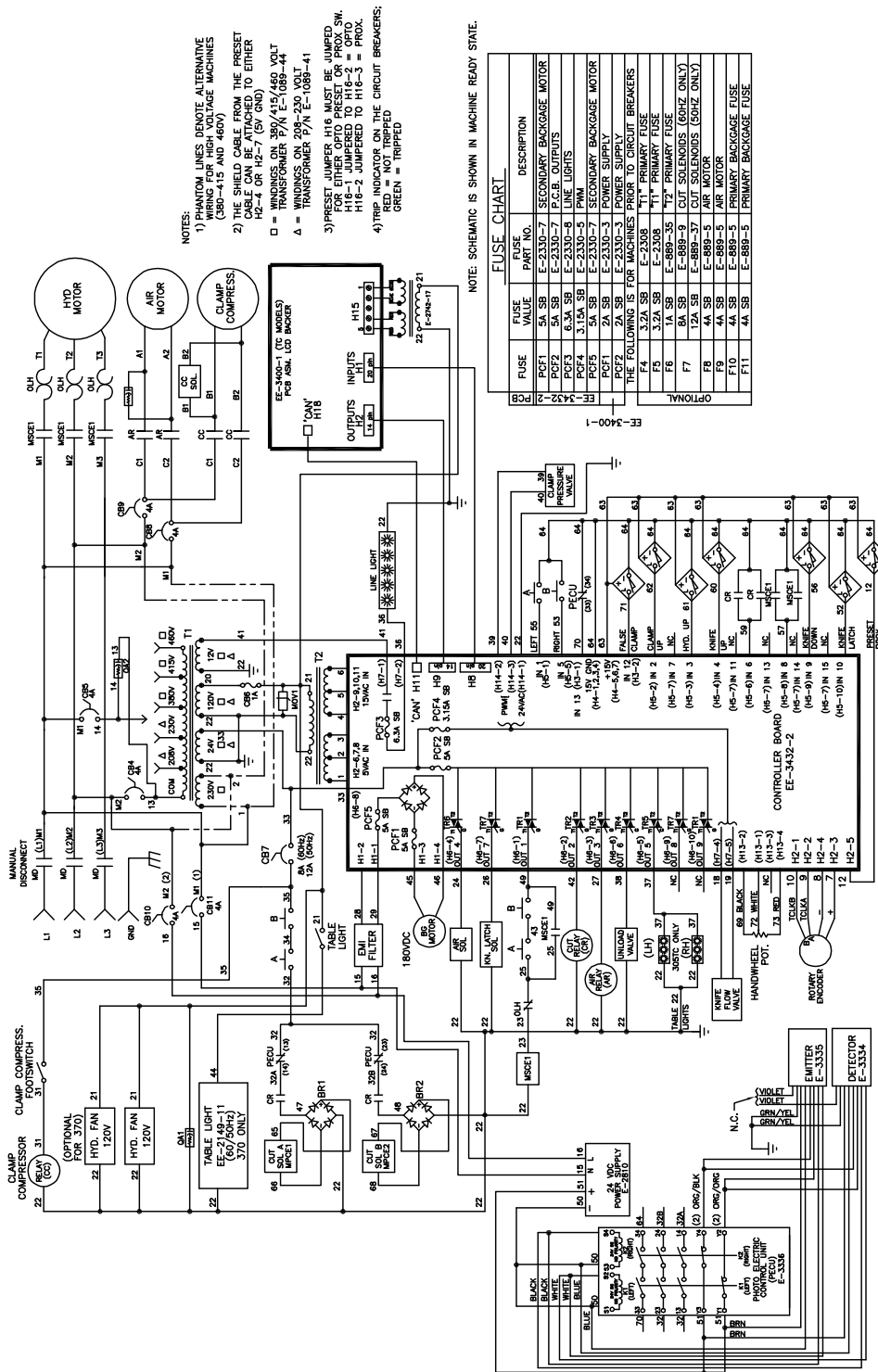
FUSE CHART

FUSE NO.	FUSE VALUE	DESCRIPTION
PF1	5A SB	SECONDARY BACKPAGE MOTOR
PF2	5A SB	SECONDARY BACKPAGE MOTOR
PF3	6.3A SB	P.C.B. OUTPUTS
PF4	3.15A SB	LINE LIGHTS
PF5	5A SB	E-2330-5 PWM
PF6	5A SB	SECONDARY BACKPAGE MOTOR
PF7	2A SB	POWER SUPPLY
PF8	3.2A SB	T1* PRIMARY FUSE
PF9	1A SB	T2* PRIMARY FUSE
PF10	1.7A SB	CUT SOLENOIDS (60HZ ONLY)
PF11	4A SB	AIR MOTOR
PF12	4A SB	SECONDARY BACKPAGE MOTOR
PF13	4A SB	SECONDARY BACKPAGE MOTOR

NOTE: SCHEMATIC IS SHOWN IN MACHINE READY STATE

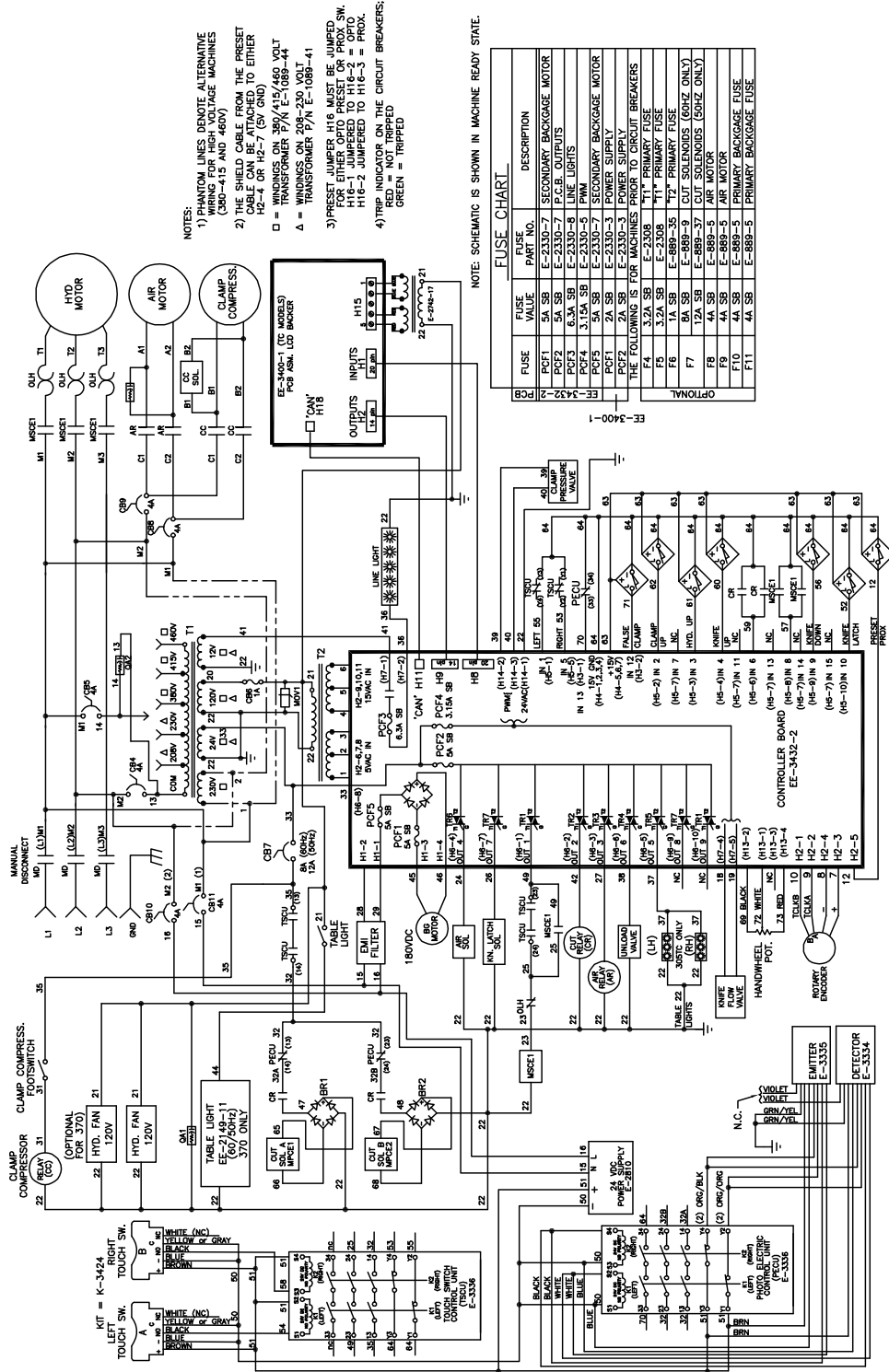
11.6 Basic Machine Schematic – TC, Standard Cut and Circuit Breakers

E-3462-1 Rev A



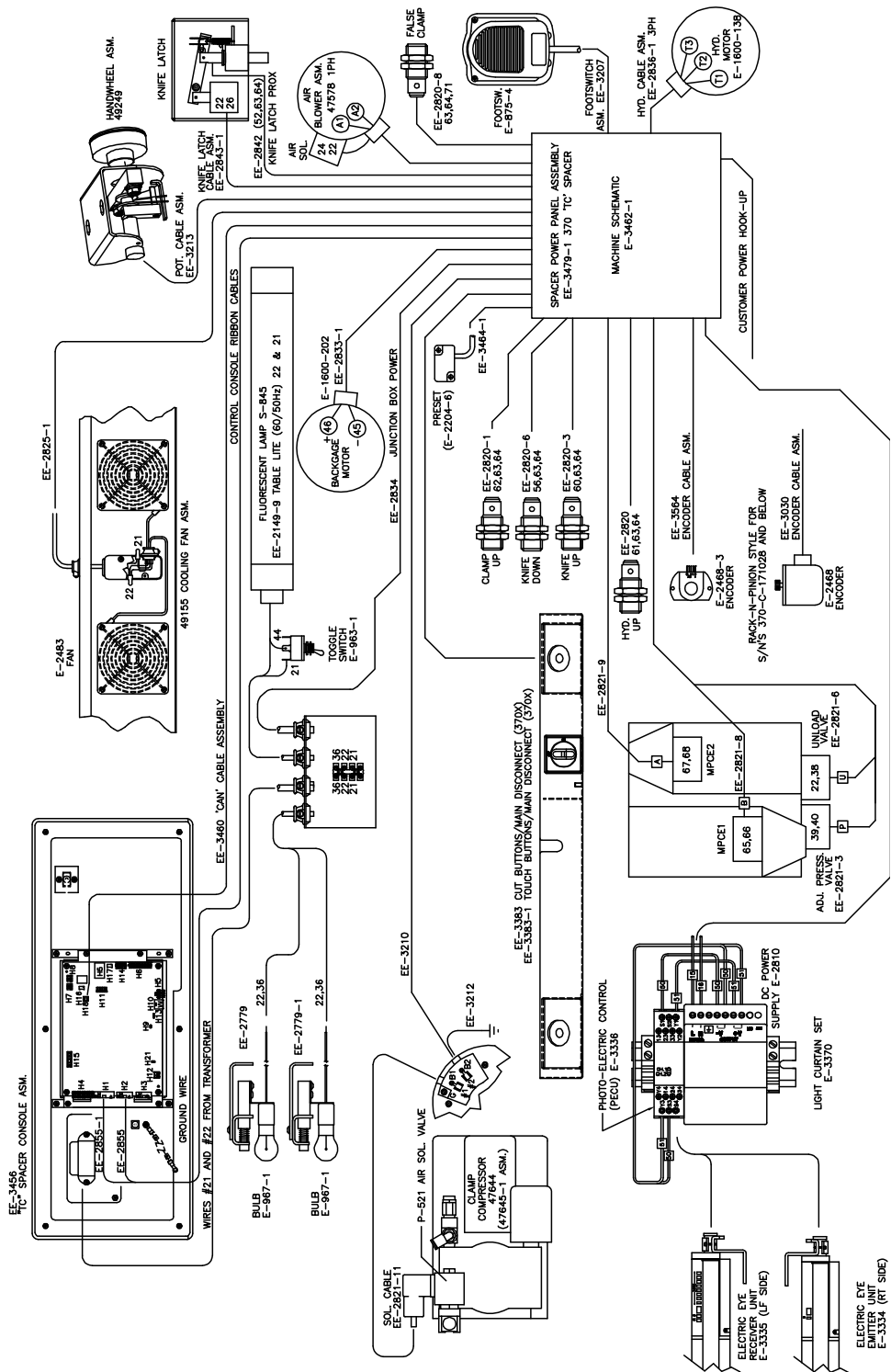
11.7 Basic Machine Schematic – TC, Touch Switches and Circuit Breakers

E-3462-1 Rev. A



11.8 Interconnection Diagram – TC Spacer

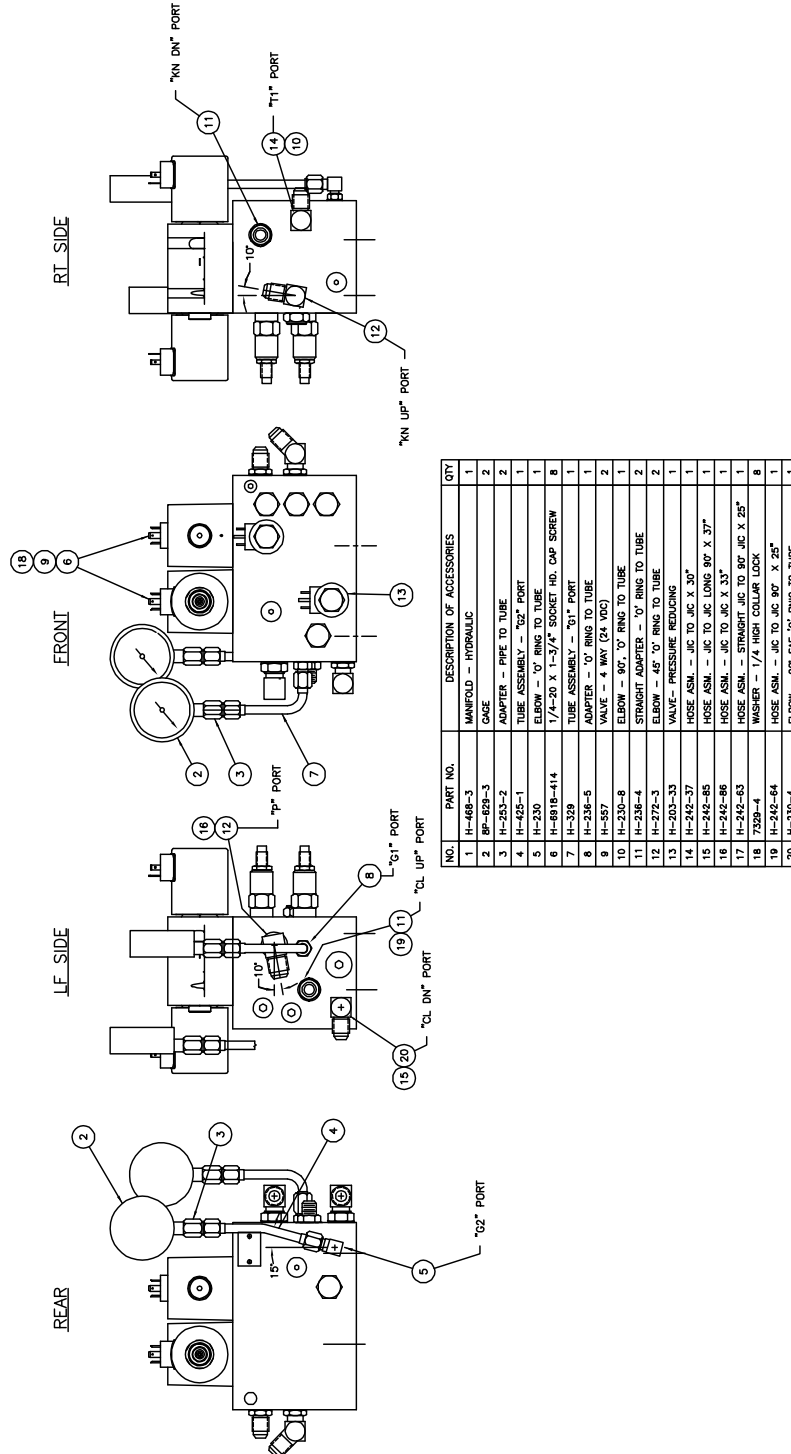
E-3463-1 rev.A



12.0 Hydraulics

12.1 Hydraulic Manifold Assembly

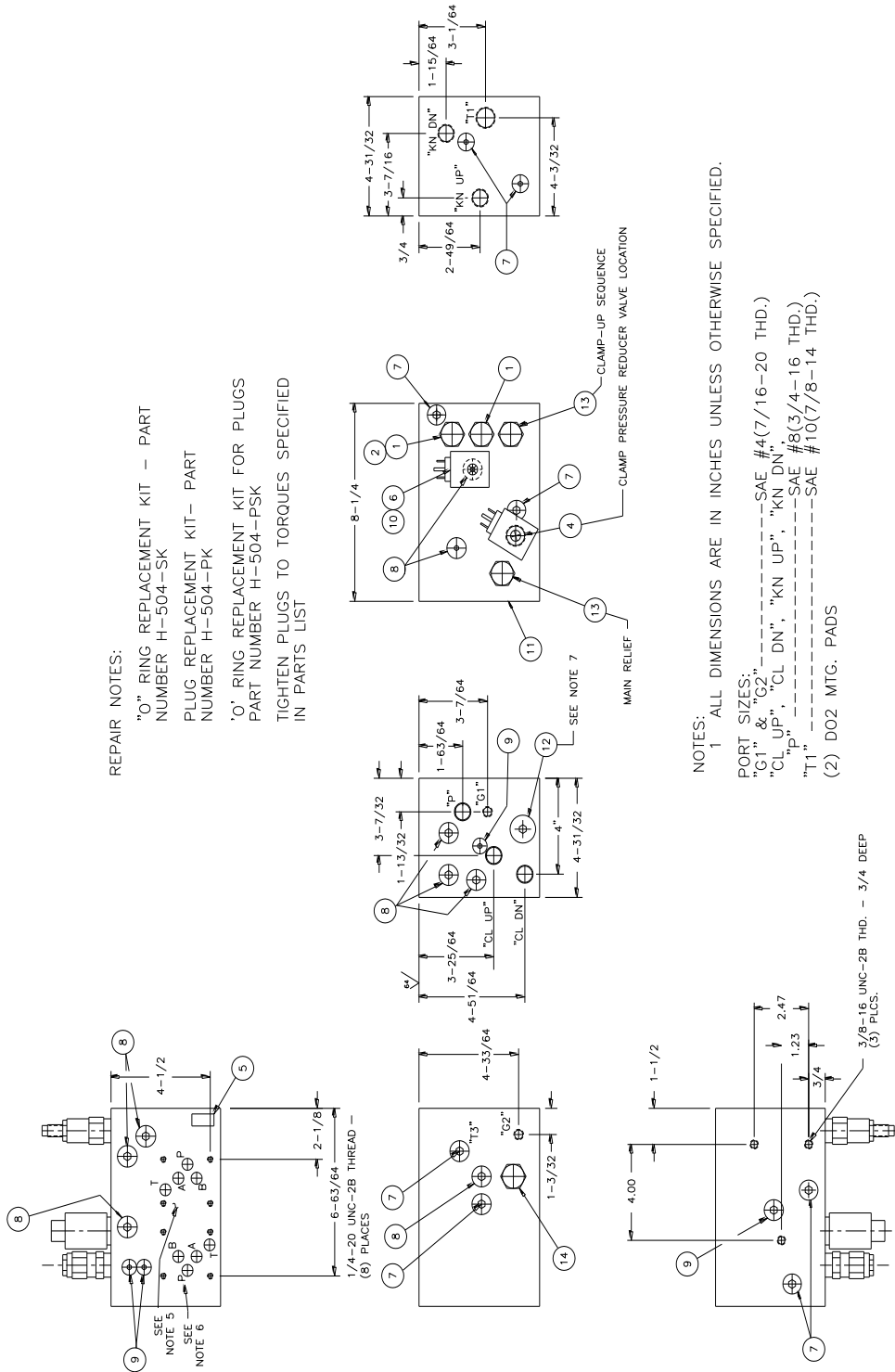
H-512-1 Rev. C



NO.	PART NO.	DESCRIPTION OF ACCESSORIES	QTY
1	H-468-3	MANFOLD - HYDRAULIC	1
2	BP-628-3	GAUGE	2
3	H-253-2	ADAPTER - PIPE TO TUBE	2
4	H-425-1	TUBE ASSEMBLY - "62" PORT	1
5	H-230	ELBOW - "O" RING TO TUBE	1
6	H-6818-414	1/4-20 X 1-3/4" SOCKET HD. CAP SCREW	8
7	H-329	TUBE ASSEMBLY - "81" PORT	1
8	H-238-5	ADAPTER - "O" RING TO TUBE	1
9	H-587	VALVE - 4 WAY (24.10C)	2
10	H-310-8	ELBOW - 90° "O" RING TO TUBE	1
11	H-338-8	ELBOW - 90° "O" RING TO TUBE	2
12	H-238-4	STRAIGHT ADAPTER - "O" RING TO TUBE	2
13	H-272-3	ELBOW - 45° "O" RING TO TUBE	2
14	H-203-33	VALVE - PRESSURE REDUCING	1
15	H-242-37	HOSE ASN - JIC TO JIC X 30"	1
16	H-242-86	HOSE ASN - JIC TO JIC LONG 90° X 37"	1
17	H-242-63	HOSE ASN - JIC TO JIC X 33"	1
18	7329-4	WASHER - 1/4 HIGH COLLAR LOCK	8
19	H-242-64	HOSE ASN - JIC TO JIC 90° X 25"	1
20	H-230-4	ELBOW - 90° SAE "O" RING TO TUBE	1

12.2 Hydraulic Manifold

H-468-3 REV. C

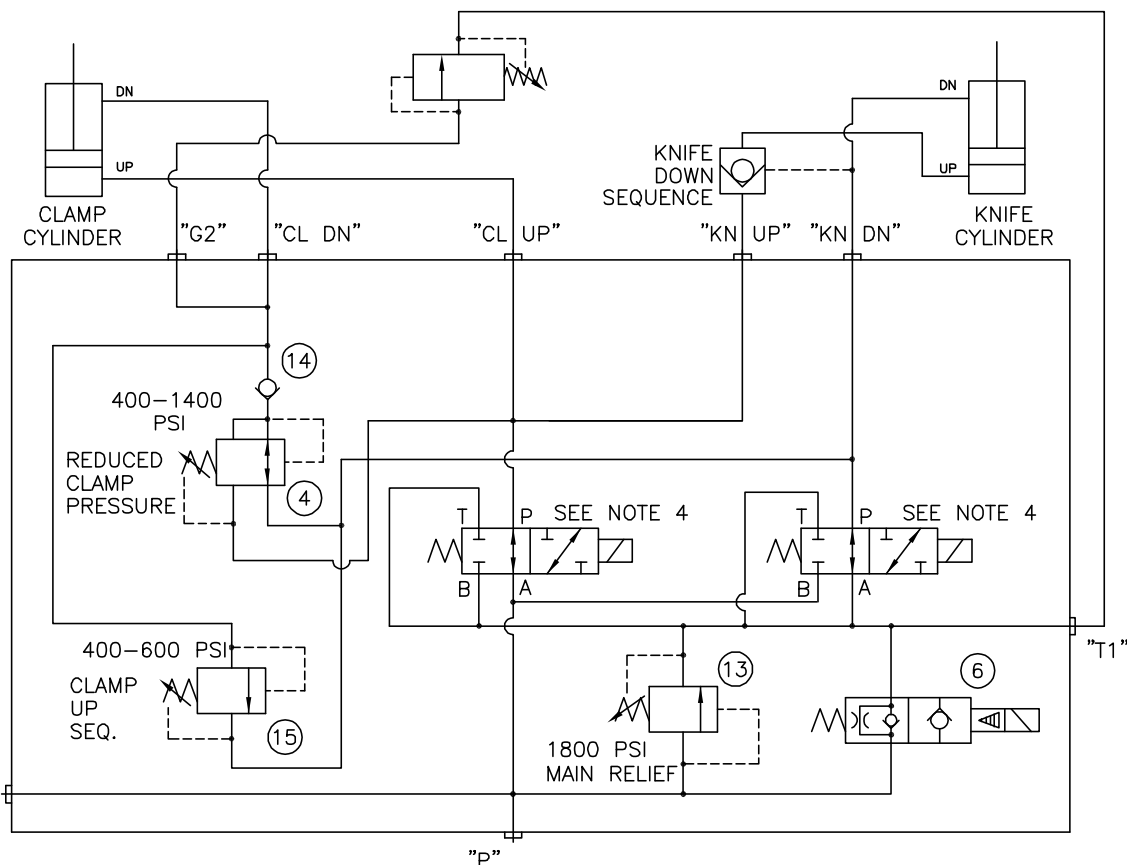


REPAIR NOTES:
 "O" RING REPLACEMENT KIT - PART NUMBER H-504-SK
 PLUG REPLACEMENT KIT- PART NUMBER H-504-PK
 "O" RING REPLACEMENT KIT FOR PLUGS PART NUMBER H-504-PSK
 TIGHTEN PLUGS TO TORQUES SPECIFIED IN PARTS LIST

NOTES:
 1 ALL DIMENSIONS ARE IN INCHES UNLESS OTHERWISE SPECIFIED.
 PORT SIZES:
 "G1" & "G2" -----SAE #4(7/16-20 THD.)
 "CL UP", "CL DN", "KN UP", "KN DN" -----SAE #8(3/4-16 THD.)
 "P" -----SAE #10(7/8-14 THD.)
 "T1" -----SAE #10(7/8-14 THD.)
 (2) DO2 MTG. PADS

3/8-16 UNC-2B THD. - 3/4 DEEP
 (3) PLCS.

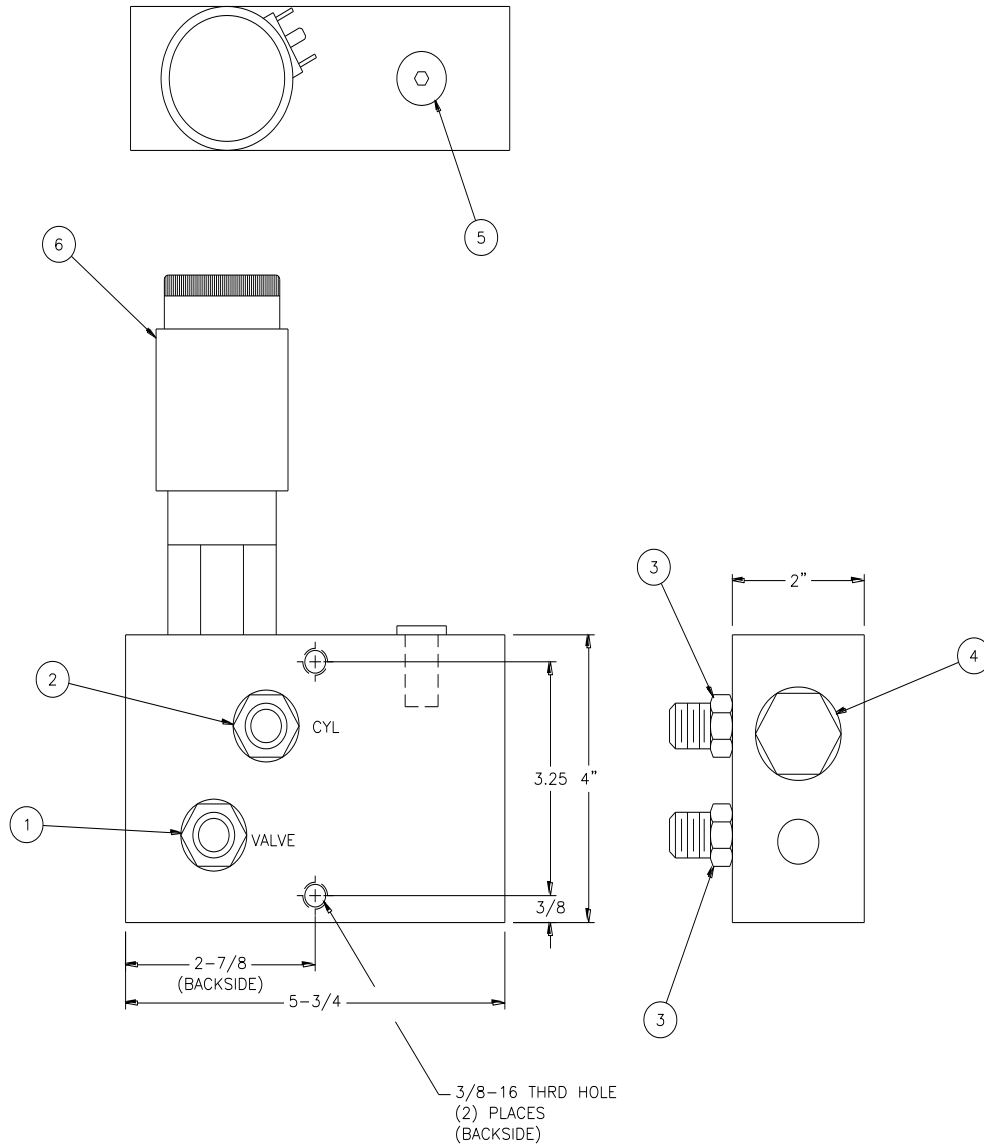
Hydraulic Schematic/Parts List – H-468-3 Rev. C (cont)



NO.	CMC PART NO.	MFR. PART NO.	DESCRIPTION OF ACCESSORIES	QTY
1	H-427-4	121-10T	PLUG - SAE	2
2	H-427	121-2T	PLUG - SAE	1
3				
4	5136	PRV2-10-K-0-20	PRESSURE REDUCING VALVE- MANUAL (MAN. B.G.) REF.	
	H-203-41	EPRV3-10-15-0-00	PRESSURE REDUCING VALVE- ELECTRICAL (TC)	1
5	N/P	20297	NAMEPLATE	1
6	E-1069-26	60191-24G	REPLACEMENT COIL 265	1
	E-1069-17	265555	COIL (24 VAC) 305-370	1
7	H-427-5	121-6T	SAE PLUG (220 IN-LB TORQUE)	8
8	H-427-2	121-5T	SAE PLUG (180 IN-LB TORQUE)	9
9	H-427	121-2T	SAE PLUG (35 IN-LB TORQUE)	4
10	H-563	-24D-G PFCV-10-N-0-16-0-0	PROPORTIONAL FLOW VALVE 265	1
	H-200-3	SV5-10-0-0-00	CARTRIDGE VALVE 305-370	1
11	N/P	41112	VALVE MANIFOLD	1
12	H-427-3	121-8T	SAE PLUG (550 IN-LB TORQUE)	2
13	H-203-26	RV5-10-S-0-20	RELIEF VALVE	1
14	H-203-38	CV3-10-P-0-010	CHECK VALVE - 10 PSI	1
15	H-203-43	RV10-26A-0-N-15	RELIEF VALVE	1

12.3 Hydraulic Pressure Switch Assembly

49195 Rev. "B"

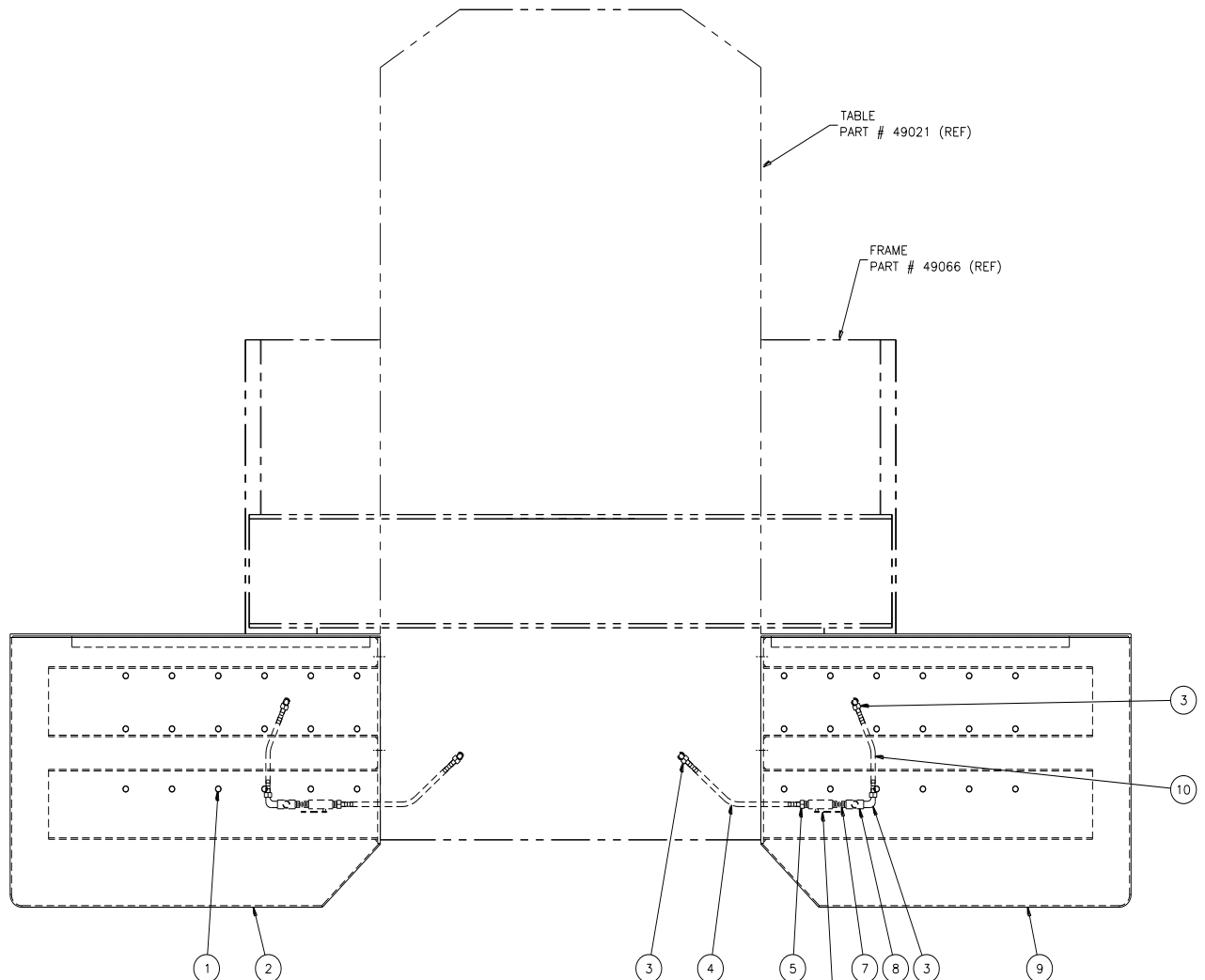


NO.	PART NO.	DESCRIPTION OF ACCESSORIES	QTY
1	H-242-37	HOSE - HYDRAULIC, 30" LONG (NOT SHOWN)	1
2	H-242-67	HOSE - HYDRAULIC, 22" LONG (NOT SHOWN)	1
3	H-236-4	NIPPLE - MALE, 3/4-16	2
4	H-203-18	VALVE - CHECK (VICKERS CV-3-10-65)	1
5	H-427-5	PLUG- SAE (121-6T) 9/16-18 ORB	1
6	H-203-35	VALVE - KNIFE FLOW CONTROL	1

13.0 SUB-ASSEMBLIES

13.1 Air Extension Table (Option)

49157 Rev. A

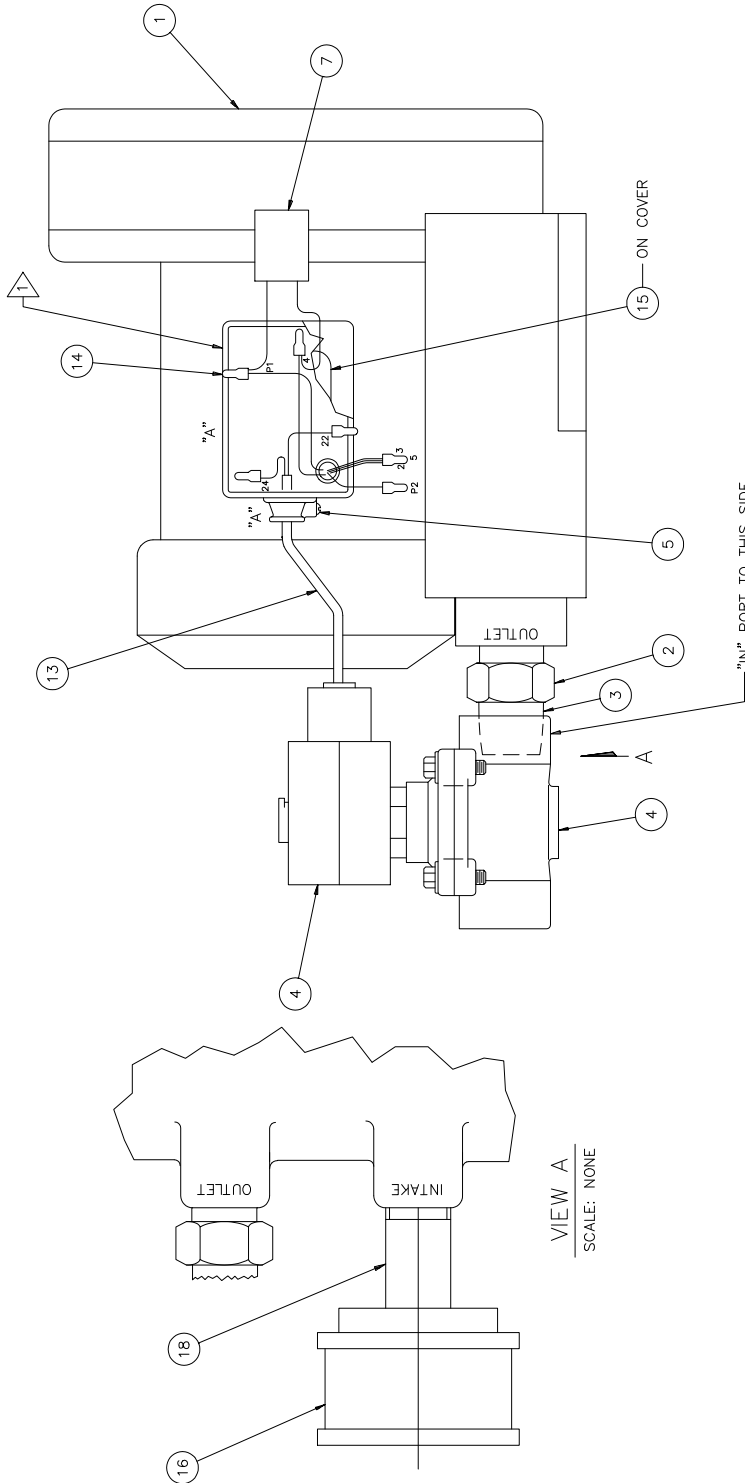


NO.	PART NO.	DESCRIPTION OF ACCESSORIES	QTY.
1	P-207-1	AIR JET	36
2	16028	TABLE EXTENSION L. H.	1
3	P-205	ELBOW, 90° (3/8 NPT- 1/2 I.D. TUBE) PLASTIC	6
4	P-240-3	1/2 I.D. X 3/32 WALL NYLON TUBE X 16" LONG	2
5	P-210	HOSE BARB - 3/8 NPT TO 1/2 I.D. TUBE	2
6	S-1921	BALL VALVE	2
7	H-6405-1-608	3/8 NPT CLOSE NIPPLE X 1" LONG	4
8	H-277-1	TEE - 3/8 PIPE INTERNAL	2
9	16029	TABLE EXTENSION R. H.	1
10	P-240-3	1/2 I.D. X 3/32 WALL NYLON TUBE X 12" LONG	2

NOTE:
INSTALL BALL VALVE SO
THE LEVER ACTION IS TOWARD
THE FRONT OF THE MACHINE
(2) PLACES

13.2 Air Table Blower Assembly – Single Phase

49083 Rev. D



WIRING CHART	
HIGH VOLTAGE	CONNECT TO BLOWER NO.
A1	P1
A2	4
-	P2
-	2, 3 & 5

NOTES:

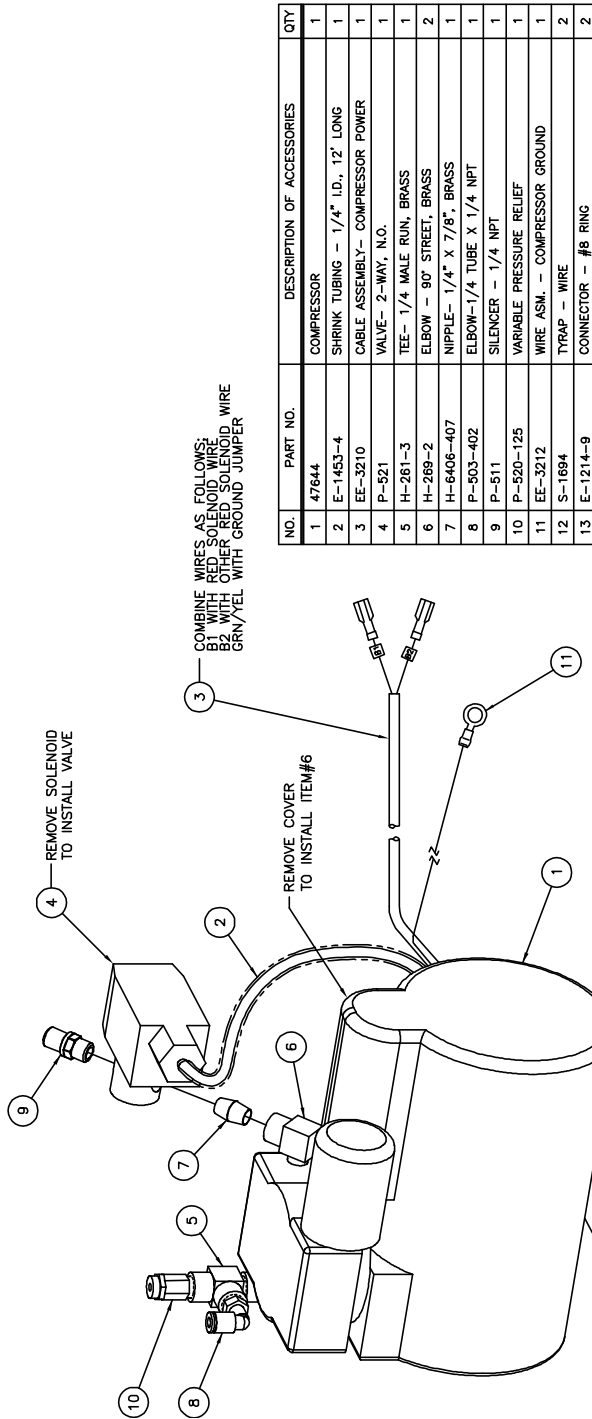
1 DETAIL SHOWS WIRING FOR HIGH VOLTAGE, SEE CHART FOR OPTIONAL VOLTAGE WIRING.

NO.	PART NO.	DESCRIPTION OF ACCESSORIES	QTY
1	E-123-4	BLOWER - 1PA	1
2	P-204	REDUCER - PVC	1
3	P-212	NIPPLE - PVC	1
4	P-202-1	VALVE - SOLENOID	1
5	S-1350-1B	STRAIN RELIEF	1
6	E-1734F-2	QUENCHARC - 3" WIRE LEADS	1
7			
8			
9			
10			
11	E-1214-4	CONNECTOR - #8 INS. LOCKING FORK	1
12	E-1453-1	SHRINK TUBING - 4" LONG	1
13	E-1237-1	NUT - WIRE. SM YELLOW	6
14	S-1781-12	LABEL - EURO SHOCK W/TEXT	1
15	P-102	STRAINER	1
16			
17			
18	P-212-1	PIPE NIPPLE - 1" x 1-1/2 PLASTIC	1
19			

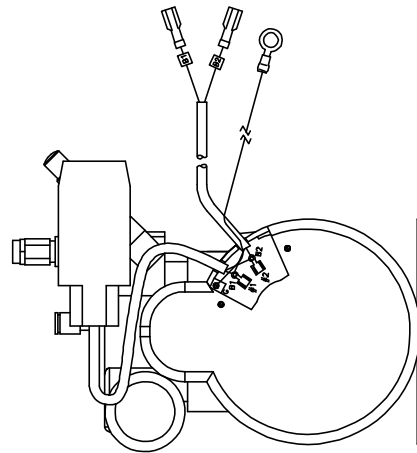
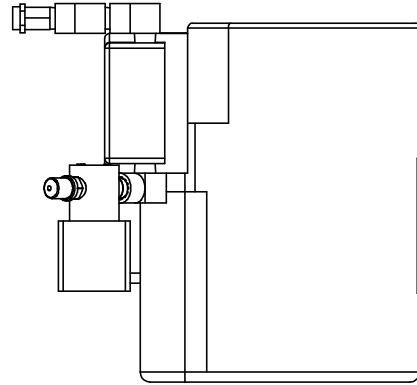
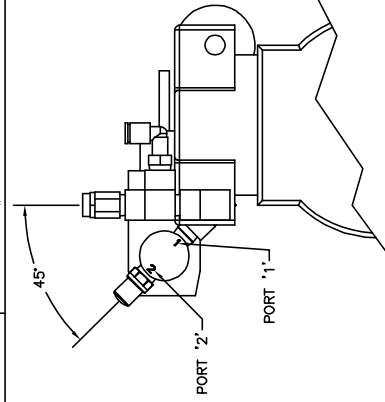
VIEW A
SCALE: NONE

13.3 Clamp Compressor Assembly

47645-1 Rev.F



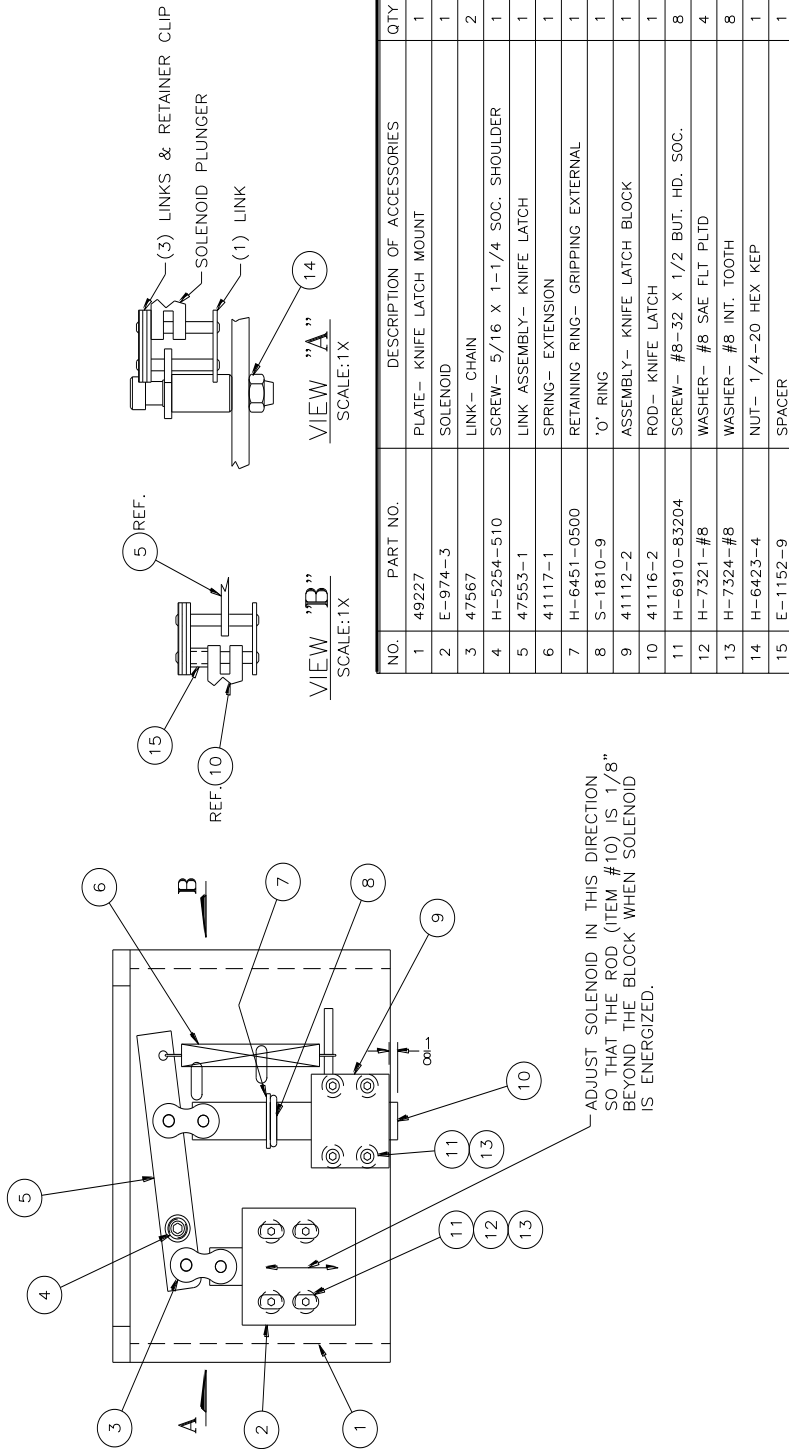
NO.	PART NO.	DESCRIPTION OF ACCESSORIES	QTY.
1	47644	COMPRESSOR	1
2	E-1453-4	SHRINK TUBING - 1/4" I.D., 12' LONG	1
3	EE-3210	CABLE ASSEMBLY- COMPRESSOR POWER	1
4	P-521	VALVE- 2-WAY, N.O.	1
5	H-261-3	TEE- 1/4 MALE RUN, BRASS	1
6	H-269-2	ELBOW - 90° STREET, BRASS	2
7	H-6408-407	NIPPLE- 1/4" X 7/8", BRASS	1
8	P-503-402	ELBOW-1/4 TUBE X 1/4 NPT	1
9	P-511	SILENCER - 1/4 NPT	1
10	P-520-125	VARIABLE PRESSURE RELIEF	1
11	EE-3212	WIRE ASM. - COMPRESSOR GROUND	1
12	S-1694	TYRAP - WIRE	2
13	E-1214-9	CONNECTOR - #8 RING	2



SERVICE NOTE:
 IF THIS ASSEMBLY IS TO BE SENT OUT FOR SERVICE PRESSURES MUST BE SET PER THE NOTE BELOW. SET BEFORE SENDING OUT TO CUSTOMER.
 FOR 305 'X' - ADJUST VALVE TO 60 PSI
 FOR 370 'X' - ADJUST VALVE TO 62 PSI
 APPLY THREAD LOCK TO ADJUSTMENT NUT.

13.4 Knife Latch Assembly

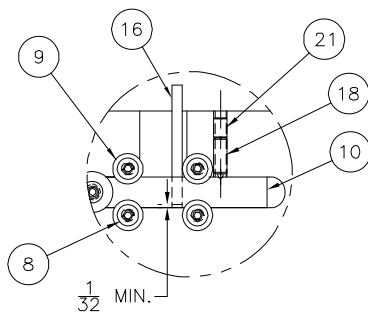
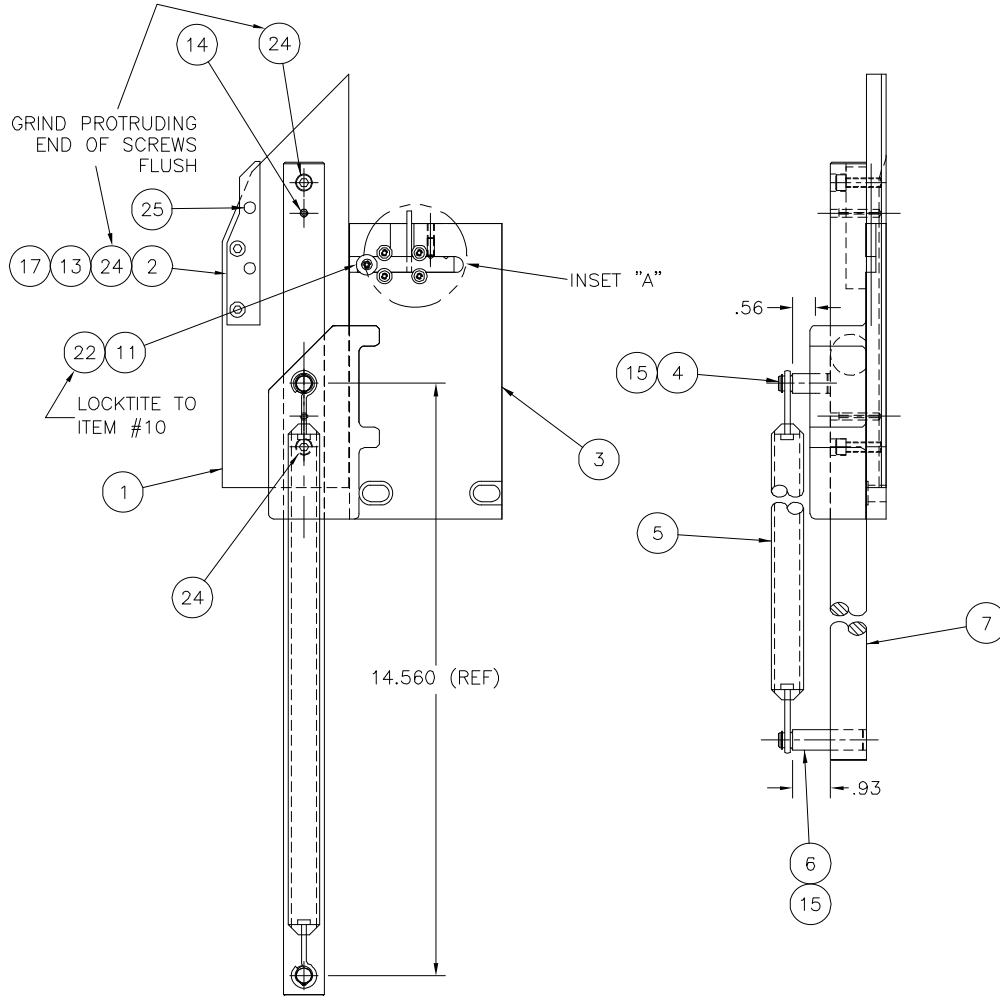
49228-1 Rev. "B"



NO.	PART NO.	DESCRIPTION OF ACCESSORIES	QTY
1	49227	PLATE- KNIFE LATCH MOUNT	1
2	E-974-3	SOLENOID	1
3	47567	LINK- CHAIN	2
4	H-5254-510	SCREW- 5/16 X 1-1/4 SOC. SHOULDER	1
5	47553-1	LINK ASSEMBLY- KNIFE LATCH	1
6	41117-1	SPRING- EXTENSION	1
7	H-6451-0500	RETAINING RING- GRIPPING EXTERNAL	1
8	S-1810-9	'O' RING	1
9	41112-2	ASSEMBLY- KNIFE LATCH BLOCK	1
10	41116-2	ROD- KNIFE LATCH	1
11	H-6910-83204	SCREW- #8-32 X 1/2 BUT. HD. SOC.	8
12	H-7321-#8	WASHER- #8 SAE FLT PLTD	4
13	H-7324-#8	WASHER- #8 INT. TOOTH	8
14	H-6423-4	NUT- 1/4-20 HEX KEP	1
15	E-1152-9	SPACER	1

13.5 Paper Deflector Assembly

49115 Rev. H

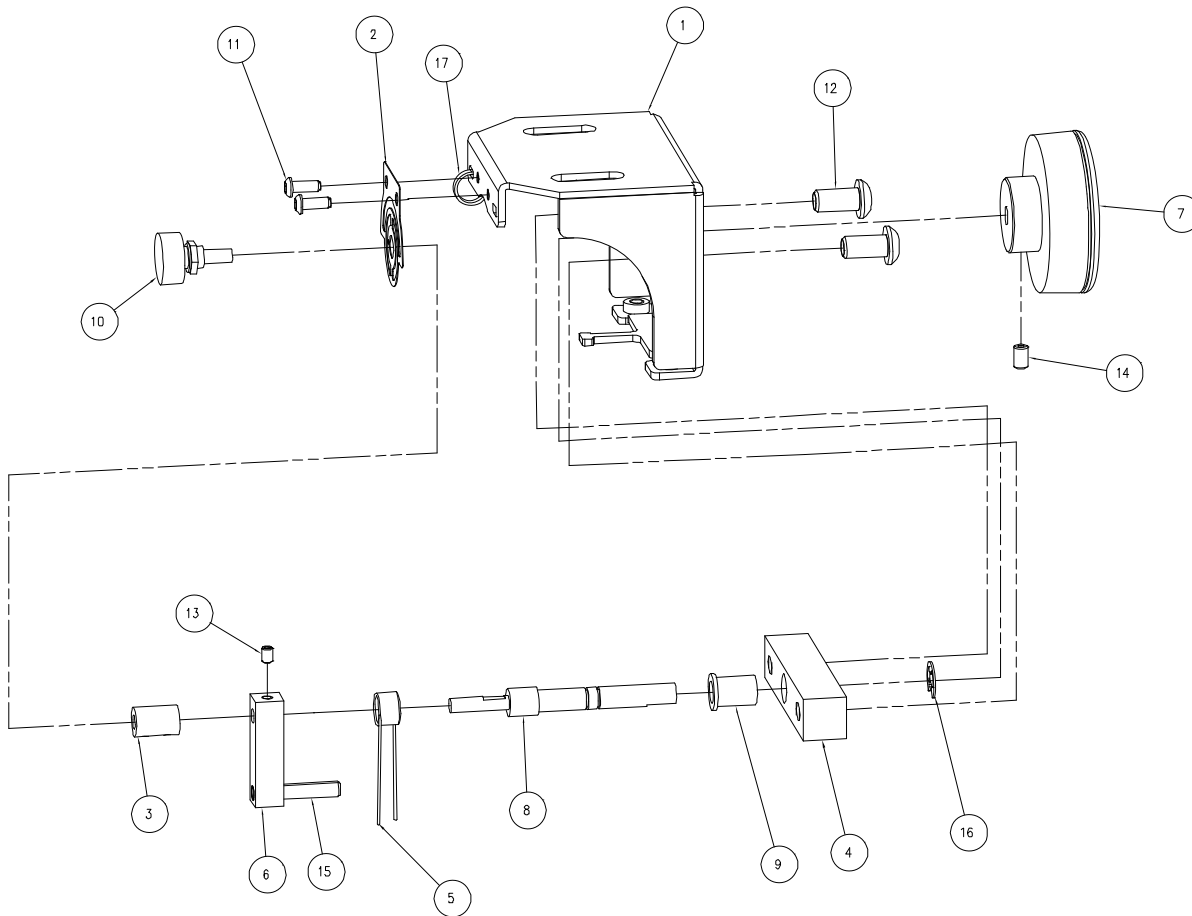


INSET "A"
SCALE: 2X

NO.	PART NO.	DESCRIPTION OF ACCESSORIES	QTY
1	49114	PAPER DEFLECTOR	1
2	49117	KNIFE BAR FOLLOWER	1
3	49113-1	PAPER DEFLECTOR GUIDE	1
4	49119	PIN - PAPER DEFLECTOR SPRING MOUNT	1
5	49112	SPRING - PAPER DEFLECTOR	1
6	4811B	PIN - PAPER DEFLECTOR SPRING MOUNT	1
7	49116	SHAFT - PAPER DEFLECTOR	1
8	H-6910-63202	SCREW - #6-32 X 1/4 BUTT	4
9	H-7321-#6	WASHER - #6 PLATED	4
10	49184-1	HOLD DOWN BLOCK	1
11	49185	BEARING	1
12			
13	H-7324-8	WASHER - 1/4 INT. TOOTH	2
14	H-215-187-1000	3/16 X 1 ROLL PIN	2
15	S-1073-37	3/8 - RET. RING	2
16	H-5246-212	PIN - 1/8 X 1-1/2 DOWEL	1
17	H-7321-4	WASHER - 1/4 PLAIN	2
18	S-2021-1	PLUNGER - SPRING	1
19			
20			
21	H-6938-83204	SCREW - #8-32 X 1/4 SOC SET	1
22	H-6910-102403	SCREW - #10-24 X 3/8 BUTT HD.	1
23			
24	H-6918-408	SCREW - 1/4-20 X 1 SHCS	4
25	H-215-250-0500	1/4 X 1/2 ROLL PIN	1

13.6 Backgauge Control Assembly

49249 Rev."J"



NO.	PART NO.	DESCRIPTION OF ACCESSORIES	QTY
1	49248-1	BACKGAUGE CONTROL BRACKET	1
2	49261	ENCODER MOUNTING BRACKET	1
3	56676-1	COUPLING	1
4	63210-1	FRONT PILLOW BLOCK	1
5	63213	TORSION SPRING	1
6	63214	ACTUATOR	1
7	63218	KNOB	1
8	63221	CONTROL KNOB SHAFT	1
9	EE-3213	POTENTIOMETER	1
10	H-6423-#10	NUT - #10-24 HEX KEP	2
11	H-6910-102404	SCREW - #10-24 X 1/2 BUTTON HEAD CAP	2
12	H-6910-606	SCREW - 3/8-16 X 3/4 BUTTON HEAD CAP	2
13	H-6940-102404	SCREW - #10-24 X 1/4 FLAT SOC SET	1
14	H-6940-406	SCREW - 1/4-20 X 3/8 FLAT SOC SET	1
15	H-21S-250-1500	ROLL PIN - 1/4 X 1-1/2	1
16	S-1193-37	E-RING - 3/8"	1
17	S-1694	TYRAP	1

NOTES

Controls Asm. – Cut Switch/Main Disc. – EE-3383 Rev."D" (Cont)

NOTES:

1) STRIP WIRE INSULATION BACK 1/4" BOTH ENDS.

2) WIRE TAG ALL WIRES AS SHOWN – BOTH ENDS.

3) ATTACH THE SWITCH FACE TO THE SWITCH BOX USING THE SUPPLIED LOCK WASHER

4) ATTACH WIRE #L1 TO SWITCH TERM. #L1
 ATTACH WIRE #L2 TO SWITCH TERM. #L2
 ATTACH WIRE #L3 TO SWITCH TERM. #L3
 ATTACH WIRE #M1 TO SWITCH TERM #T1
 ATTACH WIRE #M2 TO SWITCH TERM #T2
 ATTACH WIRE #M3 TO SWITCH TERM #T3

5) PLACE LABEL ON THE INSIDE OF BOX, BOTTOM BY THE GROUND STUD.

6) PLACE LABEL ON THE OUTSIDE OF BOX, BOTTOM BY THE MAIN DISCONNECT SWITCH.

7) STRIP CABLE JACKET BACK 4" – BOTH ENDS. SEE CHART #1 FOR WIRE COLORS & NUMBERS.

8) STRIP CABLE JACKET BACK 4" ON SWITCH END AND 16" ON THE OTHER END. SEE CHART #2 FOR WIRE COLORS & NUMBERS. CUT OFF GREEN WIRE – BOTH ENDS.

CHART #1
ITEM #4

64	BLUE
55	WHITE
43	ORANGE
34	GREEN
32	BLACK
25	RED
WIRE NO.	COLOR

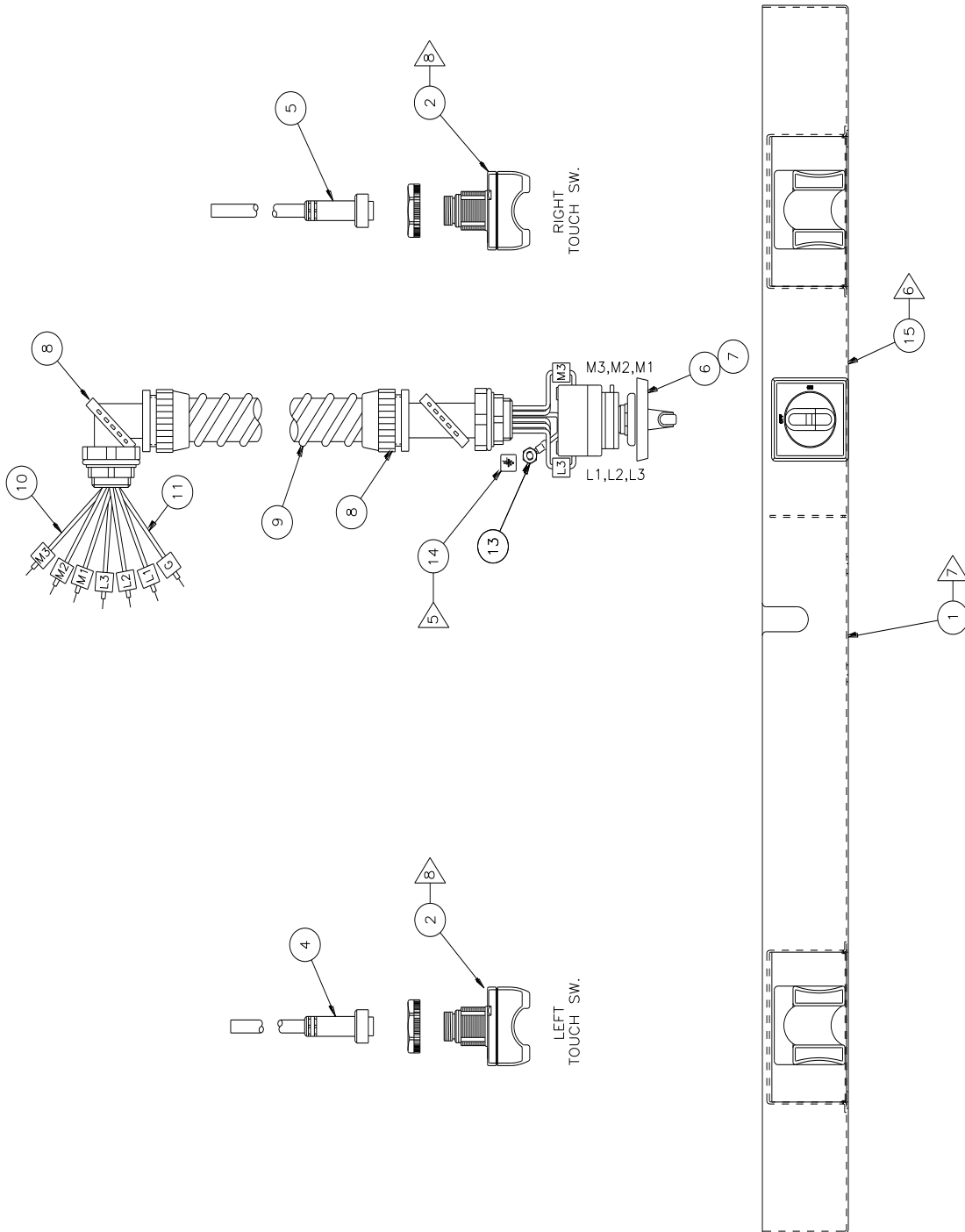
CHART #2
ITEM #3

64	BLUE
55	WHITE
53	YELLOW
49	BROWN
35	ORANGE
32	BLACK
25	RED
WIRE NO.	COLOR

NO.	PART NO.	DESCRIPTION OF ACCESSORIES	QTY
1	49253	CONTROL BOX ASSEMBLY – 370X	1
2	E-3127-4	PUSHBUTTON SWITCH – MUSHROOM, 3 N.O.	2
3	E-2078-3	CABLE – #18GA. 8 COND. 49" LONG	1
4	E-2078	CABLE – #18GA. 6 COND. 38" LONG	1
5	E-3082	SWITCH – MAIN DISCONNECT (BODY)	1
6	E-3083	SWITCH FACE – MAIN DISCONNECT	1
7			
8	E-2190-2	3/4" CONDUIT CONNECTOR – 90°	2
9	E-2189-2	CONDUIT – PLASTIC, 18" LONG	1
10	E-1213-B	WIRE – #10 GA. BLACK MTW 38" LONG	6
11	E-2743-1	WIRE – #14 GA. GRN/YEL TEW 38" LONG	1
12	E-1214-64	CONNECTOR – 1/4" RING (16-14GA)	1
13	H-6423-4	NUT – 1/4-20 HEX	1
14	S-1781-42	LABEL – GROUND SYMBOL, SECONDARY	1
15	S-1781-11	LABEL – ELECTRIC SHOCK	1
16	E-1237-6	WIRE NUT – BLUE	3

13.8 Controls Asm. – Touch Switch/Main Disconnect (Optional)

EE-3383-1 rev."A" Sheet 1



Controls Asm. – Touch Switch/Main Disc. – (Cont) EE-3383-1 Rev “A” Sheet 1

NOTES:

- 1) STRIP WIRE INSULATION BACK 1/4” BOTH ENDS.
- 2) WIRE TAG ALL WIRES AS SHOWN – BOTH ENDS.
- 3) ATTACH THE SWITCH FACE TO THE SWITCH BOX USING THE SUPPLIED LOCK WASHER
- 4) ATTACH WIRE #L1 TO SWITCH TERM. #L1
ATTACH WIRE #L2 TO SWITCH TERM. #L2
ATTACH WIRE #L3 TO SWITCH TERM. #L3
ATTACH WIRE #M1 TO SWITCH TERM. #T1
ATTACH WIRE #M2 TO SWITCH TERM. #T2
ATTACH WIRE #M3 TO SWITCH TERM. #T3
ATTACH ITEM #12 TO GREEN WIRE (SWITCH END) AND THEN ATTACH THE GREEN WIRE TO THE STUD INSIDE OF BOX
- 5) PLACE LABEL ON THE INSIDE OF BOX, BOTTOM BY THE GROUND STUD.
- 6) PLACE LABEL ON THE OUTSIDE OF BOX, BOTTOM BY THE MAIN DISCONNECT SWITCH.
- 7) OPEN THE TWO CUT BUTTON SWITCH HOLES TO 1-3/16” DIA.
- 8) INSTALL SWITCHES SO THAT THE SWITCH INDICATOR LIGHTS ARE FACING UP TOWARDS THE OPERATOR WHEN THE BOX IS INSTALLED ON THE MACHINE.

NO.	PART NO.	DESCRIPTION OF ACCESSORIES	QTY
1	49253	CONTROL BOX ASSEMBLY – 370X	1
2	E-3347	SWITCH – ERGO TOUCH	2
3	EE-3350-2	CONTROLLER – ASM. – TOUCH SWITCH	1
4	EE-3348-2	CABLE ASM. – TOUCH SWITCH, LH	1
5	EE-3349-2	CABLE ASM. – TOUCH SWITCH, RH	1
6	E-3083	SWITCH FACE – MAIN DISCONNECT	1
7	E-3082	SWITCH – MAIN DISCONNECT (BODY)	1
8	E-2190-2	3/4” CONDUIT CONNECTOR – 90°	2
9	E-2189-2	CONDUIT – PLASTIC, 18” LONG	1
10	E-1213-B	WIRE – #10 GA. BLACK MTW 38” LONG	6
11	E-2743-1	WIRE – #14 GA. GRN/YEL TEW 38” LONG	1
12	E-1214-64	CONNECTOR – 1/4” RING (16-14GA)	1
13	H-6423-4	NUT – 1/4-20 HEX	1
14	S-1781-42	LABEL – GROUND SYMBOL, SECONDARY	1
15	S-1781-11	LABEL – ELECTRIC SHOCK	1