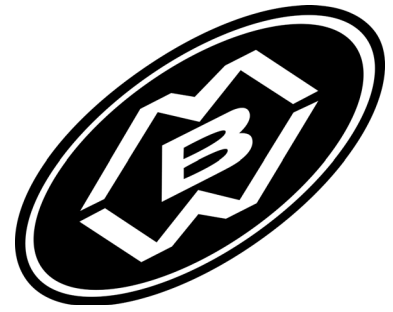


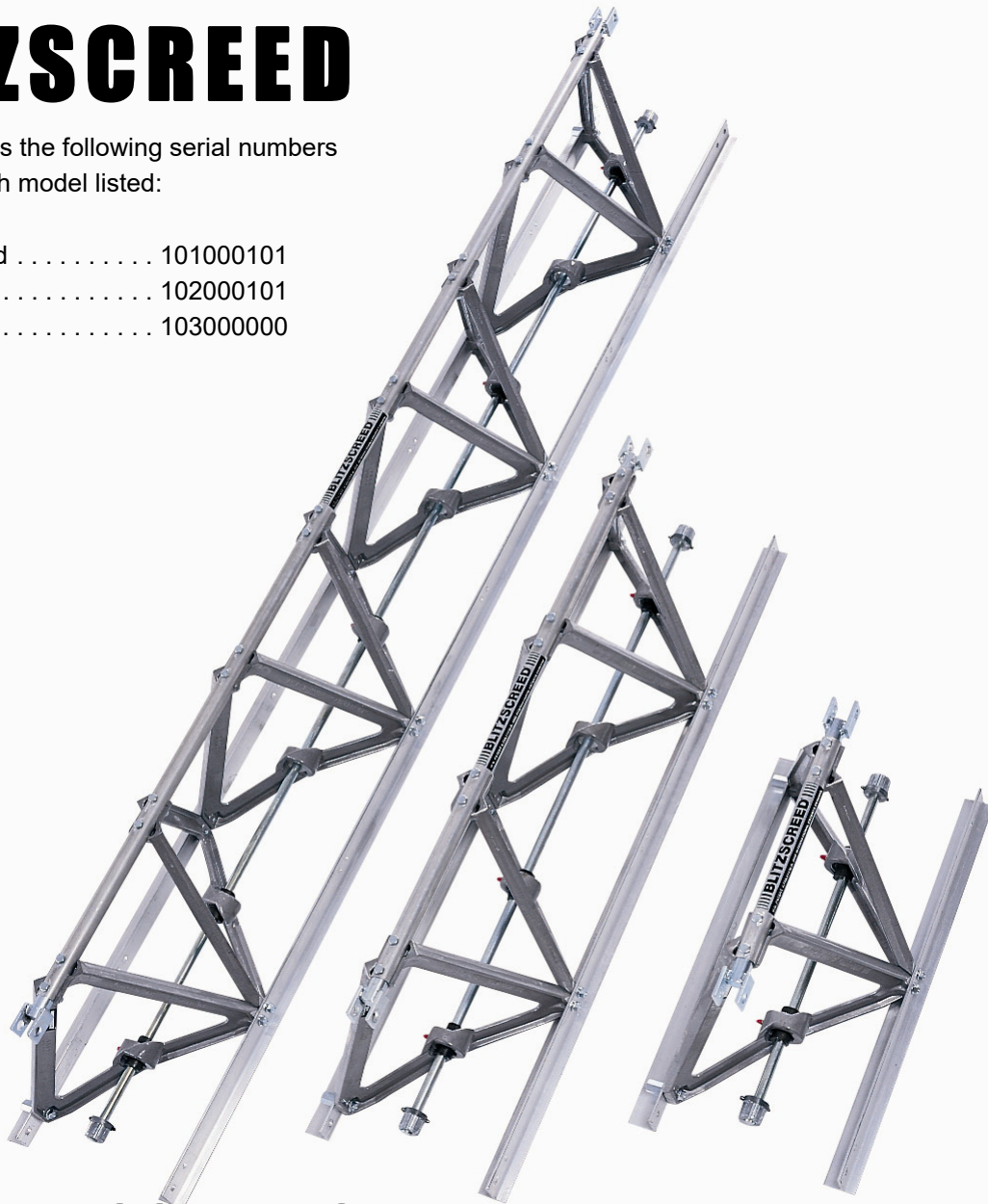
OPERATOR'S SAFETY AND SERVICE MANUAL



BLITZSCREED

This manual covers the following serial numbers
and higher for each model listed:

Mechanical Screed	101000101
Air Screed	102000101
Power Winch	103000000



CONCRETE SCREEDS

MBW, Inc.
250 Hartford Rd • PO Box 440
Slinger, WI 53086-0440
Phone: (262) 644-5234
Fax: (262) 644-5169
Email: mbw@mbw.com
Website: www.mbw.com

MBW (UK) Ltd.
Units 2 & 3 Cochrane Street
Bolton BL3 6BN, England
Phone: 01204 387784
Fax: 01204 387797

MBW FRANCE S.A.R.L.
Phone: +33 (0) 3 44 07 15 96
Fax: +33 (0) 3 44 07 41 28

L2335 / 02.21.S
©MBW, Inc. 2021
Printed in the USA

OPERATING INSTRUCTIONS

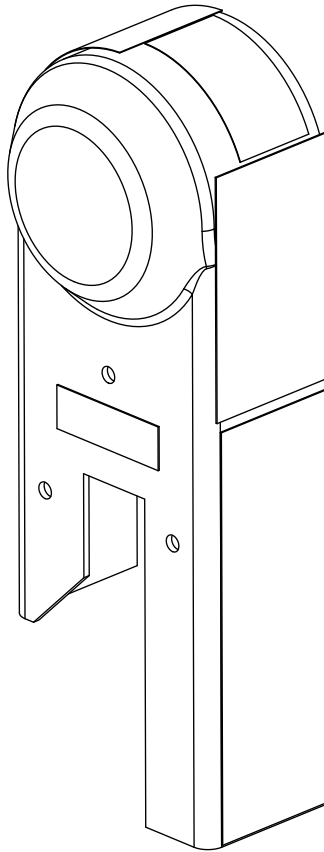
1. Check oil in engine crankcase.
2. Open fuel valve; choke as necessary.
3. Set throttle to run position.
4. Pull starter rope.
5. After starting, turn choke off, let engine warm up at idle.
6. Observe SAFETY PRECAUTIONS in the owner's manual during operation.
7. TO STOP: Return throttle to idle position, close fuel valve, switch to STOP.

MODE D'EMPLOI

1. Vérifier le niveau d'huile dans le carter du moteur.
2. Ouvrir le volet à carburant. Engager le doseur comme nécessaire.
3. Mettre l'accélérateur à la position "RUN" (MARCHE).
4. Tirer sur la corde de démarrage.
5. Dégager le doseur une fois que le moteur commence à marcher. Laisser le moteur se réchauffer au ralenti.
6. Suivre les PRECAUTIONS DE SECURITE énumérées dans le manuel de l'utilisateur pendant la marche.
7. ARRÊT: Remettre l'accélérateur à la position ralenti, fermer le volet à carburant, mettre le commutateur à la position "STOP" (ARRÊT).

8875

08875

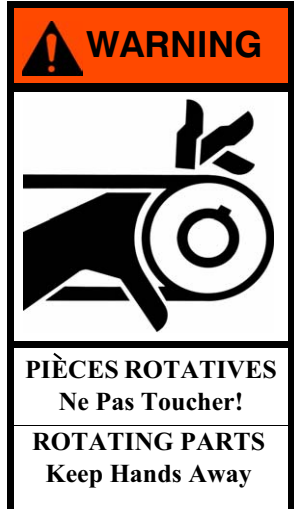


WARNING

Operating, servicing and maintaining this equipment can expose you to chemicals, including engine exhaust, phthalates and lead, which are known to the state of California to cause cancer and birth defects or other reproductive harm. Avoid breathing engine exhaust. Do not operate equipment in confined areas. For more information go to www.P65Warnings.ca.gov

21820

21820

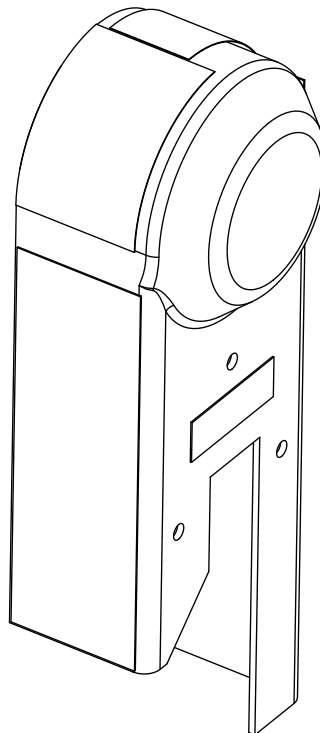


11640



09095

09095



CAUTION

Read the operating instructions before operating this piece of equipment.

Keep unauthorized, inexperienced, untrained people away from this equipment.

CHECK safety switch frequently for proper operation.

ROTATING & MOVING PARTS! Make sure all guards and safety devices are in place.

DO NOT RUN this machine in an enclosed area. The engine produces carbon monoxide, a **POISONOUS** gas.

SHUT OFF the engine before servicing, cleaning or adding fuel.

Failure to comply could result in serious bodily injury.

Lire le Mode d'Emploi avant de faire fonctionner le matériel

Eloigner toute personne non formée, non autorisée et inexpérimentée du matériel.

VÉRIFIER fréquemment l'interrupteur de sécurité pour un bon fonctionnement.

PIÈCES TOURNANTES ET MOBILES! S'assurer que tous les protecteurs et les dispositifs de sécurité sont en place.

NE PAS FAIRE FONCTIONNER le matériel dans les lieux clos. Le moteur produit de l'oxyde de carbone, un gaz **TOXIQUE**.

ARRÊTER le moteur avant d'entretenir ou de nettoyer, et avant d'y ajouter de l'essence.

L'inobservation des consignes de sécurité risque de provoquer de graves blessures corporelles.

1447

01447

Safety Decals

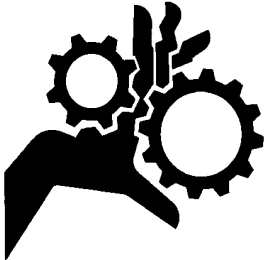
ENGAGE →
← CABLE OUT
← CABLE IN

15361

AUTO STOP MUST BE ADJUSTED EACH TIME SCREED LENGTH OR OPERATING CONDITIONS CHANGE. SET TRAVEL SPEED, THEN INCREASE OR DECREASE AUTO STOP RESISTANCE TO A POINT SLIGHTLY HIGHER THAN REQUIRED TO MAINTAIN DESIRED TRAVEL SPEED.

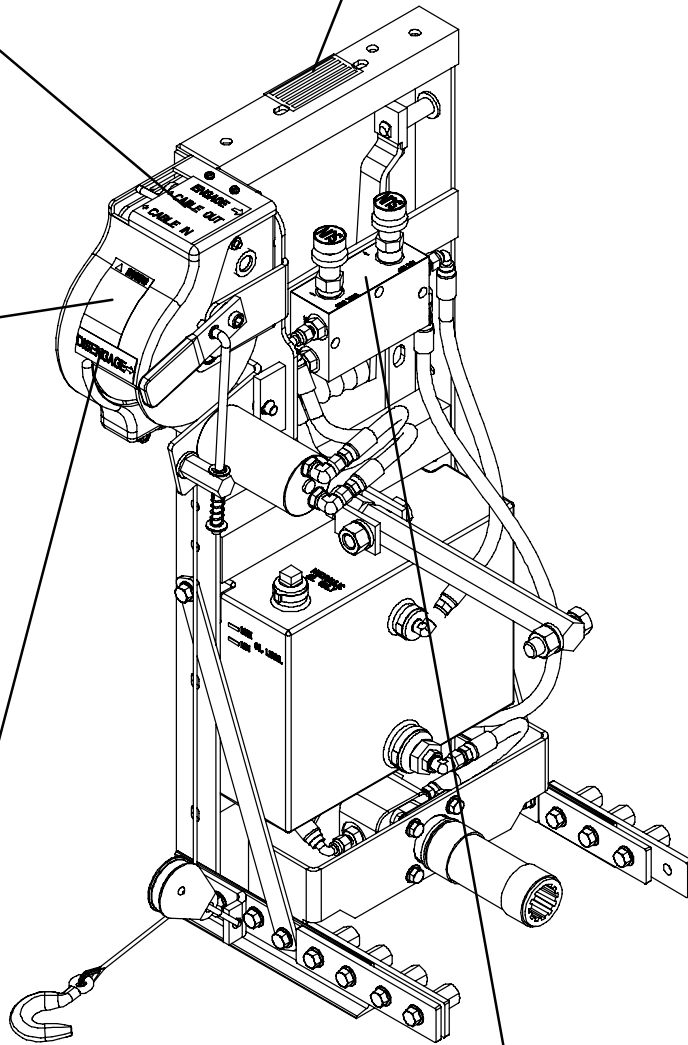
15399

WARNING



ROTATING PARTS
 Keep hands away!

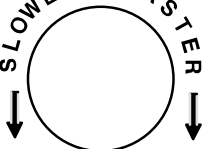
15518




DISENGAGE →

15634

TRAVEL SPEED

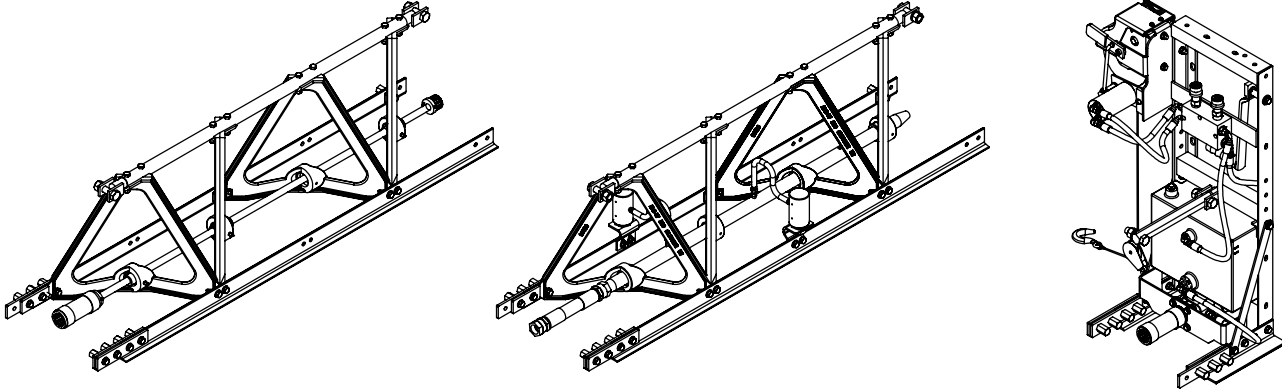


AUTO STOP



15400

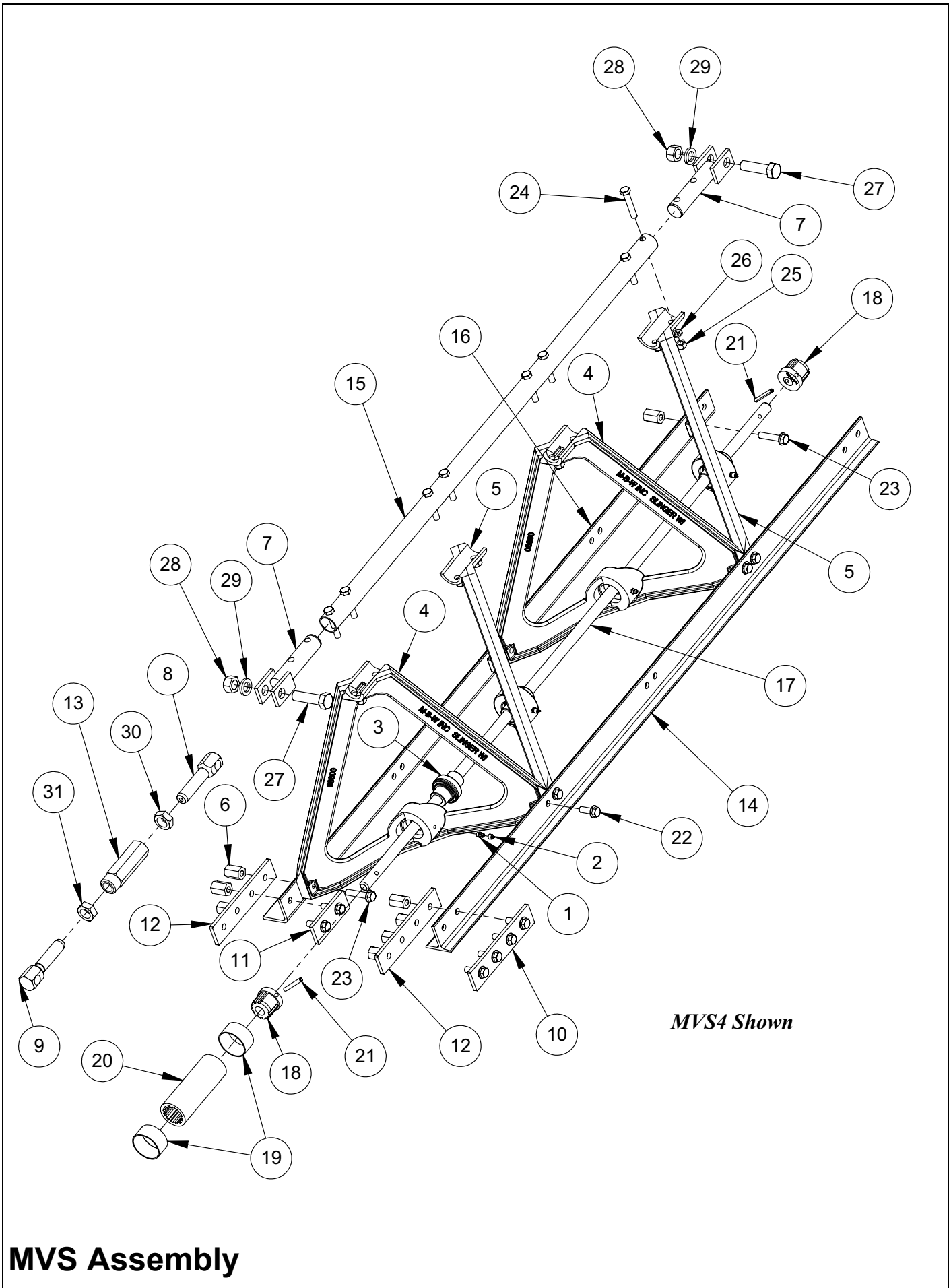
SPECIFICATIONS



	MECHANICAL	AIR
Length	MVS8 - 8 ft 4 in (2.54 m)	AVS8 - 8 ft 4 in (2.54 m)
	MVS4 - 4 ft 4 in (1.32 m)	AVS4 - 4 ft 4 in (1.32 m)
	MVS2 - 2 ft 4 in (0.71 m)	AVS2 - 2 ft 4 in (0.71 m)
Rails	Front "T" Profile Rail (Standard) Front "L" Profile Rail (Optional) Rear "L" Profile Rail (Standard)	
Truss Height	16 in (40.7 cm)	
Truss Width	15 in (38.1cm)	
Max Section Misalignment	2.75 Degrees	2.75 Degrees
Weight Approx.	8.3 lb/ft (12 kg/m) (excluding engine)	8.9 lb/ft (13.2 kg/m) (excluding regulator kit)
Engine	Robin EX170	N/A
	Honda GX160	
	Honda GX270	
Engine Speed	2800 RPM (max.)	
Eccentric Shaft Speed	2800 RPM (max.)	
Centrifugal Force / Unit Length	15.0 lb/ft (220 N/m) @ 2800 RPM	
Vibrations per Minute		5000-8000
Air Operating Pressure	N/A	40-60 psi (0.28-0.41 MPa)
Air Usage		4 cfm (0.11 m ³ /min) / vibrator

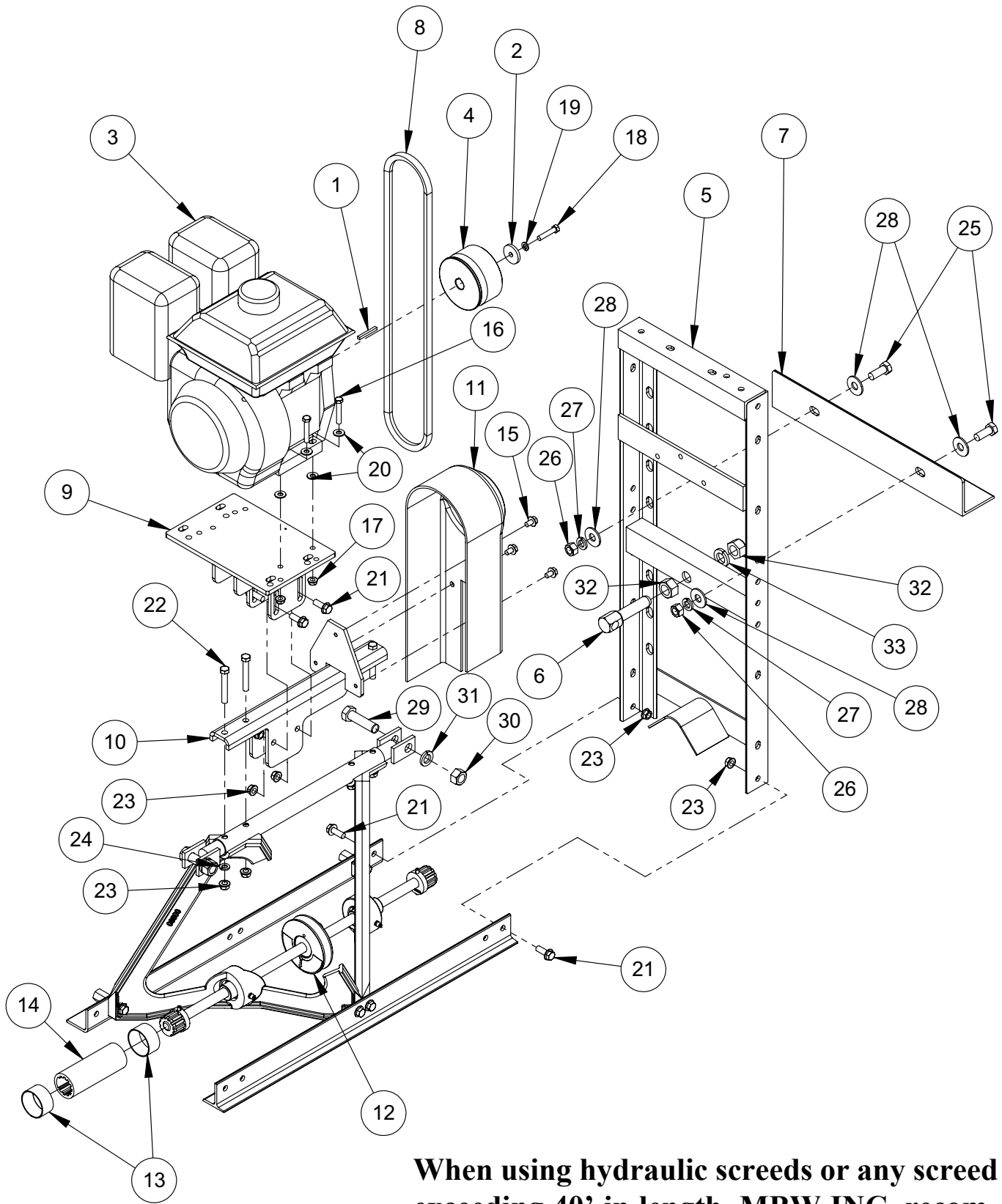
HYDRAULIC WINCH	
Noise Level	89 dba
Weight	82 lb/side (37 kg/side)
Length	10 in (25.4 cm)
Height	34 in (86.4 cm)
Oil Capacity	1.7 gal (6.4 l)
Width	9.75 in (24.8 cm)
Speed	0-16.7 ft/min (0-5.1 m/min)

Specifications subject to change without notice.



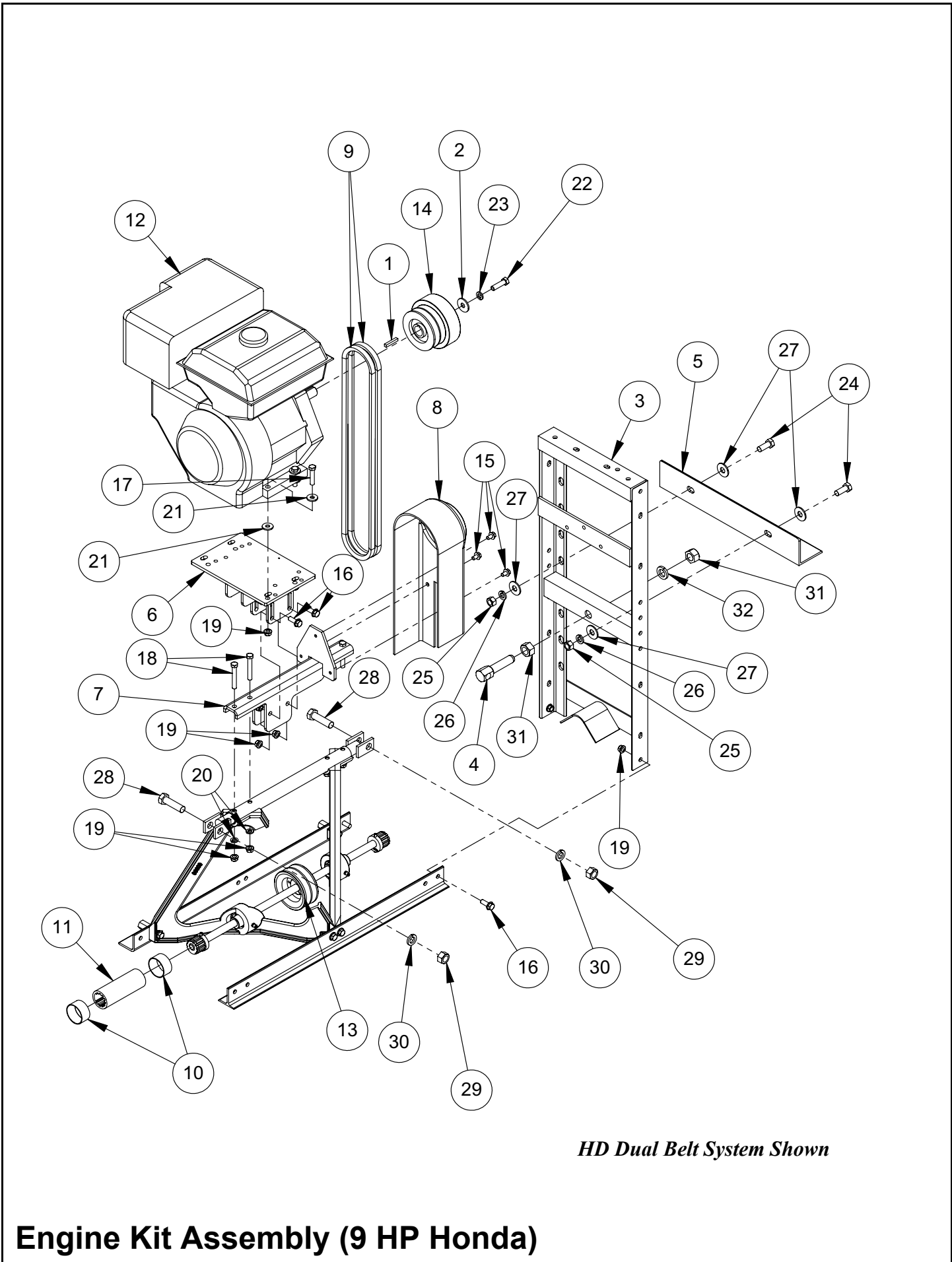
MVS Assembly

ITEM	PART NO.	DESCRIPTION	MVS2	MVS4	MVS8
1.	01177	FITTING, GREASE 1/4-28 THD (Before Serial #101017325)	2	3	5
2.	21068	FITTING, GREASE 3/8-24 THD (After Serial #101017326)	2	3	5
	01427	CAP, GREASE (1 CAP)			
3.	08804	BEARING, RADIAL BALL (INCLUDES 2 SHSS, 5/16-24 X 5/16)	2	4	5
4.	08805	A-FRAME, MACHINED LEFT	1	2	4
5.	08806	A-FRAME, MACHINED RIGHT	1	2	4
6.	08818	NUT, BLIND ZP, PLATED	8	8	8
7.	08828	CLEVIS, PLATED	2	2	2
8.	08829	EYE, PLATED TURNBUCKLE RH	1	1	1
9.	08830	EYE, PLATED TURNBUCKLE LH	1	1	1
10.	08831	PLATE ASM, SPLICE	1	1	1
11.	08832	PLATE ASM, SPLICE SHORT	1	1	1
12.	08838	PLATE, SPLICE	2	2	2
13.	08839	TURNBUCKLE, PLATED	1	1	1
14.	08846	EDGING, STRIKEOFF 2 FT	1	0	0
	08847	EDGING, STRIKEOFF 4 FT	0	1	0
15.	08848	EDGING, STRIKEOFF 8 FT	0	0	1
	08850	TUBE, TOP 2 FT	1	0	0
	08851	TUBE, TOP 4 FT	0	1	0
	08852	TUBE, TOP 8 FT	0	0	1
16.	08871	EDGING, FLOAT 2 FT	1	0	0
	08872	EDGING, FLOAT 4 FT	0	1	0
17.	08873	EDGING, FLOAT 8 FT	0	0	1
	08995	SHAFT, MAIN SECTION, 2 FT	1	0	0
	08997	SHAFT, MAIN SECTION, 4 FT	0	1	0
	08999	SHAFT, MAIN SECTION, 8 FT	0	0	1
18.	09081	DRIVER, KEYED	2	2	2
19.	11734	COLLAR, FLEX COUPLING	2	2	2
20.	09076	COUPLER KIT (INCLUDES COUPLING AND COLLARS)	1	1	1
21.	12554	SPIROL PIN (HEAVY DUTY)	2	2	2
22.	F061608FWS	FWLS, 3/8-16 X 1 ZP	2	6	14
23.	F061614FWS	FWLS, 3/8-16 X 1-3/4 ZP	2	2	2
24.	F061616HCS	HHCS, 3/8-16 X 2 GR5 ZP	4	8	16
25.	F0616HN	NUT, HEX 3/8-16 ZP	4	8	16
26.	F06LW	LOCKWASHER, 3/8 ZP	4	8	16
27.	F101818HCS	HHCS, 5/8-18 X 2-1/4 GR5 ZP	2	2	2
28.	F1018HN	NUT, HEX 5/8-18 ZP	2	2	2
29.	F10LW	LOCKWASHER, 5/8 ZP	2	2	2
30.	F1216HJN	NUT, HEX JAM 3/4-16 ZP	1	1	1
31.	F1216HJN-LH	NUT, HEX JAM 3/4-16 (LH) ZP	1	1	1
		ACCESSORIES, KITS & ASSEMBLIES			
	02535	KIT, TURNBUCKLE BLITZSCREED (Includes 8, 9, 13, 29 & 30)			
	08841	A-FRAME ASSEMBLY, LEFT (Includes 1, 2, 3 & 4)			
	08842	A-FRAME ASSEMBLY, RIGHT (Includes 1, 2, 3 & 5)			
	08899	KIT, HARDWARE BLITZSCREED (Includes 6, 8, 9, 10, 11, 12, 13, 18, 26, 27, 28, 29 & 30)			



When using hydraulic screeds or any screed exceeding 40' in length, MBW INC. recommends the use of the 9 HP engine.

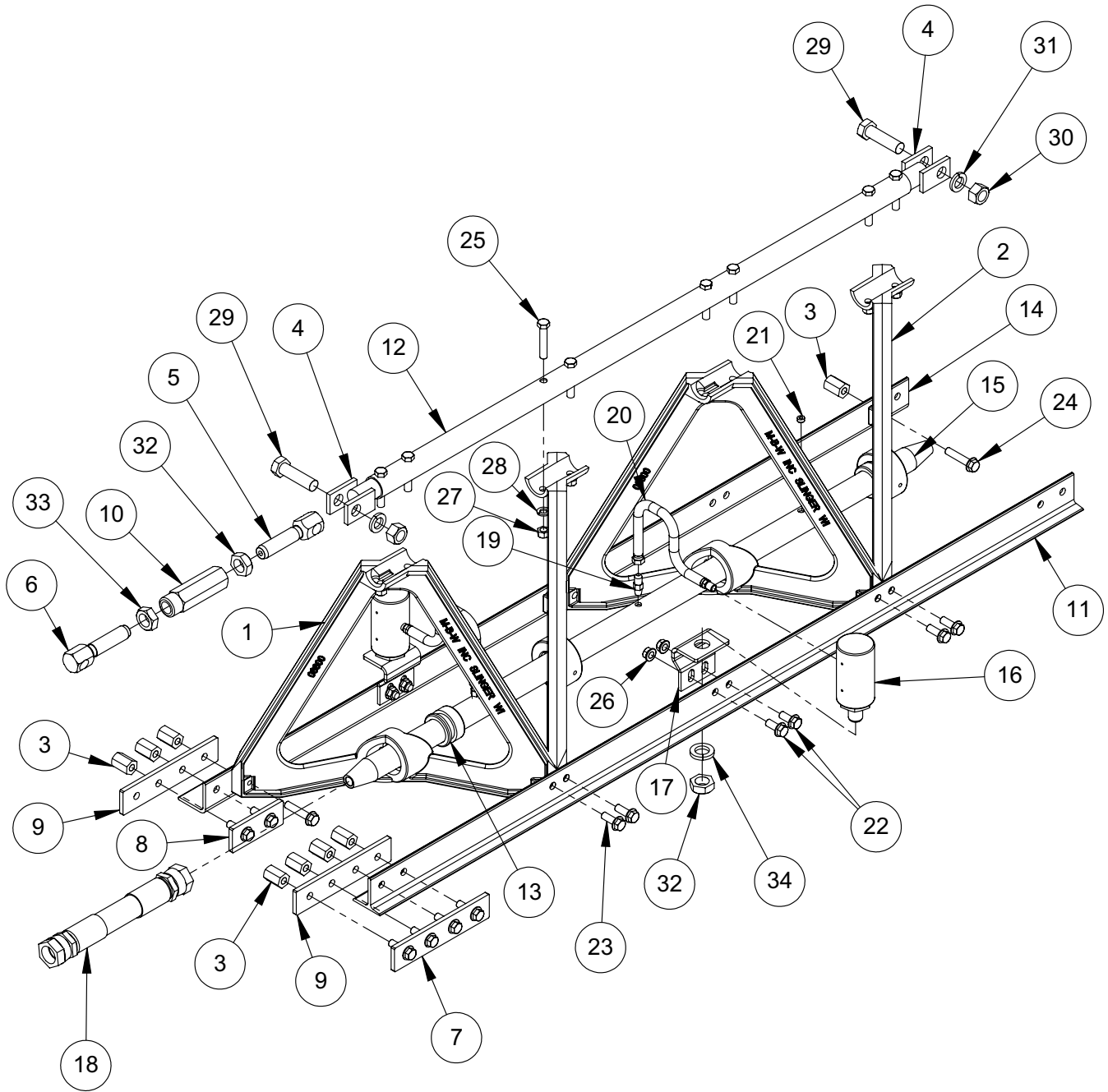
Engine Kit Assembly (5.5 HP Honda)



HD Dual Belt System Shown

Engine Kit Assembly (9 HP Honda)

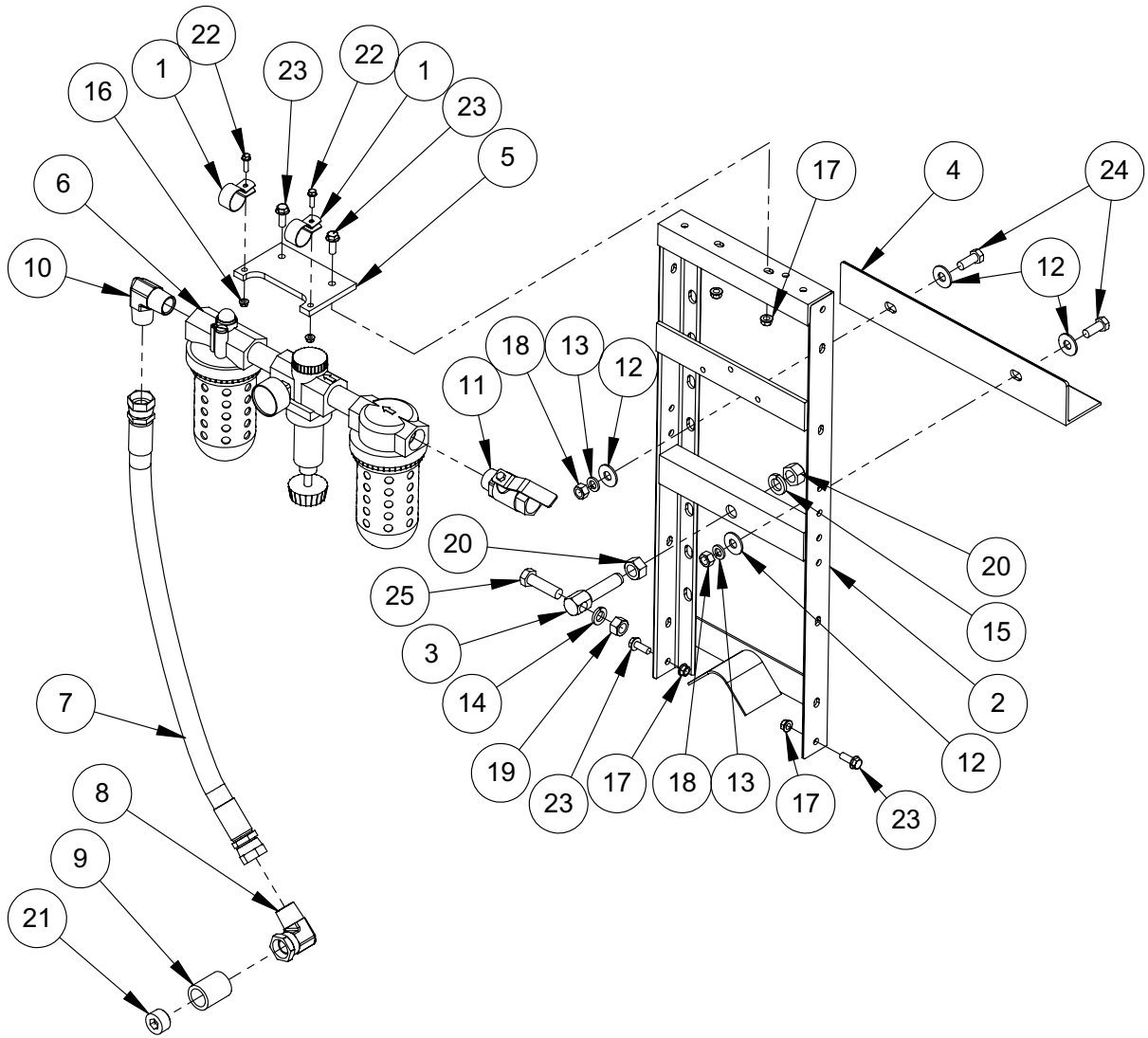
ITEM	PART NO.	DESCRIPTION	STD	HD
1.	01161	KEY, 1/4 SQ X 1-1/2	1	1
2.	06638	WASHER, SPECIAL 15/32 ID	1	1
3.	08808	WELDMENT, END BRACKET	2	2
4.	08829	EYE, PLATED TURNBUCKLE RH	2	2
5.	08885	BRACKET, WALL	1	1
6.	09087	DECK WELDMENT, ENGINE	1	1
7.	09090	MOUNTING BRACKET, ENGINE	1	1
8.	09092	BELTGUARD, SCREED	1	1
9.	09096	V-BELT (A-49)	2	4
10.	11734	COLLAR, FLEX COUPLING	2	2
11.	09076	COUPLER KIT (INCLUDES COUPLING AND COLLARS)	1	1
12.	15674	ENGINE, GX270QA 9 HP	1	1
13.	16272	SHEAVE ASM, DUAL GROOVE	0	1
	09126	SHEAVE ASM, SINGLE GROOVE	1	0
14.	17149	CLUTCH, DUAL GROOVE	0	1
	06606	CLUTCH, SINGLE GROOVE	1	0
15.	F051804FWS	FWLS, 5/16-18 X 1/2 ZP	3	3
16.	F061608FWS	FWLS, 3/8-16 X 1 ZP	8	8
17.	F061614HCS	HHCS, 3/8-16 X 1-3/4 GR5 ZP	4	4
18.	F061620HCS	HHCS, 3/8-16 X 2-1/2 GR5 ZP	4	4
19.	F0616FN	FWLN, 3/8-16	16	16
20.	F06LW	LOCKWASHER, 3/8 ZP	4	4
21.	F06SW	WASHER, 25/64 X 1 X 1/8 ZP	8	8
22.	F072012HCS	HHCS, 7/16-20 X 1-1/2 GR5 ZP	1	1
23.	F07LW	LOCKWASHER, 7/16 ZP	1	1
24.	F081310HCS	HHCS, 1/2-13 X 1-1/4 GR5 ZP	2	2
25.	F0813HN	NUT, HEX 1/2-13 ZP	2	2
26.	F08LW	LOCKWASHER, 1/2 ZP	2	2
27.	F08SW	WASHER, 9/16 X 1-3/8 X 12 GA ZP	4	4
28.	F101818HCS	HHCS, 5/8-18 X 2-1/4 GR5 ZP	2	2
29.	F1018HN	NUT, HEX 5/8-18 ZP	2	2
30.	F10LW	LOCKWASHER, 5/8 ZP	2	2
31.	F1216HN	NUT, HEX 3/4-16 ZP	4	4
32.	F12LW	LOCKWASHER, 3/4 ZP	2	2



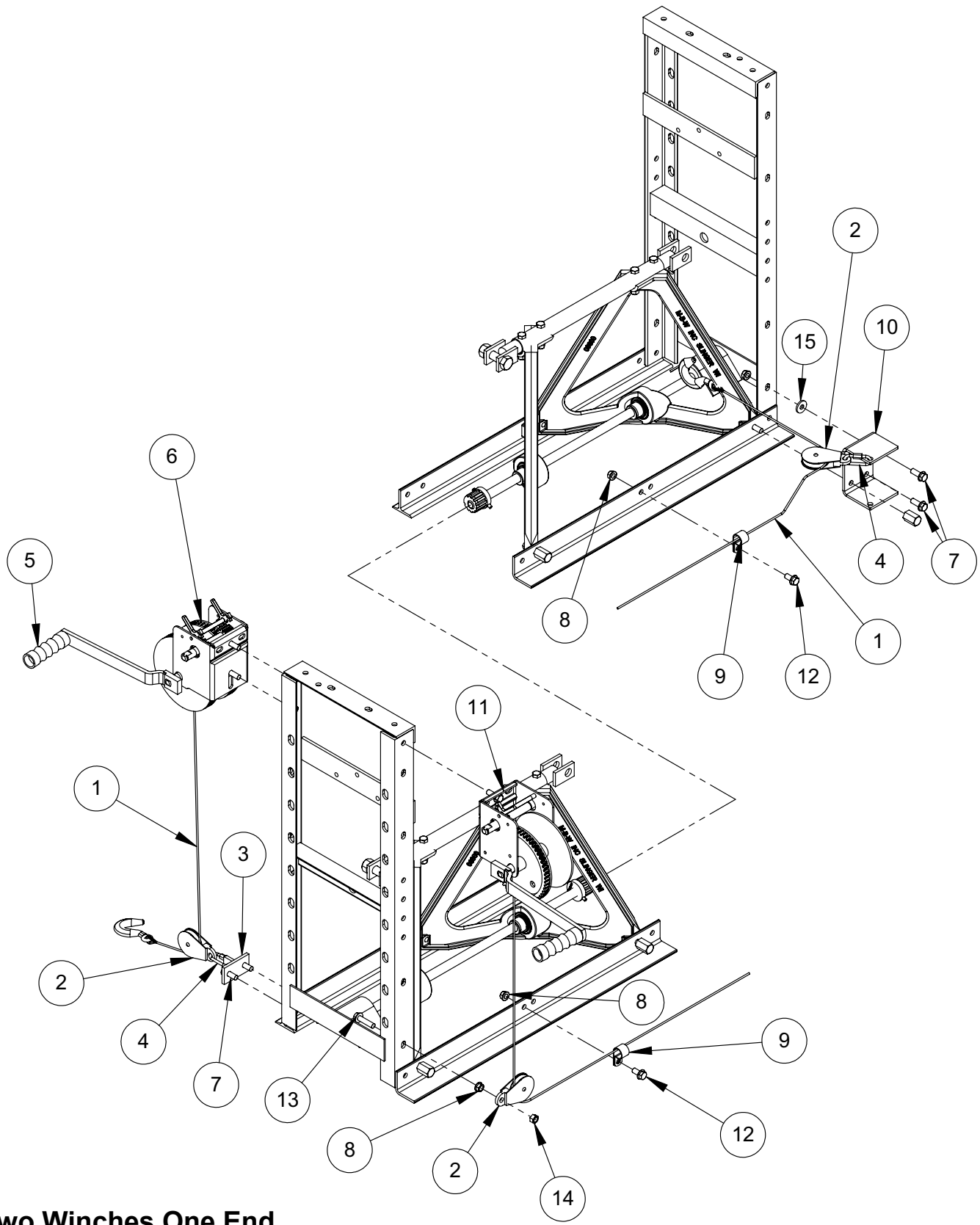
AVS4 Shown

AVS Assembly

ITEM	PART NO.	DESCRIPTION	AVS2	AVS4	AVS8
1.	08805	A-FRAME, LEFT (08800)	1	2	4
2.	08806	A-FRAME, RIGHT (08801)	1	2	4
3.	08818	NUT, BLIND ZP, PLATED	8	8	8
4.	08828	CLEVIS, PLATED	2	2	2
5.	08829	EYE, PLATED TURNBUCKLE RH	1	1	1
6.	08830	EYE, PLATED TURNBUCKLE LH	1	1	1
7.	08831	PLATE ASM, SPLICE	1	1	1
8.	08832	PLATE ASM, SPLICE SHORT	1	1	1
9.	08838	PLATE, SPLICE	2	2	2
10.	08839	TURNBUCKLE, PLATED	1	1	1
11.	08846	EDGING, STRIKEOFF 2 FT	1	0	0
	08847	EDGING, STRIKEOFF 4 FT	0	1	0
	08848	EDGING, STRIKEOFF 8 FT	0	0	1
12.	08850	TUBE, TOP 2 FT	1	0	0
	08851	TUBE, TOP 4 FT	0	1	0
	08852	TUBE, TOP 8 FT	0	0	1
13.	08870	GROMMET, TUBE MANIFOLD	2	2	4
14.	08871	EDGING, FLOAT 2 FT	1	0	0
	08872	EDGING, FLOAT 4 FT	0	1	0
	08873	EDGING, FLOAT 8 FT	0	0	1
15.	08912	MANIFOLD, AIR 2 FT SECTION	1	0	0
	08877	MANIFOLD, AIR 4 FT SECTION	0	1	0
	08902	MANIFOLD, AIR 8 FT SECTION	0	0	1
16.	08894	EXCITER, AIR	1	2	4
17.	08900	BRACKET, EXCITER AIR	1	2	4
18.	08905	HOSE, AIR 1 X 10	1	1	1
19.	08909	FITTING, ST PARKER 4-FTX-B	1	2	4
20.	09074	HOSE, AIR 1/4 X 9.90	1	2	4
21.	F0227SPP	SOCKET PIPE PLUG, 1/8-27	0	1	3
22.	F061607FWS	FWLS, 3/8-16 X 7/8 ZP	2	4	8
23.	F061608FWS	FWLS, 3/8-16 X 1 ZP	2	6	14
24.	F061614FWS	FWLS, 3/8-16 X 1-3/4 ZP	2	2	2
25.	F061616HCS	HHCS, 3/8-16 X 2 GR5 ZP	4	8	16
26.	F0616FN	FLANGE WHIZ-LOCK NUT, 3/8-16	2	4	8
27.	F0616HN	NUT, HEX 3/8-16 ZP	4	8	16
28.	F06LW	LOCKWASHER, 3/8 ZP	4	8	16
29.	F101818HCS	HHCS, 5/8-18 X 2-1/4 GR5 ZP	2	2	2
30.	F1018HN	NUT, HEX 5/8-18 ZP	2	2	2
31.	F10LW	LOCKWASHER, 5/8 ZP	2	2	2
32.	F1216HJN	NUT, HEX JAM 3/4-16 ZP	2	3	5
33.	F1216HJN-LH	NUT, HEX JAM 3/4-16 (LH) ZP	1	1	1
34.	F12LW	LOCKWASHER, 3/4 ZP	1	2	4
		ACCESSORIES, KITS & ASSEMBLIES			
	02535	KIT, TURNBUCKLE BLITZSCREED (Includes 5, 6, 10, 32 & 33)			
	08914	KIT, EXCITER AIR (Includes 16, 17, 19, 20, 22, 26, 32 & 34)			
	08917	KIT, HARDWARE AIR SCREED (Includes 3, 5, 6, 7, 8, 9, 10, 18, 29, 30, 31 & 32)			

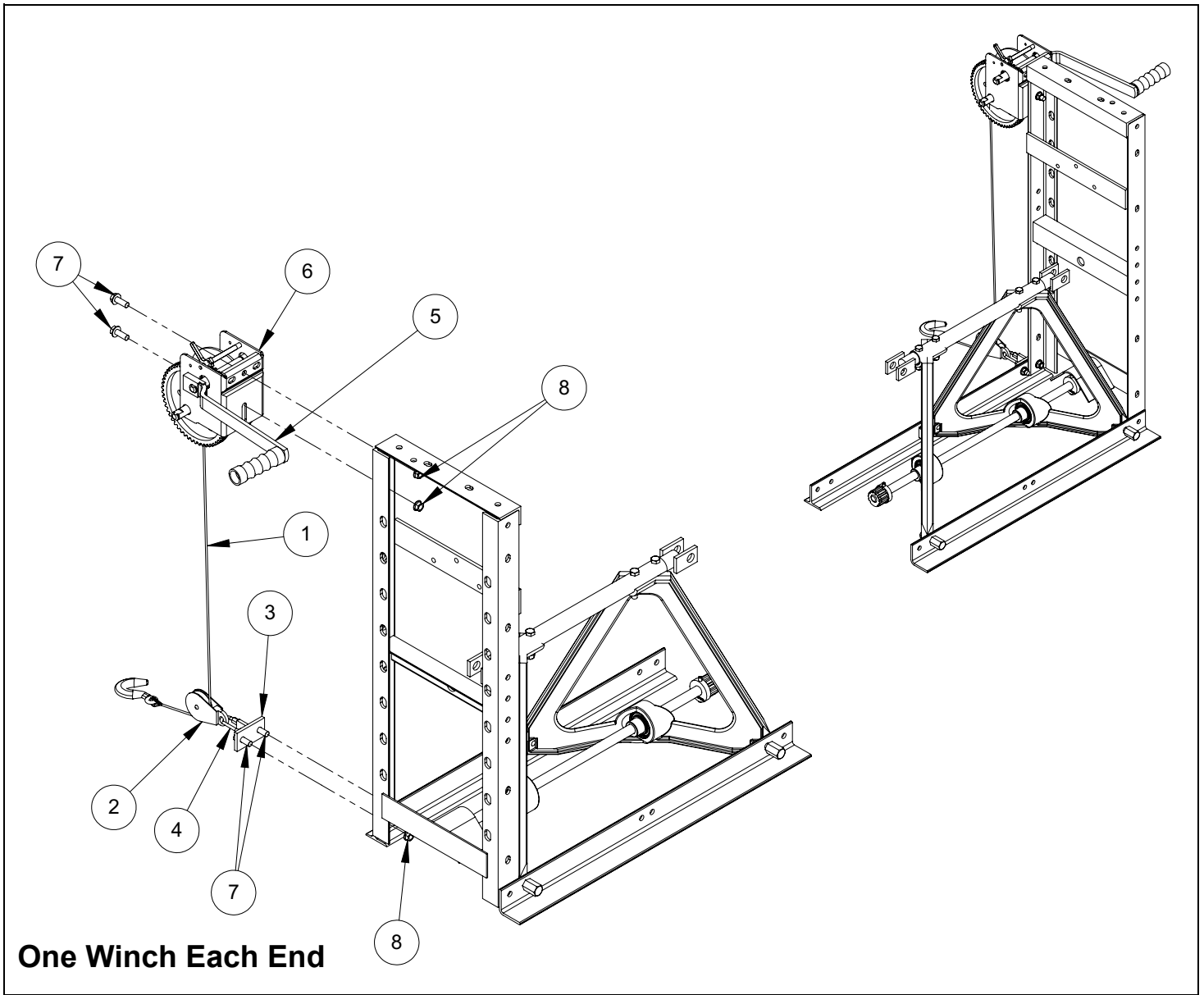


Air Regulator Kit Assembly



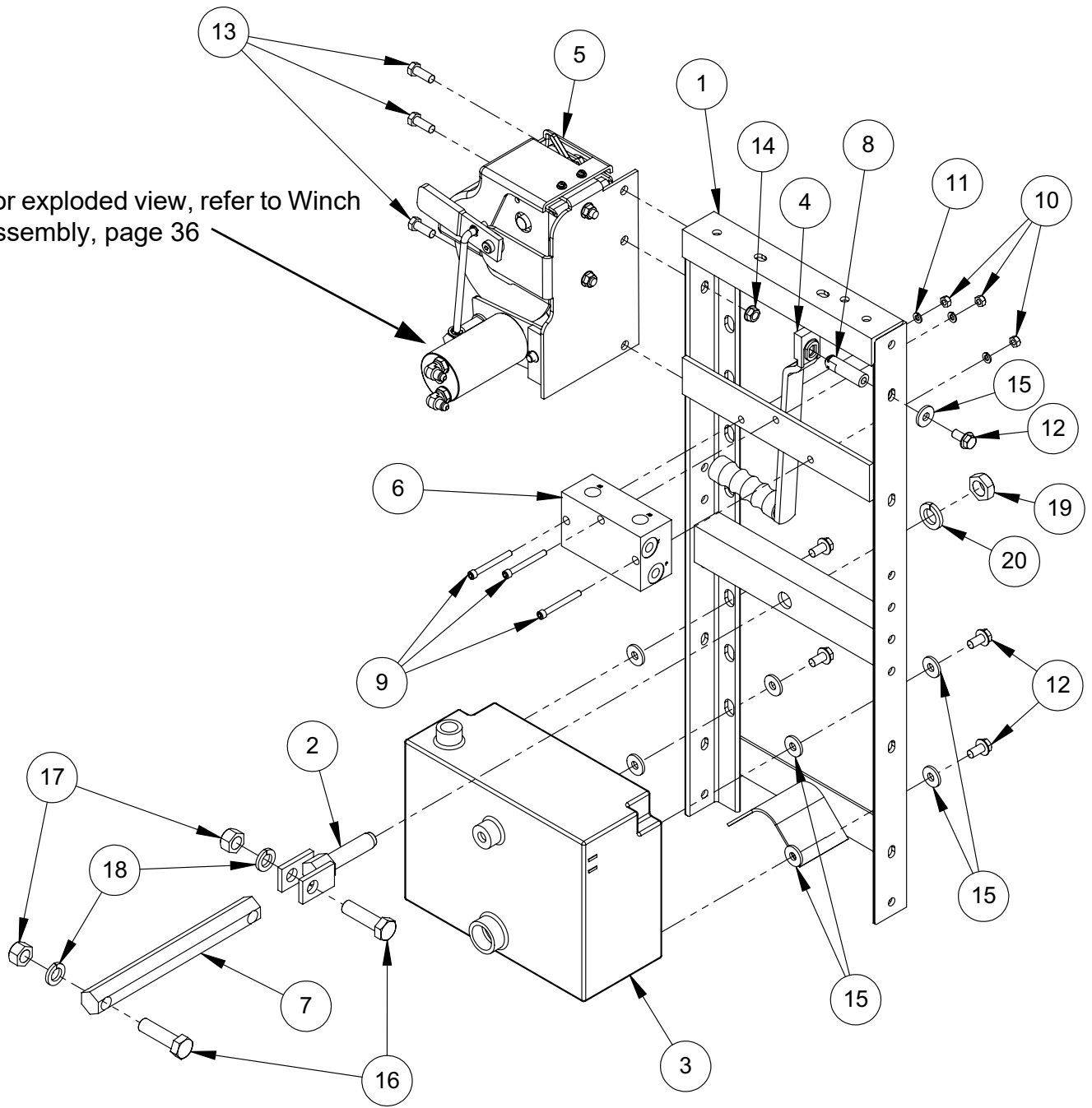
Two Winches One End

Hand Winch Kit

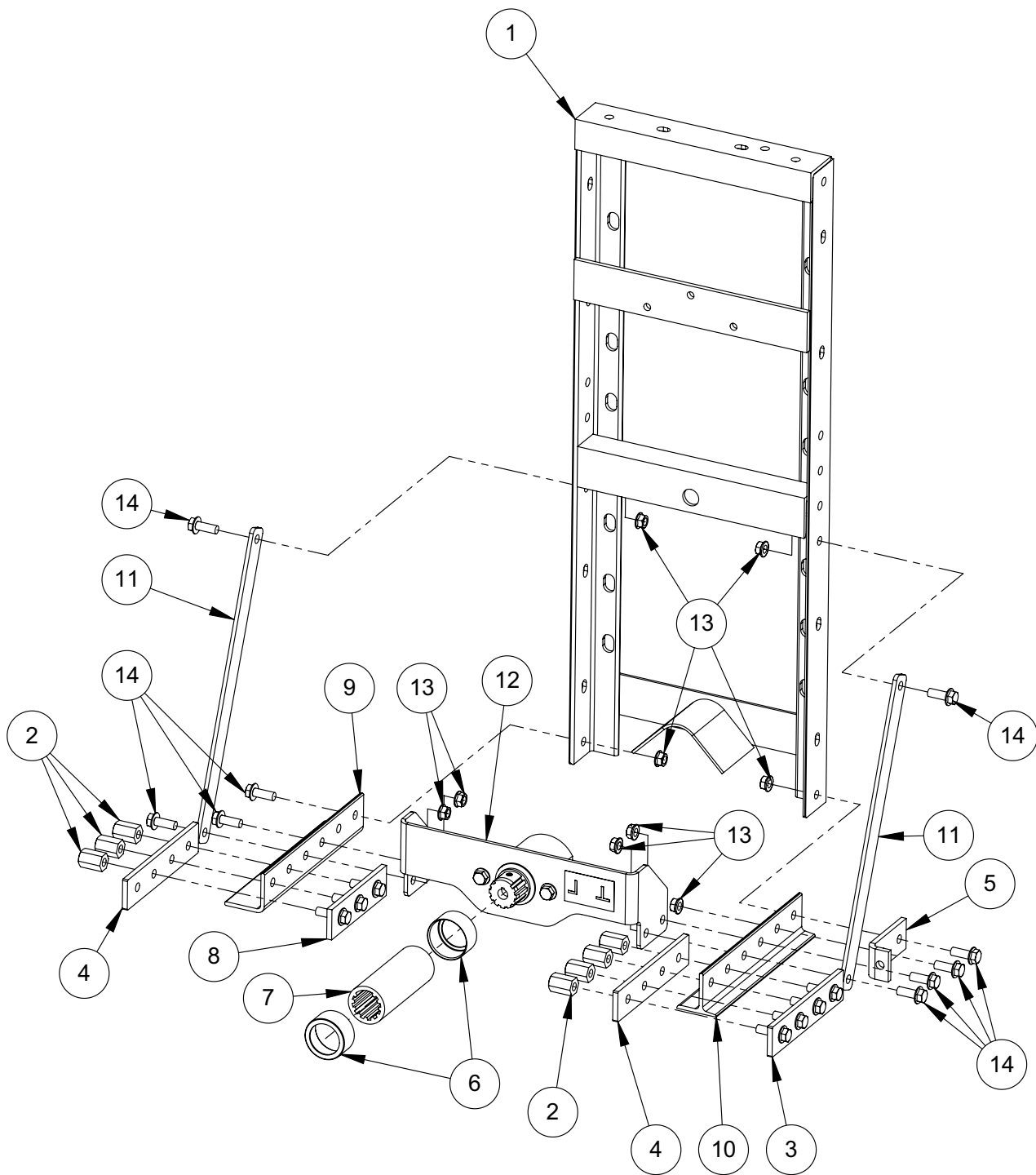


ITEM	PART NO.	DESCRIPTION	QTY
1.	08888	CABLE ASM, WINCH 60 FT & HOOK	2
2.	08891	PULLEY	3
3.	08976	BRACKET, PULLEY	2
4.	08993	LINK, PULLEY	2
5.	15336	HANDLE, WINCH	2
6.	16186	WINCH (B)	1
7.	F061608FWS	FWLS, 3/8-16 X 1 ZP	8
8.	F0616FN	FLANGE WHIZ-LOCK NUT, 3/8-16	14
9.	01428	CLAMP, TUBE	6
10.	09065	PULLEY BRACKET	1
11.	16185	WINCH (A)	1
12.	F061606FWS	FWLS, 3/8-16 X 3/4 ZP	6
13.	F061612FWS	FWLS, 3/8-16 X 1-1/2 ZP	1
14.	F0616DLN	LOCKNUT, 3/8-16 DEFORMED (DWG)	1
15.	F06SW	WASHER, 25/64 X 1 X 1/8 ZP	1
	08858	KIT, HAND WINCH BLITZSCREED (Includes 1-15)	

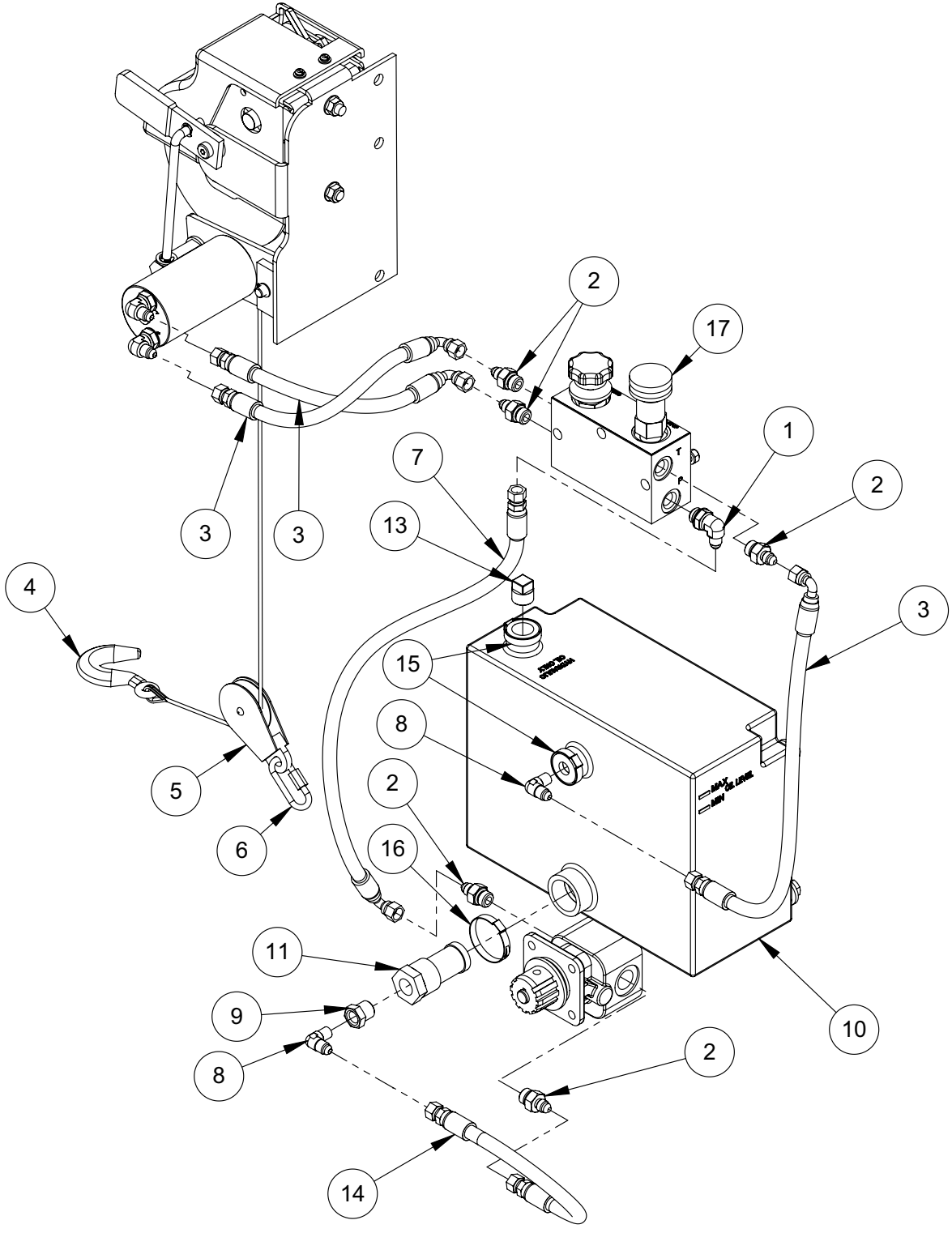
For exploded view, refer to Winch Assembly, page 36



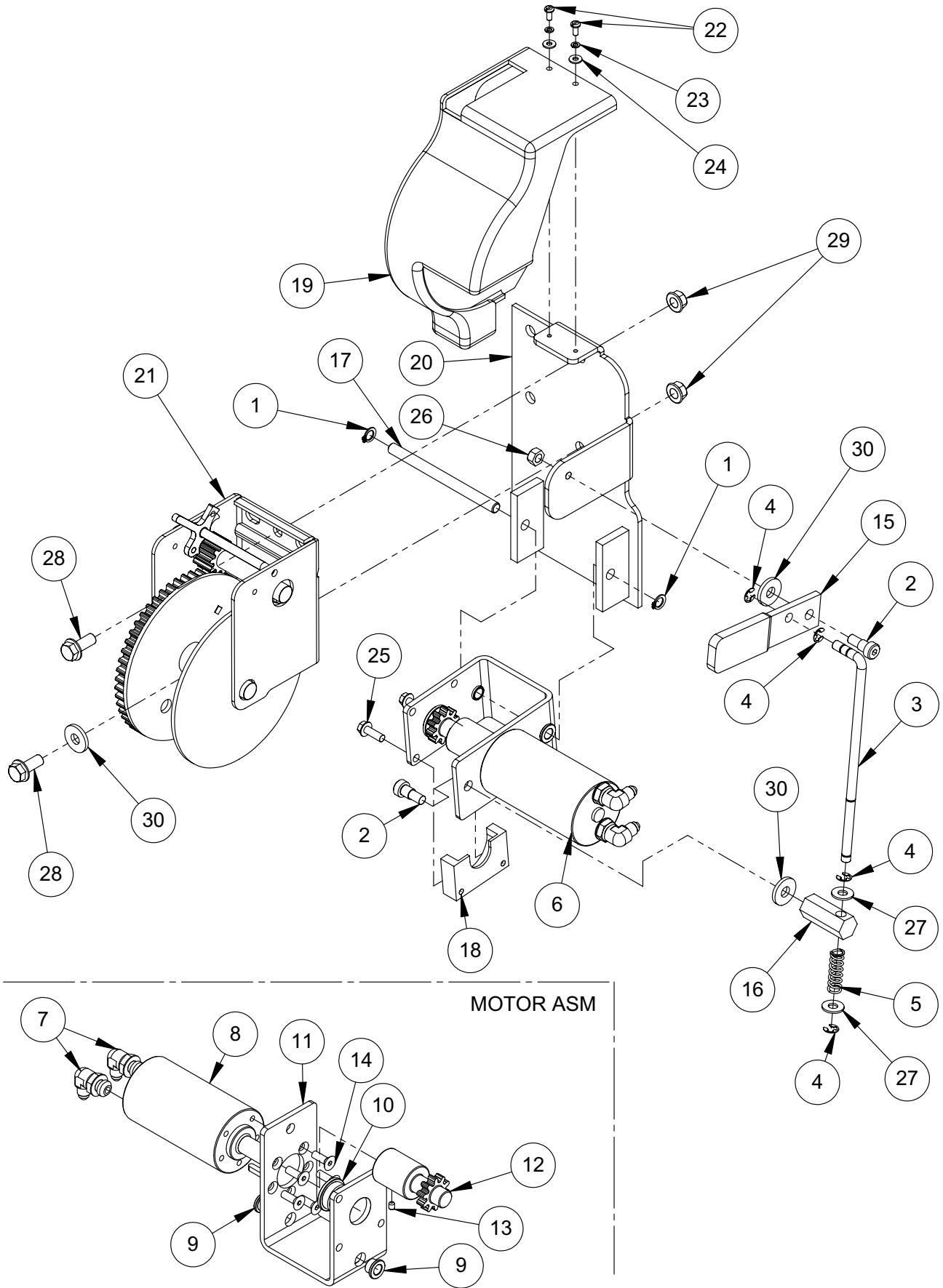
Hydraulic Winch Kit (RH Shown) - Figure 1



Hydraulic Winch Kit (RH Shown) - Figure 2



Hydraulic Winch Kit (RH Shown) - Figure 3



Winch Assembly (LH Shown)

ITEM	PART NO.	DESCRIPTION	QTY
1.	01279	RETAINING RING, EXTERNAL 5555-37	2
2.	01280	SCREW, SOCKET HEAD SHOULDER	2
3.	15333	ROD, CONNECTING	1
4.	15337	RETAINING RING, EXTERNAL	4
5.	15338	SPRING, COMPRESSION	1
6.	15347	MOTOR ASSEMBLY	1
7.	08216	FITTING, ELBOW PARKER 4-6C50X	2
8.	15302	MOTOR, HYDRAULIC	1
9.	15348	BEARING, FLANGE	2
10.	15349	BEARING, FLANGE	1
11.	15383	BRACKET, SUPPORT, MOTOR, COATED	1
12.	16119	PINION, ZINC PLATED	1
13.	F033202SSS	SSS, #10-32 X 1/4	1
14.	F042806FSS	FSS, 1/4-28 X 3/4 ZP	5
15.	15367	LEVER, COATED	1
16.	15370	PIN, PIVOT, ZINC PLATED	1
17.	15380	SHAFT, PIVOT, ZINC PLATED	1
18.	15387	COVER, DRIVEGEAR	1
19.	15388	COVER, WINCH (PLASTIC) - S/N 103000074 and above	1
	15433	COVER, WINCH (METAL) - S/N 103000073 and below	1
	15432	COVER, WINCH (METAL) - S/N 103000073 and below	
	15379	COVER, WINCH (PLASTIC) - S/N 103000074 and above	
20.	16124	BACK PLATE - S/N 103000074 and above	1
	15389	BACK PLATE - S/N 103000073 and below	1
	15382	BACK PLATE - S/N 103000073 and below	
	16126	BACK PLATE - S/N 103000074 and above	
21.	16185	WINCH, A - S/N 103000074 and above (SHOWN ABOVE)	1
	15283	WINCH - S/N 103000073 and below	1
	15358	WINCH - S/N 103000073 and below	
	16186	WINCH, B - S/N 103000074 and above (OPPOSITE SIDE)	
22.	F023203PMS	PAN HEAD MACHINE SCREW, #8-32 X 3/8	2
23.	F02LW	LOCKWASHER, #8 ZP	2
24.	F02SW	WASHER, 3/16 X 7/16 X 18GA ZP	2
25.	F042006BCS	BCS, TORX, 1/4-20 X 3/4	2
26.	F0518HN	NUT, HEX 5/16-18 ZP	1
27.	F05BFW	WASHER, 21/64 X 3/4 X 0.064 BRASS	2
28.	F061607FWS	FWLS, 3/8-16 X 7/8 ZP	2
29.	F0616FN	FLANGE WHIZ-LOCK NUT, 3/8-16	2
30.	F06SW	WASHER, 25/64 X 1 X 1/8 ZP	3