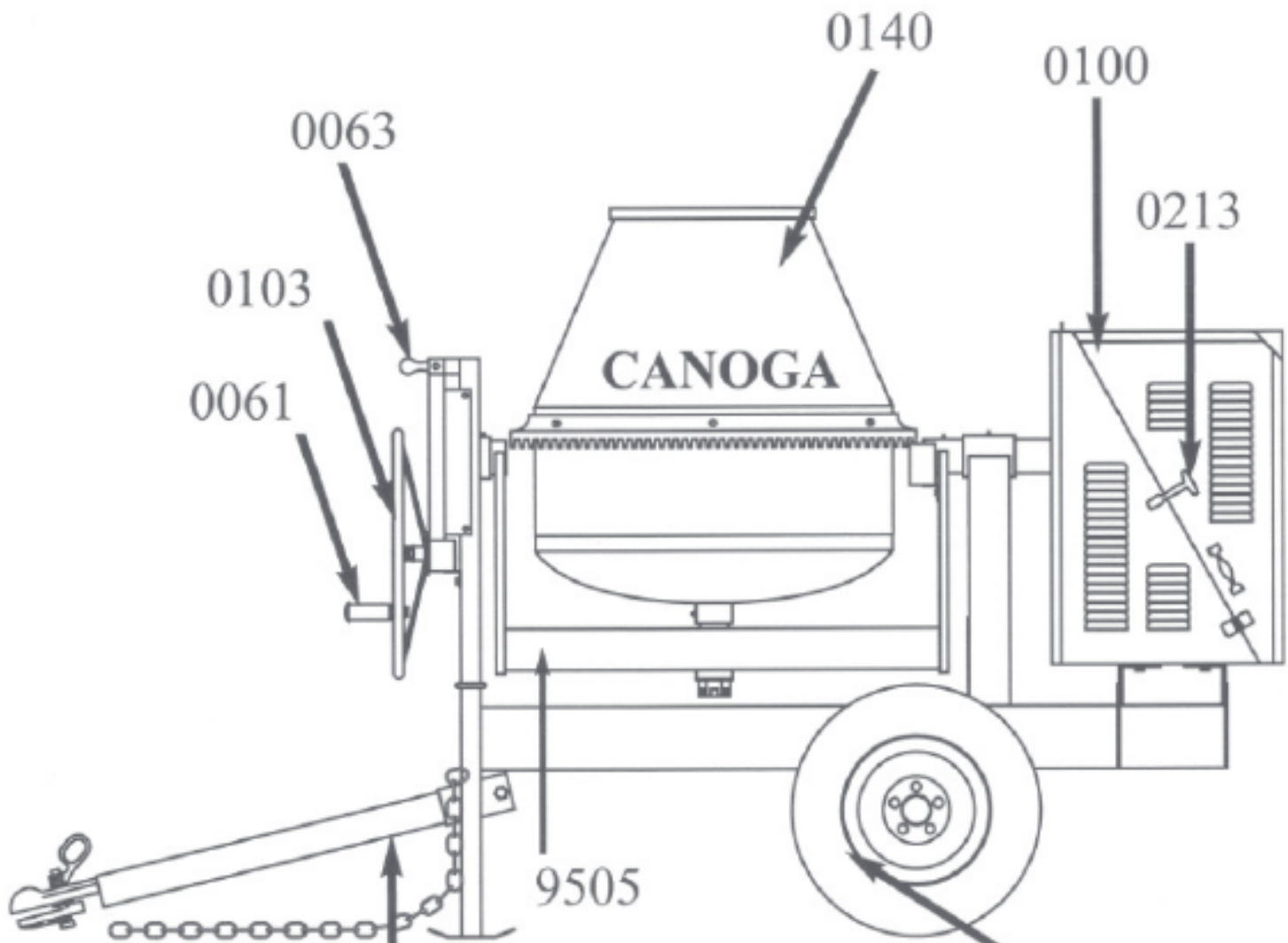


CANOGA® CONCRETE MIXER

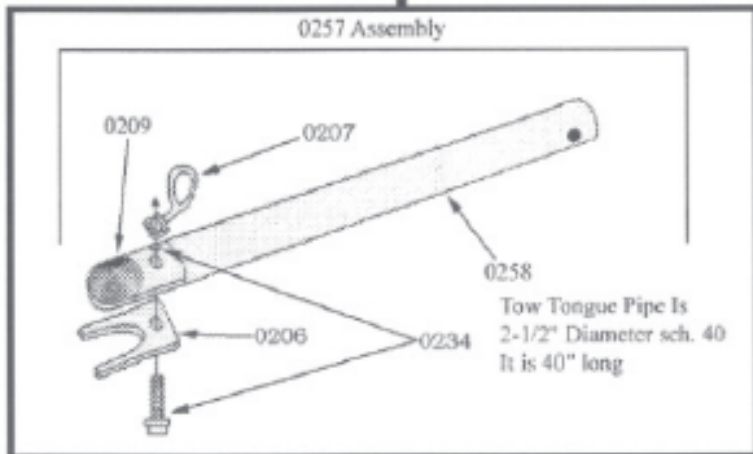
OWNERS/PARTS MANUAL 300 Series Machines



MANUFACTURED BY:
MK DIAMOND PRODUCTS, INC.



0257 Assembly

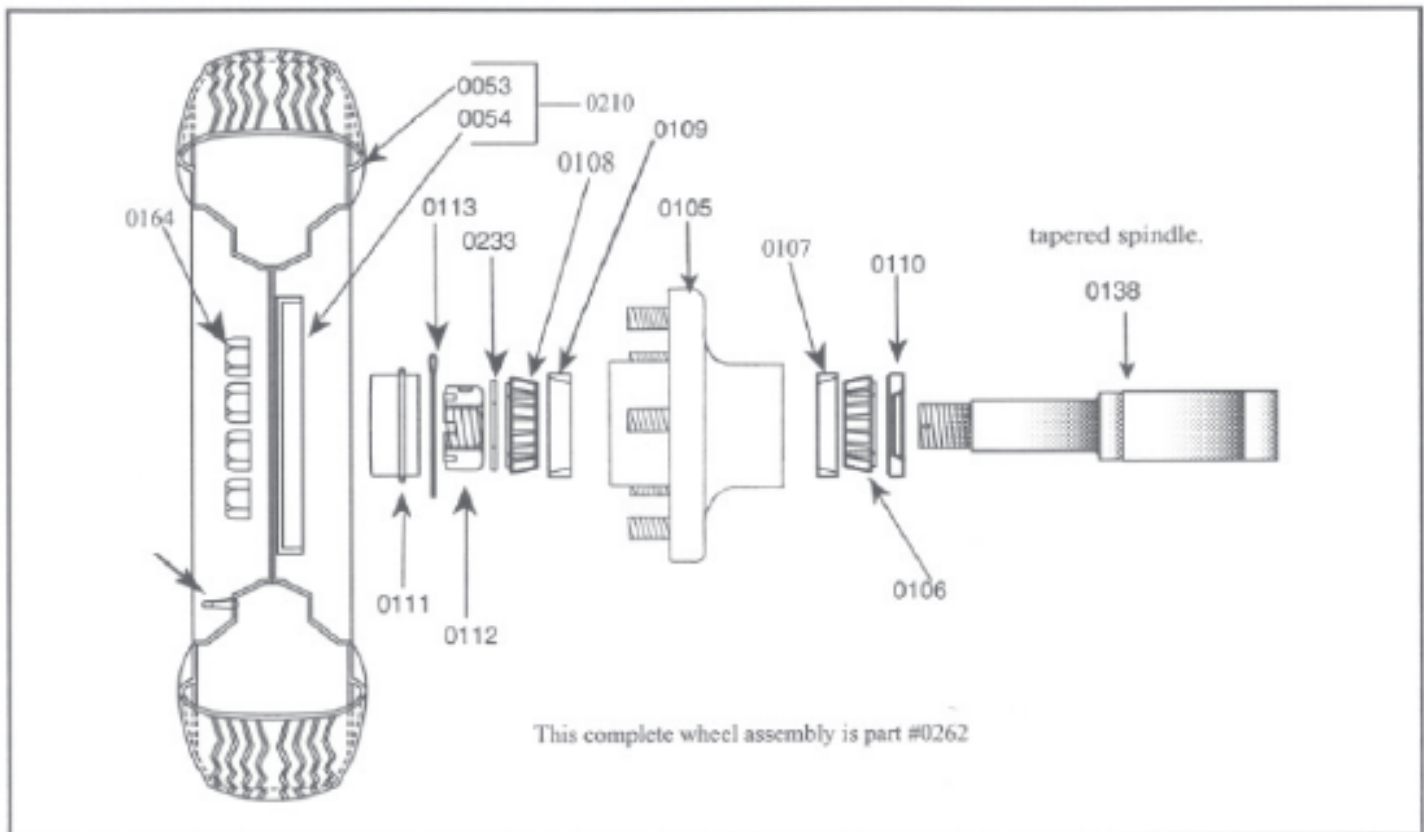
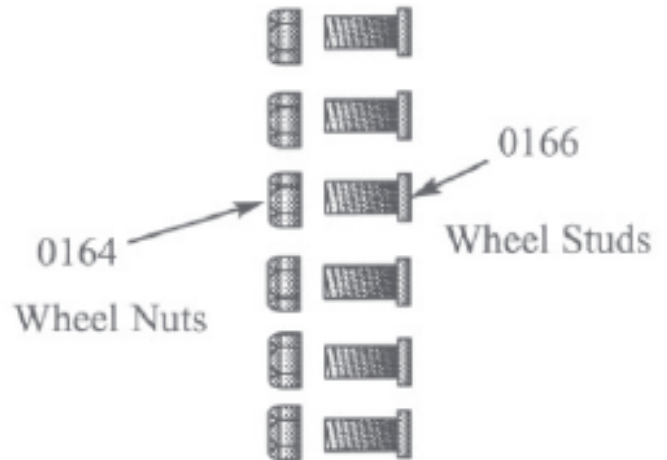


CANOGA® Equipment Model 300

WHEEL-TIRE-AXLE PARTS

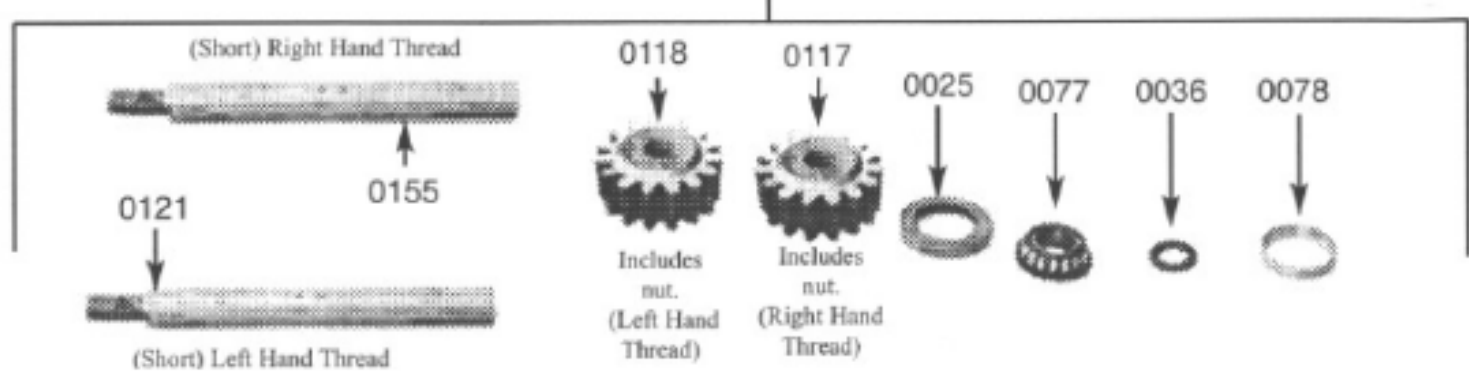
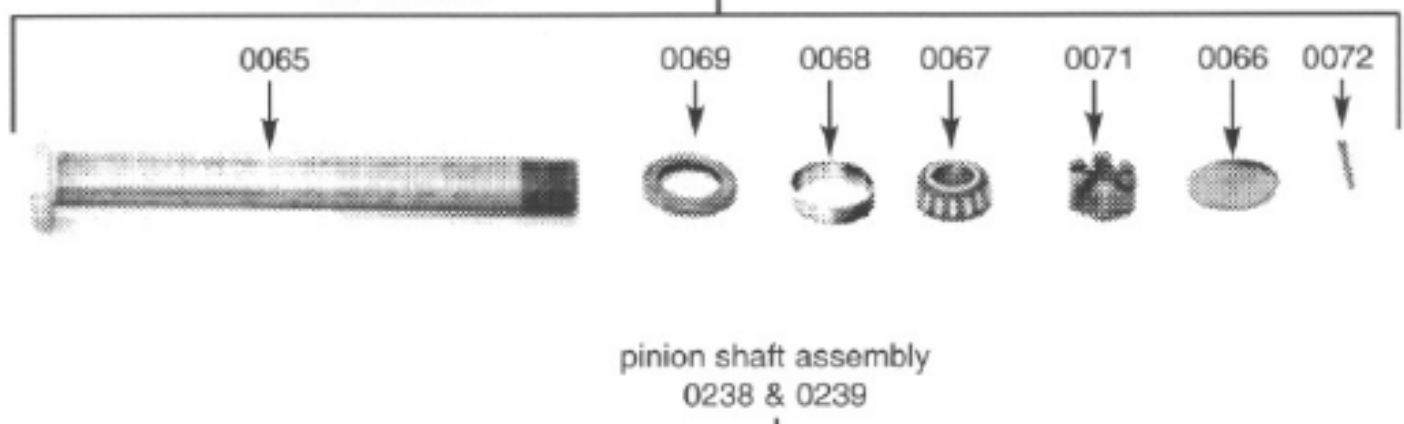
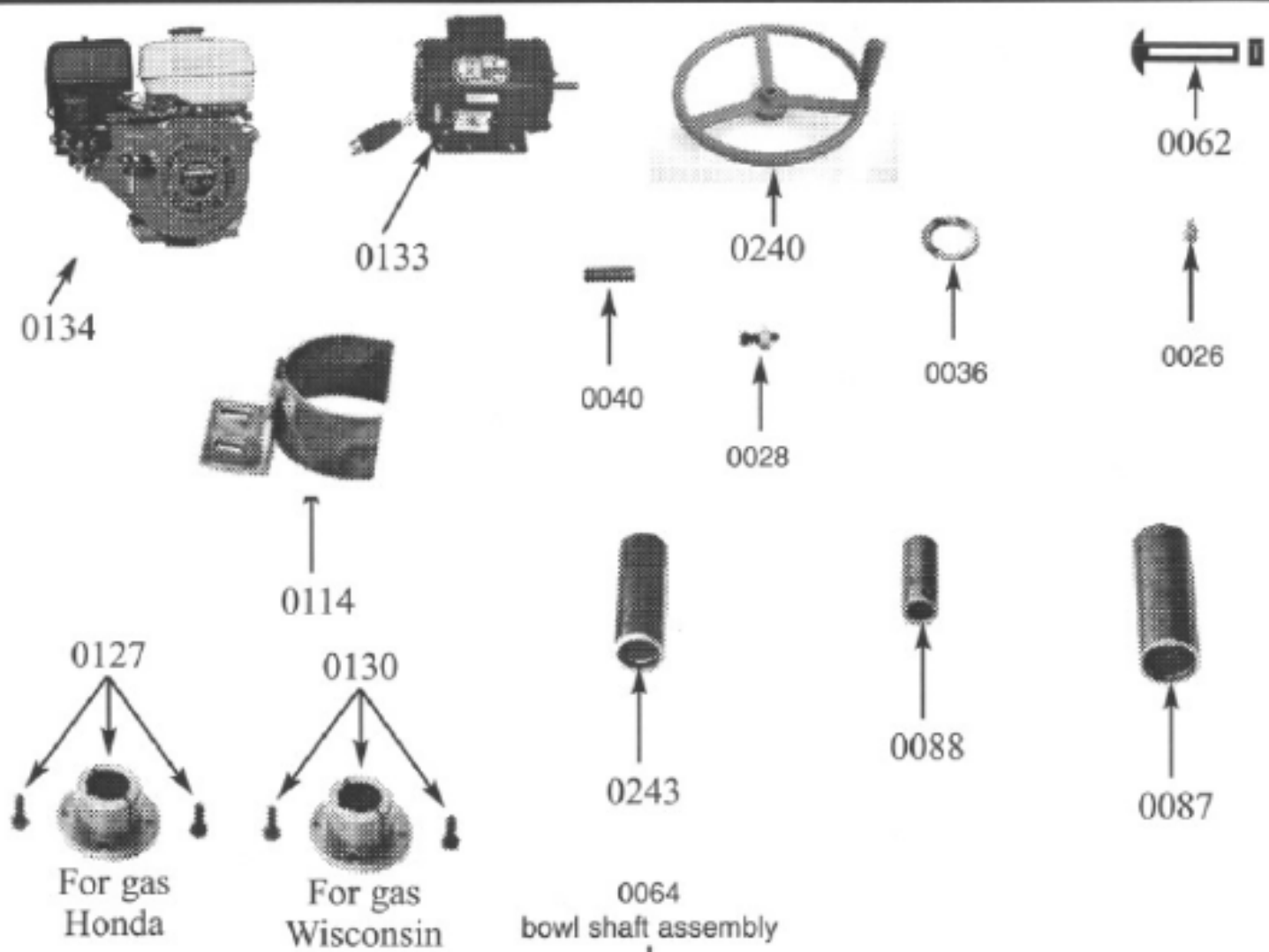


This is a 13" tire ST175/80D13-B on a 5.00 X 13" Wheel. It has 5 lug holes on a 4-1/2" center. The tire and wheel assembly part number is #0210.



This complete wheel assembly is part #0262

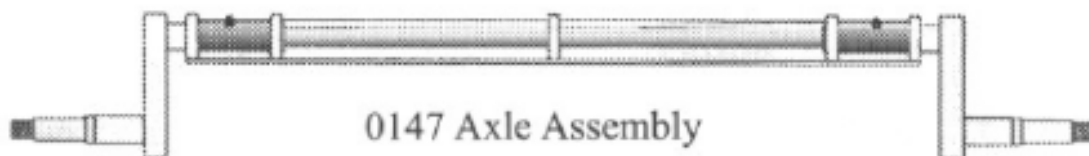
MODEL 300 PARTS



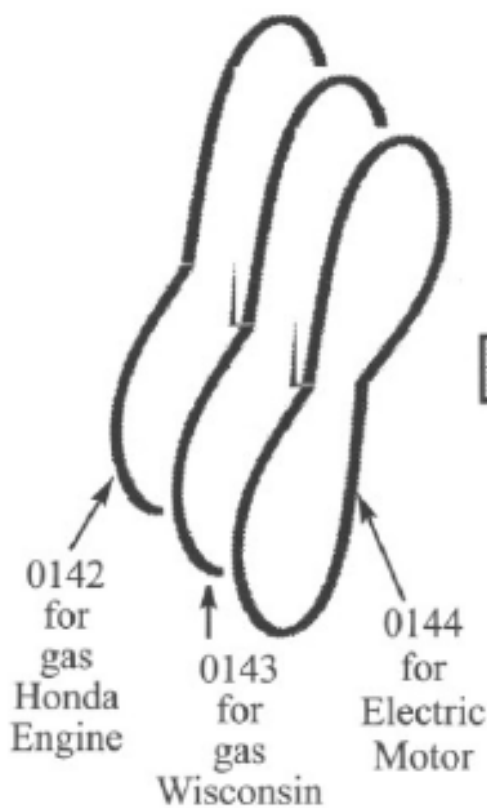
MODEL 300 PARTS

CANOGA® Equipment

“Better Because We Build Them Better!”



0147 Axle Assembly



0142
for gas
Honda
Engine

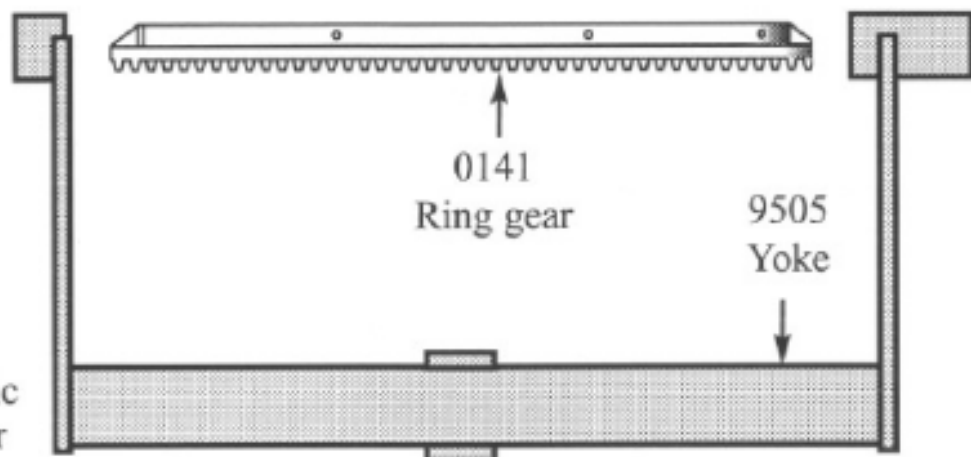
0143
for gas
Wisconsin

0144
for
Electric
Motor



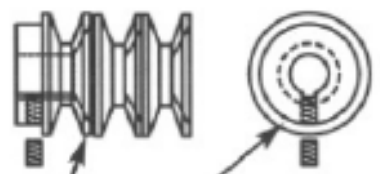
0048

0145 Right Hand if Honda engines.
0146 Left Hand if Electric Motor.

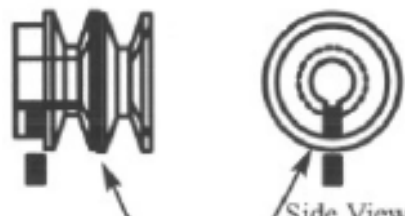


0141
Ring gear

9505
Yoke



0129
2-1/2" diameter
pulley.
3 Groove for
electric motor .

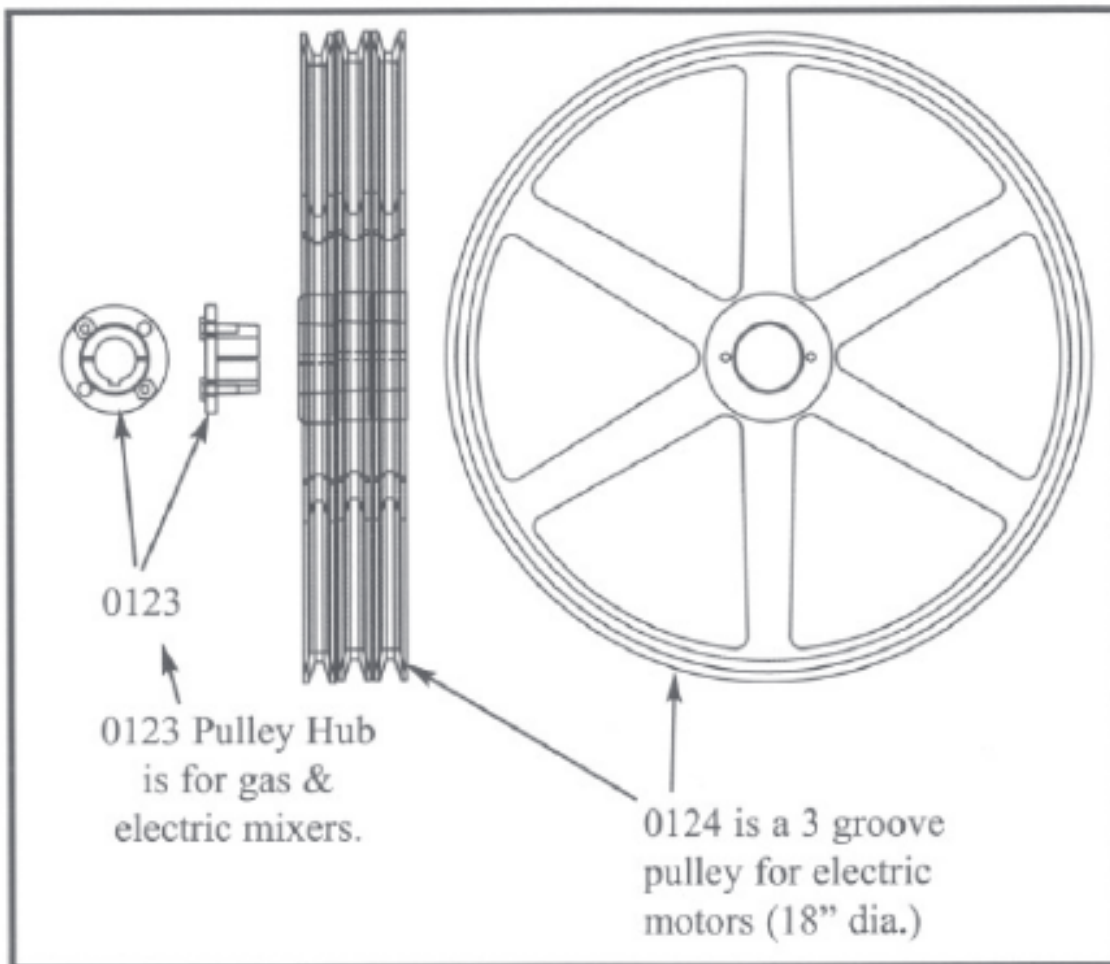


0128
3-1/2" diameter pulley.
2 Groove for gas
Wisconsin engines.



0126
6" diameter pulley.
2 Groove for gas
Honda engine.

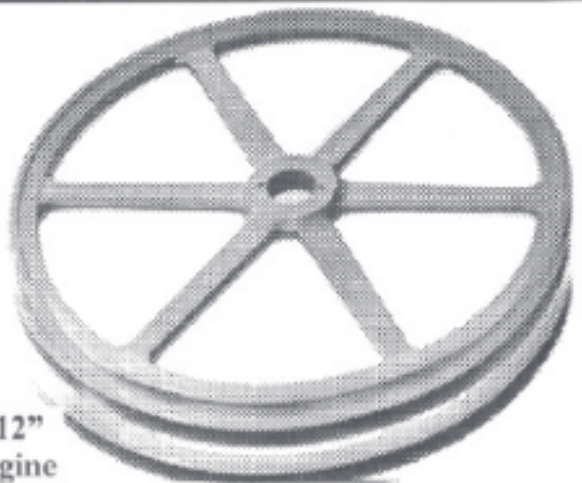
MODEL 300 PARTS



0091
SAFETY CHAIN
5/16"
54" LONG

0122

2 Groove 12"
for Gas Engine



Please specify MODEL and SERIAL NUMBER when ordering.

MODEL 300 PARTS LIST

PART NUMBER	DESCRIPTION	QUANTITY REQUIRED	PART NUMBER	DESCRIPTION	QUANTITY REQUIRED
0025	pinion shaft grease seal	2	0129	three groove 2-1/2" pulley	1
0026	1/8" N.P.T. straight grease fitting	5	0133	1-1/2 hp electric motor	1
0028	bowl shaft set screw and lock nut	1	0134	8 hp Honda	1
0036	special 1" spacing washer	1	0136	dump pinion gear	1
0040	1/4" drive key	1	0137	dump gear 58 tooth	1
0048	CANOGA name plate	1	0138	axle spindle (tapered)	2
0053	ST175/80D13B tire (only)	2	0139	chassis (model #300)	1
0054	5.00 x 13" wheel	2	0140	mixing drum	1
0061	dump hand wheel handle	1	0141	ring gear	1
0062	dump hand wheel axle bolt & nut	1	0142	V-belt for Honda engine	3
0063	drum position latch	1	0143	V-belt for Wisconsin engine	3
0064	bowl shaft assembly	1	0144	V-belt for mixer with electric motor power.	3
0065	bowl shaft	1	0145	mixing paddle for mixer with gas Honda power	3
0066	3-1/4" expansion plug	1	0146	mixing paddle for mixer with electric motor power.	3
0067	bowl shaft bearing	2	0147	axle assembly	2
0068	bowl shaft race	2	0150	Owners/Parts manual	1
0069	bowl shaft grease seal	1	0151	one gallon paint	1
0071	bowl shaft nut	1	0154	3/4" spacing washer (for axles)	2
0072	3/16" x 2-1/2" cotter pin	1	0155	pinion shaft-short (right/hand threads)	1
0077	pinion shaft bearing	2	0156	quick link	1
0078	pinion shaft race	2	0158	1" spacing washer (SAE)	4
0079	special 1-1/4" spacing washer (used with pulley)	2	0160	electric motor toggle switch - large	1
0087	bowl bearing housing	1	0164	axle lug nut - large	10
0088	yoke nipple	1	0166	axle wheel stud - long	10
0100	engine enclosure for gas or electric power	1	0167	valve stem	2
0097	pinion shaft housing	1	0169	twist-lock plug (20 amp)	1
0100	engine enclosure	1	0171	cable connector - large (for electric motor model)	1
0102	towing tongue	1	0172	power cord - 15"	1
0103	dumping hand wheel (24" diameter), assembly	1	0173	ring connector (for electric motor model)	1
0104	dumping gear guard	1	0174	spade connector - small (for electric motor model)	1
0105	wheel hub	2	0175	spade connector - large (for electric motor model)	3
0106	wheel bearing, inner	2	0176	U-drive screw - #6 x 3/8" (to attach serial number tag)	2
0107	wheel race, inner	2	0177	serial tag (NOT FOR SALE)	1
0108	wheel bearing, outer	2	0180	tank head - 34" x 1/4"	1
0109	wheel race, outer	2	0184	door hinge - bent (28" long)	1
0110	wheel grease seal	2	0185	exhaust elbow for Wisconsin or Koehler gas engine.	1
0111	wheel dust cap	2	0206	hitch fork	1
0112	axle nut	2	0207	hitch wing nut	1
0113	1/8" x 1-1/2" cotter pin	2	0209	ball hitch insert (custom torch cut to fit & weld.)	1
0114	pinion gear guard	1	0210	ST175/80D13B tire & wheel	2
0115	pinion shaft assembly R/hand for Honda engine.	1	0213	rubber latch clamp	1
0116	pinion shaft assembly	1	0214	hose nozzle ring	2
0117	pinion gear (right/hand threads)	1	0215	tow tongue (assembly)	1
0118	pinion gear (left/hand threads)	1	0220	door pull handle	1
0119	pinion shaft R/hand for Honda power.	1	0234	hitch fork bolt/washer	1
0120	pinion shaft	1	0235	metal pocket	1
0122	two groove 12" pulley	1	0247	safety chain (5/16" x 90" long)	1
0123	pulley hub	1	0251	door hinge - bent 28" long	1
0124	three groove 18" pulley	1	0255	safety chain-(two lengths) 5/16" welded to frame.	1
0126	two groove 6" pulley	1	0256	ring hitch adapter	1
0127	pulley hub	1	0262	wheel assembly	2
			0930	tow tongue bolt & lock nut (assembly)	1

*We offer parts normally welded to one or more of the parts above to qualified customers who are capable of cutting and welding them into place.

CANOGA® Equipment Model 300