



HEARTH PRODUCTS

P/N 506017-06 Rev. B 01/2013

This manual is one of a set of two supporting this product.

Refer to P/N 506015-07 for Installation Instructions.

Ce manuel est disponible en français, simplement en faire la demande. Numéro de la pièce 506223-44.

Table of Contents	2
Safety and Your Fireplace	2
FREE Safety Guard Offer (Protects Against Burns)	2
Important Safety Information	4
Attaching the Safety-in-Operation Warnings	5
[EN FRANÇAIS] L'information de sûreté importante	3-4
Apposition des mises en garde relatives à la sécurité d'utilisation	5
[EN ESPAÑOL] Información importante de seguridad	3-4
Colocación de advertencias de seguridad en operación	5

CARE AND OPERATION INSTRUCTIONS

MPD Direct-Vent Gas Fireplaces

MERIT Plus[®] SERIES

MODELS

MILLIVOLT:

MPDT33RNM	MPD35RPM
MPDT33RPM	MPD40CNM
MPDR33RNM	MPD40RNM
MPDR33RPM	MPD40RPM
MPD35CNM	MPD45RNM
MPD35RNM	MPD45RPM

ELECTRONIC:

MPDT33RNE	MPD40CNE
MPDR33RNE	MPD40RNE
MPD35CNE	MPD45RNE
MPD35RNE	



OTL Report No. 116-F-13g-5



INSTALLER: Leave this manual with the appliance.

CONSUMER: Retain this manual for future reference.

INSTALLATEUR : Laissez cette notice avec l'appareil.

CONSOMMATEUR : Conservez cette notice pour consultation ultérieure.

! WARNING / AVERTISSEMENT / AVISO

- HOT GLASS WILL CAUSE BURNS.
- DO NOT TOUCH GLASS UNTIL COOLED.
- NEVER ALLOW CHILDREN TO TOUCH GLASS.



- UNE SURFACE VITRÉE CHAUDE PEUT CAUSER DES BRÛLURES.
- LAISSER REFROIDIR LA SURFACE VITRÉE AVANT D'Y TOUCHER.
- NE PERMETTEZ JAMAIS À UN ENFANT DE TOUCHER LA SURFACE VITRÉE.

- EL VIDRIO CALIENTE CAUSARÁ QUEMADURAS.
- USTED DEBE NUNCA TOCAR EL VIDRIO CALIENTE.
- LOS NIÑOS DEBEN NUNCA TOCAR EL VIDRIO.

WARNING: If the information in these instructions is not followed exactly, a fire or explosion may result, causing property damage, personal injury, or death.

- Do not store or use gasoline or other flammable vapors and liquids in the vicinity of this or any other appliance.
- **WHAT TO DO IF YOU SMELL GAS:**
 - Do not try to light any appliance.
 - Do not touch any electrical switch; do not use any phone in your building.
 - Immediately call your gas supplier from a neighbor's phone. Follow the gas supplier's instructions.
 - If you cannot reach your gas supplier, call the fire department.
- Installation and service must be performed by a qualified installer, service agency or the gas supplier.

AVERTISSEMENT : Assurez-vous de bien suivre les instructions données dans cette notice pour réduire au minimum le risque d'incendie ou d'explosion ou pour éviter tout dommage matériel, toute blessure ou la mort.

- Ne pas entreposer ni utiliser d'essence ni d'autres vapeurs ou liquides inflammables dans le voisinage de cet appareil ou de tout autre appareil.
- **QUE FAIRE SI VOUS SENTEZ UNE ODEUR DE GAZ :**
 - Ne pas tenter d'allumer d'appareil.
 - Ne touchez à aucun interrupteur. Ne pas vous servir des téléphones se trouvant dans le bâtiment où vous trouvez.
 - Appelez immédiatement votre fournisseur de gaz depuis un voisin. Suivez les instructions du fournisseur.
 - Si vous ne pouvez rejoindre le fournisseur de gaz, appelez le service des incendies.
- L'installation et l'entretien doivent être assurés par un installateur ou un service d'entretien qualifié ou par le fournisseur de gaz.

ACCESSORY COMPONENTS



Economy G-Fire Remote Control System

Simple operation switches your fireplace on and off. The remote receiver may be wall-mounted (recommended for longer battery life) or placed in the control compartment.

G-Fire Remote Control System H8840



Digital Wall Thermostat

The wall thermostat kit provides temperature control for optimum comfort.

Wall Thermostat Kit, White H4635 DWTK



Touch-Up Paint Kit

Repair of minor scratches and discoloration of the appliance painted surfaces may be accomplished with the touch-up paint kit.

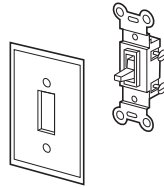
Touch-Up Paint (Black) Kit 90L73 TPK-B



Standard Remote Control System

The Model RCL (Standard) Remote Control System features a simple ON/OFF control function for the fireplace. Includes a hand-held transmitter, a remote receiver with wall-mount coverplate, and all required hardware to install the unit. The remote receiver can be wall- or hearth-mounted.

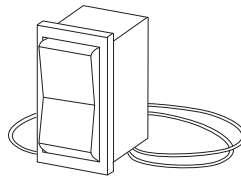
Remote Control System (Standard) H0249 RCL



ON/OFF Wall Switch Kit

The ON/OFF wall switch may be used to control the operation of the fireplace burner as an alternative to the optional unit-mountable ON/OFF rocker switch. Install the wall switch in a convenient location near the fireplace.

ON/OFF Wall Switch Kit 85L87 FWSK



Unit-Mountable ON/OFF Rocker Switch Kit (Millivolt systems only)

The rocker switch may be used to provide ON/OFF operation as an alternative to the optional wall switch. The rocker switch installs directly in the gas valve mounting bracket (millivolt gas valve-equipped fireplaces only).

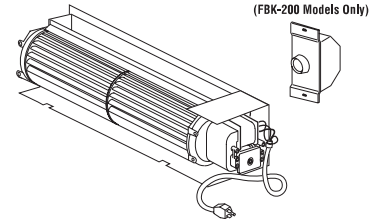
Rocker Switch Kit 80L41 FRS



Deluxe Remote Control System

The Model RCL-T (Deluxe) Remote Control System has all of the features of the standard system along with an added easy-to-read LCD screen that provides access to many enhancements, including battery power level indicator, timer, mode of operation, thermostatic display with room temperature in either F° or C°, flame indicator, and clock. Fully programmable, the Model RCL-T allows for command over nearly all operational and temperature variables using the hand-held remote control transmitter.

Remote Control System (Deluxe) H0251 RCL-STAT



Forced Air Blower Kit

The FBK-100 blower assembly provides constant-velocity forced-air circulation.

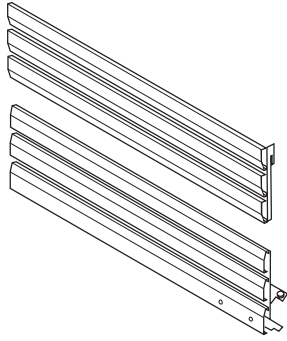
The FBK-200 blower assembly provides variable-speed forced-air circulation and includes a wall-mountable variable-speed switch.

The FBK-250 blower assembly provides variable-speed forced-air circulation and includes a unit-mountable variable-speed switch.

Forced Air Blower Kits:

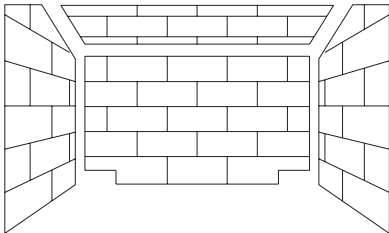
Single Speed	80L84	FBK-100
Variable Speed with wall-mountable switch	80L85	FBK-200
Variable Speed with unit-mountable switch	80L86	FBK-250

ACCESSORY COMPONENTS (continued)



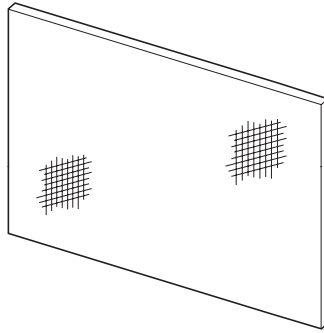
Assembled Louver Kits	
Model No.	Catalog No. Model No.
	Black Louvers
MPD33	24M45 LVR33C-2
MPD35	88L24 LVR35C-2
MPD40	88L25 LVR40C-2
MPD45	88L26 LVR45C-2

These louvers are designed to replace the standard radiant panels that are provided with the appliance.



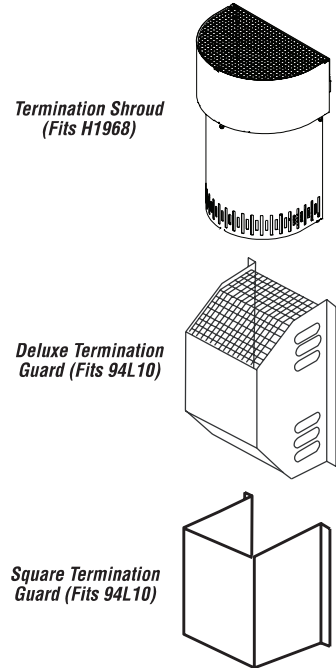
Firebox Liner Kits		
Models	Catalog No.	Model No.
MPDT33	H0912	MBLK33T
MPDR33	H8614	BLKC-MP33R
MPD35	H8595	BLKC-MP35
MPD40	H8596	BLKC-MP40
MPD45	H0915	MBLK45

The firebox liner kits include ceramic panels of the side walls, the rear and the baffle of the firebox. The panels have brick-like features in relief.



Screen Panel Kits	
Model No.	Catalog No. Model No.
MPD33	98L04 HG33
MPD35	26M48 HG35M
MPD40	26M49 HG40M
MPD45	26M50 HG45M

These screen panels can be installed on the glass enclosure panel to provide protection from the hot glass surface. The screen panel kits cannot be used in conjunction with either of the arch door kits or door frame kits.



Termination Guard Kits

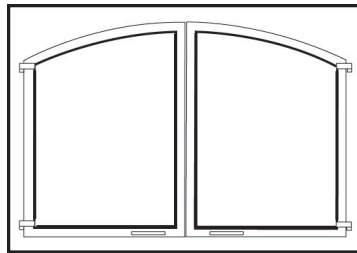
The vent termination guards may be used to cover the vent termination on the exterior of the home to minimize exposure to the hot surface of the termination.

Termination Guard Kits (all models)		
Cat. No.	Model No.	Description
H5820	4.5HTSK	Termination Shroud
87L02	SV4.5HGS	Termination Guard, Deluxe
17M52	SV4.5HGS-1	Termination Guard, Square

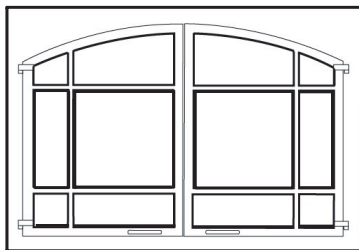
ACCESSORY COMPONENTS (continued)

Style View Doors

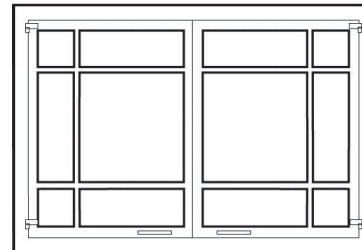
Style View doors come in three styles. They are easy to install onto the standard glass door frame. Includes heavy-duty magnetic door latches and functional twin-pane doors.



Arch Design



Arch Pane Design



Square Pane Design

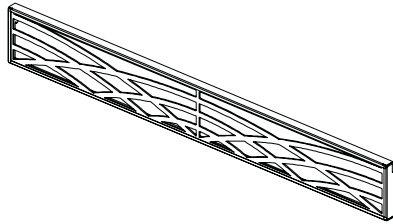
ARCH DESIGN KITS			
Cat. No.	Model	Description	Model Series
H8769	AD35B-2	35 in. Arch Doors, Black	MPD35
H8770	AD35SP-2	35 in. Arch Doors, Satin Pewter	
H8771	AD40B-2	40 in. Arch Doors, Black	MPD40
H8772	AD40SP-2	40 in. Arch Doors, Satin Pewter	
H8773	AD45B-2	45 in. Arch Doors, Black	MPD45
H8774	AD45SP-2	45 in. Arch Doors, Satin Pewter	
ARCH PANE DESIGN KITS			
H8775	APD35B-2	35 in. Arch Pane Doors, Black	MPD35
H8776	APD35SP-2	35 in. Arch Pane Doors, Satin Pewter	
H8777	APD40B-2	40 in. Arch Pane Doors, Black	MPD40
H8778	APD40SP-2	40 in. Arch Pane Doors, Satin Pewter	
H8779	APD45B-2	45 in. Arch Pane Doors, Black	MPD45
H8780	APD45SP-2	45 in. Arch Pane Doors, Satin Pewter	

SQUARE PANE DESIGN KITS			
Model	Series	Description	Model Series
H8781	SPB35B-2	35 in. Sq. Pane Doors, Black	MPD35
H8782	SPB35SP-2	35 in. Sq. Pane Doors, Satin Pewter	
H8783	SPB40B-2	40 in. Sq. Pane Doors, Black	MPD40
H8784	SPB40SP-2	40 in. Sq. Pane Doors, Satin Pewter	
H8785	SPB45B-2	45 in. Sq. Pane Doors, Black	MPD45
H8786	SPB45SP-2	45 in. Sq. Pane Doors, Satin Pewter	

ACCESSORY COMPONENTS (continued)

Grille Kits

The distinctive sunrise design grille is available in black or satin pewter finish. This grille may be used to replace the standard radiant panels or optional louvered panels. Upper and lower grilles are sold separately.



“Sunrise” Grille Kits			
Cat. No.	Model	Description	Model Series
H3565	SUGK35C	35 in. Sunrise Upper Grille Kit, Black	MPD35
H3567	SUGK35SP	35 in. Sunrise Upper Grille Kit, Satin Pewter	
H3569	SLGK35C	35 in. Sunrise Lower Grille Kit, Black	
H3571	SLGK35SP	35 in. Sunrise Lower Grille Kit, Satin Pewter	
H3573	SUGK40C	40 in. Sunrise Upper Grille Kit, Charcoal	MPD40
H3575	SUGK40SP	40 in. Sunrise Upper Grille Kit, Satin Pewter	
H3577	SLGK40C	40 in. Sunrise Lower Grille Kit, Black	
H3579	SLGK40SP	40 in. Sunrise Lower Grille Kit, Satin Pewter	
H3581	SUGK45C	45 in. Sunrise Upper Grille Kit, Black	MPD45
H3583	SUGK45SP	45 in. Sunrise Upper Grille Kit, Satin Pewter	
H3585	SLGK45C	45 in. Sunrise Lower Grille Kit, Black	
H3587	SLGK45SP	45 in. Sunrise Lower Grille Kit, Satin Pewter	

REPLACEMENT PARTS LIST

Item No.	Description	MPD33		MPD35		MPD40		MPD45	
		Part No.	Qty.	Part No.	Qty.	Part No.	Qty.	Part No.	Qty.
1	Hood	H4574	1	97K51	1	97K52	1	97K53	1
2	Radiant Panel Assembly, Upper	H8660	1	H8661	1	H8662	1	H8663	1
2a	Louvered Panel Assembly, Upper	H4577	1	H6337	1	H2727	1	H3146	1
3	Radiant Panel Assembly, Lower	H8664*	1	H8665*	1	H8666*	1	H8667*	1
3a	Louvered Panel Assembly, Lower	H4578*	1	H6344*	1	H6345*	1	H6346*	1
4	Enclosure, Glass Front (Complete)	H8142	1	H6554	1	H8122	1	H6225	1
5	Nameplate (Brand)	12L15	1	12L15	1	12L15	1	12L15	1
6	Door Latch Spring	H1264	2	H1264	2	H1264	2	H1264	2
7	Catch, Door, Magnetic	69L31	2	69L31	2	69L31	2	69L31	2
8	Log Set (Complete)	24M15	1	H6197	1	24M25	1	24M25	1
9	Burner Assembly	H8585	1	H8585	1	H8587	1	H8587	1
10	Grate Assembly	H6526	1	H6526	1	H6314	1	H6314	1
11	Orifice, Main Burner—Natural Gas	99K74	1	60J80	1	99K76	1	24M10	1
11	Orifice, Main Burner—LP Gas	99K78	1	19L52	1	21L01	1	37G00	1
12	Bag Of Embers (Rockwool)	88L53	1	88L53	1	88L53	1	88L53	1
13	Bag Of Decorative Volcanic Stone	80L42	1	80L42	1	80L42	1	80L42	1
14	Gas Line Flexible Connector	93L32	1	93L32	1	93L32	1	93L32	1

Gas Controls—SIT Millivolt					
Item No.	Description	Natural Gas		Propane Gas	
		Part No.	Qty.	Part No.	Qty.
15	Gas Valve, SIT	H1657	1	88J53	1
16	Piezo Igniter	10K86	1	10K86	1
17	Pilot Assembly	69L17	1	69L18	1
18	Pilot Generator	60J79	1	60J79	1
19	Thermocouple	74L57	1	74L57	1
20	Pilot Tube	74L56	1	74L56	1
21	Electrode And Cable	H6212	1	H6212	1
22	Pilot Shield	H6347	1	H6347	1

Gas Controls—SIT Electronic					
Item No.	Description	Natural Gas		Propane Gas	
		Part No.	Qty.	Part No.	Qty.
23	Gas Valve, SIT	H8562	1	H8594	1
24	Pilot Assembly	H7268	1	H7269	1
25	Transformer	H8006	1	H8006	1
26	Pilot Shield	H3737	1	H3737	1
27	Digital Flame Control Module	H7272	1	H7272	1
28	Battery Holder	H8803	1	H8803	1
29	DFC Wiring Harness	H8601	1	H8601	1
30	CPI On/Off Switch	27K30	1	27K30	1

* Lennox Nameplate Logo, 12L15, is not included.

Contact a Lennox Hearth Products dealer to obtain any of these parts. Never use substitute materials. Use of non-approved parts can result in poor performance and safety hazards.

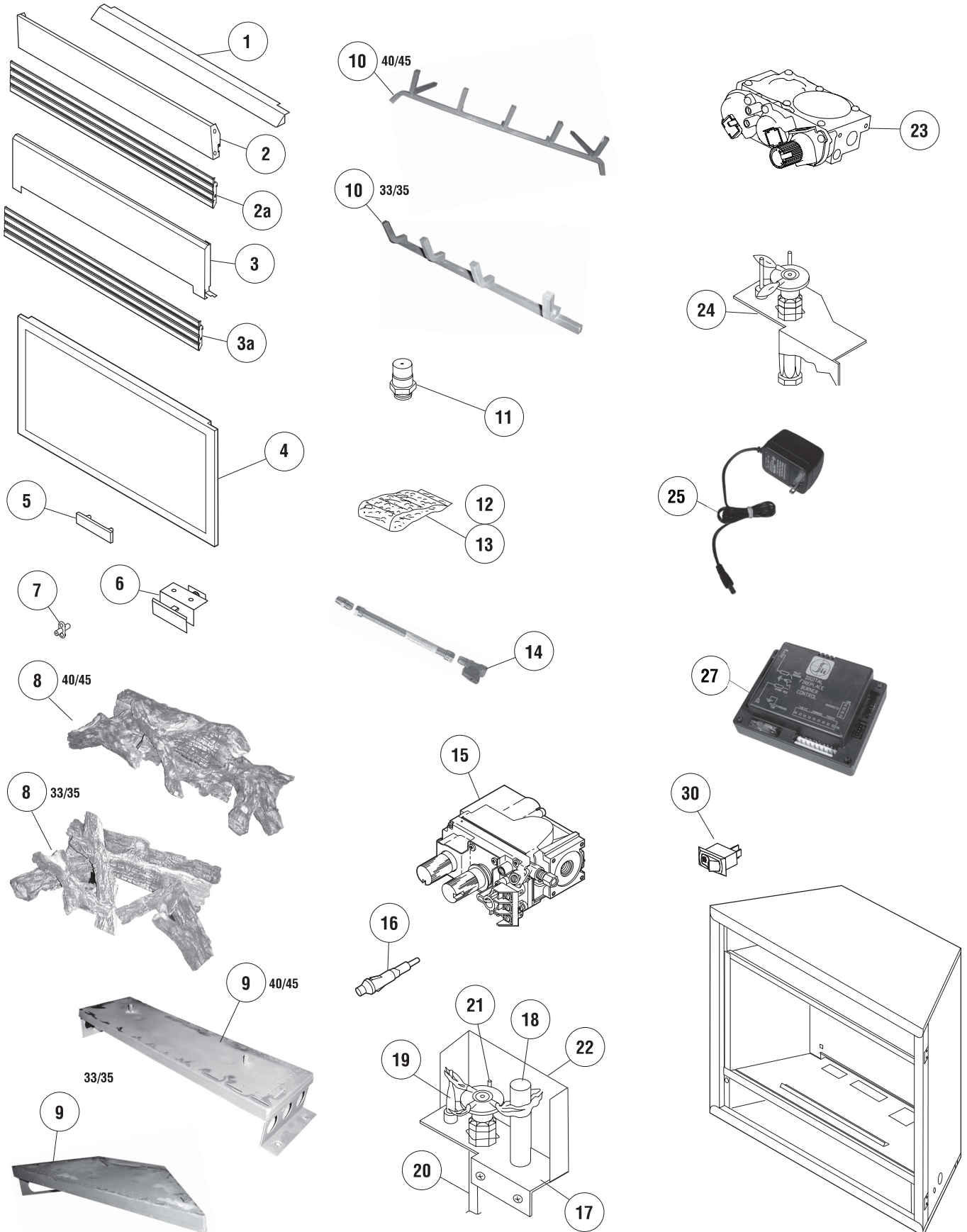
⚠ WARNING

Failure to position the parts in accordance with these diagrams or failure to use only parts specifically approved with this appliance may result in property damage or personal injury.

⚠ AVERTISSEMENT

Risque de dommages ou de blessures si les pièces ne sont pas installées conformément à ces schémas et ou si des pièces autres que celles spécifiquement approuvées avec cet appareil sont utilisées.

REPLACEMENT PARTS



NOTE: DIAGRAMS & ILLUSTRATIONS ARE NOT TO SCALE.