



CONCRETE SAW PARTS LIST

**MODEL
CC6566**

June 2015

Part #1801986

CC6566 RPM CHART

BLADE SIZE	BLADE RPM	BLADESHAFT SHEAVE	ENGINE SHEAVE	ENGINE RPM	BELT SIZE	FLANGE SIZE	MAX CUT DEPTH
14"	2,900	4"	4"	2,900	3VX570	4-1/2"	4-1/2"
20"	2,500	4.5"	4"	2,800	3VX580	4-1/2"	7-1/2"
26"	2,100	4.5"	4"	2,350	3VX580	4-1/2"	10-1/2"
30"	1,800	6"	4"	2,700	3VX600	6"	11-3/4"
36"	1,500	6"	4"	2,250	3VX600	6"	14-3/4"
42"	1,300	6"	4"	1,950	3VX600	6"	17-3/4"

**WARNING! NEVER EXCEED THE MAXIMUM RPM STAMPED ON BLADE!
EXCESSIVE SPEED CAN CAUSE BLADE BREAKAGE RESULTING IN SERIOUS PERSONAL INJURY OR DEATH.**

WARNING

- Always check the bladeshaft RPM before mounting blade.
- Only use blades with a rated speed higher than the bladeshaft speed.
- Never exceed the maximum RPM stamped on blade. Overspeeding the blade can cause blade breakage and serious personal injury.
- When changing blade size, always adjust bladeshaft RPM according to the speed chart to match recommended blade RPM.
- Do not use a blade flange size smaller than indicated for each blade.
- Never operate saw without the blade guard in place or allow rotating blade exposure to exceed 180 degrees.
- Never stand in line with the blade path when starting or operating saw.
- Never use damaged blades or equipment.
- Refer to operator's manual for additional information about safety, operation and maintenance.

ADVERTENCIA

- Asegúrese de verificar la velocidad en RPM del eje de la hoja de sierra antes de montar la hoja.
- Use solamente hojas de sierras cuyas velocidades de operación fueron establecidas para velocidades superiores a las velocidades del eje de la hoja.
- Nunca exceda la velocidad de operación máxima en RPM estampada en la hoja de sierra. Operar la hoja a una velocidad superior a la establecida puede causar la rotura de la hoja y serias lesiones corporales.
- Cuando cambie el tamaño de la hoja de sierra, asegúrese de ajustar la velocidad en RPM del eje de la hoja de acuerdo con la velocidad mencionada en la tabla para que concuerde con la velocidad en RPM establecida para la hoja de sierra.
- No utilice un tamaño más pequeño de pestillos de hoja de sierra que el indicado en cada hoja de sierra.
- Nunca opere la sierra sin haber colocado los protectores en sus lugares correspondientes ni permita que la parte expuesta de la hoja de sierra en rotación exceda los 180 grados.
- No se coloque en la misma dirección que va la hoja de la sierra al arrancar la sierra o cuando esté operando la sierra.
- Nunca use equipos ni hojas de sierras que están dañados.
- Para obtener más información sobre la seguridad de operación, funcionamiento y mantenimiento del equipo, lea el manual del operador.

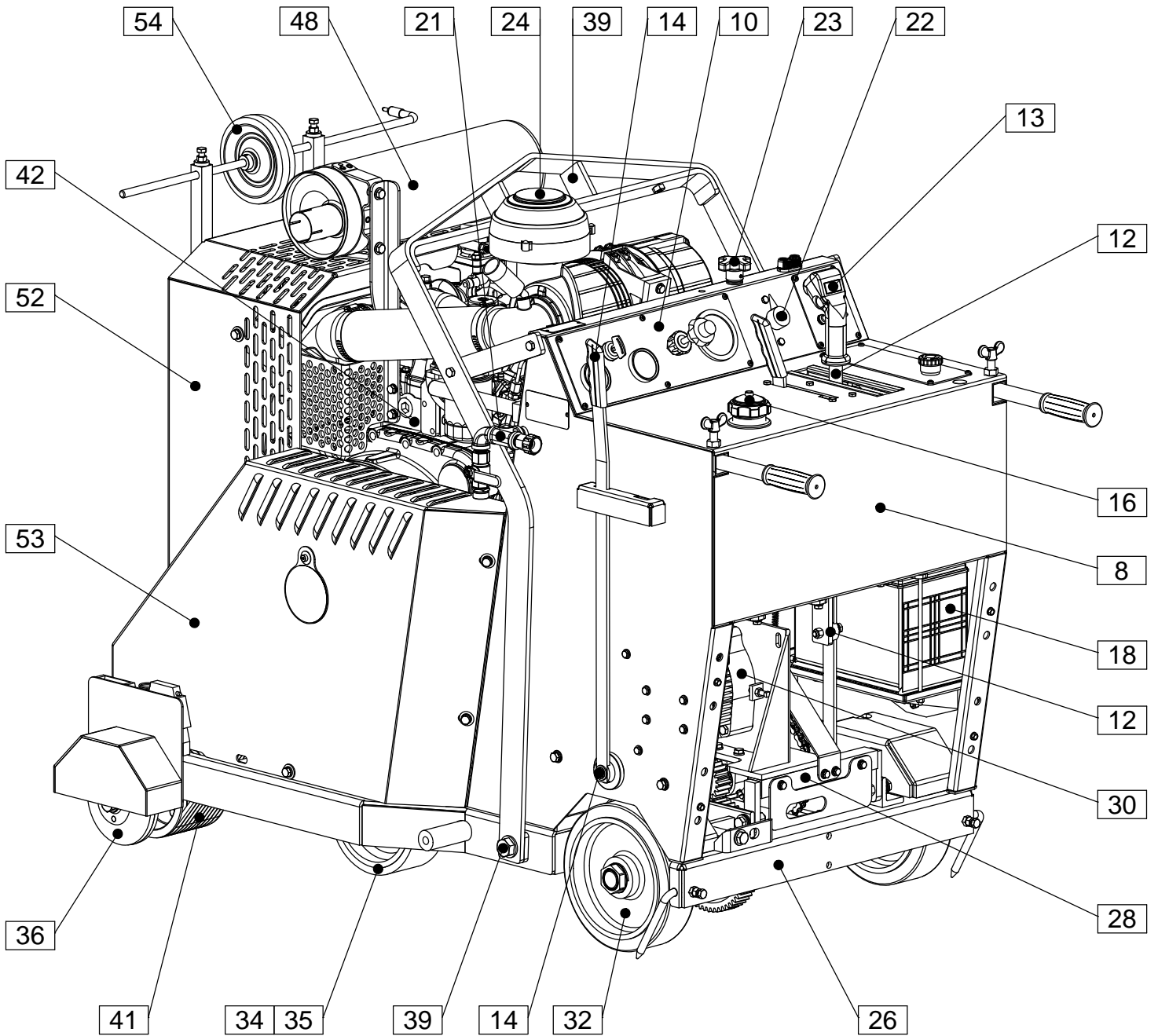
WARNING

The engine exhaust from this product contains chemicals known to the State of California to cause cancer, birth defects or other reproductive harm.

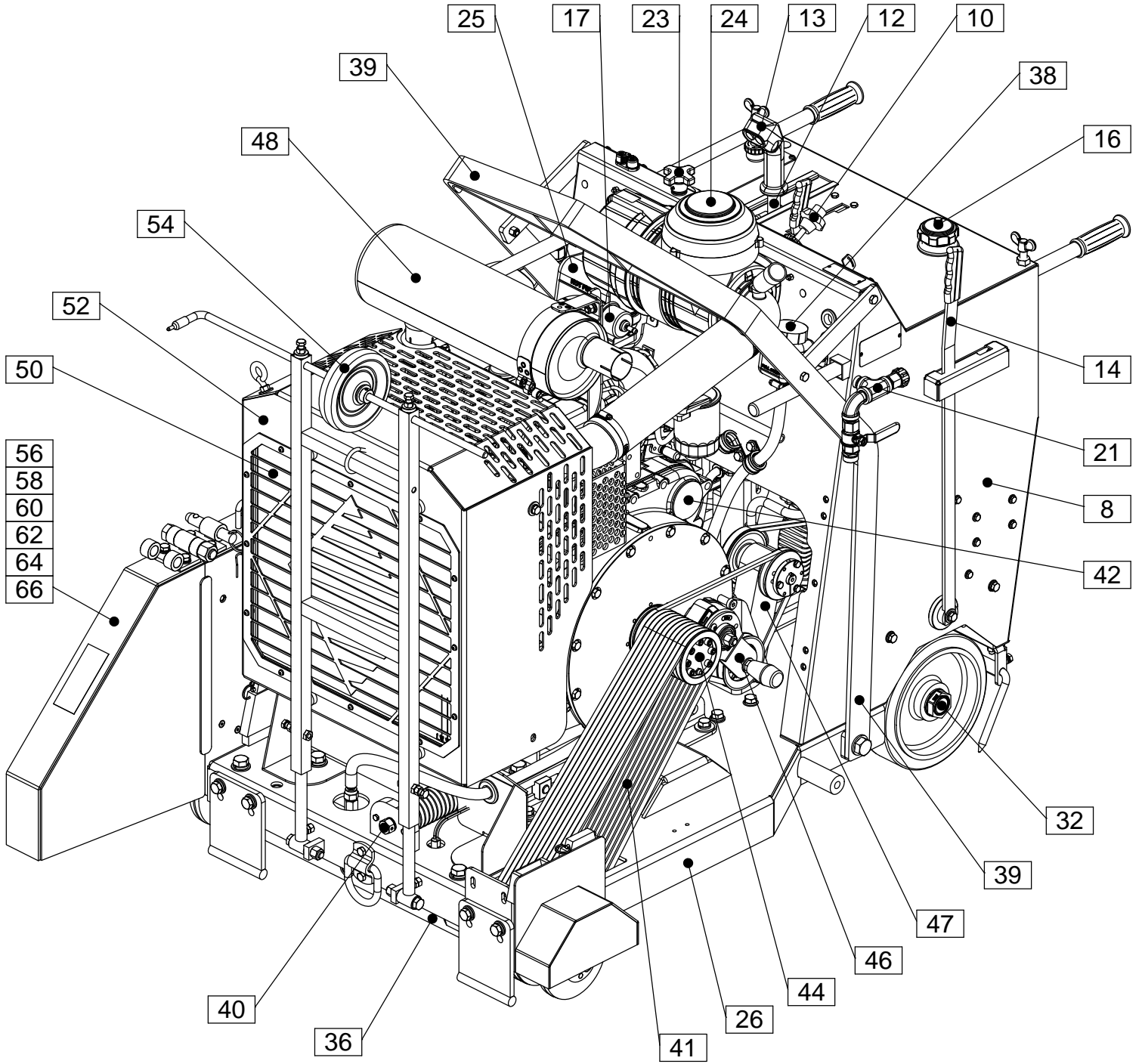
Table of Contents

Pictorial Index.....	4,5	Engine Assembly.....	42,43
Controls Legend.....	6	PTO Assembly.....	44,45
Quick Reference Service Filters / Belts.....	7	Rotary Tensioner Assembly.....	46
Frame Upright Assembly.....	8,9	Transmission Jackshaft Assembly.....	47
Instrument Panel Assembly.....	10,11	Muffler Assembly.....	48
Control Lever Assembly.....	12	Flex Fan Drive Assembly.....	49
Control Grip Assembly.....	13	Radiator Assembly.....	50,51
Parking Brake Assembly.....	14,15	Radiator Shroud Assembly.....	52
Fuel Tank Assembly.....	16	Belt Guard Assembly.....	53
Fuel Supply Assembly.....	17	Front Pointer Assembly.....	54
Battery Assembly.....	18,19	14” Blade Guard Assembly.....	56,57
Hydraulic Pump Assembly.....	20	20” Blade Guard Assembly.....	58,89
Water Supply Assembly.....	21	26” Blade Guard Assembly.....	60,61
Depth Indicator Assembly.....	22	30” Blade Guard Assembly.....	62,63
Depth Stop Assembly.....	23	36” Blade Guard Assembly.....	64,65
Air Cleaner Assembly.....	24	42” Blade Guard Assembly.....	66,67
Coolant Tank Assembly.....	25	Optional Water Pump Assembly.....	68
Frame Base Assembly.....	26,27	Optional Water Safety Switch Assembly.....	69
Rear Drive Assembly.....	28,29	Optional Spot Light Assembly.....	70
Eaton Transmission Assembly.....	30	Optional Speed Metering Valve Assembly.....	71
Linkage Assembly.....	31	Optional Blade Stacking Assembly.....	72,73
Rear Axle Assembly.....	32	Optional Blade Spacing Assembly.....	74,75
Hydraulic Cylinder Assembly.....	33	Optional Blade Spacing Assembly.....	76,77
Front Axle Assembly.....	34	Optional Side Plunge Assembly.....	78,79
Front Wheel Assembly.....	35	Wiring Diagram.....	80
Blade Shaft Assembly.....	36,37	Decal Group.....	81
Expansion Tank Assembly.....	38	Notes.....	82
Frame Lift Assembly.....	39	Blade Speed Conversion Charts.....	83
Belt Tensioner Assembly.....	40	Warranty.....	84
Belt Drive Assembly.....	41		

Pictorial Page Index



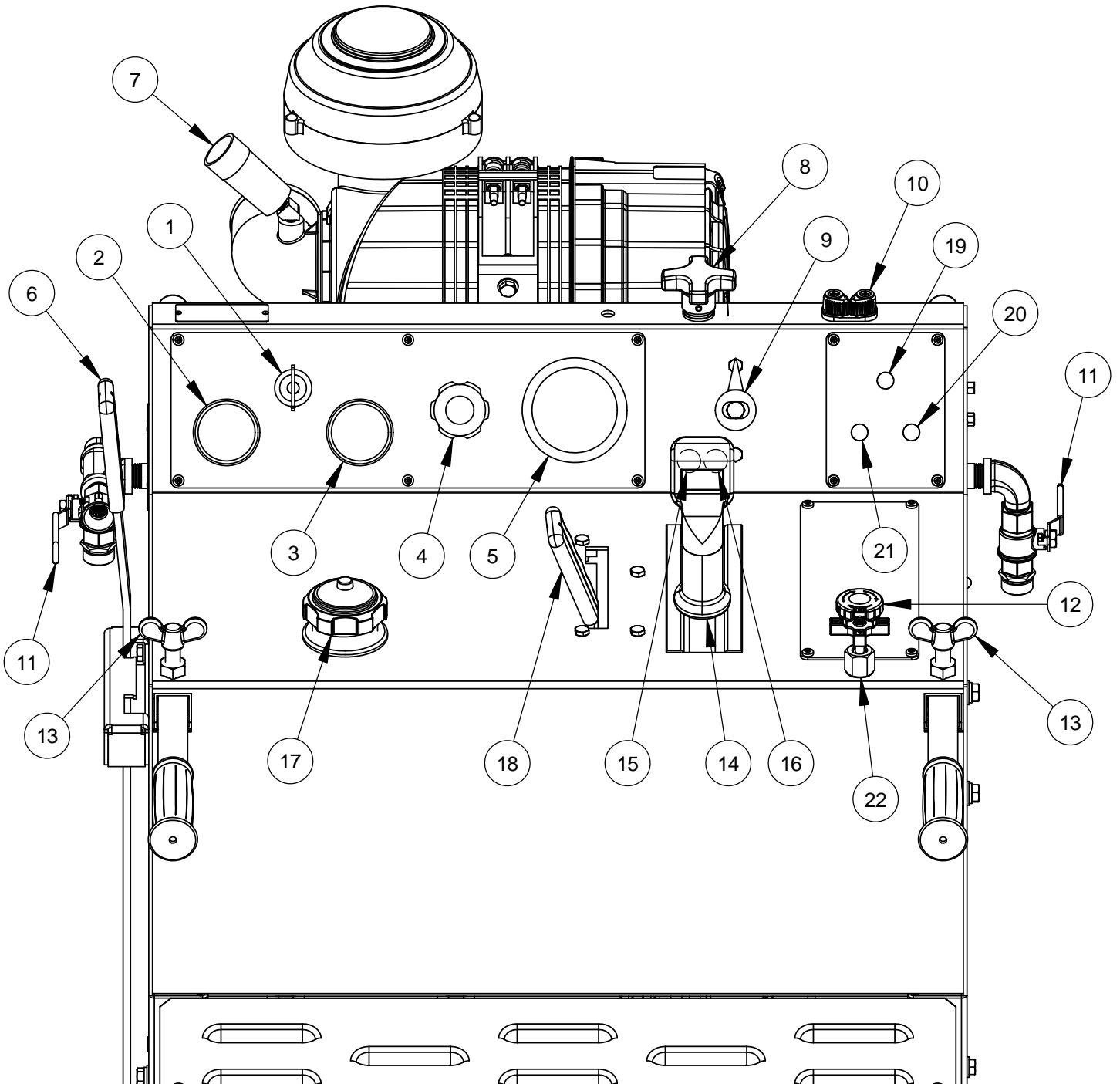
Pictorial Page Index



Controls Legend

1	Ignition Switch
2	Coolant Temperature Gauge
3	Engine 4 Warning Light Gauge
4	Engine Throttle Control
5	Blade Tachometer / Hour Meter
6	Parking Brake Lever
7	Air Cleaner Restriction Indicator
8	Depth Stop Knob
9	Cutting Depth Indicator
10	Pointer Rope Cleat
11	Water Valve

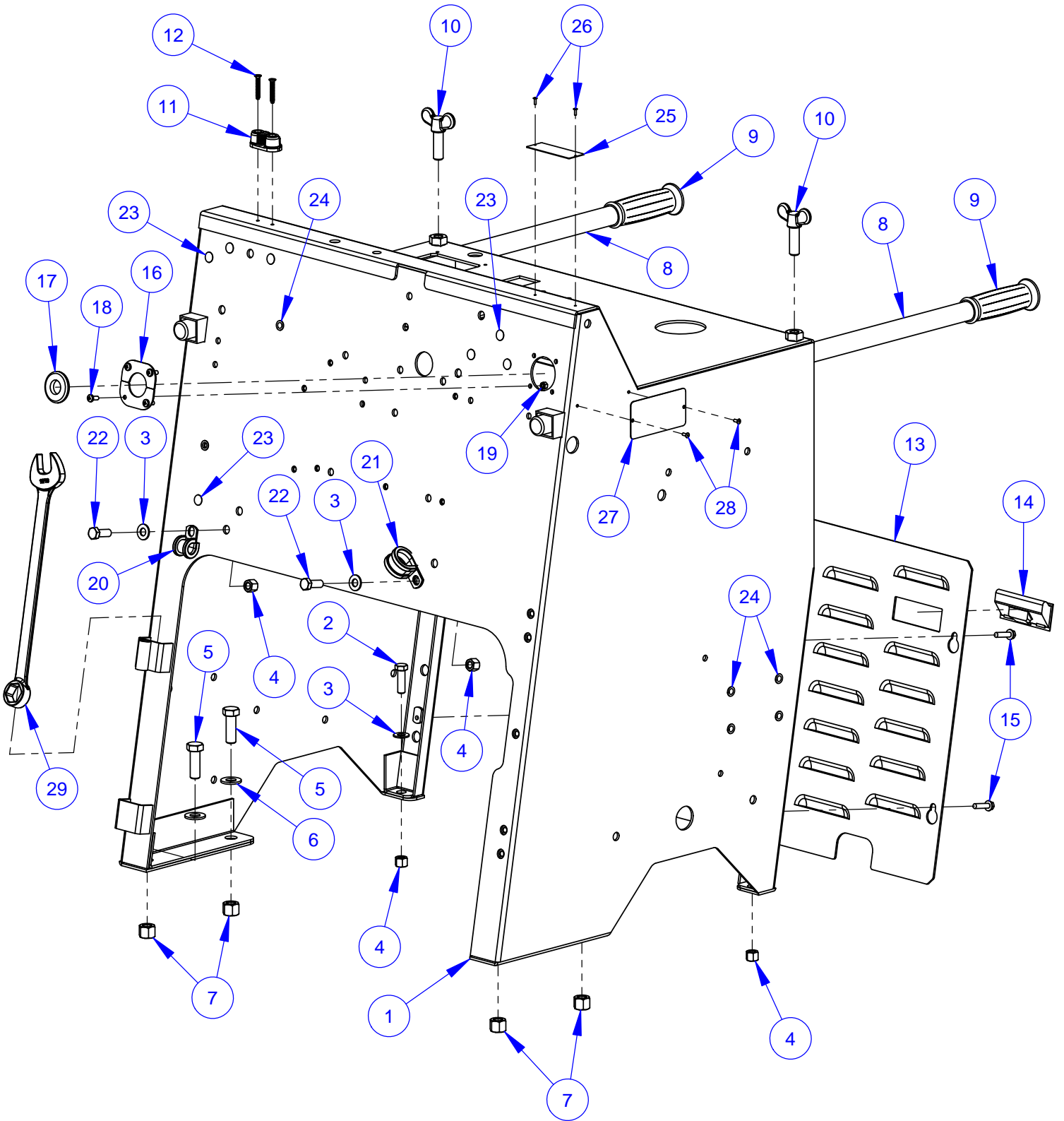
12	Emergency Stop Button
13	Handle Bar Lock Knobs
14	Travel Speed Control Lever
15	Saw Raise Push Button
16	Saw Lower Push Button
17	Fuel Filler / Gauge Cap
18	Transmission Engagement Lever
19	Water Safety Switch (Optional)
20	Spot Light Switch (Optional)
21	Water Pump Switch (Optional)
22	Lowering Speed Valve (Optional)



Quick Reference Service Filters / Belts

DP Part No.	Description	Manufacturer's Part No.
2702630	Engine Oil Filter	Kubota #HH1CO-32430
2702631	Engine Fuel Filter	Kubota #16631-43560
2501785	In-Line Fuel Tank Filter	Wix #33007
2501386	Outer Primary Air Filter	Donaldson #P827653
2501387	Inner Safety Air Filter	Donaldson #P829332
2503849	Blade Shaft Belt	Gates #3VX570
2503683	Blade Shaft Belt	Gates #3VX580
2503684	Blade Shaft Belt	Gates #3VX600
2500792	Engine to Jackshaft Belt	Gates #3VX400
2503679	Eaton Transmission Belt	Gates #AX37

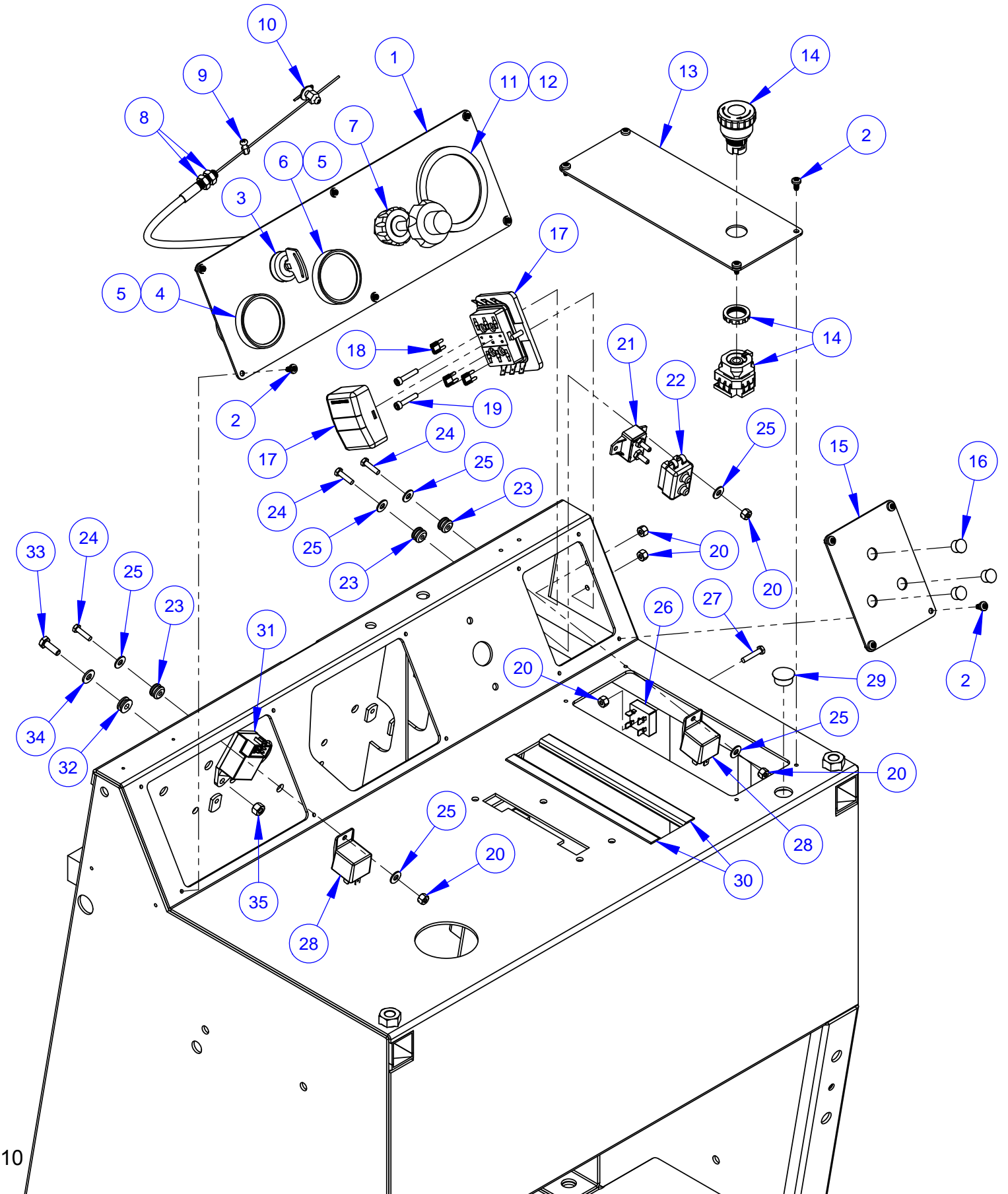
Frame Upright Assembly #6019010A



Frame Upright Assembly #6019010A

ITEM	PART NO.	QTY.	DESCRIPTION
1	6010687	1	Frame Upright Weldment
2	2900013	2	Cap Screw, Hex Hd., 3/8-16 x 1-1/4"
3	2900014	4	Flat Washer, 3/8" SAE
4	2900018	4	Locknut, 3/8-16, Nylon
5	2900499	4	Cap Screw, Hex Hd., 1/2-13 x 1-1/2"
6	2900058	4	Flat Washer, 1/2" SAE
7	2900026	4	Lock Nut, 1/2-13 Nylon
8	6010014	2	Handle Bar, 36" Long
9	2500636	2	Handle Grip
10	2900430	2	Hand Lock Knob, 1/2-13 x 1-1/2"
11	2501427	1	Rope Cleat
12	2900483	2	Tap Screw, Flat Hd., #10-24 x 1-1/4"
13	6010015	1	Rear Cover Screen
14	2503687	2	Pocket Pull Handle
15	2900180	4	Cap Screw, Hex Flange Hd., 1/4-20 x 1"
16	6019271	2	Split Grommet Plate
17	2506042	1	Grommet, 3/4" I.D.
18	2900794	4	Machine Screw, Pan Hd., M5-0.8 x 12mm
19	2900301	4	Lock Nut, M5-0.8 Nylon Insert
20	2501434	1	Hose Clamp, 5/8" x 3/4" Wide
21	3201729	1	Hose Clamp, 1" x 3/4" Wide
22	2900005	2	Cap Screw, Hex Hd., 3/8-16 x 1"
23	2501287	7	Plug, 7/16" Hole
24	2503749	6	Plug, 5/16" Hole (Tapered)
25	1800169	1	Serial Number Plate, US
26	2900096	2	Rivet, 3/32" Dia.
27	1800377	1	Serial Number Plate, CE
28	2900287	2	Rivet, 1/8" Dia.
29	2503704	1	Wrench, 15/16" Combination

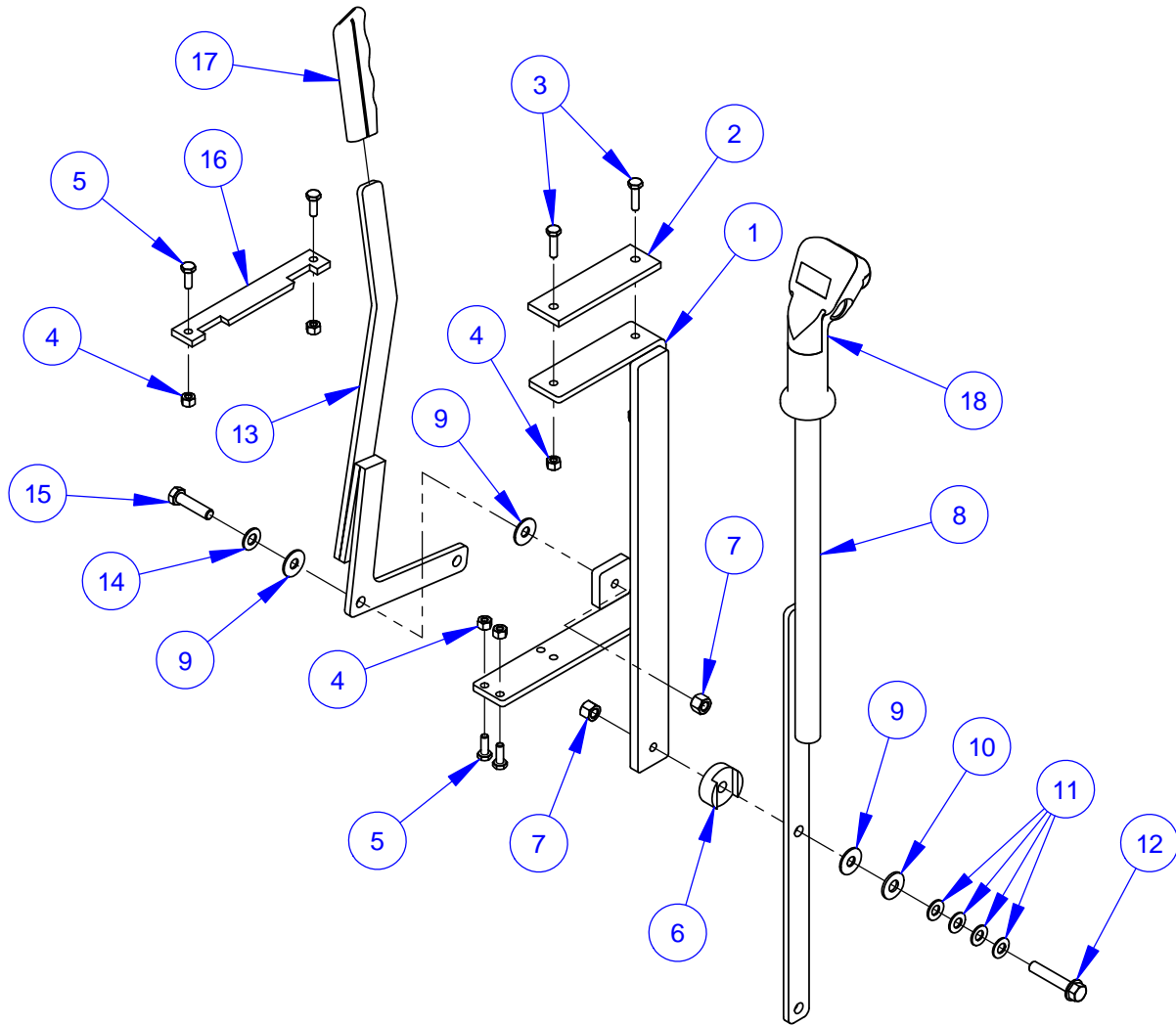
Instrument Panel Assembly #6019015



Instrument Panel Assembly #6019015

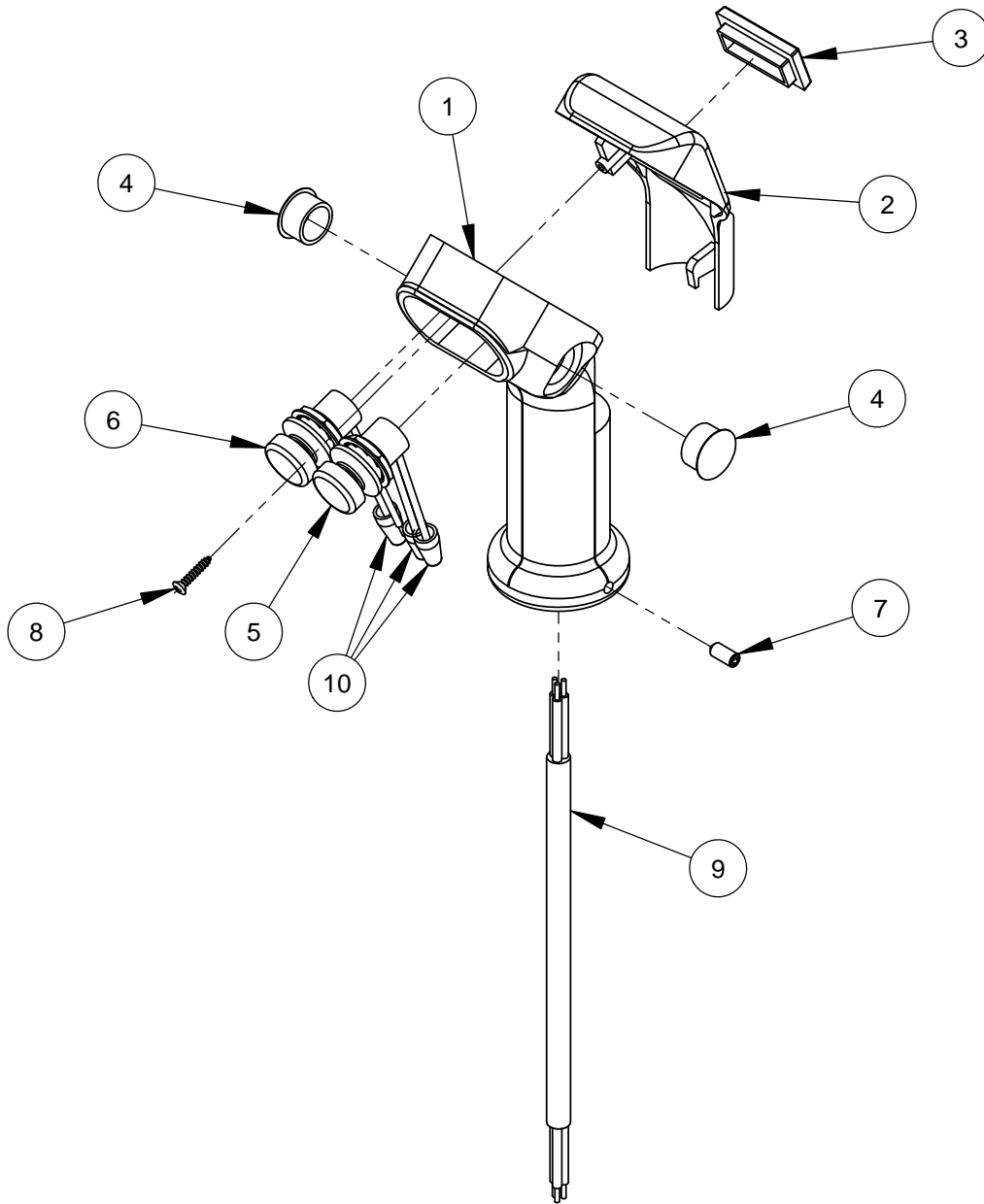
ITEM	PART NO.	QTY.	DESCRIPTION
1	6019068	1	Gauge Panel
2	2900021	14	Tap Screw, Pan Hd., #10-24 x 3/8"
3	2705001	1	Ignition Switch & Keys
	2705000	1	Ignition Keys Only (Pair)
4	2800617	1	Water Temperature Gauge
5	2503981	2	O-Ring #033
6	2705003	1	Cluster Gauge, 4 Warning Light
7	2503772	1	Vernier Throttle Cable
8	2900696	2	Jam Nut, 3/8-24
9	2503847	1	Wire Stop and Screw
10	2502180	1	Wire Stop Pivot Assembly
11	6010416	1	Tach/Hour Meter (VDO) Calibrated 60
	2800611	2	Light Socket
	2800612	2	Light Bulb, Wedge Base
12	2400628	1	O-Ring #152
13	6010019	1	Hydraulic Pump Cover Plate
14	2801367	1	E-Stop Switch
15	6010098	1	Switch Plate
16	2500204	3	Plug, 1/2" Hole
17	2800925	1	Fuse Block, 6 Circuit, Mini ATM
18	2801439	3	Fuse, 10 Amp Mini (Red)
19	2900913	2	Cap Screw, Soc. Hd., #10-24 x 1"
20	2900017	6	Lock Nut, #10-24 Nylon
21	2800643	1	Circuit Breaker, 40 Amp
22	2800364	1	Circuit Breaker Boot
23	2506028	3	Grommet, 3/16" I.D.
24	2900015	3	Machine Screw, Hex Hd., #10-24 x 3/4"
25	2900016	6	Flat Washer, #10 USS
26	2800368	1	Bridge Rectifier
27	2900054	1	Machine Screw, Hex Hd., #10-24 x 1"
28	2800144	2	Relay, 50 Amp, 12V, SPDT
29	2500463	1	Plug, 3/4" Hole
30	6010101	2	Edge Trim 8-1/2"
31	2705006	1	Timer, 12V DC
32	3201925	1	Grommet, 1/4" I.D.
33	2900144	1	Cap Screw, Hex Hd., 1/4-20 x 3/4"
34	2900009	1	Flat Washer, 1/4" SAE
35	2900010	1	Lock Nut, 1/4-20 Nylon

Control Lever Assembly #6010719



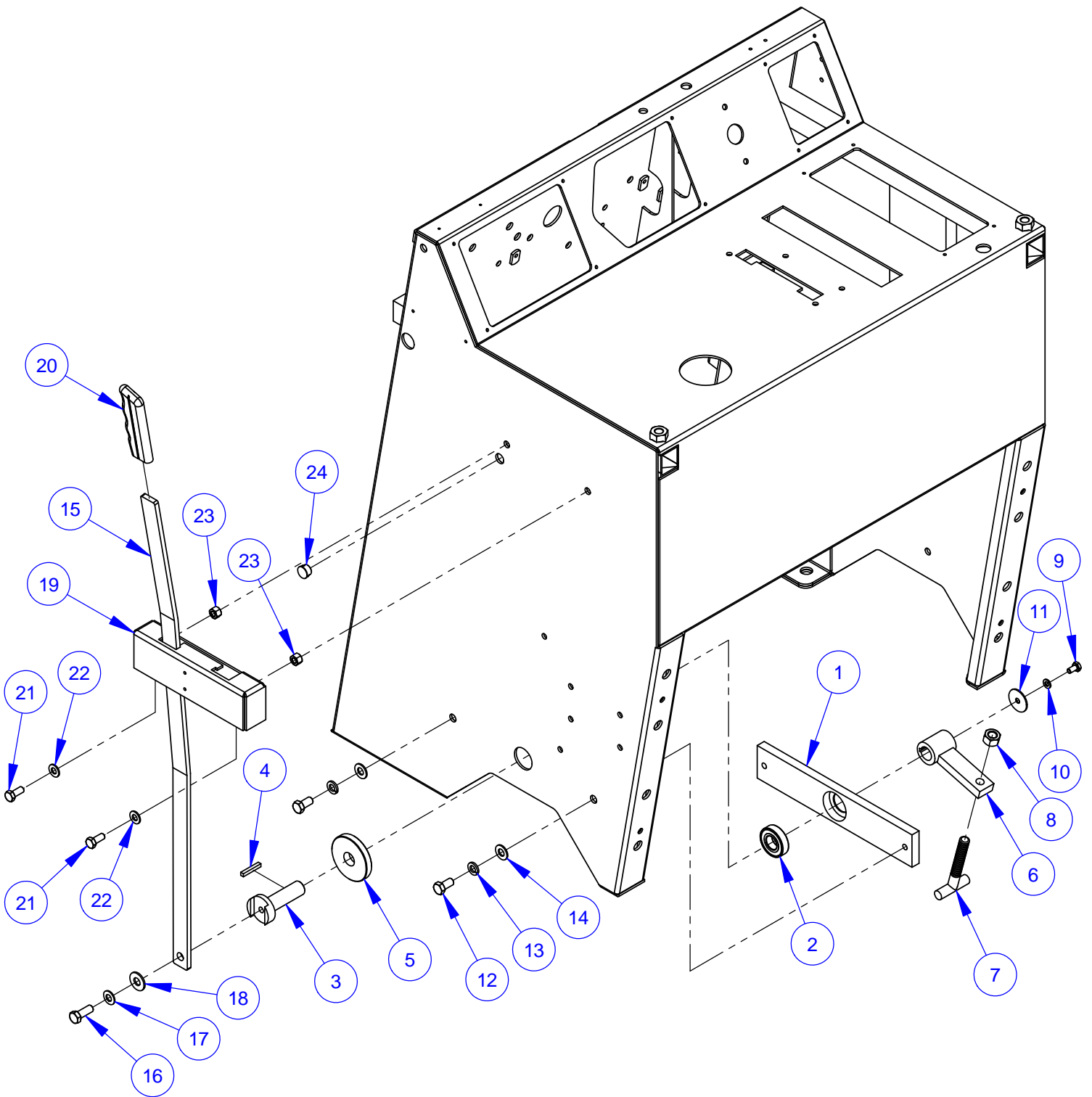
ITEM	PART NO.	QTY.	DESCRIPTION
1	6010056	1	Lever Support Weldment
2	2501339	1	Rubber Support Mount
3	2900008	2	Cap Screw, Hex Hd., 1/4-20 x 1"
4	2900010	6	Lock Nut, 1/4-20 Nylon
5	2900144	4	Cap Screw, Hex Hd., 1/4-20 x 3/4"
6	6010055	1	Friction Spacer
7	2900018	2	Locknut, 3/8-16, Nylon
8	6010314	1	Speed Control Lever
9	2900153	3	Friction Washer, 3/8"
10	2900473	1	Flat Washer, 3/8" USS
11	2900474	4	Belleville Washer, 3/8"
12	2900472	1	Cap Screw, Hex Flange Hd., 3/8-16 x 2"
13	6010057	1	Engagement Lever Weldment
14	2900014	1	Flat Washer, 3/8" SAE
15	2900029	1	Cap Screw, Hex Hd., 3/8-16 x 1-1/2"
16	6010058	1	Gate Plate
17	2500002	1	Lever Grip
18	6010319	1	Control Grip Assembly

Control Grip Assembly #6010319



ITEM	PART NO.	QTY.	DESCRIPTION
1	2501280	1	Control Grip Body
2	2501281	1	Control Grip Cover
3	2500644	1	Plug, Rectangular
4	2500694	2	Plug, 5/8" Hole
5	2800372	1	Pushbutton Switch (B&G)
6	2800373	1	Pushbutton Switch (B&W)
7	2900453	1	Set Screw, Soc. Hd., M5-0.8 x 12mm
8	2900452	1	Machine Screw, Oval Hd., #4 x 5/8"
9	2800393	1	Harness, Hydraulic Pump
10	2800002	3	Wire Nut, 22-16 Gage

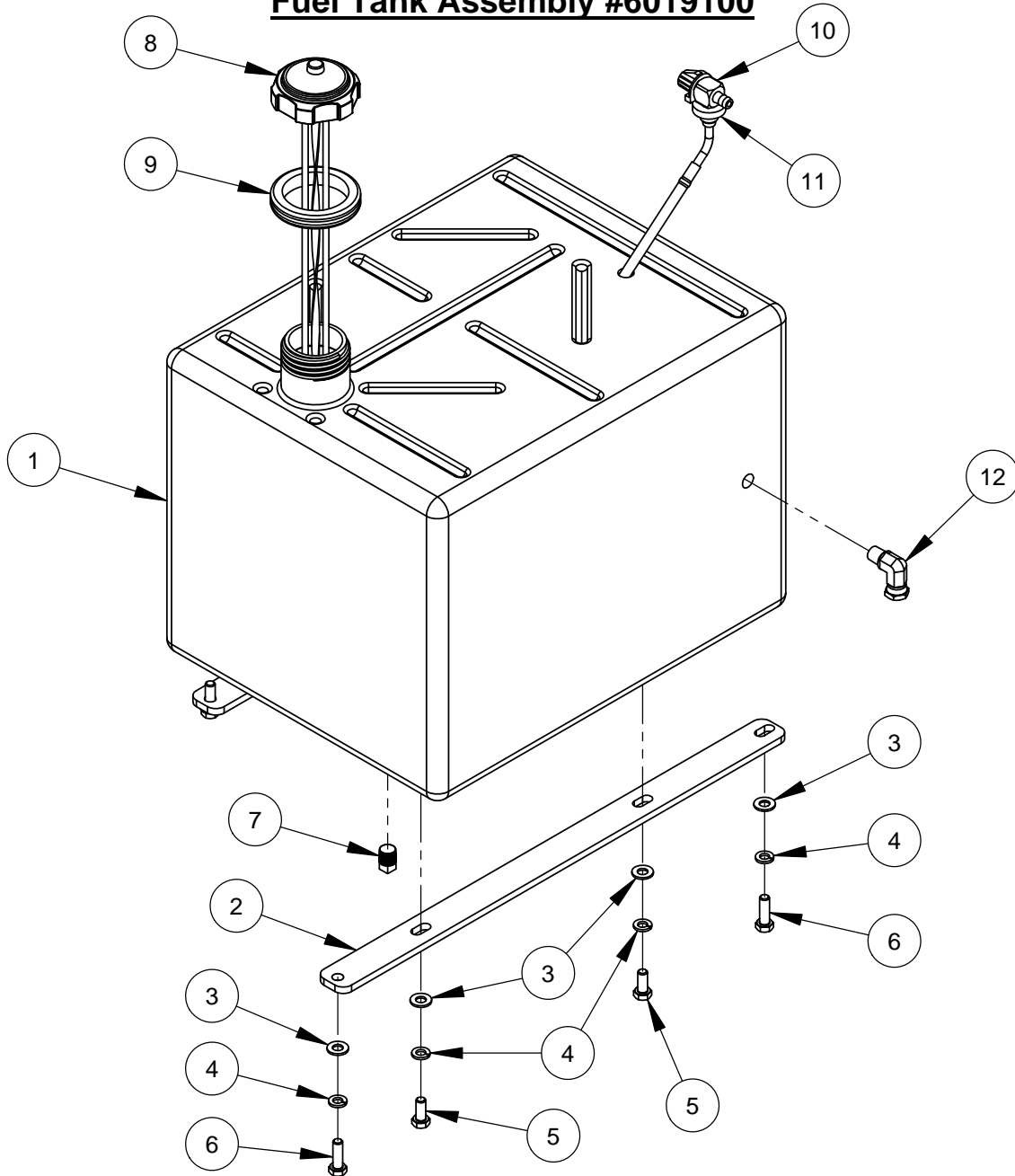
Parking Brake Assembly #6011228



Parking Brake Assembly #6011228

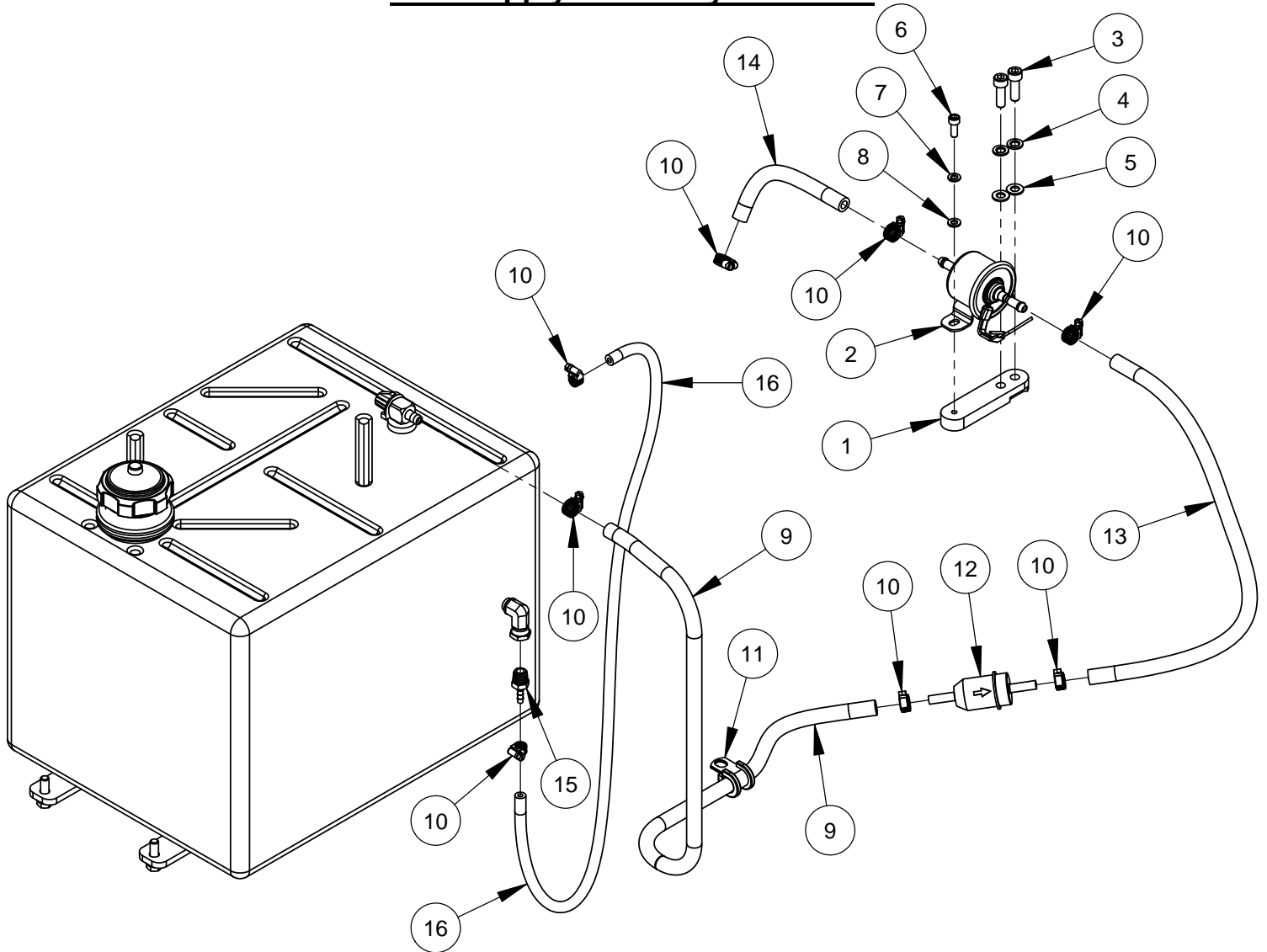
ITEM	PART NO.	QTY.	DESCRIPTION
1	6011229	1	Bearing Housing Bar
2	2501664	1	Ball Bearing, 3/4" x 1-5/8" x 7/16"
3	6011230	1	Pivot Pin
4	6048229	1	Key, 3/16" Sq. x 1-1/4"
5	6011234	1	Friction Disc, 3/4" x 2-1/2" x 3/8"
6	6011231	1	Pivot Arm
7	2900632	1	T-Bolt, 1/2-13
8	2900037	1	Hex Nut, 1/2-13
9	2900082	1	Cap Screw, Hex Hd., 1/4-20 x 1/2"
10	2900024	1	Lock Washer, 1/4" Split
11	2900083	1	Fender Washer, 1/4" x 1-1/4"
12	2900196	2	Cap Screw, Hex Hd., 3/8-16 x 3/4"
13	2900006	2	Lock Washer, 3/8" Split
14	2900014	2	Flat Washer, 3/8" SAE
15	6011232	1	Brake Lever
16	2900005	1	Cap Screw, Hex Hd., 3/8-16 x 1"
17	2900474	1	Belleville Washer, 3/8"
18	2900473	1	Flat Washer, 3/8" USS
19	6011233	1	Lever Gate
20	2500002	1	Lever Grip
21	2900019	2	Cap Screw, Hex Hd., 5/16-18 x 3/4"
22	2900022	2	Flat Washer, 5/16" SAE
23	2900039	2	Lock Nut, 5/16-18 Nylon
24	2503783	1	Plug, 9/16" Hole
25	6010687	1	Frame Upright Weldment

Fuel Tank Assembly #6019100



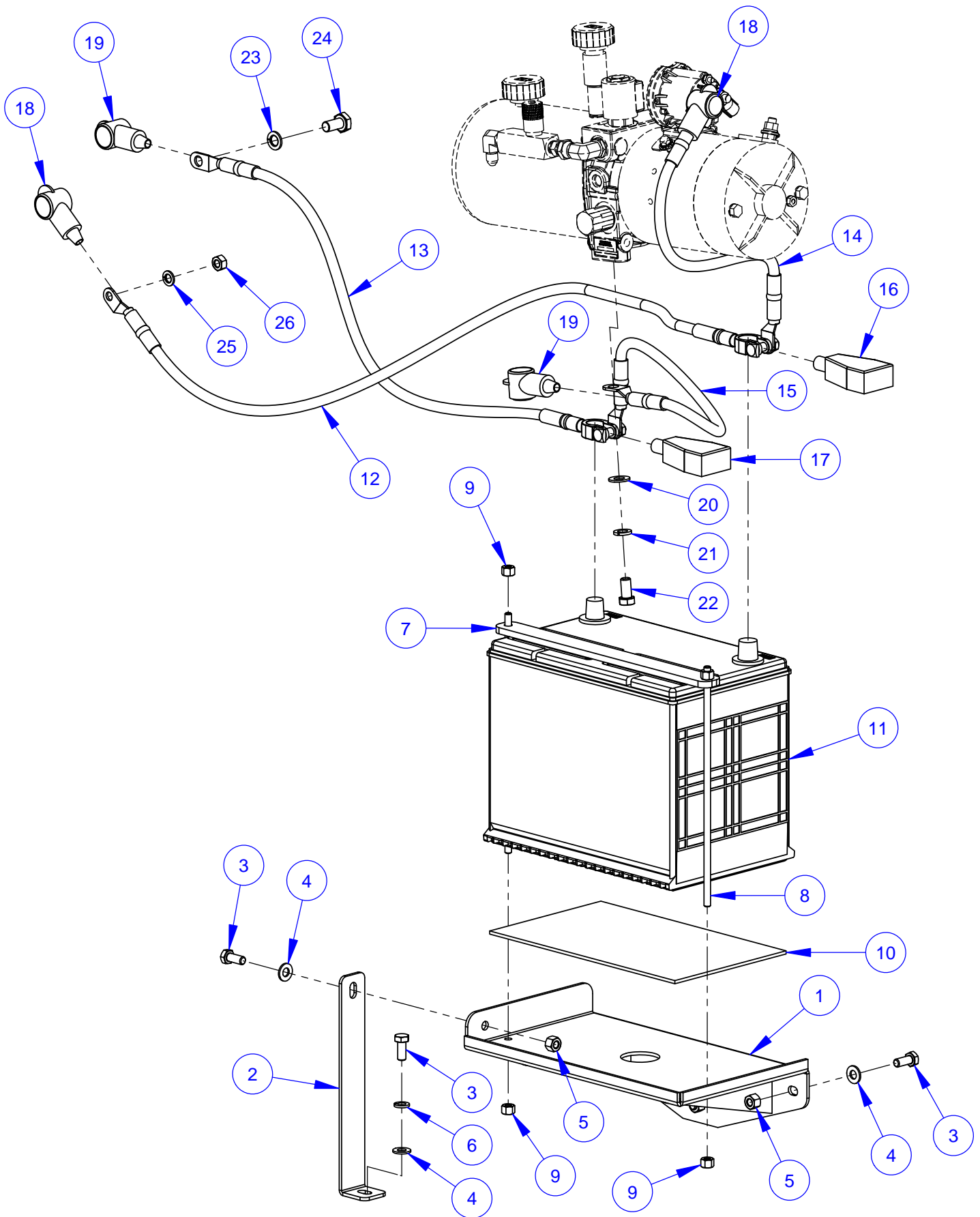
ITEM	PART NO.	QTY.	DESCRIPTION
1	2501784	1	Fuel Tank
2	6010257	2	Fuel Tank Mount Bar
3	2900022	8	Flat Washer, 5/16" SAE
4	2900031	8	Lock Washer, 5/16" Split
5	2900019	4	Cap Screw, Hex Hd., 5/16-18 x 3/4"
6	2900138	4	Cap Screw, Hex Hd., 5/16-18 x 1"
7	3200206	1	Pipe Plug, 1/4" NPT
8	2504786	1	Fuel Tank Cap & Gauge
9	2500205	1	Fuel Tank Grommet
10	2501777	1	Fuel Valve w/Pick-Up
11	2501215	1	Bushing, Rubber, Tank
12	3200059	1	Elbow, 1/4" M. to 1/4" F. Pipe Swivel

Fuel Supply Assembly #6019101



ITEM	PART NO.	QTY.	DESCRIPTION
1	6019044	1	Fuel Pump Mount Bar
2	2705005	1	Electric Fuel Pump
3	2900161	2	Cap Screw, Soc. Hd., M8-1.25 x 25mm
4	2900763	2	Lock Washer, M8 Split
5	2901336	2	Flat Washer, M8
6	2900553	1	Cap Screw, Soc. Hd., M6-1.0 x 16mm
7	2900765	1	Lock Washer, M6 Split
8	2901494	1	Flat Washer, M6
9	6010693	1	Fuel Supply Hose, 5/16" I.D. x 30"
10	3200062	8	Hose Clamp #4
11	2501434	1	Hose Clamp, 5/8" x 3/4" Wide
12	2501785	1	Filter, Diesel Fuel
13	6019094	1	Fuel Line Hose, 5/16" I.D. x 16"
14	6019146	1	Fuel Line Hose, 5/16" I.D. x 6"
15	3200210	1	Fitting, 1/4" M. Pipe to 3/16" Hose Barb
16	6017045	1	Fuel Return Hose, 3/16" I.D. x 30"

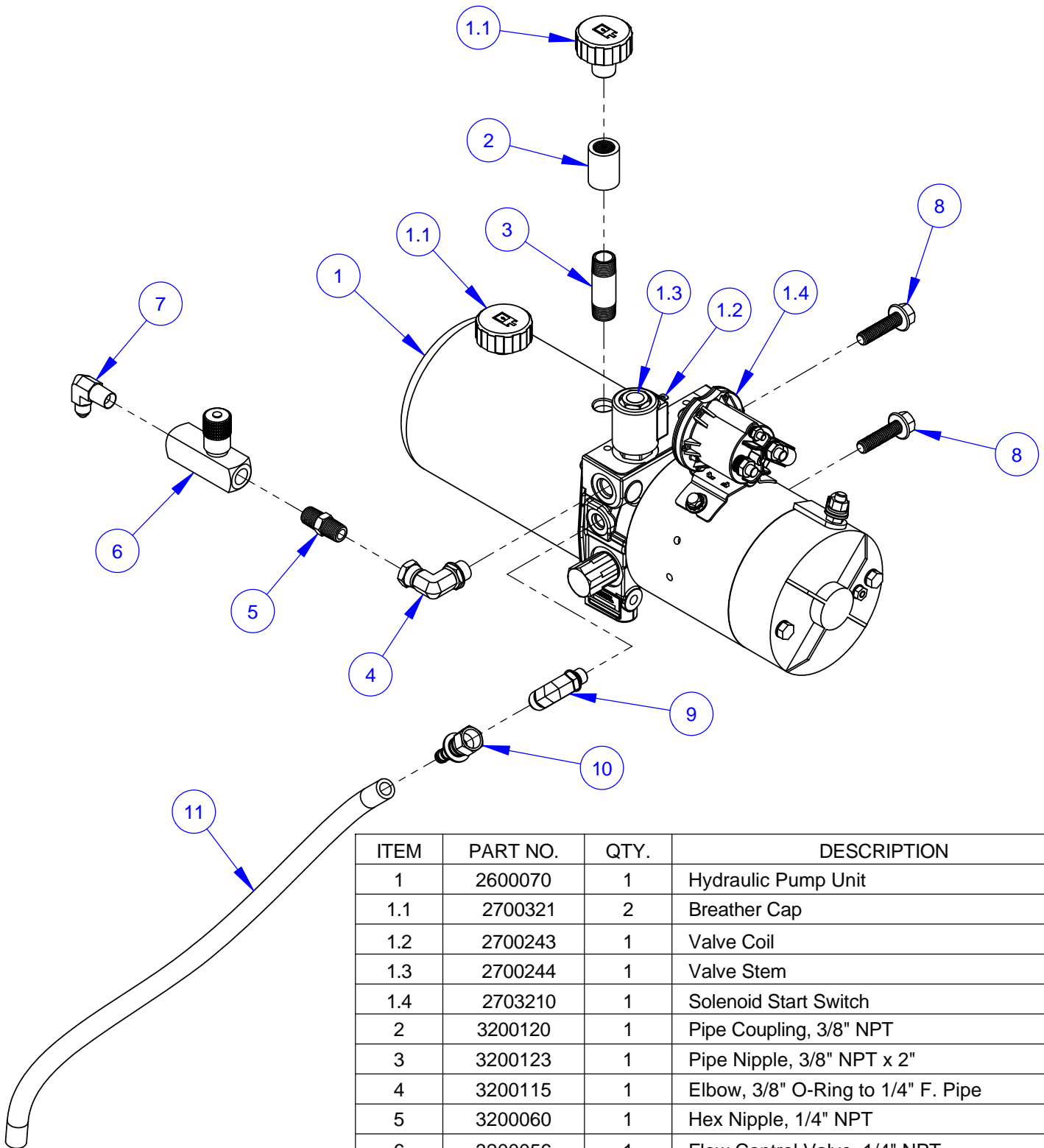
Battery Assembly #6019102



Battery Assembly #6019102

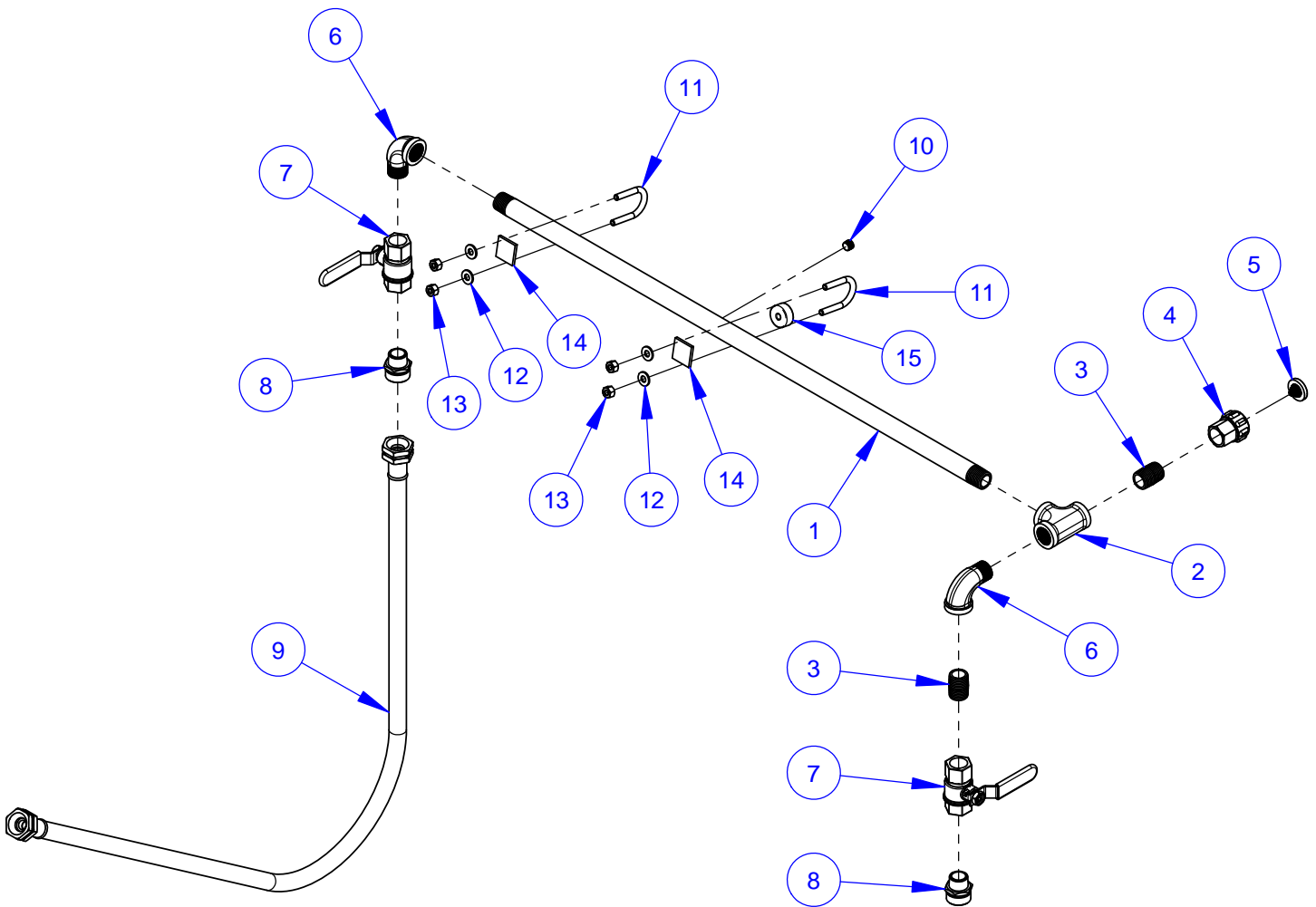
ITEM	PART NO.	QTY.	DESCRIPTION
1	6010670	1	Battery Platform
2	6010554	1	Battery Support Brace
3	2900019	5	Cap Screw, Hex Hd., 5/16-18 x 3/4"
4	2900022	5	Flat Washer, 5/16" SAE
5	2900039	4	Lock Nut, 5/16-18 Nylon
6	2900031	1	Lock Washer, 5/16" Split
7	6010017	1	Battery Top Brace
8	6010344	2	Rod, 1/4-20 x 9-1/2"
9	2900010	4	Lock Nut, 1/4-20 Nylon
10	6010016	1	Battery Pad
11	2800465	1	Battery, 12 Volt Group Size 24
12	2800082	1	Battery Cable, 48" Positive (Red)
13	2800072	1	Battery Cable, 30" Negative (Black)
14	2800095	1	Solenoid Cable, 14" Positive (Red)
15	2800182	1	Ground Cable, 14" Negative (Black)
16	2800256	1	Battery Boot, Large (Red)
17	2800257	1	Battery Boot, Large (Black)
18	2800197	2	Battery Boot, Small (Red)
19	2800198	2	Battery Boot, Small (Black)
20	2900014	1	Flat Washer, 3/8" SAE
21	2900006	1	Lock Washer, 3/8" Split
22	2900196	1	Cap Screw, Hex Hd., 3/8-16 x 3/4"
23	2900321	1	Lock Washer, M10 Split
24	2901021	1	Cap Screw, Hex Hd., M10-1.25 x 20mm
25	2900763	1	Lock Washer, M8 Split
26	2900343	1	Hex Nut, M8-1.25

Hydraulic Pump Assembly #6010213 (Includes Items #1 - #8)



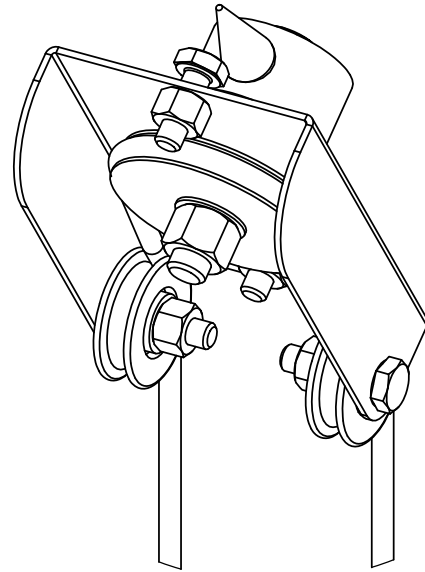
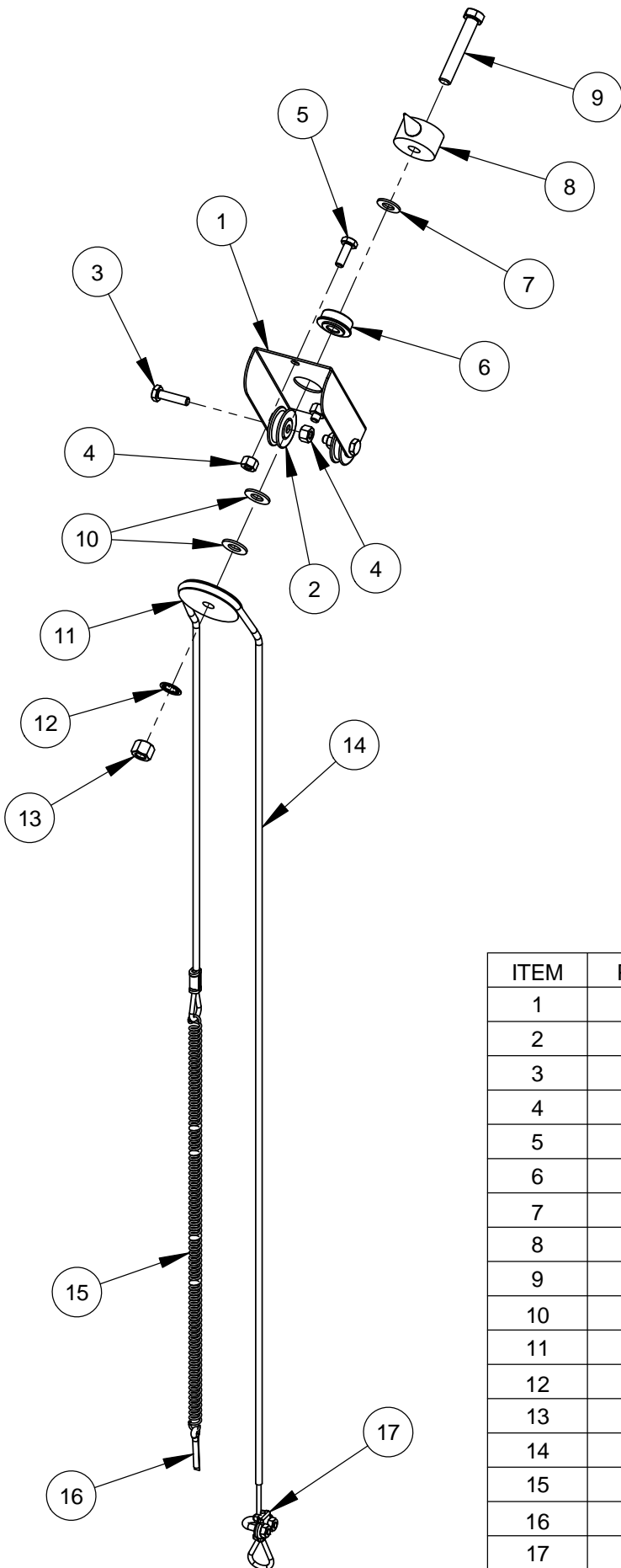
ITEM	PART NO.	QTY.	DESCRIPTION
1	2600070	1	Hydraulic Pump Unit
1.1	2700321	2	Breather Cap
1.2	2700243	1	Valve Coil
1.3	2700244	1	Valve Stem
1.4	2703210	1	Solenoid Start Switch
2	3200120	1	Pipe Coupling, 3/8" NPT
3	3200123	1	Pipe Nipple, 3/8" NPT x 2"
4	3200115	1	Elbow, 3/8" O-Ring to 1/4" F. Pipe
5	3200060	1	Hex Nipple, 1/4" NPT
6	3200056	1	Flow Control Valve, 1/4" NPT
7	3200057	1	Elbow, 1/4" M. Pipe to 1/4" M. JIC
8	2901595	2	Cap Screw, Hex Flange Hd., 3/8-16 x 1-1/2"
9	3200116	1	Elbow, 1/4" O-Ring to 3/8" M. JIC
10	3200046	1	Fitting, 3/8" F. JIC to 3/8" Push Lock
11	6010059	1	Clear Hose, 3/8" I.D. x 19"

Water Supply Assembly #6010718



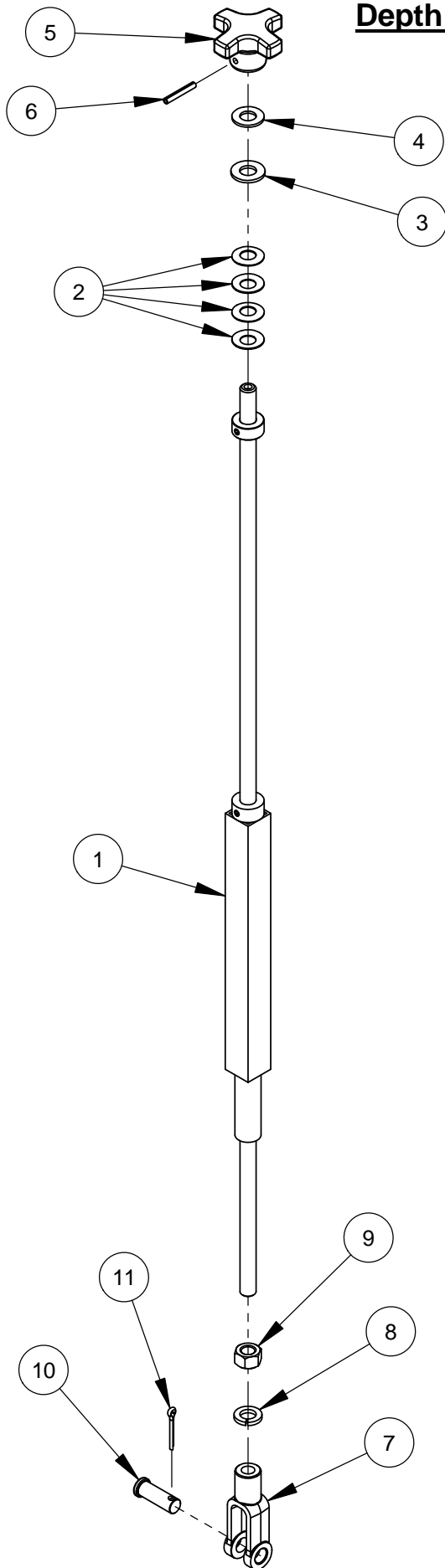
ITEM	PART NO.	QTY.	DESCRIPTION
1	6090069	1	Water Supply Tube
2	3200045	1	Pipe Tee, 1/2" NPT
3	3200008	2	Close Nipple, 1/2" NPT
4	3200022	1	Fitting, 1/2" F. Pipe to 3/4" F. Garden
5	3200025	1	Hose Filter Washer
6	3200013	2	Street Elbow, 1/2" NPT
7	3200027	2	Water Valve
8	3200155	2	Fitting, 1/2" M. Pipe to 3/4" M. Garden
9	6010021	1	Water Hose Assembly 42"
10	3200001	1	Plug, 1/8" NPT
11	2900241	2	U-Bolt, 1/2" Pipe
12	2900009	4	Flat Washer, 1/4" SAE
13	2900010	4	Lock Nut, 1/4-20 Nylon
14	6011547	2	Rubber Cushion
15	2400169	1	Knob Gasket

Depth Indicator Assembly #6010214



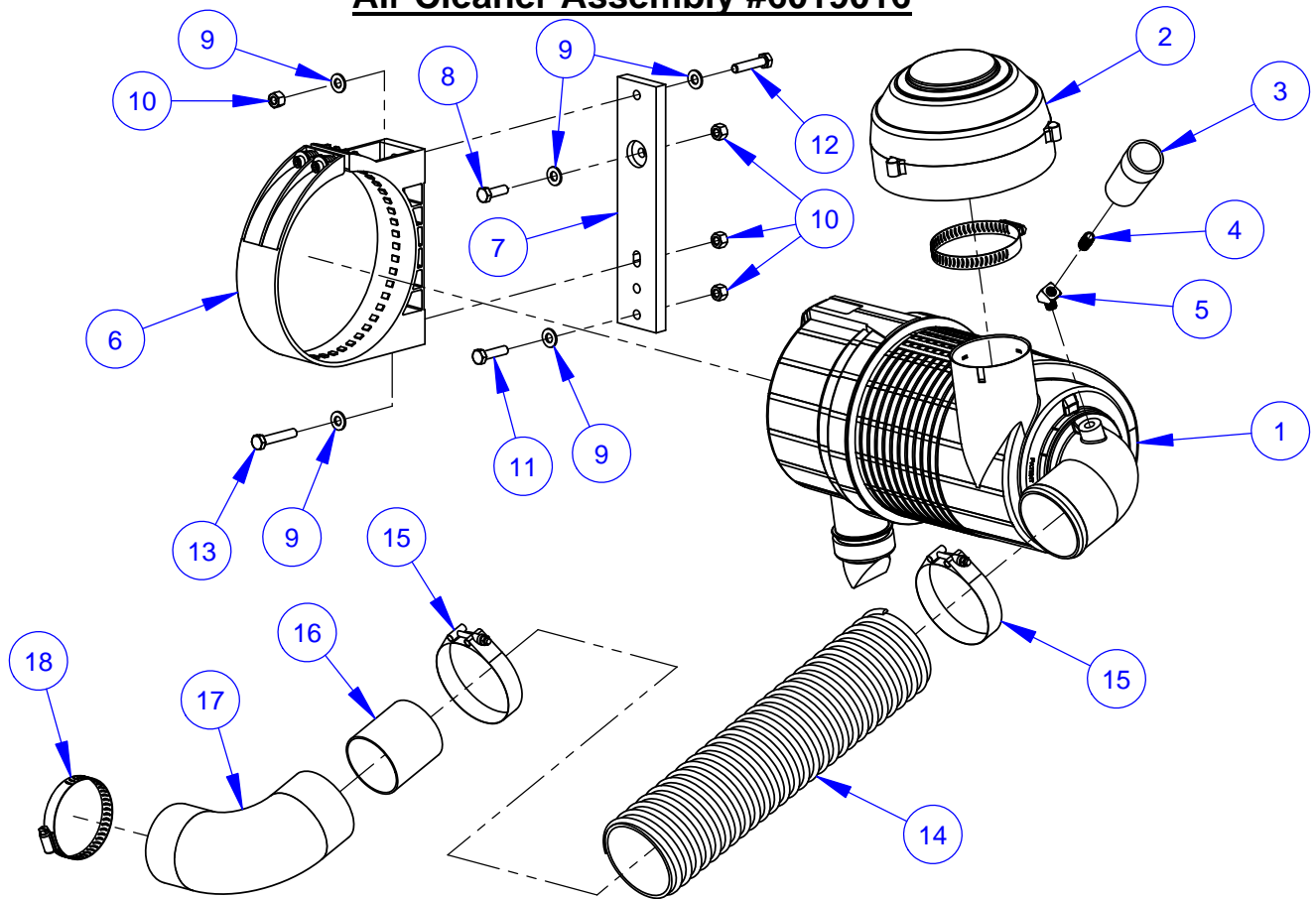
ITEM	PART NO.	QTY.	DESCRIPTION
1	6010092	1	Depth Indicator Mount Bracket
2	2500155	2	Cable Pulley, 1-1/4"
3	2900008	2	Cap Screw, Hex Hd., 1/4-20 x 1"
4	2900010	4	Lock Nut, 1/4-20 Nylon
5	2900144	2	Cap Screw, Hex Hd., 1/4-20 x 3/4"
6	2500145	1	Flange Bearing, 3/8"
7	2901383	1	Friction Washer, 3/8"
8	6010091	1	Depth Indicator Pointer
9	2900079	1	Cap Screw, Hex Hd., 3/8-16 x 2-1/4"
10	2900014	2	Flat Washer, 3/8" SAE
11	6010093	1	Cable Pulley, 2"
12	2900254	1	Lock Washer, 3/8" Internal Tooth
13	2900018	1	Lock Nut, 3/8-16 Nylon
14	6010094	1	Depth Indicator Cable with Crimp, 48"
15	2500196	1	Spring, 3/8" x 15"
16	2900055	1	Cotter Pin, 3/16" x 1"
17	2500214	1	Cable Clamp

Depth Stop Assembly #6010215



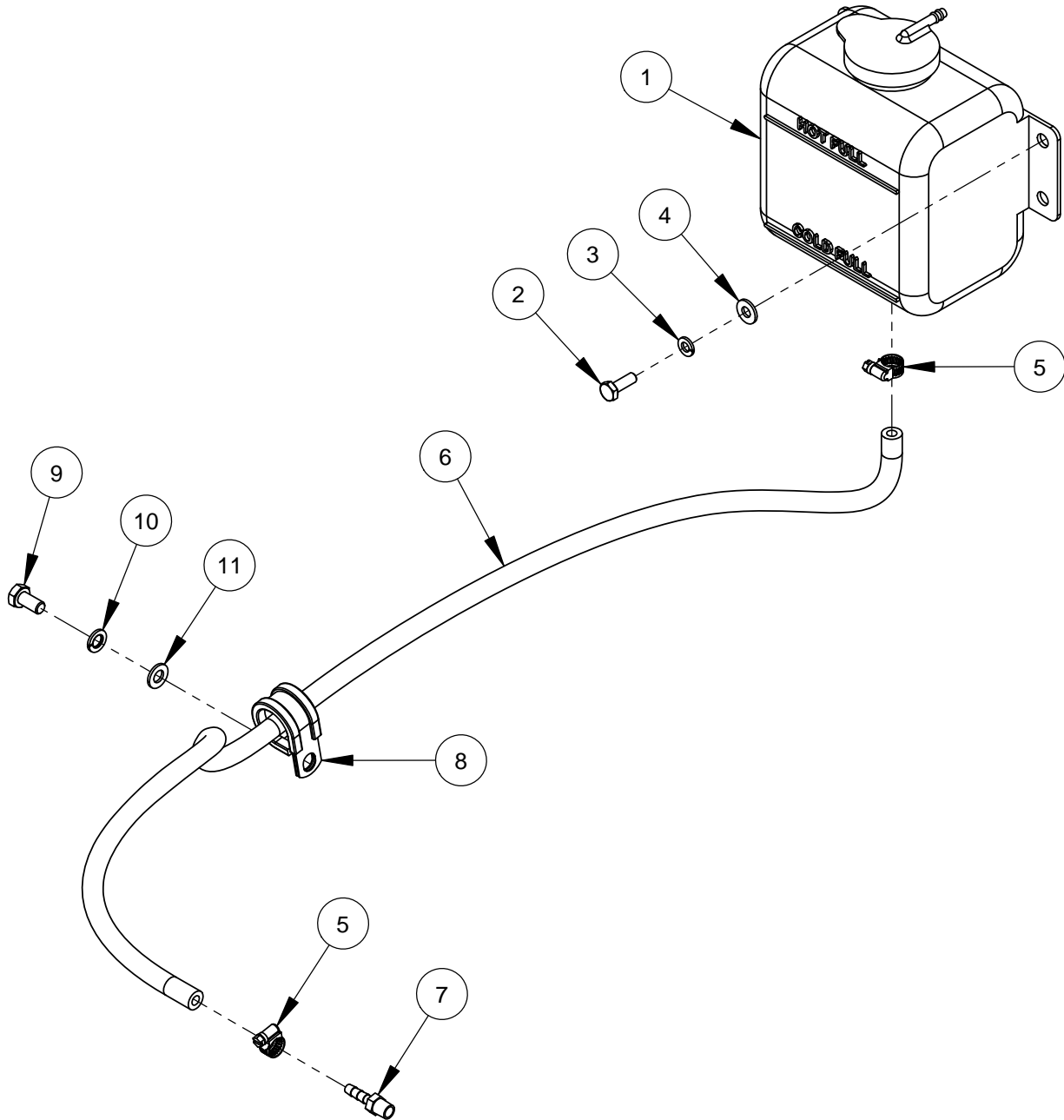
ITEM	PART NO.	QTY.	DESCRIPTION
1	6010097	1	Depth Stop Weldment
2	2900665	4	Belleville Washer, 1/2"
3	2900058	1	Flat Washer, 1/2" SAE
4	2900239	1	Friction Washer, 1/2"
5	6010095	1	Depth Stop Knob
6	2900132	1	Roll Pin, 3/16" x 1-1/4"
7	2900158	1	Yoke, 1/2-13
8	2900084	1	Lock Washer, 1/2" Split
9	2900037	1	Hex Nut, 1/2-13
10	2900007	1	Clevis Pin, 1/2" Dia. x 1-3/8"
11	2900004	1	Cotter Pin, 1/8" x 1"

Air Cleaner Assembly #6019016



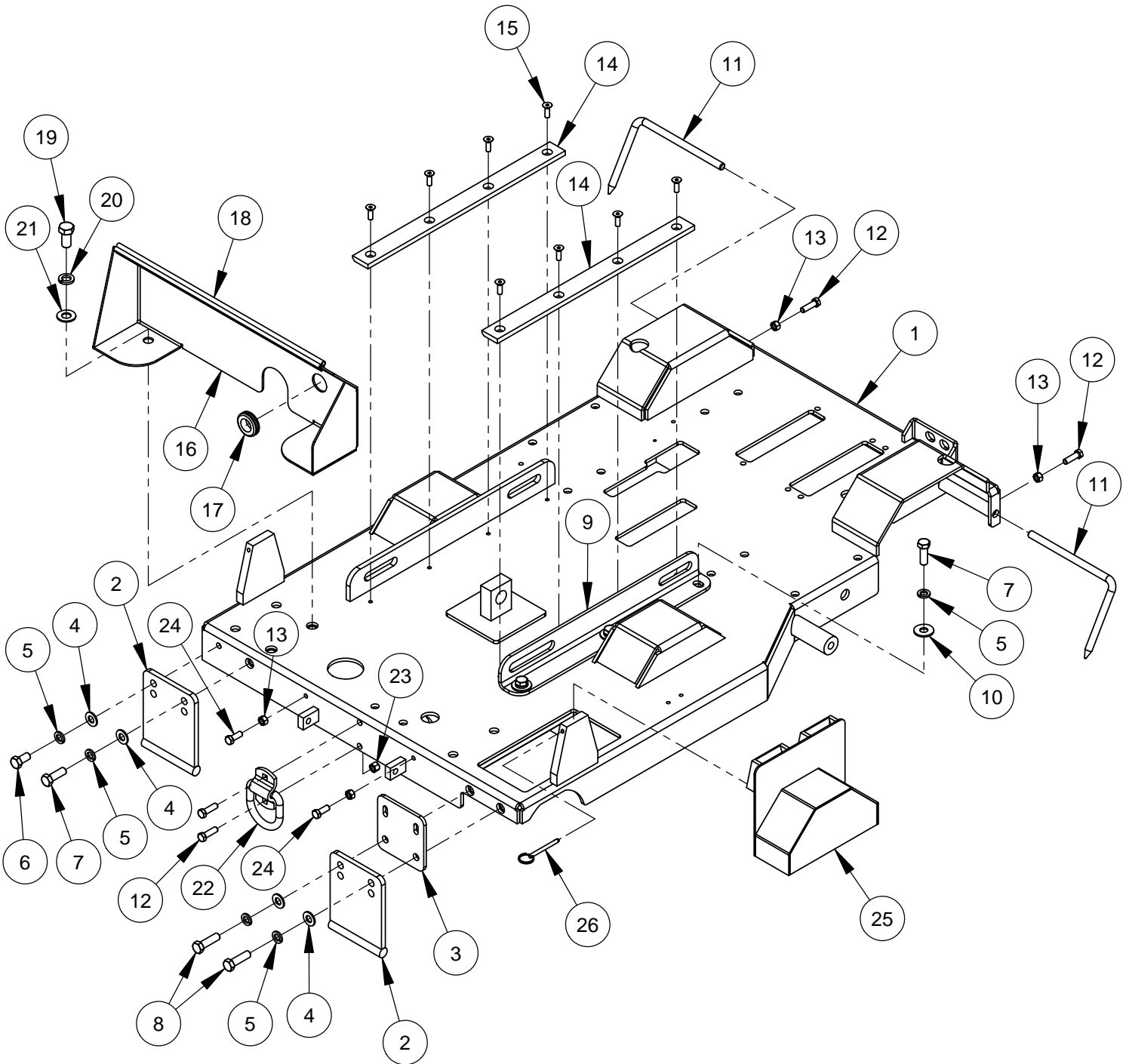
ITEM	PART NO.	QTY.	DESCRIPTION
1	2503852	1	Air Cleaner Complete
	2501386	1	Outer Primary Filter
	2501387	1	Inner Safety Filter
	2500239	1	Rubber Dust Ejector Boot
2	2501388	1	Pre-Cleaner with Clamp
	3200197	1	Hose Clamp #52
3	2500423	1	Restriction Indicator
4	3200117	1	Close Nipple, 1/8" NPT
5	3200099	1	Street Elbow, 1/8" NPT x 45 Deg.
6	2501385	1	Mounting Band, Polymer
7	6010325	1	Air Cleaner Mount Spacer
8	2900138	1	Cap Screw, Hex Hd., 5/16-18 x 1"
9	2900022	5	Flat Washer, 5/16" SAE
10	2900039	4	Lock Nut, 5/16-18 Nylon
11	2900217	1	Cap Screw, Hex Hd., 5/16-18 x 1-1/4"
12	2900508	1	Cap Screw, Hex Hd., 5/16-18 x 1-1/2"
13	2900538	1	Cap Screw, Hex Hd., 5/16-18 x 1-3/4"
14	6019096	1	Flex Hose, 3" I.D. x 16"
15	3202098	2	T-Bolt Clamp, 3-1/2"
16	6010052	1	Connector Tube, 2-1/2" O.D.
17	2500232	1	Hose Elbow, 2-1/2" I.D.
18	3200096	1	Hose Clamp #40

Coolant Tank Assembly #6019009



ITEM	PART NO.	QTY.	DESCRIPTION
1	2503716	1	Coolant Recovery Tank & Cap
2	2900144	1	Cap Screw, Hex Hd., 1/4-20 x 3/4"
3	2900024	1	Lock Washer, 1/4" Split
4	2900009	1	Flat Washer, 1/4" SAE
5	3200062	2	Hose Clamp #4
6	6019095	1	Hose, 1/4" I.D. x 42" Long
7	3200018	1	Fitting, 1/8" M. Pipe to 1/4" Hose Barb
8	3201729	1	Hose Clamp, 1" x 3/4" Wide
9	2900868	1	Cap Screw, Hex Hd., M8-1.25 x 16mm
10	2900763	1	Lock Washer, M8 Split
11	2901336	1	Flat Washer, M8

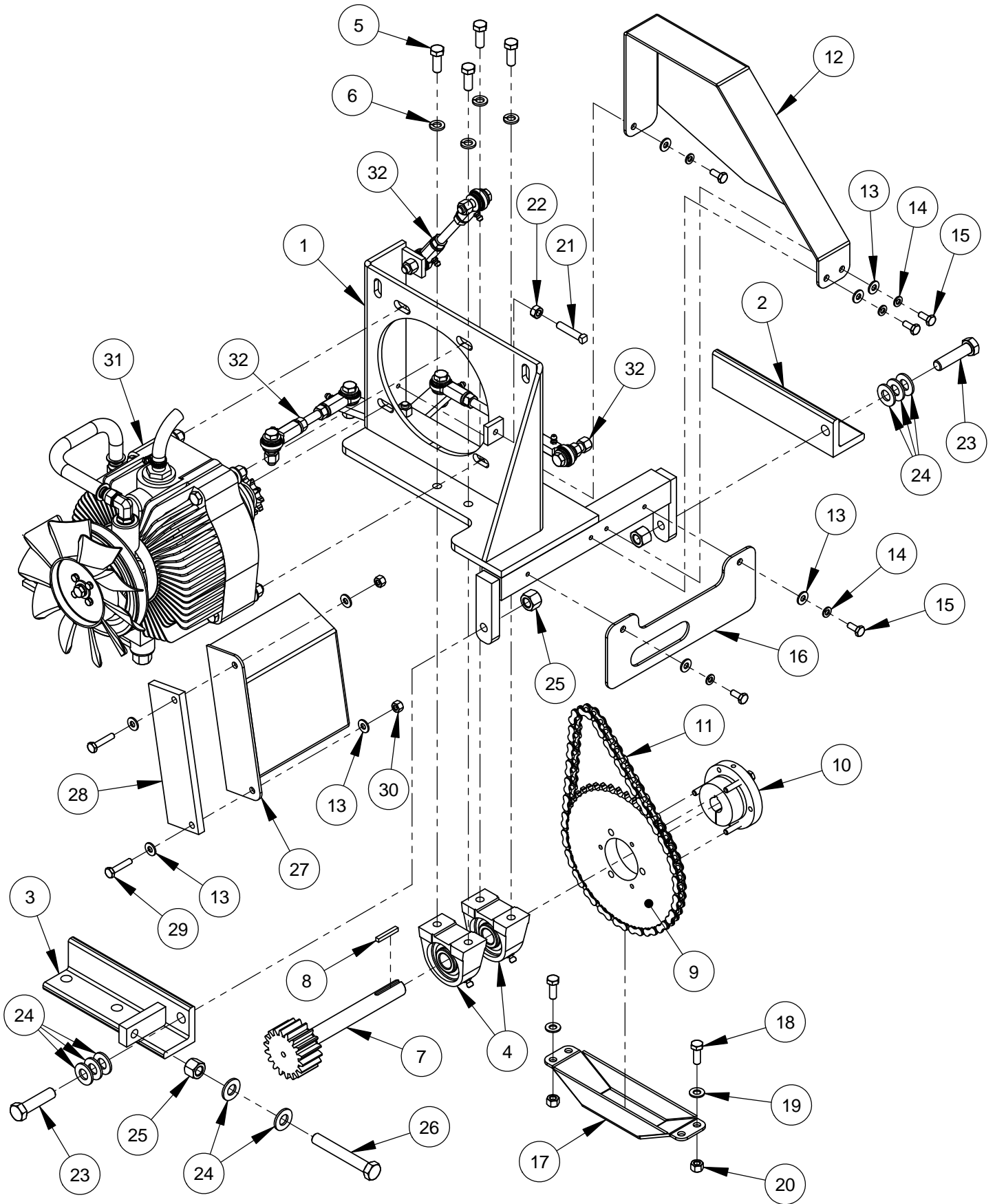
Frame Base Assembly #6019000



Frame Base Assembly #6019000

ITEM	PART NO.	QTY.	DESCRIPTION
1	6019020	1	Frame Base
2	6010681	2	Skid Plate
3	6010973	1	Guard Attachment Plate
4	2900058	4	Flat Washer, 1/2" SAE
5	2900084	7	Lock Washer, 1/2" Split
6	2900086	1	Cap Screw, Hex Hd., 1/2-13 x 1"
7	2900499	4	Cap Screw, Hex Hd., 1/2-13 x 1-1/2"
8	2900139	2	Cap Screw, Hex Hd., 1/2-13 x 1-3/4"
9	6019021	1	Engine Guide
10	2900127	3	Flat Washer, 1/2" USS
11	6010683	2	Rear Pointer Rod
12	2900013	4	Cap Screw, Hex Hd., 3/8-16 x 1-1/4"
13	2900033	4	Hex Nut, 3/8-16
14	6019022	2	Engine Slide Bar
15	2900174	8	Cap Screw, Flat Hd., 5/16-18 x 1"
16	6019099	1	Air Shield
17	2504455	1	Grommet, 1" I.D.
18	6019115	1	Edge Trim Seal 20"
19	2900512	1	Cap Screw, Hex Hd., 5/8-11 x 1-1/4"
20	2900113	1	Lock Washer, 5/8" Split
21	2900002	1	Flat Washer, 5/8" SAE
22	2504368	1	Tie Down
23	2900018	2	Lock Nut, 3/8-16 Nylon
24	2900005	2	Cap Screw, Hex Hd., 3/8-16 x 1"
25	6010645	1	Shaft/Flange Guard (Wide)
26	2900156	1	Lock Pin with Ring

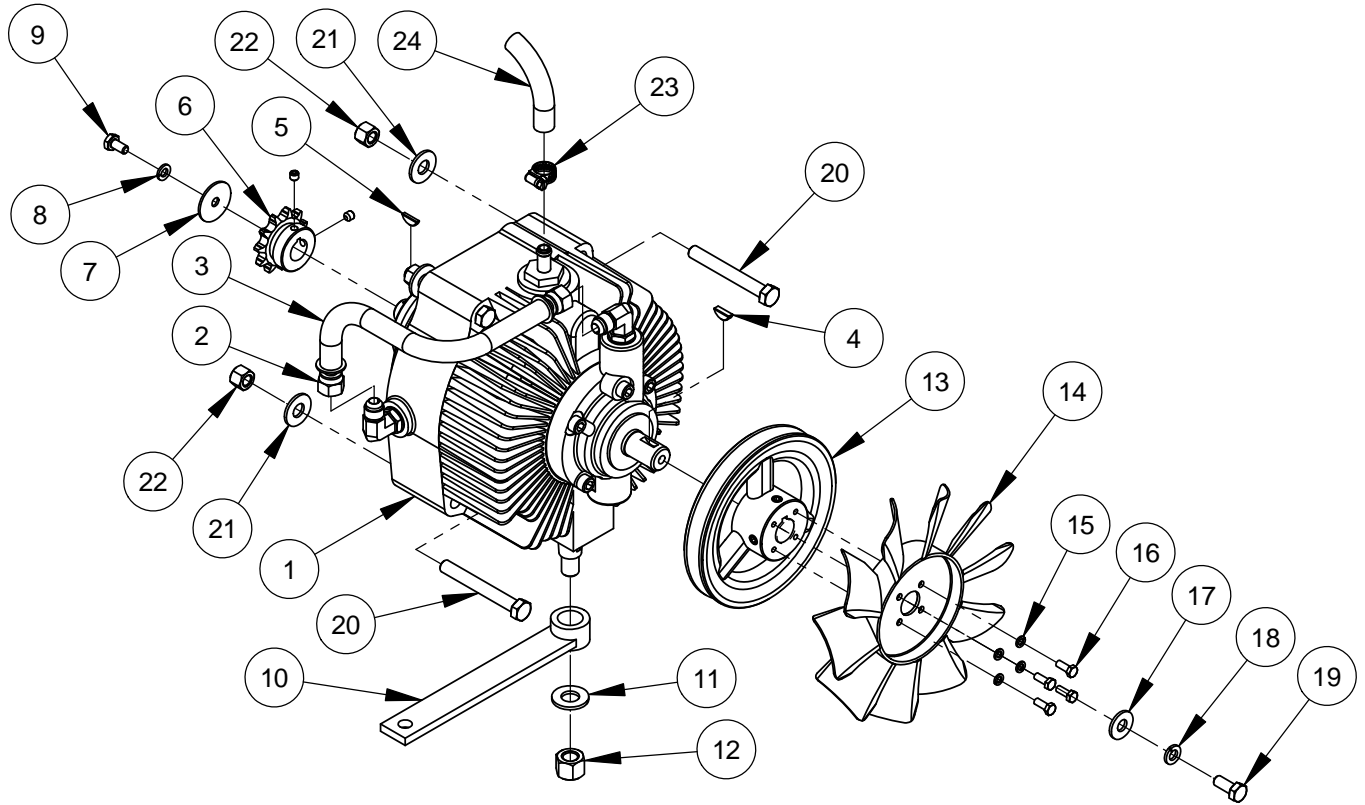
Rear Drive Assembly #6013178



Rear Drive Assembly #6013178

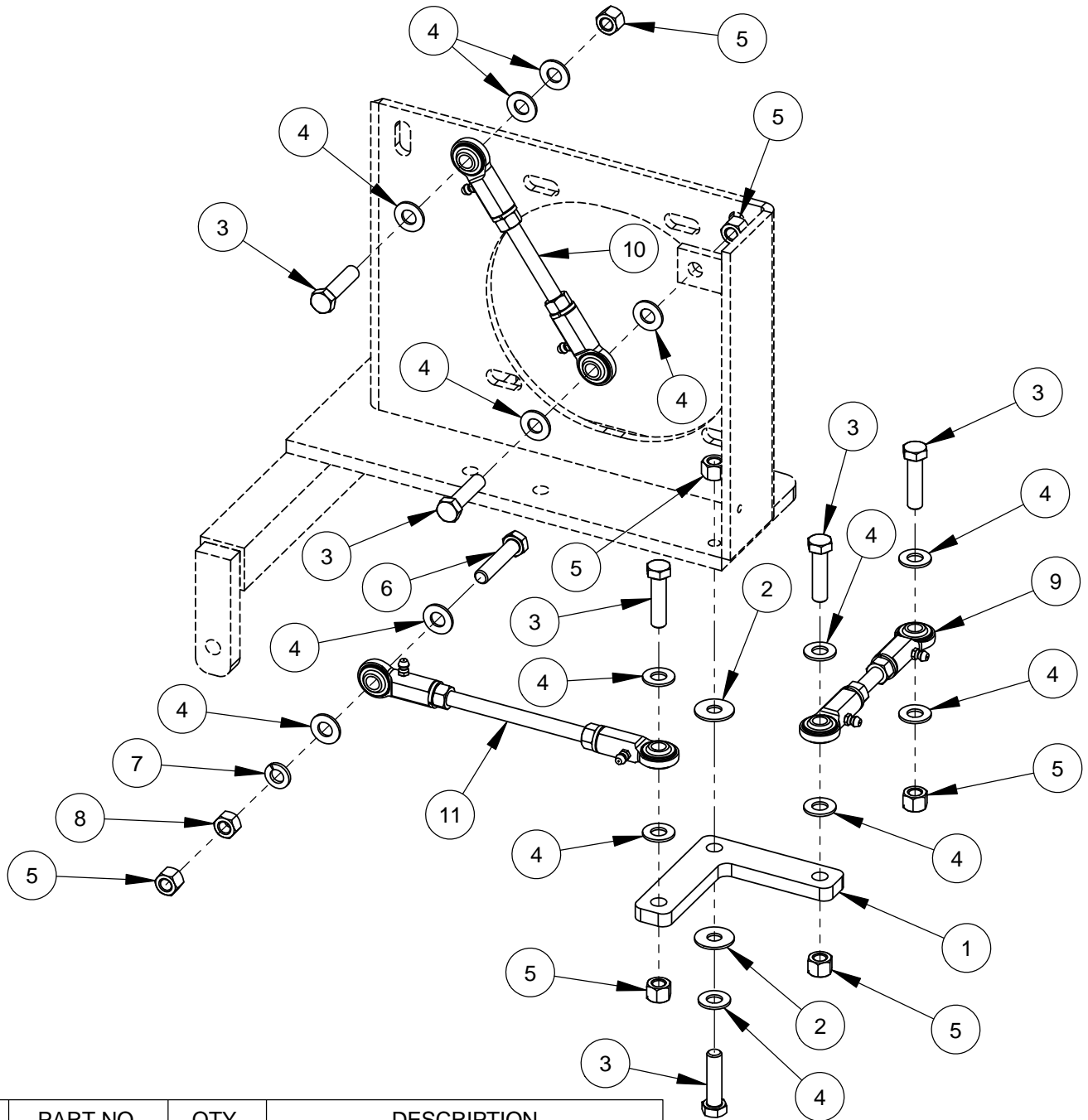
ITEM	PART NO.	QTY.	DESCRIPTION
1	6010068	1	Transmission Platform Weldment
2	6010027	1	Mount Foot, Right Hand
3	6010028	1	Mount Foot, Adjustable
4	2500159	2	Pillow Block Bearing, 3/4"
5	2900005	4	Cap Screw, Hex Hd., 3/8-16 x 1"
6	2900006	4	Lock Washer, 3/8" Split
7	6010664	1	Transmission Jackshaft 18T
8	6048229	1	Key, 3/16" Sq. x 1-1/4"
9	2500148	1	Sprocket, #40 x 45 Tooth
10	2500149	1	QD Bushing, SDS x 3/4" w/Fasteners
11	6010069	1	Chain, #40 x 56 Pitch
12	6010671	1	Chain Guard
13	2900009	9	Flat Washer, 1/4" SAE
14	2900024	5	Lock Washer, 1/4" Split
15	2900023	5	Cap Screw, Hex Hd., 1/4-20 x 5/8"
16	6010679	1	Gear Guard
17	6010674	1	Sprocket Guard
18	2900668	2	Cap Screw, Hex Hd., 5/16-18 x 7/8"
19	2900022	2	Flat Washer, 5/16" SAE
20	2900039	2	Lock Nut, 5/16-18 Nylon
21	2900140	1	Set Screw, Sq. Hd., 5/16-18 x 1-1/2"
22	2900141	1	Hex Nut, 5/16-18
23	2900106	2	Cap Screw, Hex Hd., 1/2-13 x 2"
24	2900058	8	Flat Washer, 1/2" SAE
25	2900026	3	Lock Nut, 1/2-13 Nylon
26	2900542	1	Tap Bolt, Hex Hd., 1/2-13 x 3-1/2"
27	6010673	1	Fan Guard
28	6010735	1	Spacer, Fan Guard
29	2900052	2	Cap Screw, Hex Hd., 1/4-20 x 1-1/4"
30	2900010	2	Lock Nut, 1/4-20 Nylon
31	6010724	1	Eaton Transmission Assembly
32	6010725	1	Linkage Assembly

Eaton Transmission Assembly #6010724



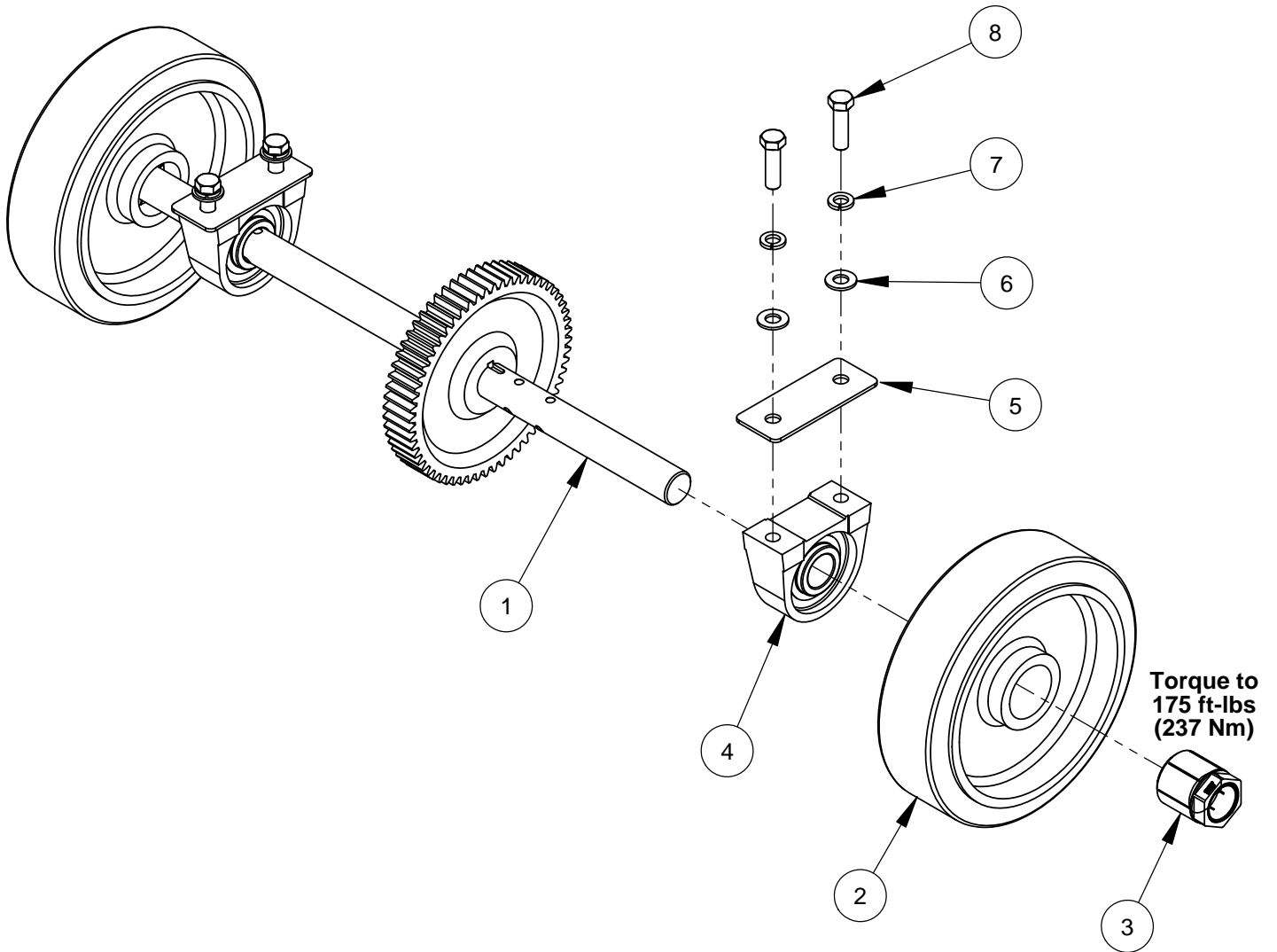
ITEM	PART NO.	QTY.	DESCRIPTION
1	2600068	1	Eaton Hydrostatic Transmission
2	3200046	2	Fitting, 3/8" F. JIC to 3/8" Push Lock
3	6010060	1	Oil Recirculation Hose, 3/8" I.D. x 9"
4	2900143	1	Woodruff Key #61, 3/16" x 5/8"
5	2900063	1	Woodruff Key #405, 1/8" x 5/8"
6	2500150	1	Sprocket, #40 x 11 Tooth w/Setscrews
7	2900083	1	Fender Washer, 1/4" x 1-1/4"
8	2900024	1	Lock Washer, 1/4" Split
9	2900082	1	Cap Screw, Hex Hd., 1/4-20 x 1/2"
10	6010064	1	Shift Lever
11	2900058	1	Flat Washer, 1/2" SAE
12	2900026	1	Lock Nut, 1/2-13 Nylon
13	6010682	1	Transmission Pulley 5.5"
14	2500519	1	Cooling Fan, 7"
15	2900038	4	Lock Washer, #10 Split
16	2900448	4	Machine Screw, Hex Hd., #10-32 x 1/2"
17	2900567	1	Flat Washer, 5/16" USS
18	2900031	1	Lock Washer, 5/16" Split
19	2900019	1	Cap Screw, Hex Hd., 5/16-18 x 3/4"
20	2900035	4	Cap Screw, Hex Hd., 3/8-16 x 3"
21	2900473	4	Flat Washer, 3/8" USS
22	2900018	4	Lock Nut, 3/8-16 Nylon
23	3200390	1	Hose Clamp #6
24	6010059	1	Clear Hose, 3/8" I.D. x 19"

Linkage Assembly #6010725



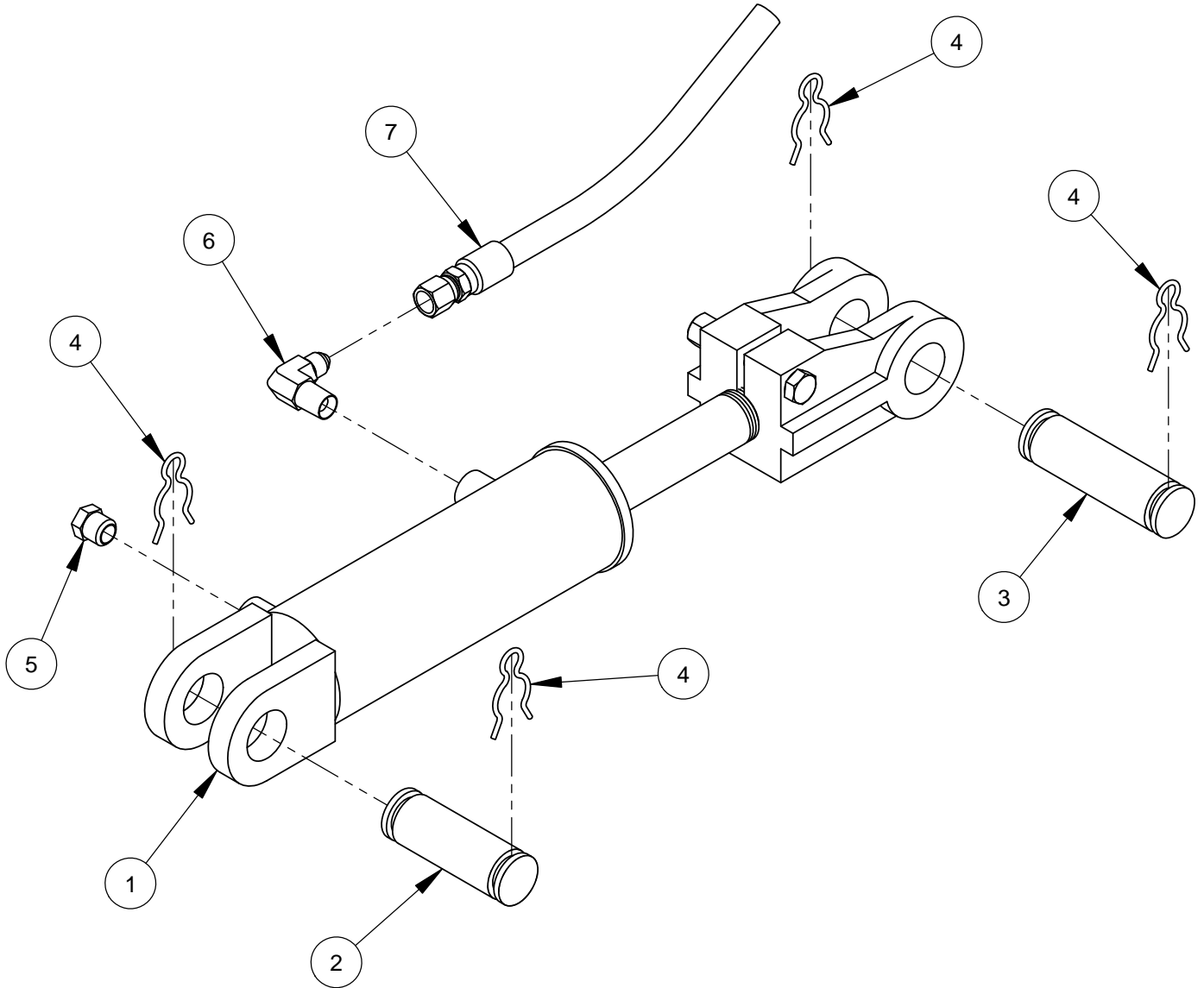
ITEM	PART NO.	QTY.	DESCRIPTION
1	6010067	1	Bell Crank
2	2900153	2	Friction Washer, 3/8"
3	2900029	6	Cap Screw, Hex Hd., 3/8-16 x 1-1/2"
4	2900014	14	Flat Washer, 3/8" SAE
5	2900018	7	Lock Nut, 3/8-16 Nylon
6	2900047	1	Cap Screw, Hex Hd., 3/8-16 x 1-3/4"
7	2900006	1	Lock Washer, 3/8" Split
8	2900033	1	Hex Nut, 3/8-16
9	6010704	1	Linkage Assembly 5-1/8"
10	6010705	1	Linkage Assembly 6-1/4"
11	6010706	1	Linkage Assembly 8"

Rear Axle Assembly #6010743



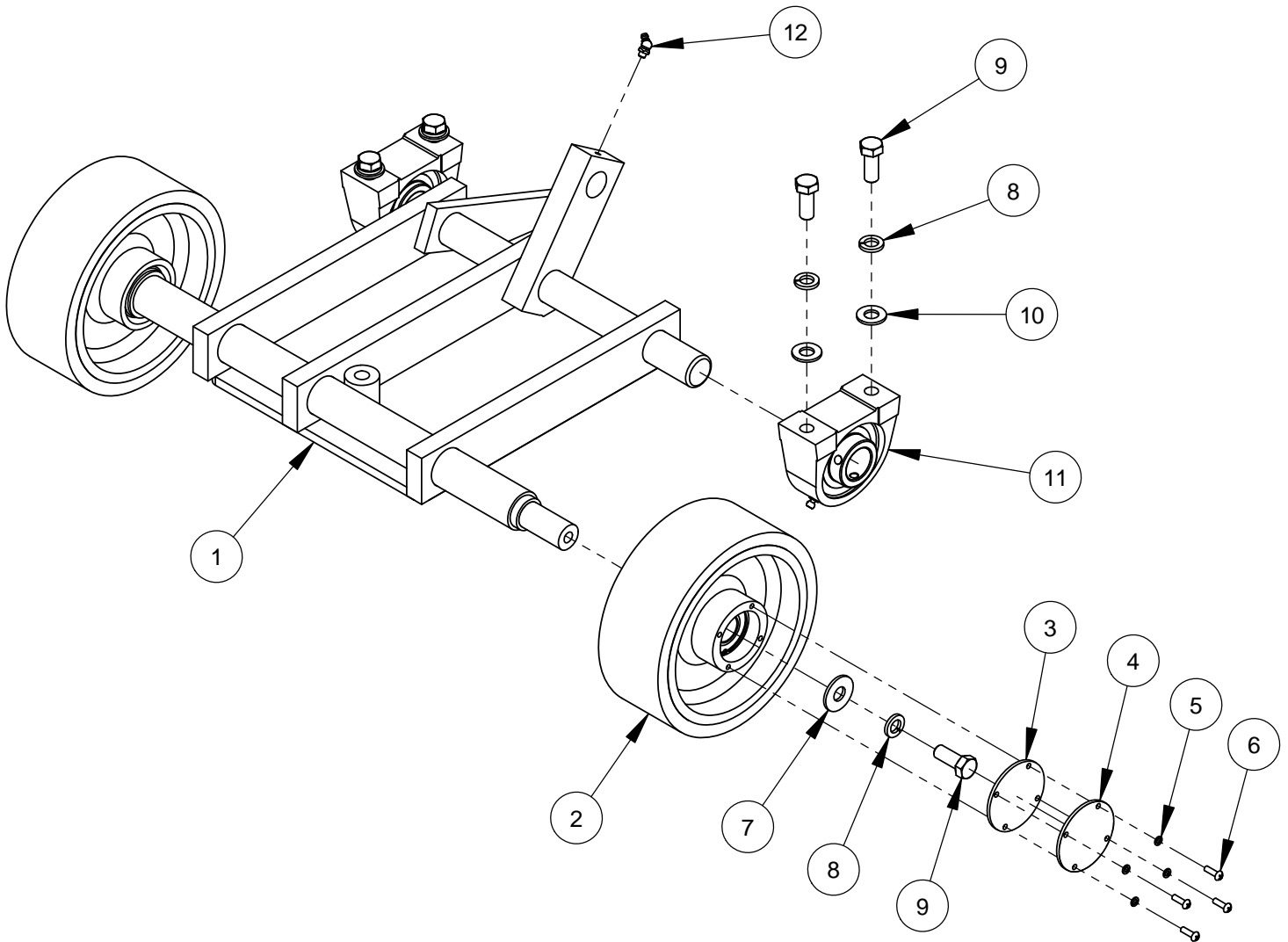
ITEM	PART NO.	QTY.	DESCRIPTION
1	6010686	1	Rear Axle Weldment w/60 Tooth Gear
2	2500873	2	Wheel, 10" Rear with 2" Bore
3	2500874	2	Trantorque Bushing, 1-1/4"
4	2500158	2	Pillow Block Bearing 1-1/4"
5	6010024	2	Rear Axle Bearing Spacer, 1/8"
6	2900058	4	Flat Washer, 1/2" SAE
7	2900084	4	Lock Washer, 1/2" Split
8	2900139	4	Cap Screw, Hex Hd., 1/2-13 x 1-3/4"

Hydraulic Cylinder Assembly #6010714



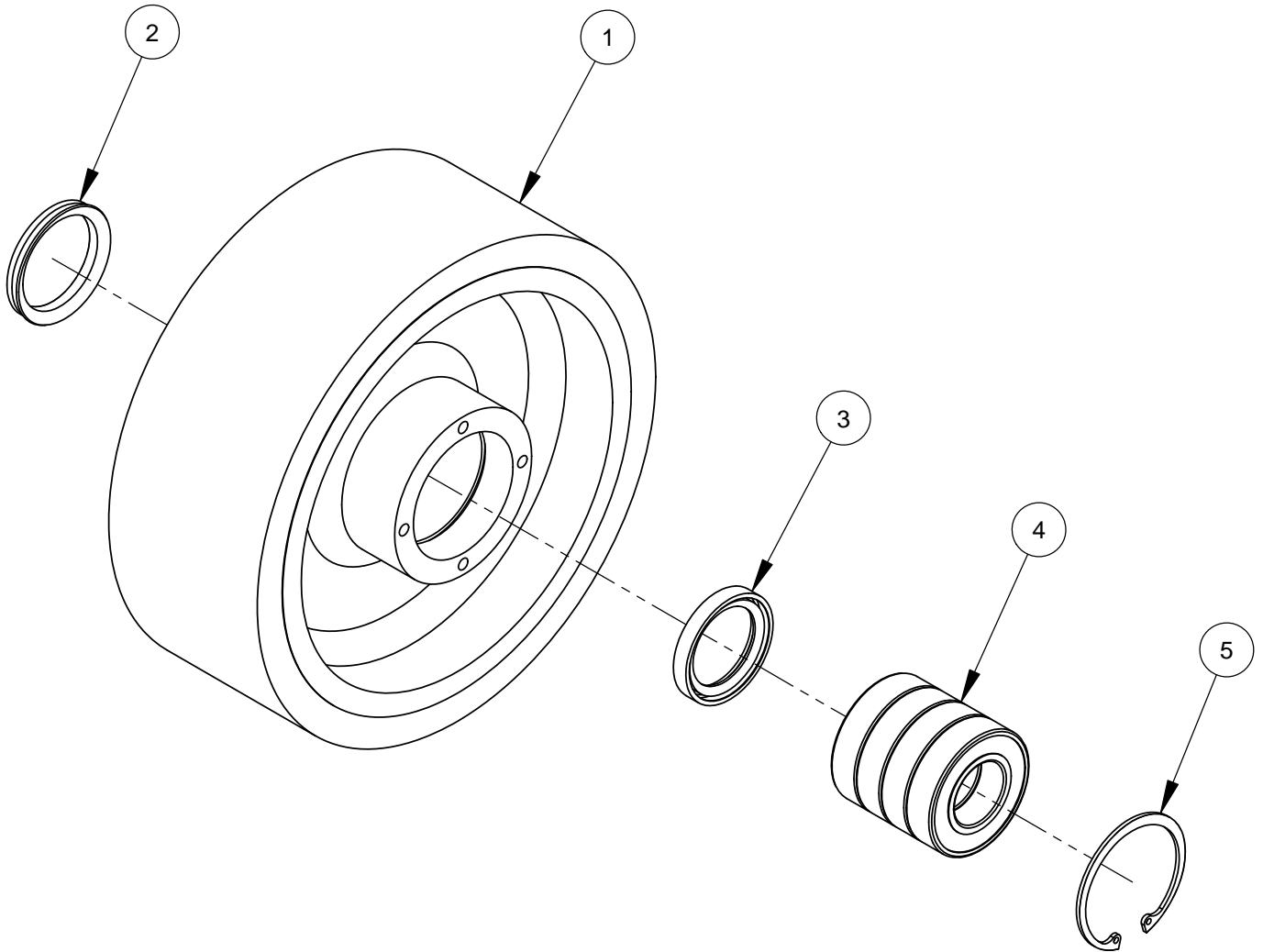
ITEM	PART NO.	QTY.	DESCRIPTION
1	2500177	1	Hydraulic Cylinder
2	6010031	1	Cylinder Pin, 1" Dia. x 3" Long
3	6010119	1	Cylinder Pin, 1" Dia. x 3-1/2" Long
4	2900064	4	Hair Pin Cotter, 3/4"
5	3200067	1	Breather Vent, 1/4" NPT
6	3200057	1	Elbow, 1/4" M. Pipe to 1/4" M. JIC
7	3200054	1	Hose Assembly, 32" Long

Front Axle Assembly #6010746



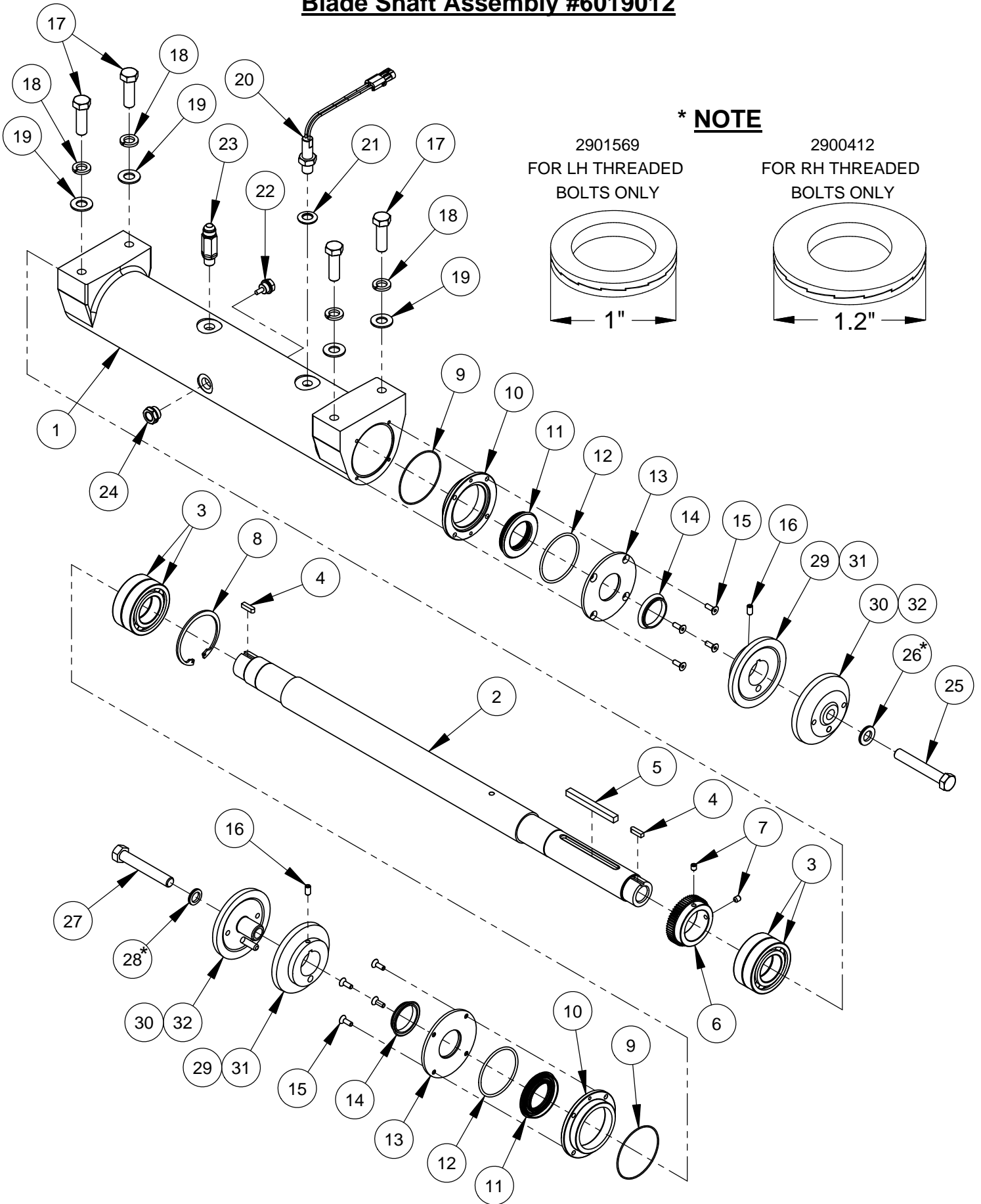
ITEM	PART NO.	QTY.	DESCRIPTION
1	6010747	1	Front Axle Weldment
2	6010581	2	Wheel Assembly, 8" Front
3	2501393	2	Wheel Cover Gasket
4	6010536	2	Wheel Cover
5	2900038	8	Lock Washer, #10 Split
6	2900159	8	Machine Screw, Rd. Hd., #10-24 x 5/8"
7	2900127	2	Flat Washer, 1/2" USS
8	2900084	6	Lock Washer, 1/2" Split
9	2900025	6	Cap Screw, Hex Hd., 1/2-13 x 1-1/4"
10	2900058	4	Flat Washer, 1/2" SAE
11	2500158	2	Pillow Block Bearing 1-1/4"
12	2900184	1	Grease Fitting, 1/4" NPT x 45 degree

Front Wheel Assembly #6010581



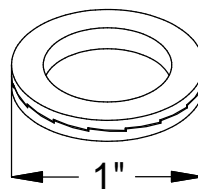
ITEM	PART NO.	QTY.	DESCRIPTION
1	2501390	1	Wheel, 8" Front
2	2501428	1	Seal, 1-1/2" V-Ring
3	2501391	1	Seal, 1-1/4" x 1-3/4" x 1/4"
4	2501418	4	Ball Bearing, 1" x 2" x 1/2"
5	2501392	1	Retaining Ring, 2" Internal

Blade Shaft Assembly #6019012

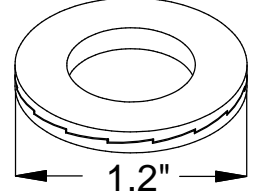


*** NOTE**

2901569
FOR LH THREADED
BOLTS ONLY



2900412
FOR RH THREADED
BOLTS ONLY



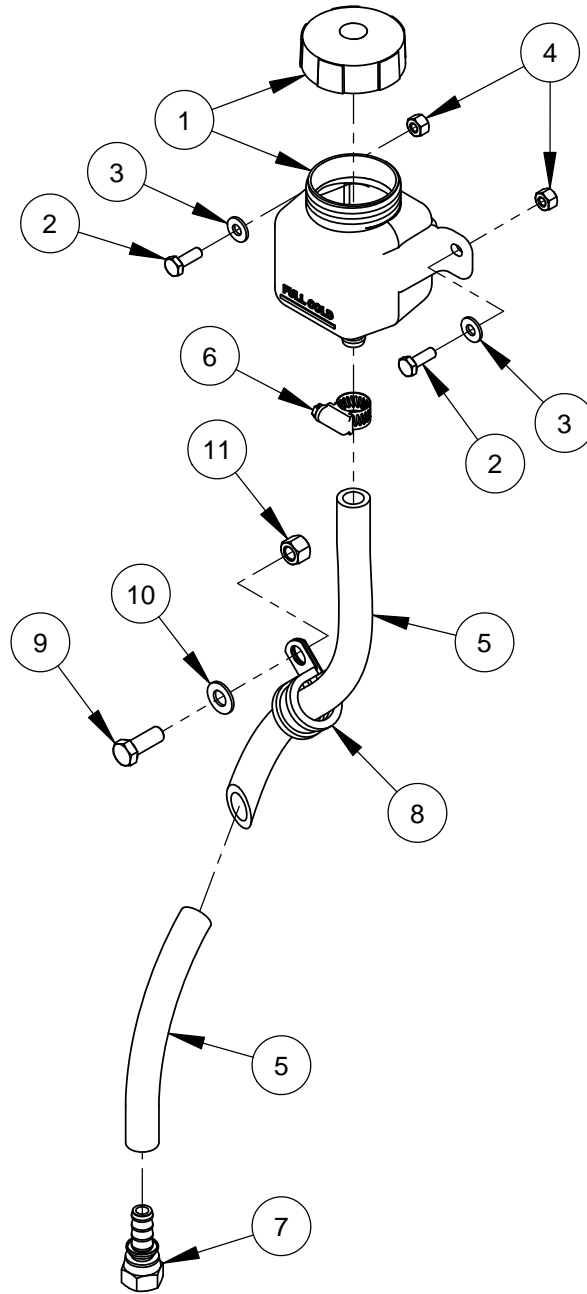
Blade Shaft Assembly #6019012

#6019012A for 14" - 26" Blades

#6019012C for 30" - 42" Blades

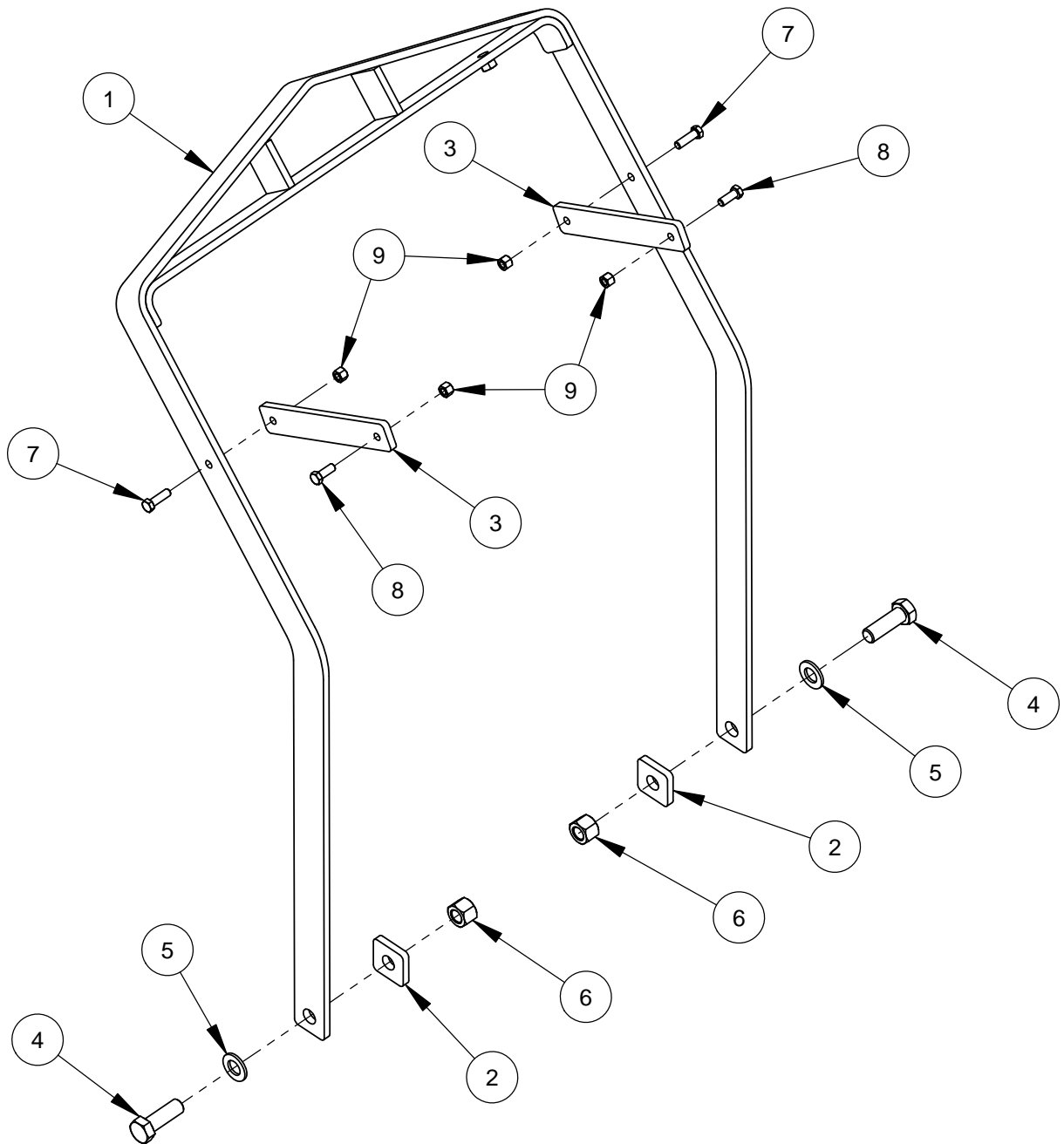
ITEM	PART NO.	6019012A/ QTY.	6019012C/ QTY.	DESCRIPTION
1	6010796	1	1	Blade Shaft Housing
2	6010797	1	1	Blade Shaft
3	2502197	4	4	Ball Bearing, 45mm x 85mm x 19mm
4	6010040	2	2	Key, 1/4" Sq. x 15/16"
5	4645006	1	1	Key, 3/8" Sq. x 4"
6	6010798	1	1	Shaft Tach Gear, 60 Tooth
7	2900142	2	2	Set Screw, Soc. Hd., 5/16-18 x 3/8"
8	2502199	1	1	Retaining Ring, 85mm Internal
9	2703093	2	2	O-Ring #042
10	6010799	2	2	Isolater Seal Housing
11	2503878	2	2	Cassette Seal
12	2503848	2	2	O-Ring #234
13	6010851	2	2	Seal Cover Plate
14	2501752	2	2	Seal, 1-3/4" V-Ring
15	2900020	8	8	Cap Screw, Flat Hd., 1/4-20 x 3/4"
16	2900418	2	2	Set Screw, Soc. Hd., 5/16-18 x 5/8"
17	2900136	4	4	Cap Screw, Hex Hd., 5/8-11 x 2"
18	2900113	4	4	Lock Washer, 5/8" Split
19	2900002	4	4	Flat Washer, 5/8" SAE
20	2800169	1	1	Magnetic Sensor w/Jam Nut
21	2900805	1	1	Sealing Washer, 5/8"
22	2502037	1	1	Magnetic Oil Drain Plug
23	3202093	1	1	Adapter, 3/8" M. Pipe to 1/2" M. JIC Long
24	2503872	1	1	Sight Glass, Oil Level
25	2900146	1	1	Cap Screw, Hex Hd., 5/8-11 x 4"
26	2900412	1	1	Lock Washer, Wedge 5/8"
27	2900130	1	1	Cap Screw, Hex Hd., 5/8-11 x 4" LH
28	2901569	1	1	Lock Washer, Wedge 5/8" LH
29	6010036	2	-	Inner Flange 4-1/2"
30	6010037	2	-	Outer Flange 4-1/2" with Pin
31	6010038	-	2	Inner Flange 6"
32	6010039	-	2	Outer Flange 6" with Pin

Expansion Tank Assembly #6019103



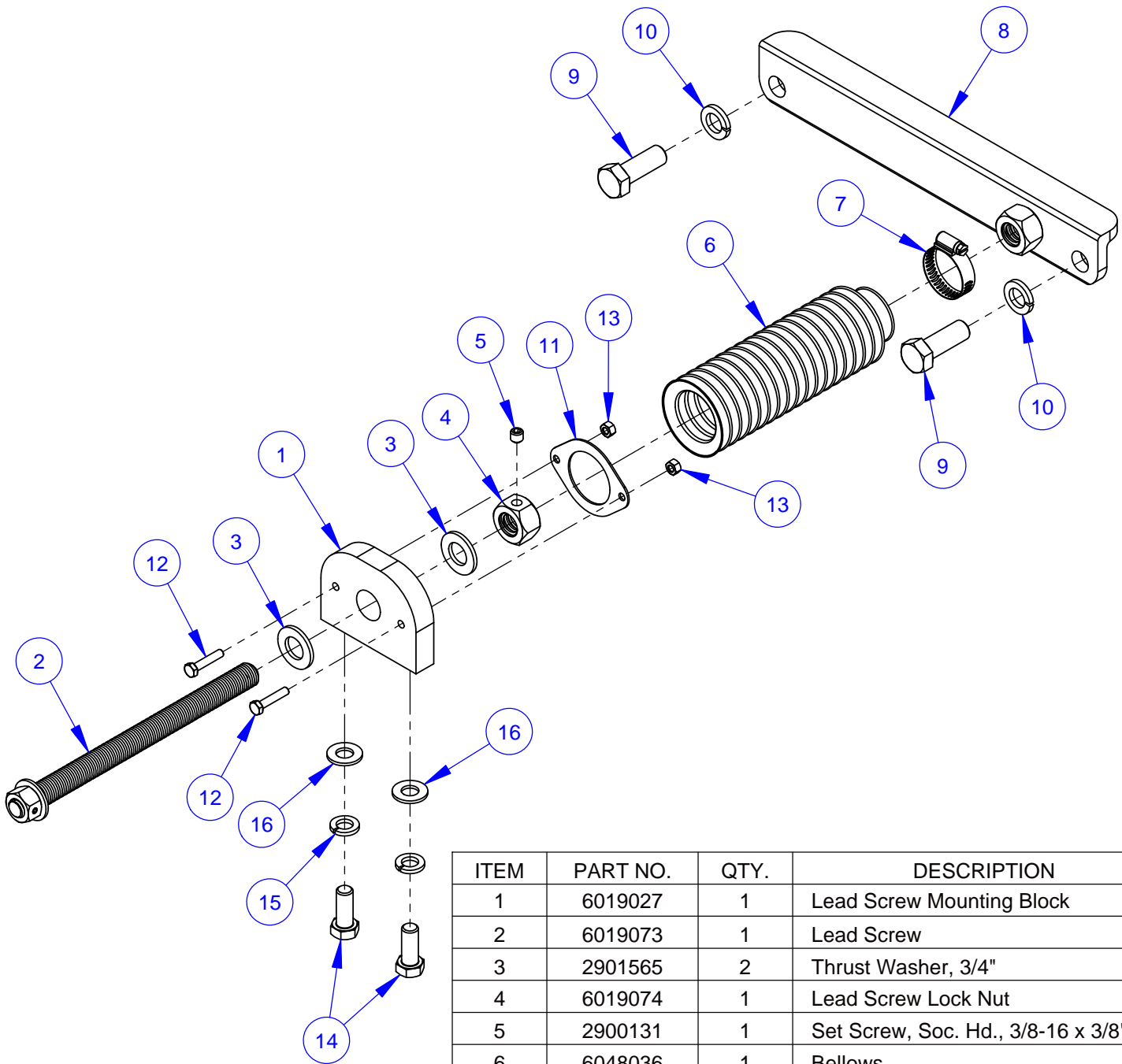
ITEM	PART NO.	QTY.	DESCRIPTION
1	2502039	1	Expansion Tank & Cap
2	2900144	2	Cap Screw, Hex Hd., 1/4-20 x 3/4"
3	2900009	2	Flat Washer, 1/4" SAE
4	2900010	2	Lock Nut, 1/4-20 Nylon
5	6010794	1	Hose, 1/2" ID x 60"
6	3200016	1	Hose Clamp #8
7	3200181	1	Fitting, 1/2" F. JIC to 1/2" Pushlok
8	3201729	1	Hose Clamp, 1" x 3/4" Wide
9	2900005	1	Cap Screw, Hex Hd., 3/8-16 x 1"
10	2900014	1	Flat Washer, 3/8" SAE
11	2900018	1	Lock Nut, 3/8-16 Nylon

Frame Lift Assembly #6010731



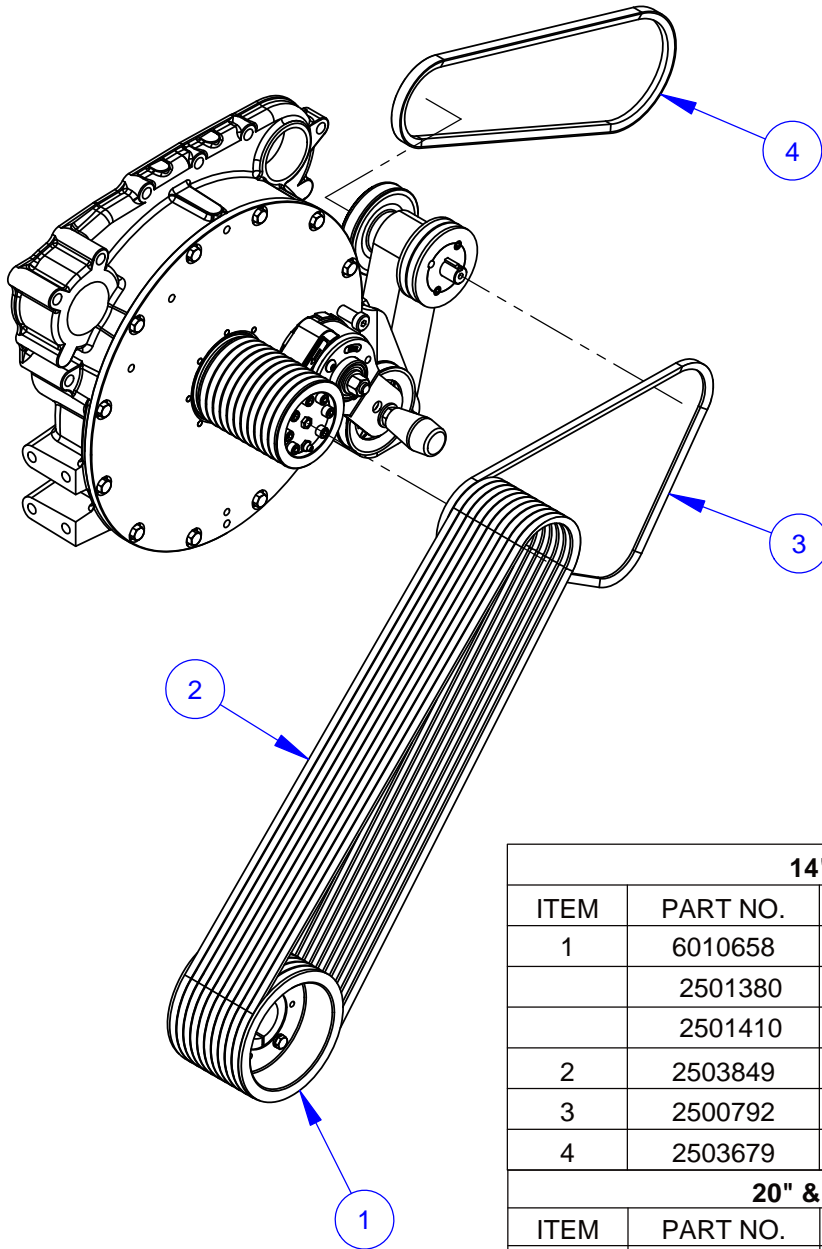
ITEM	PART NO.	QTY.	DESCRIPTION
1	6013051	1	Frame Lift
2	6013053	2	Frame Lift Spacer
3	6010689	2	Frame Lift Brace
4	2900465	2	Cap Screw, Hex Hd., 3/4-10 x 2-1/4"
5	2900003	2	Flat Washer, 3/4" SAE
6	2900467	2	Lock Nut, 3/4-10 Nylon
7	2900013	2	Cap Screw, Hex Hd., 3/8-16 x 1-1/4"
8	2900005	2	Cap Screw, Hex Hd., 3/8-16 x 1"
9	2900018	4	Lock Nut, 3/8-16 Nylon

Belt Tensioner Assembly #6019011



ITEM	PART NO.	QTY.	DESCRIPTION
1	6019027	1	Lead Screw Mounting Block
2	6019073	1	Lead Screw
3	2901565	2	Thrust Washer, 3/4"
4	6019074	1	Lead Screw Lock Nut
5	2900131	1	Set Screw, Soc. Hd., 3/8-16 x 3/8"
6	6048036	1	Bellows
7	3202142	1	Hose Clamp #24
8	6019026	1	Lead Screw Adjustment Bar
9	2900147	2	Cap Screw, Hex Hd., 5/8-11 x 1-3/4"
10	2900113	2	Lock Washer, 5/8" Split
11	6019028	1	Bellows Mount Flange
12	2900342	2	Cap Screw, Hex Hd., M6-1.0 x 30mm
13	2900302	2	Lock Nut, M6-1.0 Nylon Insert
14	2900025	2	Cap Screw, Hex Hd., 1/2-13 x 1-1/4"
15	2900084	2	Lock Washer, 1/2" Split
16	2900058	2	Flat Washer, 1/2" SAE

Belt Drive Assembly #6019013



14" BLADE DRIVE #6019013A

ITEM	PART NO.	QTY.	DESCRIPTION
1	6010658	1	Sheave, 4" x 10 Groove w/Bushing
	2501380	1	Sheave, 4" x 10 Groove Taper Style
	2501410	1	Taper Bushing, 1-3/4" w/Setscrews
2	2503849	10	V-Belt, 3VX570
3	2500792	1	V-Belt, 3VX400
4	2503679	1	V-Belt, AX37

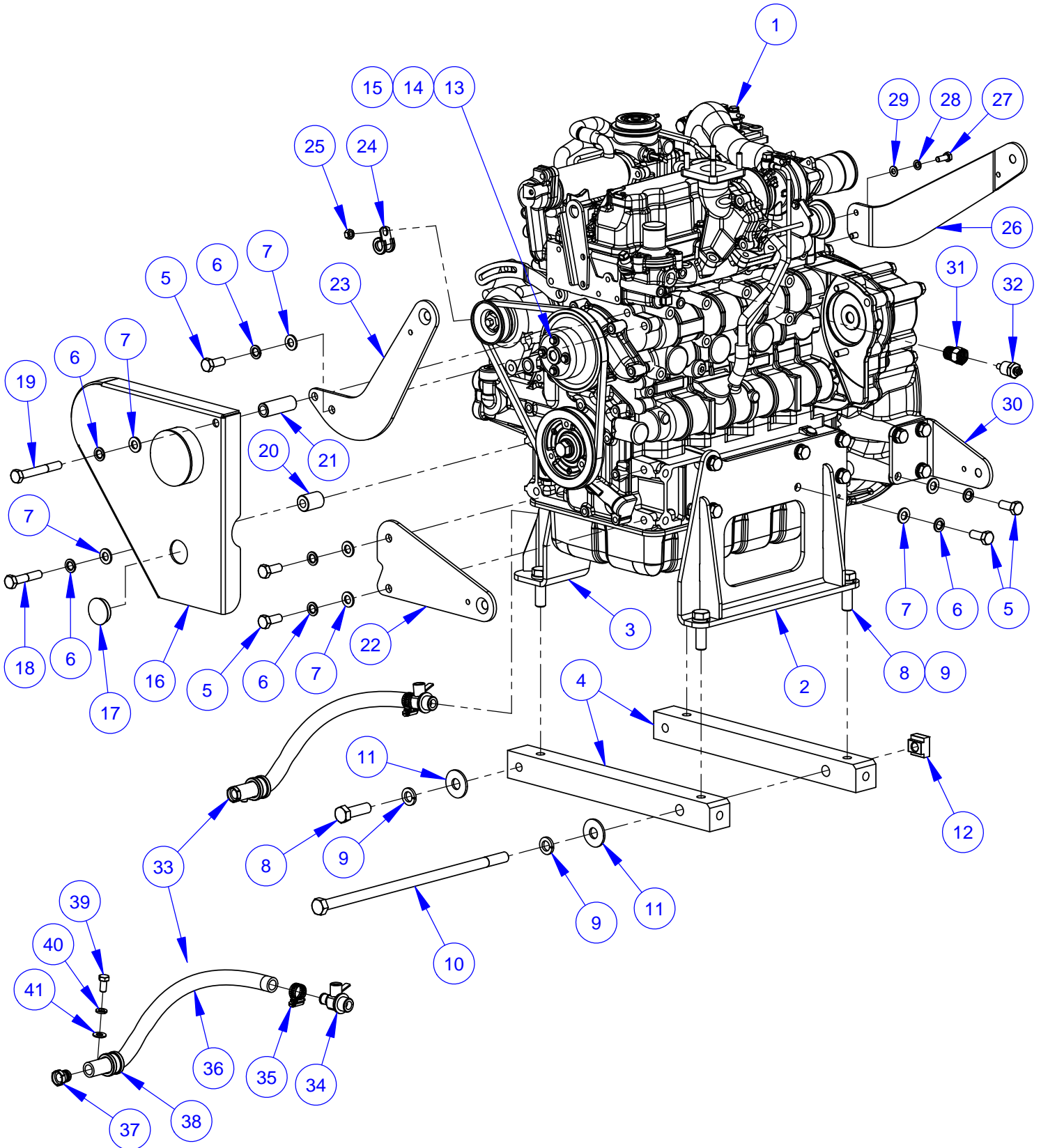
20" & 26" BLADE DRIVE #6019013B

ITEM	PART NO.	QTY.	DESCRIPTION
1	6010545	1	Sheave, 4.5" x 10 Groove w/Bushing
	2501381	1	Sheave, 4.5" x 10 Groove Taper Style
	2501410	1	Taper Bushing, 1-3/4" w/Setscrews
2	2503683	10	V-Belt, 3VX580
3	2500792	1	V-Belt, 3VX400
4	2503679	1	V-Belt, AX37

30" TO 42" BLADE DRIVE #6019013C

ITEM	PART NO.	QTY.	DESCRIPTION
1	6013046	1	Sheave, 6" x 10 Groove w/Bushing
	2500439	1	Sheave, 6" x 10 Groove QD Style
	2500176	1	QD Bushing, SK x 1-3/4" w/Fasteners
2	2503684	10	V-Belt, 3VX600
3	2500792	1	V-Belt, 3VX400
4	2503679	1	V-Belt, AX37

Engine Assembly #6019001

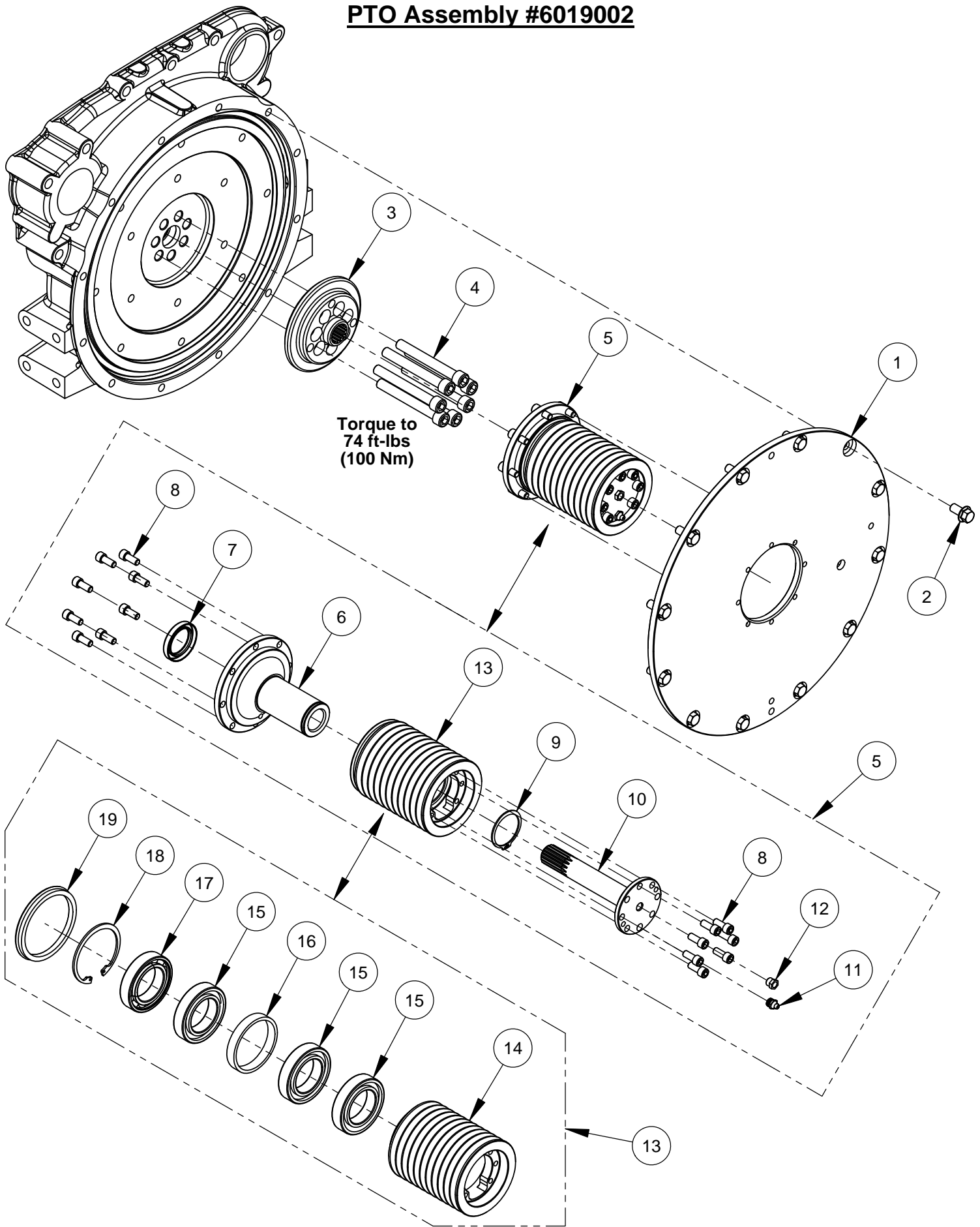


Engine Assembly #6019001

ITEM	PART NO.	QTY.	DESCRIPTION
1	2600699	1	Engine, Kubota Model V2607
2	6019023	1	Engine Support, Front
3	6019024	1	Engine Support, Rear
4	6019025	2	Engine Rail
5	2900746	19	Cap Screw, Hex Hd., M12-1.25 x 30mm
6	2900699	21	Lock Washer, M12 Split
7	2901357	21	Flat Washer, M12
8	2900136	5	Cap Screw, Hex Hd., 5/8-11 x 2"
9	2900113	6	Lock Washer, 5/8" Split
10	2901562	1	Bolt, Hex Head, 5/8-11 x 16"
11	2900721	2	Flat Washer, 5/8" USS Hardened
12	2901563	1	T-Nut, 5/8-11
13	2900341	4	Cap Screw, Hex Hd., M6-1.0 x 16mm
14	2900765	4	Lock Washer, M6 Split
15	2901359	4	Fender Washer, M6
16	6019079	1	Belt Guard, Engine
17	2500554	1	Plug, 1-1/2" Hole
18	2900886	1	Cap Screw, Hex Hd., M12-1.25 x 60mm
19	2900881	1	Cap Screw, Hex Hd., M12-1.25 x 90mm
20	6019085	1	Spacer, 1-3/8" long
21	6019097	1	Spacer, 2-1/2" long
22	6019034	1	Radiator Arm, Lower
23	6019035	1	Radiator Arm, Upper
24	2501434	1	Hose Clamp, 5/8" x 3/4" Wide
25	2900303	1	Lock Nut, M8-1.25 Nylon Insert
26	6019036	1	Radiator Arm, Upper Bent
27	2900329	2	Cap Screw, Hex Hd., M8-1.25 x 20mm
28	2900763	2	Lock Washer, M8 Split
29	2901336	2	Flat Washer, M8
30	6019037	1	Radiator Arm, Lower Bent
31	3202096	1	Adapter, 1/2" NPT (M to F)
32	2800624	1	Water Temperature Sender
33	6019089	1	Oil Drain Valve Assembly

ITEM	PART NO.	QTY.	DESCRIPTION
34	3200813	1	Oil Drain Valve, M22x1.5
35	3200016	1	Hose Clamp #8
36	6019086	1	Oil Drain Hose, 5/8" I.D. x 17"
37	3201728	1	Hose Plug
38	3201729	1	Hose Clamp, 1" x 3/4" Wide
39	2900196	1	Cap Screw, Hex Hd., 3/8-16 x 3/4"
40	2900006	1	Lock Washer, 3/8" Split
41	2900014	1	Flat Washer, 3/8" SAE

PTO Assembly #6019002



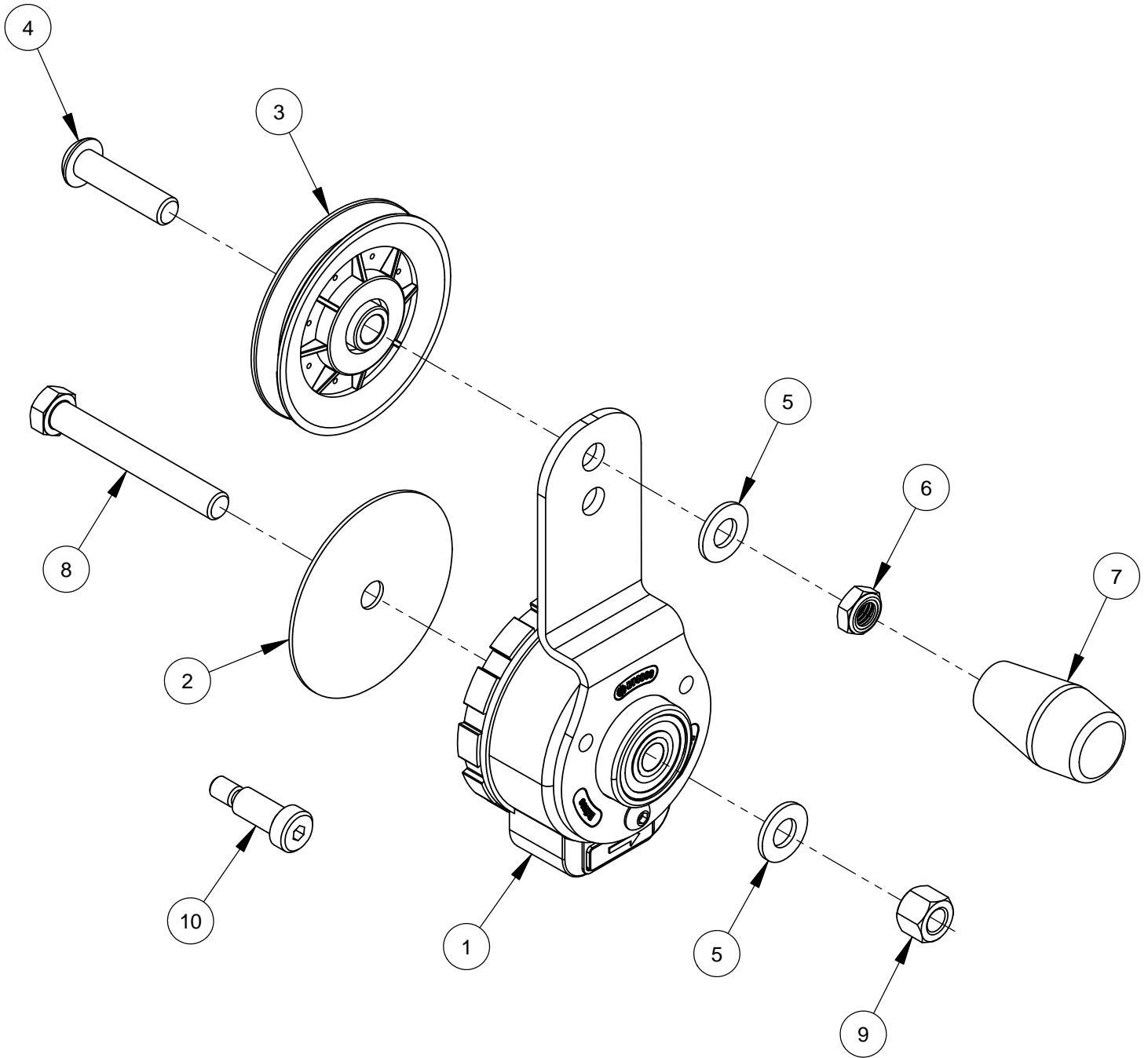
PTO Assembly #6019002

ITEM	PART NO.	QTY.	DESCRIPTION
1	6019061	1	Inner Ring Support
2	2901394	12	Flange Bolt, Hex Hd., M10-1.25 x 20mm
3	6019141	1	Coupling Hub
4	2900882	7	Cap Screw, Soc. Hd., M12-1.25 x 100mm
5	6019019	1	PTO Unit

ITEM	PART NO.	QTY.	DESCRIPTION
6	6019062	1	Shaft Support Sleeve
7	2503666	1	Seal, 1-3/8" x 2" x 5/16"
8	2900912	15	Cap Screw, Soc. Hd., 5/16-18 x 3/4"
9	2503758	1	Retaining Ring, 45mm External
10	6019064	1	Splined Drive Shaft
11	2900062	1	Grease Fitting, 1/8" NPT
12	3201998	1	Breather Vent, 1/8" NPT
13	6019090	1	Sheave Assembly

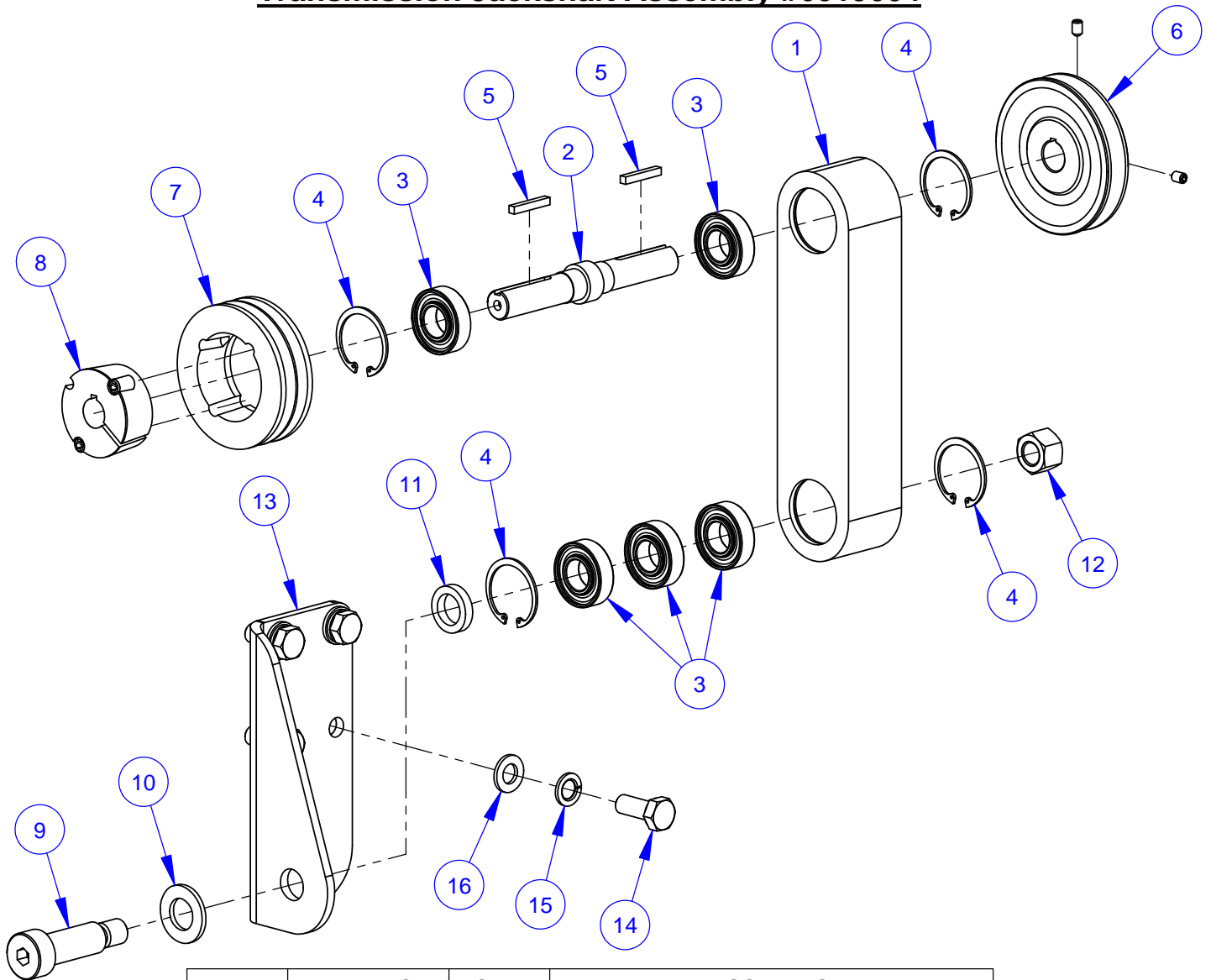
ITEM	PART NO.	QTY.	DESCRIPTION
14	6019063	1	Sheave, 4" x 11 Groove
15	2503760	3	Ball Bearing, 45 x 75 x 16 open
16	6019066	1	Bearing Spacer, 75 x 12
17	2503759	1	Ball Bearing, 45 x 75 x 16 w/seal
18	2503757	1	Retaining Ring, 75mm Internal
19	2503756	1	Seal, 80mm V-Ring

Rotary Tensioner Assembly #6019003



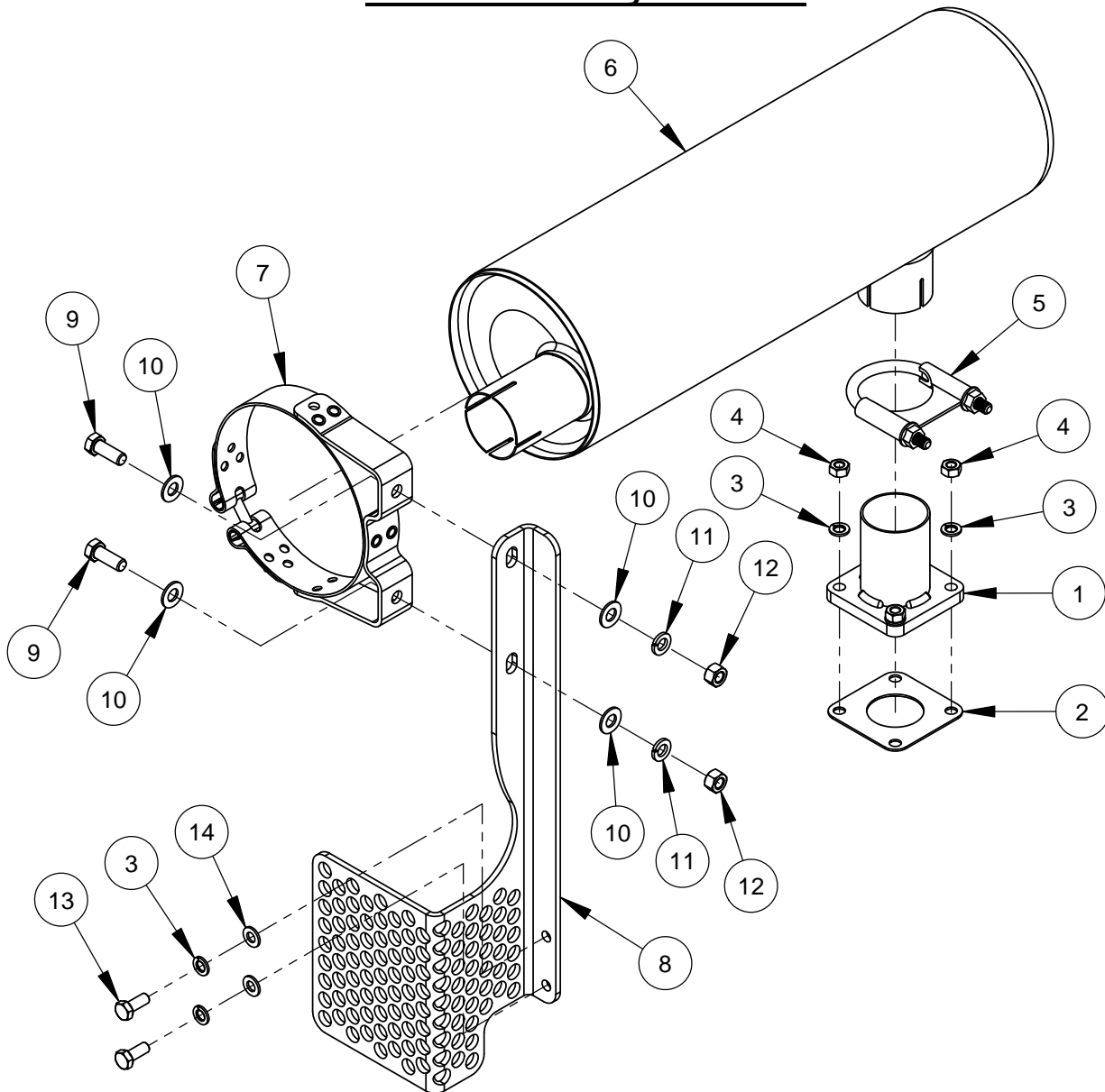
ITEM	PART NO.	QTY.	DESCRIPTION
1	2501750	1	Rotary Tensioner
2	6019067	1	Rotary Tensioner Shim
3	2501751	1	Idler Pulley 4"
4	2900288	1	Cap Screw, Button Hd., 1/2-13 x 2"
5	2900058	2	Flat Washer, 1/2" SAE
6	2900543	1	Jam Lock Nut, 1/2-13
7	2501754	1	Knob, 1/2-13 Tapered
8	2900400	1	Cap Screw, Hex Hd., 1/2-13 x 3-3/4"
9	2900026	1	Lock Nut, 1/2-13 Nylon
10	2900587	1	Shoulder Screw, 1/2" x 1" (3/8-16)

Transmission Jackshaft Assembly #6019004



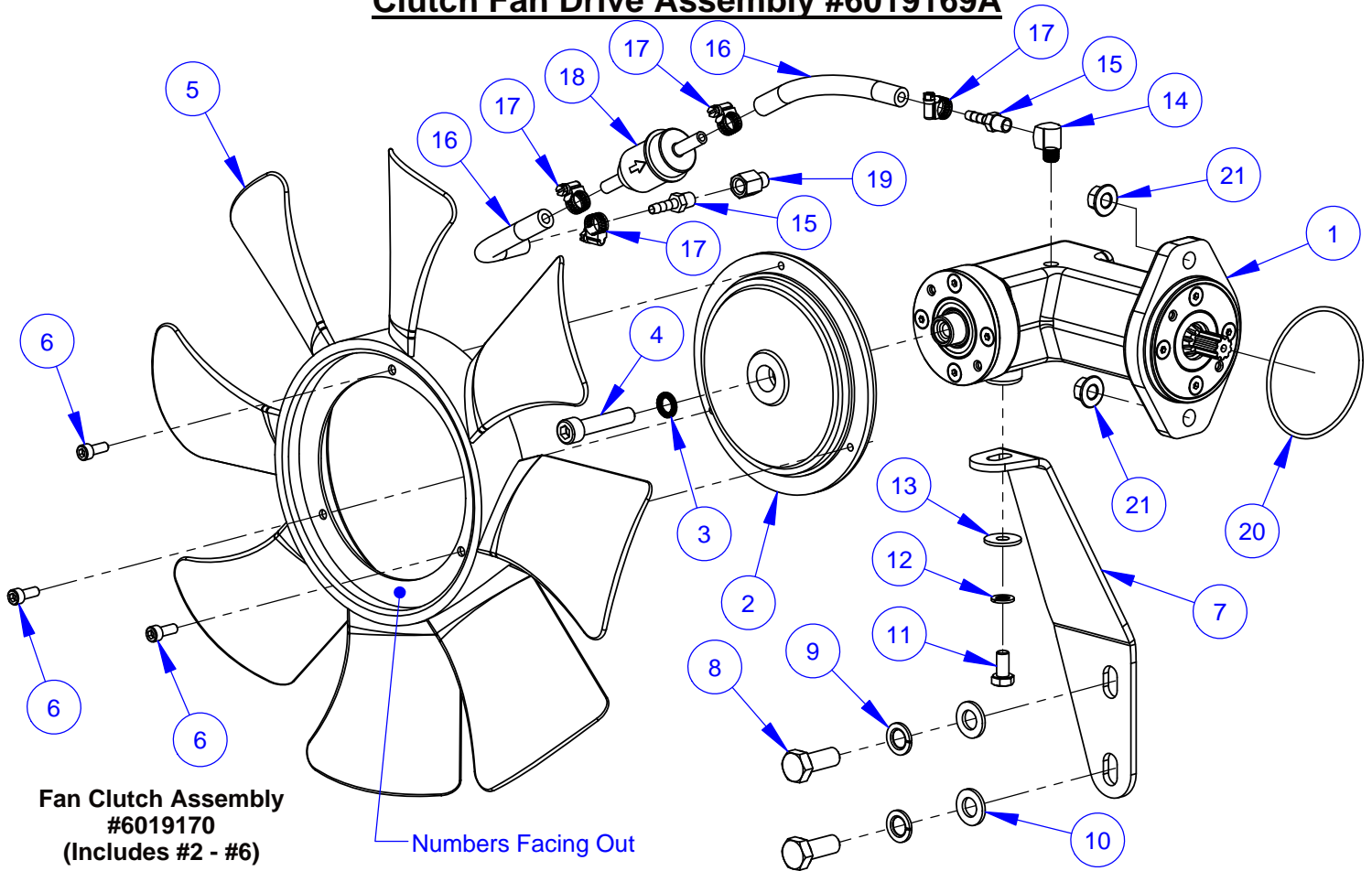
ITEM	PART NO.	QTY.	DESCRIPTION
1	6010667	1	Jackshaft Pivot Housing
2	6010666	1	Idler Jackshaft
3	2501743	5	Ball Bearing, 20mm x 42mm x 12mm
4	2501748	4	Retaining Ring, 42mm Internal
5	6048229	2	Key, 3/16" Sq. x 1-1/4"
6	2500455	1	Pulley, 4" with Setscrews
7	2504693	1	Sheave, 3.65-2 Groove
8	2501191	1	Taper Bushing, 3/4" w/Setscrews
9	2901372	1	Shoulder Bolt, 20mm x 50mm (M16-2.0)
10	2900003	1	Flat Washer, 3/4" SAE
11	6010685	1	Bearing Spacer, 1/4"
12	2900670	1	Lock Nut, M16-2.0 Nylon Insert
13	6019029	1	Jackshaft Mount
14	2900746	4	Cap Screw, Hex Hd., M12-1.25 x 30mm
15	2900699	4	Lock Washer, M12 Split
16	2901357	4	Flat Washer, M12

Muffler Assembly #6019018



ITEM	PART NO.	QTY.	DESCRIPTION
1	2503673	1	Exhaust Flange & Pipe
2	2503674	1	Exhaust Flange Gasket
3	2900763	6	Lock Washer, M8 Split
4	2900343	4	Hex Nut, M8-1.25
5	2700748	1	Muffler Clamp 2"
6	2504573	1	Muffler
7	2503777	1	Muffler Body Band Clamp
8	6019080	1	Muffler Support Screen
9	2900005	2	Cap Screw, Hex Hd., 3/8-16 x 1"
10	2900014	4	Flat Washer, 3/8" SAE
11	2900006	2	Lock Washer, 3/8" Split
12	2900033	2	Hex Nut, 3/8-16
13	2900329	2	Cap Screw, Hex Hd., M8-1.25 x 20mm
14	2901336	2	Flat Washer, M8

Clutch Fan Drive Assembly #6019169A

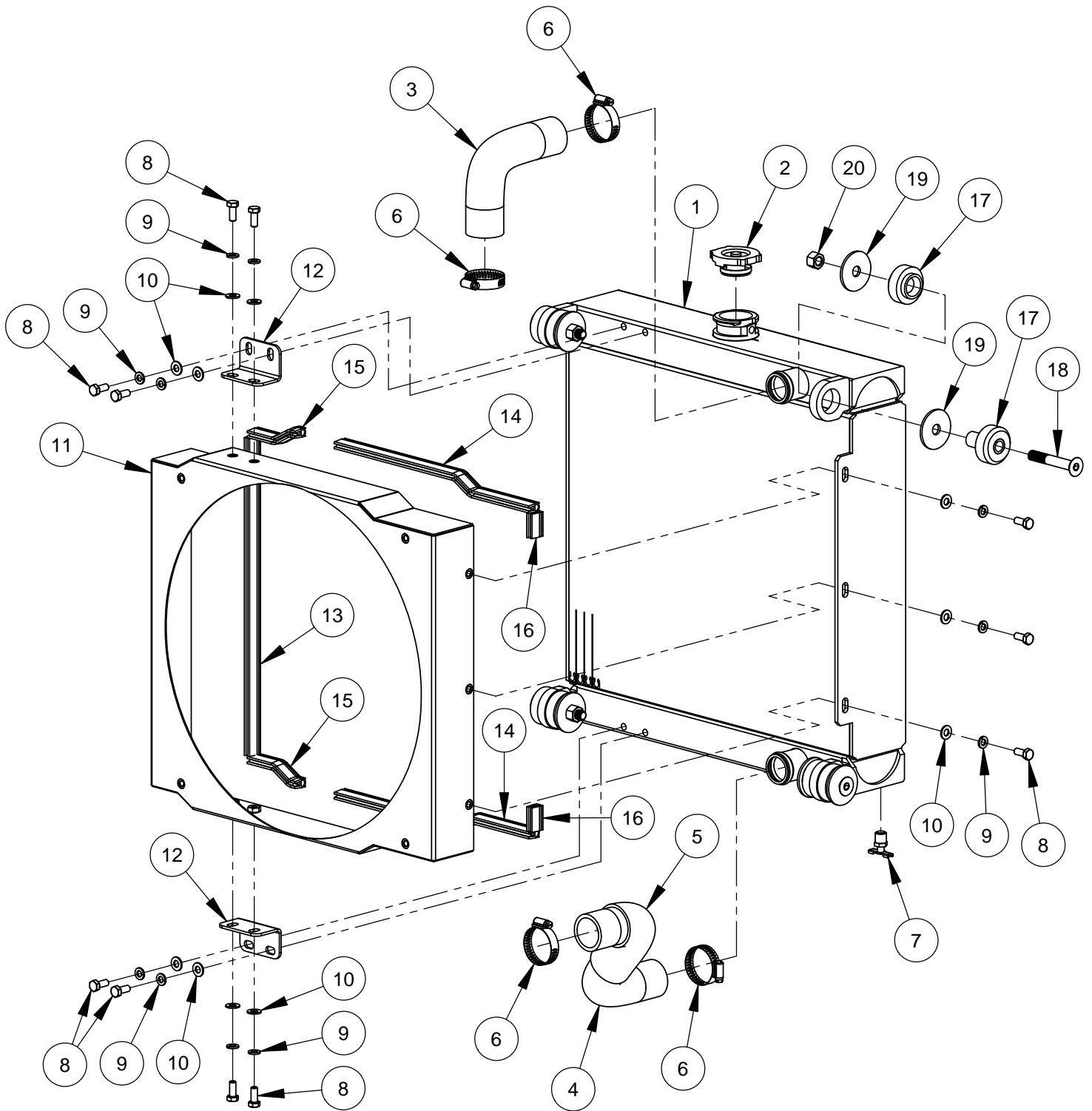


**Fan Clutch Assembly
#6019170
(Includes #2 - #6)**

Numbers Facing Out

ITEM	PART NO.	QTY.	DESCRIPTION
1	6019176	1	Right Angle Drive Assembly
2	2504585	1	Fan Clutch
3	2901575	1	Wedge Lock Washer Pair, M10
4	2901506	1	Cap Screw, Soc. Hd., M10-1.5 x 50mm
5	6019143	1	Cooling Fan, 17"
6	2900553	3	Cap Screw, Soc. Hd., M6-1.0 x 16mm
7	6019038	1	Fan Drive Brace
8	2900746	2	Cap Screw, Hex Hd., M12-1.25 x 30mm
9	2900699	2	Lock Washer, M12 Split
10	2901357	2	Flat Washer, M12
11	2900868	1	Cap Screw, Hex Hd., M8-1.25 x 16mm
12	2900763	1	Lock Washer, M8 Split
13	2900383	1	Fender Washer, M8
14	3200156	1	Street Elbow, 1/8" NPT
15	3200018	2	Fitting, 1/8" M. Pipe to 1/4" Hose Barb
16	6019093	2	Hose, 1/4" I.D. x 5-1/2" Long
17	3200062	4	Hose Clamp #4
18	2501785	1	Filter, Diesel Fuel
19	3202099	1	Adapter, 1/8" M. BSPT to 1/8" F. Pipe
20	2503897	1	O-Ring, AS568A-152 Viton
21	2901398	2	Hex Flange Nut, M10-1.25

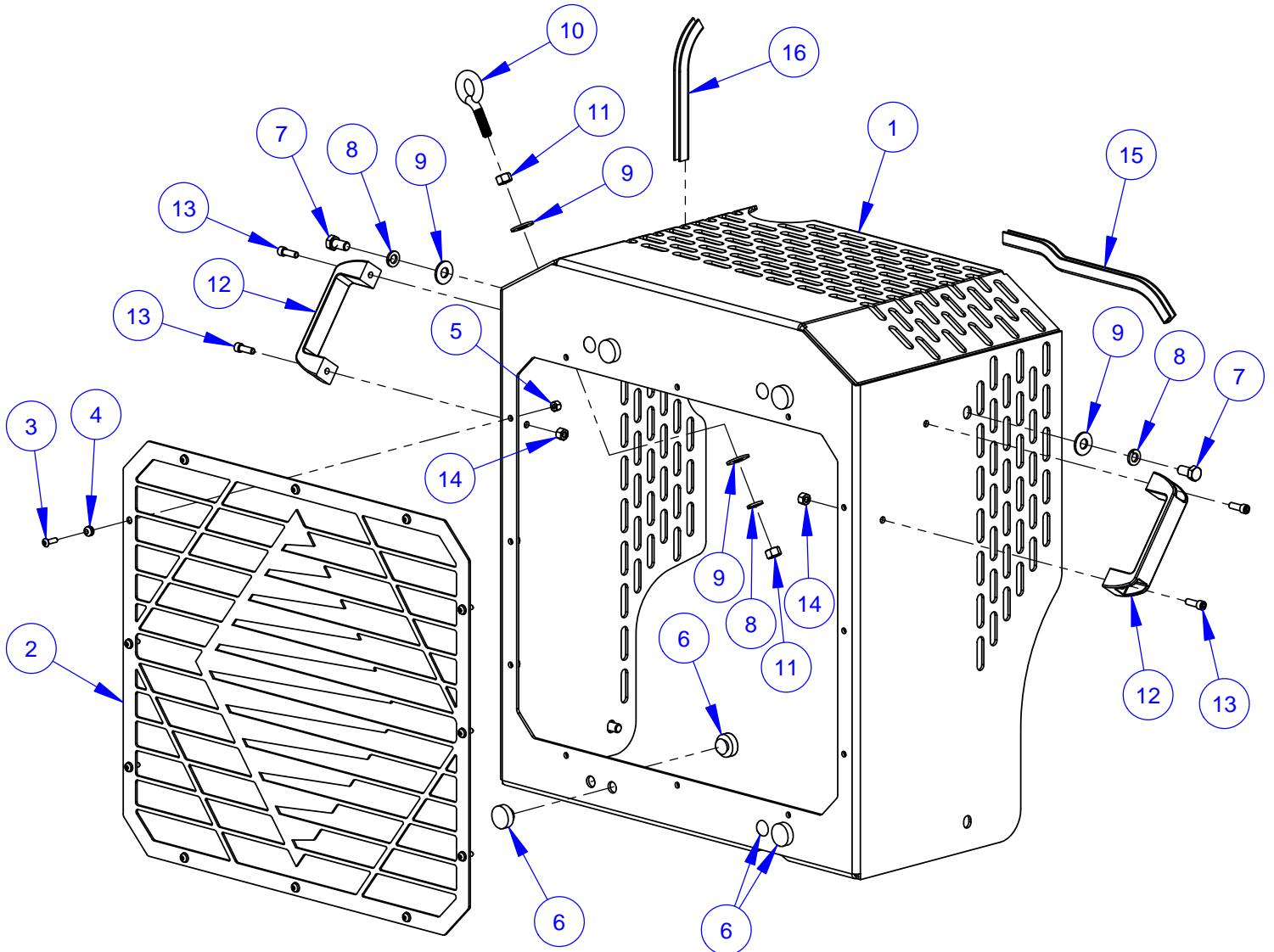
Radiator Assembly #6019008



Radiator Assembly #6019008

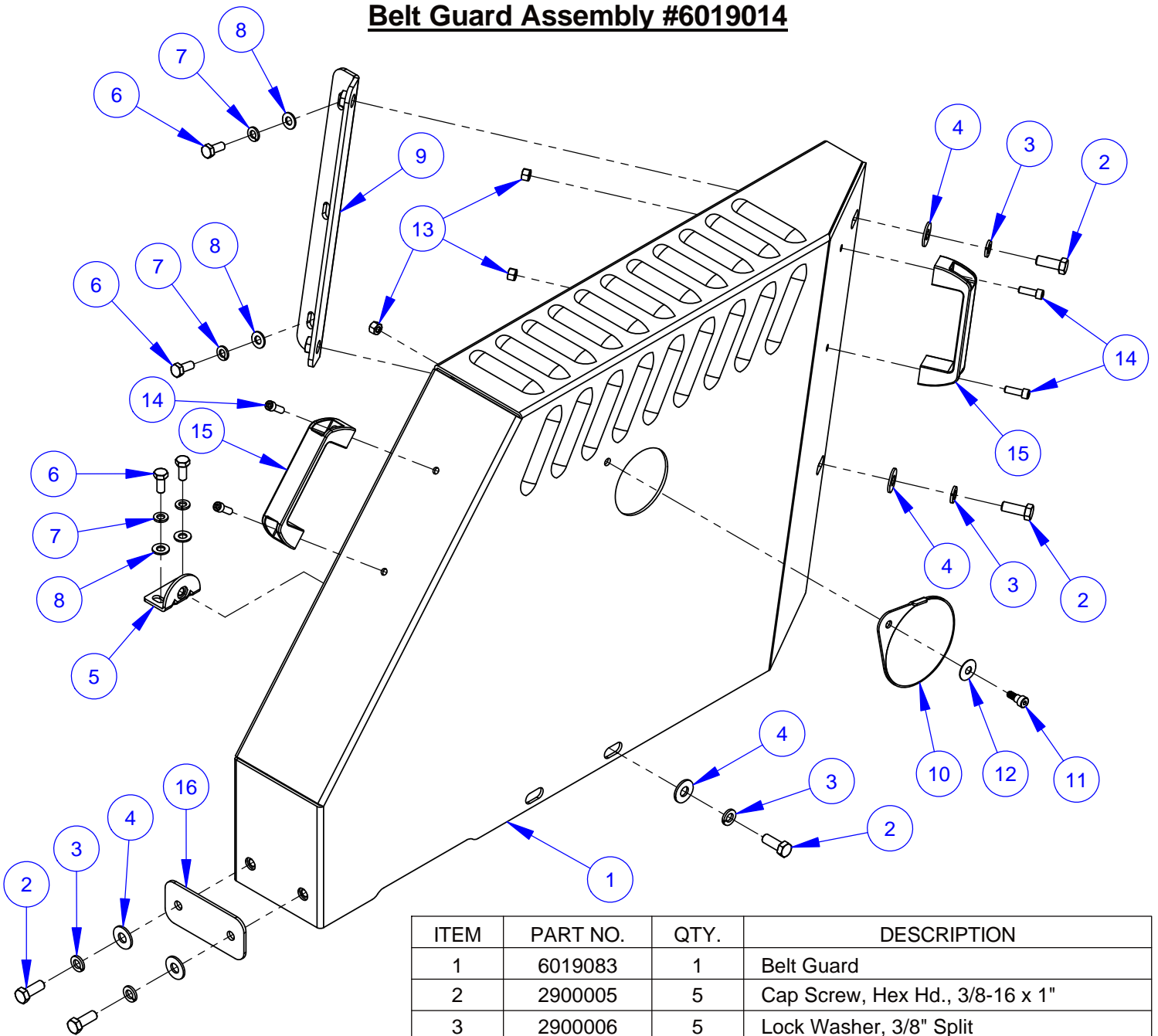
ITEM	PART NO.	QTY.	DESCRIPTION
1	2503664	1	Radiator
2	2502381	1	Radiator Cap
3	3202088	1	Radiator Hose, Upper
4	3202089	1	Radiator Hose, Lower
5	6019121	1	Hose Sleeving, 6" Long
6	3202142	4	Hose Clamp #24
7	3200035	1	Petcock, 1/4" NPT
8	2900019	11	Cap Screw, Hex Hd., 5/16-18 x 3/4"
9	2900031	11	Lock Washer, 5/16" Split
10	2900022	11	Flat Washer, 5/16" SAE
11	6019060	1	Fan Shroud
12	6019059	2	Retainer Bracket
13	6019111	1	Edge Trim Seal 16-1/4"
14	6019112	2	Edge Trim Seal 13-3/4"
15	6019113	2	Edge Trim Seal 3-1/2"
16	6019114	2	Edge Trim Seal 1-1/4"
17	2503669	4	Vibration Isolator
18	2901391	4	Cap Screw, Flat Hd., M12-1.75 x 80mm
19	2900854	6	Fender Washer, 1/2" x 2"
20	2900327	4	Lock Nut, M12-1.75 Nylon Insert

Radiator Shroud Assembly #6019007A



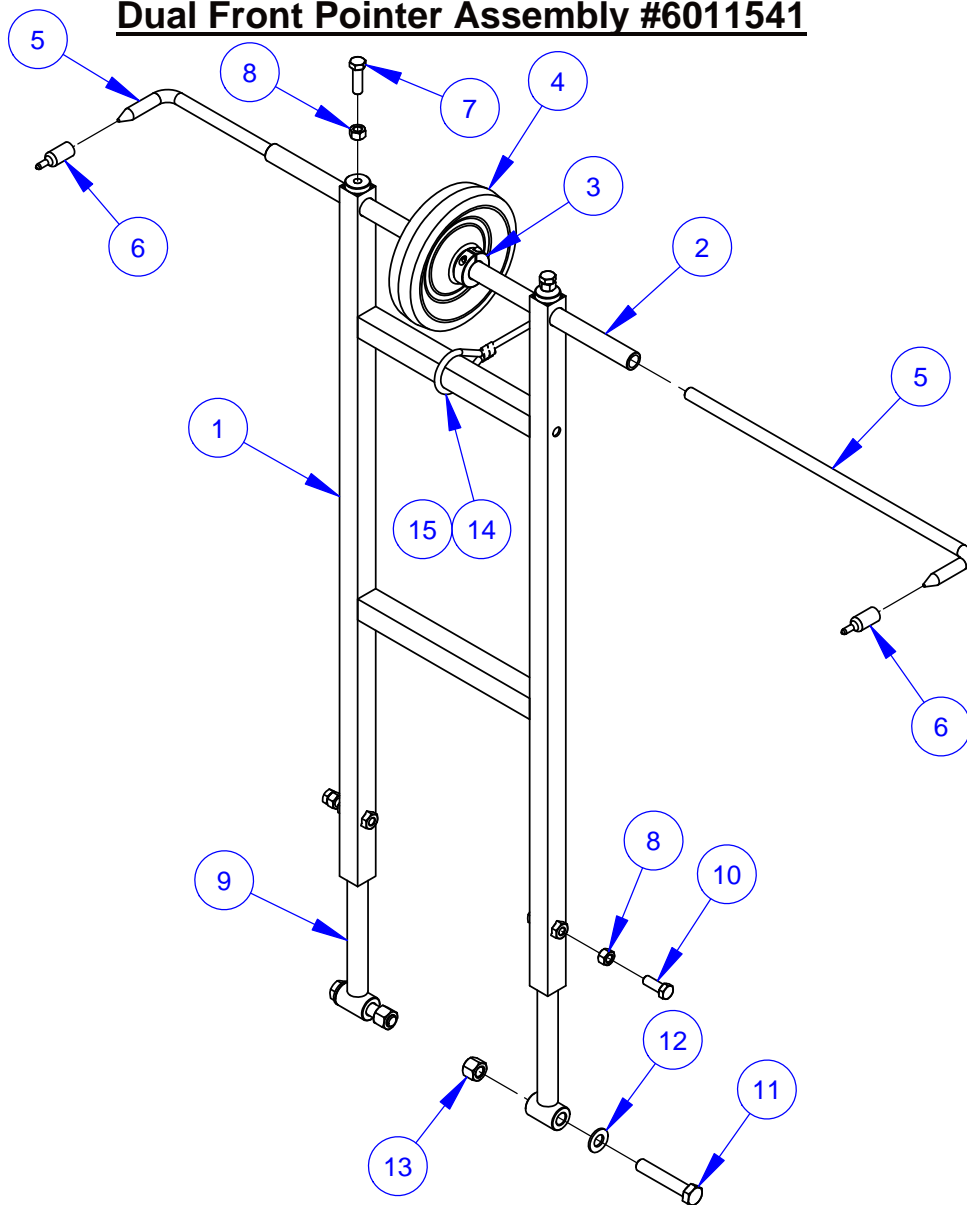
ITEM	PART NO.	QTY.	DESCRIPTION
1	6019075	1	Radiator Shroud
2	6019076	1	Logo Grille
3	2901230	12	Cap Screw, Button Hd., #10-24 x 5/8"
4	2500962	12	Grommet, 3/16" I.D.
5	2900017	12	Lock Nut, #10-24 Nylon
6	2502389	8	Button Bumper
7	2900196	3	Cap Screw, Hex Hd., 3/8-16 x 3/4"
8	2900006	4	Lock Washer, 3/8" Split
9	2900473	5	Flat Washer, 3/8" USS
10	2900892	1	Eyebolt, 3/8-16 x 1-1/2"
11	2900033	2	Hex Nut, 3/8-16
12	2400145	2	Handle
13	2900247	4	Cap Screw, Soc. Hd., 1/4-20 x 3/4"
14	2900010	4	Lock Nut, 1/4-20 Nylon
15	6019116	1	Edge Trim 10-1/2"
16	6019119	1	Edge Trim 6"

Belt Guard Assembly #6019014



ITEM	PART NO.	QTY.	DESCRIPTION
1	6019083	1	Belt Guard
2	2900005	5	Cap Screw, Hex Hd., 3/8-16 x 1"
3	2900006	5	Lock Washer, 3/8" Split
4	2900473	5	Flat Washer, 3/8" USS
5	6010558	1	Guard Mounting Tab, 3/8-16
6	2900019	4	Cap Screw, Hex Hd., 5/16-18 x 3/4"
7	2900031	4	Lock Washer, 5/16" Split
8	2900022	4	Flat Washer, 5/16" SAE
9	6010556	1	Belt Guard Mount Bracket
10	6010768	1	Swing Cover Plate with Label
11	2900246	1	Shoulder Screw, 5/16" x 1/4" (1/4-20)
12	2900252	1	Belleville Washer, 5/16"
13	2900010	5	Lock Nut, 1/4-20 Nylon
14	2900247	4	Cap Screw, Soc. Hd., 1/4-20 x 3/4"
15	2400145	2	Handle
16	6019147	1	Belt Guard Shim

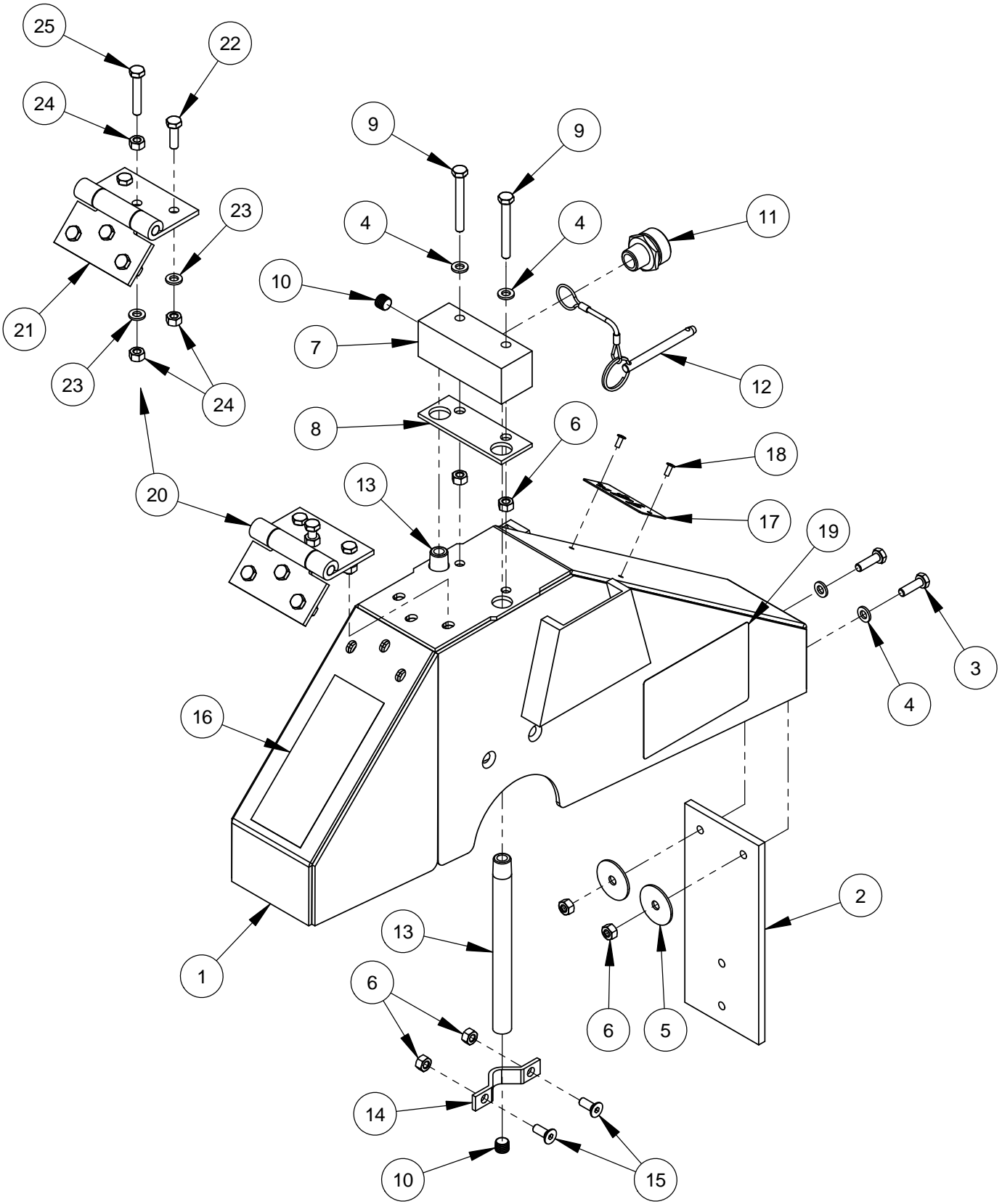
Dual Front Pointer Assembly #6011541



ITEM	PART NO.	QTY.	DESCRIPTION
1	6011537	1	Front Pointer Frame
2	6011539	1	Pointer Tube, 20"
3	2504577	2	Shaft Collar, 3/4" Split
4	2504581	1	Wheel, 6"
5	6011536	2	Front Pointer Rod, 16"
6	2500740	2	Pointer Cap
7	2900013	2	Cap Screw, Hex Hd., 3/8-16 x 1-1/4"
8	2900033	4	Hex Nut, 3/8-16
9	6011152	2	Front Pointer Arm
10	2900005	2	Cap Screw, Hex Hd., 3/8-16 x 1"
11	2900105	2	Cap Screw, Hex Hd., 1/2-13 x 2-3/4"
12	2900239	2	Friction Washer, 1/2"
13	2900026	2	Lock Nut, 1/2-13 Nylon
14	6017241	1	Pointer Rope 11 Foot
15	3200221	2	Pinch Clamp, Two Ear

(BLANK)

14" Blade Guard Assembly #6010950

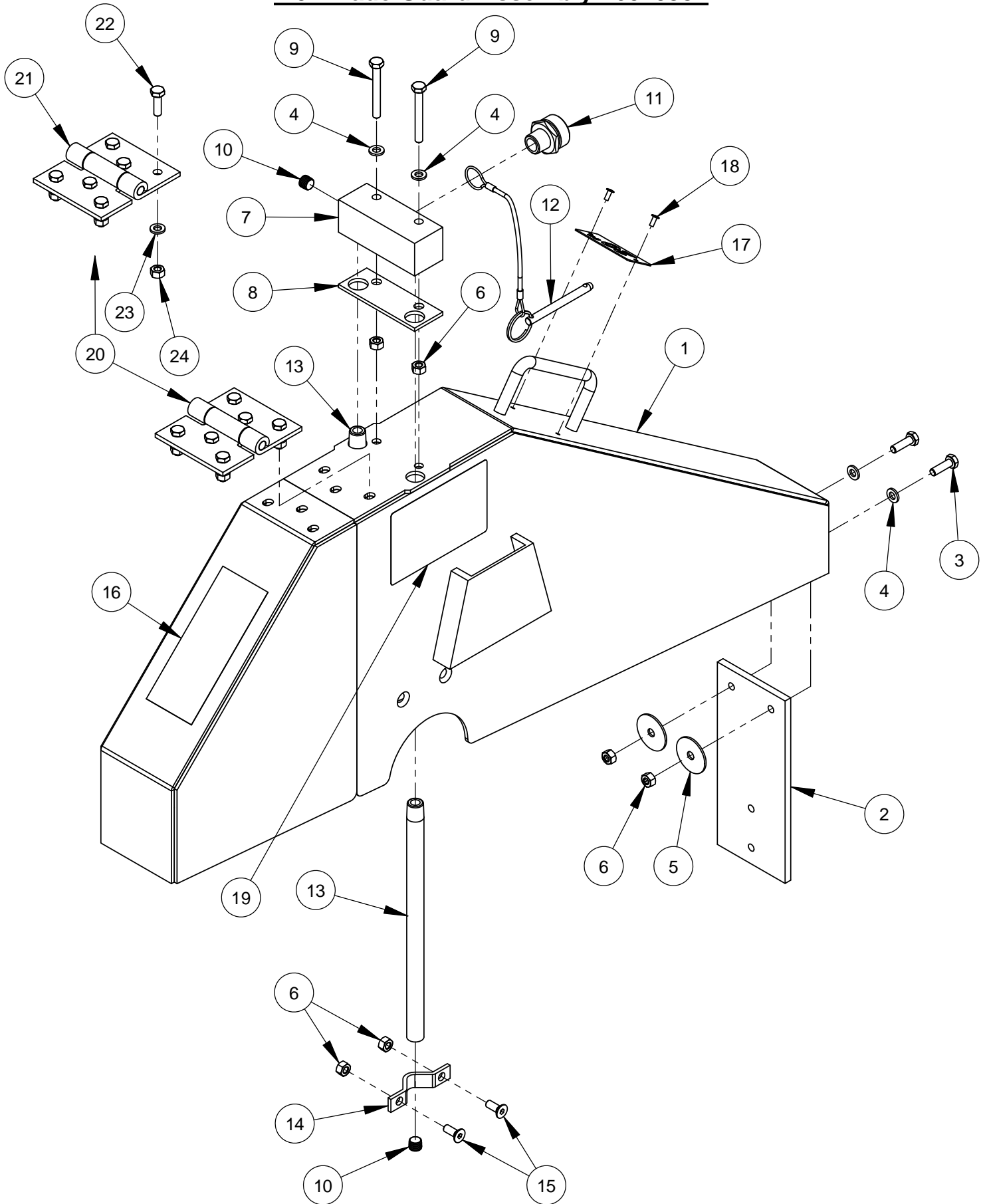


14" Blade Guard Assembly #6010950

ITEM	PART NO.	QTY.	DESCRIPTION
1	6010601	1	14" Blade Guard Front & Rear Only
2	6010081	1	Splash Flap
3	2900310	2	Cap Screw, Hex Hd., M6-1.0 x 20mm
4	2901494	4	Flat Washer, M6
5	2900083	2	Fender Washer, 1/4" x 1-1/4"
6	2900302	8	Lock Nut, M6-1.0 Nylon Insert
7	6010261	1	Water Manifold
8	2500830	1	Water Manifold Gasket
9	2901355	2	Cap Screw, Hex Hd., M6-1.0 x 50mm
10	3200001	3	Plug, 1/8" NPT
11	3200002	1	Fitting, 3/8" M. Pipe to 3/4" M. Garden
12	2900278	1	Lanyard with Lock Pin
13	6048283	2	Water Tube for 14" Guard
14	6048155	2	Water Tube Clamp
15	2900308	4	Cap Screw, Flat Hd., M6-1.0 x 16mm
16	1800001	1	Warning Label
17	1801369A	1	Blade Guard Size Tag
18	2900287	2	Rivet, 1/8" Dia.
19	1802090	2	Label, Wedge Locking Washer
20	6048026	1	Hinge Assembly

ITEM	PART NO.	QTY.	DESCRIPTION
21	2500270	1	Blade Guard Hinge
22	2900310	5	Cap Screw, Hex Hd., M6-1.0 x 20mm
23	2901494	6	Flat Washer, M6
24	2900302	7	Lock Nut, M6-1.0 Nylon Insert
25	2900312	1	Cap Screw, Hex Hd., M6-1.0 x 35mm

20" Blade Guard Assembly #6010952



20" Blade Guard Assembly #6010952

ITEM	PART NO.	QTY.	DESCRIPTION
1	6010603	1	20" Blade Guard Front & Rear Only
2	6010081	1	Splash Flap
3	2900310	2	Cap Screw, Hex Hd., M6-1.0 x 20mm
4	2901494	4	Flat Washer, M6
5	2900083	2	Fender Washer, 1/4" x 1-1/4"
6	2900302	8	Lock Nut, M6-1.0 Nylon Insert
7	6010261	1	Water Manifold
8	2500830	1	Water Manifold Gasket
9	2901355	2	Cap Screw, Hex Hd., M6-1.0 x 50mm
10	3200001	3	Plug, 1/8" NPT
11	3200002	1	Fitting, 3/8" M. Pipe to 3/4" M. Garden
12	2900278	1	Lanyard with Lock Pin
13	6010085	2	Water Tube for 20" Guard
14	6048155	2	Water Tube Clamp
15	2900308	4	Cap Screw, Flat Hd., M6-1.0 x 16mm
16	1800001	1	Warning Label
17	1801369D	1	Blade Guard Size Tag
18	2900287	2	Rivet, 1/8" Dia.
19	1802090	2	Label, Wedge Locking Washer
20	6048027	1	Hinge Assembly

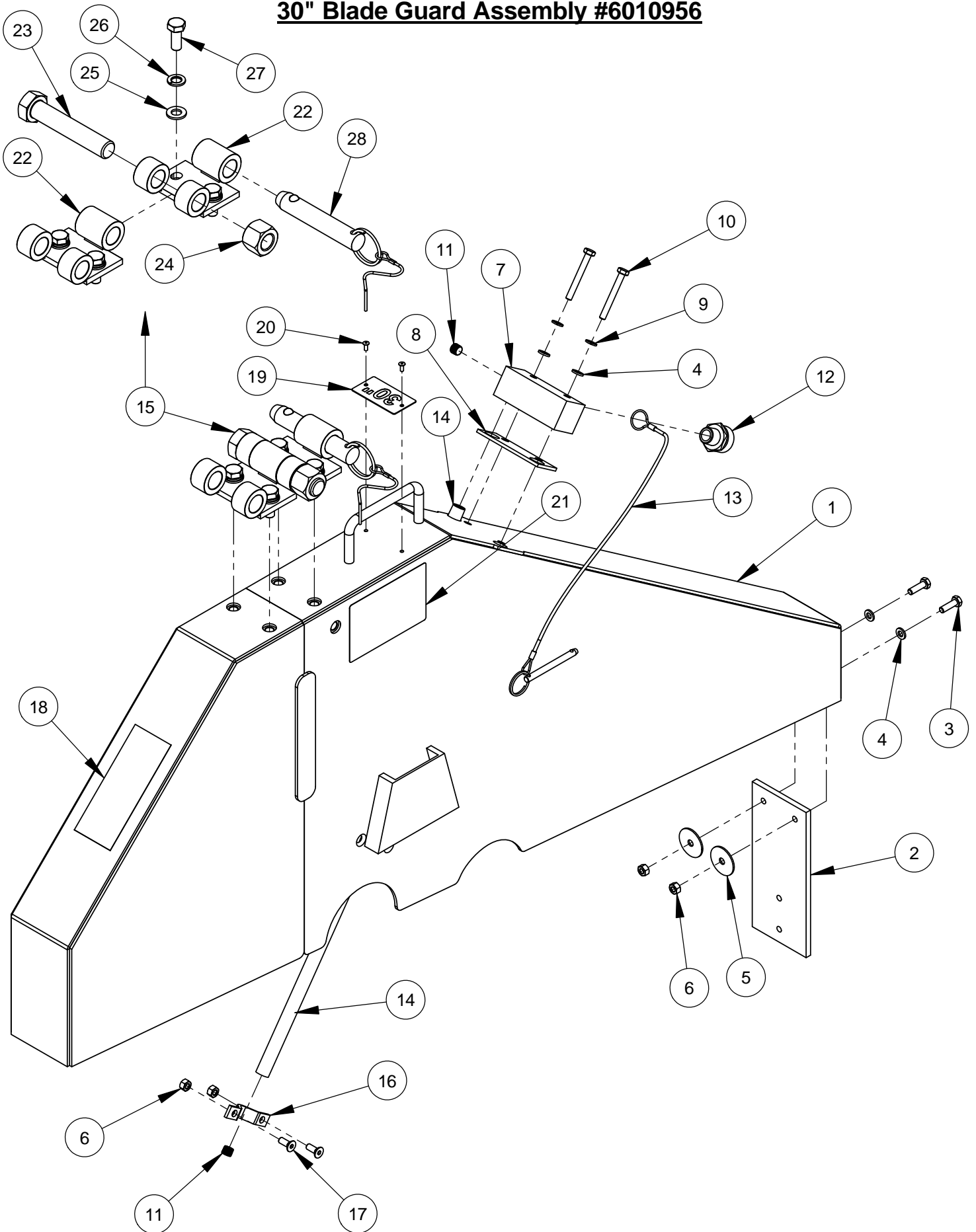
ITEM	PART NO.	QTY.	DESCRIPTION
21	2500270	1	Blade Guard Hinge
22	2900310	6	Cap Screw, Hex Hd., M6-1.0 x 20mm
23	2901494	6	Flat Washer, M6
24	2900302	6	Lock Nut, M6-1.0 Nylon Insert

26" Blade Guard Assembly #6010954

ITEM	PART NO.	QTY.	DESCRIPTION
1	6010955	1	26" Blade Guard Front & Rear Only
2	6010081	1	Splash Flap
3	2900310	2	Cap Screw, Hex Hd., M6-1.0 x 20mm
4	2901494	4	Flat Washer, M6
5	2900083	2	Fender Washer, 1/4" x 1-1/4"
6	2900302	6	Lock Nut, M6-1.0 Nylon Insert
7	6010261	1	Water Manifold
8	2500830	1	Water Manifold Gasket
9	2900765	2	Lock Washer, M6 Split
10	2901355	2	Cap Screw, Hex Hd., M6-1.0 x 50mm
11	3200001	3	Plug, 1/8" NPT
12	3200002	1	Fitting, 3/8" M. Pipe to 3/4" M. Garden
13	2900279	1	Lanyard with Lock Pin
14	6010086	2	Water Tube for 26" Guard
15	6048155	2	Water Tube Clamp
16	2900308	4	Cap Screw, Flat Hd., M6-1.0 x 16mm
17	1800001	1	Warning Label
18	1801369F	1	Blade Guard Size Tag
19	2900287	2	Rivet, 1/8" Dia.
20	1802090	2	Label, Wedge Locking Washer
21	6010873	1	Universal Hinge Assembly

ITEM	PART NO.	QTY	DESCRIPTION
22	6010871	2	Hinge Weldment, Universal
23	2900479	1	Cap Screw, Hex Hd., 3/4-10 x 4"
24	2900467	1	Lock Nut, 3/4-10 Nylon
25	2901356	4	Flat Washer, M10
26	2900321	4	Lock Washer, M10 Split
27	2900333	4	Cap Screw, Hex Hd., M10-1.5 x 25mm
28	2503824	1	Detent Pin, 3/4" x 3" Grip

30" Blade Guard Assembly #6010956



30" Blade Guard Assembly #6010956

ITEM	PART NO.	QTY.	DESCRIPTION
1	6010957	1	30" Blade Guard Front & Rear Only
2	6010081	1	Splash Flap
3	2900310	2	Cap Screw, Hex Hd., M6-1.0 x 20mm
4	2901494	4	Flat Washer, M6
5	2900083	2	Fender Washer, 1/4" x 1-1/4"
6	2900302	6	Lock Nut, M6-1.0 Nylon Insert
7	6010261	1	Water Manifold
8	2500830	1	Water Manifold Gasket
9	2900765	2	Lock Washer, M6 Split
10	2901355	2	Cap Screw, Hex Hd., M6-1.0 x 50mm
11	3200001	3	Plug, 1/8" NPT
12	3200002	1	Fitting, 3/8" M. Pipe to 3/4" M. Garden
13	2900279	1	Lanyard with Lock Pin
14	6010087	2	Water Tube for 30" Guard
15	6010873	1	Universal Hinge Assembly
16	6048155	2	Water Tube Clamp
17	2900308	4	Cap Screw, Flat Hd., M6-1.0 x 16mm
18	1800001	1	Warning Label
19	1801369G	1	Blade Guard Size Tag
20	2900287	2	Rivet, 1/8" Dia.
21	1802090	2	Label, Wedge Locking Washer

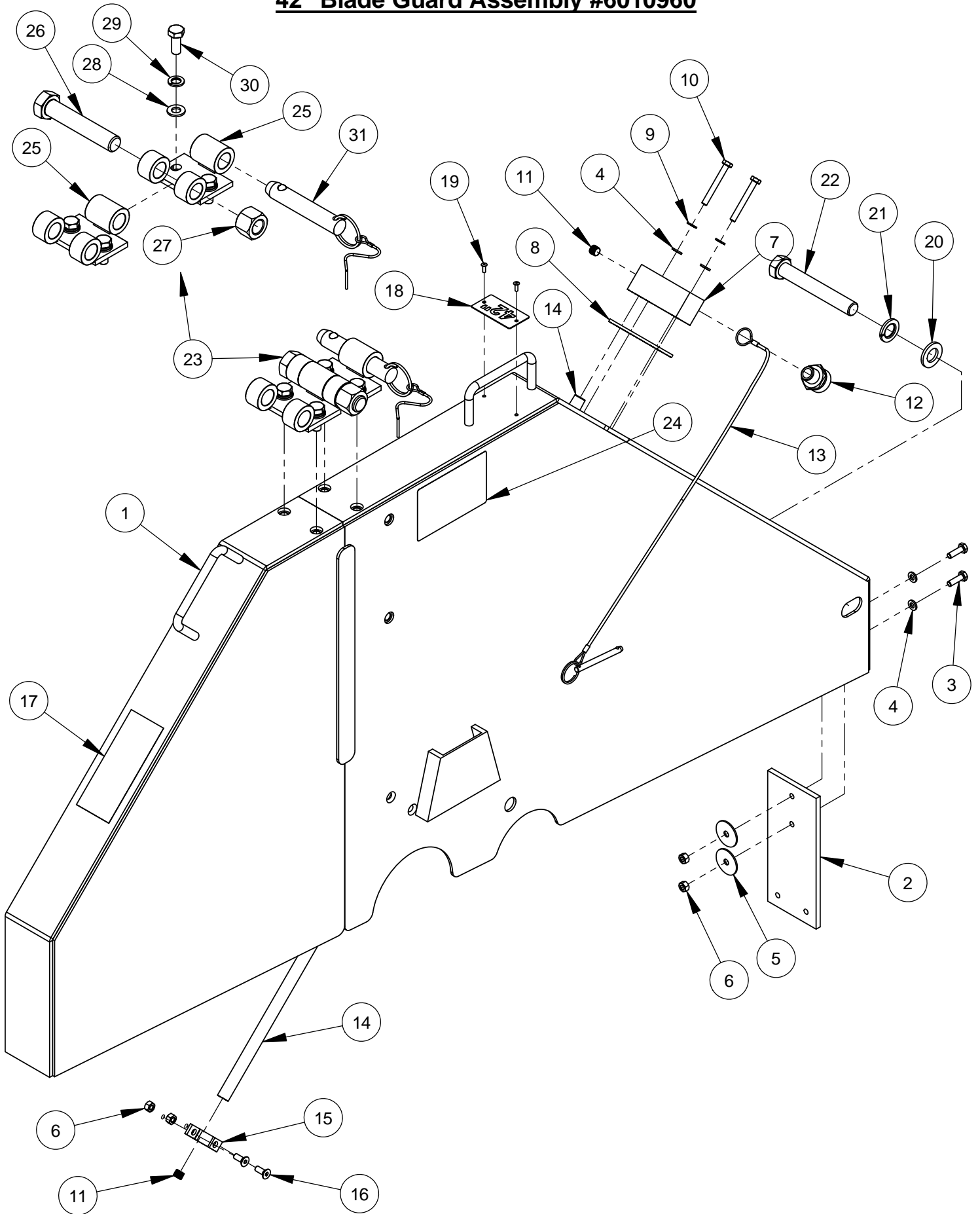
ITEM	PART NO.	QTY	DESCRIPTION
22	6010871	2	Hinge Weldment, Universal
23	2900479	1	Cap Screw, Hex Hd., 3/4-10 x 4"
24	2900467	1	Lock Nut, 3/4-10 Nylon
25	2901356	4	Flat Washer, M10
26	2900321	4	Lock Washer, M10 Split
27	2900333	4	Cap Screw, Hex Hd., M10-1.5 x 25mm
28	2503824	1	Detent Pin, 3/4" x 3" Grip

36" Blade Guard Assembly #6010958

ITEM	PART NO.	QTY.	DESCRIPTION
1	6010959	1	36" Blade Guard Front & Rear Only
2	6010081	1	Splash Flap
3	2900310	2	Cap Screw, Hex Hd., M6-1.0 x 20mm
4	2901494	4	Flat Washer, M6
5	2900083	2	Fender Washer, 1/4" x 1-1/4"
6	2900302	6	Lock Nut, M6-1.0 Nylon Insert
7	6010261	1	Water Manifold
8	2500830	1	Water Manifold Gasket
9	2900765	2	Lock Washer, M6 Split
10	2901355	2	Cap Screw, Hex Hd., M6-1.0 x 50mm
11	3200001	3	Plug, 1/8" NPT
12	3200002	1	Fitting, 3/8" M. Pipe to 3/4" M. Garden
13	2900280	1	Lanyard with Lock Pin
14	6010088	2	Water Tube for 36" Guard
15	6048155	2	Water Tube Clamp
16	2900308	4	Cap Screw, Flat Hd., M6-1.0 x 16mm
17	1800001	1	Warning Label
18	1801369H	1	Blade Guard Size Tag
19	2900639	2	Rivet, 1/8" Dia.
20	2901358	1	Flat Washer, M16
21	2900716	1	Lock Washer, M16 Split
22	2901349	1	Cap Screw, Hex Hd., M16-2.0 x 110mm
23	6010873	1	Universal Hinge Assembly
24	1802090	2	Label, Wedge Locking Washer

ITEM	PART NO.	QTY	DESCRIPTION
25	6010871	2	Hinge Weldment, Universal
26	2900479	1	Cap Screw, Hex Hd., 3/4-10 x 4"
27	2900467	1	Lock Nut, 3/4-10 Nylon
28	2901356	4	Flat Washer, M10
29	2900321	4	Lock Washer, M10 Split
30	2900333	4	Cap Screw, Hex Hd., M10-1.5 x 25mm
31	2503824	1	Detent Pin, 3/4" x 3" Grip

42" Blade Guard Assembly #6010960

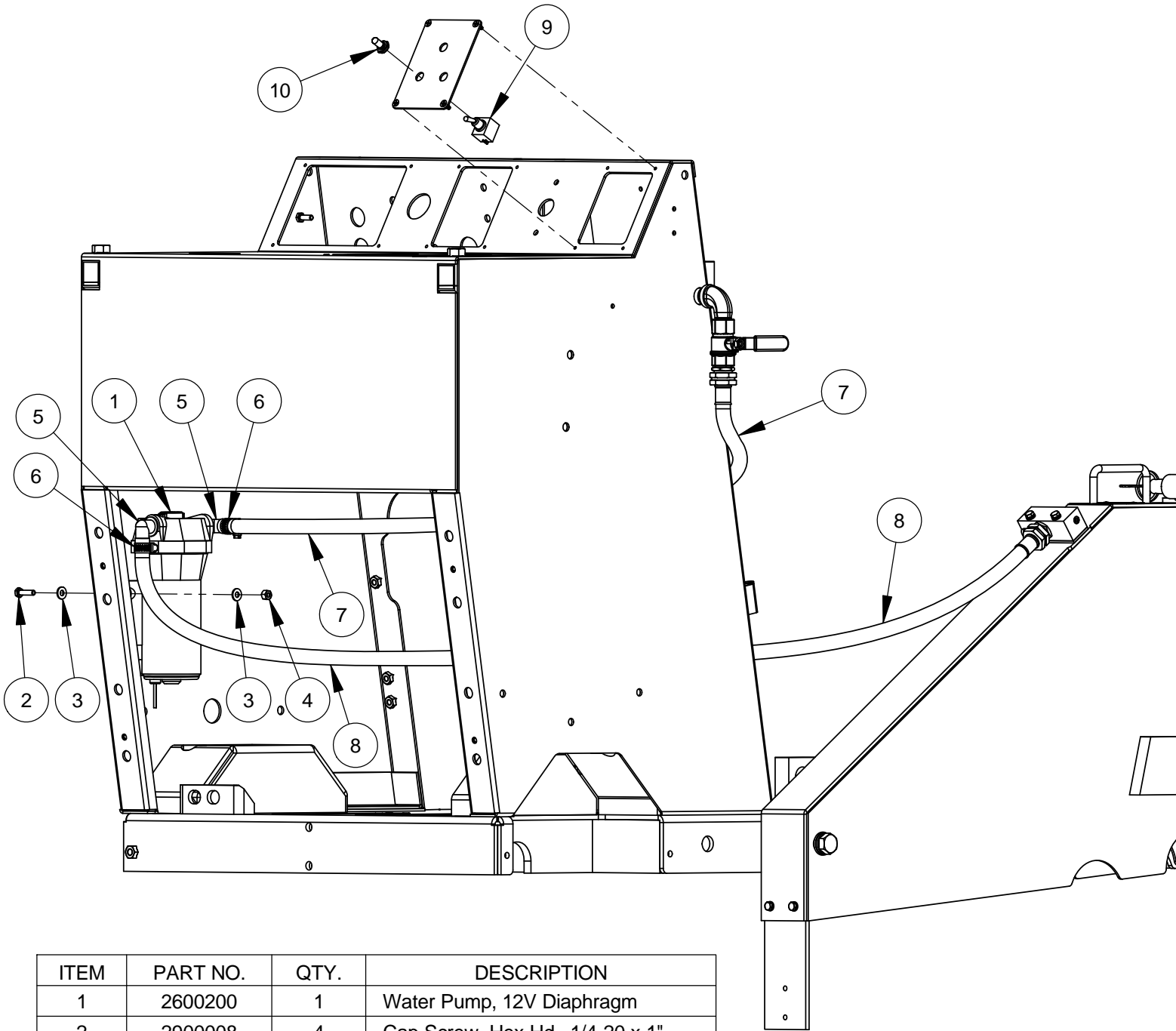


42" Blade Guard Assembly #6010960

ITEM	PART NO.	QTY	DESCRIPTION
1	6010961	1	42" Blade Guard Front & Rear Only
2	6010081	1	Splash Flap
3	2900310	2	Cap Screw, Hex Hd., M6-1.0 x 20mm
4	2901494	4	Flat Washer, M6
5	2900083	2	Fender Washer, 1/4" x 1-1/4"
6	2900302	6	Lock Nut, M6-1.0 Nylon Insert
7	6048123	1	Water Manifold
8	2500829	1	Water Manifold Gasket
9	2900765	2	Lock Washer, M6 Split
10	2901355	2	Cap Screw, Hex Hd., M6-1.0 x 50mm
11	3200001	3	Plug, 1/8" NPT
12	3200002	1	Fitting, 3/8" M. Pipe to 3/4" M. Garden
13	2900280	1	Lanyard with Lock Pin
14	6010114	2	Water Tube for 42" Guard
15	6048155	2	Water Tube Clamp
16	2900308	4	Cap Screw, Flat Hd., M6-1.0 x 16mm
17	1800001	1	Warning Label
18	1801369I	1	Blade Guard Size Tag
19	2900639	2	Rivet, 1/8" Dia.
20	2901358	1	Flat Washer, M16
21	2900716	1	Lock Washer, M16 Split
22	2901349	1	Cap Screw, Hex Hd., M16-2.0 x 110mm
23	6010873	1	Universal Hinge Assembly
24	1802090	2	Label, Wedge Locking Washer

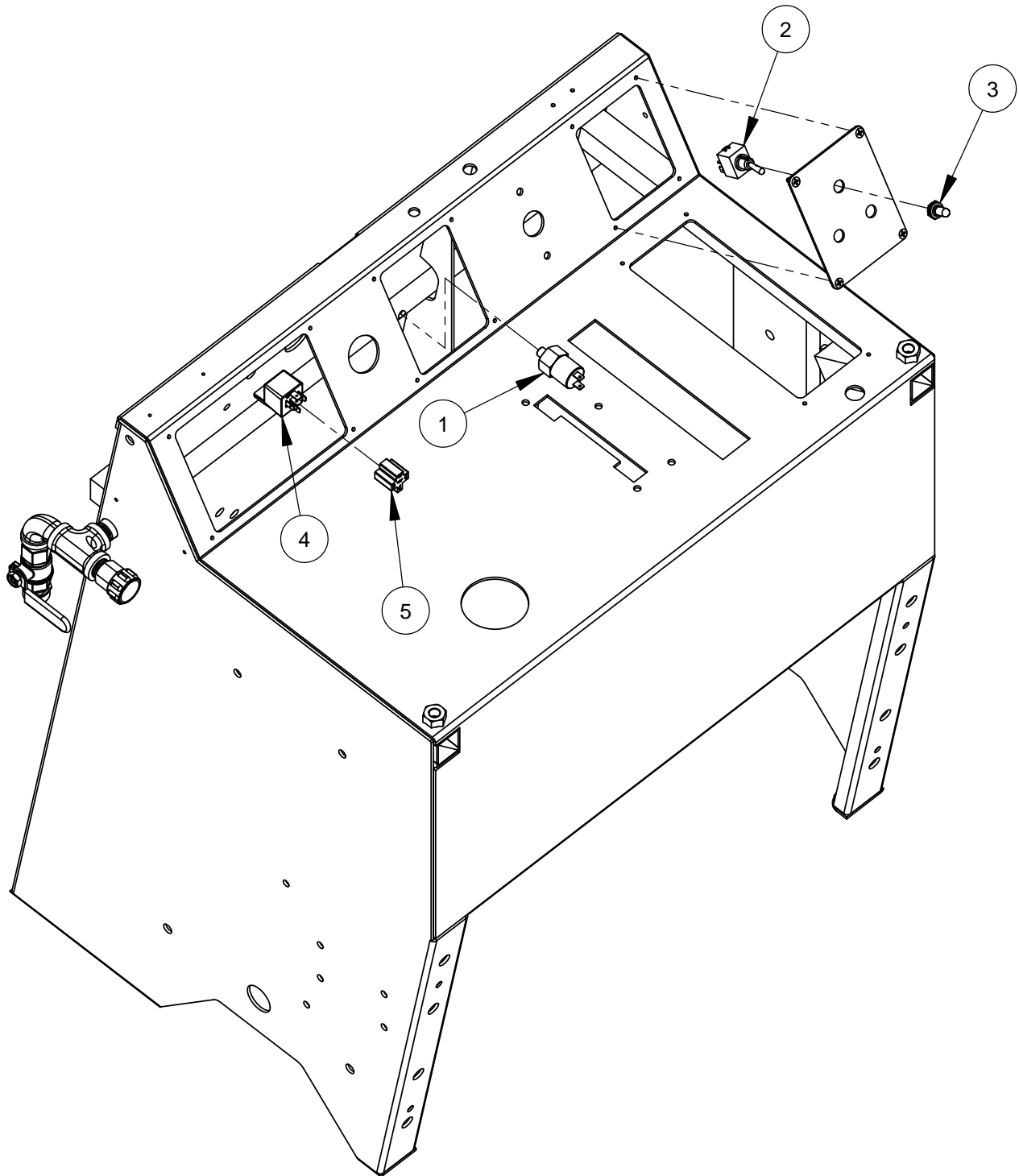
ITEM	PART NO.	QTY	DESCRIPTION
25	6010871	2	Hinge Weldment, Universal
26	2900479	1	Cap Screw, Hex Hd., 3/4-10 x 4"
27	2900467	1	Lock Nut, 3/4-10 Nylon
28	2901356	4	Flat Washer, M10
29	2900321	4	Lock Washer, M10 Split
30	2900333	4	Cap Screw, Hex Hd., M10-1.5 x 25mm
31	2503824	1	Detent Pin, 3/4" x 3" Grip

Optional Water Pump Assembly #6011032



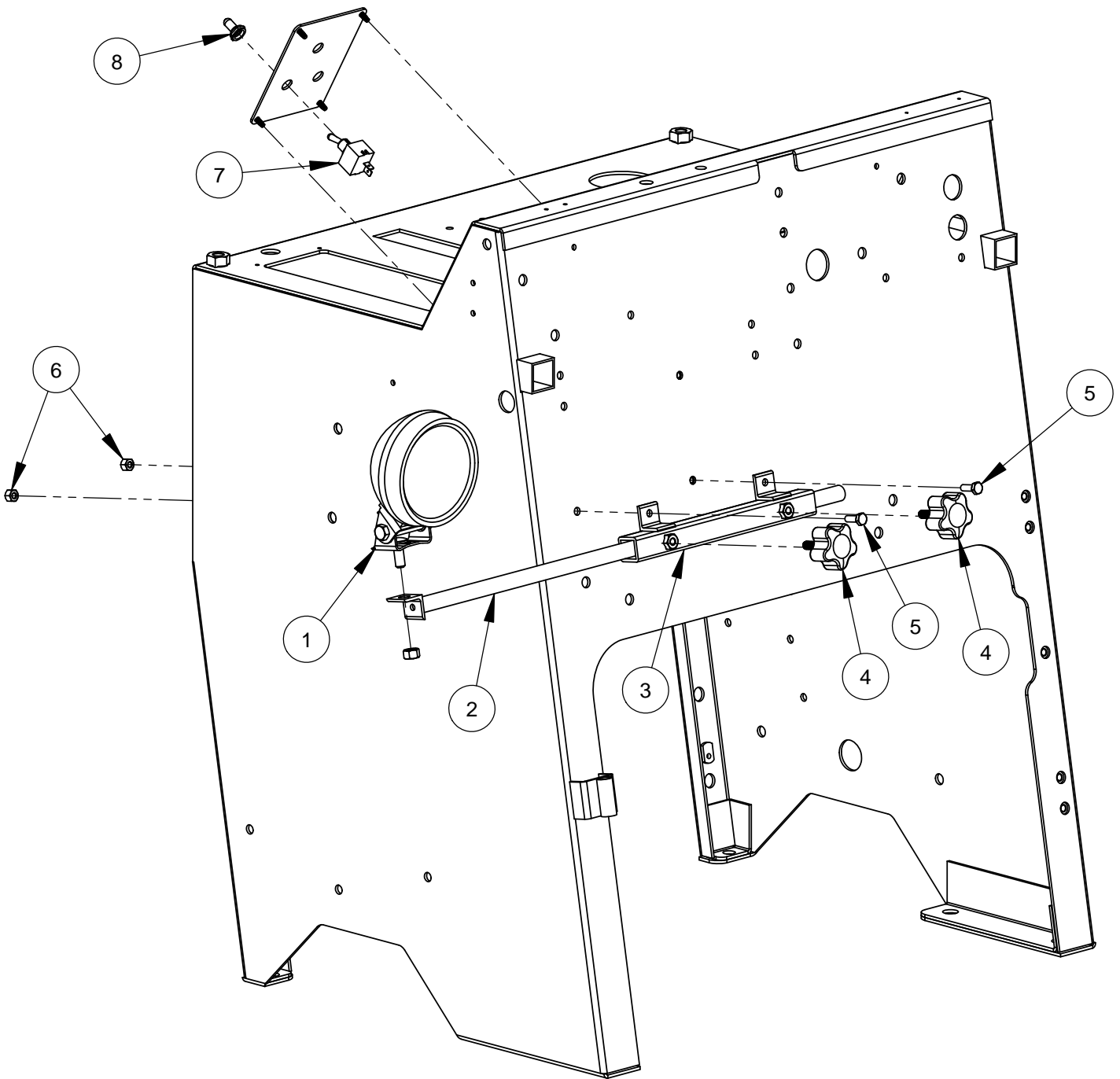
ITEM	PART NO.	QTY.	DESCRIPTION
1	2600200	1	Water Pump, 12V Diaphragm
2	2900008	4	Cap Screw, Hex Hd., 1/4-20 x 1"
3	2900009	8	Flat Washer, 1/4" SAE
4	2900010	4	Lock Nut, 1/4-20 Nylon
5	2701694	2	Port Fitting, 1/2" Barb x 90 Degree
6	3200016	2	Hose Clamp #8
7	6010302	1	Water Hose Assembly 48"
8	6010303	1	Water Hose Assembly 60"
9	2800062	1	Toggle Switch On/Off
10	2800063	1	Toggle Switch Boot

Optional Water Safety Switch Assembly #6010522



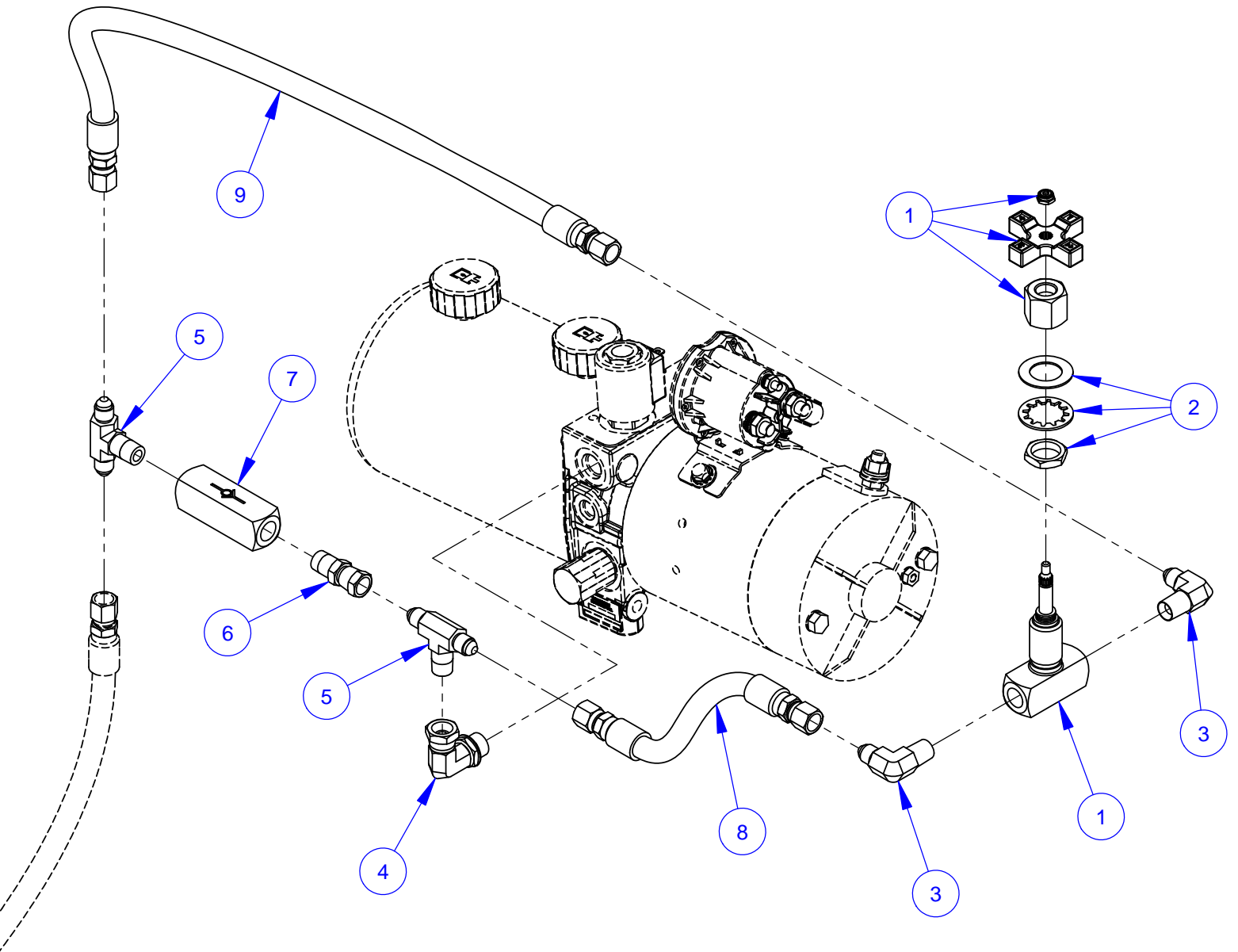
ITEM	PART NO.	QTY.	DESCRIPTION
1	2800060	1	Water Pressure Safety Switch
2	2800062	1	Toggle Switch On/Off
3	2800063	1	Toggle Switch Boot
4	2800144	1	Relay, 50 Amp, 12V, SPDT
5	2800263	1	Relay Connector (5 Wire)

Optional Spot Light Assembly #6010112



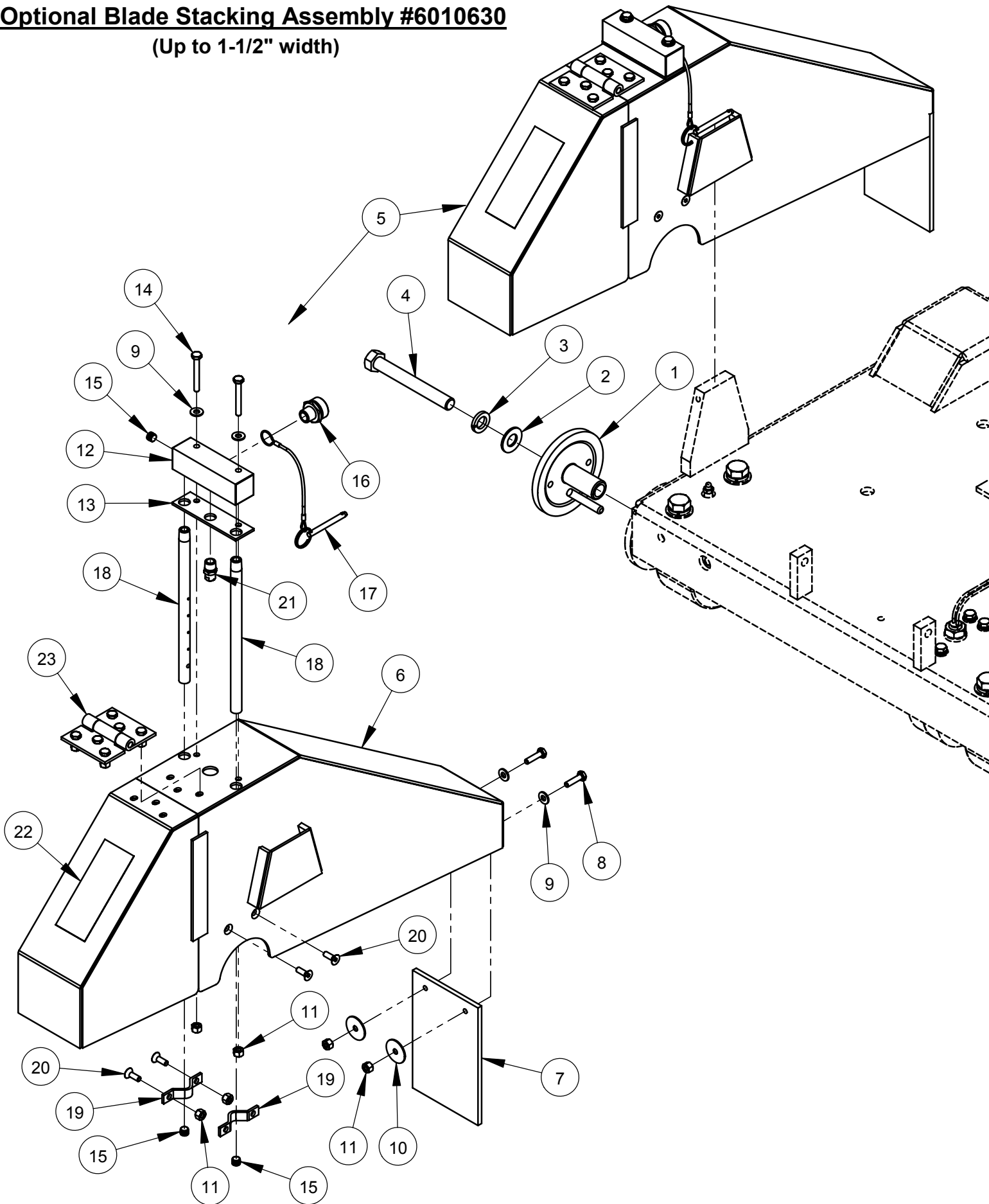
ITEM	PART NO.	QTY.	DESCRIPTION
1	2500194	1	Spot Light, 12 Volt
2	6010106	1	Light Bar
3	6010107	1	Light Bar Mount Bracket
4	2400157	2	Hand Lock Knob, 5/16-18 x 1"
5	2900144	2	Cap Screw, Hex Hd., 1/4-20 x 3/4"
6	2900010	2	Lock Nut, 1/4-20 Nylon
7	2800062	1	Toggle Switch On/Off
8	2800063	1	Toggle Switch Boot

Optional Lowering Speed Metering Valve Assembly #6010227



ITEM	PART NO.	QTY.	DESCRIPTION
1	3200211	1	Valve, 1/4" Metering
2	3200212	1	Panel Mounting Kit
3	3200057	2	Elbow, 1/4" M. Pipe to 1/4" M. JIC
4	3200115	1	Elbow, 3/8" O-Ring to 1/4" F. Pipe
5	3200213	2	Tee, 1/4" M. JIC to 1/4" M. Pipe
6	3200219	1	Adapter, 1/4" M. Pipe to 1/4" F. JIC
7	3200218	1	Check Valve
8	6010247	1	Hose Assembly, 8" Long
9	6010248	1	Hose Assembly, 20" Long

Optional Blade Stacking Assembly #6010630
(Up to 1-1/2" width)

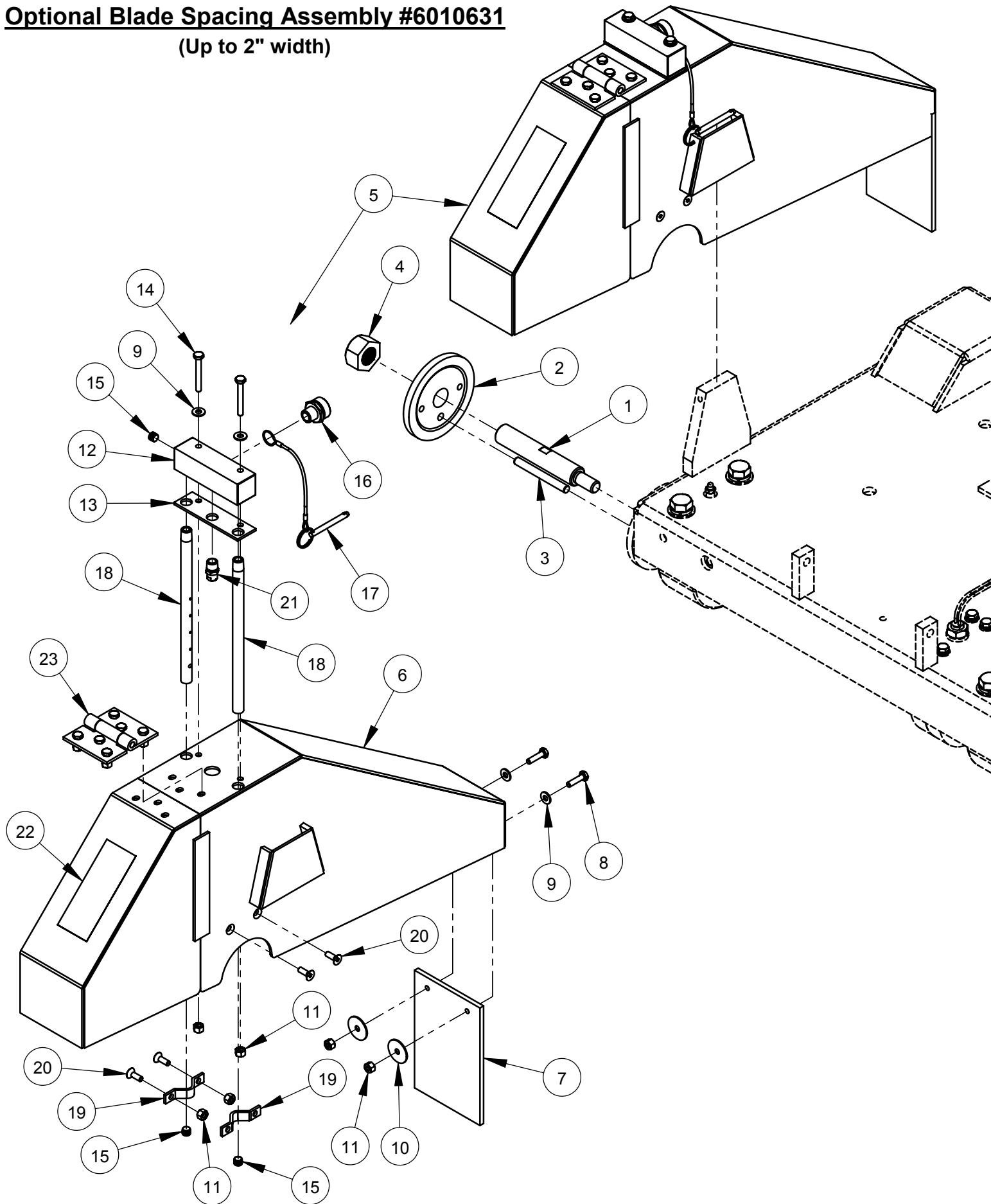


Optional Blade Stacking Assembly #6010630
(Up to 1-1/2" width)

ITEM	PART NO.	QTY.	DESCRIPTION
1	6010159	1	Outer Flange 4-1/2" with Pin
2	2900002	1	Flat Washer, 5/8" SAE
3	2900113	1	Lock Washer, 5/8" Split
4	2900210	1	Cap Screw, Hex Hd., 5/8"-11 x 5" LH
5	6010620	1	20" Wide Blade Guard Assembly

ITEM	PART NO.	QTY.	DESCRIPTION
6	6010621	1	20" Wide Blade Guard Front & Rear Only
7	6010296	1	Splash Flap
8	2900008	2	Cap Screw, Hex Hd., 1/4-20 x 1"
9	2900009	4	Flat Washer, 1/4" SAE
10	2900083	2	Fender Washer, 1/4" x 1-1/4"
11	2900010	8	Lock Nut, 1/4-20 Nylon
12	6010288	1	Water Manifold
13	2500988	1	Water Manifold Gasket
14	2900294	2	Cap Screw, Hex Hd., 1/4-20 x 2"
15	3200001	3	Plug, 1/8" NPT
16	3200002	1	Fitting, 3/8" M. Pipe to 3/4" M. Garden
17	2900278	1	Lanyard with Lock Pin
18	6010085	2	Water Tube for 20" Guard
19	6048155	2	Water Tube Clamp
20	2900020	4	Cap Screw, Flat Hd., 1/4-20 x 3/4"
21	3200208	1	Nozzle, 1/4" NPT
22	1800001	1	Warning Label
23	6010251	1	Hinge Assembly for 20" Guard

Optional Blade Spacing Assembly #6010631
(Up to 2" width)

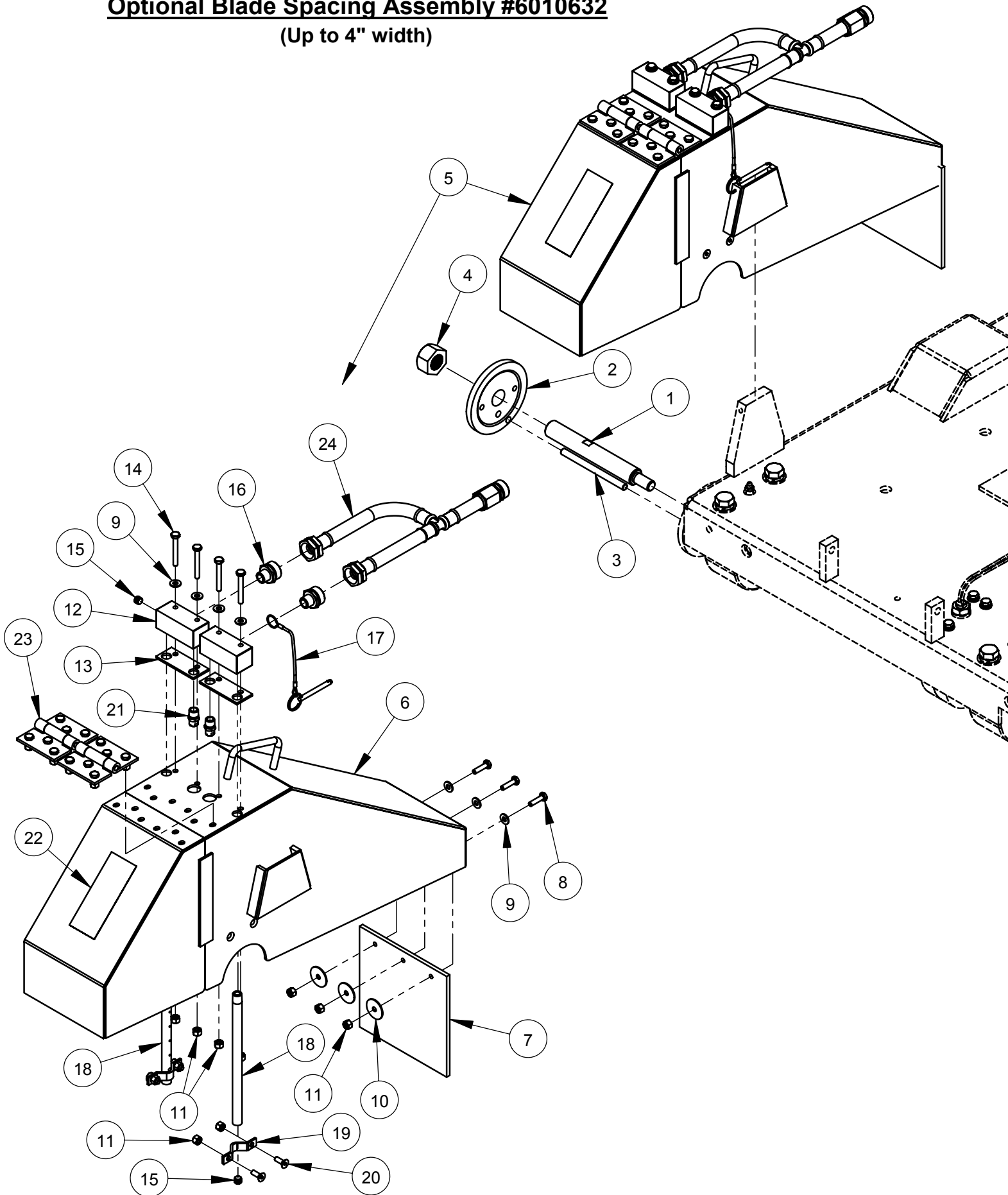


Optional Blade Spacing Assembly #6010631
(Up to 2" width)

ITEM	PART NO.	QTY.	DESCRIPTION
1	6010186	1	Blade Shaft Extension, Left Hand Thread
2	6010187	1	Outer Flange 4-1/2"
3	2900218	1	Dowel Pin, 3/8" Dia. x 3-1/2"
4	2900212	1	Hex Nut, 1"-14 Left Hand
5	6010620	1	20" Wide Blade Guard Assembly

ITEM	PART NO.	QTY.	DESCRIPTION
6	6010621	1	20" Wide Blade Guard Front & Rear Only
7	6010296	1	Splash Flap
8	2900008	2	Cap Screw, Hex Hd., 1/4-20 x 1"
9	2900009	4	Flat Washer, 1/4" SAE
10	2900083	2	Fender Washer, 1/4" x 1-1/4"
11	2900010	8	Lock Nut, 1/4-20 Nylon
12	6010288	1	Water Manifold
13	2500988	1	Water Manifold Gasket
14	2900294	2	Cap Screw, Hex Hd., 1/4-20 x 2"
15	3200001	3	Plug, 1/8" NPT
16	3200002	1	Fitting, 3/8" M. Pipe to 3/4" M. Garden
17	2900278	1	Lanyard with Lock Pin
18	6010085	2	Water Tube for 20" Guard
19	6048155	2	Water Tube Clamp
20	2900020	4	Cap Screw, Flat Hd., 1/4-20 x 3/4"
21	3200208	1	Nozzle, 1/4" NPT
22	1800001	1	Warning Label
23	6010251	1	Hinge Assembly for 20" Guard

Optional Blade Spacing Assembly #6010632
(Up to 4" width)



Optional Blade Spacing Assembly #6010632
(Up to 4" width)

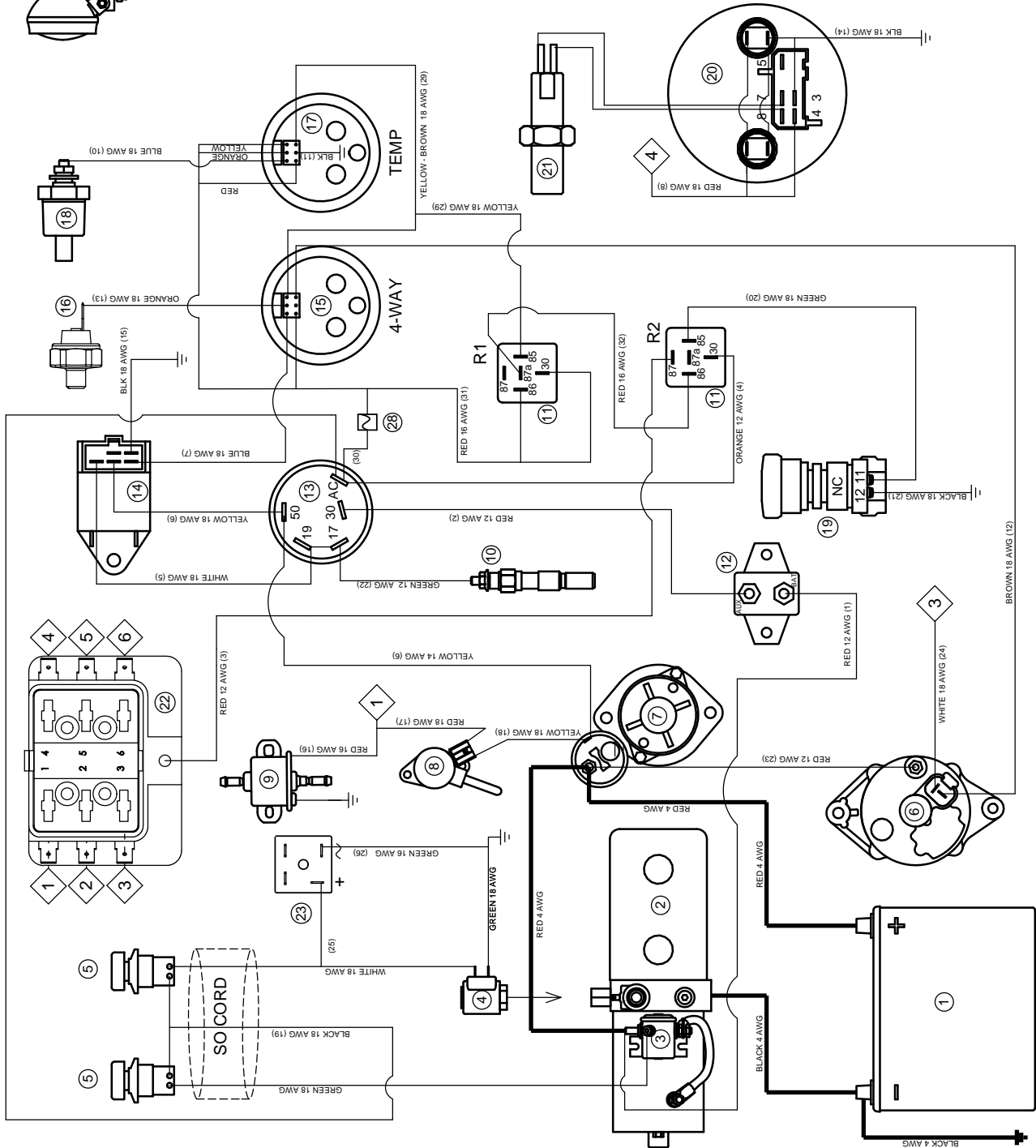
ITEM	PART NO.	QTY.	DESCRIPTION
1	6010309	1	Blade Shaft Extension, Left Hand Thread
2	6010187	1	Outer Flange 4-1/2"
3	6010359	1	Drive Pin, 3/8" Dia. x 5"
4	2900212	1	Hex Nut, 1"-14 Left Hand
5	6010622	1	20" Wide Blade Guard Assembly

ITEM	PART NO.	QTY.	DESCRIPTION
6	6010623	1	20" Wide Blade Guard Front & Rear Only
7	6010366	1	Splash Flap
8	2900008	3	Cap Screw, Hex Hd., 1/4-20 x 1"
9	2900009	7	Flat Washer, 1/4" SAE
10	2900083	3	Fender Washer, 1/4" x 1-1/4"
11	2900010	11	Lock Nut, 1/4-20 Nylon
12	6048123	2	Water Manifold
13	2500829	2	Water Manifold Gasket
14	2900294	4	Cap Screw, Hex Hd., 1/4-20 x 2"
15	3200001	4	Plug, 1/8" NPT
16	3200002	2	Fitting, 3/8" M. Pipe to 3/4" M. Garden
17	2900278	1	Lanyard with Lock Pin
18	6010085	2	Water Tube for 20" Guard
19	6048155	2	Water Tube Clamp
20	2900020	4	Cap Screw, Flat Hd., 1/4-20 x 3/4"
21	3200208	2	Nozzle, 1/4" NPT
22	1800001	1	Warning Label
23	6010251	2	Hinge Assembly for 20" Guard
24	6010588	1	Hose Assembly, Dual Inlet

(BLANK)

(BLANK)

CC6566 Wiring Diagram



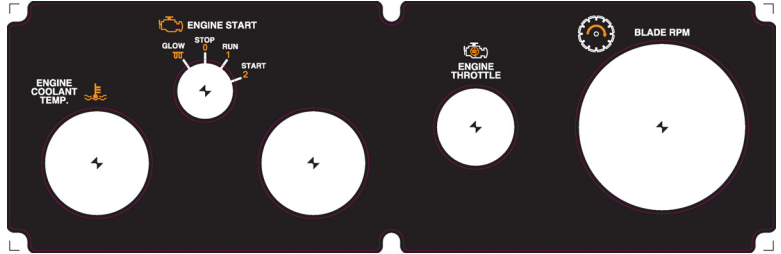
ITEM	PART #	QTY	DESC
1	2800465	1	Battery
2	2600070	1	Hyd Lift Pump
3	2703210	1	Solenoid Switch
4	2700243	1	Valve Coil
5	2800372	1	Raise Pushbutton
6	2800373	1	Lower Pushbutton
7	2704959	1	Alternator
8	2704964	1	Fuel Solenoid
9	2705005	1	Fuel Pump
10	2704962	1	Glow Plug
11	2800144	2	Relay (R1) (R2 = ACC.)
12	2800643	1	Circuit Breaker
13	2800364	1	Boot for Breaker
14	2705001	1	Ign. Switch and Keys
15	2705000	1	Keys only (pair)
16	2705006	1	Timer
17	2705003	1	Cluster Gauge (4-way)
18	2800617	1	Water Temp Gauge
19	2801367	1	Oil Pres. Sender
20	2800624	1	Water Temp Sender
21	2801367	1	E-stop Switch
22	6010416	1	Tach/Hour Meter (VDO)
23	2800169	1	Magnetic Sensor
24	2800925	1	Fuse Panel with Cover
25	2801439	6	10AMP Fuse (LED)
26	2800368	1	Diode
27	2800062	3	Toggle Switch
28	2500194	1	Spot Light
29	2800060	1	Water Pres. Switch N.O.
30	2600200	1	Water Pump
31	2801815	1	Inline Fuse Holder
32	2801439	1	10AMP Mini Fuse (LED)

Decal Group

CORE CUT

CC6566

Core Cut Decal #1801982 (Qty. 3)



Instrument Panel Decal #1801983

DIAMOND PRODUCTS CORE CUT

333 PROSPECT STREET
ELYRIA, OHIO 44025 USA
PHONE 1-800-321-5336
www.diamondproducts.com

CC6566 RPM CHART

BLADE SIZE	BLADE RPM	BLADESHAFT SHEAVE	ENGINE SHEAVE	ENGINE RPM	BELT SIZE	FLANGE SIZE	MAX CUT DEPTH
14"	2,900	4"	4"	2,900	3VX570	4-1/2"	4-1/2"
20"	2,500	4.5"	4"	2,800	3VX580	4-1/2"	7-1/2"
26"	2,100	4.5"	4"	2,350	3VX580	4-1/2"	10-1/2"
30"	1,800	6"	4"	2,700	3VX600	6"	11-3/4"
36"	1,500	6"	4"	2,250	3VX600	6"	14-3/4"
42"	1,300	6"	4"	1,950	3VX600	6"	17-3/4"

WARNING! NEVER EXCEED THE MAXIMUM RPM STAMPED ON BLADE!
EXCESSIVE SPEED CAN CAUSE BLADE BREAKAGE RESULTING IN SERIOUS PERSONAL INJURY OR DEATH.

WARNING
Always check the bladeshaft RPM before mounting blade.
Only use blades with a rated speed higher than the bladeshaft speed.
Never exceed the maximum RPM stamped on blade. Overcutting the blade can cause blade breakage and serious personal injury.
When changing blade size, always adjust bladeshaft RPM according to the speed chart to match recommended blade RPM.
Do not use a blade design size smaller than indicated for each blade.
Never operate saw without the blade guard in place or allow rotating blade operators to exceed OSHA design.
Never stand in line with the blade path when starting or operating saw.
Never use damaged blades or equipment.
Refer to operator's manual for additional information about safety, operation and maintenance.

ADVERTENCIA
Antes de montar la cuchilla, compruebe siempre la velocidad de la eje de la cuchilla. Solo use cuchillas con una velocidad nominal superior a la velocidad máxima marcada en la cuchilla. Exceder la velocidad máxima puede causar la rotura de la cuchilla y lesiones personales graves.
Al cambiar el tamaño de la cuchilla, siempre ajuste la velocidad del eje de la cuchilla de acuerdo al cuadro de velocidades para coincidir con la velocidad recomendada de la cuchilla.
No use una cuchilla de diseño menor que el indicado para cada cuchilla.
Nunca opere la sierra sin el guardacuchilla en su lugar o permita que los operadores de la cuchilla excedan el diseño OSHA.
Nunca se ponga en línea con el camino de la cuchilla al arrancar o operar la sierra.
Nunca use cuchillas dañadas o equipo.
Consulte el manual del operador para obtener información adicional sobre seguridad, operación y mantenimiento.

RPM Chart Decal #1801984

WARNING

TO PREVENT SERIOUS INJURY
DO NOT OPERATE SAW
WITHOUT PROPER TRAINING
& FULL UNDERSTANDING
OF THE OWNERS MANUAL

WHEN OPERATING THIS MACHINE
KEEP ALL
GUARDS IN
PLACE

ALWAYS WEAR SAFETY APPROVED

- HEARING PROTECTION
- EYE OR FACE PROTECTION
- HEAD PROTECTION
- RESPIRATOR

S.M.I. MASONRY AND CONCRETE SAW MANUFACTURERS INSTITUTE ©

Warning Decal #1800001

REAR AXLE ADJUSTMENT
EMBRAGAR / DISMONTAR
LOW SULFUR OR ULTRA LOW SULFUR DIESEL FUEL ONLY

STOP
FIRST RETRACT DEFLECT PIN BEFORE ADJUSTING BELT TENSION! KEEP HANDS CLEAR

WATER PUMP
OFF / ON
WATER SAFETY / SEGURIDAD DEL AGUA

SPOT LIGHT
OFF / ON

BLADE LOWERING SPEED
SLOW / FAST
LENTO / RÁPIDO

BLADE DEPTH STOP
MORE DEPTH / LESS DEPTH
MÁS / MENOS PROFUNDIDAD

WARNING
Engage transmission when speed control lever is in neutral. Engage la transmisión cuando el selector de velocidad está en neutro.

WARNING
READ OWNERS MANUAL BEFORE OPERATING MACHINES. USE ONLY VENTILATED AREA COLLECTOR OR PLACE IN LOCATIONS. DO NOT USE IN UNAPPROPRIATE LOCATIONS. ALL OPERATORS MUST WEAR PROTECTIVE EQUIPMENT. ALWAYS WEAR SAFETY APPROVED EQUIPMENT BEFORE USING EQUIPMENT OR PROTECTIVE EQUIPMENT.

FORWARD ADELANTE
TRANSMISSION
NEUTRAL
REVERSE REVERSA

STOP
TIGHTEN / LOOSEN
AJUSTAR / AJUSTAR

Saw Decals Sheet #1801990

ADD 3 PUMPS OF GREASE TO PTO EVERY 25 HOURS. USE HIGH TEMPERATURE, EXTREME PRESSURE, LITHIUM BASED GREASE.

Grease PTO Decal #1800897