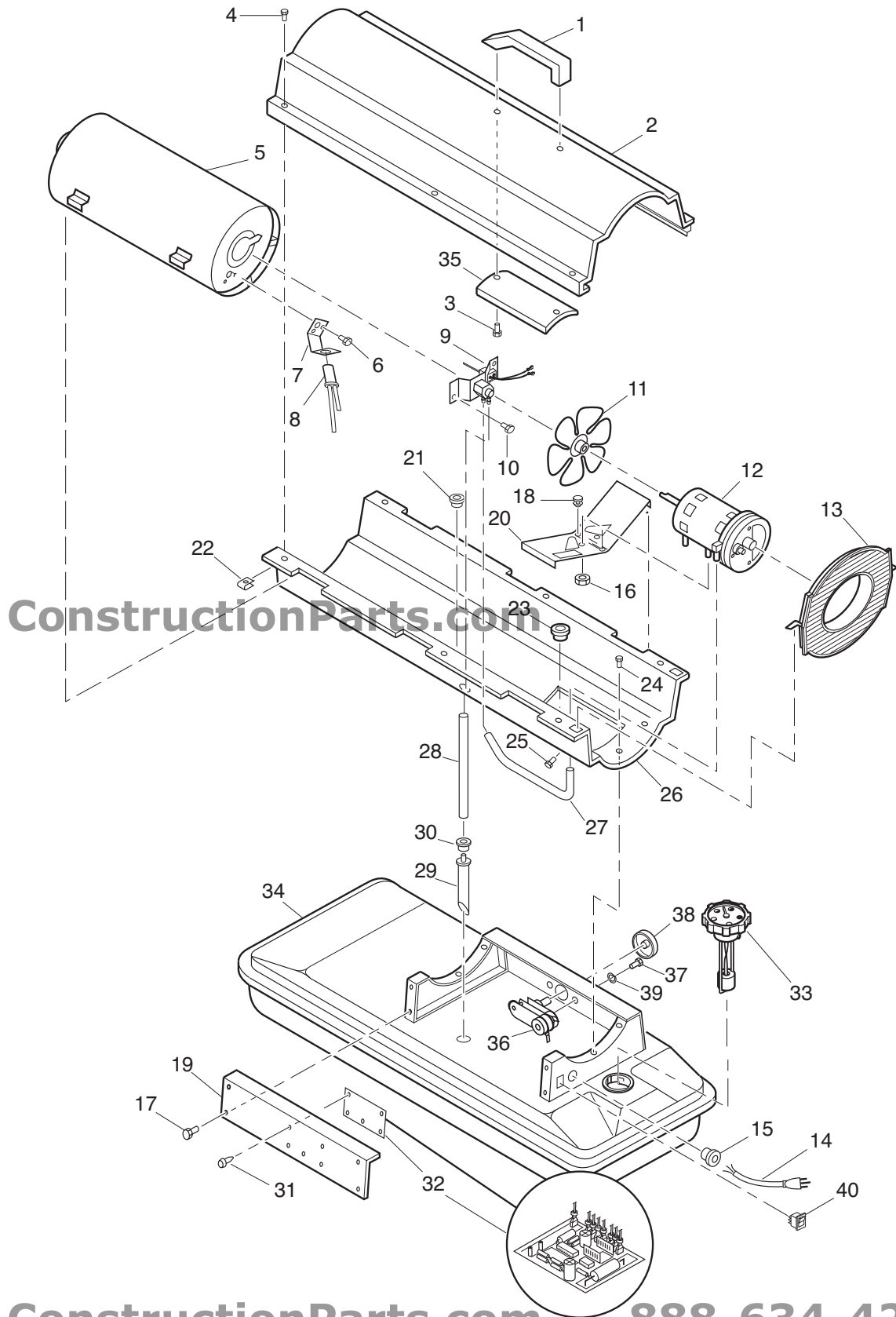


ILLUSTRATED PARTS BREAKDOWN
ConstructionParts.com 888-634-4289
MODEL CP070CK



ConstructionParts.com 888-634-4289

PARTS LIST

ConstructionParts.com

888-634-4289

MODEL CP070CK

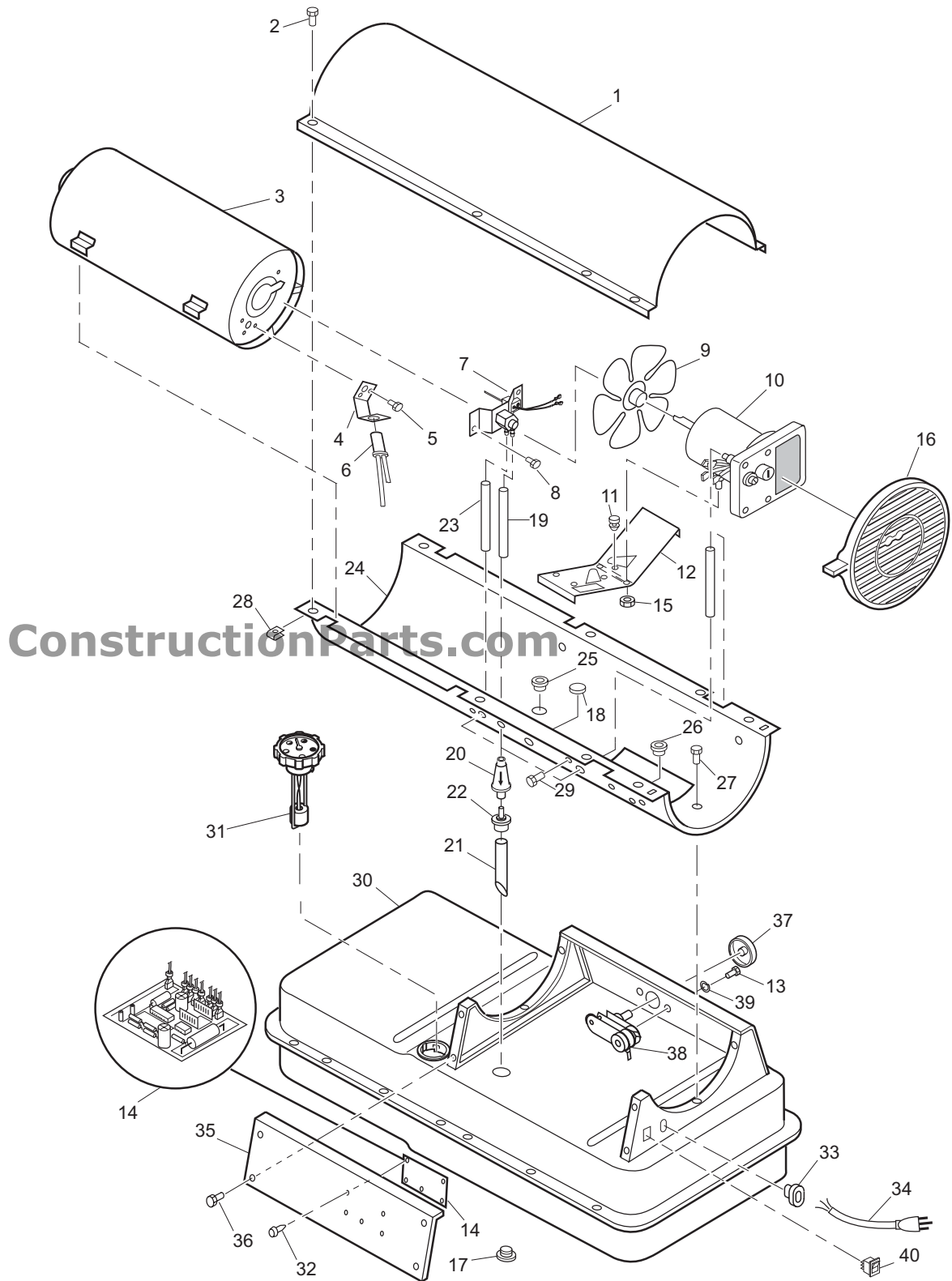
This list contains replaceable parts used in your heater. When ordering parts, be sure to provide the correct model and serial numbers (from the model plate), then the part number and description of the desired part.

KEY			
NO.	PART NO.	DESCRIPTION	QTY.
1	130-20783	Handle	1
2	130-22958	Upper Shell (Service Part Will Be Black)	1
3	130-20807	Screw, #10-16 x 3/4"	2
4	130-20805	Screw, #10-16 x 1 1/2"	6
5	130-24786	Combustion Chamber	1
6	130-20808	Screw, #6-32 x 3/8"	2
7	130-22960	Photocell Bracket	1
8	120-21925	Photocell Assembly	1
9	See page 20	Burner Head Assembly	1
10	130-20806	Screw, #10-16 x 3/8"	2
11	130-22964	Fan	1
12	See page 21	Motor and Pump Assembly	1
13	130-20929	Fan Guard	1
14	120-24783	Power Cord	1
15	130-20947	Strain Relief Bushing	1
16	130-20818	Hex Lock Nut, 1/4-20	2
17	130-20806	Screw, #10-16 x 3/8"	8
18	130-20924	Rubber Bumper	2
19	130-22968	Side Cover	2
20	130-20864	Motor Bracket	1
21	130-22969	Bushing	1
22	130-20936	Clip Nut	6
23	130-20932	Bushing	1
24	130-20806	Screw, #10-16 x 3/8"	6
25	130-20810	Screw, #8-32 x 3/8"	1
26	130-22970	Lower Shell (Service Part Will Be Black)	1
27	130-22971	Rubber Airline	1
28	130-20949	Fuel Line	1
29	130-20950	Fuel Filter with bushing	1
30	130-20933	Rubber Bushing	1
31	130-21920	PCB Support	5
32	120-21919	Ignition Control Assembly	1
33	130-24778	Fuel Cap with Gauge (Includes Gasket)	1
34	130-24779	Fuel Tank Kit	1
35	130-22973	Shell Heat-Shield	1
36	130-24130	Thermostat	1
37	130-24126	Screw, #8-32 x 7/8"	1
38	130-24131	Thermostat Knob	1
39	130-24129	Lock Washer, Ext #8	1
40	120-24782	Lighted On/Off Switch	1

PARTS AVAILABLE - NOT SHOWN

130-21921	Wire Tie (For Ignition Control Assembly)	1
120-24784	Wire Assembly (Thermostat to Ignition Control Assembly)	1
120-24785	Wire Assembly (Connects Switch to Thermostat or Ignition Control)	1

ILLUSTRATED PARTS BREAKDOWN
ConstructionParts.com **888-634-4289**



ConstructionParts.com **888-634-4289**

PARTS LIST

MODEL CP165DK **ConstructionParts.com**

888-634-4289

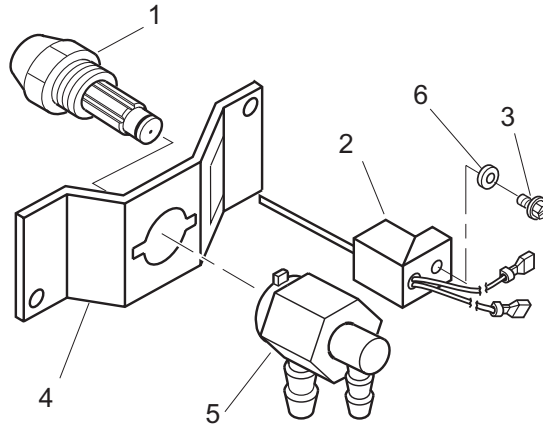
This list contains replaceable parts used in your heater. When ordering parts, be sure to provide the correct model and serial numbers (from the model plate), then the part number and description of the desired part.

KEY			
NO.	PART NO.	DESCRIPTION	QTY.
1	130-24121	Upper Shell (Service Part Will Be Black)	1
2	130-20805	Screw, #10-16 x 1/2"	8
3	130-24786	Combustion Chamber	1
4	130-24127	Photocell Bracket	1
5	130-20808	Screw, #6-32 x 3/8"	2
6	130-21925	Photocell Assembly	1
7	See page 20	Burner Head Assembly	1
8	130-20806	Screw, #10-16 x 3/8"	2
9	130-24120	Fan	1
10	See page 21	Motor and Pump Assembly	1
11	130-20924	Rubber Bumper	2
12	130-20863	Motor Mounting Bracket	1
13	130-24126	Screw, #8-32 x 7/8"	1
14	120-21919	Ignition Control Assembly	1
15	130-20818	Hex Lock Nut, 1/4-20	2
16	130-25140	Fan Guard	1
17	130-20945	Drain Plug (Includes "o" Rings)	1
18	130-24125	Button Plug	1
19	120-21939	Fuel Line	1
20	130-20953	Fuel Filter	1
21	130-20954	Fuel Line Tube	1
22	130-20933	Rubber Bushing	1
23	130-20955	Airline	1
24	130-24122	Lower Shell	1
25	130-24128	Bushing	1
26	130-20935	Bushing	1
27	130-20806	Screw, #10-16 x 3/8"	6
28	130-20936	Clip Nut	8
29	130-20810	Screw, #8-32 x 3/8"	1
30	130-24781	Fuel Tank Kit	1
31	130-24780	Fuel Cap with Gauge (Includes Gasket)	1
32	130-21920	P.C. Board Support	5
33	130-20947	Strain Relief Bushing	1
34	120-24783	Power Cord	1
35	130-21937	Side Cover	2
36	130-20806	Screw, #10-16 x 3/8"	8
37	130-24131	Thermostat Knob	1
38	130-24130	Thermostat	1
39	130-24129	Lockwasher, Ext. #8	1
40	120-24782	Lighted On/Off Switch	1
PARTS AVAILABLE - NOT SHOWN			
	130-21921	Wire Tie (For Ignition Control Assembly)	1
	120-24784	Wire Assembly (Thermostat to Ignition Control Assembly)	1
	120-24785	Wire Assembly (Connects ON/OFF Switch to Ignition Control or Thermostat if Equipped)	1

ILLUSTRATED PARTS BREAKDOWN
BURNER HEAD ASSEMBLY

ConstructionParts.com

888-634-4289



KEY

NO.	PART NO.	DESCRIPTION	QTY.
1	130-22961	Nozzle Assembly CP070CK	1
	130-21926	Nozzle Assembly CP165DK	1
2	120-21933	Ignitor Kit	1
3	130-21928	Screw	1
4	130-21917	Nozzle Adapter Bracket	1
5	130-22962	Nozzle Adapter	1
6	130-22963	Washer	1

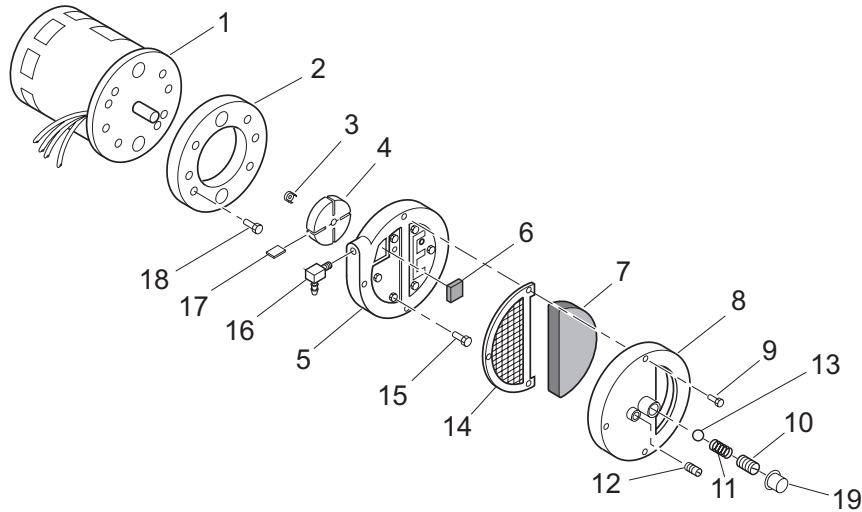
ConstructionParts.com

ConstructionParts.com

888-634-4289

ILLUSTRATED PARTS BREAKDOWN

MOTOR AND PUMP ASSEMBLY FOR CP070CK **888-634-4289**



KEY

NO.	PART NO.	DESCRIPTION	QTY.
1	120-22965	Motor	1
2	130-20857	Pump Body	1
3	130-20858**	Insert	1
4	130-20859**	Rotor	1
5	130-20876	Pump End Cover	1
6	130-20981***	Lint Filter	1
7	130-20878***	Intake Filter	1
8	130-20881	Filter End Cover	1
9	130-20813	Screw, #10-32 x 1"	3
10	130-20917 ∞	Adjusting Screw	1
11	130-20916 ∞	Pressure Relief Spring	1
12	130-20918 ∞	Plug	1
13	130-20915 ∞	Steel Ball, 1/4" Diameter	1
14	130-20919***	Output Filter	1
15	130-20813	Screw, #10-32 x 1"	6
16	130-22966	Nylon Elbow, 90°	1
17	130-20860**	Blade	4
18	130-20814	Screw, #10-32 x 5/8"	2
19	130-22967	Plastic Cap	1

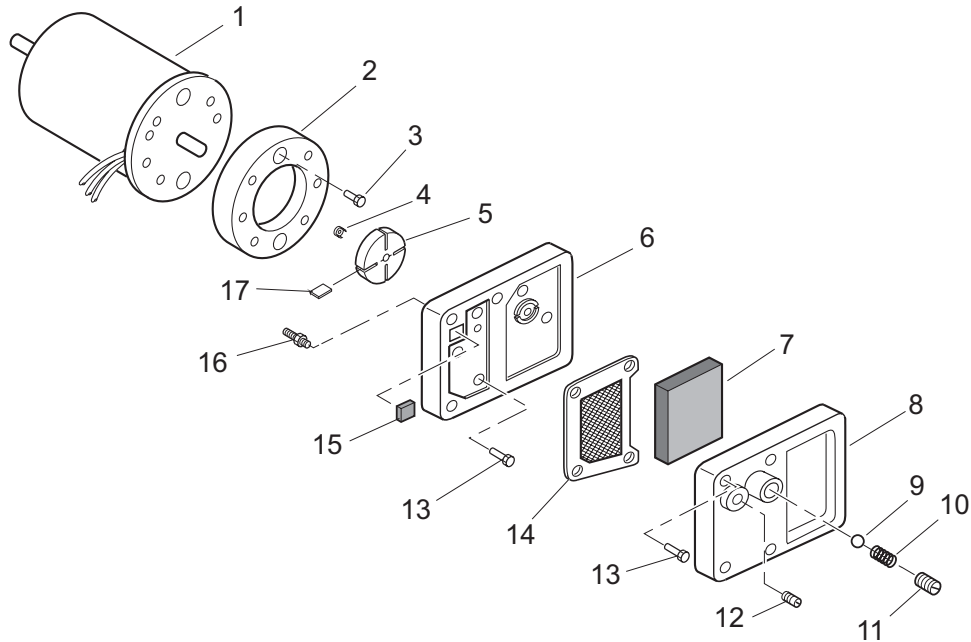
** Included in Rotor Kit (Part No. 500-20900)

*** Included in Filter Kit (Part No. 500-20903)

∞ Included in Pump Adjustment Kit (Part No. 500-20902)

ILLUSTRATED PARTS BREAKDOWN

MOTOR AND PUMP ASSEMBLY FOR CP165DK 888-634-4289



KEY

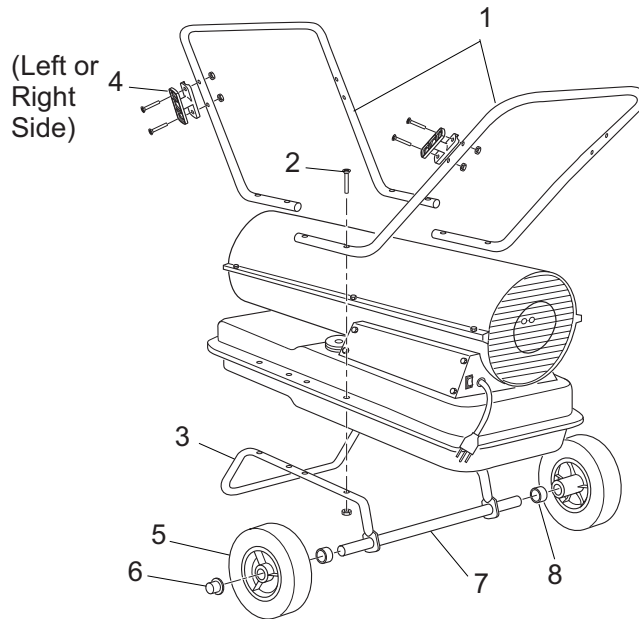
NO.	PART NO.	DESCRIPTION	QTY.
1	120-22965	Motor	1
2	130-20857	Pump Body	1
3	130-20814	Screw, #10-32 x 5/8"	2
4	130-20858**	Rotor Insert	1
5	130-20859**	Pump Rotor	1
6	130-20877	Pump End Cover	1
7	130-20879***	Intake Filter	1
8	130-20882	Filter End Cover	1
9	130-20915 ∞	Steel Ball, 1/4" Diameter	1
10	130-20916 ∞	Relief Spring	1
11	130-20917 ∞	Adjusting Screw	1
12	130-20918 ∞	Plug	1
13	130-20813	Screw, #10-32 x 1"	10
14	130-20920***	Output Filter	1
15	130-20880***	Lint Filter	1
16	130-20832	Barb Fitting	1
17	130-20860**	Blade	4

** Included in Rotor Kit (Part No. 500-20900)

*** Included in Filter Kit (Part No. 500-20901)

∞ Included in Pump Adjustment Kit (Part No. 500-20902)

ILLUSTRATED PARTS BREAKDOWN
WHEELS AND HANDLE PARTS LIST, MODEL CP165DK ONLY



KEY

NO.	PART NO.	DESCRIPTION	QTY.
1	130-24787	Handle Kit (If Equipped)	2
2	130-20853	Screw, #10-24 x 1 3/4"	6 or 8
3	130-24791	Wheel Frame Support	1
4	130-24788	Cord Cleat Kit (Left or Right) (If Equipped) (Contains 2 Cleats, 4 Nuts and 4 Bolts)	1
5	130-24790	Pneumatic Wheel Kit (Contains 2 Wheels, Cap Nuts, & Spacers)	1
6	130-20854	Cap Nut	2
7	130-24789	Axle	1
8	130-24792	Wheel Spacer	2