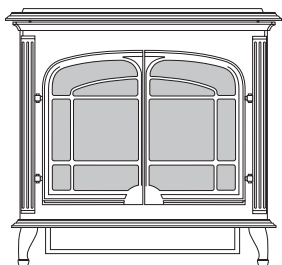


# DESA<sup>TM</sup>

HEARTH PRODUCTS

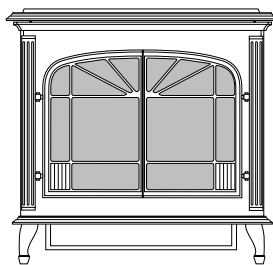
## UNVENTED (VENT-FREE) GAS STOVE HEATER OWNER'S OPERATION AND INSTALLATION MANUAL



OXFORD<sup>TM</sup>



Patent Pending



VICTOR HEARTH<sup>®</sup>



We recommend that our products be installed and serviced by professionals who are certified in the U.S. by NFI (National Fireplace Institute).  
[www.nficertified.org](http://www.nficertified.org)

### MODELS SVYD18NRA AND SVYD18PRA REMOTE-READY CONTROL GAS LOG HEATER (BURNER SYSTEM FOR CAST IRON STOVES)

**⚠ WARNING:** If the information in this manual is not followed exactly, a fire or explosion may result causing property damage, personal injury or loss of life.

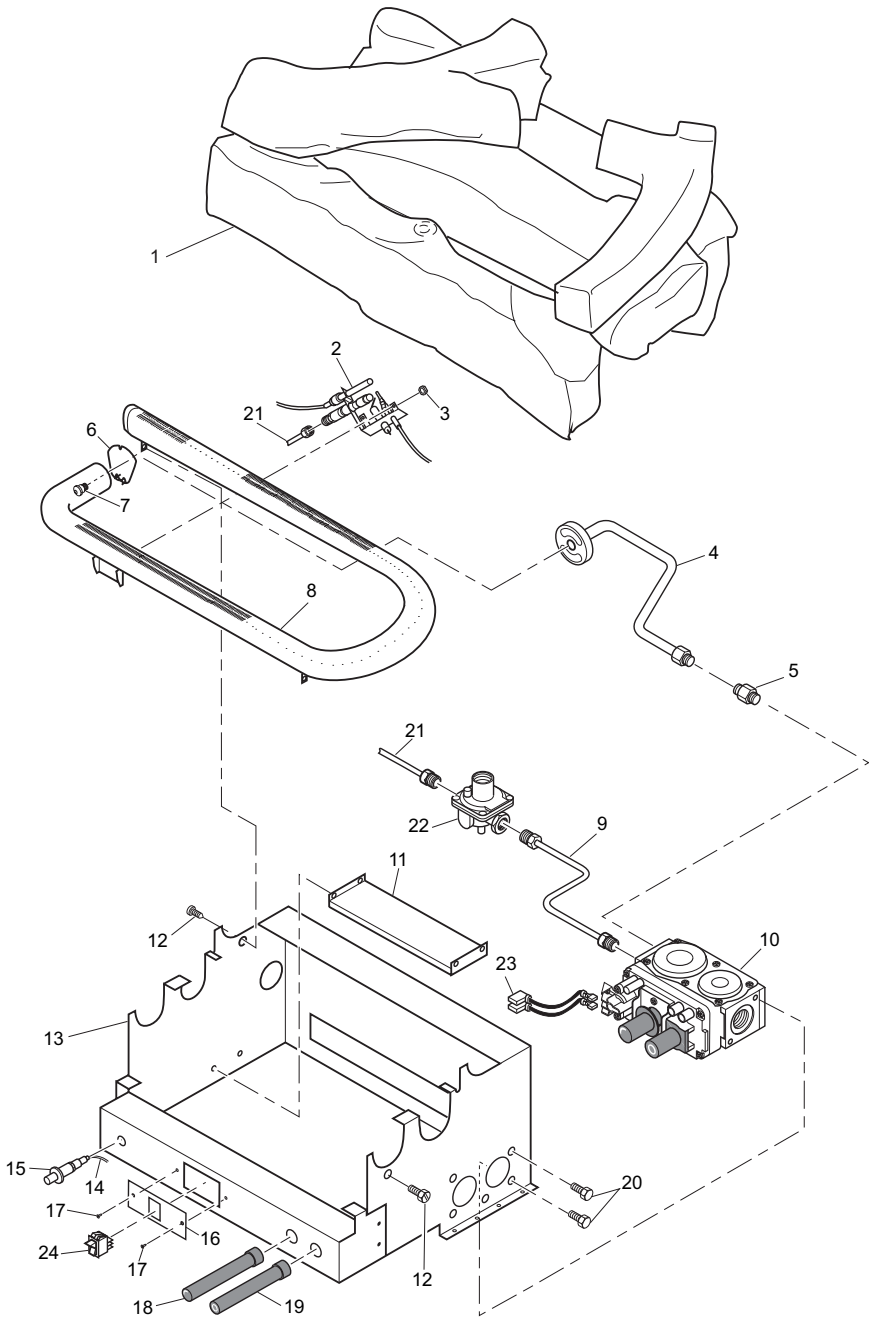
- Do not store or use gasoline or other flammable vapors and liquids in the vicinity of this or any other appliance.
- **WHAT TO DO IF YOU SMELL GAS**
  - Do not try to light any appliance.
  - Do not touch any electrical switch; do not use any phone in your building.
  - Immediately call your gas supplier from a neighbor's phone. Follow the gas supplier's instructions.
  - If you cannot reach your gas supplier, call the fire department.
- Installation and service must be performed by a qualified installer, service agency or the gas supplier.

**INSTALLER:** Leave this manual with the appliance.

**CONSUMER:** Retain this manual for future reference.

# PARTS

MODELS SVYD18PRA AND SVYD18NRA



## PARTS

This list contains replaceable parts used in your heater. When ordering parts, follow the instructions listed under Replacement Parts on page 26 of this manual.

| KEY<br>NO.                         | PART NO.  | DESCRIPTION                      |           |           | QTY. |
|------------------------------------|-----------|----------------------------------|-----------|-----------|------|
|                                    |           |                                  | SVYD18PRA | SVYD18NRA |      |
| 1                                  | 104026-01 | Stove Log                        | •         | •         | 1    |
| 2                                  | 103778-01 | ODS Pilot                        | •         | •         | 1    |
|                                    | 103779-01 | ODS Pilot                        |           | •         | 1    |
| 3                                  | 098249-01 | ODS Nut                          |           |           | 2    |
| 4                                  | 104423-02 | Burner Outlet Tube               | •         | •         | 1    |
|                                    | 104423-01 | Burner Outlet Tube               |           | •         | 1    |
| 5                                  | 098264-02 | Male Connector                   | •         | •         | 1    |
| 6                                  | 111124-01 | Burner Retainer Spring           | •         | •         | 1    |
| 7                                  | 099056-19 | Burner Orifice Injector          | •         | •         | 1    |
|                                    | 099056-26 | Burner Orifice Injector          |           | •         | 1    |
| 8                                  | 102980-01 | Burner                           | •         | •         | 1    |
| 9                                  | 099387-13 | Pilot Tube                       | •         | •         | 1    |
|                                    | 099387-15 | Pilot Tube                       |           | •         | 1    |
| 10                                 | 103781-02 | Gas Control Valve                | •         | •         | 1    |
|                                    | 103781-01 | Gas Control Valve                |           | •         | 1    |
| 11                                 | 103345-02 | Lower Bracket                    | •         | •         | 1    |
| 12                                 | M11084-38 | Screw, #8 x 0.38                 | •         | •         | 7    |
| 13                                 | **        | Painted Base Assembly            | •         | •         | 1    |
| 14                                 | 098271-10 | Ignitor Cable                    | •         | •         | 1    |
| 15                                 | 102445-01 | Piezo Ignitor                    | •         | •         | 1    |
| 16                                 | 103587-02 | Plate, Switch                    | •         | •         | 1    |
| 17                                 | 098304-01 | Screw                            | •         | •         | 2    |
| 18                                 | 103784-04 | Flame Adjustment Knob Extension  | •         | •         | 1    |
| 19                                 | 103784-03 | Off-Pilot-On Knob Extension      | •         | •         | 1    |
| 20                                 | M12461-26 | Screw, Hex Slit Wsr 10-32 x 0.38 | •         | •         | 4    |
| 21                                 | 100609-01 | Pilot Tube (Regulator to Pilot)  | •         | •         | 1    |
| 22                                 | 099918-02 | Pilot Regulator                  | •         | •         | 1    |
| 23                                 | 103284-02 | Wiring Harness                   | •         | •         | 1    |
| 24                                 | 099998-01 | Switch                           | •         | •         | 1    |
| <b>PARTS AVAILABLE — NOT SHOWN</b> |           |                                  |           |           |      |
|                                    | 100563-01 | Warning Plate                    | •         | •         | 1    |
|                                    | 103877-01 | Lighting Instructions Plate      | •         | •         | 1    |
|                                    | 100565-01 | Warning Plate Fastener           | •         | •         | 1    |
|                                    | 101137-04 | Hardware Kit                     | •         | •         | 1    |

\*\*Not a field replaceable part.

# PARTS

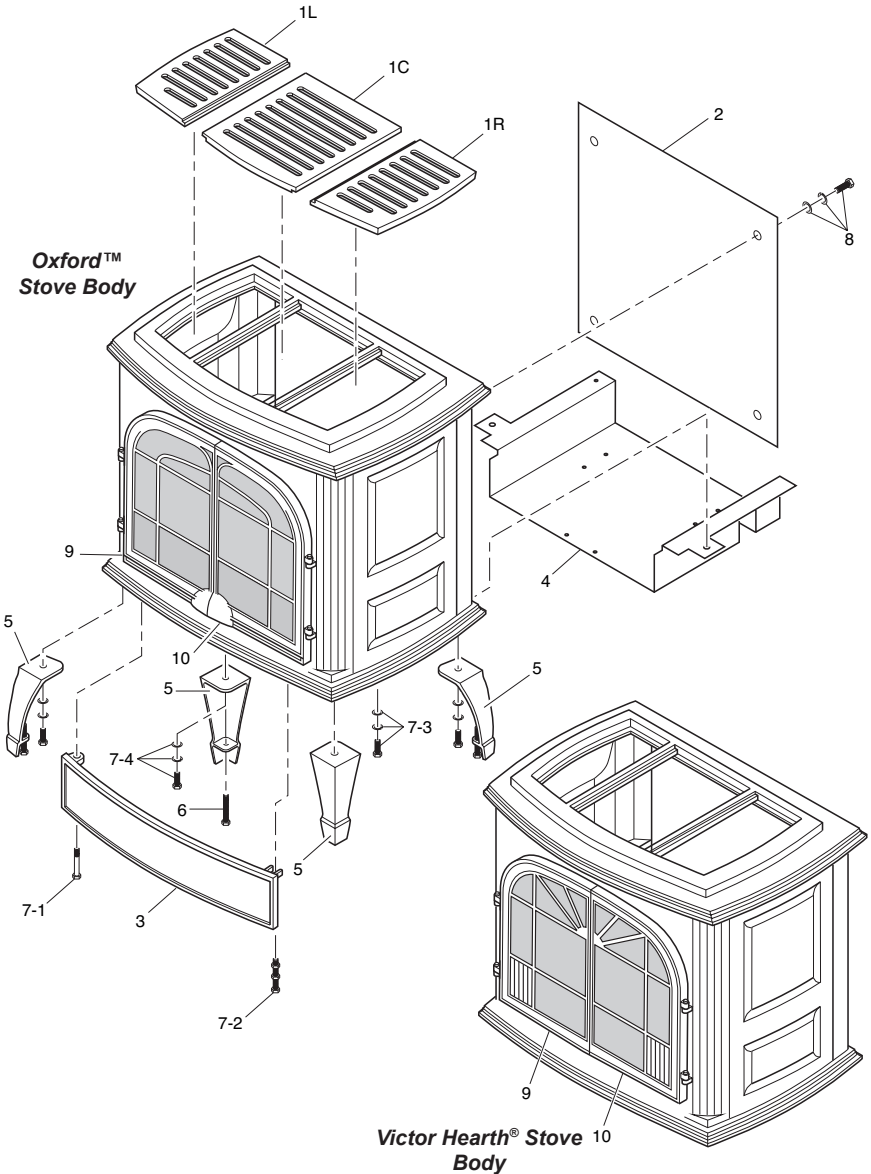
OXFORD™

VCIS(\*) SERIES AND PVCIS(\*) SERIES

VICTOR HEARTH®

VH(\*)A SERIES

(\* Indicates Color Suffix Designation)



## PARTS

### OXFORD™ VCIS(\*) SERIES AND PVCIS(\*) SERIES AND VICTOR HEARTH® VH(\*)A SERIES (\* Indicates Color Suffix Designation)

This list contains replaceable parts used in your heater. When ordering parts, follow the instructions listed under Replacement Parts on page 26 of this manual.

#### KEY

| NO.                                | PART NO.    | DESCRIPTION  | QTY |
|------------------------------------|-------------|--|-----|
| 1L                                 | 104171-11   | Top Grate with Screen - Left (Black Only)  | 1   |
| 1C                                 | 104171-08   | Top Grate with Screen - Center (Black Only)  | 1   |
| 1R                                 | 104171-12   | Top Grate with Screen - Right (Black Only)   | 1   |
| 2                                  | 111532-01CK | Stove Back Panel (Black Only)  | 1   |
| 3                                  | 104173-01   | Bottom Door (Charcoal)   | 1   |
|                                    | 104173-07   | Bottom Door (Porcelain Enamel Red)   | 1   |
|                                    | 104173-08   | Bottom Door (Porcelain Enamel Green)   | 1   |
|                                    | 104173-09   | Bottom Door (Porcelain Enamel Sand)  | 1   |
|                                    | 104173-23   | Bottom Door (Porcelain Enamel Black)   | 1   |
| 4                                  | 111531-02CK | Stove Dropped Bottom   | 1   |
| 5                                  | 104175-01   | One Leg (Charcoal) (4 Total Per Stove)   | 1   |
|                                    | 104175-07   | One Leg (Porcelain Enamel Red) (4 Total Per Stove)                                   | 1   |
|                                    | 104175-08   | One Leg (Porcelain Enamel Green) (4 Total Per Stove)                                 | 1   |
|                                    | 104175-09   | One Leg (Porcelain Enamel Sand) (4 Total Per Stove)                                  | 1   |
|                                    | 104175-44   | One Leg (Porcelain Enamel Black) (4 Total Per Stove)                                 | 1   |
| 6                                  | 104176-01   | Leg Leveler bolt M8 x 1.25 - 55 mm Long (4 Total Per Stove)                          | 1   |
| 7                                  | 104177-01   | Hardware Kit   | 1   |
| 7-1                                | **          | Door Hinge Step Bolt With Shoulder (1 Per Unit)                                      | 1   |
| 7-2                                | **          | Door Catch Bolt M8 x 1.25 - 55 mm Long With Two M8 Hex Nuts (1 Per Unit)             | 1   |
| 7-3                                | **          | Bottom Floor Bolts M6 x 1 - 25 mm Long With Flat Washer And Lock Washer (4 Per Unit) | 1   |
| 7-4                                | **          | Leg Bolts M8 x 1.25 - 20 mm Long With Flat Washer And Lock Washer (4 Per Unit)       | 1   |
| 8                                  | 104178-01   | Back Panel Bolts M6 x 1 - 20 mm Long With Flat Washer And Lock Washer (4 Per Unit)   | 1   |
| 9                                  | 113086-01   | Left Door, Black (Oxford™ Only)  | 1   |
|                                    | 113086-02   | Left Door, Porcelain Black (Oxford™ Only)  | 1   |
|                                    | 113086-03   | Left Door, Porcelain Green (Oxford™ Only)  | 1   |
|                                    | 113086-04   | Left Door, Porcelain Red (Oxford™ Only)  | 1   |
|                                    | 113086-05   | Left Door, Porcelain Sand (Oxford™ Only)   | 1   |
|                                    | 111972-01   | Left Door, Black (Victor Hearth® Only)   | 1   |
|                                    | 111972-02   | Left Door, Porcelain Enamel Black (Victor Hearth™ Only)                              | 1   |
|                                    | 111972-03   | Left Door, Porcelain Enamel Green (Victor Hearth™ Only)                              | 1   |
| 10                                 | 113087-01   | Right Door, Black (Oxford™ Only)   | 1   |
|                                    | 113087-02   | Right Door, Porcelain Black (Oxford™ Only)   | 1   |
|                                    | 113087-03   | Right Door, Porcelain Green (Oxford™ Only)   | 1   |
|                                    | 113087-04   | Right Door, Porcelain Red (Oxford™ Only)   | 1   |
|                                    | 113087-05   | Right Door, Porcelain Sand (Oxford™ Only)  | 1   |
|                                    | 111972-04   | Right Door, Black (Victor Hearth® Only)  | 1   |
|                                    | 111972-05   | Right Door, Porcelain Enamel Black (Victor Hearth® Only)                             | 1   |
|                                    | 111972-06   | Right Door, Porcelain Enamel Green (Victor Hearth® Only)                             | 1   |
| <b>PARTS AVAILABLE — NOT SHOWN</b> |             |  |     |
|                                    | 104108-01   | Touch-up Spray Paint 12 oz Can (Charcoal)  | 1   |
|                                    | 104807-01   | Touch-up Paint Bottle with Brush (Porcelain Enamel Red)                              | 1   |
|                                    | 104807-02   | Touch-up Paint Bottle with Brush (Porcelain Enamel Green)                            | 1   |
|                                    | 104807-03   | Touch-up Paint Bottle with Brush (Porcelain Enamel Sand)                             | 1   |
|                                    | 104807-04   | Touch-up Paint Bottle with Brush (Porcelain Enamel Black)                            | 1   |

\*\* Included In Hardware Kit