

REVISED STARTING
SERIAL # 120110087

PARTS LIST MANUAL

MODEL DS18



**GASOLINE
MODEL**

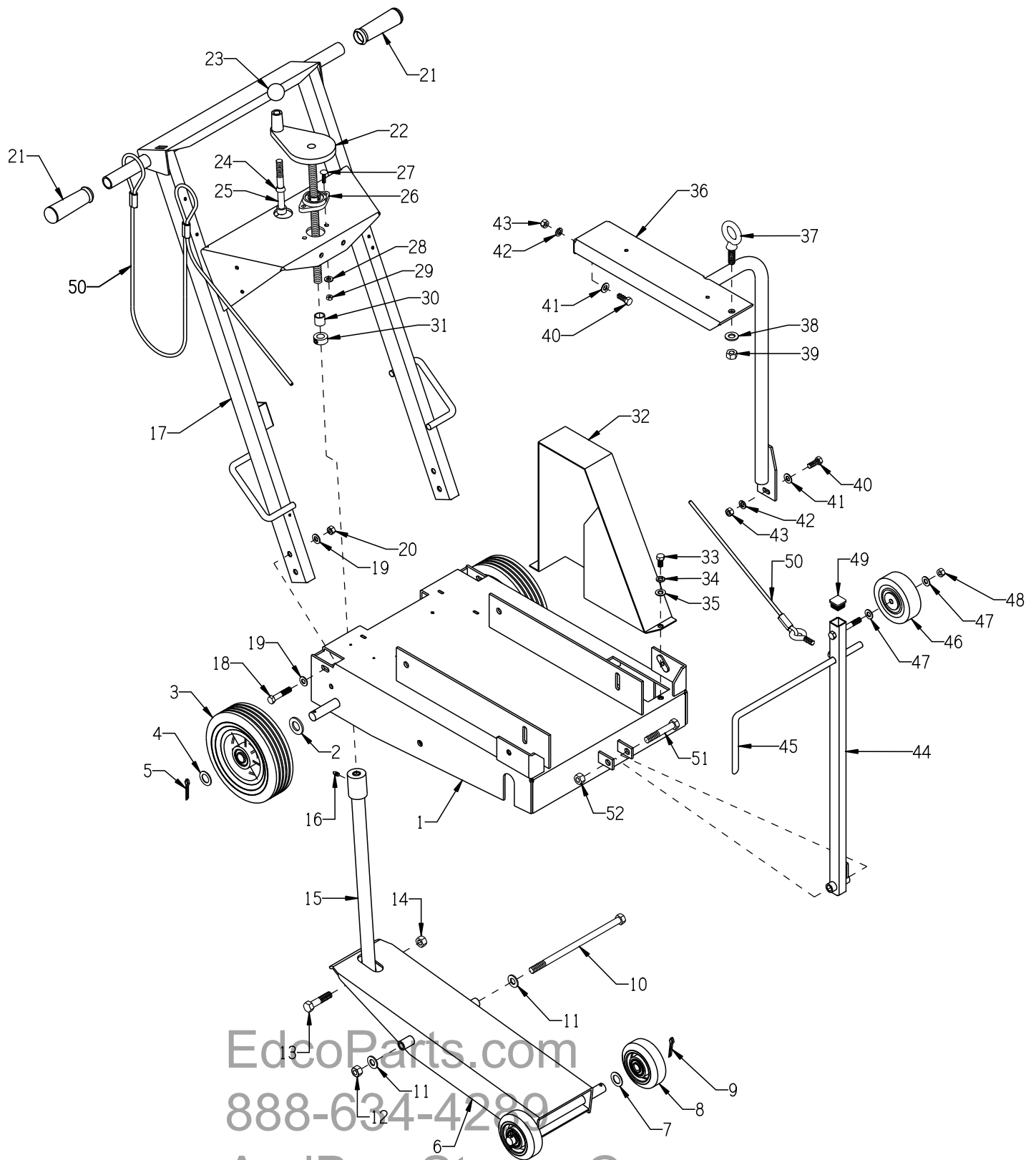
**ELECTRIC
MODEL**

18" DOWNCUT - CONCRETE AND ASPHALT WALK BEHIND SAWS

SKU #	MODEL #	POWER OPTION
37100	DS18-13H	HONDA GASOLINE ENGINE MODEL GX390U1-QXC9
37300	DS18-5B/230/1	BALDOR ELECTRIC MOTOR 5HP 1PH 60Hz 230V
37400-230	DS18-5B/230/3	BALDOR ELECTRIC MOTOR 5HP 3PH 60Hz 230V
37400-460	DS18-5B/460/3	BALDOR ELECTRIC MOTOR 5HP 3PH 60Hz 460V
37400-50/220	DS18-5B/50/220/3	BALDOR ELECTRIC MOTOR 5HP 3PH 50Hz 220V
37400-50/380	DS18-5B/50/380/3	BALDOR ELECTRIC MOTOR 5HP 3PH 50Hz 380V
37400-50/440	DS18-5B/50/440/3	BALDOR ELECTRIC MOTOR 5HP 3PH 50Hz 440V

An iBuy Stores Company

ILLUSTRATION 1: MAIN GROUPING



PARTS LISTING - ILLUSTRATION 1: MAIN GROUPING

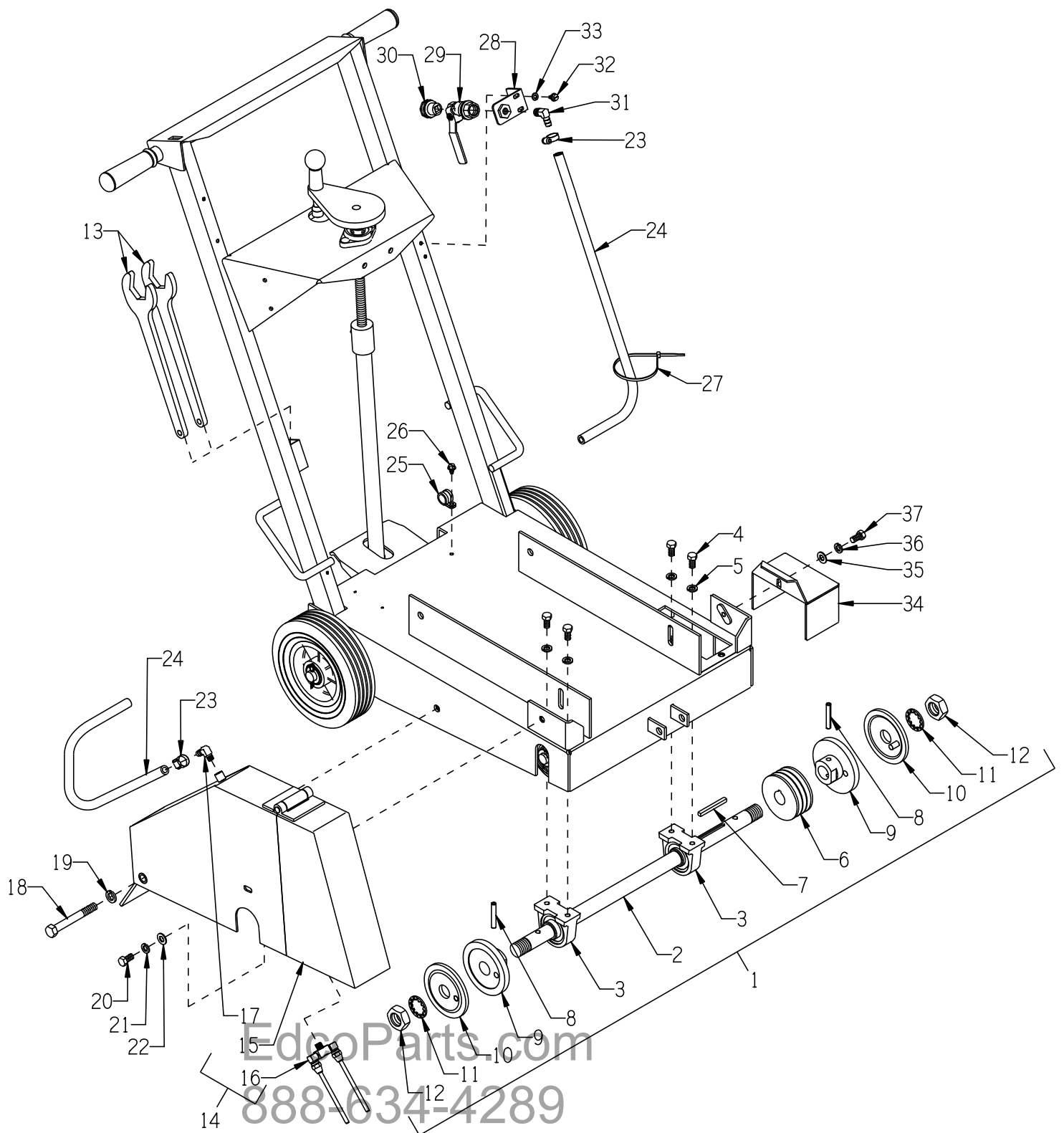
ITEM	PART #	DESCRIPTION	QTY.	ITEM	PART #	DESCRIPTION	QTY.
1	56301	MAIN FRAME, DS-18	1	27	10412	BOLT, CARRIAGE 1/4-20 X 1 FT	2
2	10009	WASHER, FLAT 3/4 SAE ZINC	2	28	10602	WASHER, FLAT 1/4 SAE ZINC	2
3	79013	WHEEL, 8 X 2-1/2 X 3/4"BRG. POLY HUB	2	29	10150	NUT, HEX NYLON LOCK 1/4-20	2
4	11597	WASHER .755"ID X 1.25"OD X .060"THK	2	30	55010	SPACER, HANDWHEEL 5/8"ID X 3/4"L	1
5	10306	PIN, COTTER 3/16 X 1-1/2	2	31	10096	COLLAR, LOCKING 5/8"ID	1
6	56302	FORK, DS-18	1	32	56206	COVER, BELT	1
7	11597 10009	WASHER .755"IDx1.25"ODx.060"THK WASHER, FLAT 3/4 SAE ZINC	AS R'D.	33	10907	SCREW, CAP 3/8-16 X 3/4	2
8	52001	WHEEL 4 X 1-1/2 X 3/4"BRG. ALUM/RUB	2	34	10811	WASHER, LOCK 3/8 ZINC	2
9	10306	PIN, COTTER 3/16 X 1-1/2	2	35	10025	WASHER, FLAT 3/8 SAE ZINC	2
10	65239	SCREW, CAP 1/2-13 X 10	1	36	56305	LIFTING BAIL, DS-18	1
11	10312	WASHER, FLAT 1/2 SAE ZINC	2	37	10837	BOLT, EYE 1/2-13 X 1-1/2 X 1-1/8"ID	1
12	10155	NUT, HEX NYLON LOCK 1/2-13	1	38	10312	WASHER, FLAT 1/2 SAE ZINC	1
13	10347	SCREW, CAP 1/2-20 X 2-1/4	1	39	10155	NUT, HEX NYLON LOCK 1/2-13	1
14	10154	NUT, HEX NYLON LOCK 1/2-20	1	40	10055	SCREW, CAP 3/8-16 X 1	3
15	56204	LINKAGE, CUT CONTROL	1	41	10025	WASHER, FLAT 3/8 SAE ZINC	3
16	10808	FITTING, GREASE 1/4-28 STR.	1	42	10811	WASHER, LOCK 3/8 ZINC	3
17	56303	HANDLE BAR, DS-18	1	43	10156	NUT, HEX NYLON LOCK 3/8-16	3
18	10317	SCREW, CAP 3/8-16 X 2	4	44	56304	GUIDE BAR, DS18	1
19	10025	WASHER, FLAT 3/8 SAE ZINC	8	45	51012	GUIDE POINTER, FRONT	1
20	10156	NUT, HEX NYLON LOCK 3/8-16	4	46	50024	WHEEL 4 X 1-3/8 X 3/8"BORE	1
21	10608	GRIP, HAND 1" MODEL AT	2	47	10025	WASHER, FLAT 3/8 SAE ZINC	2
22	51075	HANDWHEEL, LARGE W/ 5/8-8 X 13"ROD	1	48	10156	NUT, HEX NYLON LOCK 3/8-16	1
23	14023	KNOB, BALL 1-3/8 W/ 1/2-13THD	1	49	51078	PLUG, SQ. TUBE 1 X 14 GA., BLACK	1
24	50550	SLEEVE, BRASS 1/2" TAPERED	1	50	56221	ROPE, GUIDE BAR	1
25	10346	SCREW, SHC 1/2-13 X 4-1/2	1	51	10499	SCREW, CAP 1/2-13 X 3	1
26	80009	BEARING, BALL 5/8" 2-HOLE (NO G.F.)	1	52	10155	NUT, HEX NYLON LOCK 1/2-13	1

EdcoParts.com

888-634-4289

An iBuy Stores Company

ILLUSTRATION 2: ARBOR & BLADE GUARD GROUPING

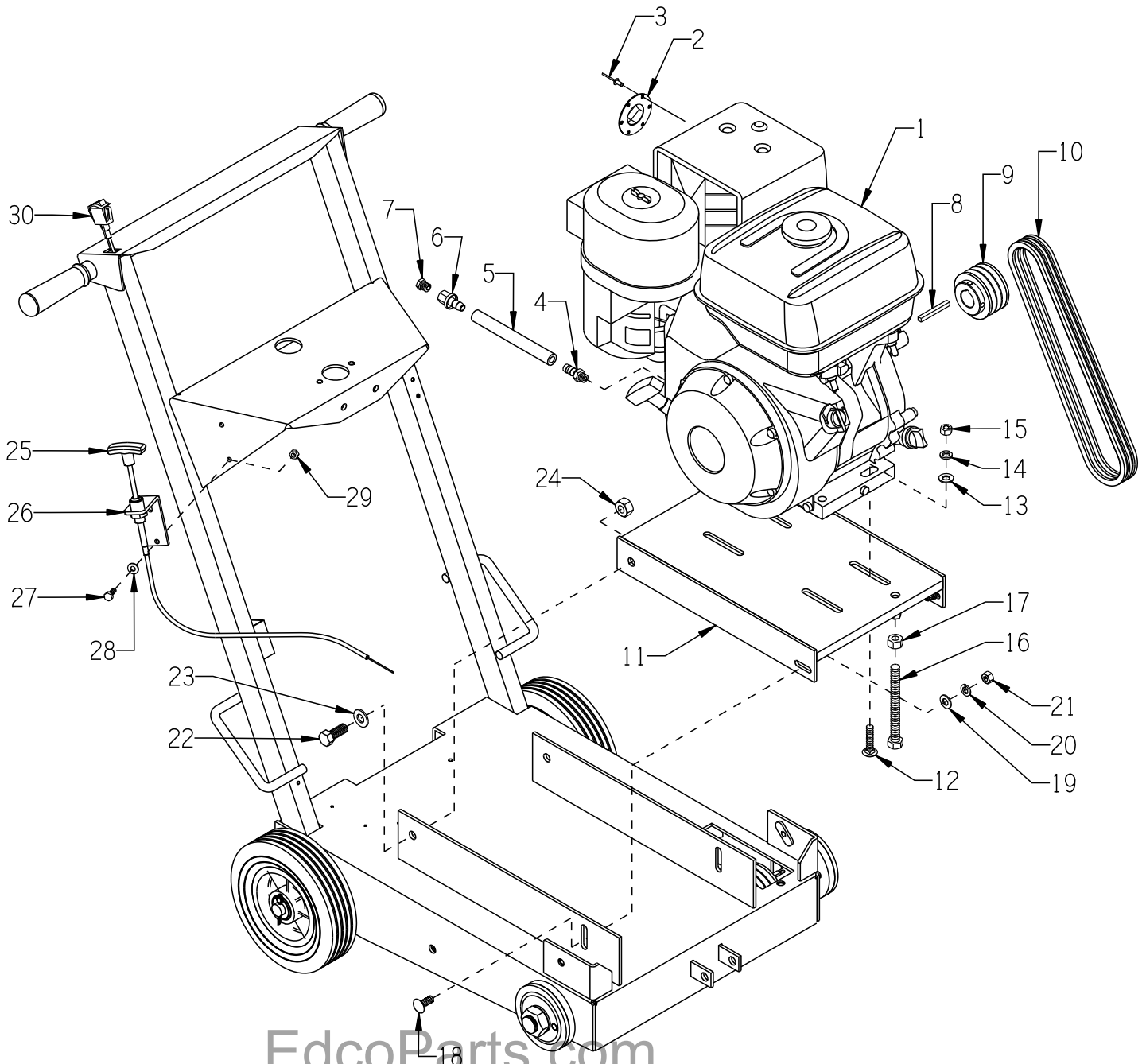


EdcoParts.com
888-634-4289

An iBuy Stores Company

PARTS LISTING - ILLUSTRATION 2: ARBOR & BLADE GUARD GROUPING			
ITEM #	PART #	DESCRIPTION	QTY.
1	56320A	ARBOR ASSY. COMPLETE, DS-18	1
2	56208	ARBOR SHAFT 23-3/8"L	1
3	50222	BEARING, BALL 1" TPB	2
4	10907	SCREW, CAP 3/8-16 X 3/4	4
5	10811	WASHER, LOCK 3/8 ZINC	4
6	56235	SHEAVE 3.35"OD X 3GR.3V X 1"BORE	1
7	10071	KEY 1/4SQ X 2-1/2	1
8	10211	PIN, ROLL 5/16 X 2	2
9	56308	ARBOR BACKING PLATE 4-1/2", DS-18	2
10	56309	ARBOR BLADE CAP 4-1/2", DS-18	2
11	55009	WASHER, LOCK, INT. TOOTH 1"	2
12	50019	NUT, HEX JAM 1-14 ZINC GRADE A	2
13	50445	WRENCH, ARBOR, 1-1/2" OPEN END	2
14	56306C	GUARD, BLADE 18", ASSY. COMPLETE (INCLUDES ITEM 15, 16, & 17)	1
15	56306	BLADE GUARD 18", DS-18	1
16	51026	NOZZLE, COOLANT 1/8MPT W/ 6"TUBES	1
17	11562	BARB ELBOW 90, 3/8HOSE X 1/8MPT	1
18	81001	SCREW, CAP 1/2-13 X 4	1
19	10045	WASHER, LOCK 1/2 ZINC	1
20	10907	SCREW, CAP 3/8-16 X 3/4	1
21	10811	WASHER, LOCK 3/8 ZINC	1
22	10025	WASHER, FLAT 3/8 SAE ZINC	1
23	50069	CLAMP, HOSE, SAE #6, ADJ. TO 13/16	2
24	56317	HOSE, WATER 3/8"ID X 48"L	1
25	11565	CLAMP, LOOM, 5/8" (SAE SIZE 10)	1
26	10846	SCREW, CAP STSHW 1/4-20 X 1/2	1
27	10982	TIE, CABLE, BLACK NYLON 11-1/4"	1
28	56022	BRACKET, WATER VALVE	1
29	10711	VALVE, BALL 1/2 FPT	1
30	80021	CONN., SWIVEL FEM. 3/4HOSE X 1/2MPT	1
31	10799	BARB ELBOW 90, 3/8HOSE X 1/4MPT	1
32	10846	SCREW, CAP STSHW 1/4-20 X 1/2	2
33	10038	WASHER, LOCK 1/4 ZINC	2
34	56307	COVER, ARBOR, DS-18	1
35	10025	WASHER, FLAT 3/8 SAE ZINC	1
36	10811	WASHER, LOCK 3/8 ZINC	1
37	10907	SCREW, CAP 3/8-16 X 3/4	1

ILLUSTRATION 3: ENGINE GROUPING



EdcoParts.com

888-634-4289

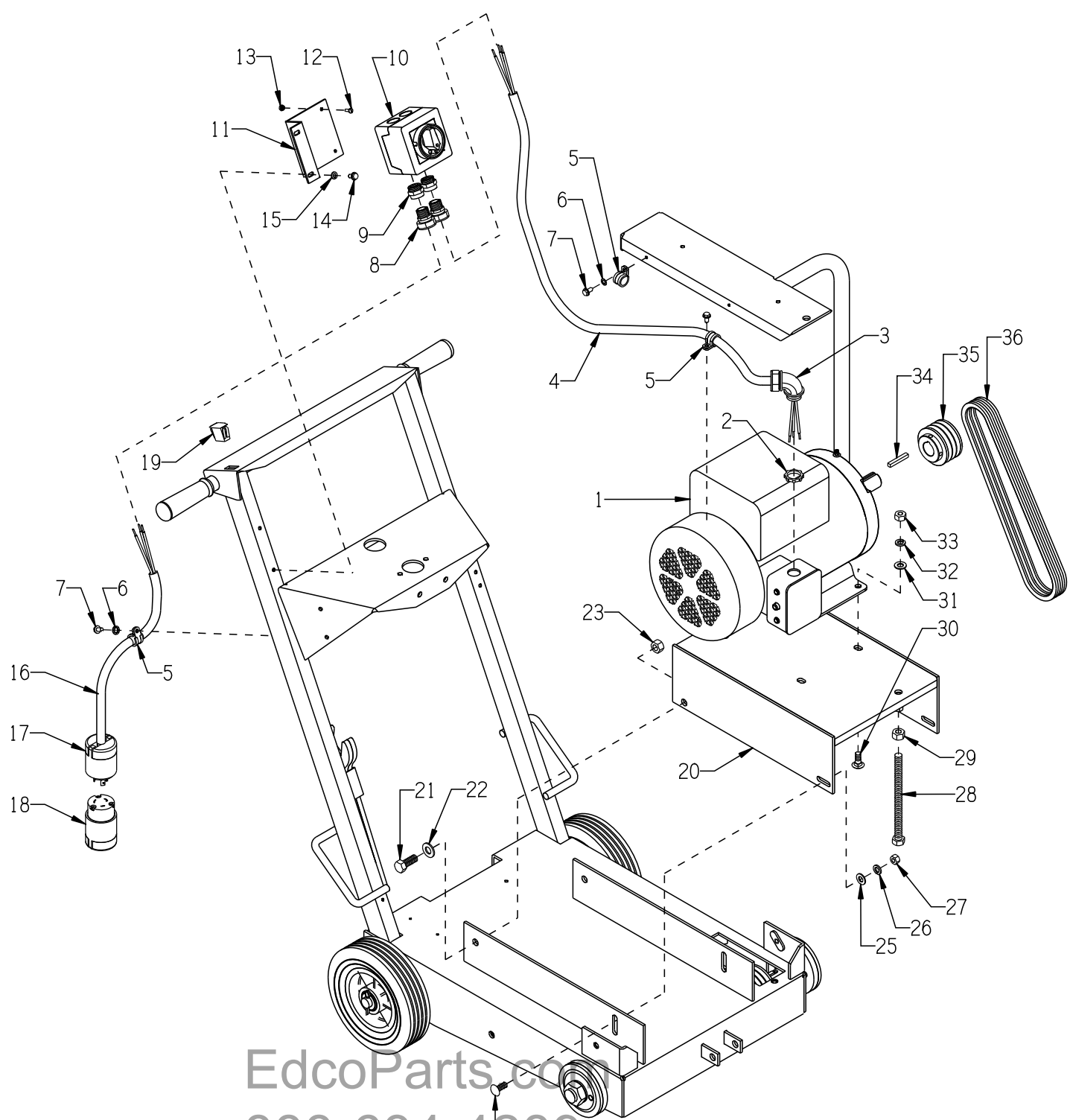
An iBuy Stores Company

PARTS LISTING - ILLUSTRATION 3: ENGINE GROUPING			
ITEM #	PART #	DESCRIPTION	QTY.
1	15029	ENGINE, HONDA GX390U1-QXC9 WITH CYCLONE AIR CLEANER	1
2	10625	MUFFLER CAP, HONDA #18331-ZE3-811	1
3	10128	RIVET, BLIND 1/8 X .275L X .250HD	2
4	11542	BARB, PUSH-ON 3/8HOSE X M12-1.5MALE	1
5	56226	HOSE, PUSH-ON 3/8"ID X 6"L	1
6	11544	BARB, PUSH-ON 3/8 HOSE X 1/4FPT	1
7	10776	PIPE PLUG 1/4 NPT (BRASS)	1
8	10307	KEY 1/4SQ X 2-1/4	1
9	65238	SHEAVE 2.8"OD X 3GR.3V X 1"BORE	1
10	10201	BELT 3VX-335	3
11	56212	MOUNT, ENGINE, DS-18	1
12	10087	BOLT, CARRIAGE 3/8-16 X 1-3/4 F.T.	4
13	10025	WASHER, FLAT 3/8 SAE ZINC	4
14	10811	WASHER, LOCK 3/8 ZINC	4
15	10404	NUT, HEX 3/8-16 ZINC	4
16	10392	BOLT, TAP 1/2-13 X 4 (FULL THREAD)	1
17	10417	NUT, HEX 1/2-13 ZINC	1
18	10802	BOLT, CARRIAGE 3/8-16 X 1 ZINC	2
19	10025	WASHER, FLAT 3/8 SAE ZINC	2
20	10811	WASHER, LOCK 3/8 ZINC	2
21	10404	NUT, HEX 3/8-16 ZINC	2
22	10321	SCREW, CAP 1/2-20 X 1-1/4	2
23	10312	WASHER, FLAT 1/2 SAE ZINC	2
24	10154	NUT, HEX NYLON LOCK 1/2-20 ZINC	2
25	51081	CABLE, TURN-TO-LOCK CONTROL 72" (CUT TO 24")	1
26	64075	MOUNT BRKT., THROTTLE CABLE	1
27	10018	SCREW, CAP 1/4-20 X 3/4	2
28	10602	WASHER, FLAT 1/4 SAE ZINC	2
29	10150	NUT, HEX NYLON LOCK 1/4-20 ZINC	2
30	15201A	SWITCH W/ WIRES, ROCKER RED ON-OFF ADDITIONAL PARTS REQ'D. (NOT SHOWN):	1
	50084	TERM., RING #10 16-14GA. INSULATED	1
	10877	SCREW, CAP STSHW 10-24 X 1/2	1
	10831	WASHER, LOCK, INT. TOOTH #10	1
	10970	CONN., WIRE QUICK-SPLICE 18-14 GA.	1
	36042	CLIP, NATURAL CORD, 1/8" X 1/4"	4

888-634-4289

An iBuy Stores Company

ILLUSTRATION 4: SINGLE PHASE MOTOR GROUPING



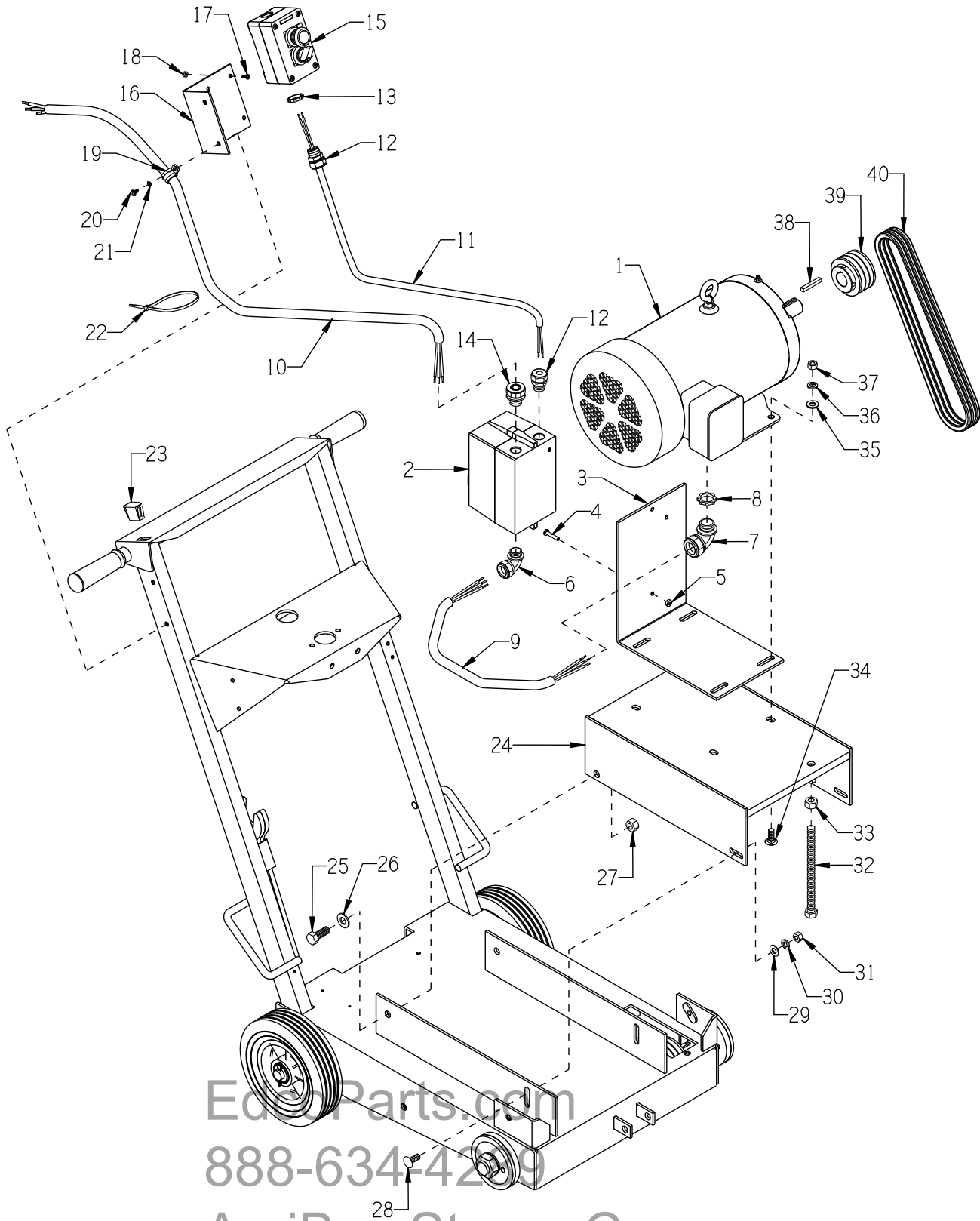
PARTS LISTING - ILLUSTRATION 4: SINGLE PHASE MOTOR GROUPING			
ITEM #	PART #	DESCRIPTION	QTY.
1	81026	MOTOR, BALDOR 5HP-1PH 60HZ 3450RPM L3608TM	1
	16121	REPLACEMENT PARTS: CAPACITOR, START, EC1161C06, 161-193MFD, 250V	2
	16164	CAPACITOR, RUN, OC3040F09SP, 40MFD, 370V	1
	16540	RESET BUTTON, BALDOR TPBRT25DB	1
2	10740	CONDUIT LOCK NUT 3/4 NP (INSIDE JUNCTION BOX)	1
3	16539	STRAIN RELIEF 90D X 3/4NPT .50-.625	1
4	56318	WIRE HARNESS 10/3 X 52"LOA, DS18	1
5	11565	CLAMP, LOOM, 5/8" (SAE SIZE 10)	4
6	10831	WASHER, LOCK, INT. TOOTH #10	3
7	10877	SCREW, CAP STSHW 10-24 X 1/2	3
8	41130	STRAIN RELIEF 1/2NPT X .550-.650"	2
9	77043-1	SWITCH ADAPTER, PG16 TO 1/2"NPT	2
10	77043	SWITCH, ROTARY CAM ON/OFF	1
11	77042	BRACKET, ROTARY CAM SWITCH	1
12	11663	SCREW, MACHINE 8-32 X 1/2 RHCD ZINC (INSIDE SWITCH BOX)	4
13	10462	NUT, KEPS LOCK 8-32 ZINC	4
14	10846	SCREW, CAP STSHW 1/4-20 X 1/2	2
15	10038	WASHER, LOCK 1/4 ZINC	2
16	86026	WIRE HARNESS 10/3 X 24"LOA	1
17	40037	PLUG, LOCKING 20A/250V L6-20P	1
18	40000	CONNECTOR, LOCKING 20A/250V L6-20C	1
19	15204	PLUG, RECT. HOLE, PLASTIC SNAP-IN	1
20	56313	MOUNT, MOTOR, DS-18	1
21	10321	SCREW, CAP 1/2-20 X 1-1/4	2
22	10312	WASHER, FLAT 1/2 SAE ZINC	2
23	10154	NUT, HEX NYLON LOCK 1/2-20 ZINC	2
24	10802	BOLT, CARRIAGE 3/8-16 X 1 ZINC	2
25	10025	WASHER, FLAT 3/8 SAE ZINC	2
26	10811	WASHER, LOCK 3/8 ZINC	2
27	10404	NUT, HEX 3/8-16 ZINC	2
28	51067	BOLT, TAP 1/2-13 X 7, GRADE 5	2
29	10417	NUT, HEX 1/2-13 ZINC	2
30	10819	BOLT, CARRIAGE 5/16-18 X 1 FULL THD	4
31	10213	WASHER, FLAT 5/16 SAE ZINC	4
32	10801	WASHER, LOCK 5/16 ZINC	4
33	10054	NUT, HEX 5/16-18 ZINC	4
34	10071	KEY 1/4SQ X 2-1/2	1
35	56314	SHEAVE 2.8"OD X 3GR.3V X 1-1/8"BORE	1
36	10269	BELT 3VX-400	3

EdcoParts.com

888-634-4289

AntiBuy Stores Company

ILLUSTRATION 5: THREE PHASE MOTOR GROUPING



EdcoParts.com

888-634-4209

An iBuy Stores Company

PARTS LISTING - ILLUSTRATION 5:**THREE PHASE MOTOR GROUPING**

ITEM #	PART #	DESCRIPTION	QTY.
1	81022	MOTOR, BALDOR 5HP-3PH-60HZ-230/460V EM3613T	1
	16020	MOTOR, BALDOR 5HP-3PH 50HZ-220/380/440V M3613T-50	1
2	16457	STARTER ACI #128844 200/240V COIL 11.3-16A O/L	1
	16458	STARTER ACI #128846 440/480V COIL 5.5-7.5A O/L	1
	16476	STARTER ACI 440/480V 7.2-10A O/L (USED FOR 50Hz-380V)	1
		REPLACEMENT PARTS:	
	16617	STARTER CONT./COIL ACI SK18.310-230	1
	16618	STARTER CONT./COIL ACI SK18.310-460	1
	16622	STARTER AC COIL 200/240V-60HZ, 190/220-50HZ	1
	16623	STARTER AC COIL 440/480V-60HZ, 380/415-50HZ	1
	16632	STARTER OVERLOAD RELAY 5.5-7.5 AMP	1
	16633	STARTER OVERLOAD RELAY 7.2-10.0 AMP	1
16635	STARTER OVERLOAD RELAY 11.3-16.0 AMP	1	
3	65087	MOUNT, STARTER, CPM-8/10 DS-16A/18	1
4	11732	SCREW, MACHINE 10-32 X 1-3/4 RHP	2
	10384	SCREW, MACHINE 10-32 X 1 RHP	1
5	10832	NUT, KEPS LOCK 10-32 ZINC	3
6	11621	STRAIN RELIEF 1/2"90D X .625-.750"	1
7	16539	STRAIN RELIEF 90D X 3/4NPT .50-.625	1
8	10740	CONDUIT LOCK NUT 3/4 NP	1
9	65108	WIRE HARNESS 10/4 X 32"LOA	1
10	65105	WIRE HARNESS 10/4 X 48"LOA	1
11	65140	WIRE HARNESS 16/2 X 48"LOA	1
12	16190	STRAIN RELIEF 1/2NPT X .250-.350"	2
13	10790	CONDUIT LOCK NUT 1/2 NP	1
14	41053	STRAIN RELIEF 1/2NPT X .625-.750"	1
15	16660	SWITCH BOX COMPLETE, ON/OFF/E-STOP INCLUDES:	1
	16661	ENCLOSURE, 2 HOLE ACI PBE2	1
	16662	LEGEND PLATE, EMER.STOP - BLACK	1
	16663	LEGEND PLATE, OFF/ON	1
	16664	MUSHROOM BUTTON, RED JR22GN11R	1
	16665	KNOB TYPE SELECTOR SWITCH, BLACK	1
16	65122	BRACKET, REMOTE SWITCH	1
17	11663	SCREW, MACHINE 8-32 X 1/2 RHCD ZINC (LOCATED INSIDE SWITCH BOX)	4
18	10462	NUT, KEPS LOCK 8-32 ZINC	4
19	11565	CLAMP, LOOM, 5/8" (SAE SIZE 10)	1
20	10846	SCREW, CAP STSHW 1/4-20 X 1/2	2
21	10038	WASHER, LOCK 1/4 ZINC	2
22	10982	TIE, CABLE, BLACK-NYLON 11-1/4"	4
23	15204	PLUG, RECT. HOLE, PLASTIC SNAP-IN	1

CONTINUED ON THE NEXT PAGE

PARTS LISTING CONTINUED FROM PAGE 13**ILLUSTRATION 5: THREE PHASE MOTOR GROUPING**

ITEM #	PART #	DESCRIPTION	QTY.
24	56313	MOUNT, MOTOR, DS-18	1
25	10321	SCREW, CAP 1/2-20 X 1-1/4	2
26	10312	WASHER, FLAT 1/2 SAE ZINC	2
27	10154	NUT, HEX NYLON LOCK 1/2-20 ZINC	2
28	10802	BOLT, CARRIAGE 3/8-16 X 1 ZINC	2
29	10025	WASHER, FLAT 3/8 SAE ZINC	2
30	10811	WASHER, LOCK 3/8 ZINC	2
31	10404	NUT, HEX 3/8-16 ZINC	2
32	51067	BOLT, TAP 1/2-13 X 7, GRADE 5	2
33	10417	NUT, HEX 1/2-13 ZINC	2
34	10820	BOLT, CARRIAGE 5/16-18 X 1-1/4 F.T.	4
35	10213	WASHER, FLAT 5/16 SAE ZINC	4
36	10801	WASHER, LOCK 5/16 ZINC	4
37	10054	NUT, HEX 5/16-18 ZINC	4
38	10071	KEY 1/4SQ X 2-1/2	1
39	56314	SHEAVE 2.8"OD X 3GR.3V X 1-1/8"BORE	1
40	10269	BELT 3VX-400	3

EdcoParts.com

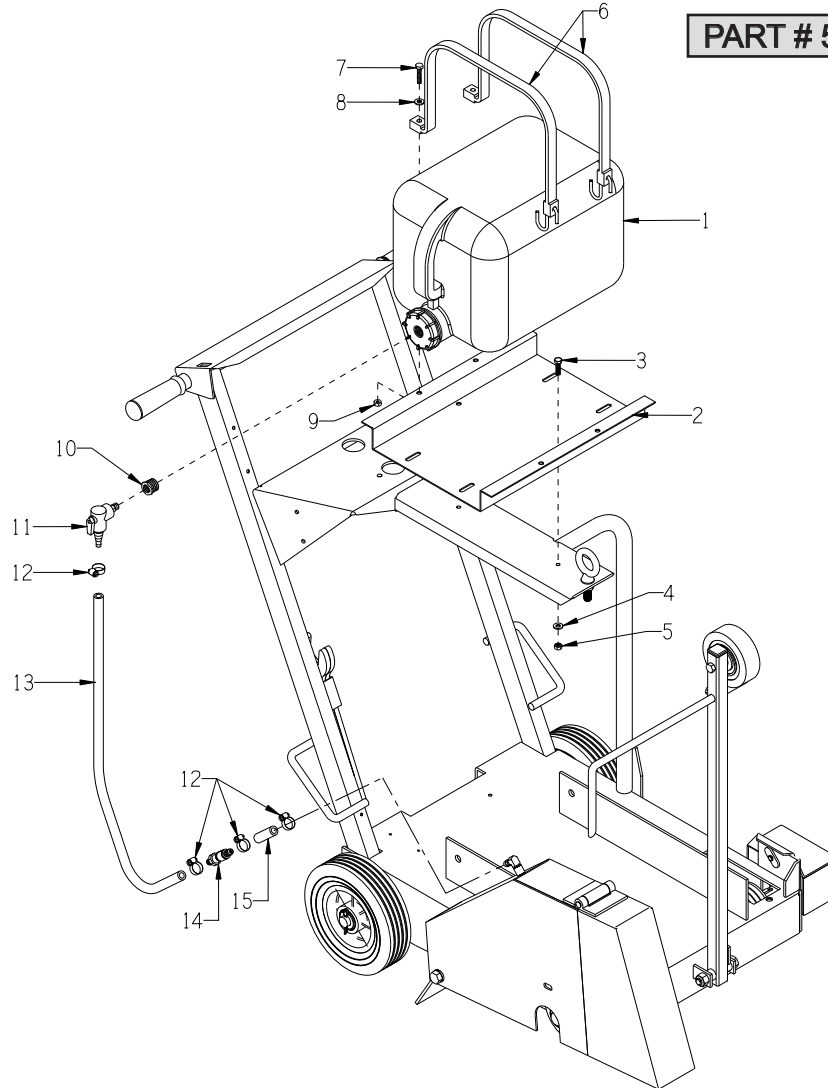
888-634-4289

An iBuy Stores Company

ILLUSTRATION 6: OPTIONAL WATER TANK ASSEMBLY

E-DS18-PL-0112

PART # 56310



ITEM #	PART #	DESCRIPTION	QTY.
1	52031	DRUM, PLASTIC 5 GALLON, 3/4NPT CAP	1
2	56311	TRAY, WATER TANK, DS-18	1
3	10031	SCREW, CAP 1/4-20 X 1	2
4	10602	WASHER, FLAT 1/4 SAE ZINC	2
5	10150	NUT, HEX NYLON LOCK 1/4-20 ZINC	2
6	52035	TIE-DOWN STRAP, MOLDED RUBBER 24"	2
7	10905	SCREW, CAP 1/4-20 X 1-1/4	2
8	10602	WASHER, FLAT 1/4 SAE ZINC	2
9	10150	NUT, HEX NYLON LOCK 1/4-20 ZINC	2
10	52034	BUSHING, HEX 3/4 X 1/4 NPT NYLON	1
11	56312	VALVE, BALL PVC 90° A 1/4MPT X BARB	1
12	50069	CLAMP, HOSE, SAE #6, ADJ. TO 13/16	4
13	56315	HOSE, WATER 3/8"ID X 24"L	1
14	11637	COUPLING, QUICK-DISCONNECT 3/8"	1
15	56316	HOSE, WATER 3/8"ID X 2"L	1

888-634-1289
 EcoParts.com
 AirBuy Stores Company

DECALS



CHECK OIL DAILY

THROTTLE

exceeds 85dBA

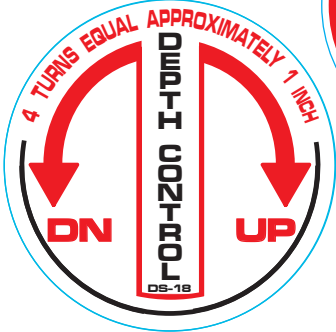


CALIFORNIA PROPOSITION 65 WARNING
The engine exhaust from this product contains chemicals known to the State of California to cause cancer, birth defects or other reproductive harm.



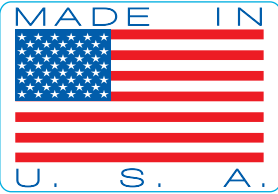
⚠ DANGER
BEFORE CUTTING INTO ANY SURFACE, INSURE THERE ARE NO BURIED GAS, ELECTRICAL, HIGH PRESSURE AIR, SEWER OR WATER LINES

NOTE: Locate this decal so it is visible from operator's position



IMPORTANT NOTE:
Make sure the ON/OFF power switch is in the OFF position before pressing the reset button on the motor. Failure to do so could cause bodily harm and damage to the machine and/or work surface.

IMPORTANT NOTE:
Failure to do so could cause bodily harm and damage to the machine and/or work surface.



GREASE BEARINGS DAILY



YOU MUST READ OPERATOR'S INSTRUCTION MANUAL BEFORE OPERATING



EdcoParts.com
888-634-4289

WARNING
THERE IS NO OIL IN THIS MACHINE



DECALS

RESET

OFF

ON

STOP

ROTATION NOTATION

230 VOLTS

SINGLE PHASE

460 VOLTS

THREE PHASE

Electric-1 4 x 7
P/N 92206 Rev. A

Voltage Decals 8.5 x 11
P/N 92207

110 VOLTS

220 VOLTS

380 VOLTS

415 VOLTS

440 VOLTS

460 VOLTS

480 VOLTS

575 VOLTS

THREE PHASE

GROUND **GROUND**

GROUND **GROUND**

Reset Switch
P/N 91332

P/N 91332

IMPORTANT NOTE:
Make sure the ON/OFF power switch is in the **OFF** position before pressing the reset button on the motor. Failure to do so could cause bodily harm and damage to the machine and/or work surface.

NOTE:
Locate this decal so it is visible, close to and pointing at the **MANUAL RESET** button located on the motor

Reset Switch
P/N 91333

P/N 91333

IMPORTANT NOTE:
Make sure the ON/OFF power switch is in the **OFF** position before pressing the reset button on starter box. Failure to do so could cause bodily harm and damage to the machine and/or work surface.

NOTE:
Locate this decal so it is visible, close to and pointing at the **MANUAL RESET** button located on starter box

CAUTION

GENERATOR SIZE REQUIREMENT

RATE GENERATOR AT 3 TIMES MOTOR RATED HORSEPOWER

NOTE: Locate this decal so it is visible from operator's position on all electric machines

PN: 91326