

**PORTABLE MAGNETIC DRILLS**

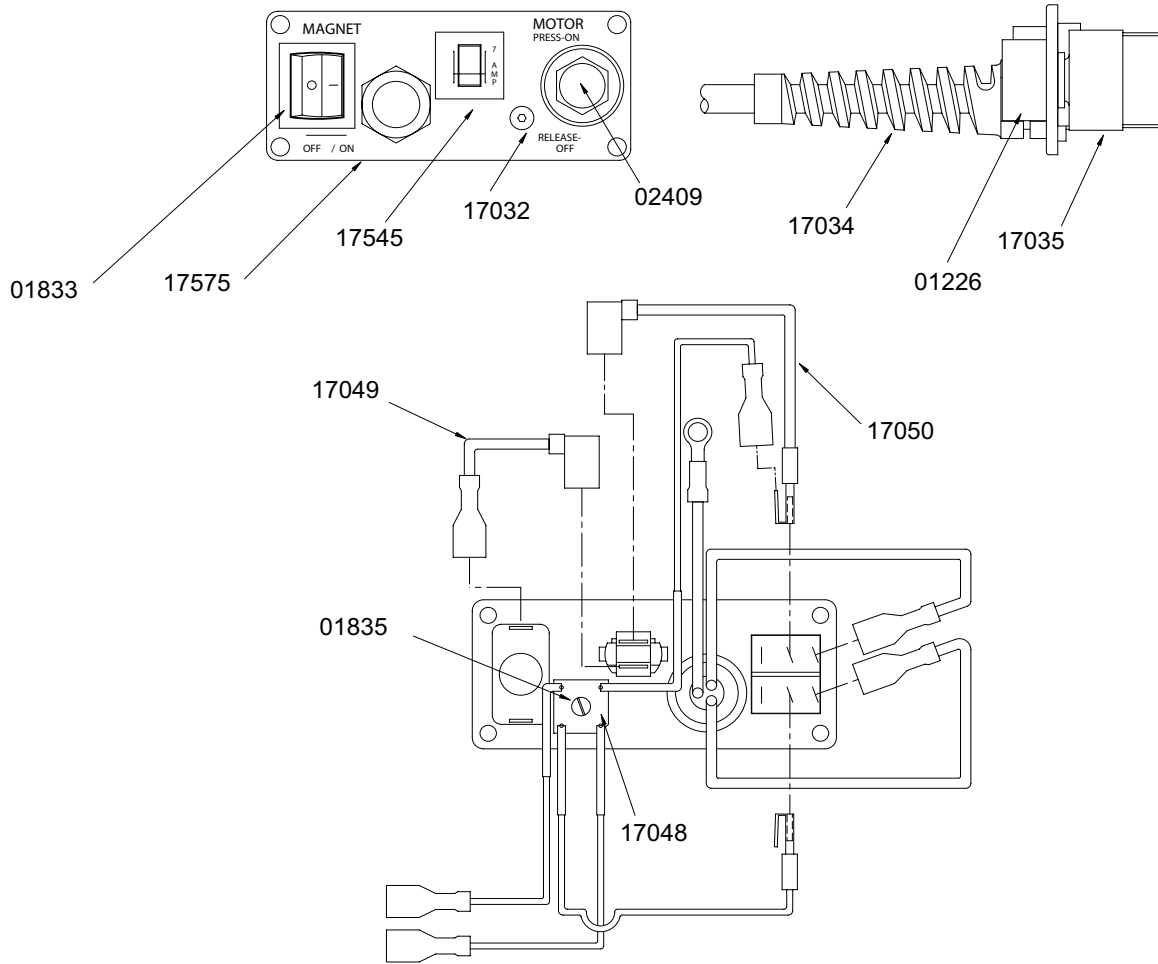
**OPERATOR'S MANUAL**

**HMD115**



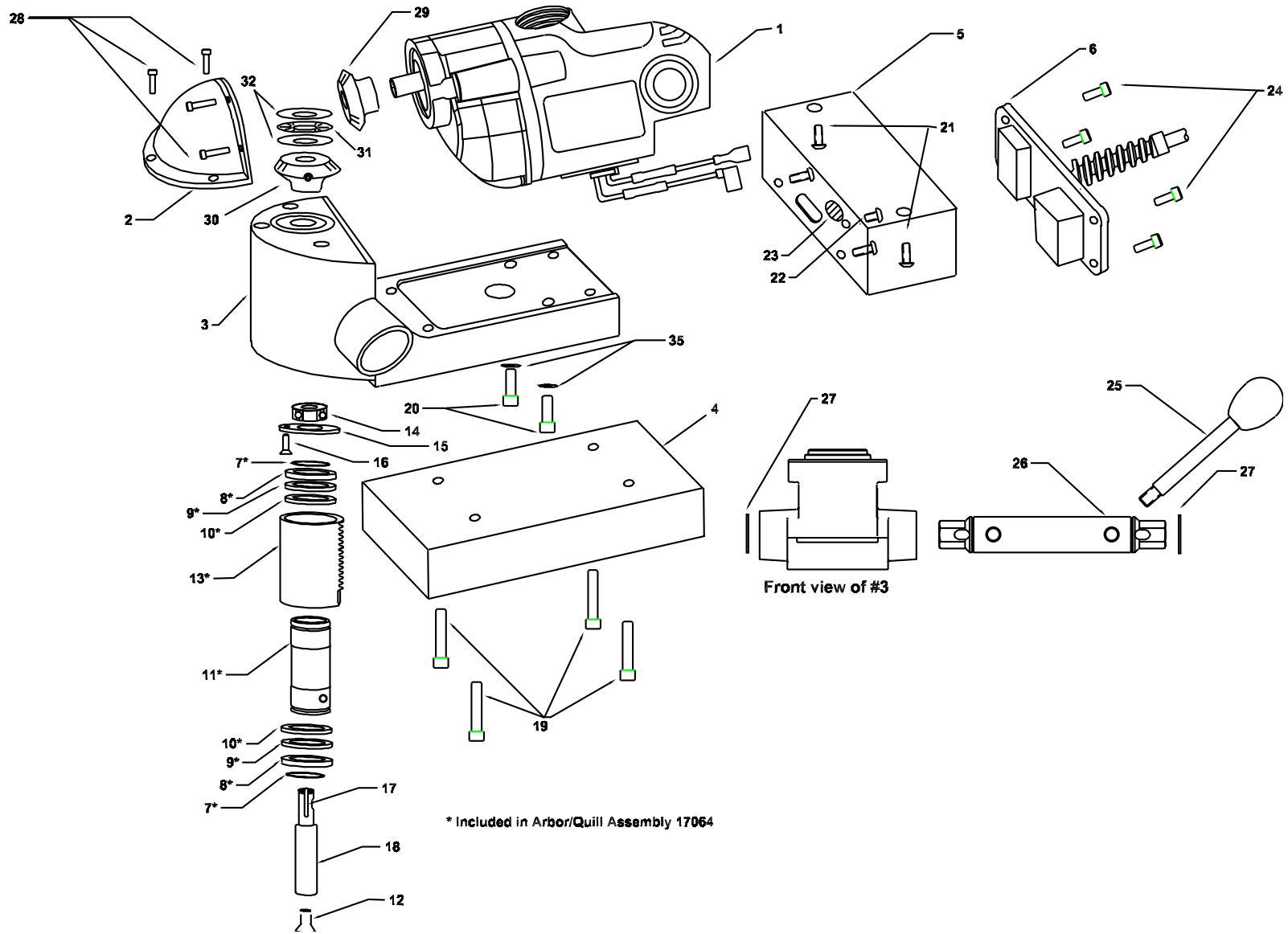
**FOR USE WITH "17,000-SERIES" ROTABROACH CUTTERS**

# CONTROL PANEL /HOOKUP DIAGRAM



Part No.	Description	Qty. Req'd.
01226	Guard- Pushbutton Switch	1
01833	Switch-Rocker DPST	1
01835	Nut-Nylon Slotted	1
02409	Seal-Switch Green	1
17032	Screw BHC #6-32	1
17034	Power Cord Assembly	1

Part No.	Description	Qty. Req'd.
17035	Switch - Momentary	1
17048	Rectifier Assembly	1
17049	Jumper Wire Assy.	1
17050	Jumper Wire Assy.	1
17545	Circuit Breaker 7 Amp.	1
17575	Cover With Label	1



HMD115 DRILL PARTS DIAGRAM

## HMD115 PARTS LIST

Item No.	Part No.	Description	Qty. Req'd.
1	17514	Motor Assembly	1
2	17510	Gear Cap Assembly	1
3	17525	Housing Assembly	1
4	17029	Magnet Assembly	1
5	17042	Electrical Box	1
6	17540	Control panel Assembly	1
7	17019	O.D. Spiral Lock	2
8	17018	Thrust Washer Steel	2
9	17546	Thrust Washer Bronze	2
10	17547	Thrust Washer Steel	2
11	17070	Arbor Assembly	1
12	17015	Screw, FHS 1/4-28	1
13	17069	Quill Assembly	1
14	17010	Ball Bearing	1
15	17509	Washer, Bearing Ret.	1
16	04409	Screw, FHC #6-32	3
17	17513	Key	1
18	17501	Splined Shaft	1
19	40108	Screw, SHC 1/4-20	4
20	75096	Screw, SHC M6	2
21	75094	Screw, SHC M5	4
22	04439	Screw, BHS #10-32	1
23	17557	Ground Label	1
24	41042	Screw, BHC #8-32	4
25	17071	Feed Handle Assembly	2
26	17022	Feed Gear	1
27	17023	Snap Ring	2
28	17002	Screw, SHC #6-32	7
29	17504	Gear Assy., Right Hand	1
30	17502	Gear, Left Hand	1
31	17516	Thrust Bearing	1
32	17517	Thrust Washer	2
33	17039	Spring Plunger (not shown)	1
35	50035	Lock washer	2
<b>Part Number 17064 (Arbor/Quill Assembly includes part# 7,8,9,10,11 and 13)</b>			

## HOUGEN HOLEMAKING PRODUCTS

### “17,000-Series” Rotabroach Cutters for HMD115”

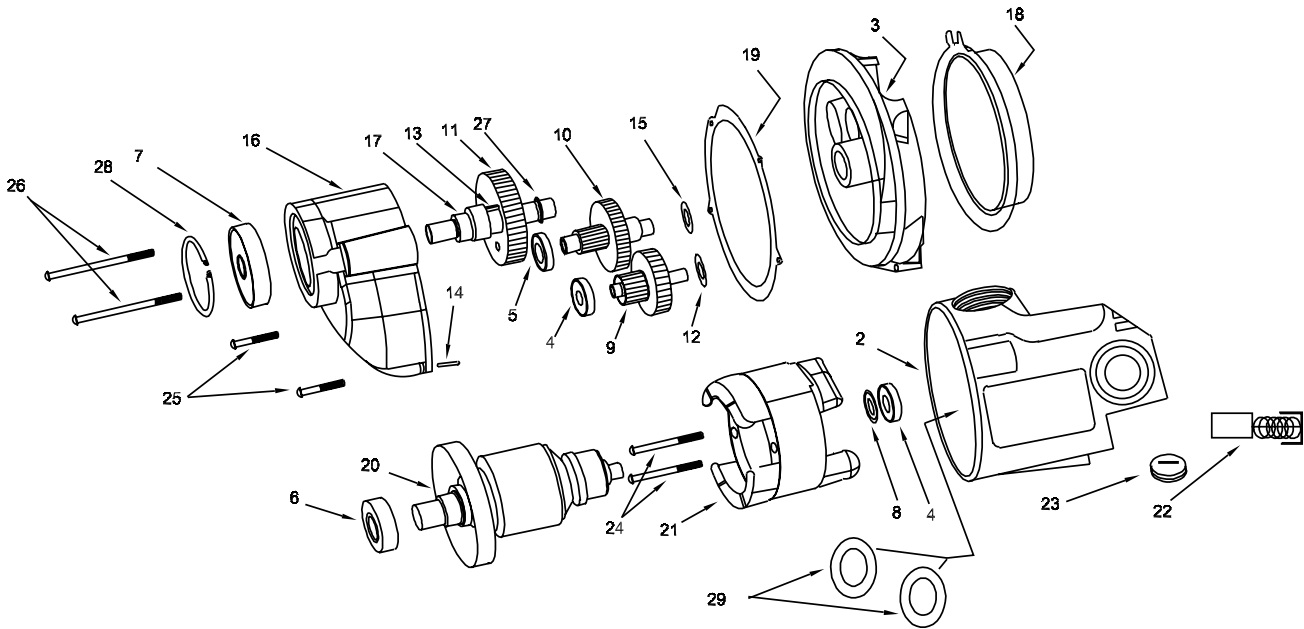
The “17,000-Series” Rotabroach Annular cutters are made specifically for the HMD115. They are equipped with 5/8” tool-less quick release shank, and can drill up to 3/4” deep in single or stacked plate. They are made of premium high speed steel and available in diameters from 1/2” to 1-1/16”.

### “17,000” Series Cutter Kit - Hougén part number 17001”

**Kit includes all 10 cutters listed plus 2 pilots all in a handy case. Contact your local distributor for pricing**

Part No.	Diameter
17116	1/2"
17118	9/16"
17120	5/8"
17122	11/16"
17124	3/4"
17126	13/16"
17128	7/8"
17130	15/16"
17132	1"
17134	1-1/16"

# Motor Diagram and Parts List



Item No.	Part No.	Description	Qty. Req'd.
	17514	Motor Assembly	1
2	17600	Field Case	1
3	17601	Gear Housing Cover	1
4	17602	Ball Bearing	2
5	17603	Ball Bearing	1
6	17604	Ball Bearing	1
7	17605	Ball Bearing	1
8	17606	Dust Seal	1
9	17607	1st. Inter. Gear Assembly	1
10	17608	2nd. Inter Gear Assembly	1
11	17609	Spur Gear	1
12	17610	Flat washer	1
13	17611	Key	1
14	17612	Dowel Pin	1

Item No.	Part No.	Description	Qty. Req'd.
15	17613	Flat Washer	1
16	17614	Gear Housing	1
17	17616	Spindle	1
18	17617	Fan Guide	1
19	17618	Gasket	1
20	17630	Armature	1
21	17628	Field	1
22	17621	Carbon Brush	2
23	17622	Brush cap	2
24	17623	Pan Head Screw (Field)	2
25	17624	Pan Head Screw (Short)	2
26	17625	Pan Head Screw (Long)	2
27	17626	Retaining Ring	1
28	17627	Retaining Ring	1
29	17632	Paper Washer	2

# Hougen Holemaking Products

## Rotabroach Portable Magnetic Drills

Rotabroach ® .. the Work Anywhere Portable Magnetic Drills. No matter what you do - fabricate, install, maintain, repair, retrofit, or manufacture, Hougen Rotabroach Portable Magnetic Drills put superior holemaking capabilities in your hands. On site, at- the- work drilling that's easier, faster, and safer, wherever electrical power is available.

A series of twelve models lets you custom match power and features to your specific application needs. You can choose from economical light duty models for drilling holes up to 1-3/8" diameter and 2" depth of cut, while others have the might to produce 3-1/16" holes through 3" thick material. Some with power feed, some with multi-speed spindles. But all have incomparable performance for fast drilling, maneuverability, and lightness, resulting in minimal operator fatigue, fast setups, and improved productivity.

With Rotabroach Portable Magnetic Drills, you save time by no longer moving large, heavy structures to machines or using hand-held drills that can be inaccurate and tiring.

Model	Description	Max. Capacity		Cutter Series
		Dia.	Depth	
10904	Complete Drill w/Case 450 RPM Motor 115V	1-3/8"	2"	"12,000"
HMD500	Complete Two-Speed Drill w/Case 115V	2-3/8"	3"	
10908	Complete Drill w/Case 450 RPM Motor 230V	1-3/8"	2"	
10909	Complete Drill 350 RPM Motor 230V	2-1/16"	3"	
10909S	Complete Drill 350 RPM Motor 230V			
10914	Complete Drill 350 RPM Motor 115V			
10914S	Complete Drill 350 RPM Motor 115V			
10925	Power Feed 350 RPM Motor 115V			
10926	Power Feed 350 RPM Motor 230V			
10915	Complete Multi-Speed Drill 115V	3-1/16"	3"	
10916	Complete Multi-Speed Drill 230V			"43,000"

### Commercial / Industrial Limited Warranty