

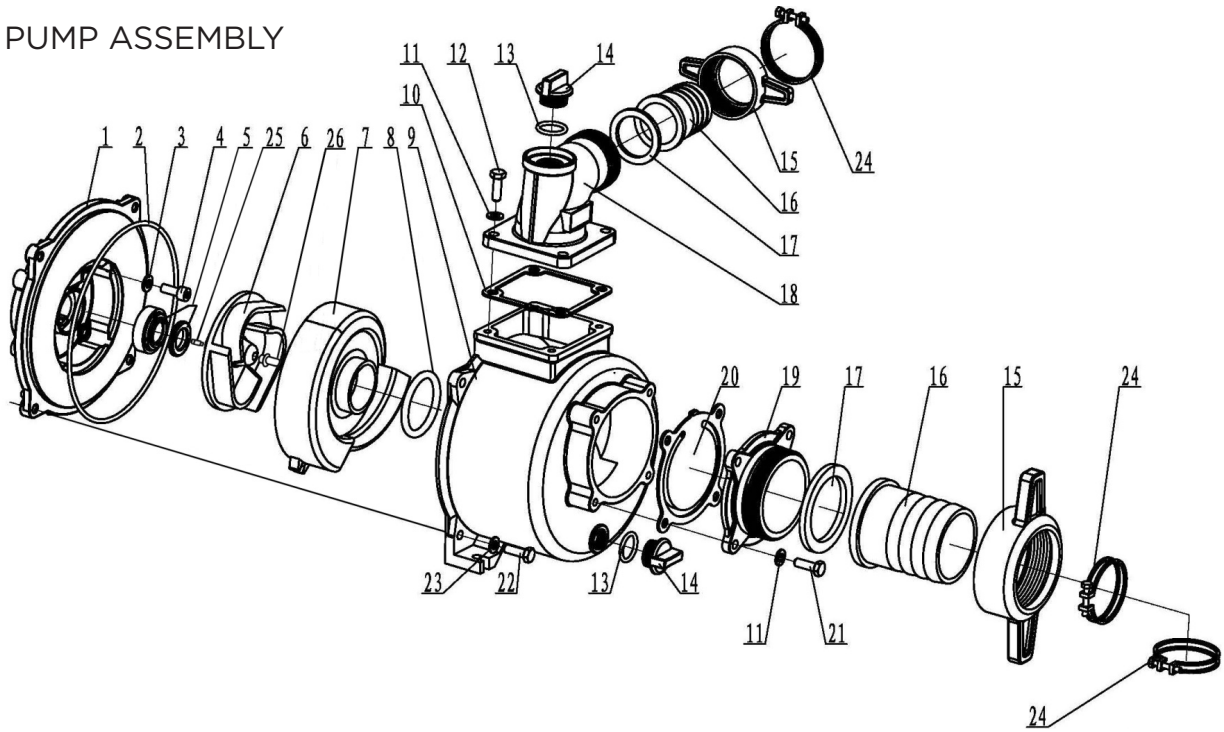


# WATER PUMP BREAK-DOWN

WP4013H



## WATER PUMP ASSEMBLY



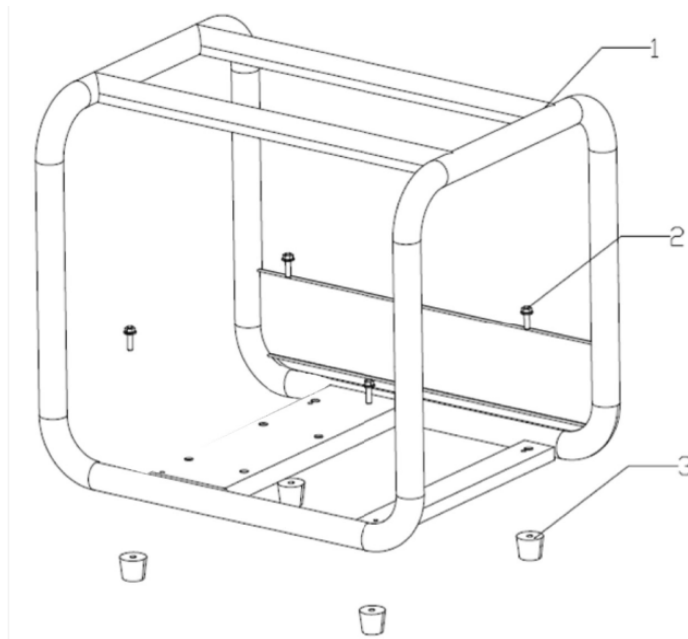
PUMP ASSEMBLY			85.150.204RS/ WP4013H	85.150.204/ WP-4013HR	
REF #	DESCRIPTION	QTY	BE PART #	NAME	BE PART #
1	Pump cover	1	50.004.207	PUMP JOINT	85.571.158
2	O ring 250x3.5	1	50.004.202	SEAL SET	85.571.150
3	Sealed washer	4			
5	Mechanical seal	1			
8	O ring 96x6	1			
10	Outlet's sealed washer	1			
20	Check valve	1			
6	Impeller	1			
7	Diffuser	1	50.004.205	WHORL CASE	85.571.157
9	Pump body	1	50.004.206	PUMP BODY	85.571.156
4	Hexangular bolt M8x45*	4	50.004.200	HARDWARE SET	
11	Washer	8			
12	Hexangular bolt M10x30	4			
21	Hexangular bolt M10x25	4			
22	Hexangular bolt M10x30	4			
23	Washer	4			
25	Key	1			
26	Bolt & Washer	1			
	M10X45 FLANGE BOLT G8.8 ZP	4			
	M10x30, grade	2			
	Serrated Nut	6			



# WATER PUMP BREAK-DOWN WP4013H

13	O ring 23.6x3.55	2	50.002.203	PLUG SET	50.002.203
14	Whorl Plug	2			
18	Outlet flange	1	50.004.204	INLET/OUTLET SET	85.571.151
19	Inlet flange	1			
15	Spanner	2			
16	Pipe	2			
17	Sealing washer	2			
24	Clamp	3			

## FRAME ASSEMBLY



REF #	DESCRIPTION	QTY	BE PART #	NAME
1	SPARE PART OF FRAME	1	50.004.002	FRAME, 4" WP BLACK
2	M6X20 FLANGE HEX BOLT	4	50.002.205	FRAME SHOCK ABSORBER ASSY
3	RUBBER WASHER	4		