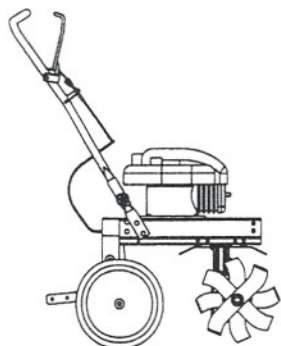


THE BADGER

Gear Drive Rototiller

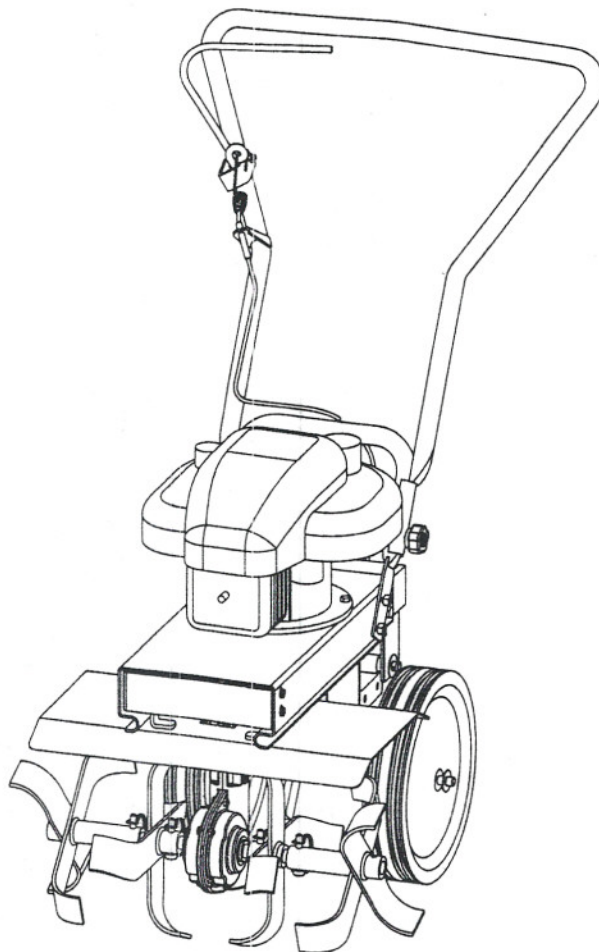
Operator's Manual



Transport Position



Operating Position



Includes Models

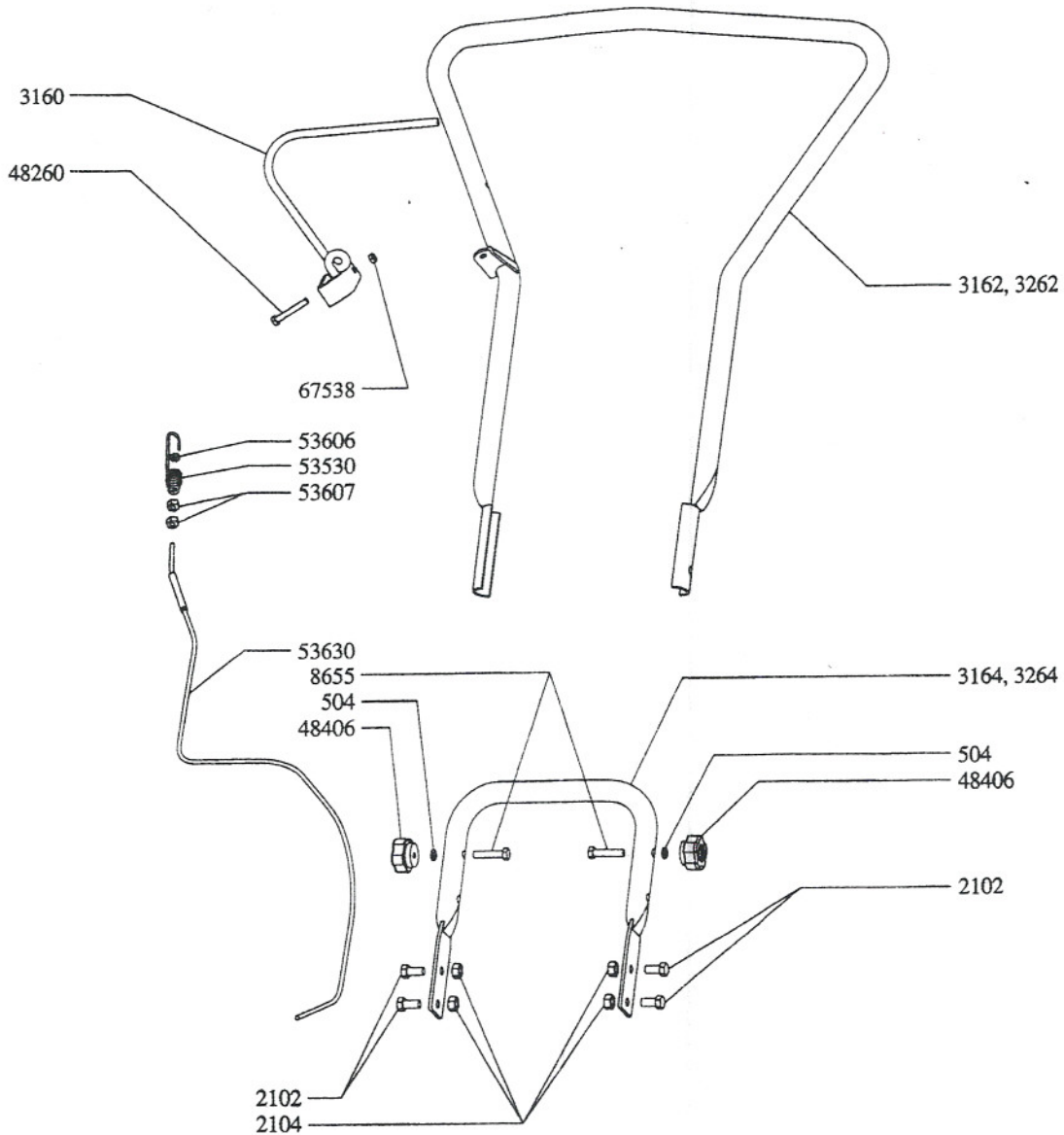
3100-3100GS

3200-3200GS

OM3100
Rev. 2/01

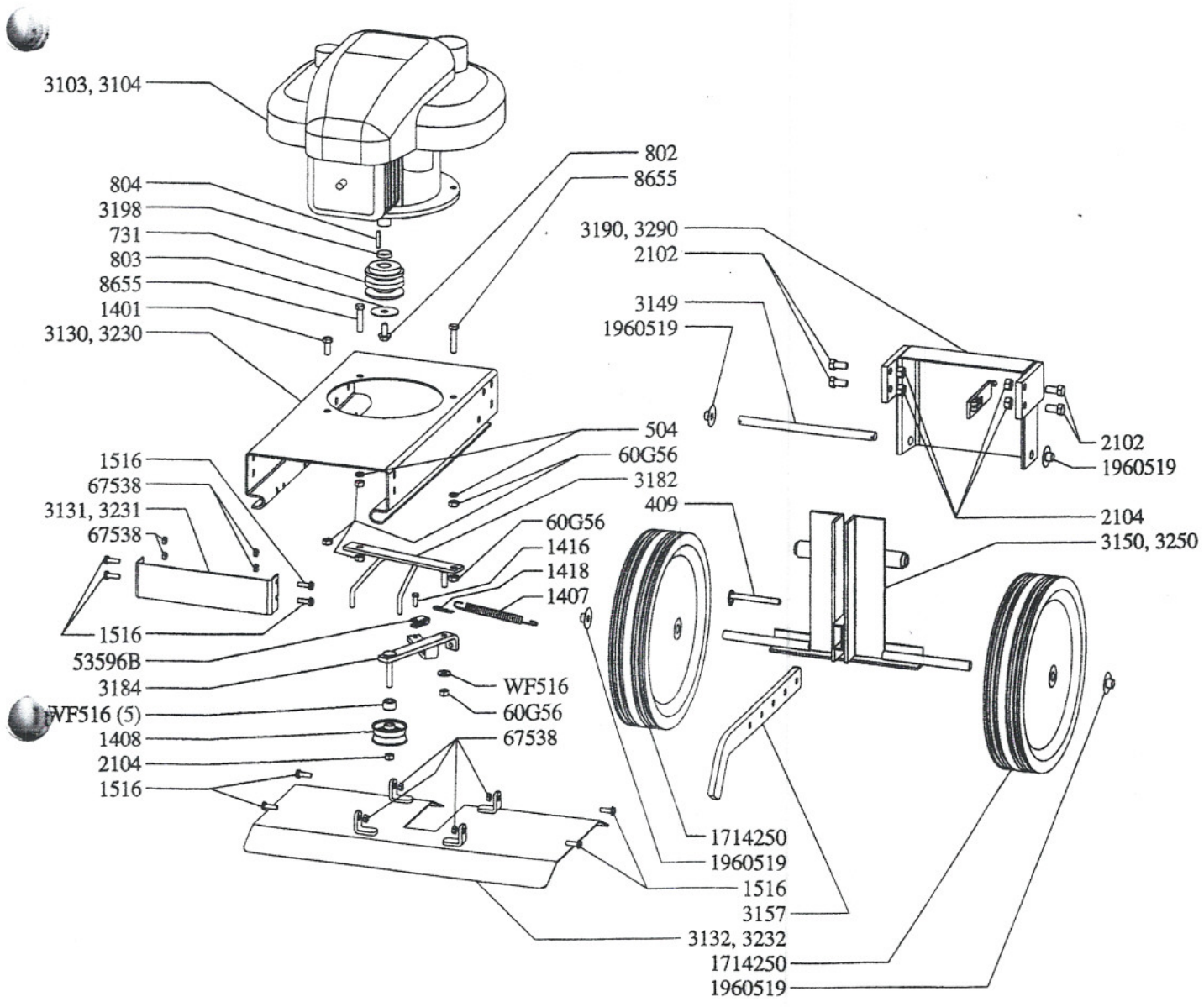
© Copyright 2001 Ardisam, Inc.
All Rights Reserved. Printed in USA.

3100/3200 Handlebar Assembly



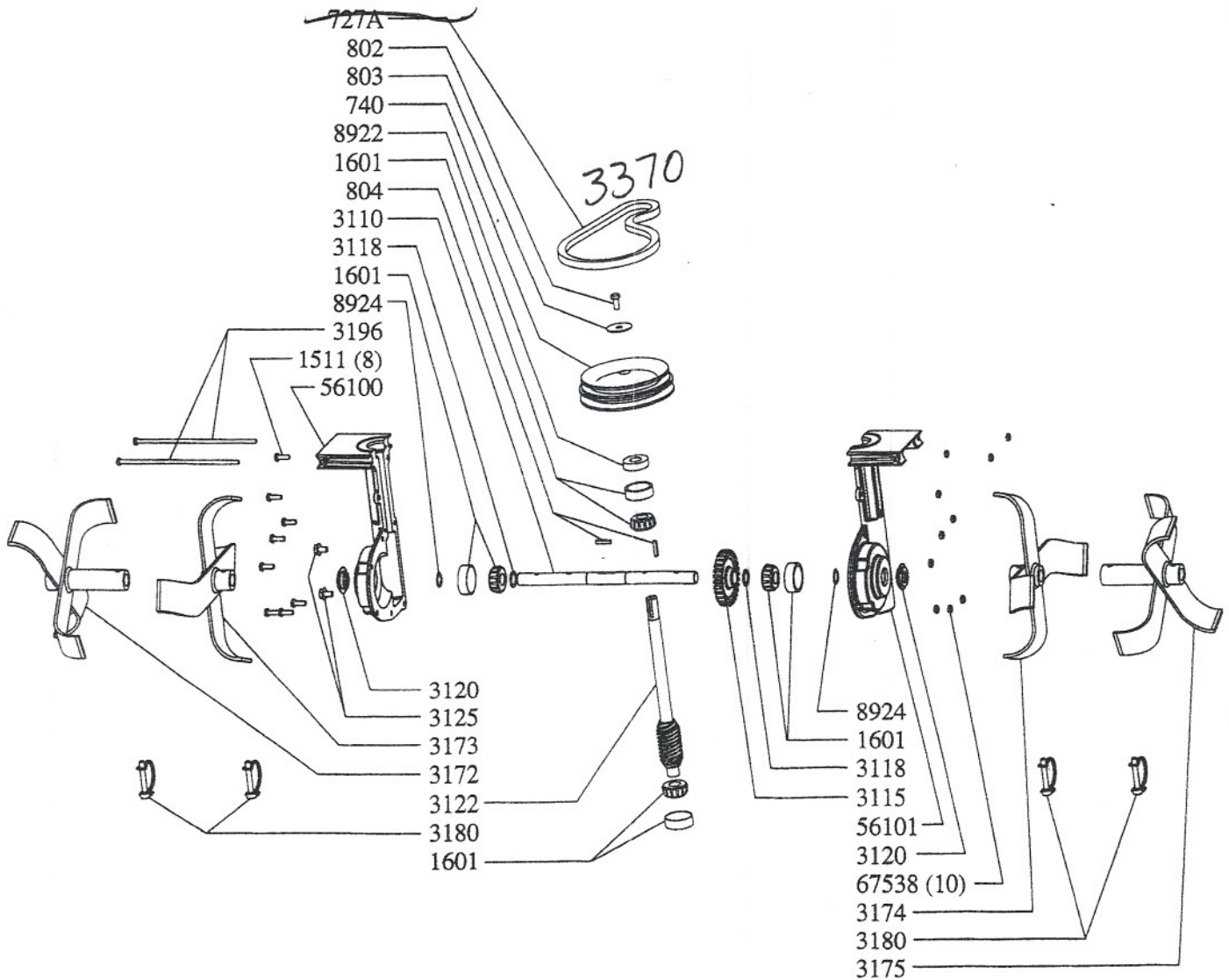
PART #	DESCRIPTION	QTY.
504	LOCKWASHER-Spring, 5/16"	2
2102	BOLT-Hex Hd, 3/8"-16 x 1", Grade 5	4
2104	NUT-Hex, 3/8"-16	4
3160	DRIVE SAFETY CONTROL LEVER	1
3162	TOP HANDLE, Black (Earthquake)	1
3164	BOTTOM HANDLE, Black (Earthquake)	1
3262	TOP HANDLE, Red (GardenStar)	1
3264	BOTTOM HANDLE, Red (GardenStar)	1
8655	BOLT-Hex Hd, 5/16-18 x 1-3/4"	2
48260	CAPSCREW-Hex Hd, 1/4-20 x 2", Grade 5	1
48406	KNOB-Five Star Black, 5/16-18	2
53530	SPRING-Bee Hive, Forward Cable Adjust	1
53606	NUT-Nyloc, #10	1
53607	NUT-Jam, 5/16"-24	2
53630	CABLE ASSEMBLY	1
67538	NUT-Nyloc, 1/4"	1

3100/3200 Motor Mount & Hood Assembly



<u>PART #</u>	<u>DESCRIPTION</u>	<u>QTY.</u>	<u>PART #</u>	<u>DESCRIPTION</u>	<u>QTY.</u>
60G56	NUT-Biway Lock, 5/16-18	6	3132	SHIELD-Tine, Black (EQ)	1
409	DETENT PIN, 5/16"	1	13149	WHEEL SHAFT, 1/2" Hinge	1
504	LOCKWASHER-Spring, 5/16"	2	3150	DRAG BAR MOUNT, Black (EQ)	1
731	PULLEY-2 Groove, Engine, 3/4" ID	1	3157	DEPTH REGULATOR LEVER	1
802	CAPSCREW-Hex Hd, 5/16-24 x 3/4"	1	3182	BELT GUIDE & MOUNT	1
803	WASHER, 5/16" ID x 1-5/8" OD, Eng. Pulley	1	3184	IDLER ARM-Forward	1
804	KEY, 3/16 x 1"	1	3190	REAR COVER & MOUNT, Black (EQ)	1
1401	CAPSCREW-Hex Hd, 5/16-18 x 1-1/4"	1	3198	SPACER-Engine	1
1407	SPRING-Idler Arm	1	3230	FRAME-Engine Mount, Red (GS)	1
1408	PULLEY-Forward Idler	1	3231	FRONT BELT COVER, Red (GS)	1
1416	LINK PIN	1	3232	SHIELD-Tine, Red (GS)	1
1418	COTTER PIN	1	3250	DRAG BAR MOUNT, Red (GS)	1
1516	BOLT-Hex Flange Hd, 1/4-20 x 3/4"	8	3290	REAR COVER & MOUNT, Red (GS)	1
802	BOLT-Hex Hd, 3/8-16 x 1"	4	8655	BOLT-Hex Hd, 5/16-18 x 1-3/4"	2
2104	NUT-Hex, 3/8-16 Two-Way	5	53596B	CABLE YOKE	1
3103	ENGINE, 5.5-hp Tecumseh (3100)	1	67538	NUT-Nyloc, 1/4"	8
3104	ENGINE, 5-hp Briggs & Stratton (3200)	1	1714250	WHEEL & TIRE ASSEMBLY	2
3130	FRAME-Engine Mount, Black (EQ)	1	1960519	PUSH NUT, 1/2" Dia.	4
3131	FRONT BELT COVER, Black (EQ)	1	WF516	WASHER-Flat, 5/16"	6

3100/3200 Tine & Shaft Assembly



<u>PART #</u>	<u>DESCRIPTION</u>	<u>QTY.</u>	<u>PART #</u>	<u>DESCRIPTION</u>	<u>QTY.</u>
727A	BELT-Forward	1	3125	BOLT-Thread Forming, 1/4-20 x 1/2"	2
740	PULLEY-2 Groove, Transmission	1	3172	TINE SET-Outside Right	1
802	CAPSCREW-Hex Hd, 5/16-24 x 3/4"	1	3173	TINE SET-Inside Right	1
803	WASHER, 5/16" ID x 1-5/8" OD, Eng. Pulley .	1	3174	TINE SET-Outside Left	1
804	KEY, 3/16 x 1"	1	3175	TINE SET-Inside Left	1
1511	BOLT-Hex Flange Hd, 1/4-20 x 7/8"	8	3180	SNAP PIN-Round Bail, 5/16 x 1-3/4"	4
1601	BEARING-Tapered (Includes Cone & Race) ...	4	3196	BOLT-Hx Hd, 1/4-20 x 7-1/2"	2
3110	TINE SHAFT	1	8922	BALL BEARING, R12	1
3115	GEAR-Brass	1	8924	SNAP RING-External	2
3118	SPACER	2	56100	CASTING-Right Side	1
3120	SEAL, 3/4" Dia.	2	56101	CASTING-Left Side	1
3122	DRIVE SHAFT	1	67538	NUT-Nyloc, 1/4"	10

3100TRAN TRANSMISSION-Complete 1