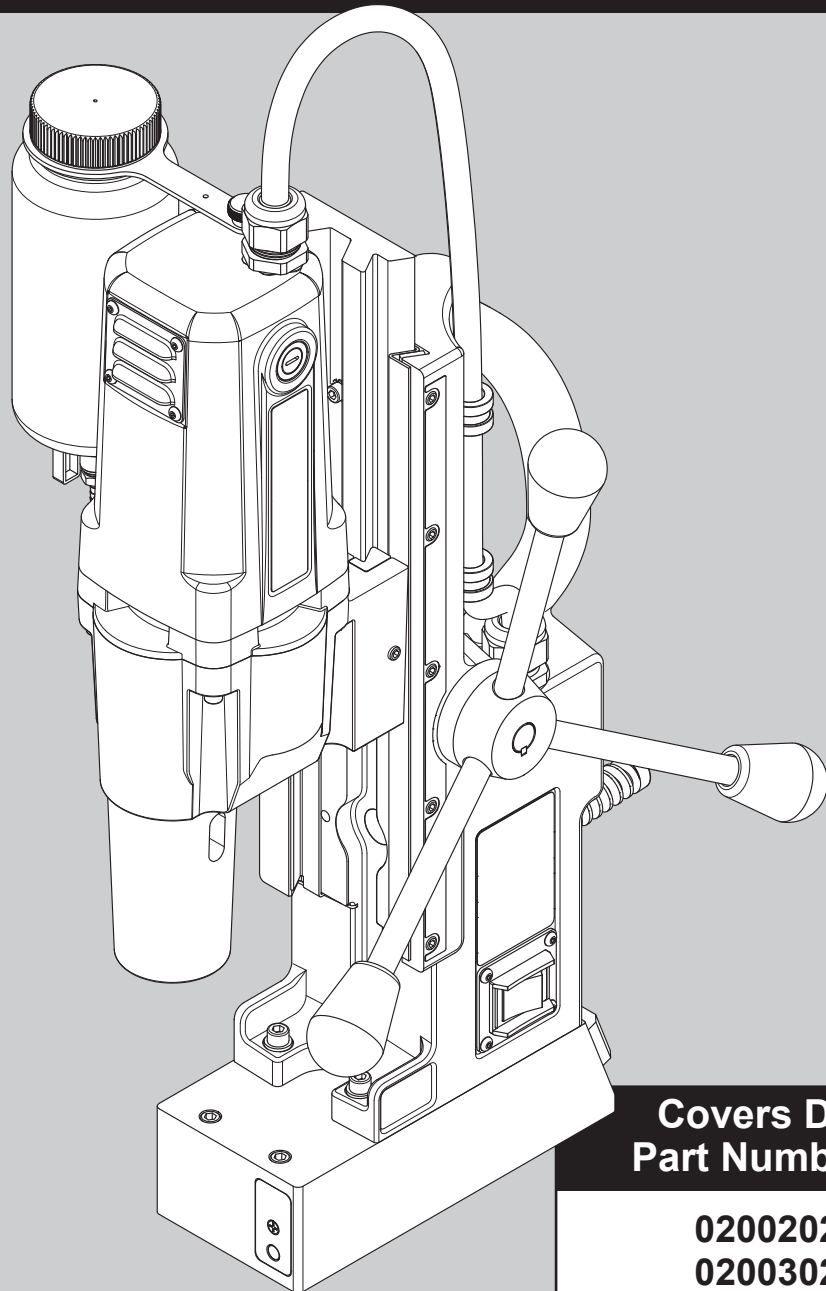




OPERATOR'S MANUAL

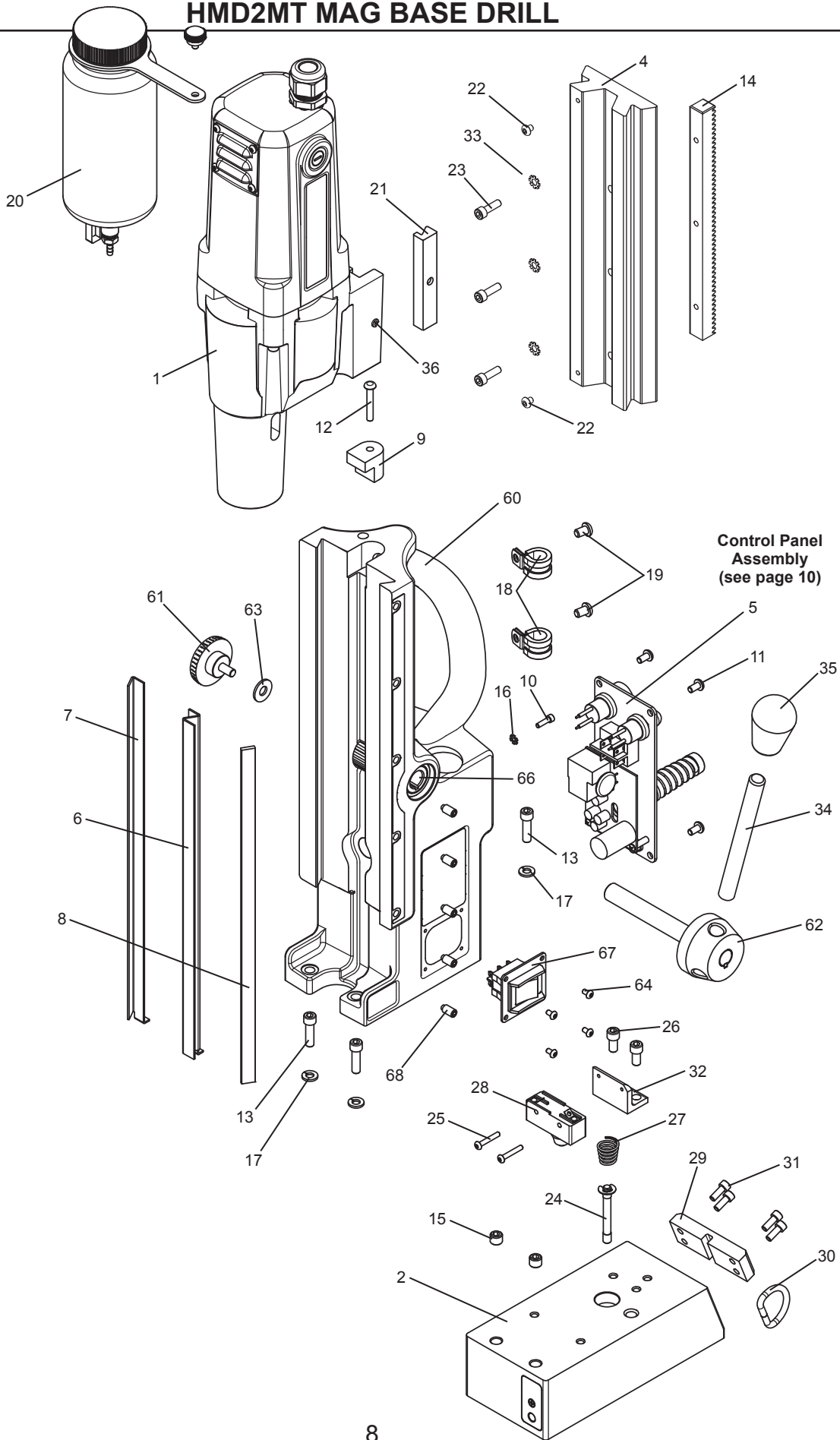
HMD2MT SERIES PORTABLE MAGNETIC DRILL



**Covers Drill
Part Numbers:**

**0200202
0200302**

HMD2MT MAG BASE DRILL

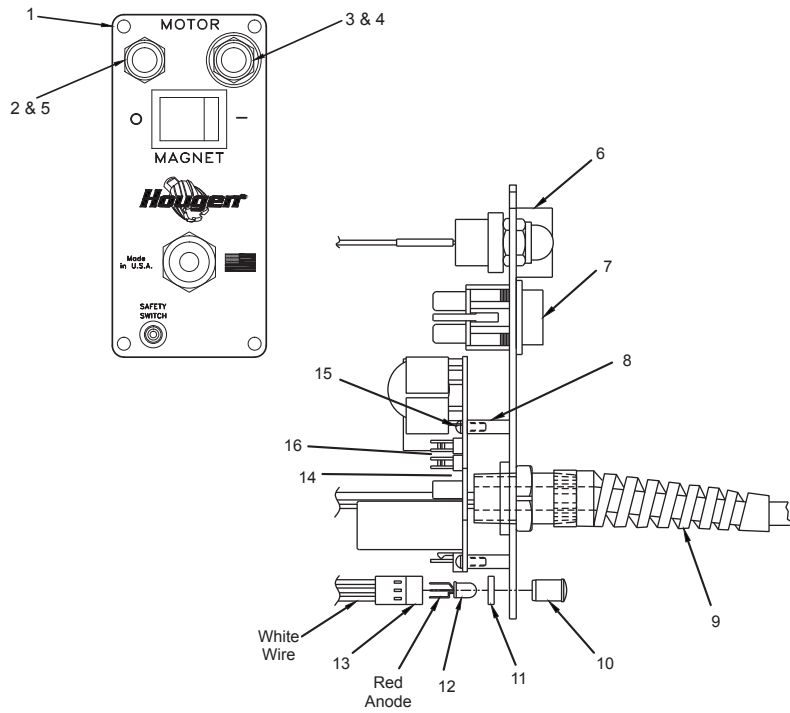


HMD2MT Breakdowns			
Item	Part #	Description	Qty
1	08738	Motor / Label Assy.	1
4	08723	Slide - Dovetail	1
5	08249	Control Panel Assy	1
	08250	Control Panel Assy - Type I	1
6	08519	Gib, Brass, Right Hand	1
7	08520	Gib, Brass, Left Hand	1
8	08521	Gib Steel	1
9	08522	Stop Block	1
10	17002	SCR SHC #6-32 x 1/2 LG	1
11	41044	SCR BHC #10-32 x 3/8 LG	4
12	10559	SCR BHC #10-32 x 1-1/4 LG	1
13	10553	SCR SHC 1/4-20 x 7/8 LG	3
14	08528	Rack Gear	1
15	10506	SCR Set 3/8-24 x .305 SPL FL PT	2
16	90052	Lock Washer Ext. #6	1
17	90028	Washer Helical Lock 1/4	3
18	08709	Clamp Cable	2
19	02461	SCR BHC 1/4-28 x 3/8	2
20	05060	Coolant Bottle Assembly	1
21	08710	Gib Clamp	2
22	11053	SCR BHC 8-32 x 3/16	2
23	40038	SCR SHC 10-32 x 5/8	3
33	10560	Washer #10 Ext. Tooth Lock	3
36	40237	SCR SS 1/4 x 1/2 Full Dog	1
Accessories Included			
34	10569	Feed Handles	3
35	04532	Feed Handle Knobs	3
	10730	Safety Chain 3/16 x 5' w/Snap Hook	1
	10565	1/8" Hex Key Short Arm	1
	24166	7/32" T-Handle Wrench	1
	13013	5/32" Long Arm Wrench	1
	08736	Key - Drift MT2	1
	08729	Arbor Assy HMD2MT	1

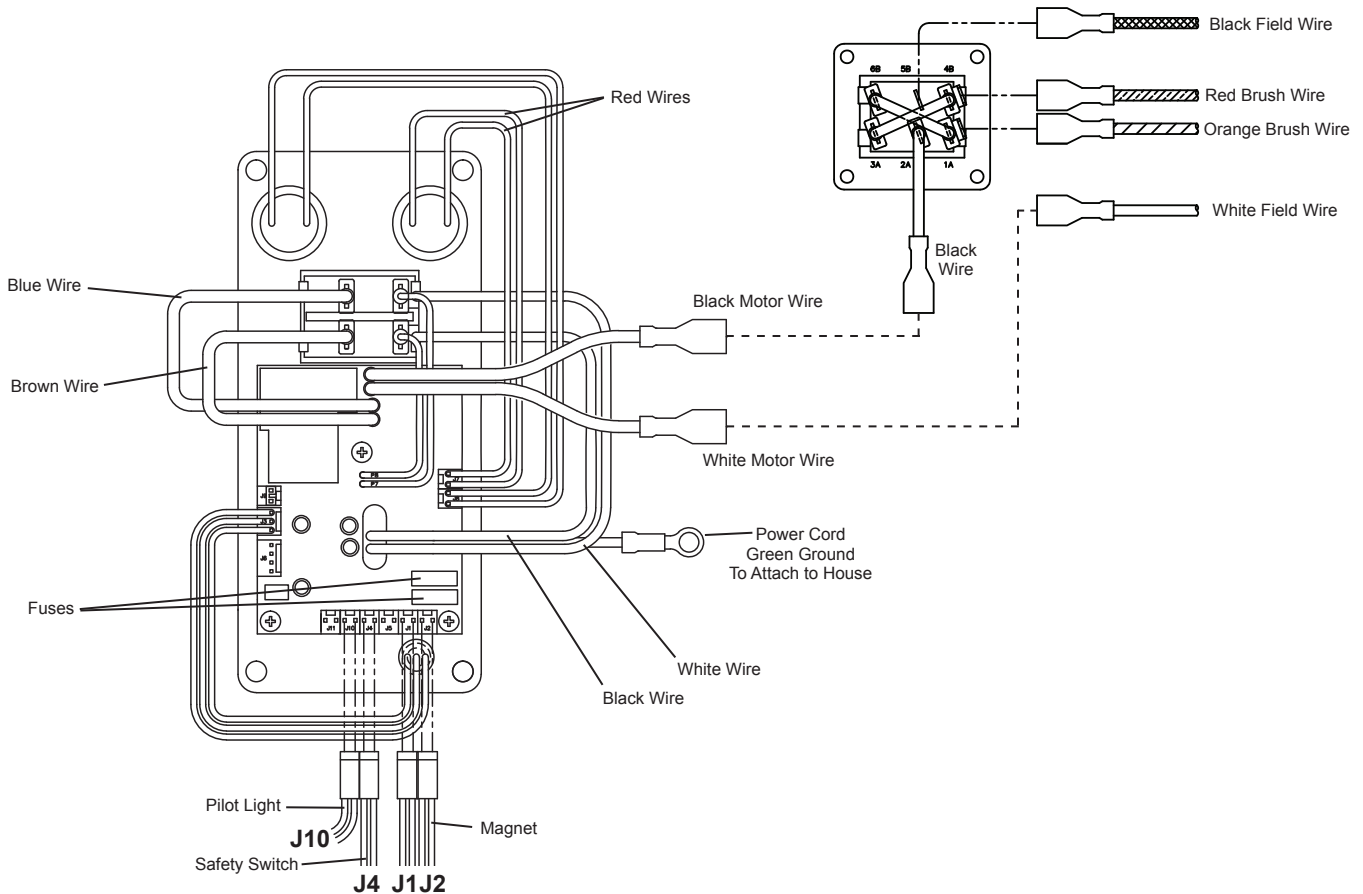
08041 Magnet Assembly			
Item	Part #	Description	Qty
2	08042	Magnet / Winding Assembly	1
24	04961	Plunger Assembly	1
25	10971	SCR SHC 1/4-20 x 1/2	2
26	10972	SCR BHC 6-32 x 7/8	2
27	17271	Spring - Taper. Comp.	1
28	04885	Safety Switch Assembly	1
29	07887	Plate - Retaining Ring	1
30	24144	Ring - D x 1"	1
31	41046	SCR SHC 10-32 x 1/2	4
32	04909	Bracket - Safety Switch	1

08706 Housing Assembly			
Item	Part #	Description	Qty
60	08707	Drill Housing Assy HMD2MT	1
61	05839	Knob - Comfort Grip	1
62	40254	Hub Assembly	1
63	10679	Washer - Flat 1/4 Type A	1
64	02385	SCR BHC #6-32 x 1/4	4
66	40229	Feed Gear	1
67	08708	Reverse Switch Panel Assy	1
68	40237	SCR SS 1/4 x 1/2 Full Dog	5

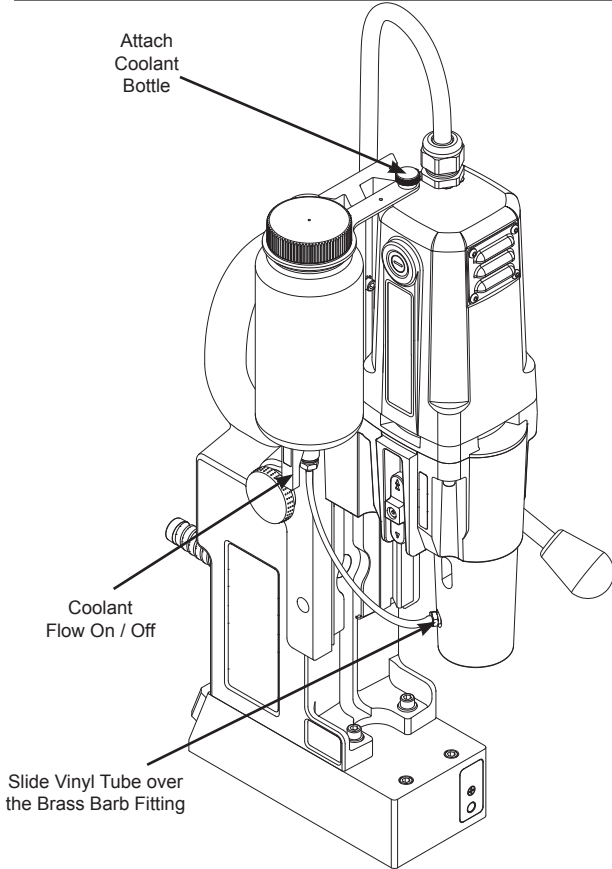
CONTROL PANEL BREAKDOWN & WIRING



08249 Panel Assembly - 230V 08250 Panel Assembly - 230V Type I			
Item	Part #	Description	Qty
1	07011	Faceplate	1
2	01335	Switch - Motor Off	1
3	01334	Switch - Motor On	1
4	02409	Seal - Green	1
5	01228	Seal - Red	1
6	01226	Guard Switch	1
7	04614	Magnet Switch	1
8	02548	Stand Off	3
9	07299	Power Cord Assembly	1
	08287	Power Cord Assembly - Type I	1
10	04879	Lens Clear L.E.D.	1
11	04878	Spacer L.E.D.	1
12	04881	Bulb L.E.D.	1
13	04877	Wire Harness L.E.D.	1
14	08673	Circuit Board	1
15	02547	SCR #4-40 x 5/16 LG	3
16	07522	Fuse	2



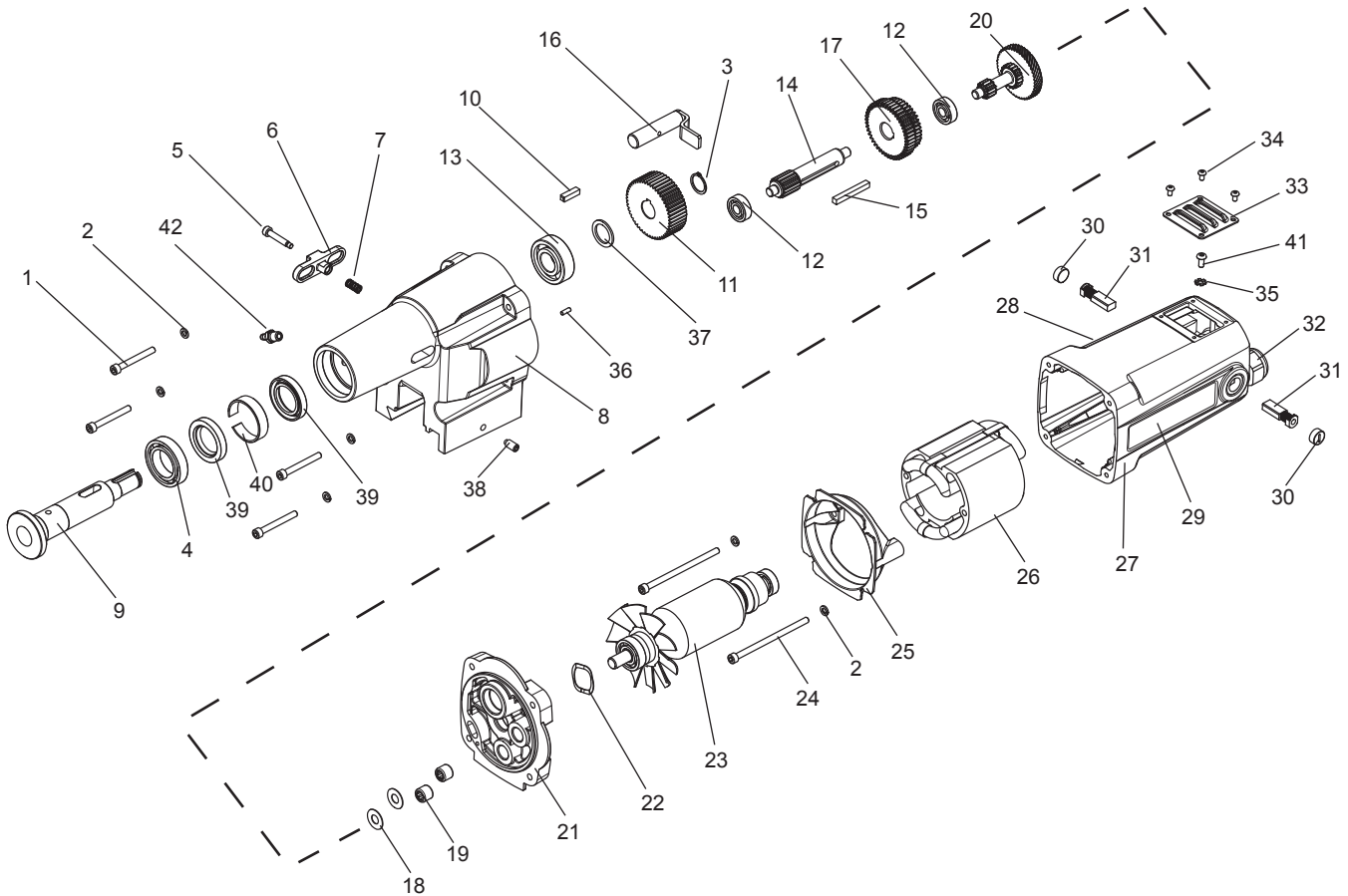
COOLANT BOTTLE ASSEMBLY



05060 Coolant Bottle Assembly

Part #	Description
05064	Coolant Bottle
05059	Coolant Bottle Bracket
41044	SCR-BHC 10-32 x 3/8
05065	Ball Valve
05067	Brass Barb Fitting (bottom of the bottle)
40304	Vinyl Tube
24124	Cap - Coolant Bottle

MOTOR PARTS DIAGRAM



08700 Motor Assembly

Item	Part #	Description	Qty	Item	Part #	Description	Qty
1	08234	SCR-SHC #10-32 x 1-5/8	4	22	08070	Washer - Spring Wave	1
2	50038	Washer - Lock Helical #10	6	23	08740	Armature Assembly	1
3	08721	Retaining Ring	1	24	08025	SCR-SHC #10-32 x 3-1/4	2
4	08719	Bearing 25 x 42 x 9	1	25	07958	Baffle	1
5	08069	SCR-SHSLD 3/16 x 7/8	1	26	08747	Field	1
6	07908	Switch - Gear	1	27	08702	Motor Brush Holder Assembly	1
7	07910	Spring-Comp	1	28	07937	Motor Assembly 120V	1
8	08713	Gear Box Housing	1	29	08711	Motor Label - HMD2MT	1
9	08716	Spindle - Motor Drive	1	30	07960	Brush Holder Cap	2
10	07904	Key 3/16 SQ x 3/4	1	31	07961	Carbon Brushes	2
11	08715	Gear Spur 51 Tooth	1	32	08703	Motor Cord Assembly HMD2MT	1
12	24100	Ball Bearing	2	33	07848	Cover, Brush Access	1
13	08718	Ball Bearing 17 x 40 x 12	1	34	02385	SCR-BHC #6-32 x 1/4	4
14	07974	Gear Spur #5	1	35	10538	Lock Washer #8	1
15	07978	Key 3/16 SQ x 1-1/2	1	36	01169	Dowel Pin 1/8 x 3/8	1
16	07977	Shift Control Rod Arm 905	1	37	08720	Thrust Washer .945	1
17	07973	Gear Assembly	1	38	40237	SCR SS 1/4-28 x 1/2 Full Dog	1
18	17610	Flat Washer #8	2	39	08722	Seal - Lip .938	2
19	07903	Needle Bearing 8 x 12 x 10	2	40	08717	Spacer Ring	2
20	07972	Gear Assembly #2 & #3	1	41	41042	SCR BHC 8-32 x 3/8	1
21	07969	Gear Box Cover	1	42	07447	Fitting - Hose Barb Brass	1

MAINTENANCE

In order to minimize wear on moving parts and to insure smoother operation and longer life for your magnetic drill, the following maintenance should be done periodically, based on use:

1. Regularly tighten all fasteners and replace all worn parts.
2. Check motor brushes and replace if worn.
3. Check power cord and cord from panel to motor and, if cracked or frayed, return to an authorized repair center for replacement.
4. Apply grease to the slide dovetails, brass gibs, and the feed gear rack. For best results use Shell Cyprina-RA or equivalent.
5. The safety switch plunger should be clean and lubricated with penetrating oil periodically. As necessary remove the magnet from drill and remove safety switch assembly from magnet. Push the plunger out of magnet. Clean out any debris from inside an around plunger hole in magnet. Coat the plunger with anti-seize. Replace plunger and safety switch assembly and tighten down screws. Replace magnet into drill housing.



WARNING:

Read all safety warnings, instructions, illustrations and specifications provided with this power tool. Failure to follow all instructions listed below may result in electric shock, fire and/or serious injury.

HOUGEN ACCESSORIES

Many accessories are available to make your HMD2MT a portable machine shop including: a chuck adaptor, Tapping adaptor and several sizes of collets.



Part #	Description
08821	Adaptor - Drill Chuck
83001	Adaptor - Tapping
83002	Wrench - 3/4" Tap
83003	Wrench - 1-3/16" Tap
83005	#8 Collet
83006	#10 Collet
83009	1/4" Collet
83011	5/16" Collet

Part #	Description
83012	3/8" Collet
83013	7/16" Collet
83014	1/2" Collet
83015	9/16" Collet
83016	5/8" Collet
83000	Tapping Kit - Kit contains 83001 Adaptor, wrenchs and (9) Collets: #8, #10, 1/4, 5/16, 3/8, 7/16, 1/2, 9/16, 5/8