

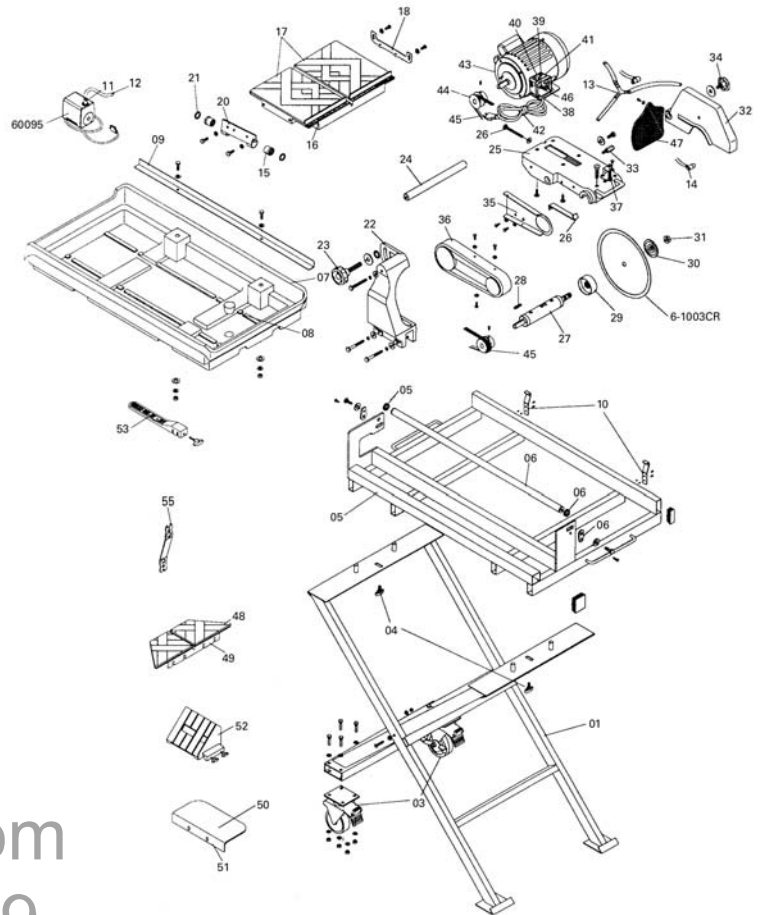


24" Professional Tile Saw

PARTS LIST

EXPLODED PARTS

DESCRIPTION	No.
Folding Saw Stand w/Wheels	60024-01
Wheel / Brake Assembly (w/4 bolts, washers, nuts)	60024-03
Stand Knobs (2)	60024-04
Frame Assembly	60024-05
Roller Guide Bar (w/2 bolts, washers, nuts)	60024-06
Water Tray Assembly	60024-07
Drain Plug	60024-08
Angle Bar on Water Tray (w/2 bolts, washers, nuts)	60024-09
Water Tray Brackets for Lock (set of 2 w/screws)	60024-10
Water Valve	60095-11
Water Pump Tubing	60095-12
Water Flow "T" & "L" w/Tubing	60024-13
"U"-shaped Roller Set	60024-15
Cutting Table	60024-16
Rubber Mat for Cutting Table	60024-17
Ruler Guide (w/4 bolts)	60024-18
Ruler Guide Sticker	60024-19
L-shaped Supporter (w/2 bolts, washers)	60024-20
Angle Bar Rollers Set	60024-21
Rear Support Post (w/bolt, washers, nuts, 1 hex)	60024-22
Mounting Plate Adjustment (w/nut & lock washer)	60024-23
Motor Support Shaft (w/bolt & washer)	60024-24
Mounting Plate	60024-25
Motor Adjustment Clip (w/bolt & washer)	60024-26
Bearing Housing	60024-27
Blade Shaft Lock Pin	60024-28
Inner Flange	60024-29
Outer Flange	60024-30
Blade Lock Nut	60024-31
Blade Guard	60024-32
Blade Guard Bolt	60024-33
Blade Guard Adjustment Knob	60024-34
Belt Guard Bracket	60024-35
Belt Guard	60024-36
Blade Shaft Lock	60024-37
Power Switch	60024-38
Circuit Breaker	60024-39
Waterproof Cover for Circuit Breaker	60024-40
Power Switch Housing	60024-41
Power Cord	60024-42
Motor	60024-43
Pulley	60024-44
Belt	60024-45
Single Socket	60024-46
Splash Guard Flap	60024-47
Rubber Mat for Front Extension Table	60024-48
Front Extension Table	60024-49
Rubber Mat for Side Extension Table	60024-50
Side Extension Table	60024-51
Miter Block	60024-52
45°, 90° Rip Guide	60024-53
Universal Wrench	60024-55
Water Pump	60095
10" Continuous Rim Wet Diamond Blade	6-1003CR



QEPParts.com

888-634-4039

An iBuy Stores Company