

OPERATION AND PARTS MANUAL



MODEL TP24X TILE SAW (ELECTRIC MOTOR)

Revision #4 (09/12/19)

THIS MANUAL MUST ACCOMPANY THE EQUIPMENT AT ALL TIMES.

TABLE OF CONTENTS

TP24X Tile Saw

Proposition 65 Warning	2
Silicosis/Respiratory Warnings	3
Table Of Contents	4
Safety Information	6-9
Specifications	10
Dimensions.....	11
General Information.....	12
Saw Components	14-15
Electric Motor Components	16
Set-Up	16-20
Sawing Guides	20-21
Operation.....	22-23
Maintenance.....	24-30
Wiring Diagram (Electric Motor)	31
Troubleshooting (Blade).....	32
Troubleshooting (Saw).....	33
Explanation Of Code In Remarks Column.....	34
Suggested Spare Parts	35
Main Saw Assy.....	36-37
Cutting Head Assy.	38-39
Cutting Table Assy.....	40-41
Blade Guard Assy.....	42-43
Bearing Housing Assy.....	44-45
Switch Box Assy.....	46-47
Tools And Accessories	48-49

NOTICE

Specifications and part numbers are subject to change without notice.

SUGGESTED SPARE PARTS

TP24X TILE SAW WITH ELECTRIC MOTOR

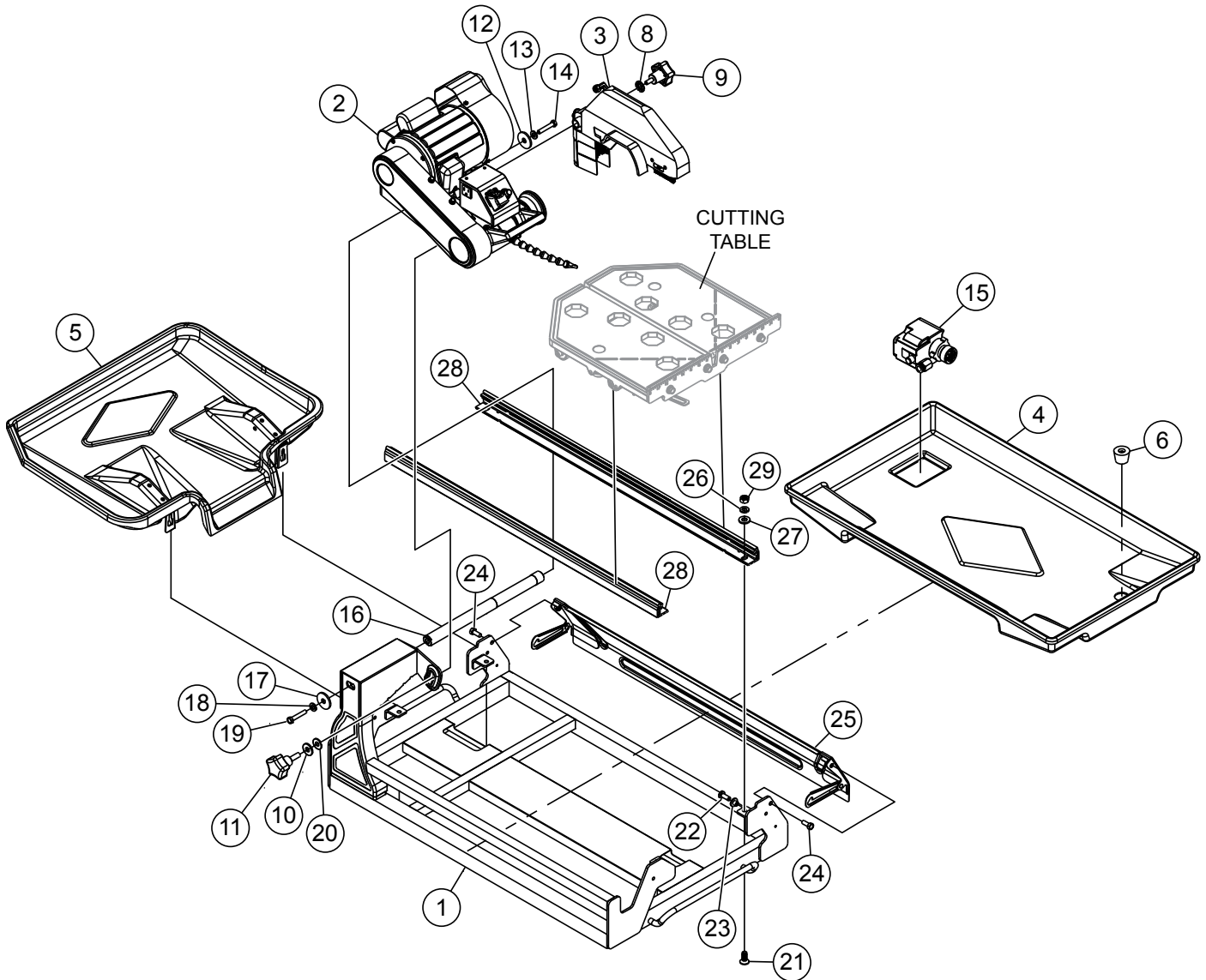
1 to 3 units

Qty.	P/N	Description
1.....	TPS80004.....	RUN CAPACITOR
1.....	TPS80005.....	START CAPACITOR
1.....	TPS80008.....	V-BELT
1.....	TPS100003.....	SWITCH, TOGGLE 15A

NOTICE

Part numbers on this Suggested Spare Parts list may supersede/replace the part numbers shown in the following parts lists.

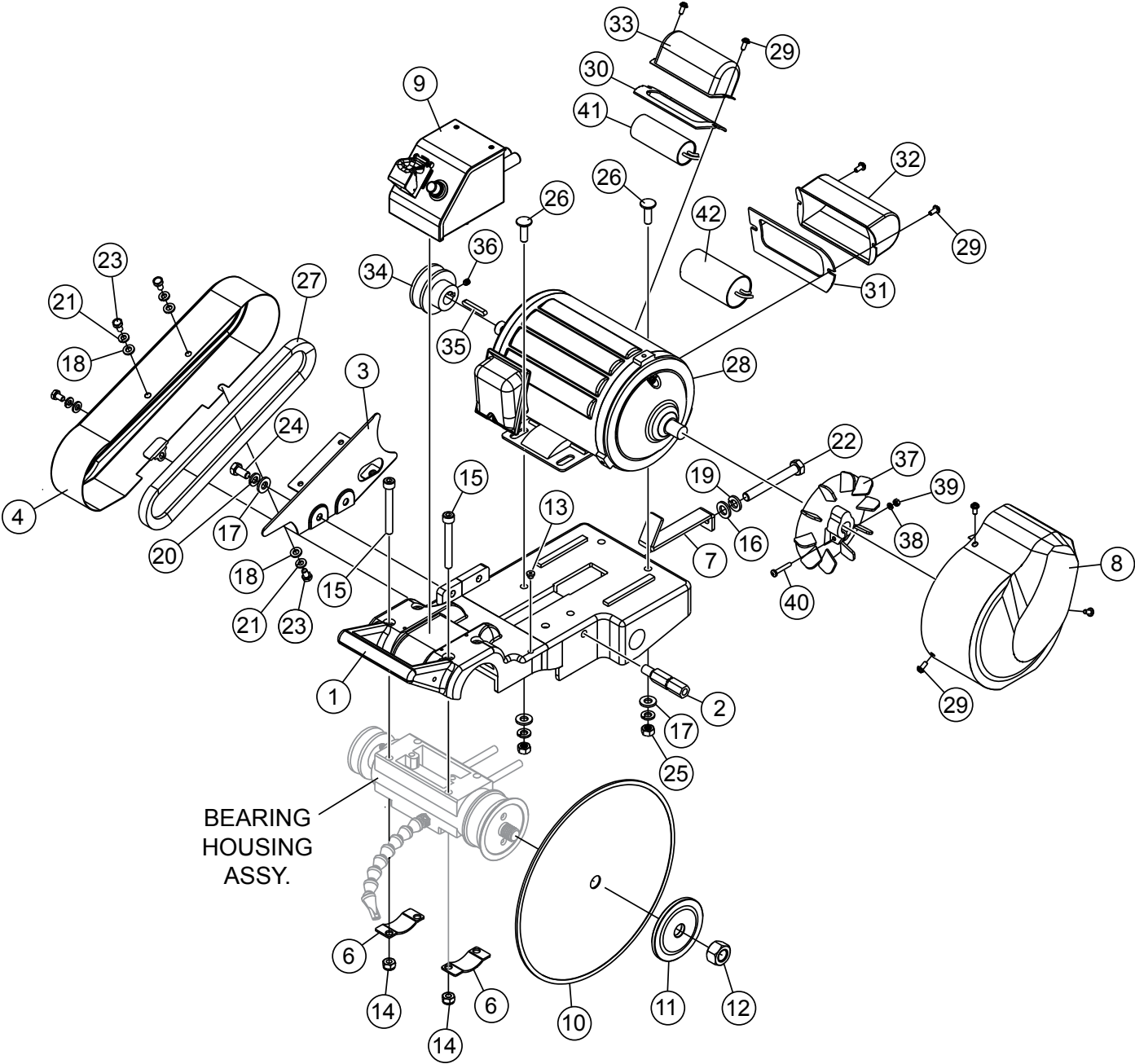
MAIN SAW ASSY.



MAIN SAW ASSY.

<u>NO.</u>	<u>PART NO.</u>	<u>PART NAME</u>	<u>QTY.</u>	<u>REMARKS</u>
1	TP110017	FRAME ASSY	1	
2	TP110018	CUTTING HEAD ASSY	1	
3	TP110019	10" BLADE GUARD ASSY	1	
4	TP110020	WATER TRAY	1	
5	TP110021	WATER TRAY, BACK DRIP	1	
6	TP110022	PLUG, WATER TRAY	1	
8	TP0310	WASHER SERRATED	1	
9	TP100018	KNOB BLADE GUARD	1	
10	TP0338	WASHER NARROW, M10	1	
11	TP100021	KNOB REAR POST	1	
12	TP0306	WASHER WIDE, M10	1	
13	TP0307	WASHER SPRING M10	1	
14	TP0305	HEX BOLT M10X20L	1	
15	TPS70028	WATER PUMP - 300G/HR	1	
16	TP110024	CUTTING HEAD SHAFT	1	
17	TP0306	WASHER WIDE, M10	1	
18	TP0307	WASHER SPRING M10	1	
19	TP0305	HEX BOLT M10X20L	1	
20	TP0310	WASHER SERRATED	1	
21	TP110025	HEX SCREW M8X1.25X20L	4	
22	TP110026	CROSS SCREW M6X1.0X20L	2	
23	TP110028	SLIDER	2	
24	TP25058	HEX BOLT M8X0.8X15L	2	
25	TP110029	DRIP GUARD	1	
26	TP0121	WASHER SPRING M8	4	
27	TP0120	WASHER NARROW M8	4	
28	TP110033	848L LEFT/RIGHT RAIL	2	
29	TP0119	NUT, M8 X 1.25	4	

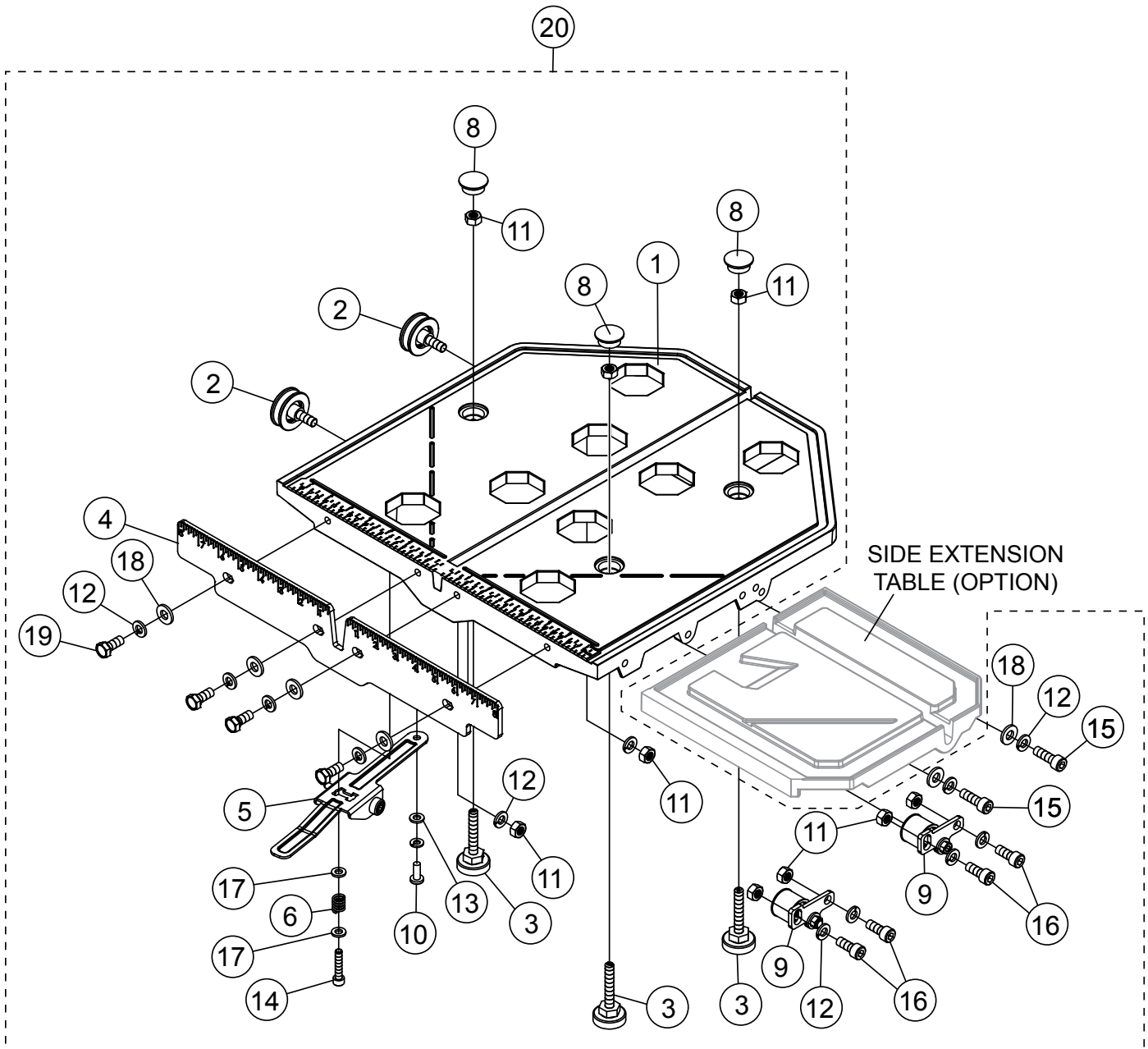
CUTTING HEAD ASSY.



CUTTING HEAD ASSY.

<u>NO.</u>	<u>PART NO.</u>	<u>PART NAME</u>	<u>QTY.</u>	<u>REMARKS</u>
1	TP110001	CUTTING HEAD	1	
2	TP110002	BLADE GUARD HEX STUD	1	
3	TP110003	BELT GUARD BRACKET	1	
4	TP110004	BELT GUARD	1	
6	TP110006	LCBH BRACKET	2	
7	TP110007	MOTOR TENSION BRACKET	1	
8	TP110008	MOTOR FAN COVER	1	
9	TPS100005N	POWER SWITCH ASM	1	
10		DIAMOND BLADE 10"	1CONTACT UNIT SALES
11	TP110010	FLANGE OUTER ARBOR	1	
12	TPS100017	NUT, BLADE 5/8-11 UNC	1	
13	TP100607	D6 CIRCULAR RUBBER STOP	1	
14	TP0812502	NUT NYLON M8 X 1.25	4	
15	TP0329	HEX BOLT M8 X 1.25 X 70L	4	
16	TP0338	WASHER NARROW M10	1	
17	TP0120	WASHER NARROW M8	2	
18	TP0384	WASHER NARROW M6	4	
19	TP0307	WASHER SPRING M10	1	
20	TP0121	WASHER SPRING M8	2	
21	TP11090	WASHER SPRING M6	4	
22	TP03371	HEX BOLT M10 X 1.5 X 75L	1	
23	TP0322	HEX BOLT M6 X 1.0 X 10L	4	
24	TP01161	HEX BOLT M8 X 1.25 X 16L	2	
25	TP01191	NUT, 5/8-18 UNC	4	
26	TP03131	NUT, 5/8-18 X20L UNC	4	
27	TPS80008	V-BELT	1	
28	TPS1000J02	MOTOR 1.5HP INDUCTION	1	
29	TP12067	SCREW CROSS #10-24X1/4"L	7	
30	TP100036	CAPACITOR GASKET RUN	1	
31	TP100037	CAPACITOR GASKET START	1	
32	TPS800051	CAPACITOR COVER START	1	
33	TPS1000026	CAPACITOR COVER RUN	1	
34	TPS1000061	PULLEY MOTOR SHAFT	1	
35	TPS1000062	KEY SQUARE 5X5X30L	1	
36	TP0316	SET SCREW M6X1.0X10L	1	
37	TPS800241	FAN MOTOR	1	
38	TP0412732	WASHER SPRING M4	1	
39	TP420294	NUT, M4 X 0.7 - TP24X	1	
40	TP040703003	SCREW CROSS M4X0.7X30L	1	
41	TPS80004	CAPACITOR RUN	1	
42	TPS80005	CAPACITOR START	1	

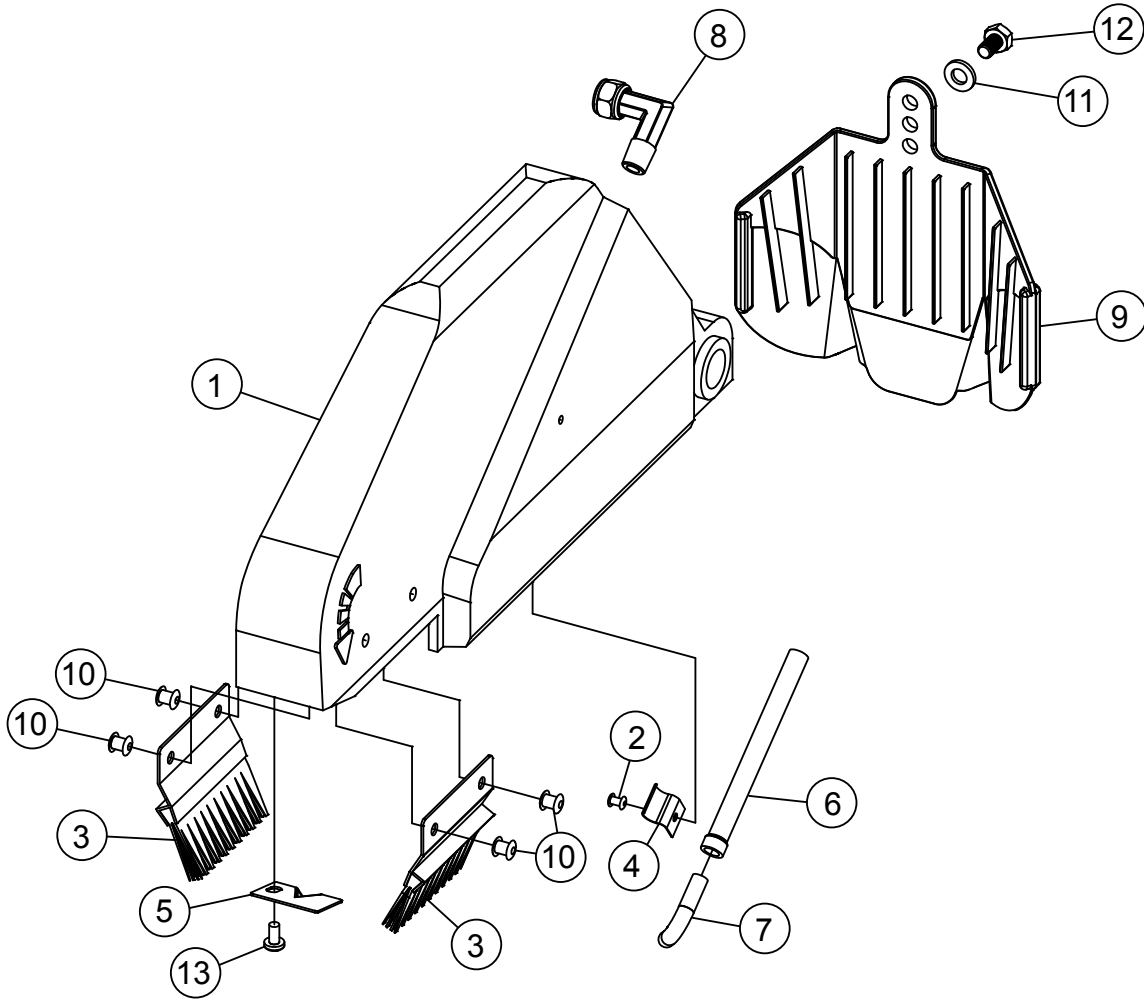
CUTTING TABLE ASSY.



CUTTING TABLE ASSY.

<u>NO.</u>	<u>PART NO.</u>	<u>PART NAME</u>	<u>QTY.</u>	<u>REMARKS</u>
1@	TP100095	CUTTING TABLE	1	
2@	TP100097	GUIDE ROLLER (SET OF 2)	1	
3@	TP100098	CONCENTRIC FLAT ROLLER	3	
4@	TP100099	RULER GUIDE	1	
5@	TP100100	SPRING LOCK ASM	1	
6@	TP100101	SPRING	1	
8@	TP100103	RUBBER CAP	3	
9@	TP100105	FLAT ROLLER ASM (SET OF 2)	1	
10@	TP0322	HEX BOLT M6X1.0X10L	1	
11@	TP0119	NUT M8X1.25	9	
12@	TP0121	WASHER SPRING M8	12	
13@	TP11090	WASHER NARROW M6	1	
14@	TP25095	HEX BOLT M6X1.0X30L	1	
15@	TP100107	HEX BOLT M8X1.25X25L	2	
16@	TP1061	HEX BOLT M8X1.25X40L	4	
17@	TP0384	WASHER NARROW M6	2	
18@	TP0120	WASHER NARROW M8	6	
19@	TP100109	HEX BOLT M8X1.25X20L	4	
20	TP110023	CUTTING TABLE ASSY.	1.....	INCLUDES ITEMS W/@

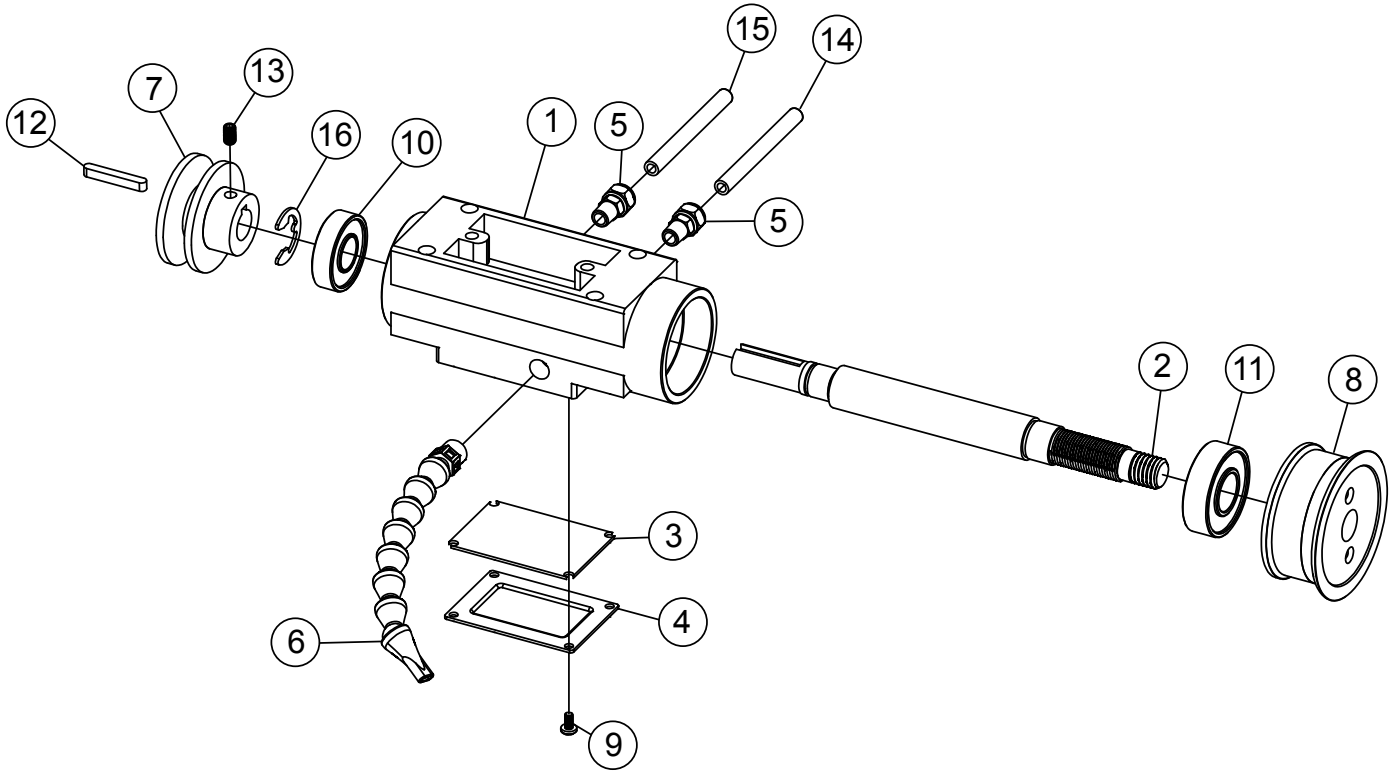
BLADE GUARD ASSY.



BLADE GUARD ASSY.

<u>NO.</u>	<u>PART NO.</u>	<u>PART NAME</u>	<u>QTY.</u>	<u>REMARKS</u>
1	TP100051	BLADE GUARD	1	
2	TP100053	M3 RIVET	1	
3	TP100054	PLASTIC BRUSHES	2	
4	TP100055	RETAINING CLIP	1	
5	TP100056	WATER BAFLE PLATE	1	
6	TP110036	WATER TUBE	1	
7	TP100058	D6.4MM 90° ELBOW PIPE	1	
8	TP100059	D8 90° ELBOW HOSE CONNECTOR	1	
9	TP100060	RUBBER SPLASH GUARD	1	
10	TP110037	M5 RIVET	4	
11	TP0384	WASHER NARROW M6	3	
12	TP0322	HEX BOLT M6X1.0X10L	3	
13	TP0353	CROSS SCREW M4X0.7X8L	1	

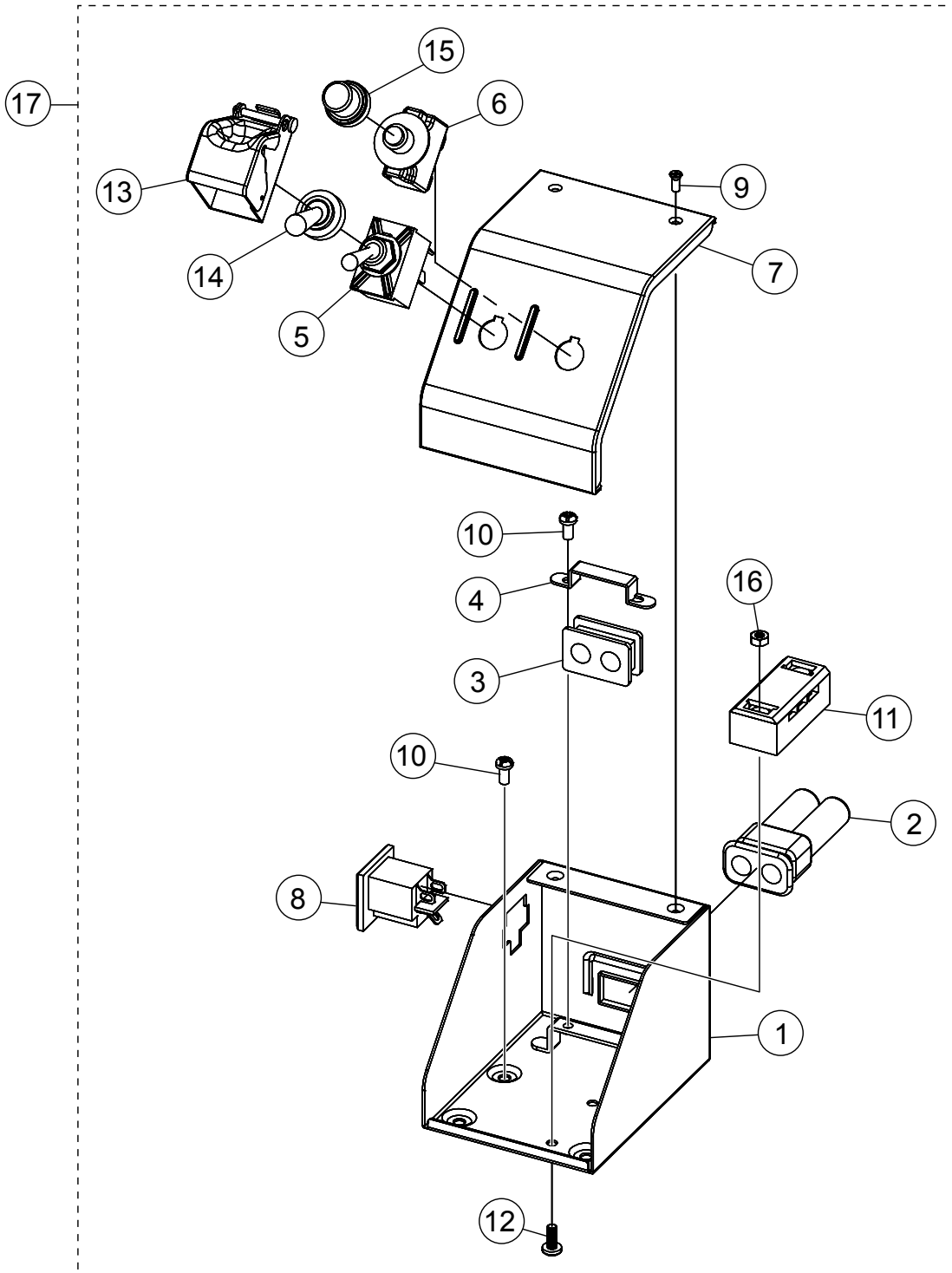
BEARING HOUSING ASSY.



BEARING HOUSING ASSY.

<u>NO.</u>	<u>PART NO.</u>	<u>PART NAME</u>	<u>QTY.</u>	<u>REMARKS</u>
1	TP100110	BEARING HOUSING	1	
2	TPS100013	BLADE SHAFT	1	
3	TP100113	RUBBER GASKET	1	
4	TP100114	WATER CHANNEL COVER	1	
5	TP110012	MALE CONNECTOR	2	
6	TP110013	WATER LINK ASM	1	
7	TPS1000J061	BLADE SHAFT PULLEY	1	
8	TP110014	INNER ARBOR FLANGE	1	
9	TP1374	CROSS SCREW M4X0.7X8L	4	
10	TP110015	BEARING RADIAL D40	1	
11	TP110016	BEARING RADIAL D47	1	
12	TPS1000062	KEY, SQUARE 5X5X30L	1	
13	TP0316	SET SCREW FLAT PT M6X1.0X10L	1	
14	TP110034	HOSE, BLADE GUARD	1	
15	TP110035	HOSE, WATER PUMP	1	
16	TP100124	M17 E-CLIP	1	

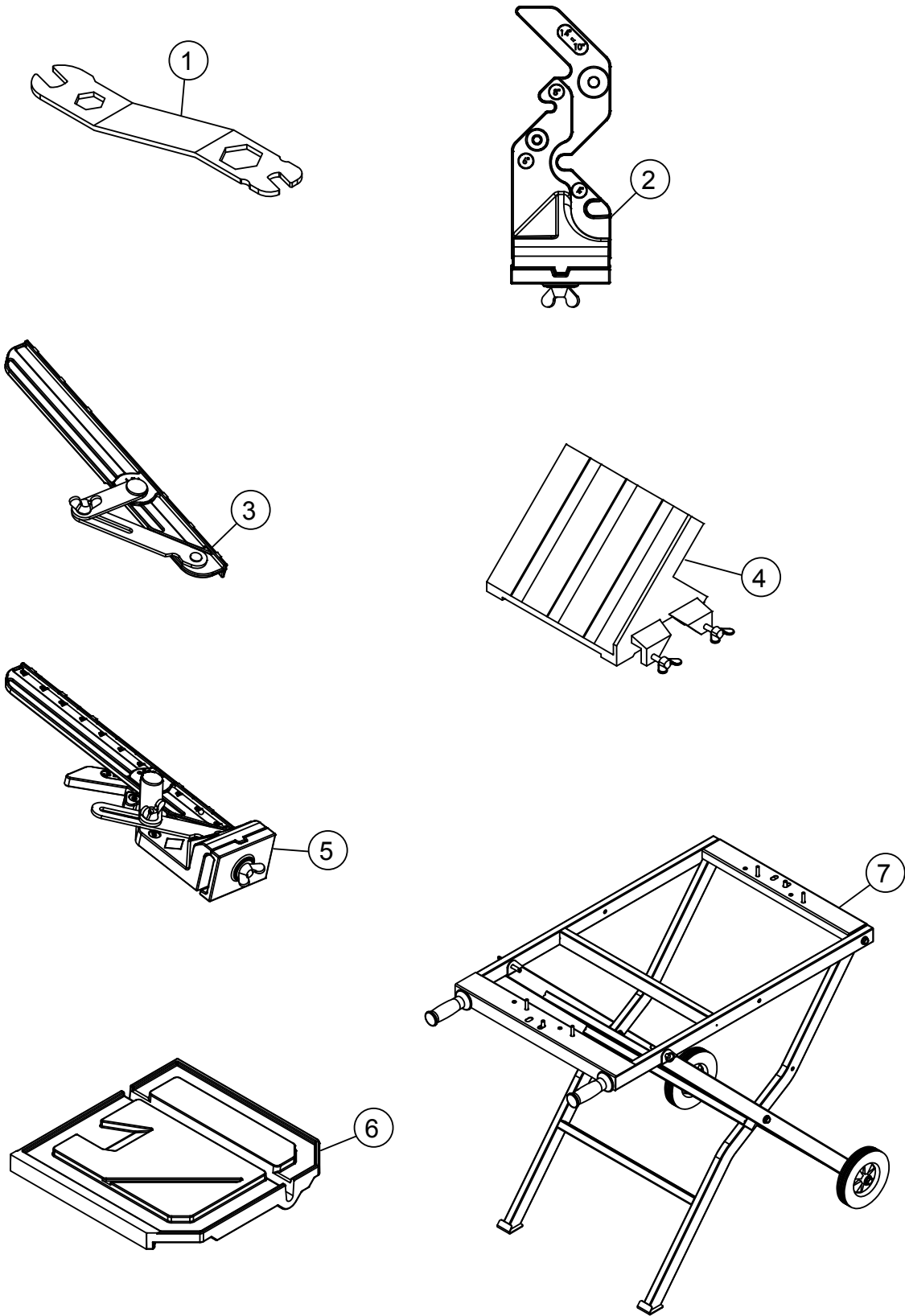
SWITCH BOX ASSY.



SWITCH BOX ASSY.

<u>NO.</u>	<u>PART NO.</u>	<u>PART NAME</u>	<u>QTY.</u>	<u>REMARKS</u>
1@	TP420280	SWITCH BOX HOUSING	1	
2@	TP0739	2 CABLE D9 CABLE GROMMET	1	
3@	TP0793	2 CABLE D9 CABLE BOOT	1	
4@	TP420283	CABLE CLAMP	1	
5@	TPS100003	SWITCH, TOGGLE 15A	1	
6@	TPS100004	CIRCUIT BREAKER RESET 20A	1	
7@	TP420286	SWICH BOX COVER	1	
8@	TP100004	POWER RECEPTACLE 5-15R	1	
9@	TP110032	SCREW CROSS M3X0.5X8L	2	
10@	TP1374	SCREW CROSS M4X0.7X8L	6	
11@	TP420290	JUNCTION BOX	1	
12@	TP03531	SCREW CROSS M4X0.7X15L	2	
13@	TP420291	SHIELD POWER SWITCH	1	
14@	TPS1000032	BOOT POWER SWITCH	1	
15@	TPS1000041	BOOT RESET BUTTON	1	
16@	TP420294	NUT, M4 X 0.7	2	
17	TPS100005N	SWITCH BOX ASSY.	1.....	INCLUDES ITEMS W/@

TOOLS AND ACCESSORIES



TOOLS AND ACCESSORIES

<u>NO.</u>	<u>PART NO.</u>	<u>PART NAME</u>	<u>QTY.</u>	<u>REMARKS</u>
1	TPS100041	UNIVERSAL WRENCH	1	
2	TPS1000MG1	MASTER GUIDE TEMPLATE BASE	1	
3	TPS1000MG1	DETACHABLE RULER GUIDE	1.....	OPTIONAL
4	TPS100034	MITER BLOCK.....	1.....	OPTIONAL
5	TPS1000MG	MASTER GUIDE.....	1.....	OPTIONAL
6	TP100102	SIDE EXTENSION TABLE	1.....	OPTIONAL
7	TPSDT1000SW	SAW STAND	1.....	OPTIONAL