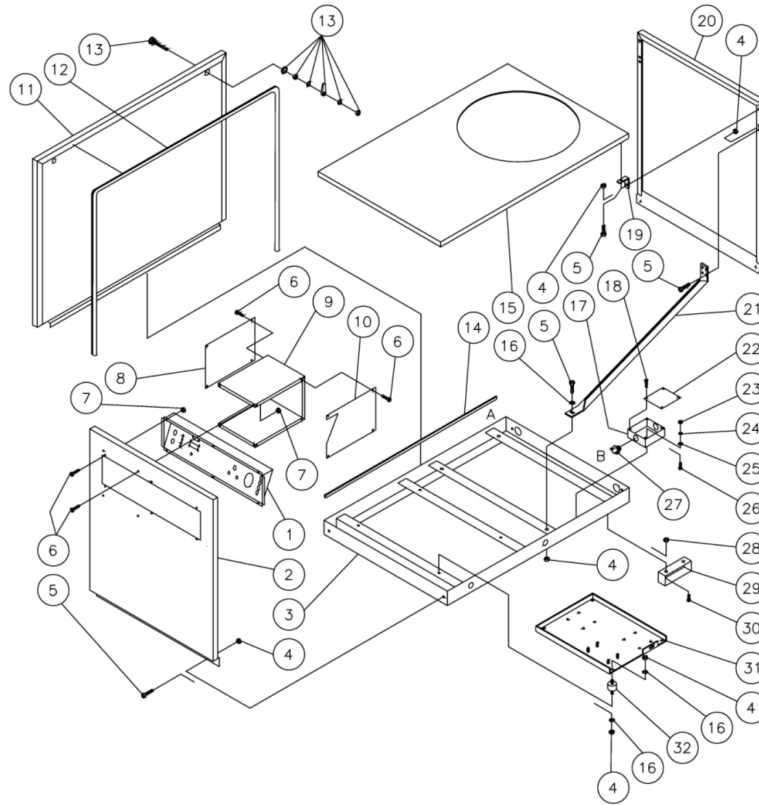




HG-2205-0M10 / HG-2205-0M10 (sn:15001176-99999999)

## FRAME ASSEMBLY



Id	Item #	Description	Quantity	Rev	Comments
1	20-0294A01	CONTROL PANEL	1		
2	20-0291A05	FRONT PANEL	1		
3	5-0084A01	FRAME	1		
4	30-0157	LOCKNUT	28		
5	27-0066	BOLT	20		
6	27-2930	SCREW	18		
7	30-0154	LOCKNUT	10		
8	20-0296A01	ELECTRICAL BOX PANEL	1		
9	20-0295A01	ELECTRICAL BOX	1		
10	20-0297A01	ELECTRICAL BOX PANEL	1		
11	20-0290A18	SIDE PANEL	2		

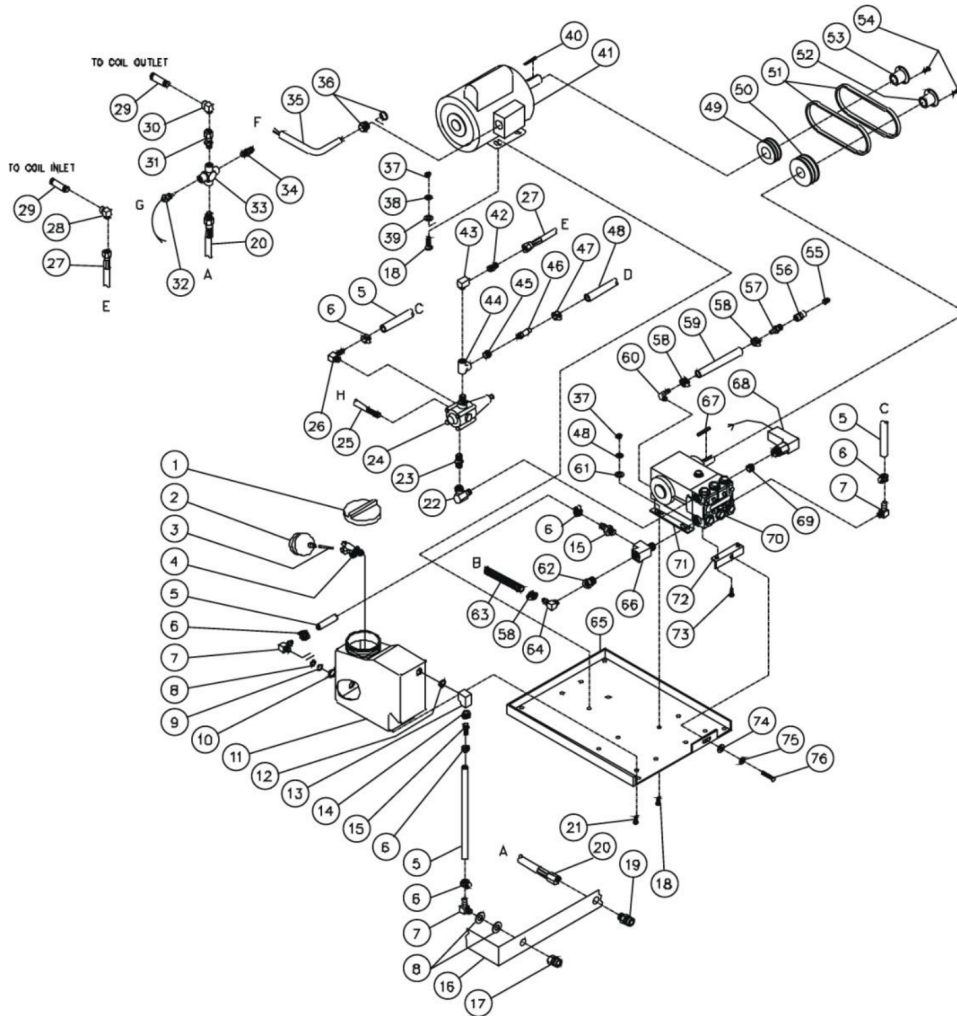
Id	Item #	Description	Quantity	Rev	Comments
12	33-0129	EDGING *(19 FEET REQUIRED)	1		
13	33-0128	LATCH	4		
14	33-0020	EDGING *(11 FEET REQUIRED)	1		
15	20-0289A18	TOP PANEL	1		
16	28-0003	WASHER	12		
17	32-0310	ELECTRICAL JUNCTION BOX	1		
18	N/A	SCREW	1		
19	13-0102A01	ANGLE SUPPORT	4		
20	20-0292A05	BACK PANEL	1		
21	13-0103A01	SUPPORT BRACKET	4		
22	33-0017	COVER	1		
23	30-0002	NUT	1		
24	29-0006	LOCKWASHER	1		
25	28-0002	WASHER	1		
26	27-0015	BOLT	1		
27	32-0085	CONNECTOR	2		
28	30-0159	LOCKNUT	8		
29	20-0312A01	FOOT	4		
30	27-0117	BOLT	8		
31	20-0143A01	PUMP & MOTOR MOUNT PLATE	1		
32	33-0028	VIBRATION PADS	4		

\*MUST ORDER IN ONE FOOT LENGTHS



HG-2205-0M10 / HG-2205-0M10 (sn:15001176-99999999)

## MOTOR/PUMP



Id	Item #	Description	Quantity	Rev	Comments
1	39-0100	FLOAT TANK CAP	1		
2	12-0059	FLOAT BALL	1		
3	31-3318	FLOAT VALVE ROD	1		
4	22-0317	FLOAT VALVE	1		
5	15-0007	HOSE *(TWO FEET REQUIRED)	1		
6	42-0011	HOSE CLAMP	6		
7	23-0053	ELBOW	3		
8	28-0050	WASHER	1		

Id	Item #	Description	Quantity	Rev	Comments
9	26-0001	GARDEN HOSE GASKET	1		
10	30-9506	NUT	1		
11	12-0066	FLOAT TANK	1		
12	N/A SEP.	NUT (SEE 12-0066)	1		
13	23-0391	ELBOW	1		
14	23-0023	BUSHING	1		
15	23-0045	HOSE BARB	1		
16	5-0084A01	FRAME	1		
17	23-0001	SWIVEL	1		
18	27-0117	BOLT	8		
19	17-0007	QUICK CONNECT SOCKET	1		
20	15-0090	HOSE	1		
21	27-9524	BOLT	4		
22	24-0046	ELBOW	1		
23	24-0002	NIPPLE	1		
24	8-0013	UNLOADER (HG-1505-0M10)	1		
24	8-0012	UNLOADER (HG-2004/2205/3004-0M10)	1		
25	15-0072	HOSE	1		
26	23-0050	ELBOW	1		
27	15-0089	HOSE	1		
28	24-0006	ELBOW	1		
29	24-0103	NIPPLE	2		
30	24-0011	ELBOW	1		
31	24-0049	CONNECT	1		
32	22-0118	THERMO PROBE	1		
33	24-0001	CROSS	1		
34	32-0303	HIGH LIMIT TEMPERATURE CONTROL	1		
35	32-0022	CORD *(THREE FEET REQUIRED) (HG-1505/2004-0M10)	1		
35	32-0021	CORD *(THREE FEET REQUIRED) (HG-2205/3004-0M10)	1		
36	32-0085	CONNECTOR	1		
37	30-0006	NUT	8		
38	29-0008	LOCKWASHER	8		
39	28-0023	WASHER	4		
40	43-0039	KEY WITH MOTOR	1		
41	2-0054	MOTOR (HG-1505/2004-0M10)	1		
41	2-0055	MOTOR (HG-2205/3004-0M10)	1		
42	24-0010	NIPPLE	1		
43	24-0105	ELBOW	1		
44	24-0026	TEE	1		

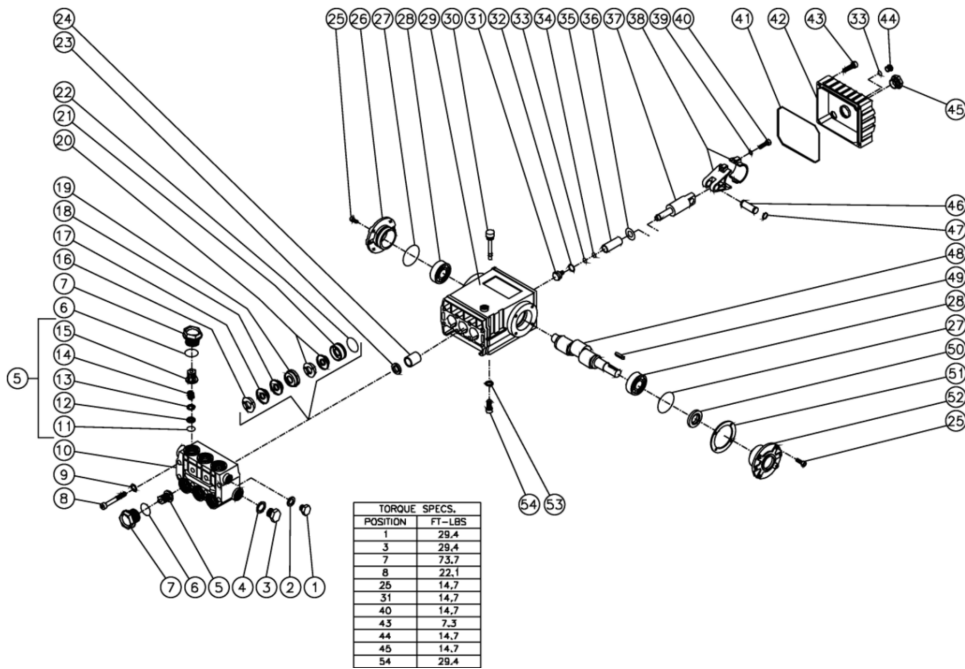
Id	Item #	Description	Quantity	Rev	Comments
45	23-0017	BUSHING	1		
46	22-0046	POP-OFF VALVE	1		
47	42-0003	HOSE CLAMP	1		
48	15-0033	HOSE *(TWO FEET REQUIRED)	1		
49	10-0029	MOTOR SHEAVE (HG-1505/2004-0M10)	1		
49	10-0030	MOTOR SHEAVE (HG-2205/3004-0M10)	1		
50	10-0065	PUMP SHEAVE (HG-1505-0M10)	1		
50	10-0026	PUMP SHEAVE (HG-2004-0M10)	1		
50	10-0035	PUMP SHEAVE (HG-2205/3004-0M10)	1		
51	11-0031	BELT (HG-1505-0M10)	1		
51	11-0006	BELT (HG-2004-0M10)	1		
51	11-0030	BELT (HG-2205/3004-0M10)	1		
52	9-0017	PUMP BUSHING	1		
53	9-0010	MOTOR BUSHING (HG-1505/2004-0M10)	1		
53	9-0008	MOTOR BUSHING (HG-2205/3004-0M10)	1		
54	27-0015	BOLT	1		
55	24-0009	PLUG	1		
56	23-0002	CONNECTOR	1		
57	23-0069	HOSE BARB	1		
58	42-0004	HOSE CLAMP	3		
59	15-0020	HOSE *(TWO FEET REQUIRED)	1		
60	23-0123	ELBOW	1		
61	28-0030	WASHER	4		
62	23-0056	REDUCER	1		
63	15-0079	HOSE *(THREE FEET REQUIRED)	1		
64	23-0054	ELBOW	1		
65	20-0143A01	PLATE	1		
66	23-0124	TEE	1		
67	43-0048	KEY WITH PUMP	1		
68	22-0243	PRESSURE SWITCH ASSEMBLY	1		
69	23-0056	REDUCER	1		
70	3-0008	PUMP (HG-1505/2004-0M10)	1		
70	3-0009	PUMP (HG-2205-0M10)	1		
70	3-0202	PUMP (HG-3004-0M10)	1		
71	46-0066	PUMP FOOT	2		
72	13-0050A01	PUMP TIGHTENER	1		
73	27-8471	BOLT WITH PUMP	4		
74	28-0003	WASHER	1		
75	29-0007	LOCKWASHER	1		

Id	Item #	Description	Quantity	Rev Comments
76	27-0526	BOLT *MUST ORDER IN ONE FOOT LENGTHS	1	



HG-2205-0M10 / HG-2205-0M10 (sn:15001176-99999999)

## PUMP ASSEMBLY

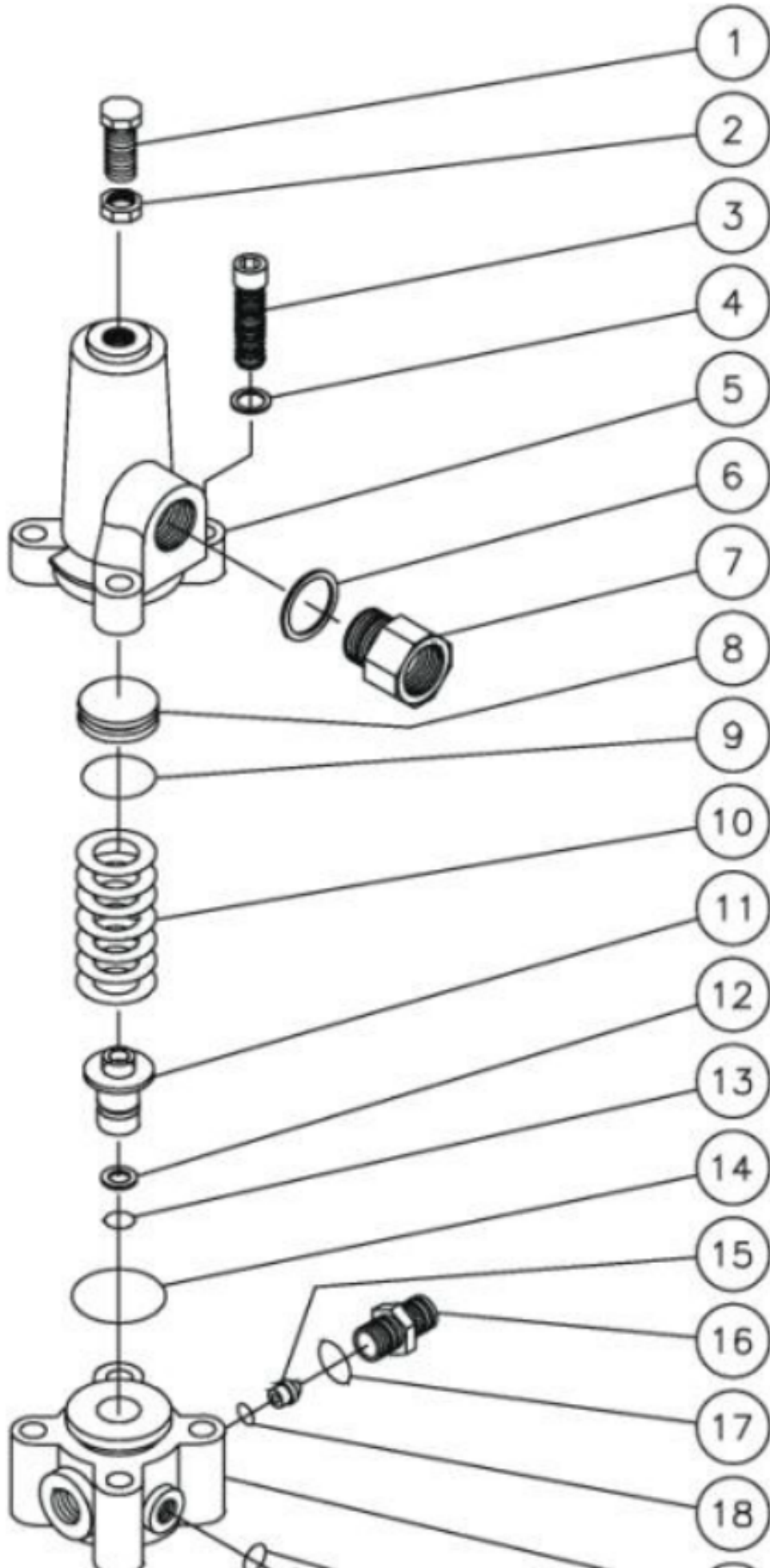


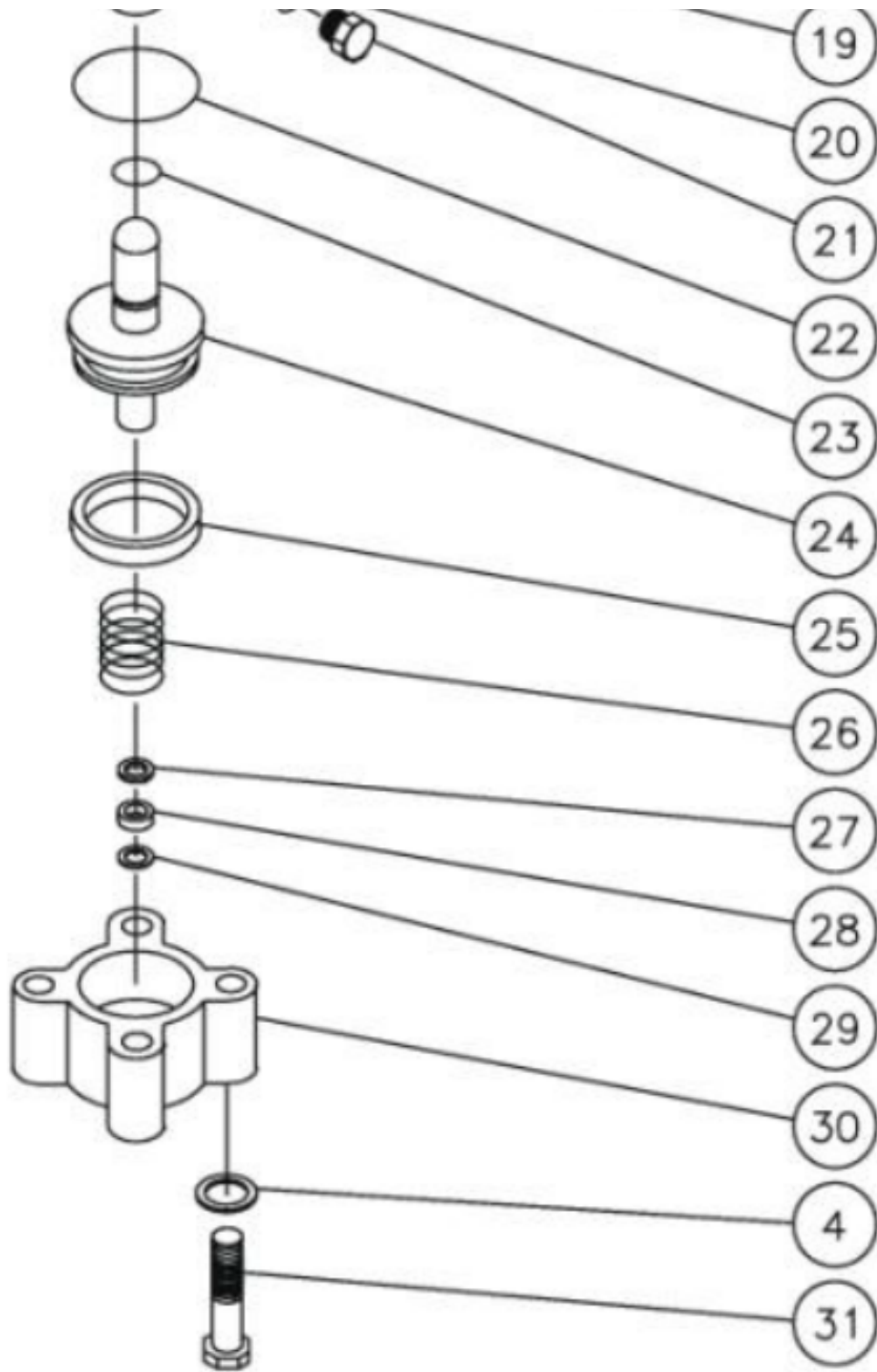
Id	Item #	Description	Quantity	Rev	Comments
1	39-0018	PLUG	1		
2	28-1002	WASHER	1		
3	39-0019	PLUG	1		
4	28-1038	WASHER	1		
5	N/A Sep.	VALVE ASSEMBLY (INCLUDES 11-15) (SEE 70-0009)	6		
6	25-0012	O-RING	6		
7	39-0020	VALVE PLUG	6		
8	27-8185	BOLT	8		
9	28-1039	FLATWASHER	8		
10	46-0060	PUMP MANIFOLD	1		
11	N/A Sep.	O-RING (SEE 70-0009)	6		
12	N/A SEP.	VALVE SEAT (SEE 70-0009)	6		
13	N/A SEP.	VALVE PLATE (SEE 70-0009)	6		
14	N/A Sep.	VALVE SPRING (SEE 70-0009)	6		
15	N/A SEP.	VALVE CAGE (SEE 70-0009)	6		

<b>Id</b>	<b>Item #</b>	<b>Description</b>	<b>Quantity</b>	<b>Rev</b>	<b>Comments</b>
16	N/A Sep.	HEAD RING (SEE 70-0029, 852-0123)	3		
17	N/A Sep.	V-PACKING (SEE 70-0149, 852-0123)	3		
18	N/A Sep.	V-PACKING (SEE 70-0149, 852-0123, 70-0150)	3		
19	46-0660	SEAL RETAINER (SEE 70-0150)	3		
20	N/A Sep.	SEAL (SEE 70-0149, 852-0123)	3		
21	46-0058	SEAL RETAINER	3		
22	25-0015	O-RING (SEE 852-0123)	3		
23	26-0047	OIL SEAL	3		
24	9-0029	BUSHING	3		
25	27-8431	BOLT	8		
26	46-0336	CRANKCASE COVER- CLOSED	1		
27	25-0013	O-RING	2		
28	48-0012	TAPER ROLLER BEARING	2		
29	46-0047	CRANKCASE	1		
30	46-0144	OIL DIPSTICK	1		
31	46-0069	PISTON BOLT	3		
32	28-0400	WASHER	3		
33	25-0014	O-RING	4		
34	46-0109	BACK-UP RING	3		
35	46-0053	PLUNGER	3		
36	46-0146	FLINGER WASHER	3		
37	46-0056	PISTON ROD	3		
38	46-0051	CONNECTING ROD	3		
39	29-0154	LOCKWASHER	6		
40	27-8435	BOLT	6		
41	25-0339	O-RING COVER	1		
42	46-0295	CRANKCASE COVER	1		
43	27-8404	BOLT	5		
44	39-0017	PLUG	1		
45	46-0114	OIL LEVEL INDICATOR	1		
46	43-0032	CONNECTING ROD PIN	3		
47	46-0103	RETAINING RING	6		
48	46-0050	CRANKSHAFT	1		
49	43-0048	KEY	1		
50	26-0049	OIL SEAL	1		
51	46-0113	SHIM	1		
52	46-0296	CRANKCASE COVER-OPEN	1		
53	29-0055	LOCKWASHER	4		
54	27-8471	BOLT	4		

<b>Id</b>	<b>Item #</b>	<b>Description</b>	<b>Quantity</b>	<b>Rev</b>	<b>Comments</b>
KIT	70-0009	VALVE KIT (INC. 6 EACH OF 5, 11-15)			
KIT	70-0029	HEAD RING KIT (INC. 3 EACH OF 16)			
KIT	70-0149	PACKING KIT (INC. 3 EACH OF 17-18, 20)			
KIT	852-0123	PACKING KIT (INC. 3 EACH OF 16-18, 20, 22)			
KIT	70-0150	INTERMEDIATE RETAINER KIT (INC. 3 EACH OF 18-19)			

# UNLOADER ASSEMBLY





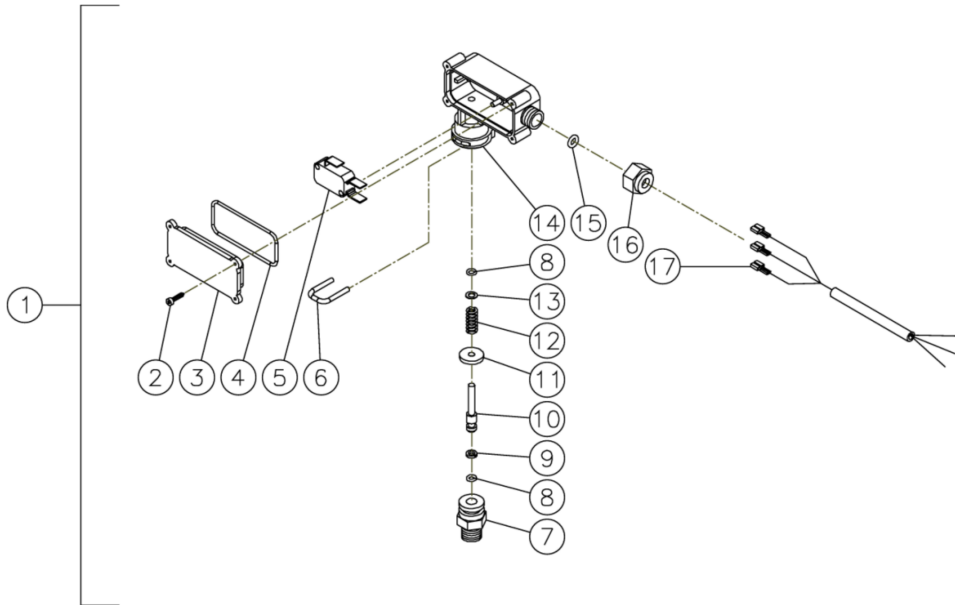
Id	Item #	Description	Quantity	Rev	Comments
1	27-8077	BOLT	1		
2	30-3010	HEX NUT	1		
3	27-8434	BOLT	4		
4	29-0154	LOCKWASHER	8		
5	8-0138	UPPER BODY	1		
6	8-0277	WASHER	1		
7	8-0125	BY-PASS RESTRICTOR (8-0012)	1		
7	8-0124	BY-PASS RESTRICTOR (8-0013)	1		
8	8-0135	SPRING GUIDE	1		

Id	Item #	Description	Quantity	Rev	Comments
9	25-0118	O-RING	1		
10	49-0026	SPRING	1		
11	8-0145	VALVE SEAT	1		
12	8-0141	BACK-UP RING	1		
13	25-0121	O-RING	1		
14	25-0117	O-RING	1		
15	8-0126	FLOW BALANCER FOR 8-0012	1		
15	8-0128	FLOW BALANCER FOR 8-0013	1		
16	8-0130	NIPPLE	1		
17	25-0052	O-RING	1		
18	25-0119	O-RING	1		
19	8-0137	MIDDLE BODY	1		
20	25-0114	O-RING	2		
21	39-0017	HEX PLUG	2		
22	25-0056	O-RING	1		
23	25-0120	O-RING	1		
24	8-0136	PISTON ASSEMBLY	1		
25	26-0104	SEAL	1		
26	49-0027	SPRING	1		
27	8-0139	WASHER	1		
28	26-0105	SEAL	1		
29	8-0140	BACK-UP RING	1		
30	8-0134	LOWER BODY	1		
31	27-8037	BOLT	4		
KIT	70-0013	UNLOADER REPAIR KIT (INC. 9, 11, 13, 14, 17, 18, 20, 22-26, 28, 29)			
KIT	852-0015	UNLAODER ORIFICE KIT (INC. 7, 15, 16) FOR 8-0013			
KIT	852-0014	UNLAODER ORIFICE KIT (INC. 7, 15, 16) FOR 8-0012			



· HG-2205-0M10 / HG-2205-0M10 (sn:15001176-99999999)

## PRESSURE SWITCH



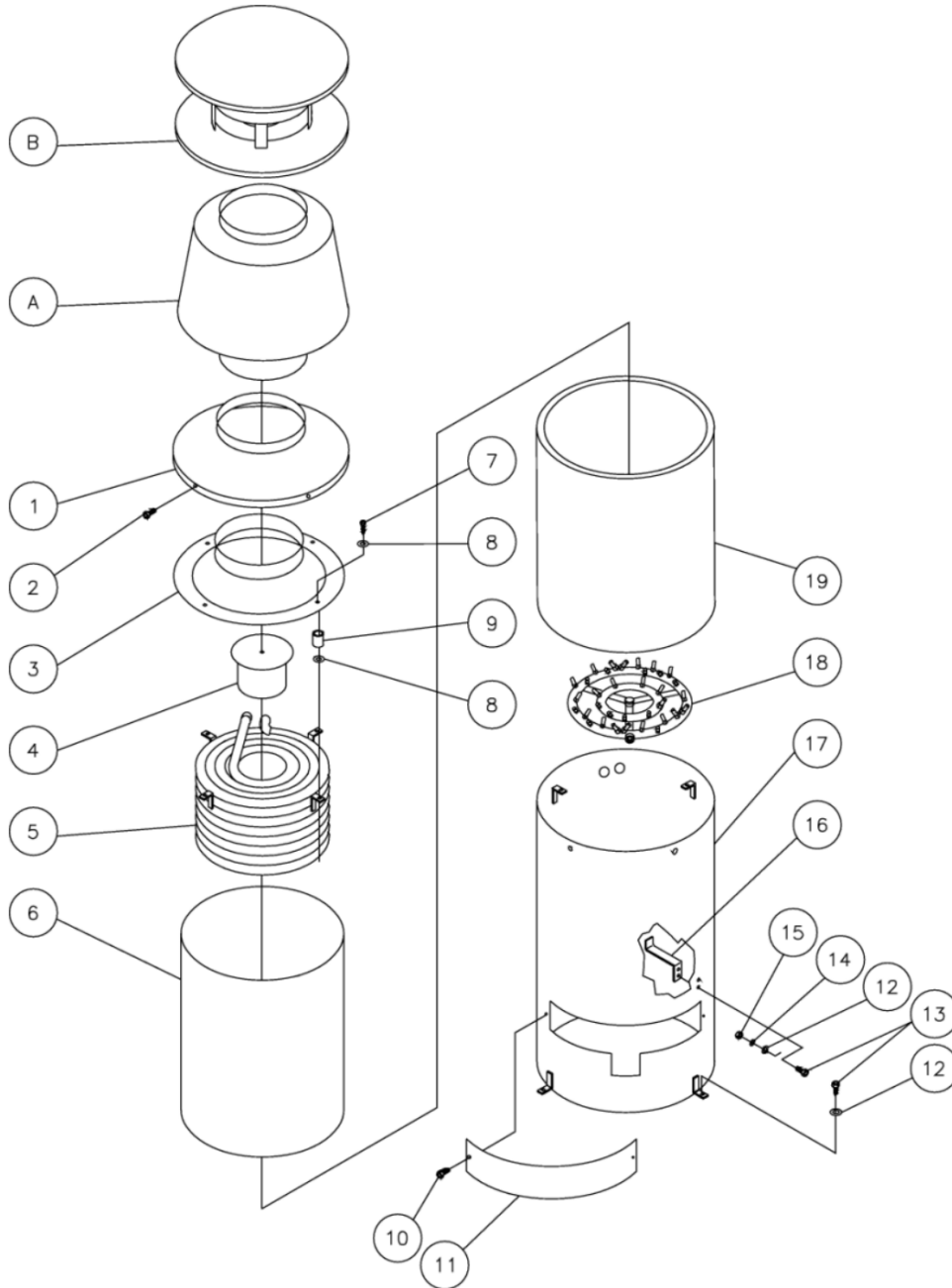
Id	Item #	Description	Quantity	Rev	Comments
1	22-0171	PRESSURE SWITCH- 15 BAR	1		
1	22-0243	PRESSURE SWITCH- 25 BAR	1		
2	N/A	SCREW	4		
3	N/A	COVER	1		
4	N/A Sep.	O-RING (SEE 70-0306)	1		
5	N/A	MICRO SWITCH	1		
6	N/A	RETAINER CLIP	1		
7	N/A	BODY	1		
8	N/A Sep.	O-RING (SEE 70-0306)	2		
9	N/A Sep.	BACK-UP RING (SEE 70-0306)	1		
10	N/A	PISTON	1		
11	N/A	WASHER	1		
12	49-0144	SPRING- 15 BAR	1		
12	49-0145	SPRING- 25 BAR	1		
13	N/A	WASHER	1		
14	N/A	PLASTIC HOUSING	1		

<b>Id</b>	<b>Item #</b>	<b>Description</b>	<b>Quantity</b>	<b>Rev</b>	<b>Comments</b>
15	N/A Sep.	O-RING (SEE 70-0306)	1		
16	N/A	NUT- 15 BAR	1		
16	N/A	NUT- 25 BAR	1		
17	N/A	WIRE ASSEMBLY	1		
KIT	70-0306	O-RING REPAIR KIT (INC. 4, 8-9, 15)			



HG-2205-0M10 / HG-2205-0M10 (sn:15001176-99999999)

## BOILER ASSEMBLY



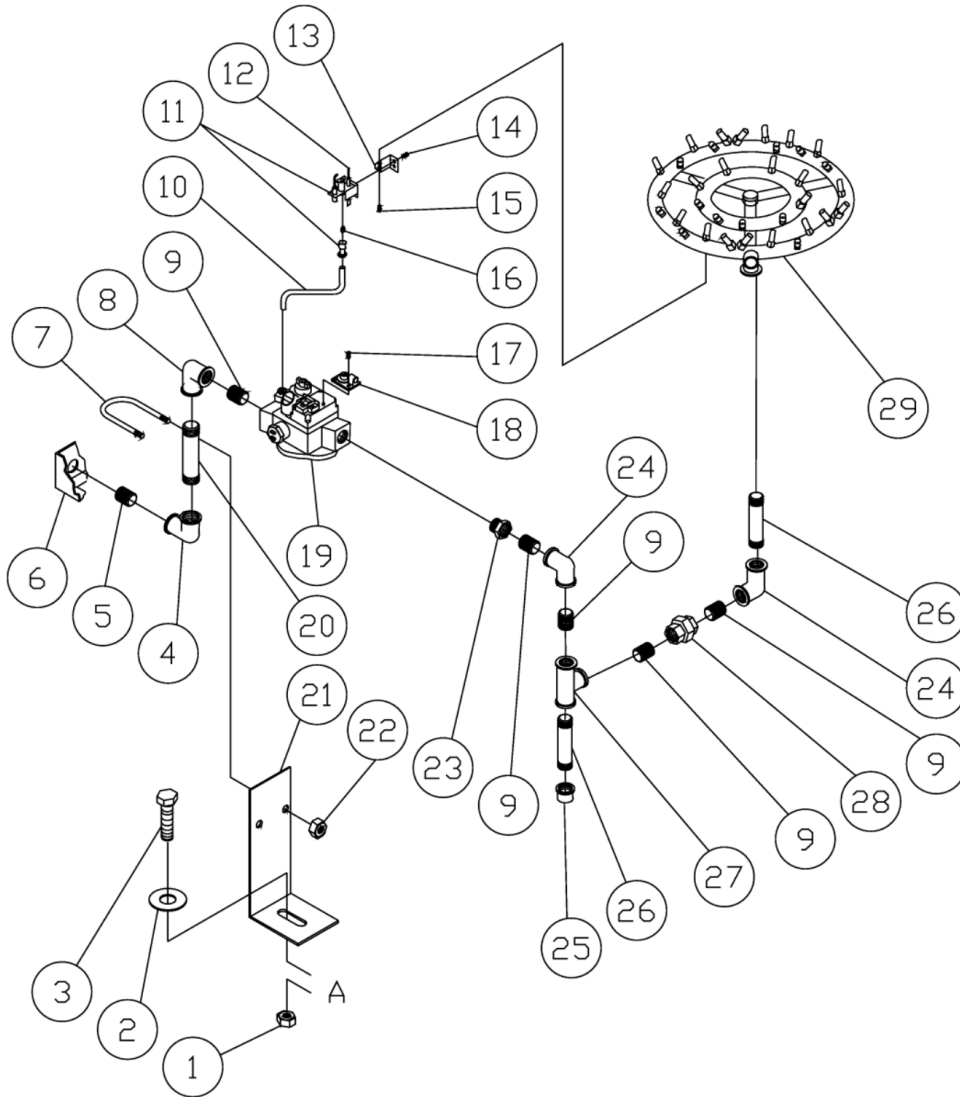
Id	Item #	Description	Quantity	Rev	Comments
1	20-0299A01	SPUN DOME	1		
2	27-2930	SCREW	4		
3	20-0302	SPUN DOME	1		

<b>Id</b>	<b>Item #</b>	<b>Description</b>	<b>Quantity</b>	<b>Rev</b>	<b>Comments</b>
4	20-0300	TARGET ASSEMBLY	1		
5	850-0130	COIL	1		
6	850-0133	ROLLED INNER WRAP	1		
6	57-0028	INNER WRAP	1		
7	27-0069	BOLT	4		
8	28-0023	WASHER	8		
9	21-0082	SPACER	4		
10	27-3062	BOLT	2		
11	20-0301A01	COVER	1		
12	28-0003	WASHER	10		
13	27-0067	BOLT	10		
14	29-0007	LOCKWASHER	6		
15	30-0004	HEX NUT	6		
16	13-0104A01	BRACKET	3		
17	20-0293A01	OUTER COIL WRAP	1		
18	4-0011	BURNER	1		
19	850-0132	INSULATION BLANKET	1		
A	50-0061	DRAFT DIVERTER OPTION			
B	50-0062	RAIN CAP OPTION			



HG-2205-0M10 / HG-2205-0M10 (sn:15001176-99999999)

## BURNER/PIPING



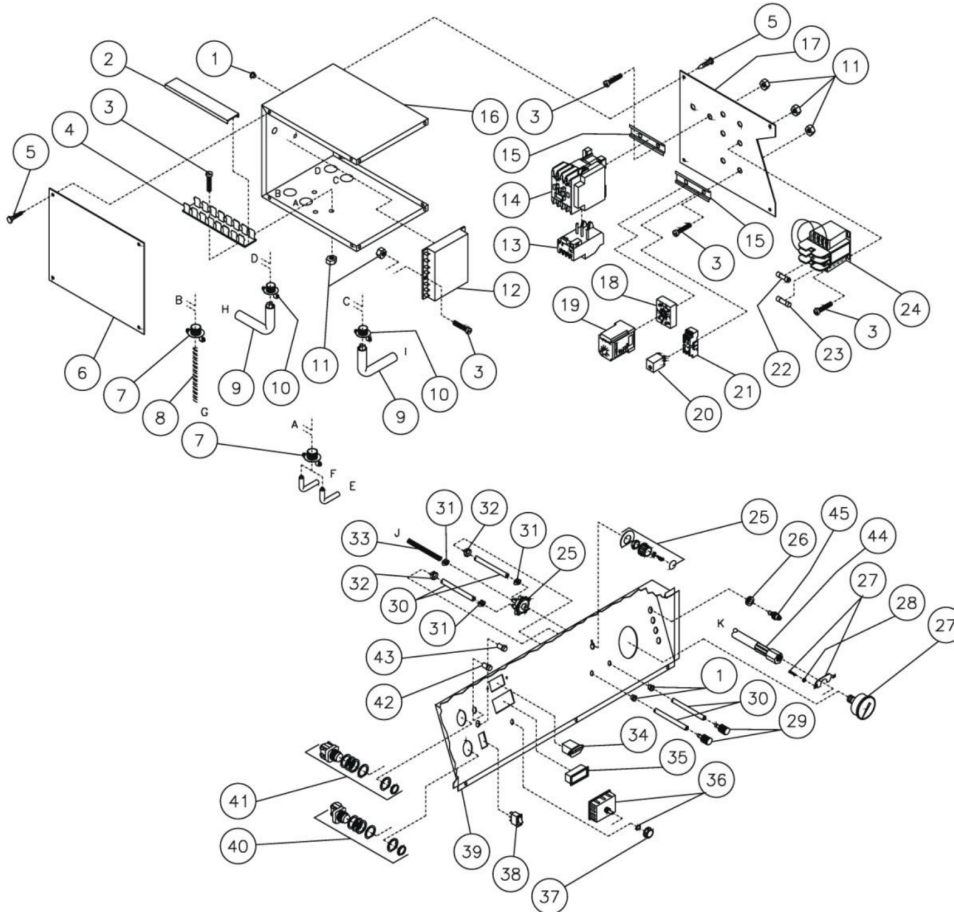
Id	Item #	Description	Quantity	Rev	Comments
1	30-0157	LOCKNUT	1		
2	28-0003	WASHER	1		
3	27-0066	BOLT	1		
4	24-0096	ELBOW	1		
5	24-0012	NIPPLE	1		
6	5-0084A01	FRAME	1		
7	31-2008	U-BOLT	1		

<b>Id</b>	<b>Item #</b>	<b>Description</b>	<b>Quantity</b>	<b>Rev</b>	<b>Comments</b>
8	24-0098	ELBOW	1		
9	24-0095	NIPPLE	4		
10	54-0027	TUBING	1		
11	44-0074	IGNITOR	1		
12	44-0075	SENSOR	1		
13	13-0107A01	BRACKET	1		
14	27-2096	SCREW	2		
15	27-0014	BOLT	2		
16	44-0078	ORIFICE - NG PILOT	1		
17	N/A SEP.	SCREW (SEE 70-0078)	1		
18	70-0078	REGULATOR KIT	1		
19	22-0144	GAS REGULATOR	1		
20	24-0252	NIPPLE	1		
21	13-0106A01	BRACKET	1		
22	30-0155	LOCKNUT	1		
23	24-0106	BUSHING	1		
24	24-0102	ELBOW	2		
25	24-0099	CAP	1		
26	24-0081	NIPPLE	2		
27	24-0253	TEE	1		
28	24-0101	UNION	1		
29	4-0011	BURNER	1		



HG-2205-0M10 / HG-2205-0M10 (sn:15001176-99999999)

## CONTROL PANEL



Id	Item #	Description	Quantity	Rev	Comments
1	9-0028	BUSHING	3		
2	32-0318	DUCT COVER *(ONE FOOT REQUIRED)	1		
3	27-2930	SCREW	11		
4	32-0317	DUCT BASE *(ONE FOOT REQUIRED)	1		
5	27-3062	BOLT	8		
6	20-0296A01	ELECTRIC BOX PANEL	1		
7	32-0076	CONNECTOR	2		
8	32-0114	WRAP *(THREE FEET REQUIRED)	1		
9	32-0022	CORD *(EIGHT FEET REQUIRED) (HG-1505/2004-0M10)	1		
9	32-0021	CORD *(EIGHT FEET REQUIRED) (HG-2205/3004-0M10)	1		

Id	Item #	Description	Quantity	Rev	Comments
10	32-0085	CONNECTOR	2		
11	30-0154	LOCKNUT	8		
12	32-0319	CONTROLLER	1		
13	32-0484	OVERLOAD (HG-1505/2004-0M10)	1		
13	32-0485	OVERLOAD (HG-2205/3004-0M10)	1		
14	32-0597	CONTACTOR (HG-1505/2004-0M10)	1		
14	32-0328	CONTACTOR (HG-2205/3004-0M10)	1		
15	32-0316	DIN RAIL *(ONE FOOT REQUIRED)	1		
16	20-0295A01	ELECTRICAL BOX	1		
17	20-0297A01	ELECTRICAL BOX PANEL	1		
18	32-0315	BASE SOCKET	1		
19	32-0314	TIMER	1		
20	32-0320	RELAY	1		
21	32-0321	RELAY SOCKET	1		
22	32-0325	FUSE-PRIMARY	2		
23	32-0323	FUSE-SECONDARY	1		
24	32-0313	TRANSFORMER	1		
25	22-0090	VALVE	1		
26	33-0001	GROMMET	4		
27	22-0073	GAUGE	1		
28	30-0202	HEX NUT	2		
29	19-0002	STRAINER	2		
30	15-0021	HOSE *(TEN FEET REQUIRED)	1		
31	42-0004	HOSE CLAMP	3		
32	33-0022	CABLE TIE	2		
33	15-0079	HOSE *(THREE FEET REQUIRED)	1		
34	32-0431	HOUR METER	1		
35	22-0142	TEMPERATURE METER	1		
36	22-0143	THERMOSTAT	1		
37	7-0054	KNOB	1		
38	32-0309	SWITCH	1		
39	20-0294A01	CONTROL PANEL	1		
40	32-0306	SWITCH	1		
41	32-0305	SWITCH	1		
41	32-0415	CONTACTOR BLOCK	1		
42	32-0307	INDICATOR LIGHT	1		
43	32-0308	INDICATOR LIGHT	1		
44	15-0072	HOSE	1		
45	18-0112	NOZZLE - 0 (HG-1505) 00075	1		

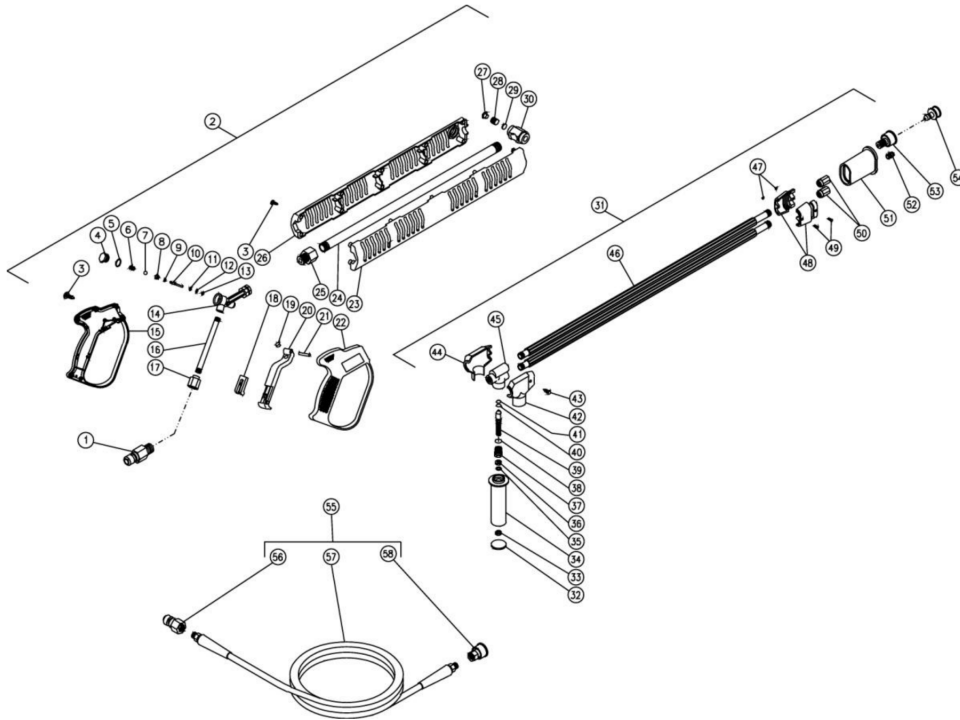
<b>Id</b>	<b>Item #</b>	<b>Description</b>	<b>Quantity</b>	<b>Rev</b>	<b>Comments</b>
45	18-0003	NOZZLE - 0 (HG-2004) 0050	1		
45	18-0013	NOZZLE - 0 (HG-2205) 00060	1		
45	18-0028	NOZZLE - 0 (HG-3004) 00040	1		
45	18-0025	NOZZLE - 15 (HG-1505) 15075	1		
45	18-0004	NOZZLE - 15 (HG-2004) 15050	1		
45	18-0014	NOZZLE - 15 (HG-2205) 15060	1		
45	18-0029	NOZZLE - 15 (HG-3004) 15040	1		
45	18-0027	NOZZLE - 25 (HG-1505) 25075	1		
45	18-0153	NOZZLE - 25 (HG-2004) 25050	1		
45	18-0043	NOZZLE - 25 (HG-2205) 25060	1		
45	18-0030	NOZZLE - 25 (HG-3004) 25040	1		
45	18-0103	NOZZLE - 40 (HG-1505) 40075	1		
45	18-0180	NOZZLE - 40 (HG-2004) 40050	1		
45	18-0044	NOZZLE - 40 (HG-2205) 40060	1		
45	18-0031	NOZZLE - 40 (HG-3004) 40040	1		

\*MUST ORDER IN ONE FOOT LENGTHS



HG-2205-0M10 / HG-2205-0M10 (sn:15001176-99999999)

## DUAL LANCE



Id	Item #	Description	Quantity	Rev	Comments
1	17-0005	QUICK CONNECT PLUG	1		
2	850-0179	GUN W/LANCE ASSEMBLY (INC. 3-30)	1		
3	27-8382	SCREW	13		
4	N/A Sep.	PLUG (SEE 70-0057)	1		
5	N/A Sep.	O-RING (SEE 70-0057)	1		
6	N/A Sep.	SPRING (SEE 70-0057)	1		
7	N/A Sep.	BALL (SEE 70-0057)	1		
8	N/A Sep.	SEAT (SEE 70-0057)	1		
9	N/A Sep.	O-RING (SEE 70-0057)	1		
10	N/A Sep.	PIN (SEE 70-0057)	1		
11	N/A Sep.	WASHER (SEE 70-0057)	1		
12	N/A Sep.	O-RING (SEE 70-0057)	1		
13	N/A Sep.	BACK-UP RING (SEE 70-0057)	1		
14	23-0295	HOUSING	1		

Id	Item #	Description	Quantity	Rev	Comments
15	16-0336	PLASTIC HOUSING (LEFT SIDE)	1		
16	21-0095	PIPE	1		
17	23-0174	NIPPLE	1		
18	16-0332	TRIGGER SAFETY LOCK	1		
19	16-0333	TRIGGER REST	1		
20	16-0335	TRIGGER	1		
21	43-0069	TRIGGER PIN	1		
22	16-0334	PLASTIC HOUSING (RIGHT SIDE)	1		
23	N/A SEP.	GUARD LANCE (RIGHT SIDE) (SEE 70-0324)	1		
24	16-0277	PIPE	1		
25	16-0283	ADAPTER	1		
26	N/A SEP.	GUARD LANCE (LEFT SIDE) (SEE 70-0324)	1		
27	39-0076	PLUG	1		
28	49-0103	SCREW	1		
29	16-0282	SPACER	1		
30	N/A SEP.	LANCE HOLDER (SEE 850-0179)	1		
31	850-0186	DUAL LANCE ASSEMBLY (INC. 32-53)	1		
32	16-0312	HANDLE PLUG	1		
33	30-3002	HEX NUT	1		
34	16-0313	HANDLE	1		
35	28-1021	WASHER	1		
36	30-3010	HEX NUT	1		
37	23-0271	HEX ADAPTER	1		
38	25-0351	O-RING	1		
39	16-0314	STEM PISTON	1		
40	25-0352	BACK-UP RING	1		
41	25-0353	O-RING	1		
42	16-0315	UPPER PROTECTOR	1		
43	16-0316	LOWER PROTECTOR	1		
44	23-0272	BODY	1		
45	27-8862	SCREW	1		
46	16-0328	LANCE W/PROTECTIVE COVER	2		
47	30-3060	HEX NUT	2		
48	16-0318	PIPE CLAMP	2		
49	27-8861	SCREW	2		
50	24-0127	NIPPLE	2		
51	16-0319	NOZZLE PROTECTOR	1		
52	18-0110	DETERGENT NOZZLE	1		
53	17-0028	QUICK CONNECT SOCKET	1		

Id	Item #	Description	Quantity	Rev	Comments
54	18-0025	NOZZLE - 15075 FOR HG-1505-0M10 & HG-1505-0M30	1		
54	18-0027	NOZZLE - 25075 FOR HG-1505-0M10 & HG-1505-0M30	1		
54	18-0103	NOZZLE - 40075 FOR HG-1505-0M10 & HG-1505-0M30	1		
54	18-0112	NOZZLE - 00075 FOR HG-1505-0M10 & HG-1505-0M30	1		
54	18-0003	NOZZLE - 0005 FOR HG-2004-0M10 & HG-2004-0M30	1		
54	18-0004	NOZZLE - 1505 FOR HG-2004-0M10 & HG-2004-0M30	1		
54	18-0153	NOZZLE - 2505 FOR HG-2004-0M10 & HG-2004-0M30	1		
54	18-0180	NOZZLE - 4005 FOR HG-2004-0M10 & HG-2004-0M30	1		
54	18-0013	NOZZLE - 0006 FOR HG-2205-0M10 & HG-2205-0M30	1		
54	18-0014	NOZZLE - 1506 FOR HG-2205-0M10 & HG-2205-0M30	1		
54	18-0043	NOZZLE - 2506 FOR HG-2205-0M10 & HG-2205-0M30	1		
54	18-0044	NOZZLE - 4006 FOR HG-2205-0M10 & HG-2205-0M30	1		
55	851-0007	HOSE ASSEMBLY - 3000 PSI (INC. 56-58)	1		
56	17-0006	QUICK CONNECT PLUG	1		
57	15-0003	HOSE ASSEMBLY	1		
58	17-0004	QUICK CONNECT SOCKET	1		
	70-0057	GUN REPAIR KIT (INC. 1 EACH 3-12)			
	70-0143	O-RING KIT (INC. 1 EACH 45, 47 & 48)			
	70-0324	KIT-PLASTIC HOUSING (INC. 3, 23, 26, 27)			