



# MODEL: DG

## OPERATING INSTRUCTION AND PARTS MANUAL

---

■ DG-2323

■ DG-2324

■ DG-2527

■ DG-3030

■ DG-3532

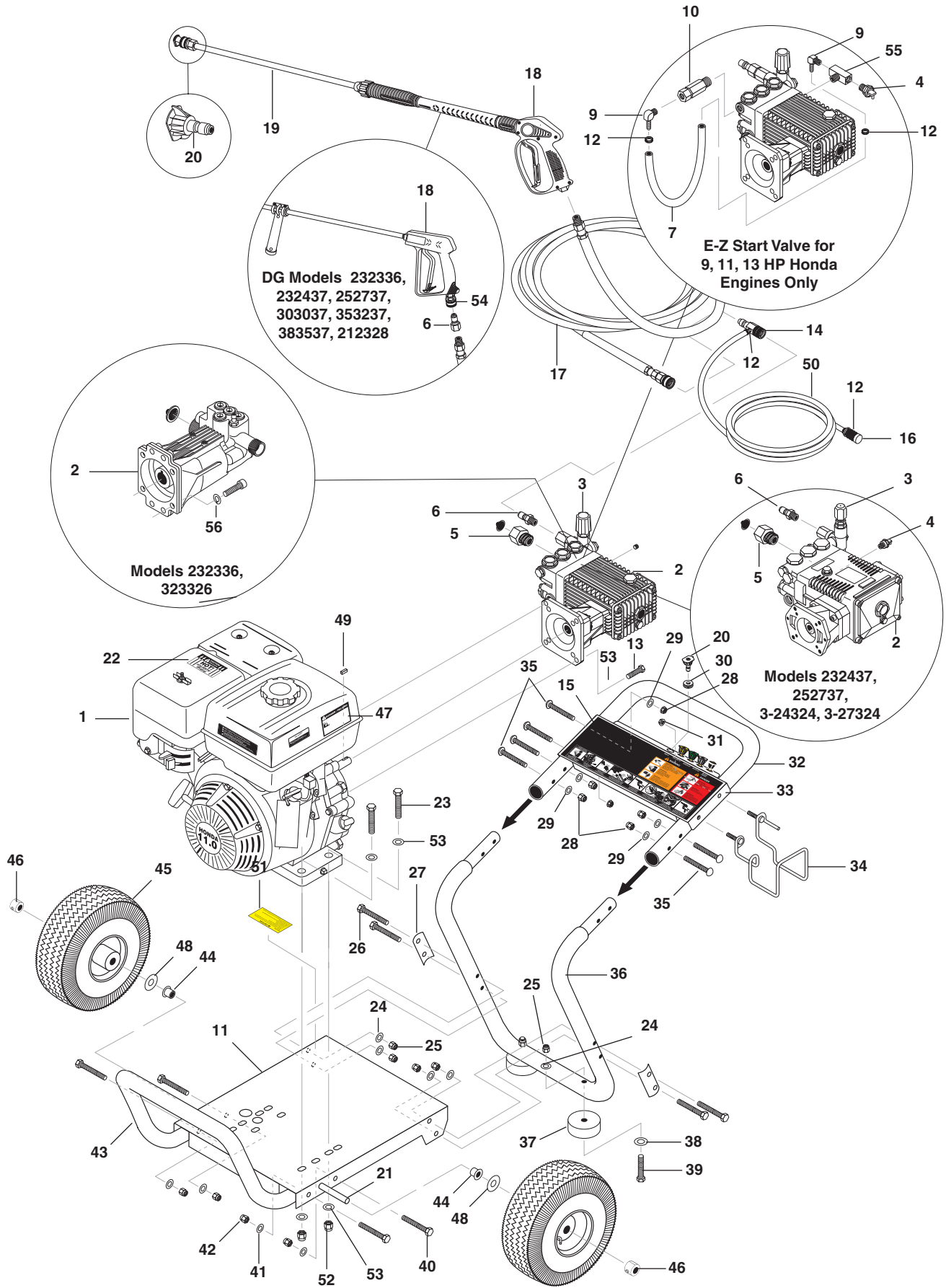
■ DG-3835

■ DG-2123

---



# EXPLODED VIEW



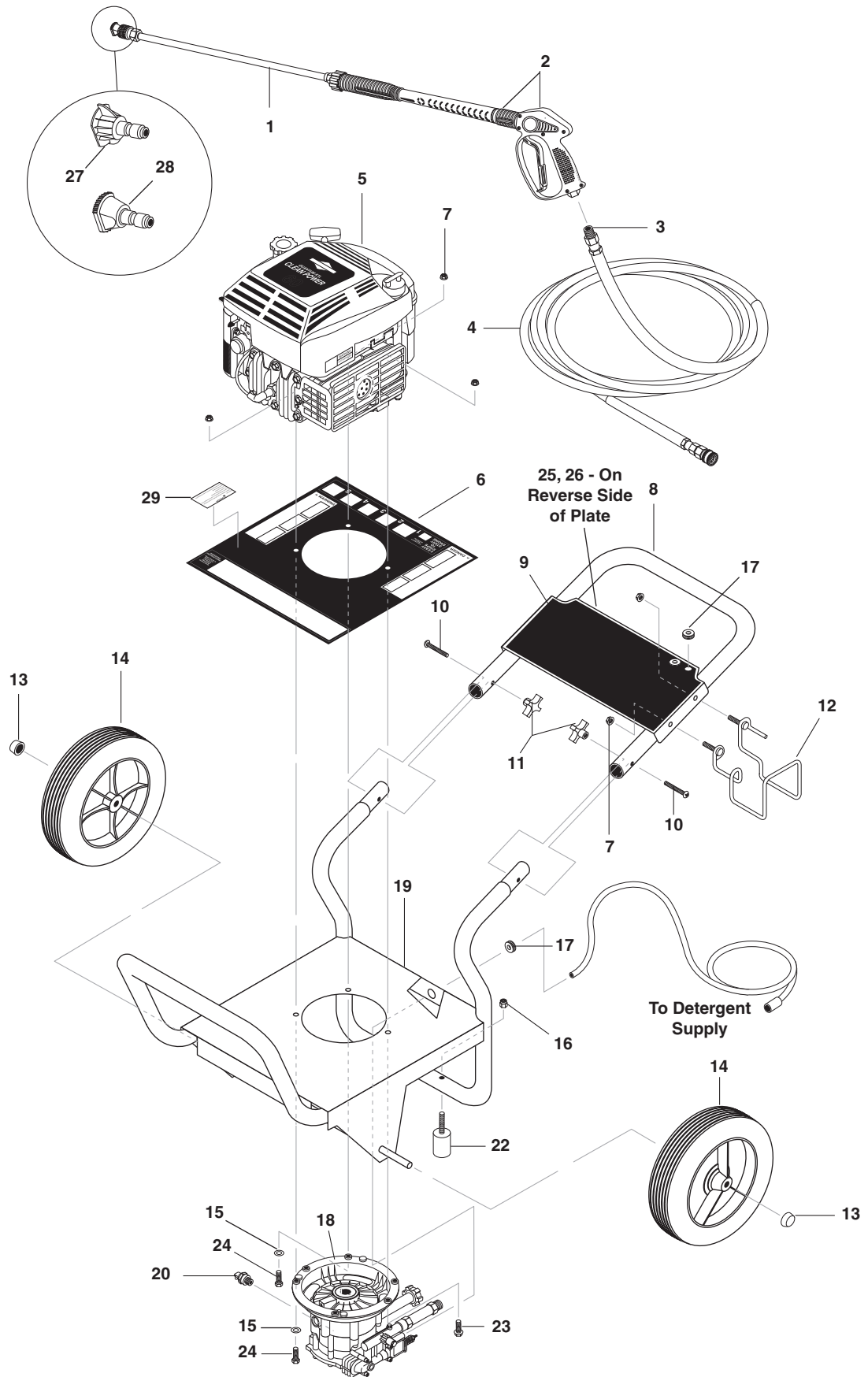
## EXPLODED VIEW PARTS LIST

ITEM	PART NO.	DESCRIPTION	QTY	ITEM	PART NO.	DESCRIPTION	QTY
1		Engine, See Specifications Page		15	10-08020	Label, Instructions, PC Models	1
2		Pump, See Specifications Page			11-0359	Label, Instructions, DB Models	1
3		Unloader, See Specifications Page			11-0358	Label, Instructions, DG Models	1
4	2-300812	Pump Protector, 1/4" 145° (232437, 252737, 3-24324, 3-27324, 4-35324, 252739, 232439)	1	16	2-1904	Strainer, Plastic, 1/4" Hose Barb1	
	2-30082	Pump Protector, 1/2" PTP (303039, 383539, 330324, 303037, 330124 353237, 383537)	1	17		Hose, High Pressure, See Specifications Page	
5	2-10942	Swivel, 1/2" MP x 3/4" GHF (232437, 232439, 252737, 303037, 303039, 3-30324, 3-30124 3-24324, 353237, 383537, 383539, 4-35324, 3-27324, 252739)	1	18	4-011137	Spray Gun, SK2, 3/8" Inlet, Lance W/M22CPLR (DB, PC Models)	1
6	2-2006	Nipple, 3/8" x 3/8" NPT ST Fem (252739)	2		4-01246	Spray Gun, AP 1000 (DG Models)	1
	2-2007	Nipple, 3/8" x 3/8" MPT Male (303039, 3-30324, 4-35324, 232437, 252739, 303037, 353237, 383537, 3-27324, 252737, 383539, 3-24324, 3-30124, 232439)	1	19	4-011106	Wand, 18" M22 x 1/4" QC (DB, PC Models)	1
7	4-02100000	Hose, 1/4" Push-on (E-Z-Start, 9 HP, 11 HP, 13 HP Honda)	14 in		4-0110322	Wand Assy, Side Grip w/1/4" Coupler (DG Models)	1
8	8.707-182.0	▲ Coupler, Twist Connect, M22-F x 3/8" FNPT (232336 and 23326)	1	20		Nozzle Size, See Page 19 For Proper Size	
9	2-1088	Hose, Barb, 1/4" Barb x 1/8" MP, 90° (E-Z Start) (11 HP, 13 HP Honda)	1 2		4-12803000	Nozzle, 3.0 0° Red	1
	2-1089	Hose Barb, 1/4" Barb x 1/4" Pipe (9 HP)	1		4-12803015	Nozzle, 3.0 15° Yellow	1
10	2-3100544	Valve, E-Z Start 3/8" MPT x 1/8" FPT(9HP, 11HP, 13HP Honda)	1		4-12803025	Nozzle, 3.0 25° Green	1
11	95-07104965	Base, CW Direct, Black (PC Models)	1		4-12803040	Nozzle, 3.0 40° White	1
	95-07104927	Base, CW Direct, Red (DB, DG Models)	1		4-12803500	Nozzle, 3.5 0° Red	1
12	2-9040	Clamp, Hose, (E-Z Start, 9 HP, 11 HP, 13 HP Honda) (5.5HP, 6HP)	4 2		4-12803515	Nozzle, 3.5 15° Yellow	1
13	90-10074	Bolt, 5/16"-24" x 1" NF, HH (3-23326)	4		4-12803525	Nozzle, 3.5 25° Green	1
	90-1017	Bolt, 3/8" x 1-1/4" NC, HH (9 HP, 11 HP, 13 HP)	4		4-12803540	Nozzle, 3.5 40° White	1
	90-10053	Bolt, 5/16"-24 x 3/4" (3-27324, 232439, 3-24324, 232437, 252737, 252739)	4		4-12804000	Nozzle, 4.0 0° Red	1
14	4-011184	Injector, Detergent, Assembly (All Models Except 232336, 3-23326)	1		4-12804015	Nozzle, 4.0 15° Yellow	1
	3-12021	Injector, Chemical, Non-Adjust	1		4-12804025	Nozzle, 4.0 25° Green	1
	2-1904	Strainer, Plastic, 1/4" Hose Barb1			4-12804040	Nozzle, 4.0 40° White	1
	4-02080000	Tube, 1/4" x 1/2" Clear Vinyl	6 ft.		4-16540	Nozzle, Compl, QCEM-6540, Brass (All Models)	1
				21	95-07102313	Axle, 5/8" x 20.125" Long	1
				22	10-02025A	Label, HOT	1
				23	90-1009	Bolt, 5/16" x 1-1/2", NC HH (5 HP, 5.5 HP, 6.5 HP)	4
					90-1019	Bolt, 3/8" x 1-3/4" Tap (9 HP, 11 HP, 13 HP)	4
				24	90-4002	Washer, 3/8" SAE, Flat	6
				25	90-2002	Nut, 3/8" ESNA, NC	6
				26	90-1020	Bolt, 3/8" x 2" NC, HH	4
				27	95-07104924	Retainer Bracket, Handle, Black (PC Models)	2
					95-07104923	Retainer Bracket, Handle, Red (DB, DG Models)	2
				28	90-2000	Nut, 1/4" ESNA, NC	6
				29	90-4000	Washer, 1/4" Flat	6
				30	2-0103	Grommet, Rubber, Nozzle Holder,	5
				31	90-20012	Nut, 5/16" Flange, Whiz Loc	2
				32	95-07104961	Handle, Grab, Chrome (PC Models)	1
					95-07104921	Handle, Grab, Red (DB, DG Models)	1
				33	95-07104966	Plate, Warning, Black (PC Models)	1
					95-07104945	Plate, Warning, Red (DB, DG Models)	1

## EXPLODED VIEW PARTS LIST CONT.

ITEM	PART NO.	DESCRIPTION	QTY	ITEM	PART NO.	DESCRIPTION	QTY
34	95-07102382	Hanger, Hose/Wand	1	49	95-07141120	Key, .185 Sqr x 1.75" (5 HP, 5.5 HP, 6.5 HP)	1
35	90-100473	Bolt, 1/4"-20 x 1-3/4", Carriage, Zinc	6		95-07141121	Key, .247 Sqr x 2.125" (9 HP, 11 HP, 13 HP)	1
36	95-07104950	Handle, Lower Grab, Chrome (PC Models)	1	50	4-02080000	Tube, 1/4" x 1/2" Clear Vinyl	6 ft.
	95-07104920	Handle, Lower Grab, Red (DB, DG Models)	1	51	9.800-049.0	Label, Manufacturer's Cleaning Solution	1
37	2-01041	Pad, Soft Rubber	2	52	90-2001	Nut, 5/16" ESNA, NC (5 HP, 5.5 HP, 6.5 HP)	4
38	90-40125	Washer, 3/8" x 1" Steel	2		90-2002	Nut, 3/8" ESNA, NC (9 HP, 11HP, 13 HP)	4
39	90-10201	Bolt, 3/8" x 2-1/4" HH, Grd. 5	2	53	90-4001	Washer, 5/16" Flat (5 HP, 5.5 HP, 6.5 HP)	8
40	90-10077	Bolt, Carriage, 5/16" x 1-3/4"	4		90-4002	Washer, 3/8" Flat (9 HP, 11 HP, 13 HP)	12
41	90-4001	Washer, 5/16" Flat	4	54	2-2003	Coupler, 3/8" Male Brass (DG Models)	1
42	90-2001	Nut, 5/16" ESNA, NC	4	55	2-1037	Tee, 1/4" Branch, Male	1
43	95-07104962	Handle, Bumper, Chrome (PC Models)	1	56	9.802-813.0	Lock Washer	4
	95-07104922	Handle, Bumper, Red (DB, DG Models)	1			▲ Not Shown	
44	2-01403	Bushing, 5/8" Snap	2				
45	4-0303	Wheel & Tire Assy, 4" Steel Rim w/Tube	2				
46	90-20041	Collar, 5/8" Bore Shaft	2				
47	10-02029	Label, Cool Engine Before Filling	1				
48	90-4005	Washer, 5/8" Flat	2				

# VERTICAL EXPLODED VIEW



## VERTICAL EXPLODED VIEW PARTS LIST

ITEM	PART NO.	DESCRIPTION	QTY
1	4-011106	Wand, 18" M22 x 1/4" QC	1
2	4-011137	Spray Gun, SK2, 3/8" Inlet, Lance W/M22 CPLR	1
3	2-2115	Nipple, 3/8" MPT x M22, Twist Coupler	1
4	4-02010025M	Hose, 1/4" x 25', Thermo Plastic, 22mm Ends	1
5	5-0323	Engine, Briggs, 6HP Quantum Vertical	1
6	11-0335	Label, Warning/Instructions	1
7	90-20012	Nut, Whiz Loc 5/16" Flange	5
8	95-07102380	Handle Assy, C-Series	1
9	11-0366	Label, Handle (DB Model)	1
	11-0365	Label, Handle (DG Model)	1
	11-0368	Label, Handle (PC Model)	1
10	90-100471	Bolt, Carriage, Zinc 1/4" - 20 x 1-1/2"	2
11	90-500471	Knob, Plastic, 3-Prong 1-1/8" Dia, 1/4"-20 Blind Insert	2
12	95-07102382	Assy, Holder, Wand/Hose C-Series	1
13	90-200423	Cap, 1/2" Axle Hub, Red	2
14	4-03050	Wheel, 10" x 1.72-5", Pneumatic White Plastic	2

ITEM	PART NO.	DESCRIPTION	QTY
15	90-4001	Washer, 5/16" Flat	5
16	90-2001	Nut, 5/16" ESNA	2
17	2-0103	Grommet, Rubber	3
18	5-1100	Pump, Faip MTPV2300-2 2.1 @ 2300, 7/8" Hollow Shaft	1
19	95-07102383	Base Assy, Consumer Model Vertical Shaft	1
20	2-300812	Pump Protector, 1/4" 145°	1
21	95-07141119	▲ Key, 0.185 Sqr x 1.00"	1
22	2-010151	Bumper, Rubber, 1" w/Bolt	2
23	90-10127	Bolt, Whiz Lock, 5/16" x 2-3/4"	1
24	90-1010	Bolt, 5/16" x 1-3/4"	2
25	10-9999	Clear Lexan	1
26	10-08017	Intended For Outdoor Use, Label	1
27	4-12802715	Nozzle, 2.7, 15° Yellow	1
28	4-16540	Nozzle, QCEM 6540 Brass	1
29	9.800-049.0	Label, Manufacturer's Cleaning Solution	1

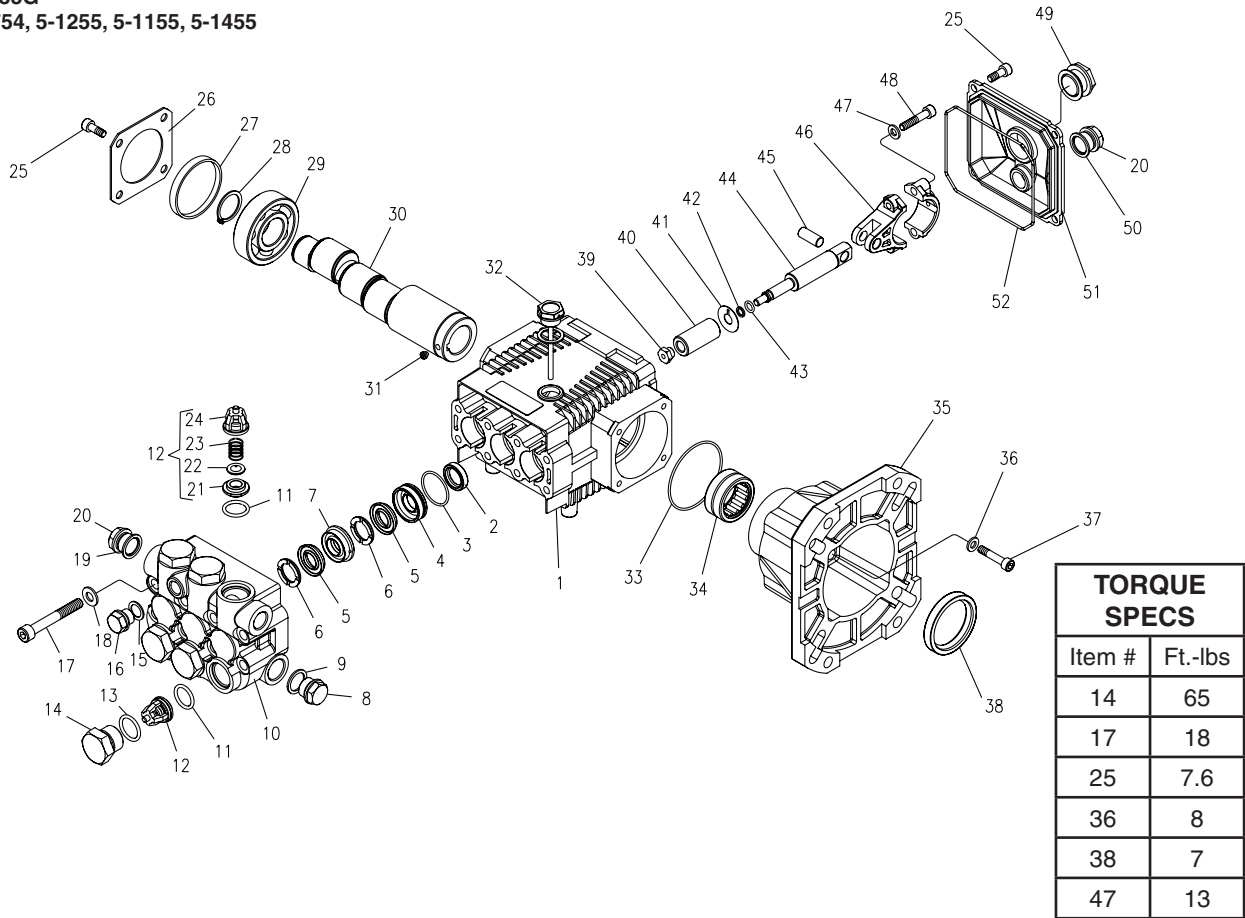
▲ Not Shown

# SPECIFICATIONS

Machine Model	GPM	Pressure (PSI)	Nozzle Size	Hose p/n	Pump Part #	Pump Model	Unloader Part #	Engine Hp	Engine Part #
DB-232336	2.3	2300	3.0	8.739-106.0	9.120-032.0	2427G	n/a	GC160 (5)	5-0101
DB-232439	2.3	2400	3.0	8.739-107.0	5-1250	HG2530G	5-3329	GX160(5.5)	5-0104
DB-252739	2.5	2700	3.0	8.739-107.0	5-1250	HG2530G	5-3329	GX200 (6.5)	5-01041
DB-303039	3.0	3000	3.5	8.739-107.0	5-1255	HG3035G1	5-3329	GX270 (9)	5-0102
DB-383539	3.8	3500	4.0	8.739-183.0	5-1262	HS4040G-1	5-3330	GX390 (13)	5-010721
DB-212328	2.1	2000	2.7	4-02010025M	5-1100	MTPV-2300-2	n/a	Briggs (6)	5-0323
PC2-23228	2.1	2000	2.7	4-02010025M	5-1100	MTPV-2300-2	n/a	Briggs (6)	5-0323
PC3-23326	2.3	2300	3.0	8.739-133.0	9.120-032.0	2427G	n/a	GC160 (5)	5-0101
PC3-24324	2.3	2400	3.0	8.739-134.0	5-1750	LG2530G	5-3329	GX160 (5.5)	5-0104
PC3-27324	2.5	2700	3.0	8.739-134.0	5-1750	LG2530G	5-3329	GX200 (6.5)	5-01041
PC3-30124	3.0	3000	3.5	8.739-134.0	5-1754	LG3035G1	5-3329	GX270 (9)	5-0009
PC4-35324	3.8	3500	4.0	8.739-213.0	5-1762	LS4040G-1	5-3330	GX390 (13)	5-010721
DG-232336	2.3	2300	3.0	8.739-148.0	9.120-032.0	2427G	n/a	GC160 (5)	5-0101
DG-232437	2.3	2400	3.0	8.739-148.0	5-1451	SG2530G	5-3329	GX160 (5.5)	5-0104
DG-252737	2.5	2700	3.0	8.739-148.0	5-1451	SG2530G	5-3329	GX200 (6.5)	5-01041
DG-303037	3.0	3000	3.5	8.739-148.0	5-1455	SG3035G1	5-3329	GX270 (9)	5-0102
DG-353237	3.5	3200	4.0	8.739-229.0	5-1461	SS3540G-1	5-3330	GX390 (13)	5-010721
DG-383537	3.8	3500	4.0	8.739-229.0	5-1462	SS4040G-1	5-3330	GX390 (13)	5-010721
DG-212328	2.1	2000	2.7	4-02010025M	5-1100	MTPV 2300-2	n/a	Briggs (6)	5-0323

## G1 PUMP w/1" HOLLOW SHAFT EXPLODED VIEW

**G3035G**  
5-1754, 5-1255, 5-1155, 5-1455



## G1 PUMP EXPLODED VIEW AND PARTS LIST

ITEM	PART NO.	DESCRIPTION	QTY	ITEM	PART NO.	DESCRIPTION	QTY
1	70-020292	Crankcase	1	17	70-180118	Manifold Stud Bolt	8
2*	See Kit Below	Plunger Oil Seal	3	18	70-140001	Washer	8
3*	70-060107	O-Ring Ø1.78 x 31.47	3	19	70-060306	Copper Washer 3/8"	1
4*	70-120120	Pressure Ring, 15mm	3	20	70-160117	Brass Plug 3/8"	2
5*	See Kit Below	"V" Seal, 15mm	6	25	70-180112	Hexagonal Screw	9
6*	70-030027	Support Ring 15mm	6	26	70-020318	Bearing Cover	1
7	70-030049	Intermediate Ring 15mm	3	27	70-020502	Seal Bearing	1
8	70-160120	Brass Plug, 1/2"	1	28	70-150003	Snap Ring	1
9	70-060307	Copper Washer 1/2"	1	29	70-021300	Ball Bearing	1
10	70-160228	Manifold Housing	1	30	70-000495	Crankshaft (3035G1)	1
11*	70-060155	O-Ring Ø1.78 x 15.54	6		70-000496	Crankshaft (3535G1)	1
12*	See Kit Below	Valve Assembly	6		70-000497	Crankshaft (4030G1)	1
13*	70-060122	O-Ring Ø2.62 x 18.77	6	31	70-180302	Set Screw	1
14	70-160147	Valve Plug	6	32	70-160012	Oil Dip Stick	1
15	70-060308	Washer, Copper	1	33	70-060183	O-Ring 3.53 x 55.56	1
16	70-160121	Brass Plug G1/4	1	34	70-020010	Needle Roller Bearing	1

## G1 PUMP EXPLODED VIEW AND PARTS LIST (CONT)

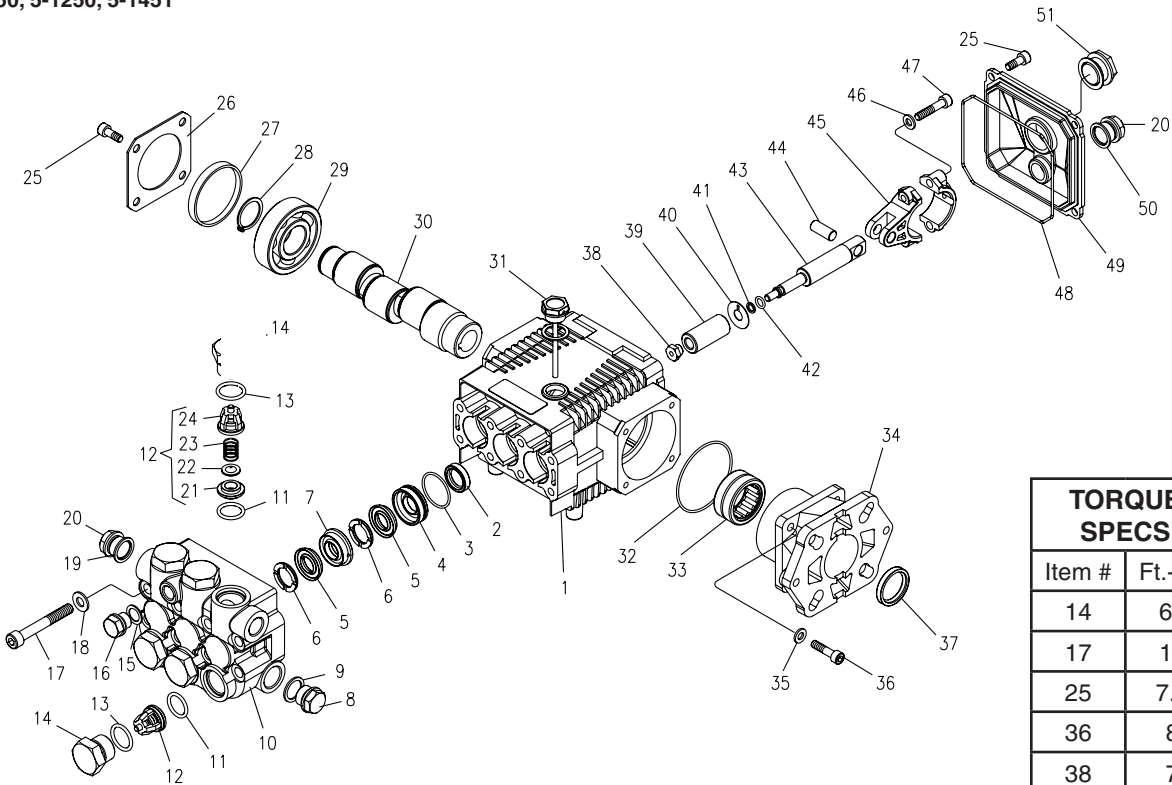
ITEM	PART NO.	DESCRIPTION	QTY
35	70-050055	Engine Flange	1
36	70-140002	Spring Washer	4
37	70-180132	Flange Screw	4
38	70-000109	Crankshaft Seal	1
39*	70-030211	Plunger Nut	3
40*	See Kit Below	Plunger, 15mm	3
41*	70-140027	Copper Spacer	3
42*	70-060130	O-Ring Ø1.78x5.28	3
43*	70-000913	Teflon Ring	3
44	70-000320	Plunger Rod	3
45	70-150204	Connecting Rod Pin	3
46	70-010008	Connecting Rod	3
47	70-140102	Spring Washer	6
48	70-180132	Connecting Rod Screw	6
49	70-070005	Sight Glass, G3/8	1
50	70-060302	Gasket, G3/8	1
51	70-020352	Crankcase Cover	1
52	70-060104	O-Ring 2.62 x 107.62	1

\* Part available in kit (See below)

REPAIR KIT NUMBER	70-261408	70-261409	70-261404	70-260028	70-260826
KIT DESCRIPTION	Plunger Seal 15mm	Complete Seal Packing 15mm	Plunger 15mm	Complete Valve	Plunger Oil Seals
ITEM NUMBERS INCLUDED	3, 5, 6	2, 3, 4, 5, 6, 7	39, 40, 41, 42, 43	11, 12, 13	2
NUMBER OF CYLINDERS KIT WILL SERVICE	3	1	1	6	3

# G PUMP w/3/4" HOLLOW SHAFT EXPLODED VIEW

G2530G  
5-1750, 5-1250, 5-1451



TORQUE SPECS	
Item #	Ft.-lbs
14	65
17	18
25	7.6
36	8
38	7
47	13

## G PUMP EXPLODED VIEW PARTS LIST

ITEM	PART NO.	DESCRIPTION	QTY	ITEM	PART NO.	DESCRIPTION	QTY
1	70-020292	Crankcase	1	18	70-140001	Washer	8
2*	See Kit Below	Plunger Oil Seal	3	19	70-060306	Copper Washer 3/8"	1
3*	70-060181	O-Ring Ø1.78 x 28.30	3	20	70-160117	Brass Plug 3/8"	2
4*	70-120120	Pressure Ring, 15mm	3	25	70-180112	Hexagonal Screw	9
5*	See Kit Below	"V" Seal, 15mm	6	26	70-020318	Bearing Cover	1
6*	70-030048	Support Ring 15mm	6	27	70-020502	Seal Bearing	1
7*	70-030049	Intermediate Ring 15mm	3	28	70-150003	Snap Ring	1
8	70-160120	Brass Plug, 1/2"	1	29	70-021300	Ball Bearing	1
9	70-060307	Copper Washer 1/2"	1	30	70-000498	Crankshaft (2530G)	1
10	70-160228	Manifold Housing	1		70-000499	Crankshaft (3030G)	1
11*	70-060155	O-Ring Ø1.78 x 15.54	6	31	70-160012	Oil Dip Stick	1
12*	See Kit Below	Valve Assembly	6	32	70-060183	O-Ring 3.53 x 55.56	1
13*	70-060122	O-Ring Ø2.62 x 18.77	6	33	70-020011	Needle Roller Bearing	1
14	70-160147	Valve Plug	6	34	70-050096	Engine Flange	1
15	70-060308	Washer, Copper	1	35	70-140002	Spring Washer	4
16	70-160121	Brass Plug G1/4	1	36	70-180126	Flange Screw	4
17	70-180118	Manifold Stud Bolt	8				

## G PUMP EXPLODED VIEW PARTS LIST (CONT)

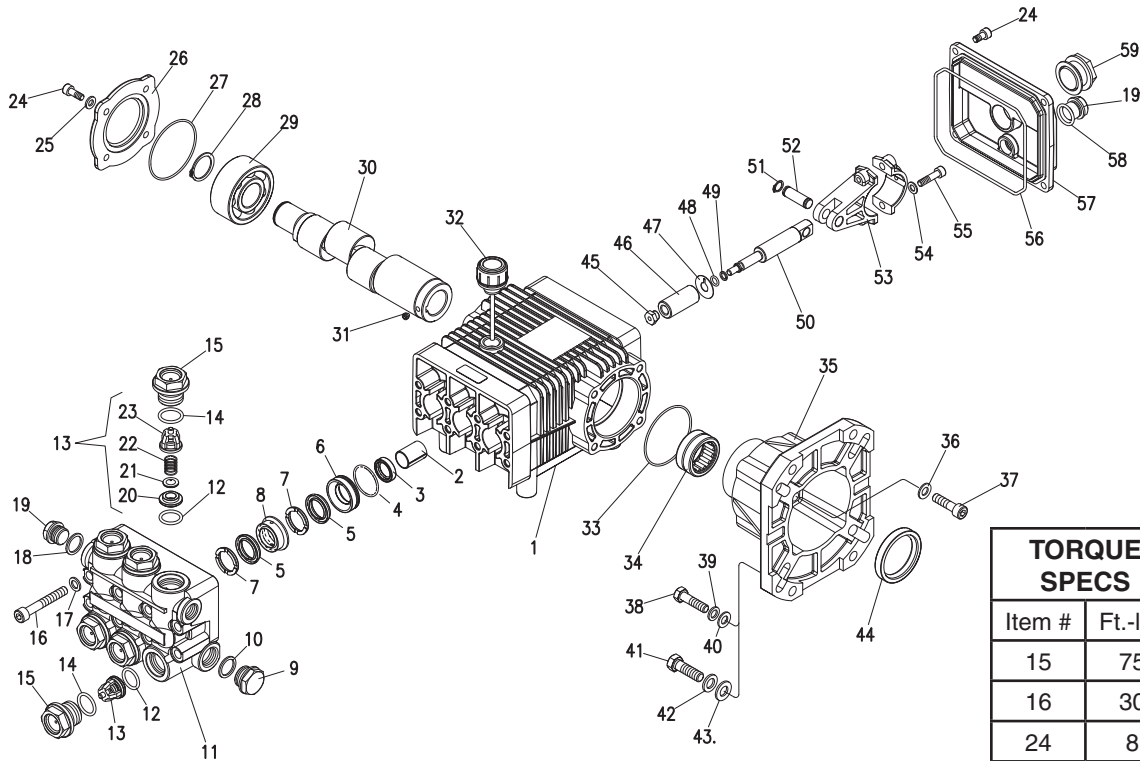
ITEM	PART NO.	DESCRIPTION	QTY
37	70-000105	Crankshaft Seal	1
38*	70-030211	Plunger Nut	3
39*	See Kit Below	Plunger, 15mm	3
40*	70-140027	Copper Spacer	3
41*	70-060130	O-Ring Ø1.78x5.28	3
42*	70-000913	Teflon Ring	3
43	70-000320	Plunger Rod	3
44	70-150204	Connecting Rod Pin	3
45	70-010008	Connecting Rod	3
46	70-140102	Spring Washer	6
47	70-180132	Connecting Rod Screw	6
48	70-060104	O-Ring 2.62 x 107.62	1
49	70-020352	Crankcase Cover	1
50	70-060302	Gasket, G3/8	1
51	70-070005	Sightglass G3/8	1

\* Part available in kit (See below)

REPAIR KIT NUMBER	70-261408	70-261409	70-261404	70-260028	70-260826
KIT DESCRIPTION	Plunger Seal 15mm	Complete Seal Packing 15mm	Plunger 15mm	Complete Valve	Plunger Oil Seals
ITEM NUMBERS INCLUDED	3, 5, 6	2, 3, 4, 5, 6, 7	38, 39, 40, 41, 42	11, 12, 13	2
NUMBER OF CYLINDERS KIT WILL SERVICE	3	1	1	6	3

# S-1 PUMP EXPLODED VIEW

5-1262, 5-1461, 5-1462, 5-1762



TORQUE SPECS	
Item #	Ft.-lbs
15	75
16	30
24	8
36	10
44	4.5
54	13

## S-1 PUMP EXPLODED VIEW PARTS LIST

ITEM	PART NO.	DESCRIPTION	QTY	ITEM	PART NO.	DESCRIPTION	QTY
1	70-020232	Crankcase	1	24	70-180112	Hexagonal Screw	9
2	70-060201	Plunger Guide	3	25	70-140002	Washer	4
3*	See Kit Below	Plunger Oil Seal	3	26	70-050056	Closed Bearing Housing	1
4*	70-060107	O-Ring Ø1.78 x 31.47	3	27	70-060109	O-Ring Ø 1.78 x 60.05	2
5*	See Kit Below	"V" Seal , 15mm	6	28	70-150003	Snap Ring	1
6*	70-120120	Pressure Ring, 15mm	3	29	70-021310	Double Row Ball Bearing	1
7*	70-030027	Support Ring 15mm	6	30	70-000491	Crankshaft (HS3040G-1)	1
8*	70-030020	Intermed. Ring 15mm	3		70-000492	Crankshaft (HS3540G-1)	1
9	70-160120	Brass Plug, 1/2"	1		70-000493	Crankshaft (HS4040G-1)	1
10	70-060307	Copper Washer 1/2"	1		70-000494	Crankshaft (HS5030G-1)	
11	70-160216	Manifold Housing	1	31	70-180302	Set Screw	1
12*	70-060119	O-Ring Ø2.62 x 17.13	6	32	70-160006	Oil Dip Stick	1
13*	See Kit Below	Valve Assembly	6	33	70-060183	O-Ring Ø 3.53 x 55.56	1
14*	70-060165	O-Ring Ø2.62 x 20.29	6	34	70-020010	Needle Roller Bearing	1
15	70-160130	Valve Plug	6	35	70-050055	Engine Flange	1
16	70-180103	Manifold Stud Bolt	8	36	70-140304	Spring Washer	4
17	70-140001	Washer	8	37	70-180128	Flange Screw	4
18	70-060306	Copper Washer 3/8"	1	38	70-180220	Engine Screw, 5/16"	4
19	70-160117	Brass Plug 3/8"	2	39	70-140051	Washer	4

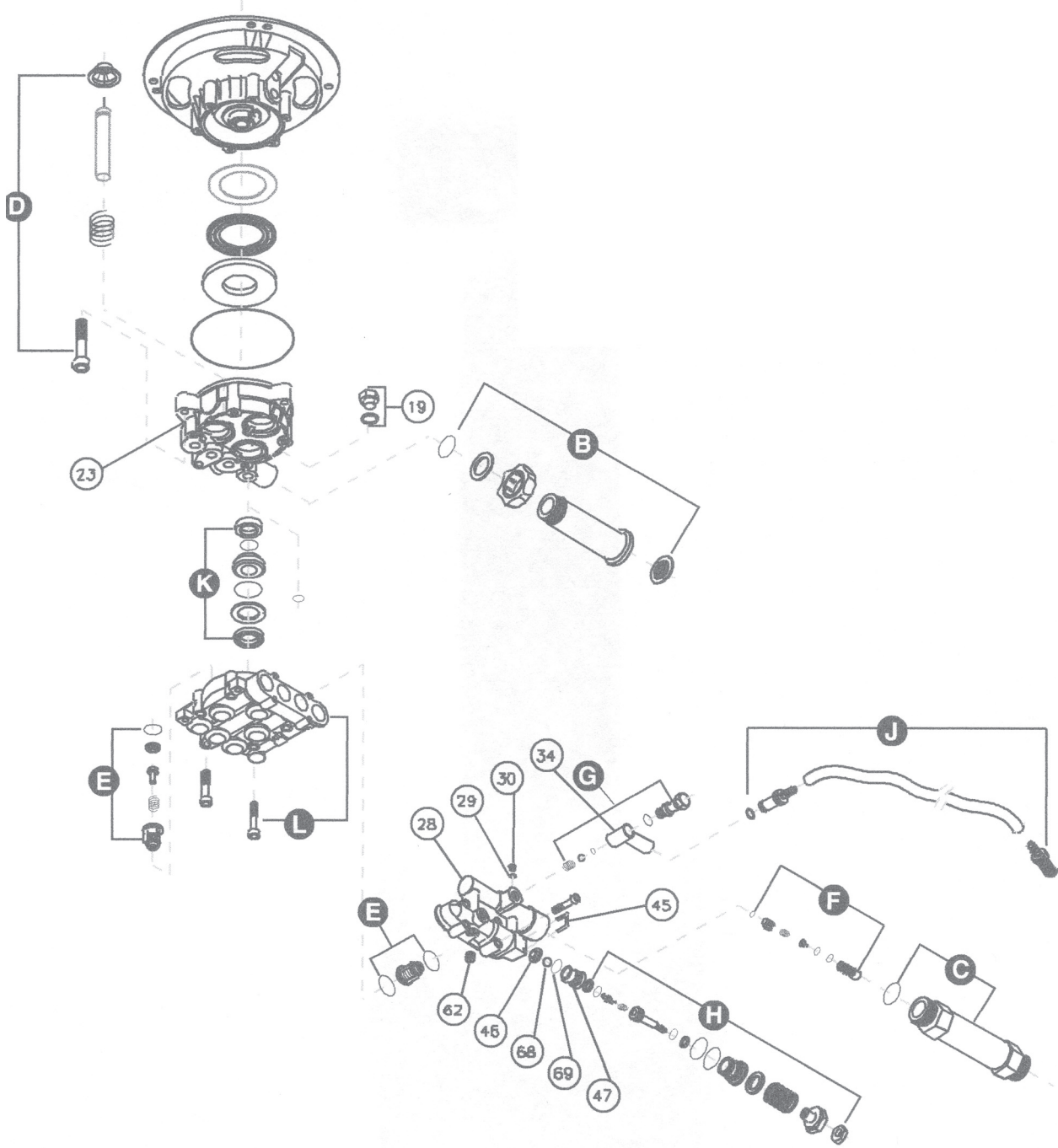
## PUMP EXPLODED VIEW PARTS LIST (CONT)

ITEM	PART NO.	DESCRIPTION	QTY
40	70-140103	Spring Washer	4
41	70-180221	Engine Screw 3/8"	4
42	70-140052	Washer	4
43	70-140053	Spring Washer	4
44	70-000109	Crankshaft Seal	1
45*	70-030211	Plunger Nut	3
46*	See Kit Below	Plunger, 15mm	3
47*	70-140027	Copper Spacer	3
48*	70-060130	O-Ring Ø1.78x5.28	3
49*	70-000913	Teflon Ring	3
50	70-000302	Plunger Rod	3
51	70-150001	Snap Ring	6
52	70-150201	Connecting Rod Pin	3
53	70-010001	Connecting Rod	3
54	70-140102	Spring Washer	6
55	70-180105	Connecting Rod Screw	6
56	70-060188	Cover Gasket	1
57	70-020353	Crankcase Cover	1
58	70-060110	O-Ring, Ø 1.78 x 14	1
59	70-070005	Sight Glass, G3/4	1

\* Part available in kit (See below)

REPAIR KIT NUMBER	70-260824	70-260825	70-260823	70-260007	70-260027
KIT DESCRIPTION	Plunger Seal 15mm	Complete Seal Packing 15mm	Plunger 15mm	Complete Valve	Plunger Oil Seals
ITEM NUMBERS INCLUDED	4, 5, 7	4, 5, 6, 7, 8	45, 46, 47, 48, 49	12, 13, 14	3
NUMBER OF CYLINDERS KIT WILL SERVICE	3	1	1	6	3

# FAIP 5-1100 PUMP EXPLODED VIEW

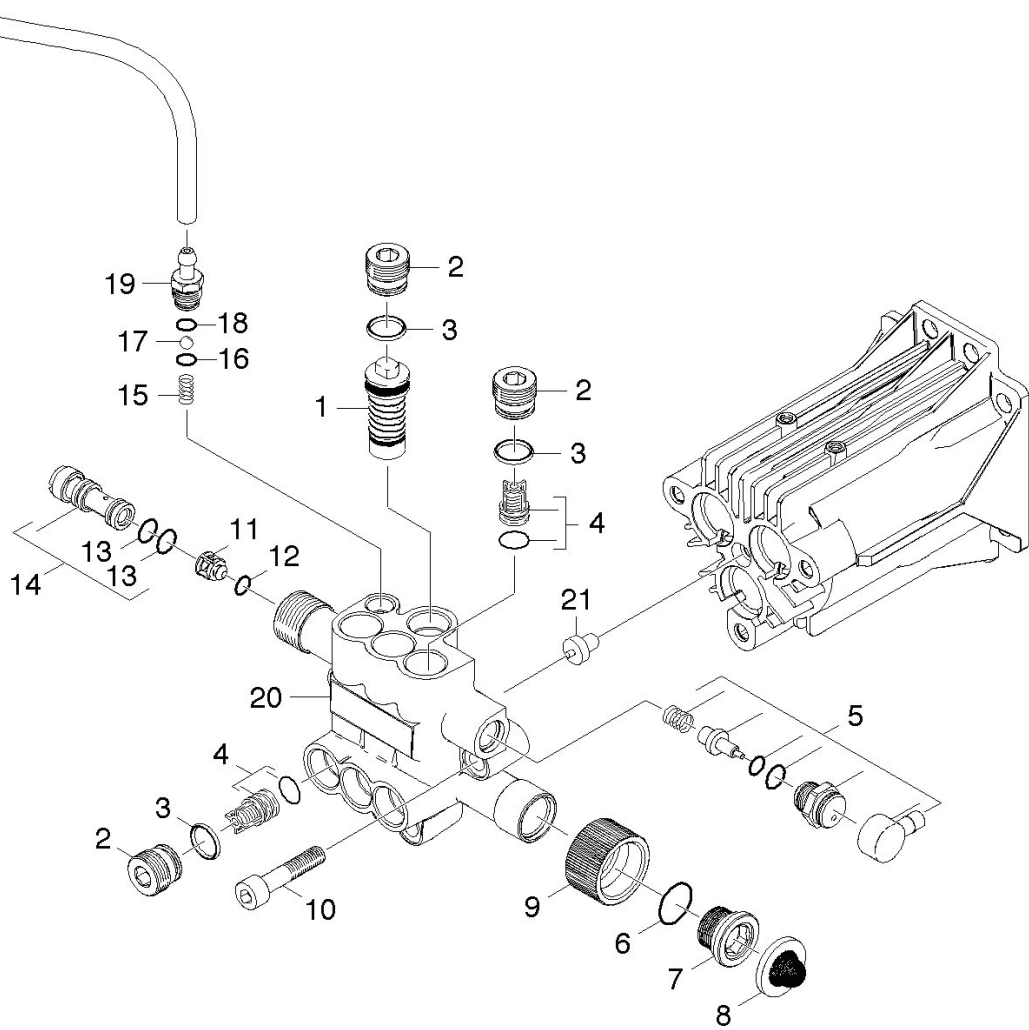


# FAIP 5-1100 PUMP EXPLODED VIEW PARTS LIST

ITEM	PART #	DESCRIPTION	KIT	QTY	ITEM	PART #	DESCRIPTION	KIT	QTY
19	18-190571	Cap, Oil		1	31		Spring	G	1
28	18-190627	Manifold		1	32	<b>18-190593</b>	Ball	G	1
29	18-190575	O-Ring		1	33	<b>Chemical</b>	O-Ring	G	1
30	18-190576	Screw		1	34	<b>Injection</b>	Connection, Chemical Inlet	G	1
34	18-190577	Connection, Chemical Inlet		1	35	<b>Kit</b>	O-Ring	G	1
45	18-190578	Pin		1	36		Screw, Fitting	G	1
46	18-190579	Valve, Seal Plate, Brass		1	48		Back Ring	H	1
47	18-190580	Valve, Seat Stainless		1	49		O-Ring	H	1
62	18-190581	Cap		1	50		Valve, By-pass, Brass	H	1
68	18-190582	Ball, 7mm Stainless Steel		1	51		Piston	H	1
69	18-190584	O-Ring		1	52		Spring, Easy Start	H	1
76	18-21783	Thermo Relief		1	53	<b>18-190594</b>	Piston, Body	H	1
4		O-Ring	B	1	54	<b>Unloader</b>	Ring, Back	H	1
8	<b>18-190632</b>	Washer	B	1	55	<b>Stem Kit</b>	Spacer	H	1
20	<b>Water Inlet</b>	Garden Hose w/Finger Grip	B	1	56		Spring, Regulation Press	H	1
21	<b>Kit</b>	Extension, Inlet	B	1	57		Nut, Regulation Press	H	1
22		Washer w/Filter	B	1	58		Nut	H	1
5	<b>18-190634</b>	Outlet, Extension	C	1	59		O-Ring	H	1
6	<b>Outlet Kit</b>	O-Ring	C	1	60		O-Ring	H	1
16		O-Ring	D	1	61		O-Ring	H	1
70		Screw	D	3	78		O-Ring	J	1
71	<b>18-190710</b>	Spring	D	3	79	<b>18-189971</b>	Tube, Inlet Support	J	1
72	<b>Piston Kit</b>	Piston, 14 Stainless Steel	D	3	80	<b>Chem Hose</b>	Tube	J	1
73		Spring Plate	D	2	81	<b>Kit</b>	Filter	J	1
74		Screw	D	5	18		O-Ring	K	3
77		Oil Bottle	D	1	61		O-Ring	K	1
24		O-Ring	E	3	63	<b>18-190595</b>	Seal	K	3
25	<b>18-190591</b>	O-Ring	E	3	64	<b>Seal Set</b>	Pilot Spacer, Brass	K	3
26	<b>Check</b>	Assy, Valve Group	E	6	65	<b>Kit</b>	O-Ring	K	3
27	<b>Valves Kit</b>	O-Ring	E	4	66		Washer	K	3
44		Screw	E	4	67		Seal, H.P	K	3
74		Screw	E	5	74		Screw	K	5
37		Valve, Non Return	F	1	44	<b>18-190596</b>	Screw	L	4
38		Spring	F	1	74	<b>Brass Head</b>	Screw	L	5
39	<b>18-090592</b>	Injection Nozzle	F	1	75	<b>Kit</b>	Head, Pump	L	1
40	<b>Inlet</b>	O-Ring	F	1	<b>Kit B</b>	18-190632	Water Inlet Kit (Alum)		
41	<b>Check Kit</b>	O-Ring	F	1	<b>Kit C</b>	18-190634	Outlet Kit (Alum)		
42		Injection Nipple	F	1	<b>Kit D</b>	18-190710	Piston Kit		
43		O-Ring	F	1	<b>Kit E</b>	18-190591	Check Valves Kit		
					<b>Kit F</b>	18-190592	Inlet Check Kit		
					<b>Kit G</b>	18-190593	Chemical Injection Kit		
					<b>Kit H</b>	18-190594	Unloader Stem Kit		
					<b>Kit J</b>	18-189971	Chemical Hose Kit		
					<b>Kit K</b>	18-190595	Seal Set Kit		
					<b>Kit L</b>	18-190596	Brass Head Kit		

## PUMP EXPLODED VIEW AND PARTS LIST

9.120-032.0

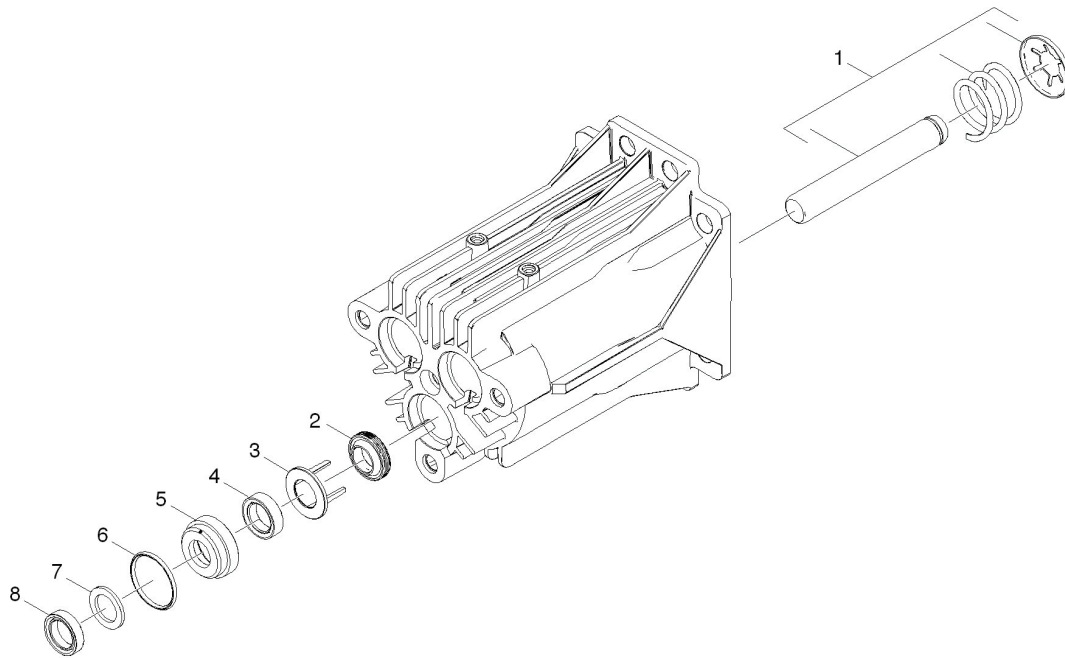


ITEM	PART #	DESCRIPTION	QTY
1	9.175-007.0	Unloader Assembly	1
2	9-154-036.0	M18 Pipe Plug	7
3	6.362-480.0	O-Ring Seal, 12.42 x 1.78	9
4	4-580-371.0	Valve Assembly	6
5	9.139-194.0	Spare Parts List, Set 2	1
6	6-362-634.0	O-Ring Seal, 15.6 x 1.78 NBR 70	1
7	9.134-019.0	Adapter, Male	1
8	9.181-005.0	Filter Seal-Hose Connector	1
9	9.155-013.0	Hose Connector, Female	1
10	7.306-075.0	Cylinder Head Screw M 8x 40-8.8-A2E ISO	3
11	5.584-091.0	Valve Pin Check Valve	1

ITEM	PART #	DESCRIPTION	QTY
12	6.362-851.0	O-Ring, d. 4 x 2 NBR 90	1
13	6.362-384.0	O-Ring Seal, 9.0 x 1.5	1
14	4.769-034.0	Nozzle Insert Only for Replacement	1
15	5.332-258.0	Helical Spring	1
16	6.362-175.0	O-Ring Seal, 5.28 x 1.78	1
17	7.401-909.0	Sphere 7 G40-1.4401 Din 5401	1
18	6.362-451.0	O-Ring Seal 8.0 x 1.0	1
19	5.443-448.0	Nipple Chemistry	1
20	9.135-004.0	Cylinder Head Machined	1
21	9.177-305.0	Molded Rubber End Cap	1

# PUMP EXPLODED VIEW PARTS LIST

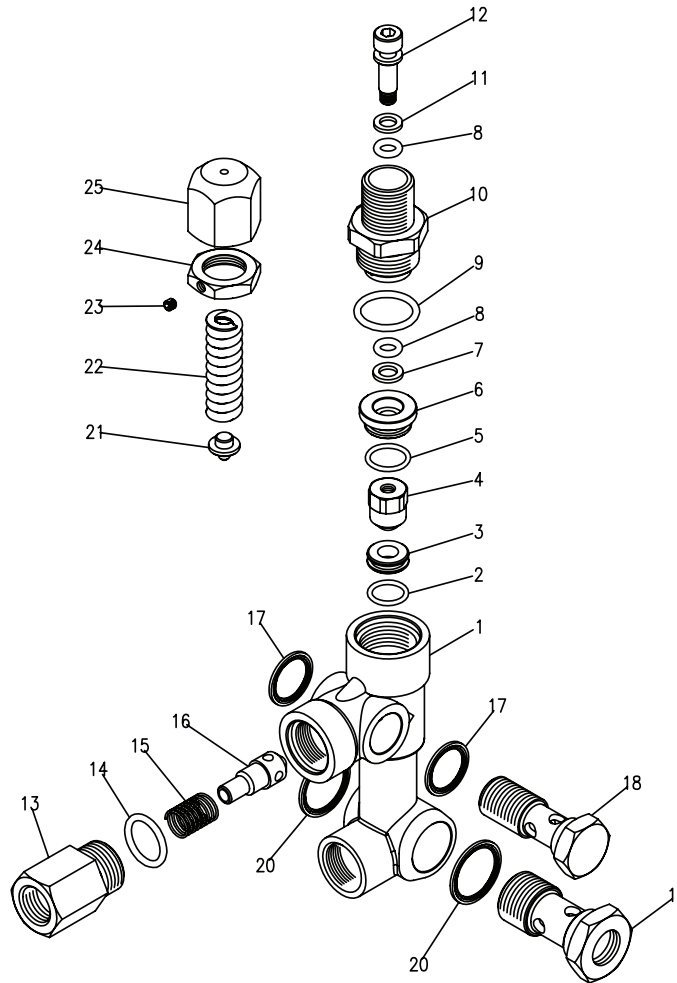
## 9.120-032.0 Piston View



ITEM	PART #	DESCRIPTION	QTY
1	9.139-193.0	Spare Parts List Set 1	3
2	6.365-393.0	Grooved Ring 12 x 20 x 4/6	3
3	9.134-016.0	Spacer, Oil Seal and Seal Housing	3
4	6.363-058.0	Grooved Ring	3
5	9.155-011.0	Housing, Low Pressure Seal	3
6	6.362-833.0	O-Ring Seal, 21.5 x 1.78	3
7	9.177-310.0	Back Ring High Pres Seal	3
8	9.177-301.0	High Pressure Seal	3

## VBA 35 UNLOADER EXPLODED VIEW

#5-3329,  
#5-3330



### VBA35 UNLOADER EXPLODED VIEW PARTS LIST

ITEM	PART #	DESCRIPTION	KIT	QTY	ITEM	PART #	DESCRIPTION	KIT	QTY
1	70-020444	Body Valve		1	16	70-110207	Poppet	B	1
	70-020452	Body Valve		1	17	70-140802	Seal Washer 3/8		2
2	70-060141	O-Ring	A, C	1	18	70-180004	Hollow Bolt, 3/8		1
3	70-150316	Seat	C	1	19	70-180008	Hollow Bolt 1/2 w/1/4 Pilot		1
4	70-450401	Ball, Sub-assy	C	1	20	70-140803	Seal Washer 1/2		2
5	70-060114	O-Ring	A	1	21	70-120212	Plate	C	1
6	70-010111	Guide Bushing		1	22	70-090037	Spring	C	1
7	70-000919	Teflon Ring	A	1	23	70-180304	Set Screw		1
8	70-060170	O-Ring	A	2	24	70-030209	Nut		1
9	70-060162	O-Ring	A	1	25	70-090520	Brass Handle		1
10	70-140734	Connector		1					
11	70-000918	Teflon Ring	A	1	<b>Kit A</b>	70-262813	O-Ring Repair Kit		
12	70-120611	Stem	C	1	<b>Kit B</b>	70-262814	Outlet Kit		
13	70-140702	Connector, Female		1	<b>Kit C</b>	70-262815	Stem Repair Kit		
14	70-060119	O-Ring	A, B	1					
15	70-090004	Spring	B	1					