

PARTS MANUAL



StreetPro SERIES
MODEL SP6457
PROFESSIONAL PAVEMENT SAW
(DEUTZ 57 HP DIESEL ENGINE)

Revision #3 (11/29/10)

THIS MANUAL MUST ACCOMPANY THE EQUIPMENT AT ALL TIMES.

SP6457 StreetPro Professional Pavement Saw

Proposition 65 Warning	2
Silicosis/Respiratory Warnings	3
Table Of Contents	4
Parts Ordering Procedures	5
Explanation Of Codes In Remarks Column	6
Suggested Spare Parts	7

Component Drawings

Console Mounting Assembly	8-9
Deck/Gauge Panel Assembly	10-11
Nameplate and Decals Assembly	12-13
Access Panel Assembly	14-15
F-N-R Control and Handle Assembly	16-17
Joystick Mounting Assembly	18-19
Fuel Tank Assembly	20-21
Gauges and Controls Assembly	22-23
Engine Assembly	24-25
Air Intake Hose Assembly	26-27
Muffler Kit Assembly	28-29
Engine Mounting Assembly	30-31
Engine Guard Assembly	32-33
Handle and Light Assembly	34-35
Light Connector/Dash Panel Assembly	36-37
Pointer Assembly	38-39
Rear Pointer and Foot Rest Assembly	40-41
Battery Assembly	42-43
Drive Assembly	44-45
Transaxle Mounting/Cam Lever Assy.	46-47
4-Speed Bladeshaft (Gearbox) Assembly	48-51
Shifter Assembly	52-53
Gearbox Mounting Assembly	54-55
Pulley and V-Belt Assembly	56-57
Belt Guard Assembly	58-59
Lift Pump Circuit Assembly	60-61
Water System Assembly	62-63

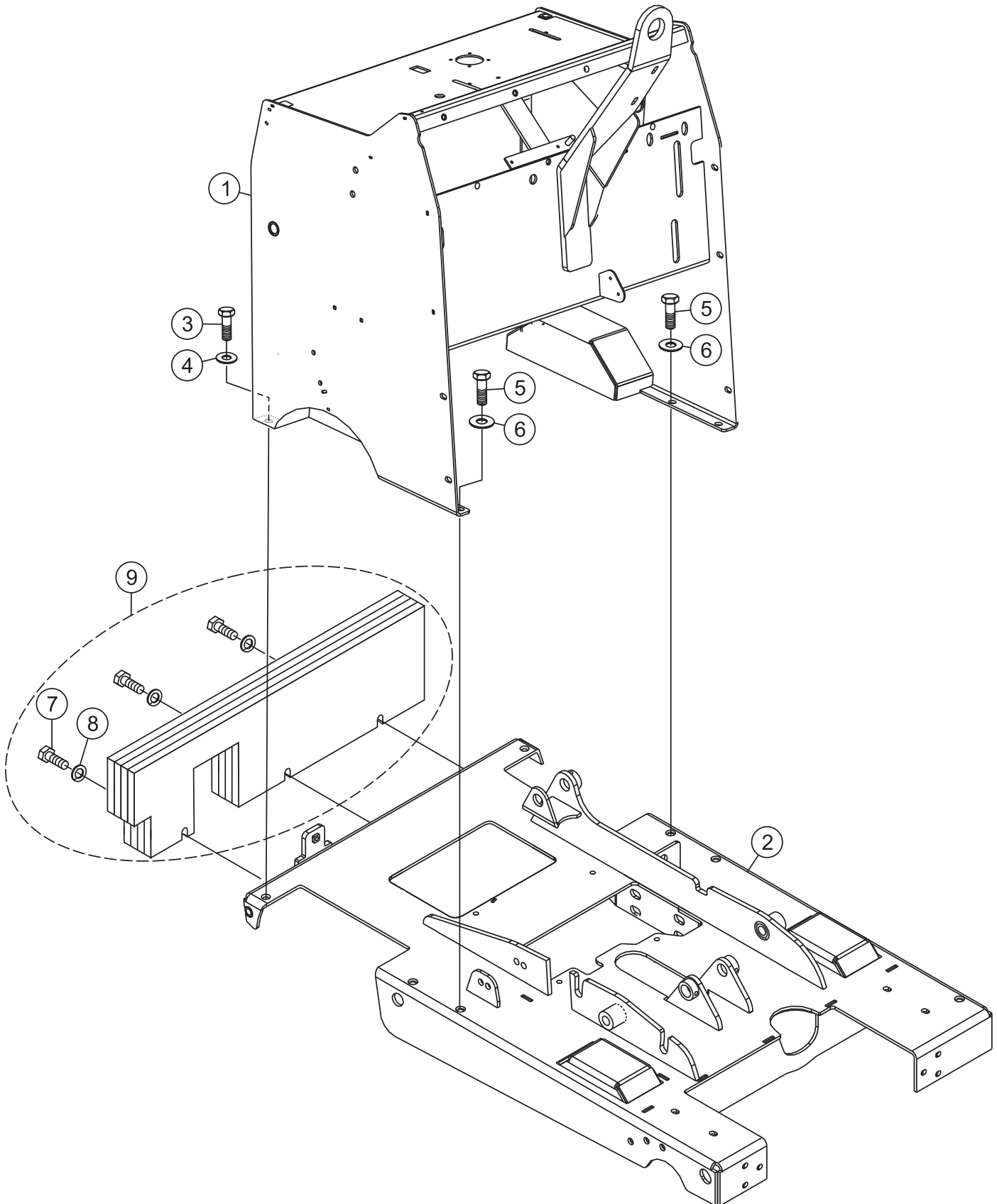
Bladeguard (16-36") Assembly	64-65
Bladeguard (42") Assembly	66-67
Bladeguard (48") Assembly	68-69
Bladeguard Mount/Wiper Assembly	70-71
Depth Stop Meter/Cable Assembly	72-73
Depth Stop Cylinder/Valve Assembly	74-75
Front Axle Assembly	76-77
Cable Mount Assembly	78-79
Wiring Harness/Circuit Breaker Assy.	80-81
Water Pump Kit Assembly	82-83
Gearbox Seal Kit Assembly	84-85
Bushing Extension Kits Assembly	86-87
Collar/Flange Puller Assy. (Option)	88-89
Seal Sleeve Puller Assy. (Option)	90-91
Tools	92-93
Terms and Conditions of Sale	94

SP6457 CONCRETE SAW

1 to 5 Units

Qty.....	P/N	Description
1	345008	Coupler, Splined
1	446010	Valve, Cartridge
1	560028-5	Switch Assembly
1	521004	V-Belt (16", 20" and 26" only)
1	521001	V-Belt (30" and 36" only)
1	521007	V-Belt All Models
2	520007	5G 3VX 530 drive belt
1	300008	Primary Air Filter Element
1	300009	Safety Air Filter Element
1	306006	Transaxle Hydraulic Filter
2	500009	Wheel, Rear Axle
2	582038	Bushing, Rear Wheel
2	180003	Outer Flange
2	180004	Inner Flange
1	582012	Bushing, Flange
1	915316	Screw, HHC 5/8-11 x 3 LH Gr8
1	915315	Screw, HHC 5/8-11 x 3 RH Gr8
1	577009	Gasket, Drain Plug
1	306012	Engine Oil Filter, Deutz
1	304010	Engine Fuel Filter, Deutz
1	362002	Tube, B.G. Water Delivery R.H.
1	362003	Tube, B.G. Water Delivery L.H.
1	25643	Relief Check Valve

CONSOLE MOUNTING ASSY.



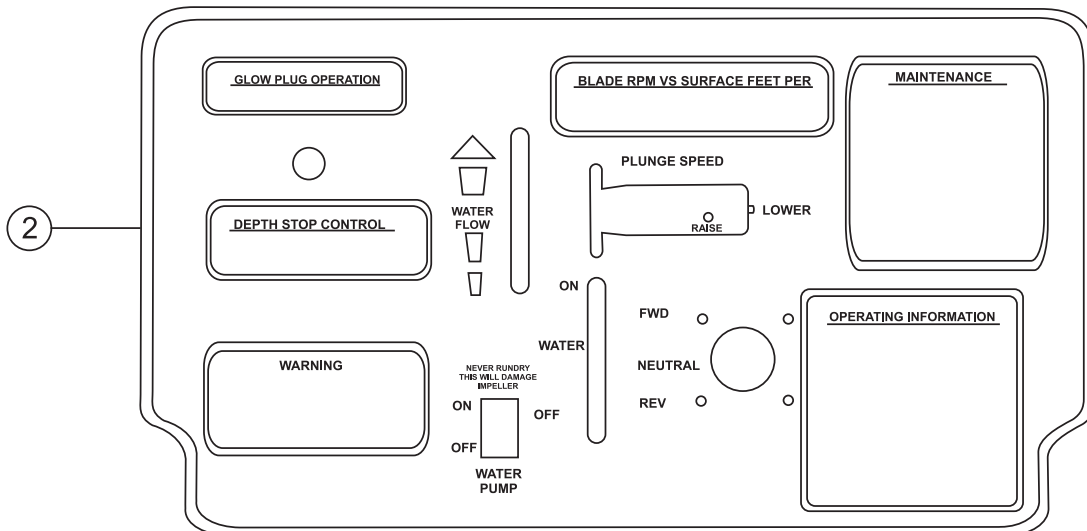
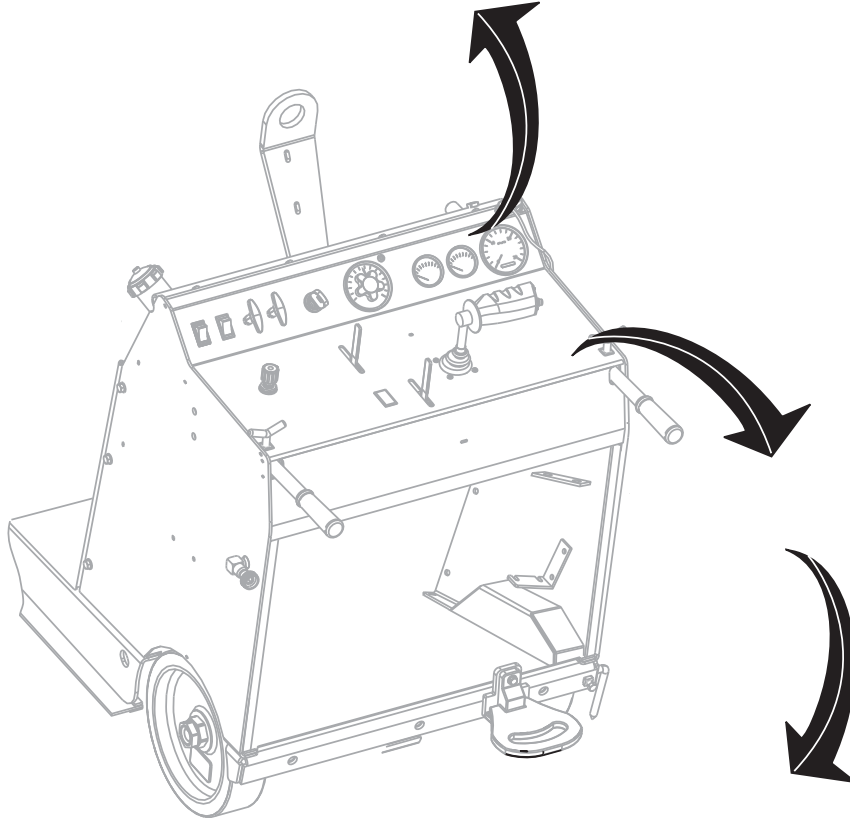
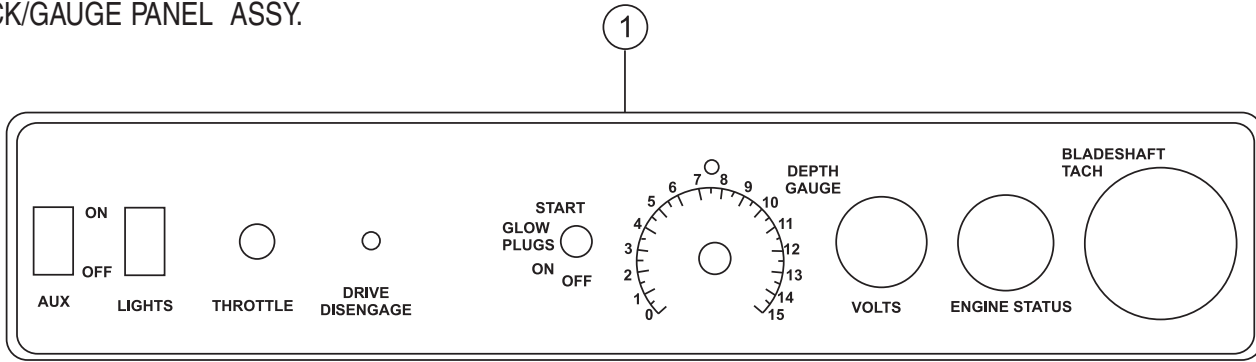
CONSOLE MOUNTING ASSY.

DECK/GAUGE PANEL ASSY.

<u>NO</u>	<u>PART NO</u>	<u>PART NAME</u>	<u>QTY.</u>	<u>REMARKS</u>
1	25744	CONSOLE	1	
2	100048	FRAME PLATFORM	1	
3	16530	SCREW, HHC 7/16-14 X 1	2	
4	933243	WASHER, FLAT SAE 7/16 GRD 9 YZ	2	
5	3214	SCREW, HHC 1/2-13 X 1-1/4	4	
6	933244	WASHER, FLAT SAE 1/2 GRD 9 YZ	4	
7#	EM963105	SCREW, HHC 1/2-13 X 2	3	
7#	2549	SCREW, HHC 1/2-13 X 3	3	
8#	933244	WASHER, FLAT SAE 1/2 GRD 9 YZ	3	
9	M18011	OPTIONAL WEIGHT KIT	1.....	INCLUDES ITEMS W/#

DECK/GAUGE PANEL ASSY.

DECK/GAUGE PANEL ASSY.



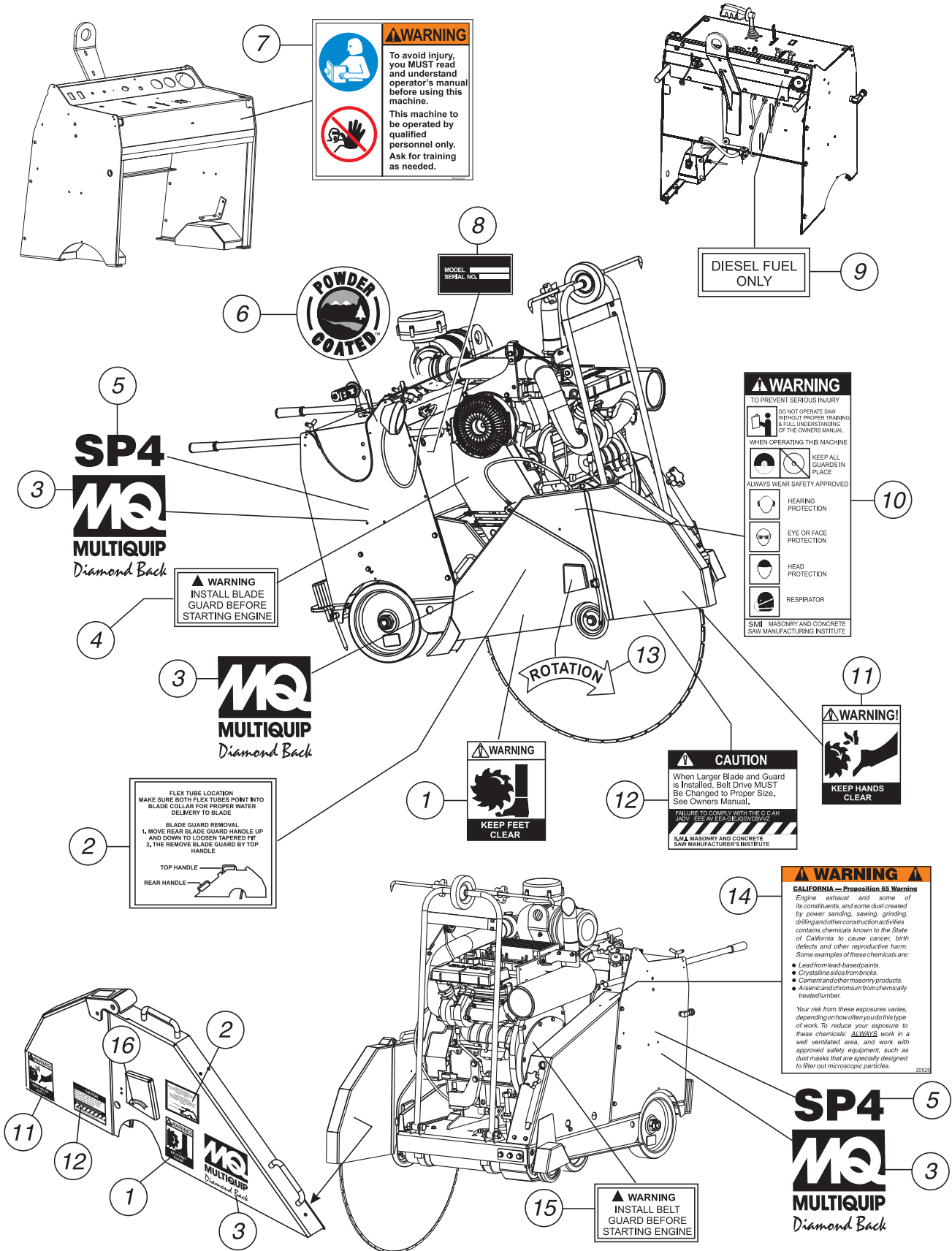
DECK/GAUGE PANEL ASSY.

DECK/GAUGE PANEL ASSY.

<u>NO</u>	<u>PART NO</u>	<u>PART NAME</u>	<u>QTY.</u>	<u>REMARKS</u>
1	600151	GAUGE PANEL	1	
2	600152	DECK PANEL	1	

NAMEPLATE AND DECALS ASSY.

NAMEPLATE AND DECAL ASSY.



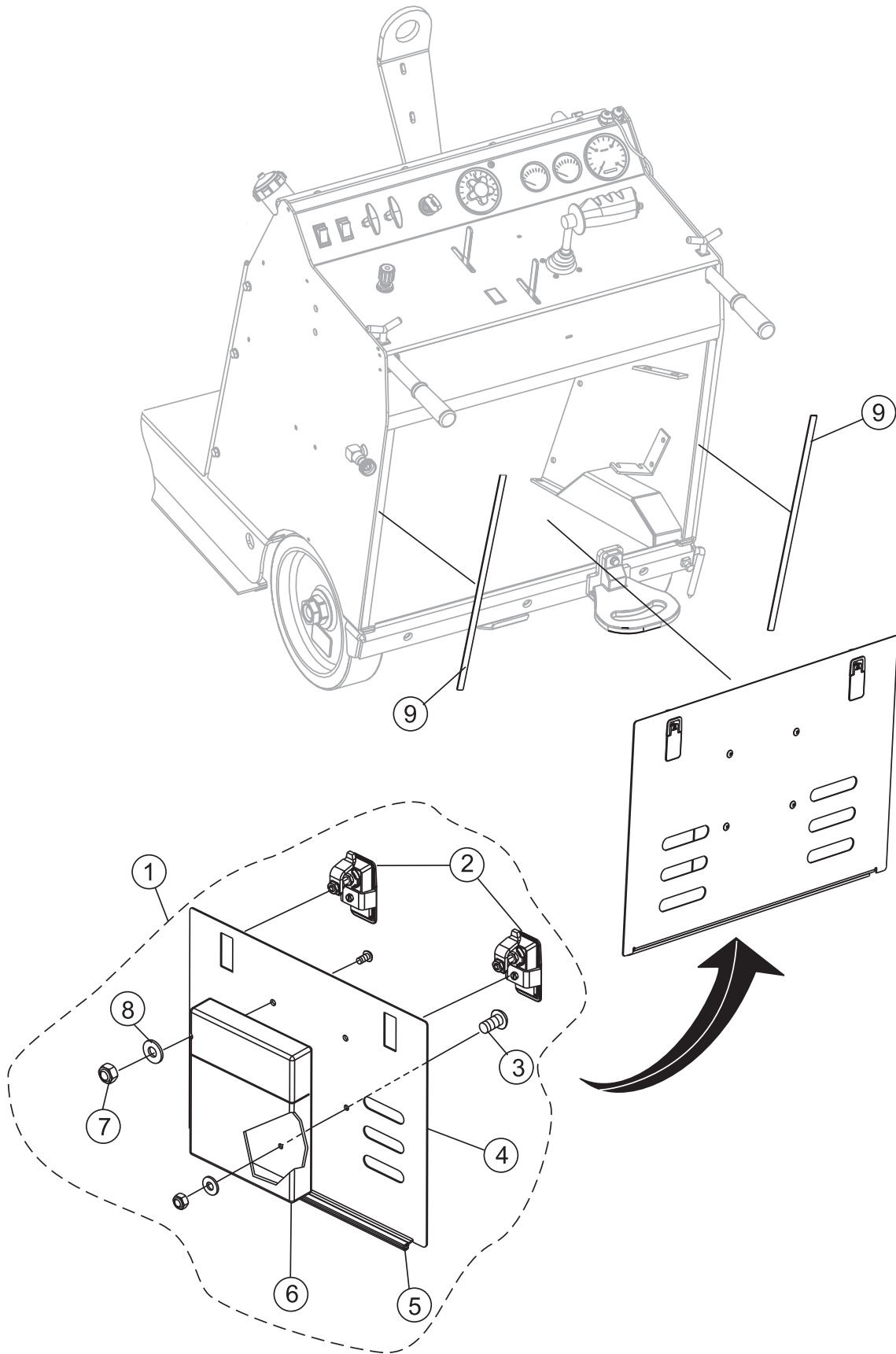
NAMEPLATE AND DECALS ASSY.

NAMEPLATE AND DECAL ASSY.

<u>NO</u>	<u>PART NO</u>	<u>PART NAME</u>	<u>QTY.</u>	<u>REMARKS</u>
1	25250-001	DECAL, WARNING, KEEP FEET CLEAR	2	
2	606004	DECAL, BLADE GUARD REMOVAL	2	
3	25782	DECAL, MQ DIAMOND LOGO	4	
4	21302	DECAL, WARNING, INSTALL BLADE GUARD	1.....	REPLACES P/N 606004
5	25786	DECAL, SP4 LOGO	2	
6	13118	DECAL, POWDER COATED	1	
7	35137	DECAL, WARNING, READ MANUAL	1	
8	1997	DECAL, NAMEPLATE	1	
9	M600002	DECAL, DIESEL FUEL ONLY	1	
10	22122-001	DECAL, WARNING, SERIOUS INJURY	1	
11	25249-001	DECAL, WARNING, KEEP HANDS CLEAR	2	
12	23330-001	DECAL, CAUTION, DRIVE BELT	1	
13	25491	DECAL, ROTATION, CW	1	
14	20525	DECAL, WARNING, PROPOSITION 65	1	
15	604001	DECAL, WARNING, INSTALL BELT GUARD	1	
16	25678	DECAL, ROTATION, CCW	1	

ACCESS PANEL ASSY.

ACCESS PANEL ASSY.



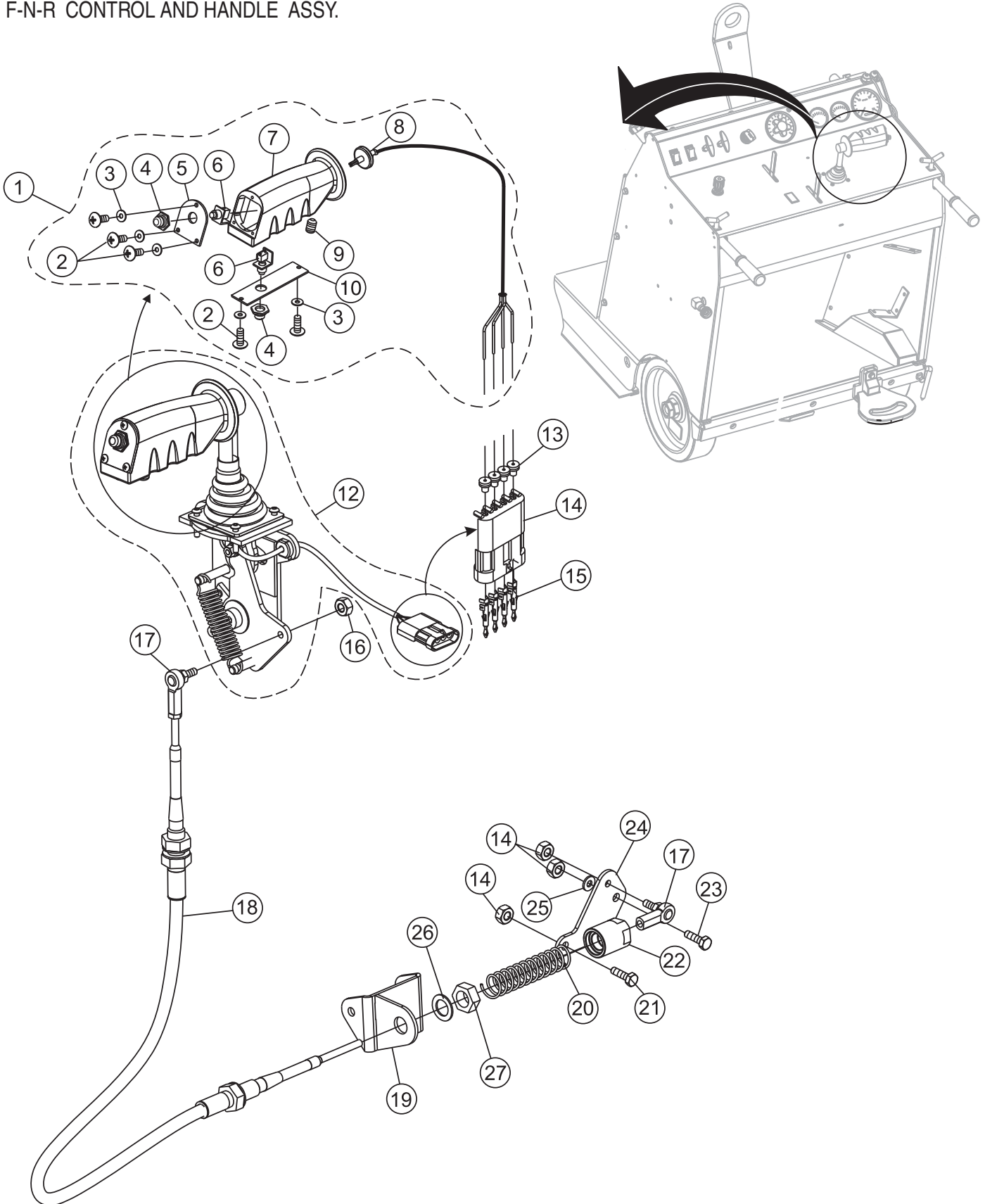
ACCESS PANEL ASSY.

ACCESS PANEL ASSY.

<u>NO</u>	<u>PART NO</u>	<u>PART NAME</u>	<u>QTY.</u>	<u>REMARKS</u>
1	102039	PANEL ASSY., REAR CONSOLE, RED	1	INCLUDES ITEMS W/*
2*	560020	LATCH, REAR SAW ACCESS PANEL	2	
3*	12287	SCREW, THP 1/4-20 X 3/4" SS	4	
4*	102039-1	PANEL, REAR CONSOLE 6000, RED	1	
5*	577002	WEATHER STRIP, REAR SAW ACCESS PANEL	1.75 FT.	
6*	29057	DOCUMENT BOX, CP90007-07	1	
7*	10024	NUT, NYLOCK 1/4-20	4	
8*	10930	WASHER, FENDER, 1/4 X 1-1/4"	4	
9	29093	GASKET, TRIMLOCK X-109BT	2	

F-N-R CONTROL AND HANDLE ASSY.

F-N-R CONTROL AND HANDLE ASSY.



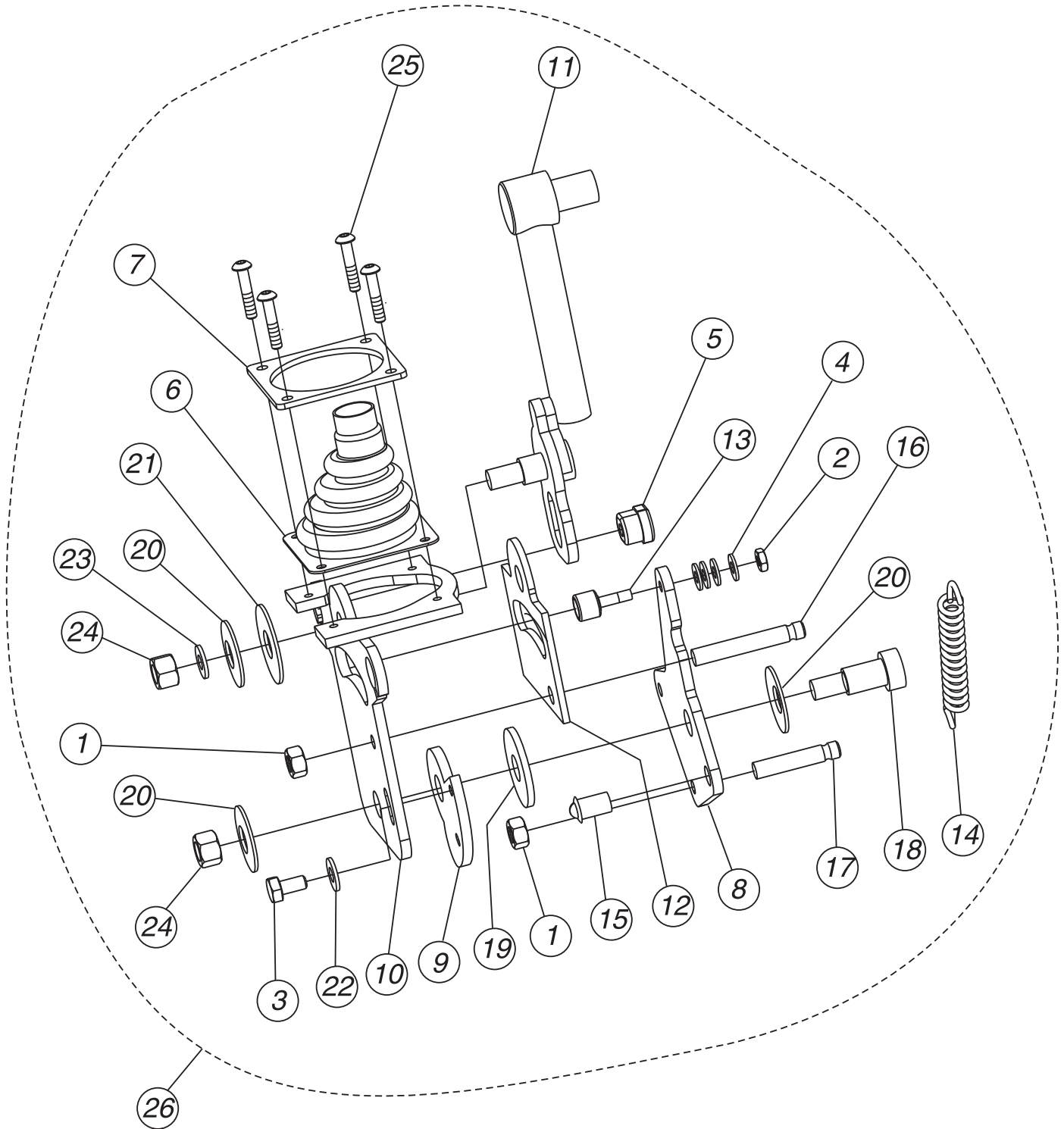
F-N-R CONTROL AND HANDLE ASSY.

F-N-R CONTROL AND HANDLE ASSY.

<u>NO</u>	<u>PART NO</u>	<u>PART NAME</u>	<u>QTY.</u>	<u>REMARK</u>
1%	560030	F-N-R CONTROL HANDLE ASSY.	1	INCLUDES ITEMS W/*
2*%	560028-6	SCREW, #6-32 X 3/8	5	
3*%	5600028-8	WASHER, FLAT #4 NYLON	5	
4*%	560028-4	RUBBER BOOT	2	
5*%	560028-3	PLATE, SIDE SWITCH	1	
6*%	560028-5	SWITCH ASSEMBLY	2	
7*%	560028-1	HANDLE HOUSING	1	
8*%	60118	WIRE, F-N-R	1	
9*%	925381	SCREW, SET 1/4-20 X 3/8	1	
10*%	560028-2	PLATE, FRONT SWITCH	1	
12	25627	F-N-R CONTROL ASSY.	1	INCLUDES ITEMS W/%
13%	405070	SEAL, WEATHERPACK, RED	4	
14%	12223	TERMINAL WEATHERPACK	4	
15%	405046	CONNECTOR, TERMINAL, MALE	4	
16	6904	NUT, HEX FINISH 1/4-28 ZINC	4	
17	580001	ROD END, 1/4-20 FEMALE RH	2	
18	440006	CABLE, CONTROL 40" X 2" STROKE	1	
19	120077	MOUNT W/A TRANSAXLE CTRL. CABLE	1	
20	565006	SPRING, CTRL. CABLE TENSIONING	1	
21	915003	SCREW, HHC 1/4-20 X 3/4 GRD. 8	1	
22	584044	RETAINER, FNR CABLE SPRING	1	
23	2295	SCREW, HHC 1/4-20 X 7/8	1	
24	440005	PLATE, F-N-R PINTLE CONTROL	1	
25	933240	WASHER, FLAT SAE 1/4" GRD. 9	1	
26	TBD	WASHER	1	
27	TBD	NUT	1	

JOYSTICK MOUNTING ASSY.

JOYSTICK MOUNTING ASSY.

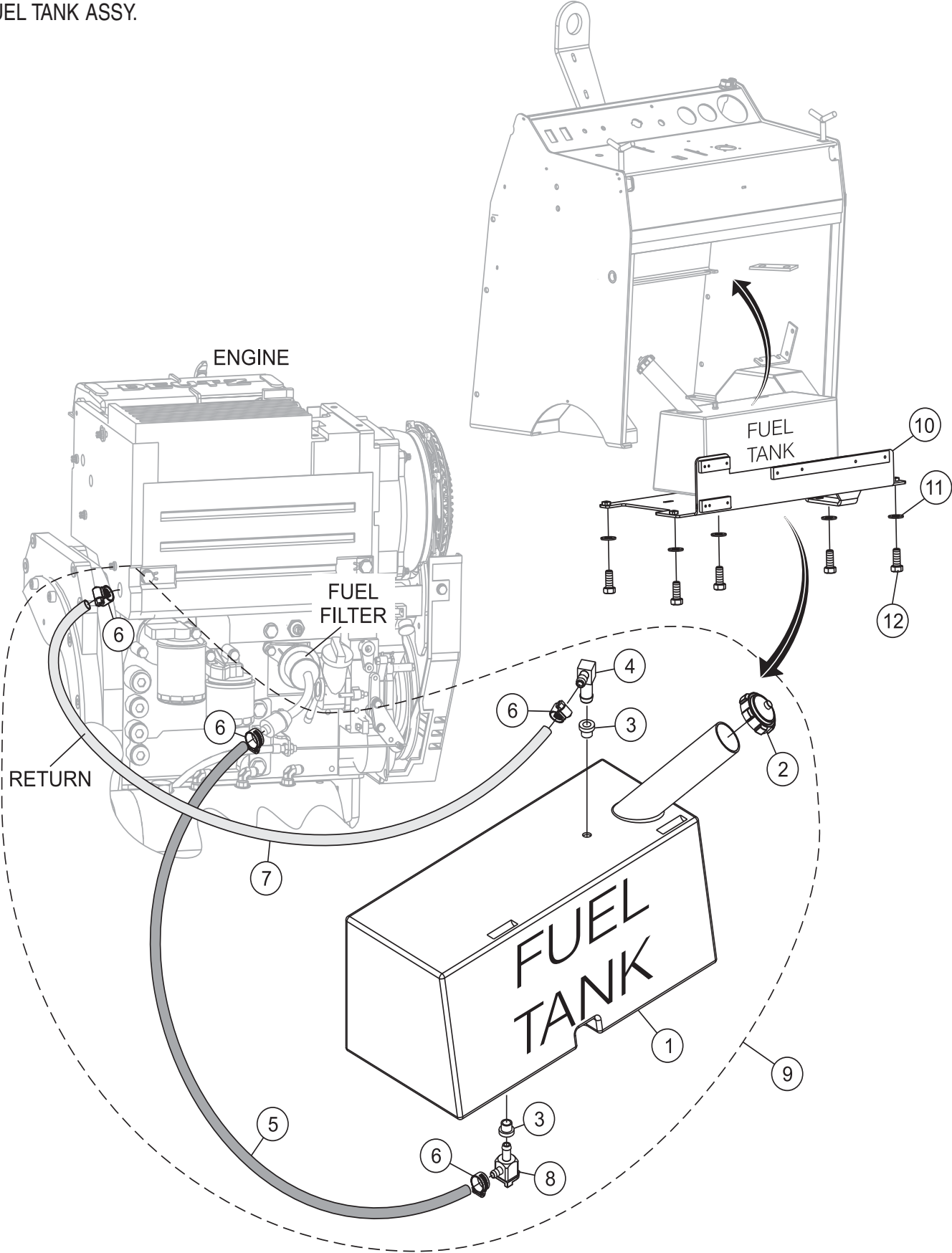


JOYSTICK MOUNTING ASSY.

JOYSTICK MOUNTING ASSY.

<u>NO</u>	<u>PART NO</u>	<u>PART NAME</u>	<u>QTY.</u>	<u>REMARK</u>
1*	0161D	NUT, HEX FINISH 5/16-18	2	
2*	10019	NUT, FYLOC #10-32	1	
3*	1579	SCREW. JJC 1/4-20 X .5	1	
4*	2203	WASHER, FLAT, #10	4	
5*	405053	CORD GRIP, SAW FNR CONTROL	1	
6*	442005-6	BOOT, FNR CONTROL HANDLE	1	
7*	442006-3	SPACER, F-N-R	1	
8*	442011	BELLCRANK, SAW F-N-R	1	
9*	442012	PLATE, NEUTRAL DETENT	1	
10*	442013	F-N-R MOUNTING PLATE	1	
11*	442021	CONTROL LEVER	1	
12*	442022	SPACER, F-N-R DELRIN	1	
13*	460018	CAM ROLLER, SAW FNR CONTROL	1	
14*	565005	EXTENSION SPRING F-N-R CONTROL	1	
15*	584021	DENTENT BALL, SAW FNR CONTROL	1	
16*	584023	PIN, LONG SPRING HANGER	1	
17*	584024	PIN, SHORT SPRING HANGER	1	
18*	926348	SCREW, SHOULDER 3/8-16 X 3/4	1	
19*	933015	FRICITION DISC, SAW F-N-R	1	
20*	933073	1/2 X 1-1/4 BELLEVILLE WASHER	3	
21*	933225	WASHER, FENDER 1/2 X 1-1/2 ZINC	1	
22*	933240	WASHER, FLAT 1/4 SAE	1	
23*	933242	WASHER, FLAT 3/8 SAE	1	
24*	938062	LOCKNUT 3/8-16YZ	2	
25*	973735	SCREW, BHSC 10-24X1-SS	4	
26	M13004	F-N-R MOUNTING ASSY.	1	INCLUDES ITEMS W/*

FUEL TANK ASSY.



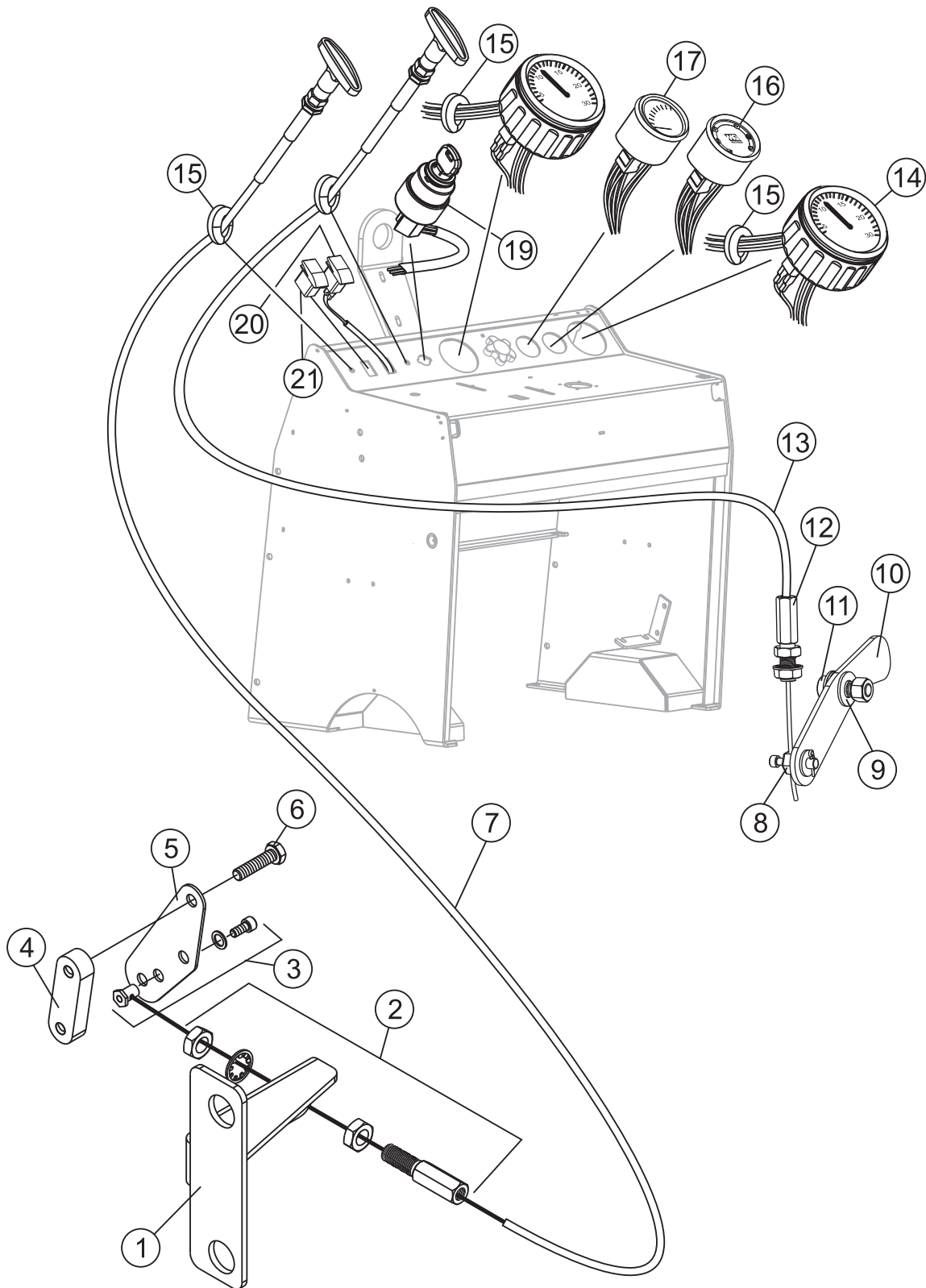
FUEL TANK ASSY.

FUEL TANK ASSY.

<u>NO</u>	<u>PART NO</u>	<u>PART NAME</u>	<u>QTY.</u>	<u>REMARK</u>
1*	140004	FUEL TANK, 6000 & 6400 10 GAL	1	
2*	29509	CAP, FUEL TANK 2.25 DIA, ONE WAY VALVE	1	
3*	19633	BUSHING, RUBBER FUEL DAPCO 10672	2	
4*	368006	FITTING, FUEL 90 DEG. #4 X #6 BARB	1	
5*	35009	HOSE, 22.5" - 5/16" FUEL LINE	1	
6*	19473	CLAMP, HOSE WORM # 2	4	
7*	35007	HOSE, 26.5" - 1/4" FUEL LINE	1	
8*	37128	VALVE, FUEL ON/OFF	1	
9	25553	FUEL TANK ASSY.....	1	INCLUDES ITEMS W/*
10	102043-1	PLATFORM W/A SAW FUEL TANK	1	
11	933242	WASHER, FLAT SAE 3/8" GRADE 9	5	
12	0166	SCREW, HHC 3/8-16" X 7/8"	5	

GAUGES AND CONTROLS ASSY.

GAUGES AND CONTROLS ASSY.

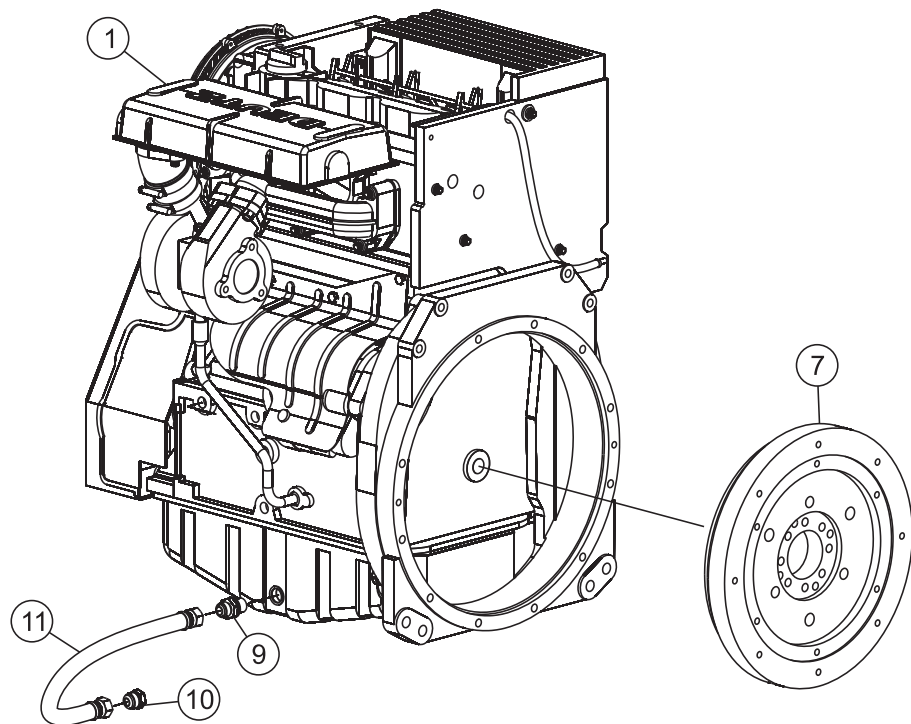
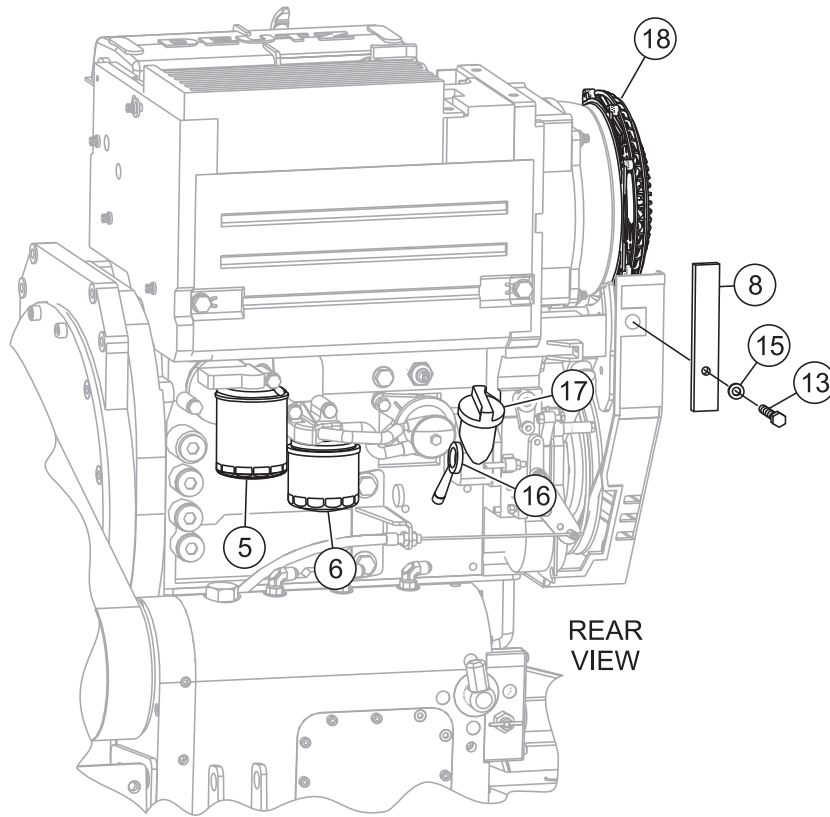


GAUGES AND CONTROLS ASSY.

GAUGES AND CONTROLS ASSY.

<u>NO</u>	<u>PART NO</u>	<u>PART NAME</u>	<u>QTY.</u>	<u>REMARK</u>
1	120222	BRACKET, DUETZ THROTTLE CABLE	1	
2	25634	BULK HEAD ADAPTOR	1	
3	25624	SWIVEL, CABLE END	1	
4	448004-1	SPACER, DEUTZ THROTTLE ACTUATOR ARM	1	
5	448004	ARM, DEUTZ THROTTLE ACTUATOR	1	
6	M940653	SCREW, HHC M6-1.0 X 25MM GR10.9	2	
7	15171	CABLE, PULL (THROTTLE)	1	
8	584028	PIVOT END, CABLE	1	
9	933242	WASHER, FLAT SAE 3/8 GRD 9 YZ	6	
10	448006	CAM LEVER, CONCRETE SAW	1	
11	926327	SCREW, SHDLR 3/8D X 1/2L, 5/16-1,SCKT HD	1	
12	25634	BULK HEAD ADAPTOR	1	
13	15171	CABLE, PULL (DRIVE ENGAGE)	1	
14	421000	TACHOMETER, ELECTRIC 0-3000 RPM	1	
15	579072	GROMMET. 1/2" ID	4	
16	406021	INDICATOR, ENGINE	1	
17	423000	VOLTMETER	1	
18	406017-1	KEY, IGNITION	2	
19	406017	IGNITION SWITCH W/KEYS	1	
20	406000	SWITCH, ROCKER, CH# M-58031-01	2	AUX AND LIGHTS
21	406020	BLANK, ROCKER SWITCH COVER	1	AUX SWITCH NOT USED

ENGINE ASSY.



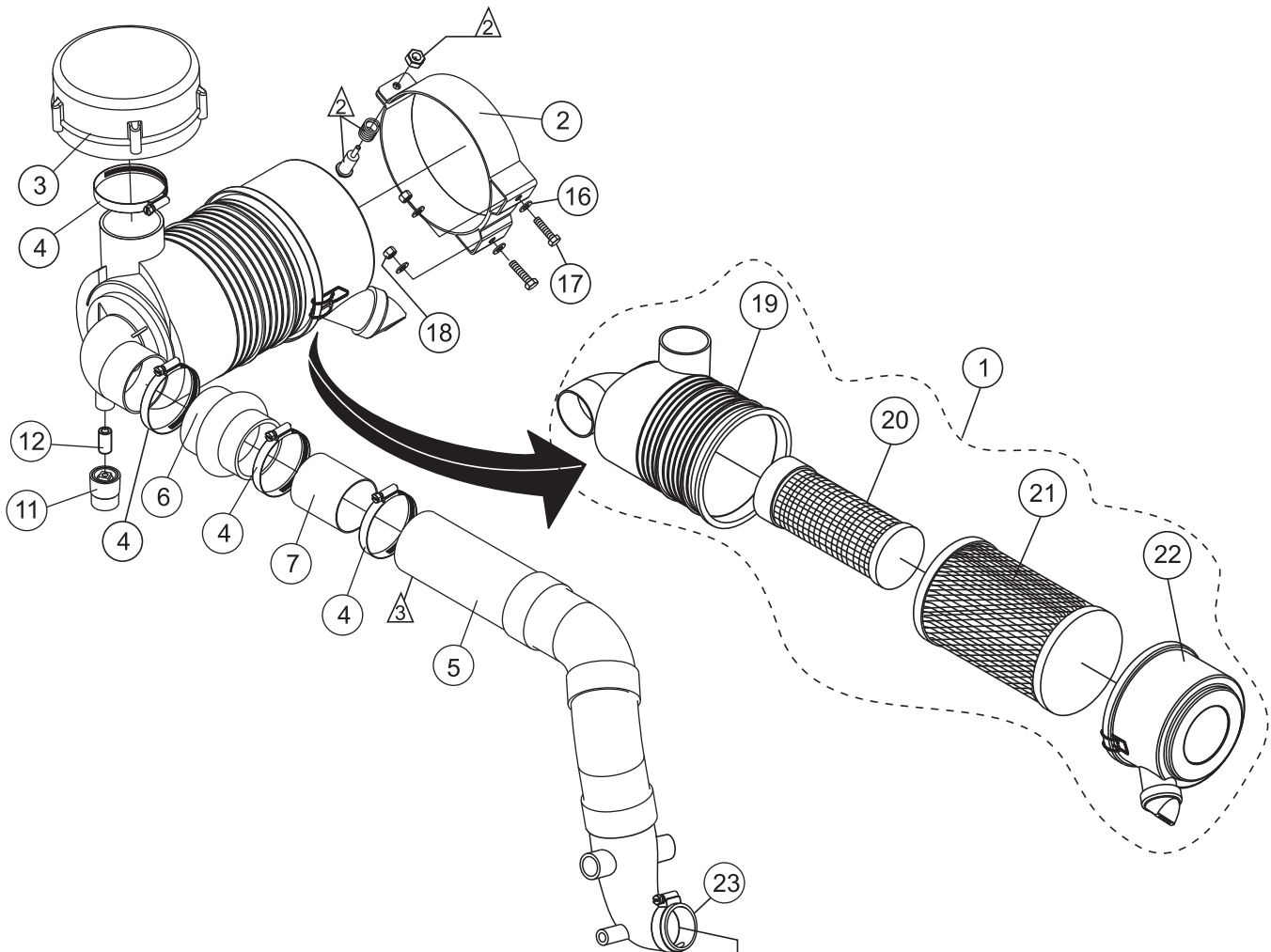
ENGINE ASSY.

ENGINE ASSY.

<u>NO.</u>	<u>PART NO.</u>	<u>PART NAME</u>	<u>QTY.</u>	<u>REMARKS</u>
1	35396	ENGINE, DEUTZ BF3L 2011 60HP TURBO DIESEL	1	
5	306012	FILTER, OIL, DEUTZ	1	
6	304010	FILTER, FUEL, DEUTZ	1	
7	267002	FLYWHEEL, MODIFIED BF 3L 1011 FL	1	
8	205007	PLATE, HANDLEBAR STOP	1	
9	367681	FITTING, STR 8MJ-M18MO	1	
10	366030	FITTING, PLUG 8MJ	1	
11	35017	HOSE ASSY, 19.9" #8LP W/ 370677/370677	1	
13	946703	SCREW, HHC M8-1.25 X 25MM GR10.9	1	
15	933242	WASHER	1	
16	TBD	DIPSTICK	1	
17	TBD	OIL FILLER CAP	1	
18	267009	BLOWER JACKET 57HP DEUTZ TD 04179632	1	

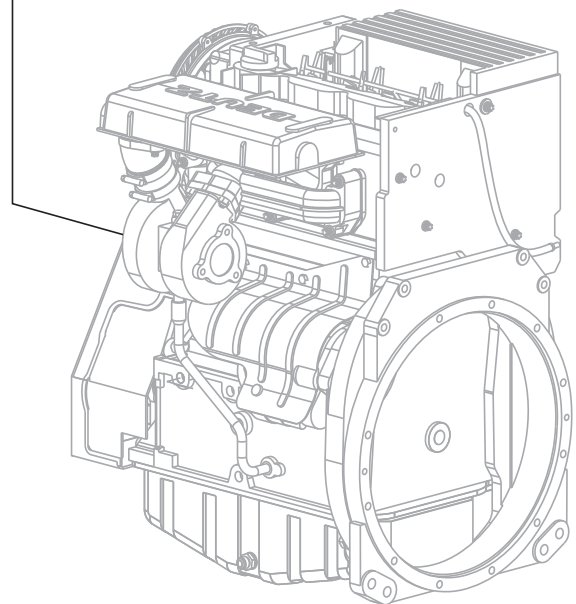
AIR INTAKE HOSE ASSY.

AIR INTAKE HOSE ASSY.



NOTES:

- ① AIR INTAKE HOSE ORIENTATION MAY BE FLIPPED ON UNIT
- ② INCLUDED WITH ITEM 2. CANNOT BE PURCHASED SEPARATELY.
- ③ CUT END TO FIT.



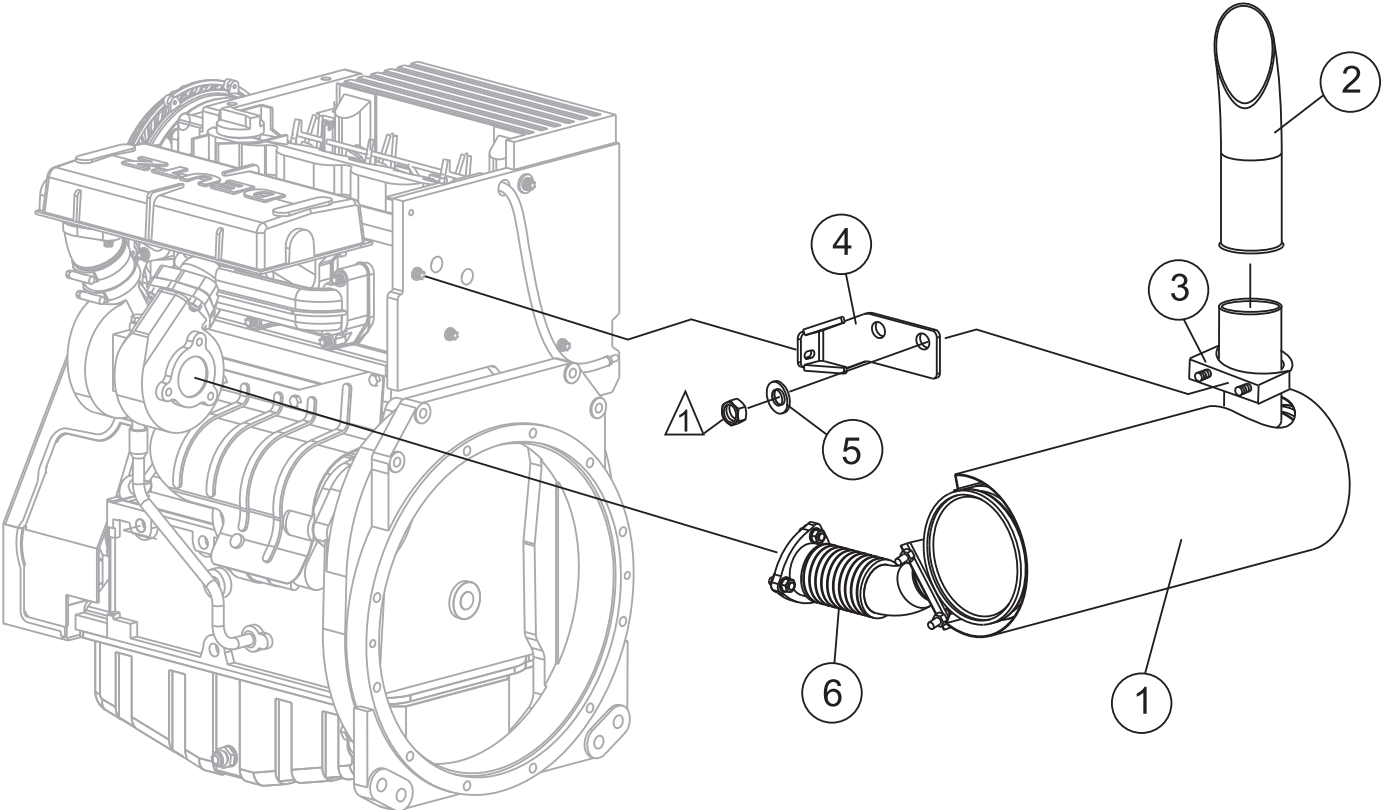
AIR INTAKE HOSE ASSY.

AIR INTAKE HOSE ASSY.

<u>NO</u>	<u>PART NO</u>	<u>PART NAME</u>	<u>QTY.</u>	<u>REMARK</u>
1	300010	AIR CLEANER, DONALDSON, W/90 DEG. BEND	1	INCLUDES ITEMS W/*
2	300007-1	BAND, DONALDSON AIR CLEANER	1	
3	282003	PREFILTER, ENGINE AIR 3"	1	
4	29218	CLAMP, HOSE WORM #48	3	
5	25625	AIR INTAKE HOSE ASM	1	
6	302009	HOSE, HUMP 3" x 2.75"	1	
7	584036	TUBING, AIR CLEANER SPLICE	1	
8	302012	TUBE, CRANCASE BREATHER, 57HP	1	
11	406018	INDICATOR, ELECTRICAL SERVICE 30" H2O/7.5KPa	1	
12	65516	FITTING, NIPPLE 1/8" MP	1	
16	933241	WASHER, FLAT SAE 5/16 GRD 9 YZ	4	
17	2623	SCREW, HHC 5/16-18 x 1-1/4	2	
18	5283	NUT, NYLOC 5/16-18	2	
19*	300010-1	BODY, AIR FILTER	1	
20*	300009	AIR FILTER, SAFETY ELEMENT	1	
21*	300008	AIR FILTER, PRIMARY ELEMENT	1	
22*	300010-2	CAP, AIR FILTER	1	
23	15538	CLAMP, HOSE WORM #6, 7/16-11/16	1	

MUFFLER KIT ASSY.

MUFFLER KIT ASSY.



NOTES:

△ 1 INCLUDED WITH ITEM 3.

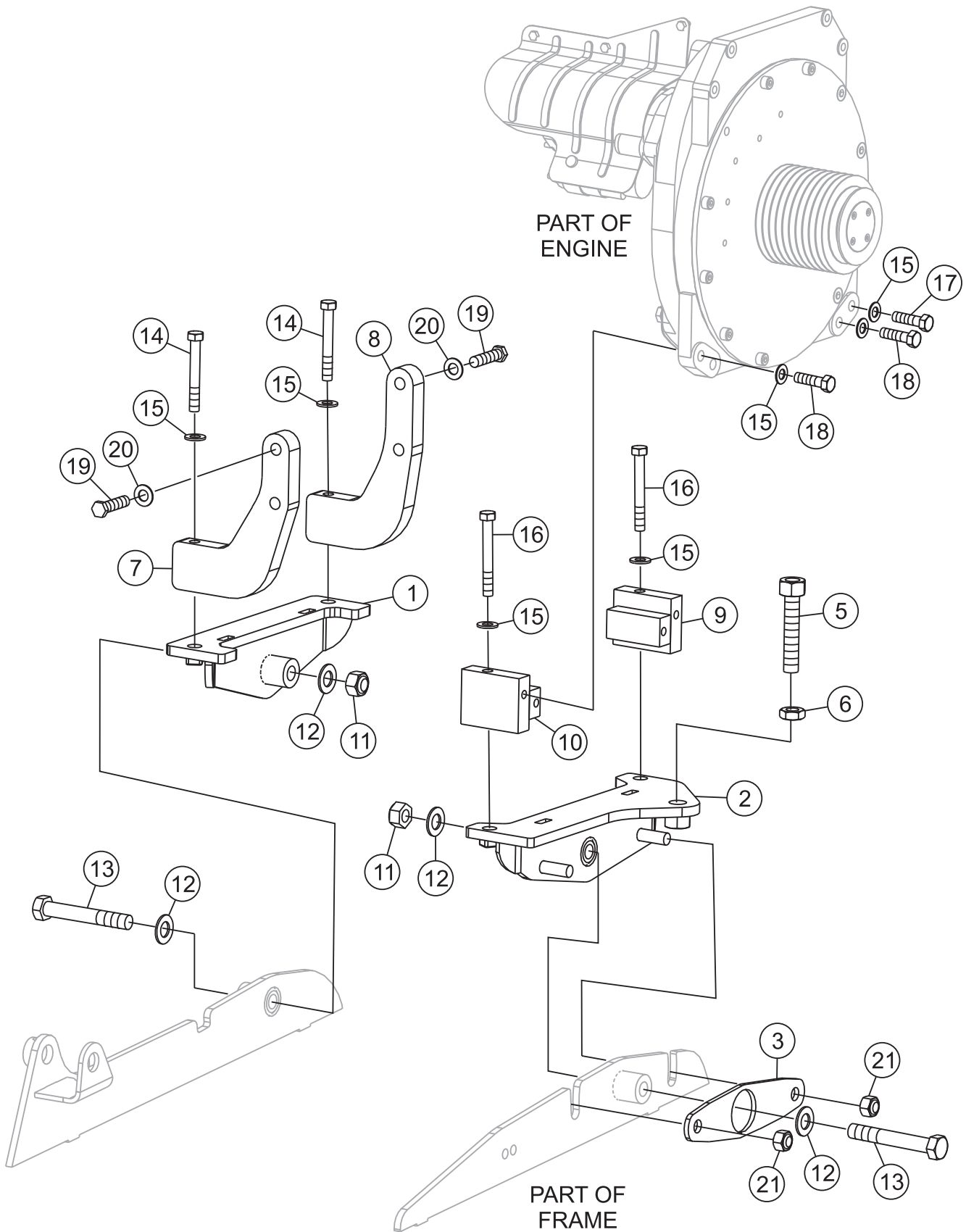
MUFFLER KIT ASSY

MUFFLER KIT ASSY.

<u>NO</u>	<u>PART NO</u>	<u>PART NAME</u>	<u>QTY.</u>	<u>REMARK</u>
1	280002	MUFFLER AND FLEX KIT ASSY.	1	
2	285003	EXHAUST, 12" EXTENSION	1	
3	570005	CLAMP, MUFFLER 2-1/2", 5/16" U-BOLT	1	
4	106088	BRACKET W/A, DEUTZ MUFFLER SUPPORT	1	
5	0300 B	WASHER, FLAT SAE 5/16	2	
6	280002	FLEX KIT	1	

ENGINE MOUNTING ASSY.

ENGINE MOUNTING ASSY.



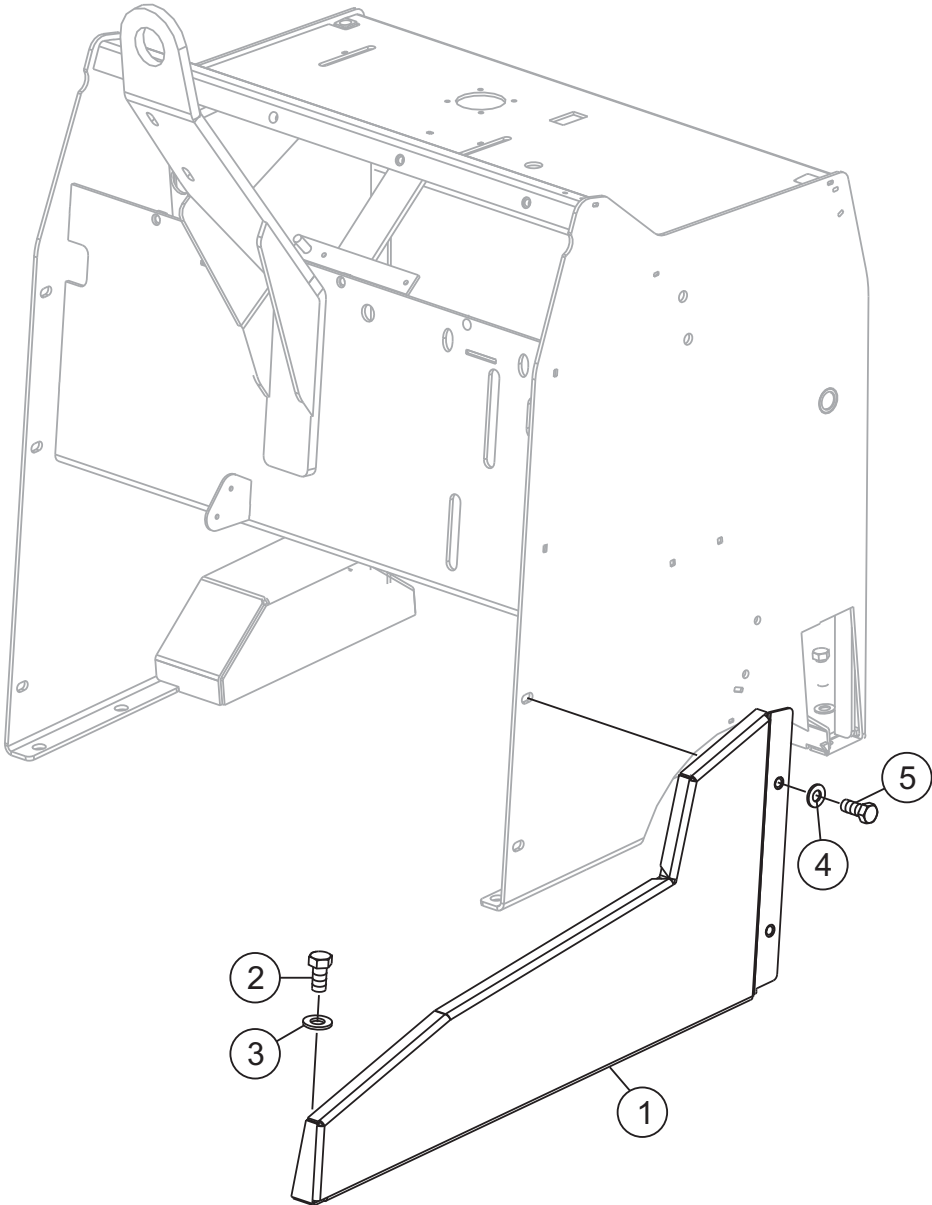
ENGINE MOUNTING ASSY.

ENGINE MOUNTING ASSY.

<u>NO.</u>	<u>PART NO.</u>	<u>PART NAME</u>	<u>QTY.</u>	<u>REMARKS</u>
1	120266	FRONT ENGINE TRUNNION	1	
2	120267	REAR ENGINE TRUNNION	1	
3	120268	RETAINER PLATE	1	
4	937188	NUT, LOCK NUT,NYLOC 5/8-11GRD8	2	
5	913838	SCREW, HHC 3/4-10X4 FT GR8	1	
6	936216	NUT, HEX JAM 3/4-10, ZINC	1	
7	120270	SUPPORT ARM, LH DEUTZ ENGINE	1	
8	120271	SUPPORT ARM, RH DEUTZ ENGINE	1	
9	120274	ENGINE MOUNT, RH REAR DEUTZ ENGINE, WA	1	
10	120273	ENGINE MOUNT, LH REAR DEUTZ ENGINE, WA	1	
11	938067	NUT, TOP LOCK 3/4-10 GR9YZ	2	
12	933247	WASHER, FLAT SAE 3/4 GRD 9 YZ	4	
13	915373	SCREW, HHC 3/4-10X5GRD 8	2	
14	915218	SCREW, HHC 1/2-13 X 3-3/4GRD8	2	
15	933244	WASHER, FLAT SAE 1/2 GRD 9 YZ	7	
16	16521	SCREW, HHC 1/2-13 X 4 GD8	2	
17	25716	SCREW, MODIFIED 1/2-13 X 1 3/4 GR5	1	
18	915211	SCREW, HHC 1/2-13 X 2 GR8 YZ	3	
19	940738	SCREW, HHC M14-2.0X50MM GRD. 10.9	4	
20	933245	WASHER, FLAT SAE 9/16 GRD 9 YZ	4	
21	TBD	NUT	2	

ENGINE GUARD ASSY.

ENGINE GUARD ASSY.



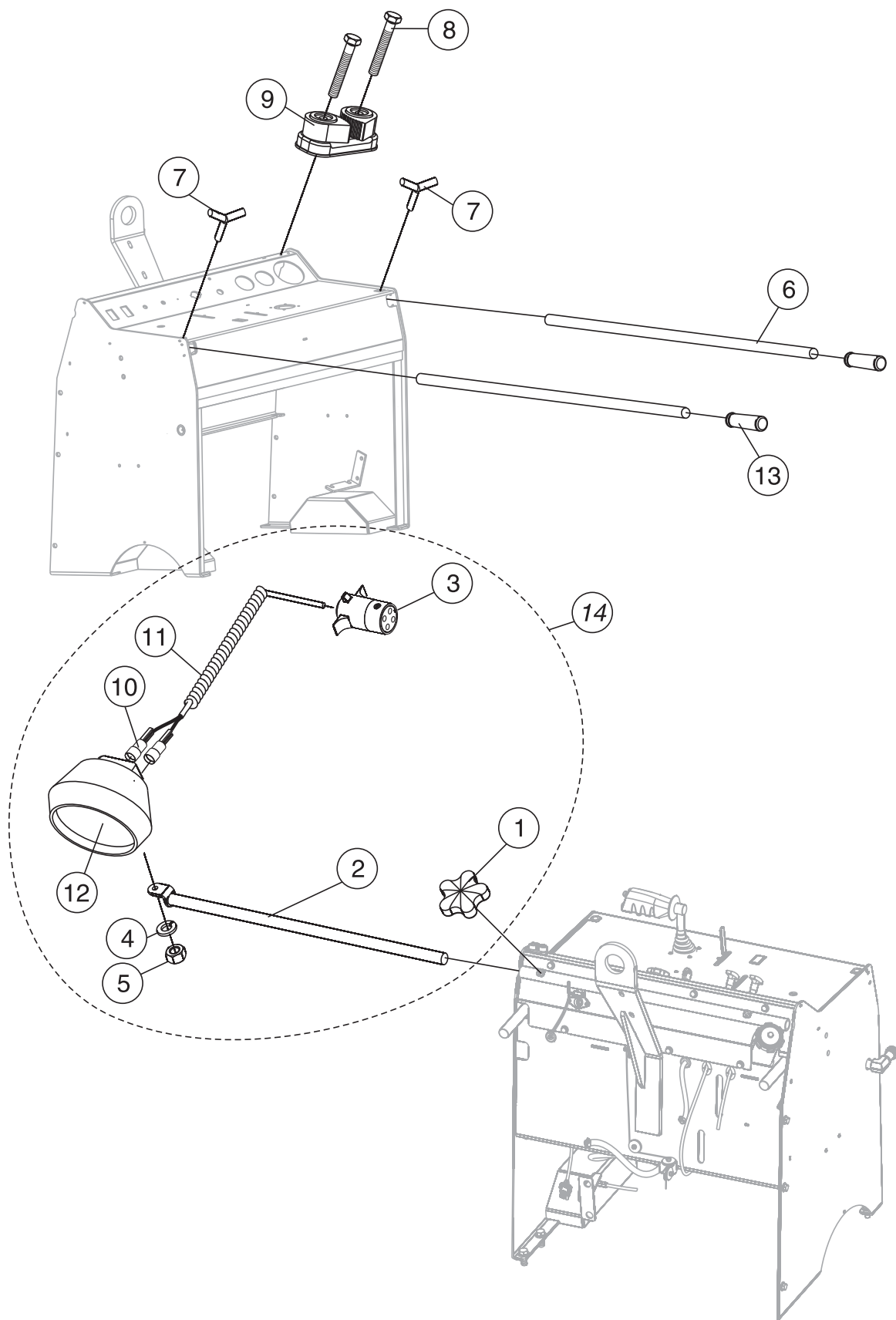
ENGINE GUARD ASSY.

ENGINE GUARD ASSY.

<u>NO.</u>	<u>PART NO.</u>	<u>PART NAME</u>	<u>QTY.</u>	<u>REMARKS</u>
1	205011	ENGINE GUARD, WA	1	
2	3214	SCREW, HHC 1/2-13 X 1 1/4	1	
3	933244	1/2 SAE FLAT WASHER YZ9	1	
4	TBD	WASHER	2	
5	TBD	HEX BOLT	2	

HANDLE AND LIGHT ASSY.

HANDLE AND LIGHT ASSY.



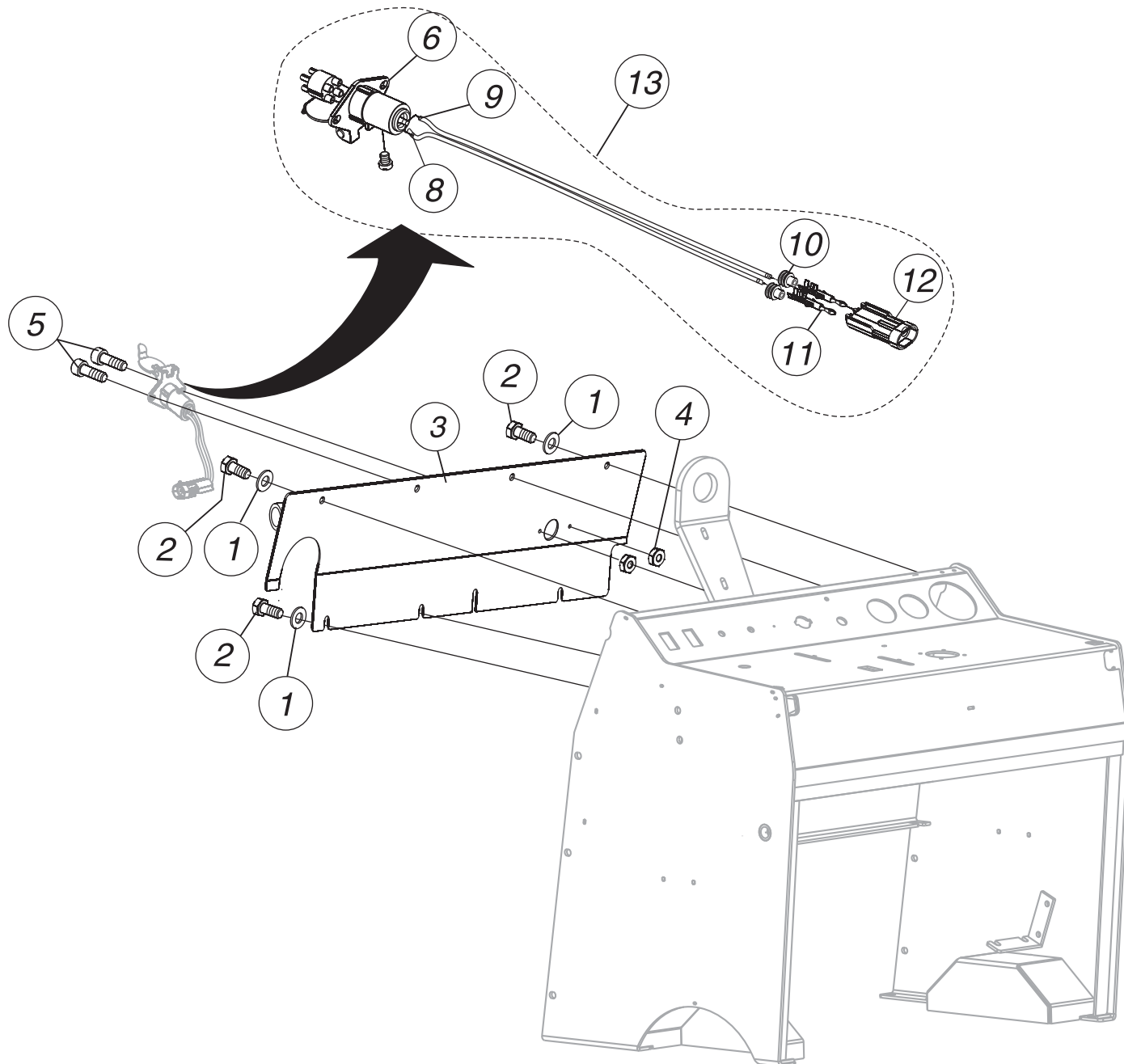
HANDLE AND LIGHT ASSY.

HANDLE AND LIGHT ASSY.

<u>NO.</u>	<u>PART NO.</u>	<u>PART NAME</u>	<u>QTY.</u>	<u>REMARKS</u>
1*	15503	KNOB, COMFORT GRIP STAR, 3/8 - 16 X 1	2	
2*	102023-2	TUBE, LIGHT BAR	1	
3*	405001	CONNECTOR, PLUG, 4 PIN FEMALE	1	
4*	TBD	WASHER, LOCK	1	
5*	TBD	NUT	1	
6	560023-1	HANDLE BAR, CONCRETE SAW	2	
7	560024	KNOB W/A, HANDLEBAR	2	
8	923199	SCREW, SHC 8-32 X 1-1/4	2	
9	574002	CAM CLEAT	1	
10*	TBD	TERMINAL,FEM-SMALL 16-18 GA	2	
11*	TBD	CORD, LIGHT-EXTENDABLE	1	
12*	TBD	LIGHT ASSY.,RECTANGULAR COMP.	1	
13	560017	GRIP HANDLE BAR	2	
14	TBD	LIGHT KIT	1	INCLUDES ITEMS W/*

LIGHT CONNECTOR/DASH PANEL ASSY.

LIGHT CONNECTOR/DASH PANEL ASSY.



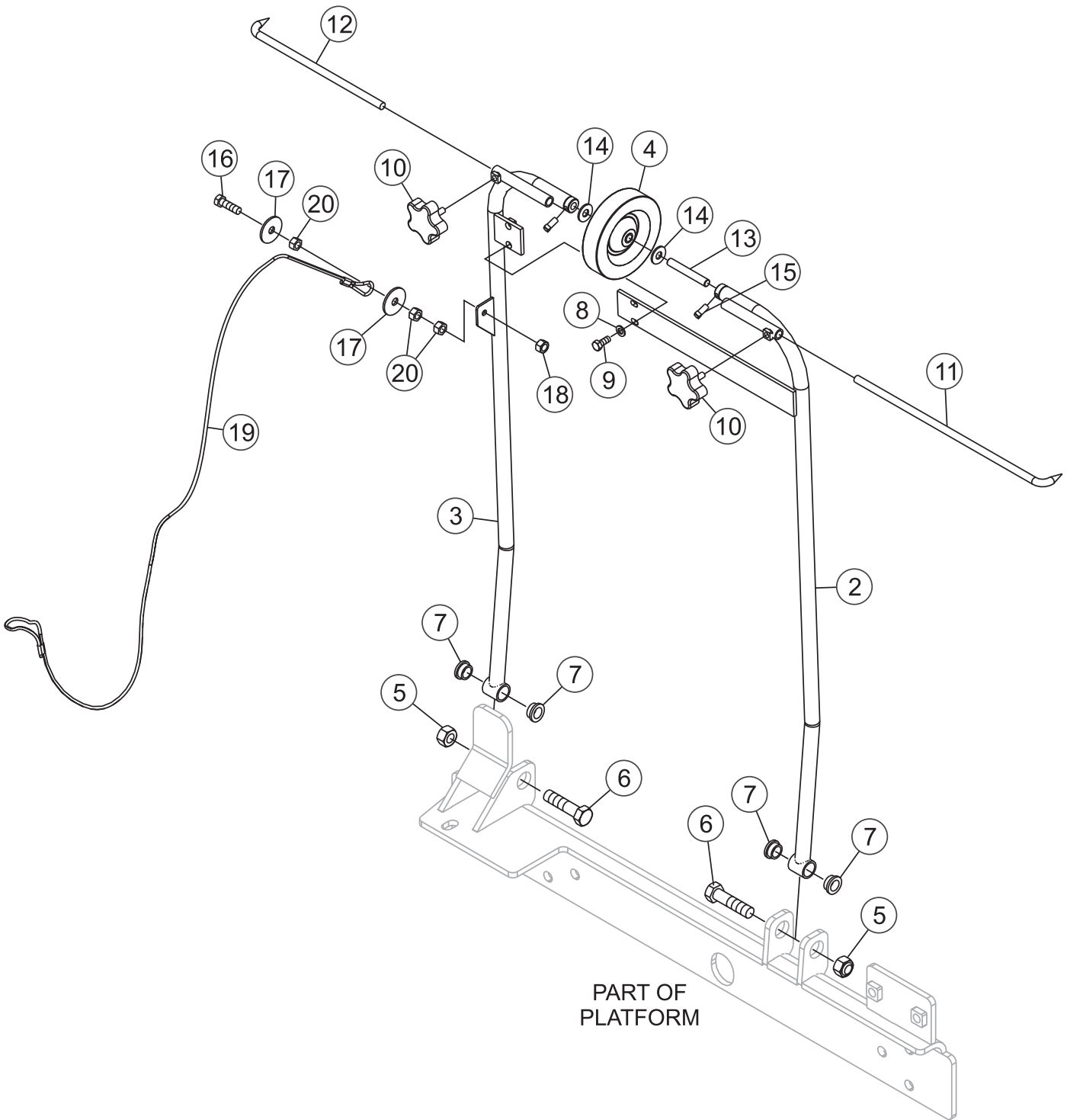
LIGHT CONNECTOR/DASH PANEL ASSY.

LIGHT CONNECTOR/DASH PANEL ASSY.

<u>NO.</u>	<u>PART NO.</u>	<u>PART NAME</u>	<u>QTY.</u>	<u>REMARKS</u>
1	933241	WASHER, FLAT SAE 5/16 GRD 9 YZ	7	
2	0655	SCREW, HHC 5/16-18 X 3/4	7	
3	104016	COVER W/A, CONCRETE SAW DASH PANEL	1	
4	13287	NUT, NYLOC 8-32	2	
5	923114	SCREW, SHC 8-32 x 1/2	2	
6*	405000	CONNECTOR, 4-WAY SOCKET CHROME	1	
8*	TBD	WIRE, BLACK #14	TBD	
9*	TBD	WIRE, BLACK #14	TBD	
10*	12171	SEAL, WEATHERPACK 16-18 GA , GREEN	2	
11*	12179	TERMINAL, WEATHERPACK MALE 14-16 GA	2	
12*	12176	CONNECTOR, WEATHERPACK 2 PIN MALE	1	
13	25865	HARNESS, LIGHT KIT	1	INCLUDES ITEMS W/*

POINTER ASSY.

POINTER ASSY.

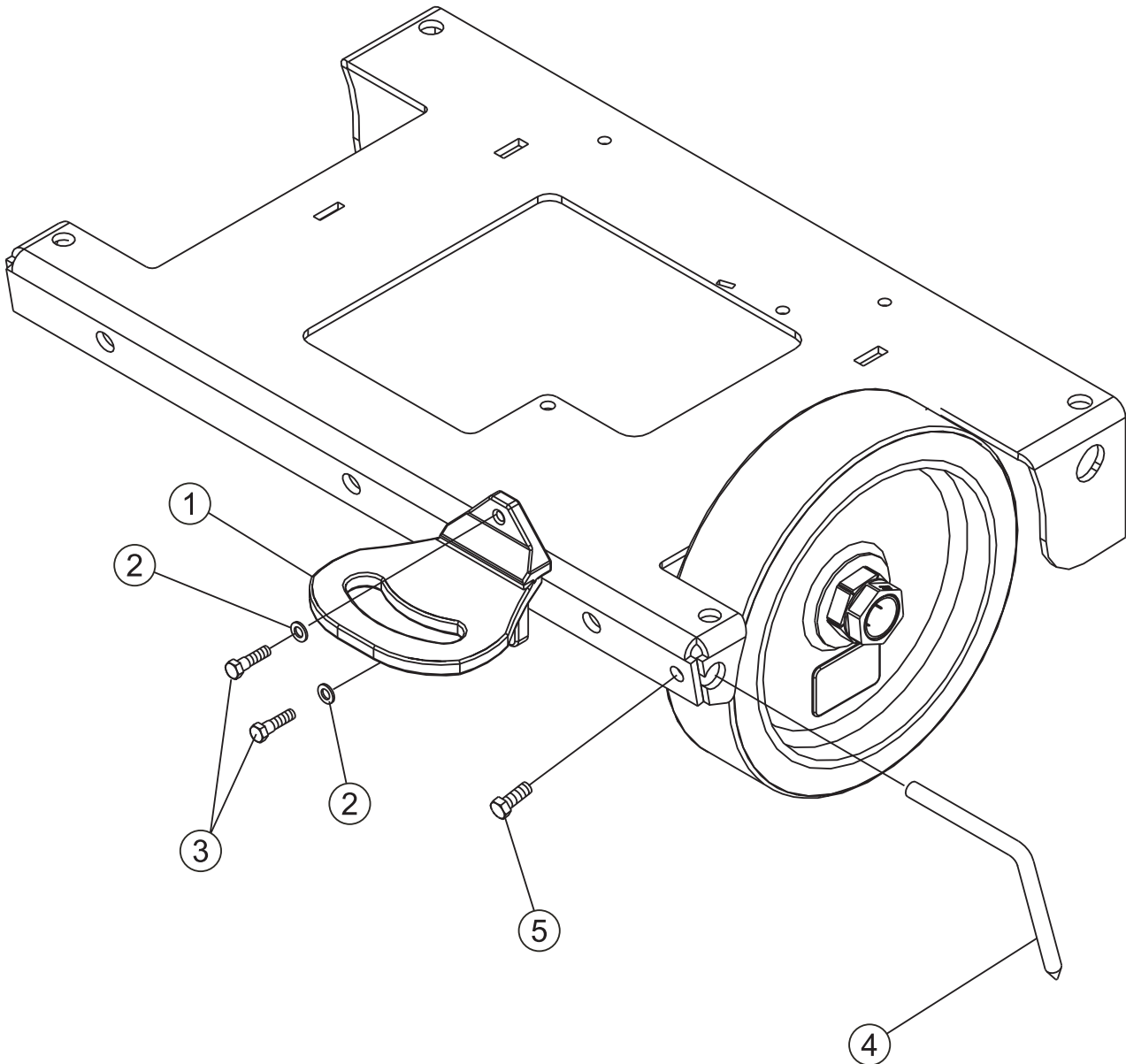


POINTER ASSY.

<u>NO.</u>	<u>PART NO.</u>	<u>PART NAME</u>	<u>QTY.</u>	<u>REMARKS</u>
2	120239	POINTER FRAME WA, RIGHT SIDE 6400	1	
3	120238	POINTER FRAME WA, LEFT SIDE 6400	1	
4	500005	6 X 1 POINTER WHEEL	1	
5	5070 B	NUT, NYLOC 3/4-10	2	
6	995366	SCREW, HHC 3/4-10X3-1/4 YZ5	2	
7	582008	BUSHING, FLANGE, 1 OD X 3/4 ID	4	
8	933241	WASHER, FLAT SAE 5/16 GRD 9 YZ	2	
9	0655	SCREW, HHC 5/16-18 X 3/4	2	
10	15503	KNOB, COMFORT GRIP STAR, 3/8-16 X 1	2	
11	110044	POINTER, RIGHT FRONT 17 1/4 (6457)	1	
12	110045	POINTER, LEFT FRONT 12 1/4	1	
13	160004	AXLE, POINTER WHEEL	1	
14	933244	WASHER, FLAT SAE 1/2 GRD 9 YZ	2	
15	926006	SCREW, SQHS, CP 1/4-20 X 1/2	2	
16	20473	SCREW, HHC 3/8-16 X 3 FULL THREAD GR5	1	
17	3233	WASHER, FENDER, 1.5OD X 3/8ID	2	
18	937185	NUT, LOCK, NYLOC 3/8-16 GRD 8	1	
19	574003	POINTER ROPE ASSY	1	
20	1456	NUT, HEX FINISH 3/8-16	3	

REAR POINTER AND FOOT REST ASSY.

REAR POINTER AND FOOT REST ASSY.

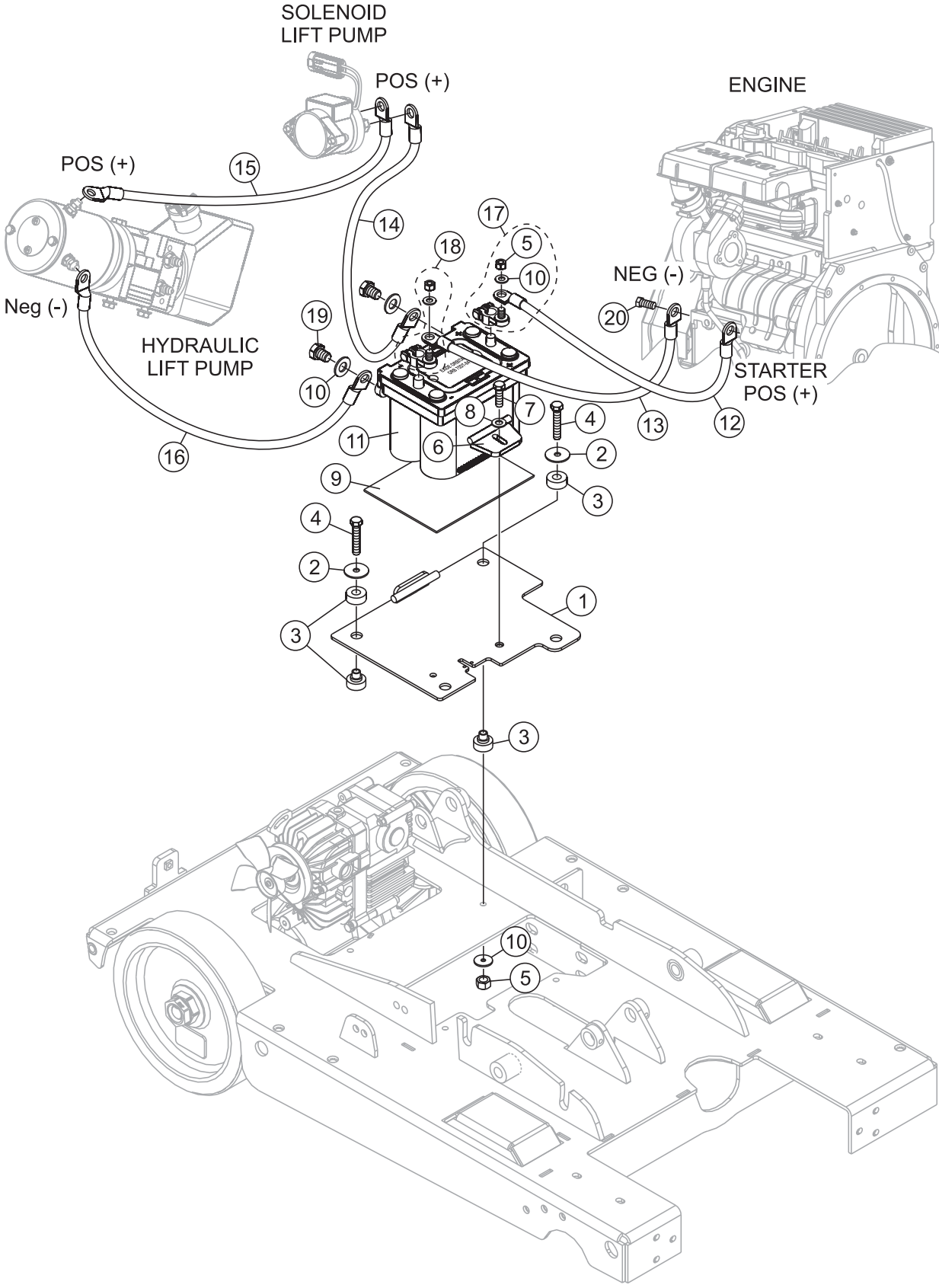


REAR POINTER AND FOOT REST ASSY.

REAR POINTER AND FOOT REST ASSY.

<u>NO.</u>	<u>PART NO.</u>	<u>PART NAME</u>	<u>QTY.</u>	<u>REMARKS</u>
1	560029	FOOT REST	1	
2	933241	WASHER, FLAT 5/16" YZ9	2	
3	0202	SCREW, HHC 5/16"-18 X 1 ZINC	2	
4	110020	REAR POINTER	1	
5	0205	HCS, 3/8-16 X1	1	

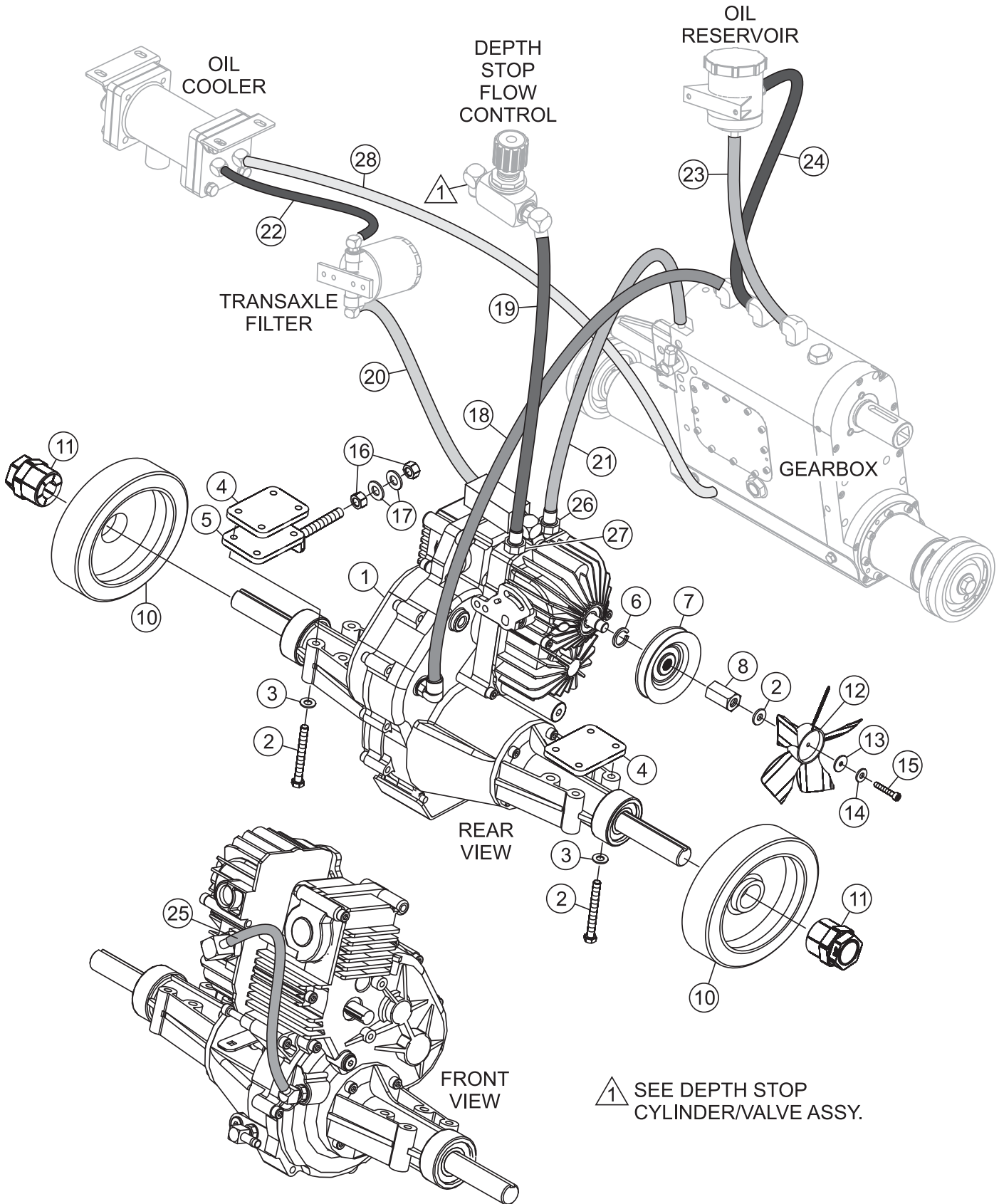
BATTERY ASSY.



BATTERY ASSY

NO.	PART NO.	PART NAME	QTY.	REMARKS
1	120265	PLATFORM, CONCRETE SAW BATTERY, WA	1	
2	12832	SNUBBING WASHER	4	
3	575001	RUBBER MOUNT ASSY	4	
4	1665	SCREW, HHC 3/8-16 X 2	4	
5	10133	NUT, NYLOC 3/8-16	6	
6	125051	BATTERY RETAINER CLIP W/A 6057 & 6457	1	
7	915109	SCREW, HHC 3/8-16X1-1/2 GR8YZ	1	
8	933242	WASHER, FLAT SAE 3/8 GRD 9 YZ	1	
9	206011	BATTERY RUBBER PAD	2	
10	10136	WASHER, FLAT SAE 3/8	8	
11	404006	BATTERY	1	
12	35037	CABLE ASSY, BATTERY POS (+) TO STARTER (+)	1	
13	35032	CABLE ASSY, ENGINE GROUND	1	
14	35033	CABLE ASSY, BATT. TO LIFT PUMP SOLENOID	1	
15	35036	CABLE ASSY, LIFT PUMP SOL. TO LIFT PUMP POS (+)	1	
16	35035	CABLE ASSY, BATTERY TO LIFT PUMP NEG (-)	1	
17	405060	TERMINAL, POSITIVE BATTERY, MARINE	1	
18	405061	TERMINAL, NEGATIVE BATTERY, MARINE	1	
19	915101	SCREW, HHC 3/8-16 X 1/2 GRD8	2	
20	940692	SCREW, HHC M10-1.5 X 20 MM	1	

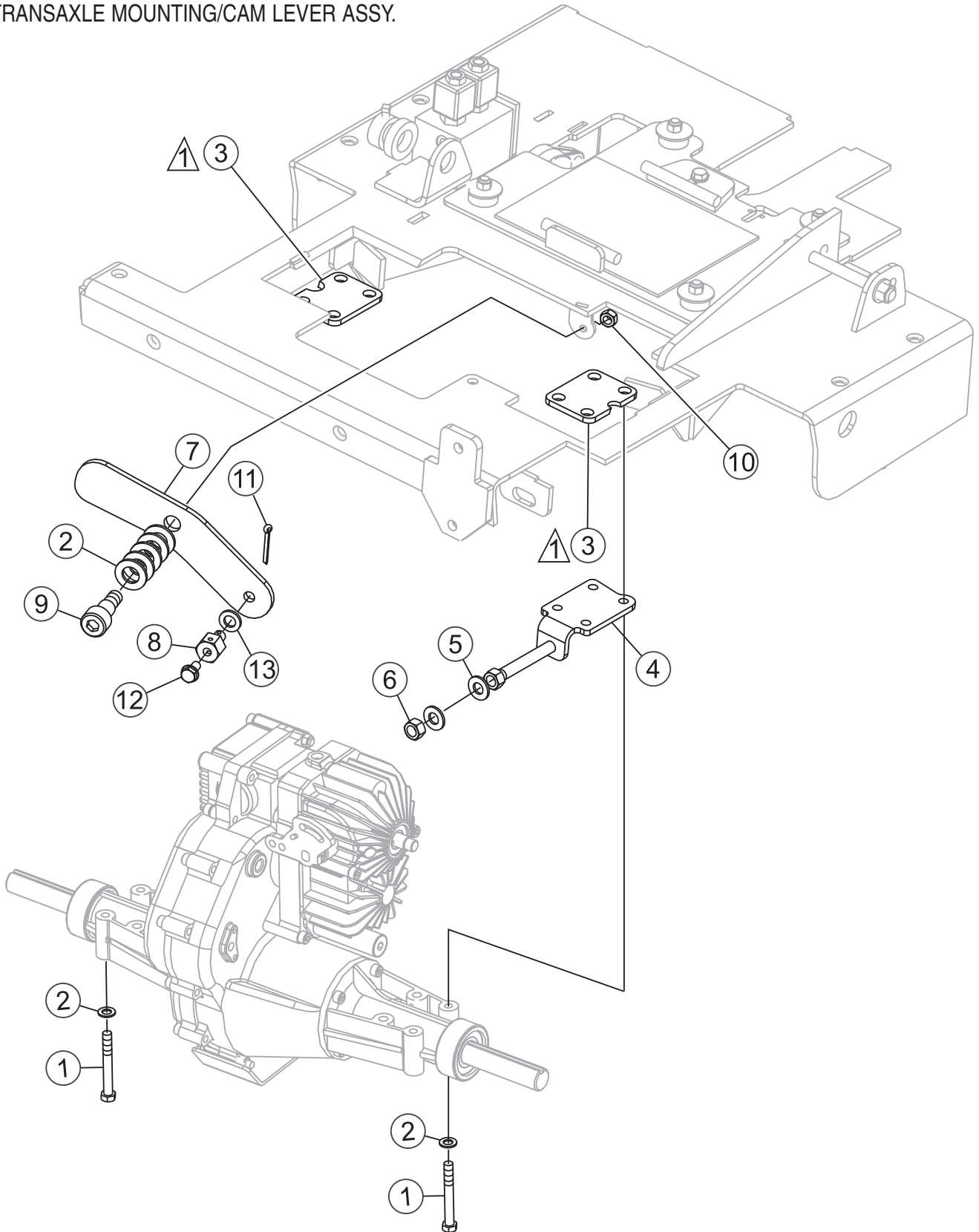
DRIVE ASSY.



<u>NO.</u>	<u>PART NO.</u>	<u>PART NAME</u>	<u>QTY.</u>	<u>REMARKS</u>
1	263003	TRANSAXLE	1	
2	06501-028	SCREW, HHC 3/8-16 X 3-1/2 RCC130H	8	
3	933242	3/8 SAE FLAT WASHER YZ9	9	
4	120078	BACKING PLATE, TRANSAXLE	2	
5	125040	ALIGNMENT ADJ BRACKET	1	
6	25623	CIRCLIP, RETAINER	1	
7	540033	PULLEY, A SECTION		
		4.125 X 18 TOOTH SPLINE	1	
8	583064	STAND-OFF 7/8 HEX	1	
10	35326	WHEEL, 12X3X2 NEOPRENE TREAD	2	
11	582038	BUSHING, 1" TRANSTORQUE KEYLESS	2	
12	384001	6-1/2" 5 BLADE FAN	1	
13	933201	3/16 FENDER WASHER	1	
14	TBD	8 SAE FLAT WASHER	1	
15	923118	SCREW, SHC 8-32X1 NP	1	
16	968011	NUT, HEX FINISH 1/2-13	1	
17	933244	WASHER, FLAT SAE 3/8 GRD 9 YZ	2	
18	25966	HOSE, 61" #6 LP	1 TRANSAXLE (REAR) TO BLADESHAFT (TOP)
19	25971	HOSE, 24.2" #4 HP	1 TRANSAXLE (TOP) TO WATER FLOW (RIGHT)
20	25956	HOSE, 8" #8 LP	1 TRANSAXLE (TOP) TO TRANS. FILTER (BOTTOM)
21	25973	HOSE, 65.7" #4 HP	1 TRANSAXLE (TOP) TO BLADESHAFT (REAR)
22	25955	HOSE, 17" #8 LP	1 TRANS. FILTER (TOP) TO OIL COOLER (RIGHT)
23	25964	HOSE, 73.9" #6 LP	1 BLADESHAFT (TOP) TO OIL RESERVOIR (BOTTOM)
24	25964	HYDRAULIC HOSE	1 BLADESHAFT (TOP) TO OIL RESERVOIR (REAR)
25	25976	HOSE, 18.5" 1/2 ID PUSHLOCK 250 PSI ..	1 TRANSAXLE (FRONT) TO TRANSAXLE (FRONT)
26	25718	FITTING, ORIFICE 4MJ-6MO X .020	1	
27	367470	FITTING, STR 4MJ - 6MO	1	
28	25957	HOSE, 78.4" #8 LP	1 OIL COOLER (RIGHT) TO BLADESHAFT (REAR)

TRANSAXLE MOUNTING/CAM LEVER ASSY.

TRANSAXLE MOUNTING/CAM LEVER ASSY.



 ENSURE NOTCHES FACE OUTBOARD.

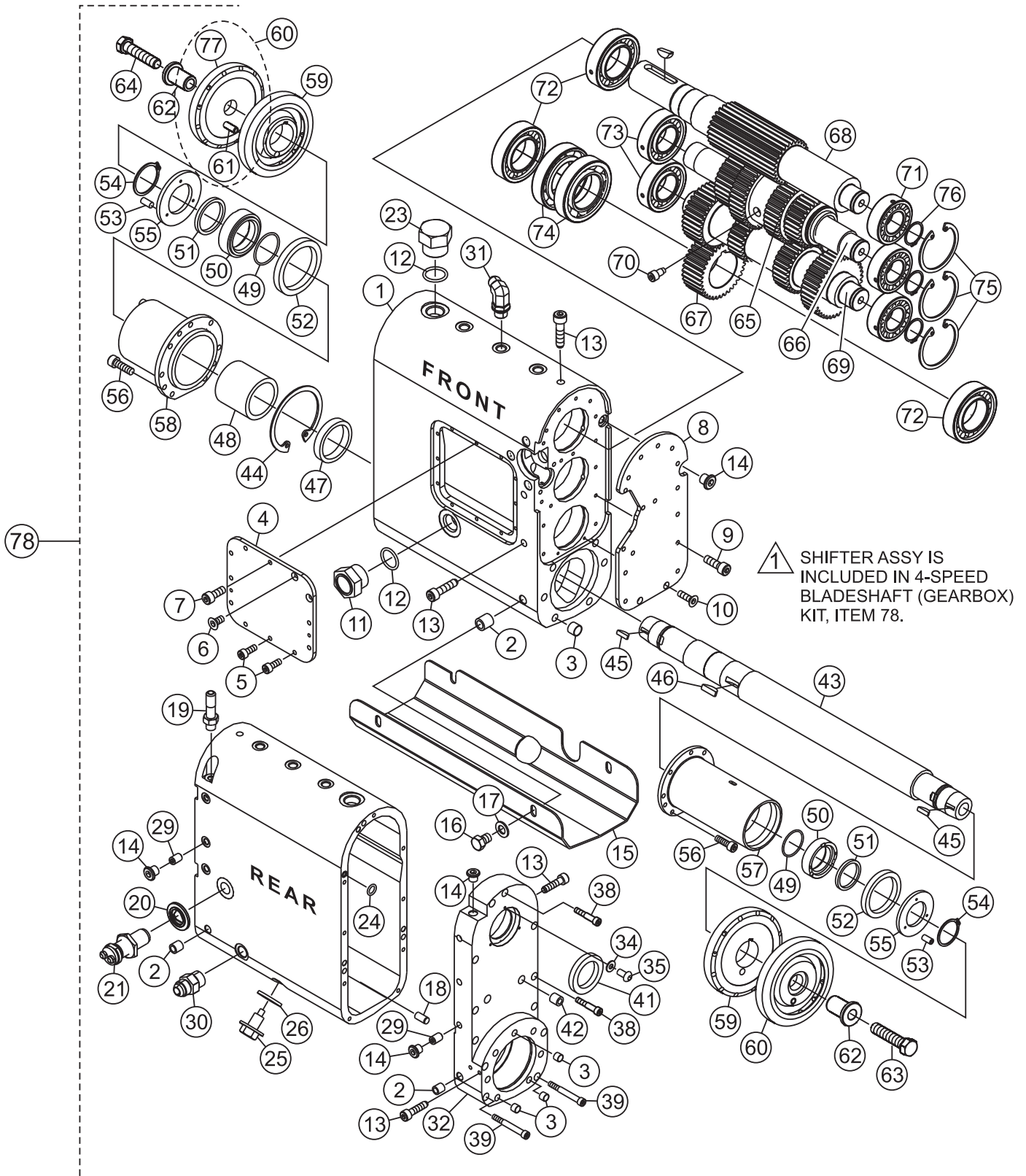
TRANSAXLE MOUNTING/CAM LEVER ASSY.

TRANSAXLE MOUNTING/CAM LEVER ASSY.

<u>NO.</u>	<u>PART NO.</u>	<u>PART NAME</u>	<u>QTY.</u>	<u>REMARKS</u>
1	06501-028	SCREW, HHC 3/8-16 X 3-1/2 RCC130H	8	
2	933242	WASHER, FLAT SAE 3/8 GRD 9 YZ	13	
3	120078	TRANSAXLE BACKING PLATE ASSY, WA	2	
4	125040	ALIGNMENT ADJUSTING BRACKET, WA	1	
5	933244	WASHER, FLAT SAE 1/2 GRD 9 YZ	2	
6	968011	NUT, HEX FINISH 1/2-13	2	
7	448007	CAM LEVER	1	
8	584028	SWIVEL, CABLE	1	
9	926327	3/8 X 1/2 SHOULDER BOLT	1	
10	5283	NUT, NYLOC 5/16-18	1	
11	965012	PIN, COTTER 1/16X1/2 PLTD	1	
12	923113	SCREW, SHC 8-32X3/8 GRD 8	1	
13	TBD	WASHER	1	

4-SPEED BLADESHAFT (GEARBOX) ASSY.

GEARBOX ASSY.



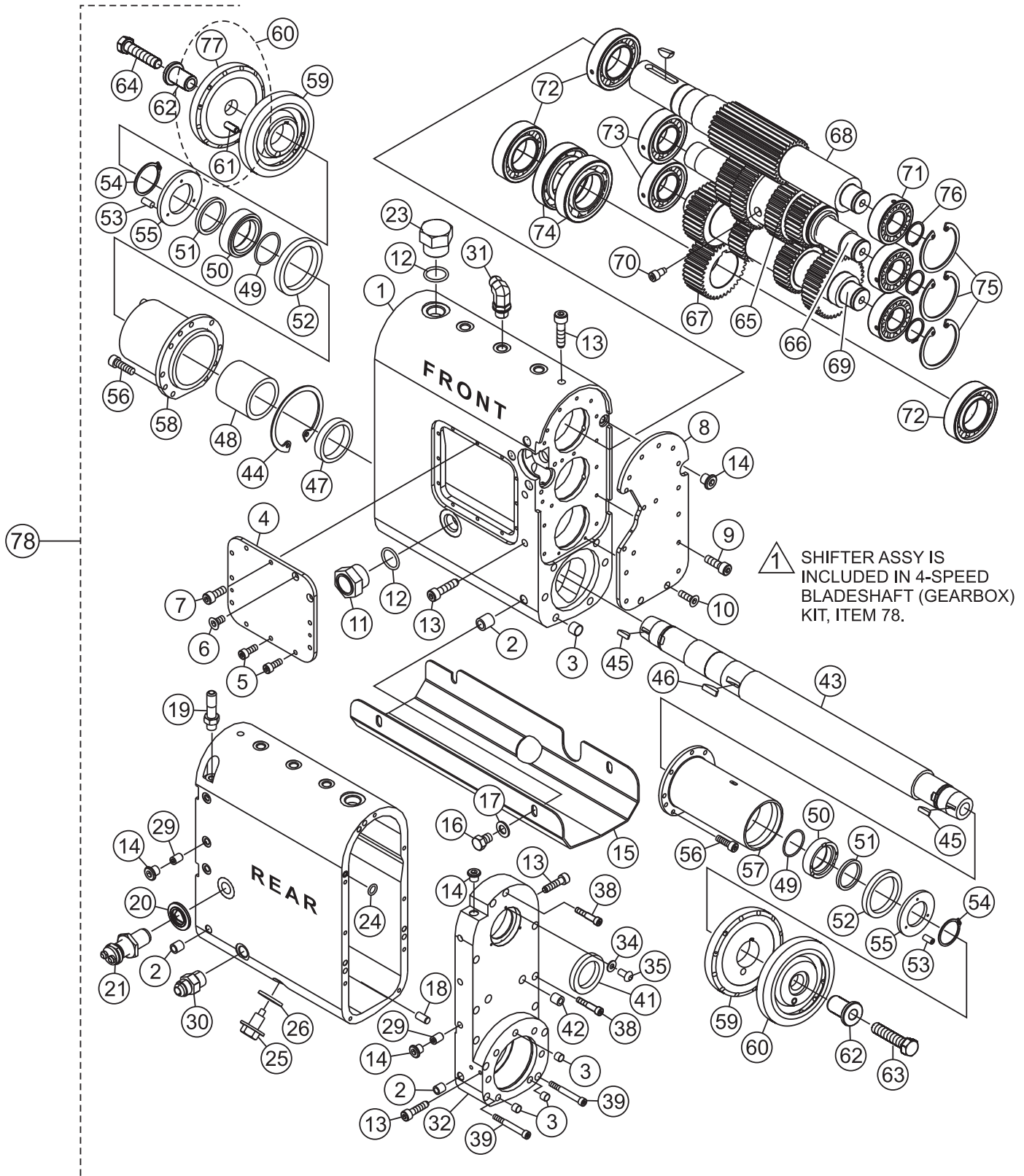
4-SPEED BLADESHAFT (GEARBOX) ASSY.

GEARBOX ASSY.

<u>NO.</u>	<u>PART NO.</u>	<u>PART NAME</u>	<u>QTY.</u>	<u>REMARKS</u>
1*	220100-1	HOUSING, MAIN CASE	1	
2*	960857	THREADED INSERT 3/8-16 X 9/16-12	1	
3*	960855	THREADED INSERT 5/16-18 X 1/2-13	13	
4*	220100-3	FRONT ACCESS COVER	1	
5*	923202	1/4-20 X 5/8 SHCS	9	
6*	2460	SCREW, 1/4-20 X 1/2" FHSC	2	
7*	923201	1/4-20 X 1/2 SHCS	1	
8*	220100-4	COVER PLATE	1	
9*	923203	1/4-20 X 3/4 SHCS	13	
10*	924200	10-24 X 5/8 FHSCS	2	
11*	584019	SIGHT GLASS	1	
12*	25666	O-RING	2	
13*	584030	ANTI-ROTATING BOLT	8	
14*	368697	4-7/16-20 SAE-HHP	8	
15*	202000	BLADESHAFT SKID PLATE	1	
16*	915101	3X8-16 X 1/2 HCS YZ8	4	
17*	933242	3/8 SAE FLAT WASHER YZ9	4	
18*	926942	DOWEL PIN 3/8 X 3/4	3	
19*	421001	TACH SIGNAL GENERATOR	1	
20*	25695	WASHER, SEALED 3/4"	1	
21*	306013	FILTER, HIGH PRESSURE INLINE	1	
23*	368657	FITTING, PLUG 12MO	1	
24*	578011	O-RING	1	
25*	583026	1/2-20 MAGNETIC DRAIN PLUG	1	
26*	577009	DRAIN PLUG GASKET	1	
29*	367015-013	1/16 HH PLUG .013 ORIFICE	6	
30*	11749	FITTING, STR 8MJ-8MO	1	
31*	11722	FITTING, 90 6MJ-6MO	3	
32*	220100-5	HOUSING, END COVER	1	
34*	2203	WASHER, FLAT, #10	3	
35*	924029	SCREW, BHSCS 10-24 X 3/8	3	
38*	923260	5/16-18 X 1-3/4 SHCS	5	
39*	923264	5/16-18 X 2-3/4 SHCS	4	
41*	480005	SEAL	1	
42*	960157	7/16-14 THREADED INSERT	2	
43*	162004	BLADESHAFT, 6400 SERIES 4 SPEED	1	
44*	576011	SNAP RING	1	
45*	241003	WOODRUFF KEY #807	2	
46*	969340	KEY 3/8 X 1.375	1	
47*	583019	GEAR SPACER	1	
48*	583069	SPACER, BEARNG 6400 SERIES 4 SPEED	1	
49*	578135	O- RING	2	
50*	485003	SEAL SLEEVE	2	
51*	480007	SEAL CR 19599	2	
52*	480006	SEAL	2	
53*	576006	1/4-20 X 1/2 SET SCREW	2	
54*	10138	EXTERNAL SNAP RING	6	
55*	486001	THRUST WASHER	2	

4-SPEED BLADESHAFT (GEARBOX) ASSY.

GEARBOX ASSY. (CONTINUED)



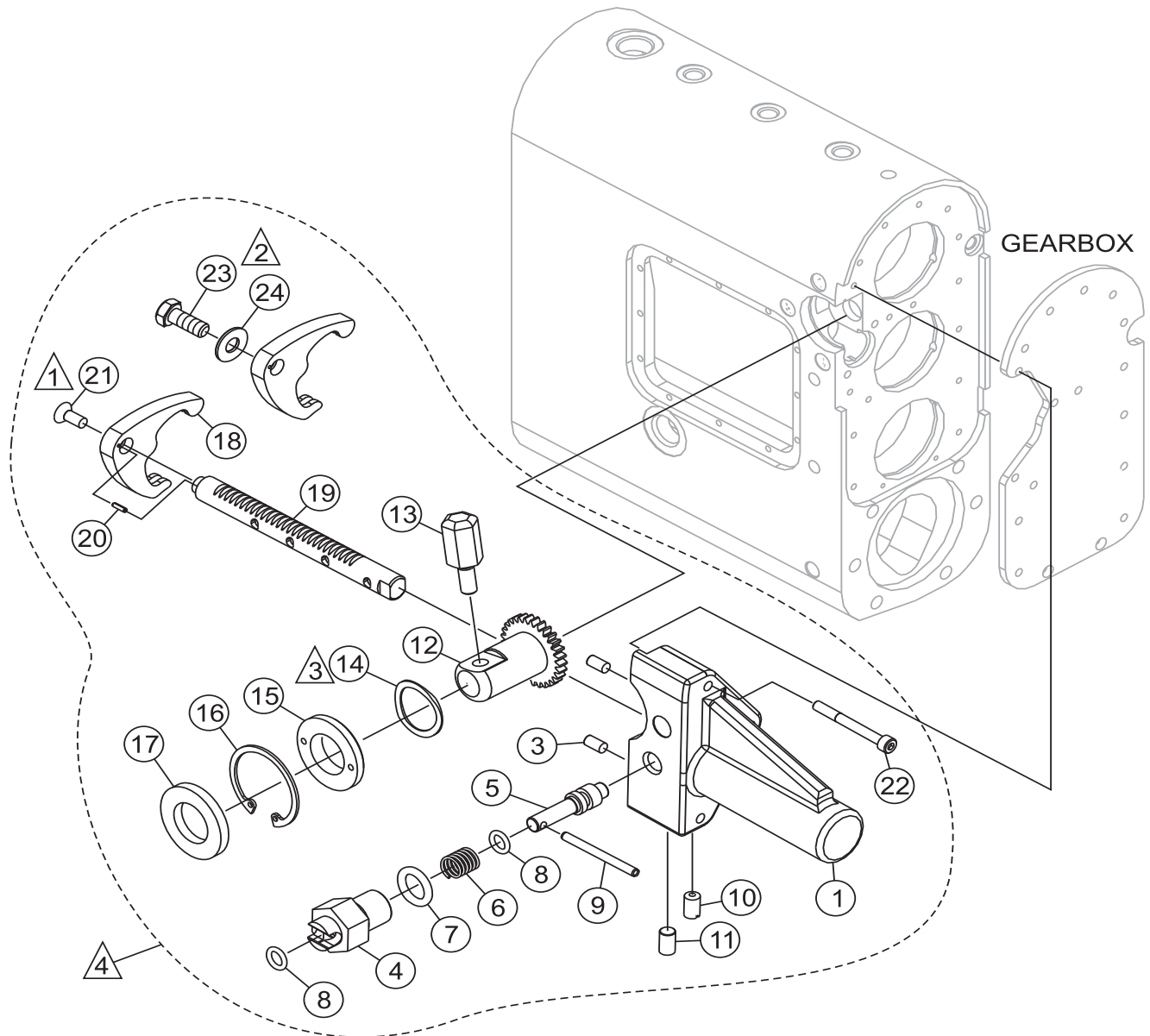
4-SPEED BLADESHAFT (GEARBOX) ASSY.

GEARBOX ASSY. (CONTINUED)

<u>NO.</u>	<u>PART NO.</u>	<u>PART NAME</u>	<u>QTY.</u>	<u>REMARKS</u>
56*	923255	SCREW SHC 5-16 X 18 X 1	13	
57*	25693	HOUSING, LONG SIDE, 6400 SERIES	1	
58*	168006	HOUSING, SHORT SIDE, 6400 SERIES	1	
59*	180004	COLLAR, INNER BLADE SHAFT	2	
60*	180003	COLLAR ASSY, OUTER BLADE SHAFT	2	INCLUDES ITEMS W/#
61#*	926790	PIN, DOWEL 3/8 X 1-3/4	2	
62*	582012	BUSHING, QUICK DISCONNECT	2	
63*	915316	SCREW, HHC 5/8-11X3 LH GR8	1	
64*	915315	SCREW, HHC 5/8-11X3 GR8	1	
65*	241001	SLIDER GEAR	1	
66*	241001-1	SLIDER SHAFT	1	
67*	241003	OUTPUT GEAR	1	
68*	241000	INPUT GEAR	1	
69*	241002	MAIN SHAFT	1	
70*	241001-2	BOLT, SLIDER	1	
71*	460014	BEARING 22207-RHR	3	
72*	460011	BEARING	3	
73*	460004	BEARING	2	
74*	460015	BEARING	2	
75*	576009	EXTERNAL SNAP RING	3	
76*	576008	INTERNAL SNAP RING	3	
77#*	180003-1	COLLAR, OUTER BLADE SHAFT	1	
78	25694	4-SPEED BLADESHAFT (GEARBOX) ASSY	1	INCLUDES ITEMS W/*

SHIFTER ASSY.

SHIFTER ASSY.



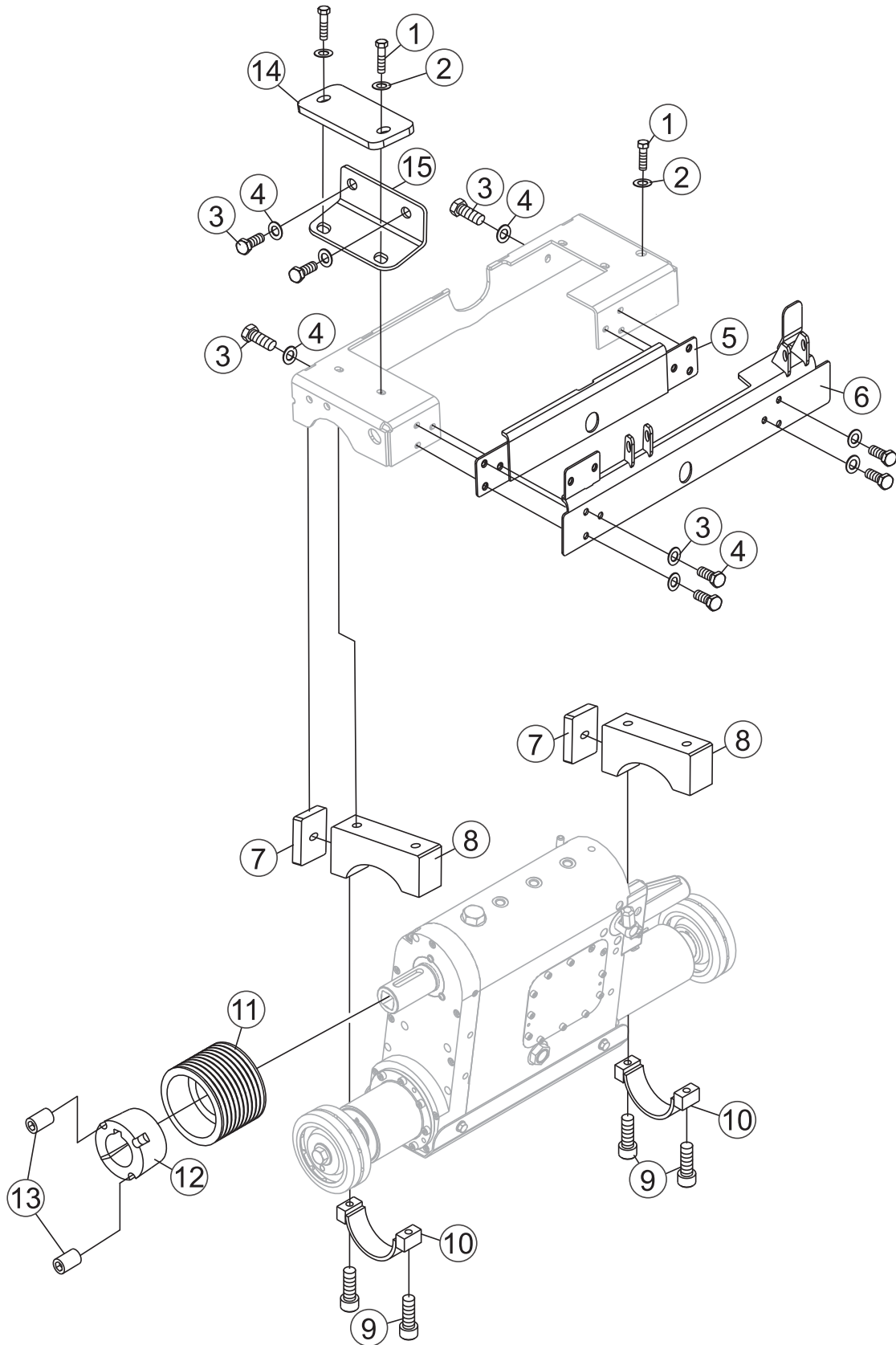
- 1 ITEM 21: S/N 1-84
- 2 ITEMS 23 AND 24: S/N 85 AND ABOVE
- 3 ITEM 14: USE TWO WAVE DISC SPRINGS FOR S/N 85 AND ABOVE
- 4 SHIFTER ASSY INCLUDED WITH 4-SPEED BLADESHAFT (GEARBOX) ASSY

SHIFTER ASSY.

<u>NO.</u>	<u>PART NO.</u>	<u>PART NAME</u>	<u>QTY.</u>	<u>REMARKS</u>
1	220100-2	SHIFT COVER HOUSING	1	S/N 1-84
1	25705	SHIFT COVER HOUSING	1	S/N 85 AND ABOVE
3	926919	DOWEL PIN 1/4 X 3/4	2	S/N 1-84 ONLY
4	584018-1	DETENT BODY	1	
5	584018-2	DETENT PLUNGER	1	
6	565001	PLUNGER SPRING	1	
7	578014	O-RING AS-014	1	
8	578010	O-RING	2	
9	974312	PIN, SPRING 0.125 X 1.5	1	
10	584017	BALL PLUNGER	1	
11	925584	SET SCREW .375 X 0.625	1	
12	241004-1	SHIFT PINION	1	
13	560022	PINION SHIFT HANDLE	1	
14	565000	WAVE DISC SPRING	1	S/N 1-84
14	565000	WAVE DISC SPRING	2	S/N 85 AND ABOVE
15	583035	SHIFTER SPACER	1	
16	576010	SNAP RING 2.0 X 0.0693	1	
17	480004	SEAL	1	
18	241005-2	SHIFT FORK	1	S/N 1-84
18	35341	SHIFT FORK	1	S/N 85 AND ABOVE
19	241005-1	SHIFT ROD	1	S/N 1-84
19	35342	SHIFT ROD	1	S/N 85 AND ABOVE
20	964053	SPRING PIN 3/32 X 3/8	1	S/N 1-84
20	35353	SPRING PIN 1/8 X 3/8	1	S/N 85 AND ABOVE
21	924254	SCREW, FHSCS 5/16-18 X 3/4	1	S/N 1-84 ONLY
22	923212	SCREW, SHCS 1/4-20 X 2-1/4	3	
23	915103	SCREW, HCS 3 X 8-16 X 3/4	1	S/N 85 AND ABOVE ONLY
24	933242	WASHER, 3/8 SAE FLAT WASHER	1	S/N 85 AND ABOVE ONLY

GEARBOX MOUNTING ASSY.

GEARBOX MOUNTING ASSY.



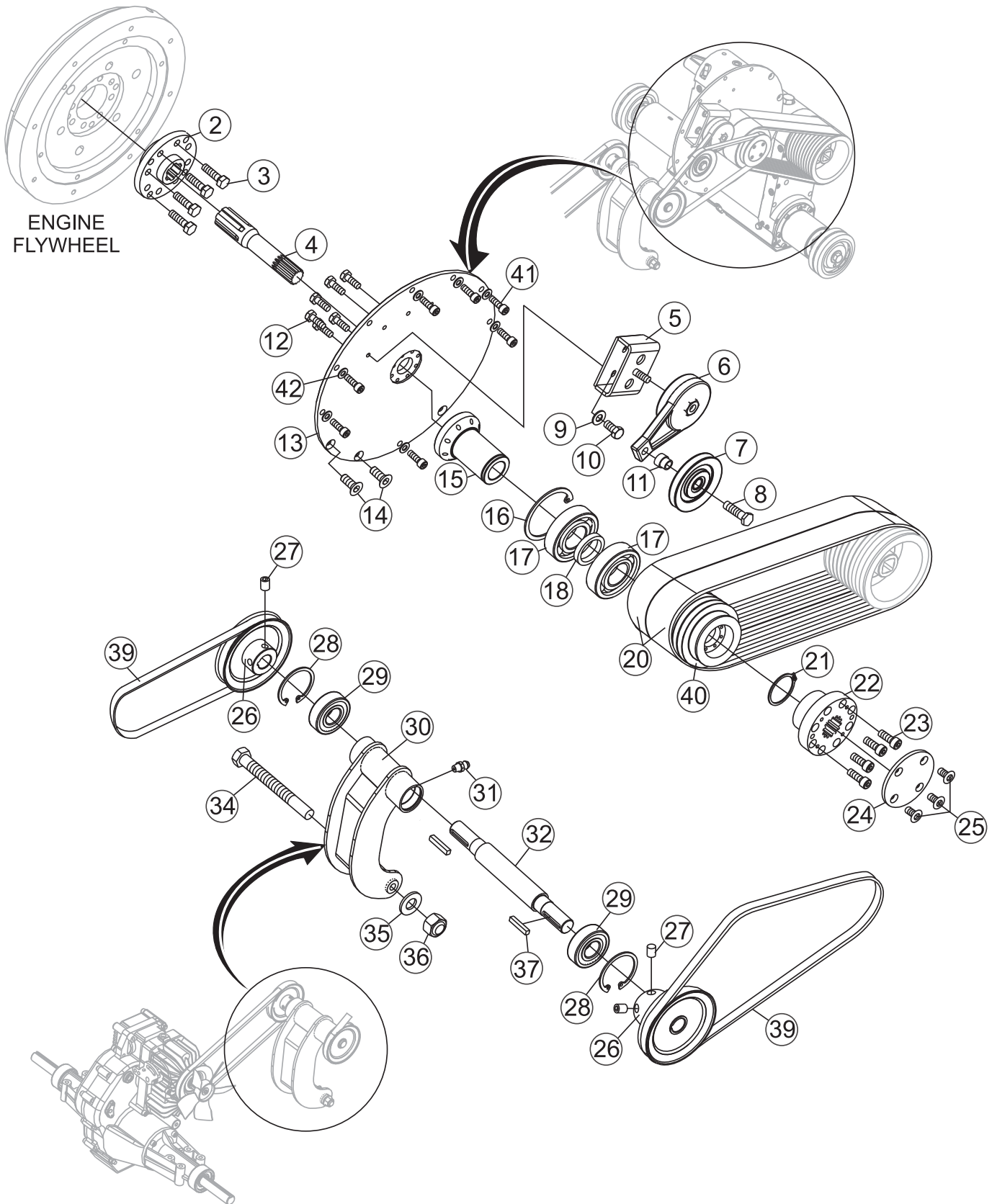
GEARBOX MOUNTING ASSY.

GEARBOX MOUNTING ASSY.

<u>NO</u>	<u>PART NO</u>	<u>PART NAME</u>	<u>QTY.</u>	<u>REMARK</u>
1	06502012	SCREW, HHC 7/16- 14 X 1- 1/2	1	
2	933243	7/16 SAEFLAT WASHER YZ9	3	
3	16530	SCREW, HHC 7/16-14 X 1	2	
4	1023	SCREW, HHC 3/8-16 X 1 1/4 GR 5	6	
5	100022	REMOVABLE FRONT SECTION, WA	1	
6	25757	FRONT PLATE- POINTER MOUNT, WA	1	
7	583095	GEARBOX MOUNT SPACER	2	
8	120225	GEARBOX MOUNTING BLOCK ASSY.	1	
9	923357	SCREW, SHC 7/16-14 X 1-1/4,NP	4	
10	120226	GEARBOX MOUNTING BLOCK W/PIN, ASSY.	1	
11	540043	PULLEY, 6.0 10G 3V	1	
12	460016	BUSHING, 17/8- 2517 SERIES TAPER LOCK	1	
13	TBD	PLATE	TBD	
14	583094	GEARBOX SUPPORT PLATE WASHER	1	
15	125053	GEARBOX SUPPORT, RIGHT SIDE	1	

PULLEY AND V-BELT ASSY.

PULLEY AND V-BELT ASSY.

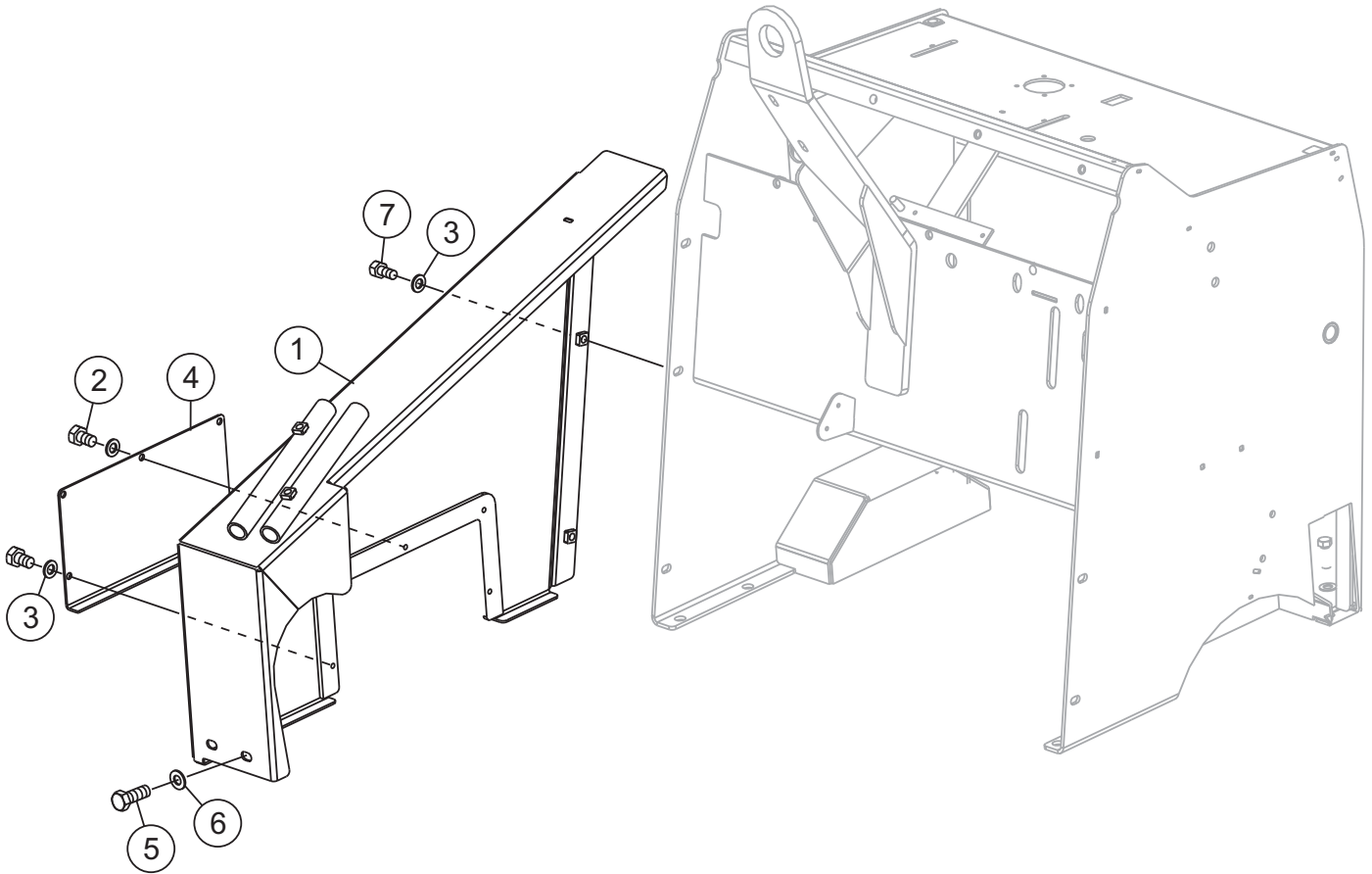


PULLEY AND V-BELT ASSY.

PULLEY AND V-BELT ASSY.

<u>NO</u>	<u>PART NO</u>	<u>PART NAME</u>	<u>QTY.</u>	<u>REMARKS</u>
2	544005	FLANGE, SPLINED DRIVE	1	
3	938422	SCREW, HHC M10-1.0 X 50MM 10.9 NP	8	
4	544006	SHAFT, SPLINED DRIVE	1	
5	120232	BELT TENSIONER MOUNT	1	
6	448000	TENSIONER IDLER ARM RT2001	1	
7	540003	4 INCH A SECTION SHEAVE	1	
8	25716	SCREW, MODIFIED 1/2-13 X 1-3/4 GR5	1	
9	933242	WASHER, 3/8 FLAT SAE P YZ	2	
10	915103	SCREW, HHC 3/8-16 X 3/4 GR8 YZ	2	
11	544001	SHOULDER ADAPTER SB0005	1	
12	915003	SCREW, HHC 1/4-20 X 3/4 GRD 8	8	
13	261002-1	ADAPTOR PLATE	1	
14	939978	SCREW, FHSC 10-1.5 X 25 MM NP	3	
15	544007	BEARING SUPPORT	1	
16	576015	SNAP RING, INTERNAL	1	
17	460024	BEARING	2	
18	583088	SPACER, BEARING 10 MM	1	
20	520009	V-BELT, 3VX 450 5 G POWERBAND	2	
21	576014	SNAP RING, EXTERNAL	1	
22	544008	SPLINED DRIVEN FLANGE	1	
23	923203	SCREW, SHC 1/4-20 X 3/4	8	
24	544004	PTO CAP	1	
25	924200	SCREW, FHSC 10-24 X 5/8 NP	4	
26	540030	PULLEY, A SECTION 4.125 X 3/4"	3	
27	925437	SCREW, SHS, CP 5/16-18 X 3/8	4	
28	576003	SNAP RING	2	
29	460021	BEARING, ROLLER 6204-2RS	2	
30	120281	JACKSHAFT PIVOT ARM, W/A	1	
31	960102	FITTING, GREASE ZERK 1/8 MP	1	
32	167004	JACKSHAFT	1	
34	10307	SCREW, HHC 1/2-13 X 5	1	
35	933244	WASHER, FLAT SAE 1/2 9 YZ	1	
36	10176	NUT, NYLOC 1/2-13	1	
37	584029	KEY, 3/16	2	
38	521006	BELT, AX 35	1	
39	521013	BELT, AX 37	1	
40	540056	PULLEY, 5.1 10G 3V X 4.0 1A	1	
41	940694	SCREW, HHC M10-1.5X30MM FT 10.9 NP	8	
42	933242	WASHER, FLAT SAE 3/8 GRD 9 YZ	8	

BELT GUARD

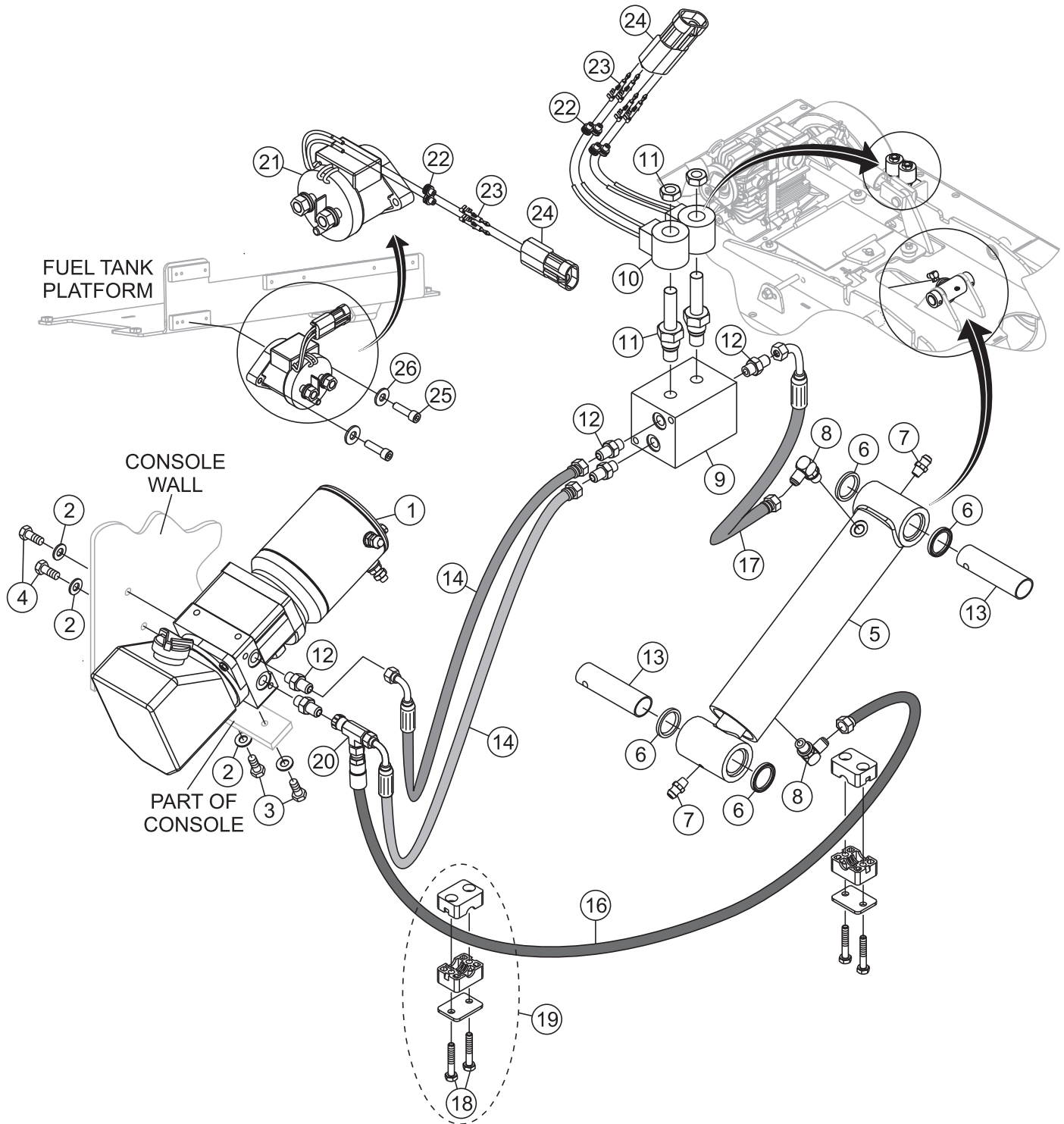


BELT GUARD

<u>NO.</u>	<u>PART NO.</u>	<u>PART NAME</u>	<u>QTY.</u>	<u>REMARKS</u>
1	25756	BELT GUARD, WA	1	
2	915051	5/16-18 X 1/2 HCS YZ8	5	
3	933241	5/16 SAE FLAT WASHER YZ9	8	
4	204021-1	BELT ADJUSTMENT ACCESS COVER	1	
5	915105	3/8-16 X 1 HCS YZ8	2	
6	933242	3/8 FLAT WASHER YZ9	2	
7	0655	SCREW, HHC 5/16-18 X 3/4	3	

LIFT PUMP CIRCUIT ASSY.

LIFT PUMP CIRCUIT ASSY.



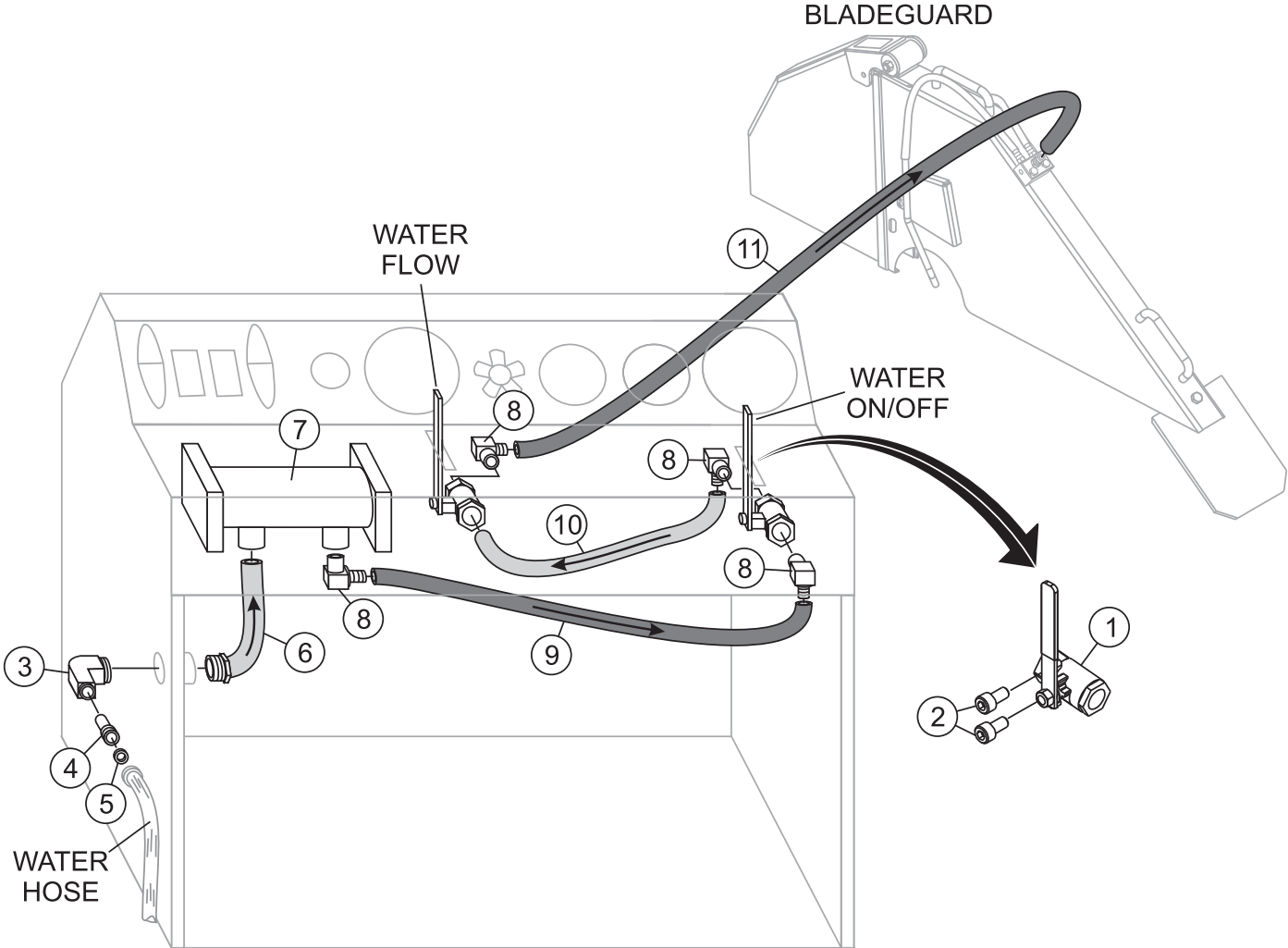
LIFT PUMP CIRCUIT ASSY.

LIFT PUMP CIRCUIT ASSY.

<u>NO</u>	<u>PART NO</u>	<u>PART NAME</u>	<u>QTY.</u>	<u>REMARK</u>
1	340009	LIFT PUMP ASSY	1	
2	933241	5/16 SAE FLAT WASHER GRD 9 YZ	4	
3	4683	SCREW, HHC 5/16-18 X 5/8	2	
4	06500-007	SCREW, HHC 5/16-18 X 7/8	2	
5	447009	LIFT CYLINDER	1	
6	480003	SEAL, OIL CR-9815	4	
7	2621	FITTING, GREASE ZERK STR 1/4-28	2	
8	368817	FITTING, 90 4MJ-4MO	2	
9	444008	MANIFOLD, 3 SPEED RAISE-LOWER	1	
10	446029	COIL, 12VDC-CARTRIDGE VALVE	2	
11	446010	CARTRIDGE VALVE	2	
12	21095	FITTING, STR 4MJ-4MO	5	
13	169006	PIN, CYLINDER	2	
14	25968	HOSE, 16.7" #4 HP	2	
16	25967	HOSE, 58.6" #4 HP	1	
17	25970	HOSE, 21.2" #4 HP	1	
18*	5277	HHC 1/4-20 X 1-1/2	4	
19	570050	CLAMP ASSY, #4 SINGLE HOSE	2	INCLUDES ITEMS W/*
20	366690	FITTING, TEE RUN 4MJ-4MJ-4FJ	1	
21	25628	SOLENOID, LIFT PUMP	1	
22	12171	SEAL, WEATHERPACK 16-18 GA GREEN	6	
23	12179	TERMINAL, WEATHERPACK MALE 14-16 GA	6	
24	405066	CONNECTOR, WEATHERPACK MALE	2	
25	923186	SCREW, SHC 12-24 X 3/4	2	
26	2203	WASHER, FLAT #10	2	

WATER SYSTEM ASSY.

WATER SYSTEM ASSY.



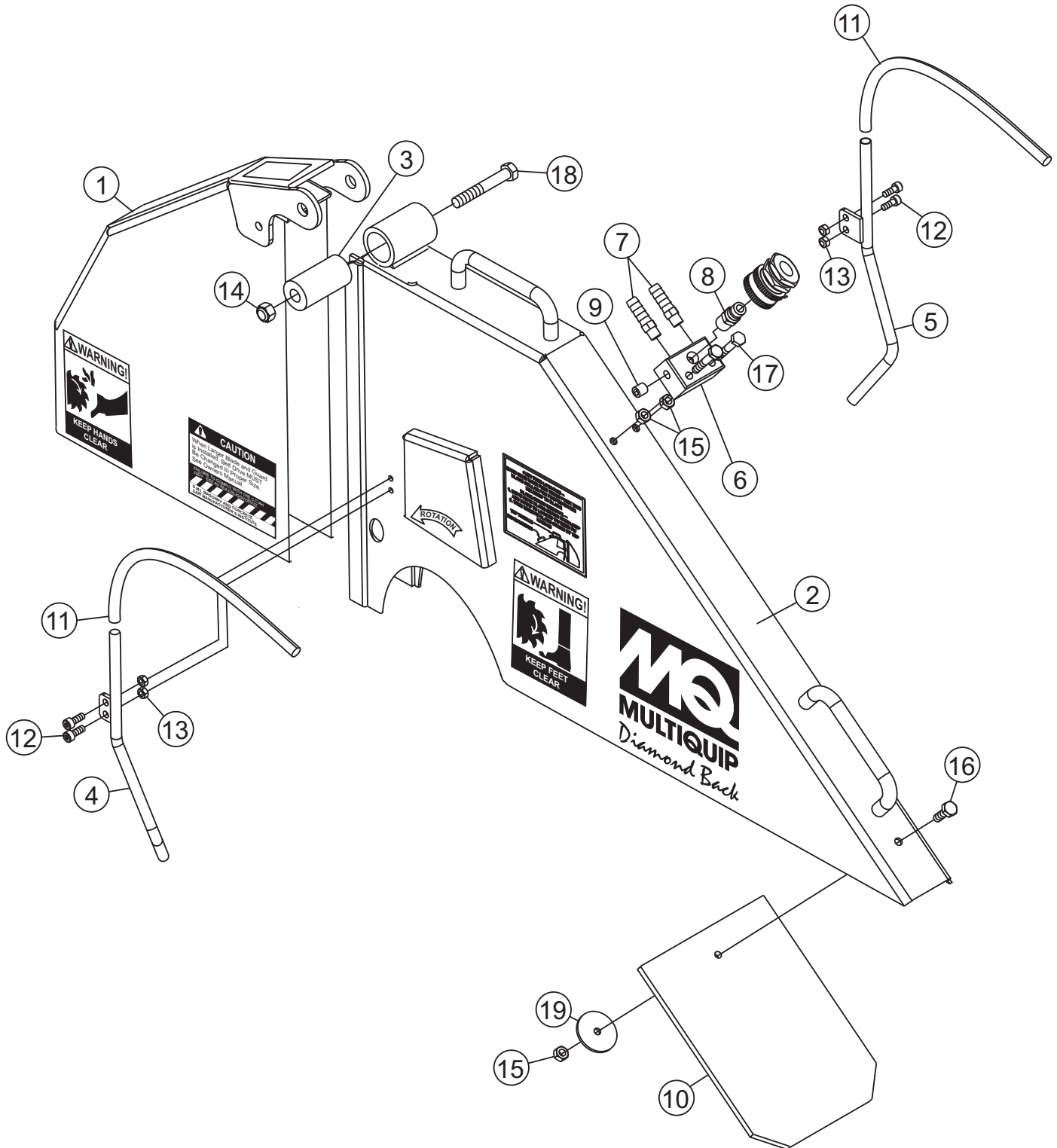
WATER SYSTEM ASSY.

WATER SYSTEM ASSY.

<u>NO</u>	<u>PART NO</u>	<u>PART NAME</u>	<u>QTY.</u>	<u>REMARKS</u>
1	446004	VALVE, BALL, 1/2 BRASS	2	
2	923143	SCREW, SHC 10-24 x 3/8"	4	
3	26496	FITTING, 90 1/2MP- 1/2FP	1	
4	25827	FITTING, BRASS (F) 3/4 GHT SWIVEL 1/2 MNPT	1	
5	25828	GASKET, GARDEN HOSE SWIVEL	1	
6	25960	HOSE, 7.5", #8 LP	1 WATER HOSE TO OIL COOLER
7	382001	OIL COOLER	1	
8	25931	FITTING, 90 8BARB-1/2 MP (4390-8-8)	4	
9	25962	HOSE, 19.5", #8 LP	1 OIL COOLER TO WATER ON/OFF
10	25961	HOSE, 17.2", #8 LP	1 WATER ON/OFF TO WATER FLOW
11	25963	HOSE, 127.8", #8 LP	1 WATER FLOW TO BLADEGUARD

BLADEGUARD (16-36") ASSY.

BLADEGUARD (16-36") ASSY.



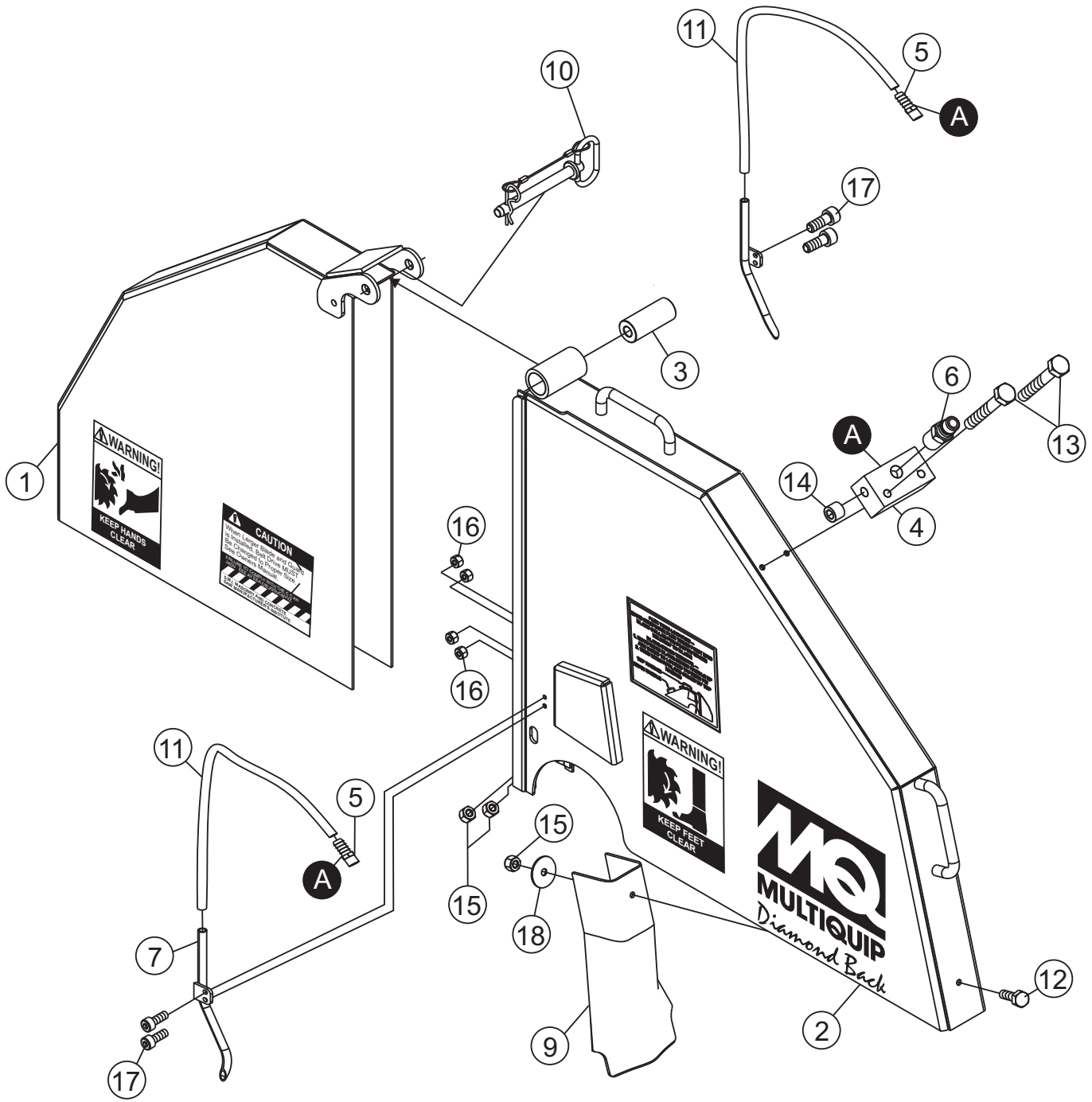
BLADE GUARD (16-36") ASSY.

BLADEGUARD (16-36") ASSY.

<u>NO.</u>	<u>PART NO.</u>	<u>PART NAME</u>	<u>QTY.</u>	<u>REMARKS</u>
1	200003	BLADEGUARD W/A, FRONT HALF	1	16"
1	200008	BLADEGUARD W/A, FRONT HALF	1	20"
1	200009	BLADEGUARD W/A, FRONT HALF	1	26"
1	200011	BLADEGUARD W/A, FRONT HALF	1	30"
1	200013	BLADEGUARD W/A, FRONT HALF	1	36"
2	200004	BLADEGUARD W/A, REAR HALF	1	16"
2	200008	BLADEGUARD W/A, REAR HALF	1	20"
2	200010	BLADEGUARD W/A, REAR HALF	1	26"
2	200012	BLADEGUARD W/A, REAR HALF	1	30"
2	200014	BLADEGUARD W/A, REAR HALF	1	36"
3	582040	BUSHING, BLADEGUARD HINGE, DELRIN	1	16", 20", 26"
3	582039	BUSHING, BLADEGUARD HINGE, DELRIN	1	30", 36"
4	362002	RIGHT SIDE WATERING TUBE	1	
5	362003	LEFT SIDE WATERING TUBE	1	
6	445002	MANIFOLD, WATER, SMALL	1	16", 20", 26"
6	445003	MANIFOLD, WATER, LARGE	1	30", 36"
7	370456	FITTING, BRASS 6BARB-1/4MP	2	
8	320010	FITTING,QD MALE SNAPTITE PHN4,1/4MP	2	
9	2113	FITTING, PLUG 1/8MP HEX SKT HD	1	
10	200019	FLAP, MUD	1	
11	576006	HOSE, WATER #6LP	2	
12	923144	SCREW, SHC 10-24 X 1/2	4	
13	1618	NUT, NYLOC 10-24	1	
14	10176	NUT, NYLOC 1/2- 13	1	
15	10024	NUT, NYLOC 1/4- 20	3	
16	0131 A	SCREW, HHC 1/4- 20 X 3/4	1	
17	26250	SCREW, HHC 1/4- 20 X 1 3/4	2	
18	06503-026	SCREW, HHC 1/2-13 X 3-1/4	1	16", 20", 26"
18	06503-030	SCREW, HHC 1/2-13 X 3-3/4	1	30", 36"
19	10930	WASHER, FENDER, 1/4 X 1-1/4	1	

BLADEGUARD (42") ASSY.

BLADEGUARD (42") ASSY.



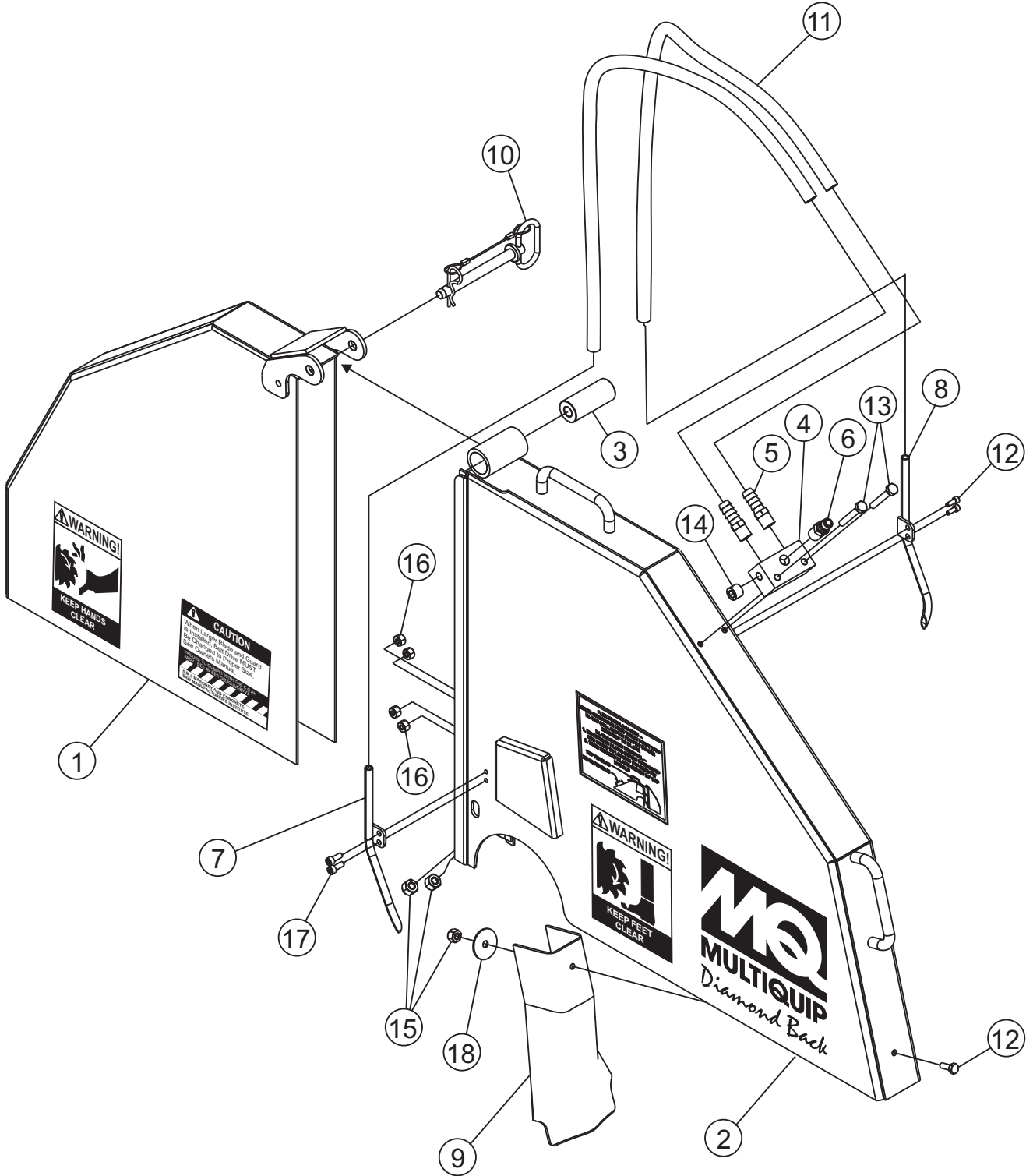
BLADEGUARD (42") ASSY.

BLADEGUARD (42") ASSY.

<u>NO.</u>	<u>PART NO.</u>	<u>PART NAME</u>	<u>QTY.</u>	<u>REMARKS</u>
1	200021	BLADEGUARD, FRONT HALF	1	
2	200022	BLADEGUARD, REAR HALF	1	
3	582039	BUSHING, BLADEGUARD HINGE, DELRIN	1	
4	445003	MANIFOLD, WATER, LARGE	1	
5	370456	FITTING, BRASS 6BARB-1/4MP	2	
6	320010	FITTING, QD MALE SNAPTITE PHN4 1/4MP	1	
7	362003	LEFT SIDE WATERING TUBE	1	
8	362002	RIGHT SIDE WATERING TUBE	1	
9	200019	FLAP, MUD, BLADEGUARD	1	
10	584039	PIN, HINGE 4-1/2 W/RETAINING WIRE	1	
11	362009	HOSE, WATER # 6LP	2	
12	0131 A	SCREW, HHC 1/4-20 X 3/4	1	
13	26250	SCREW, HHC 1/4-20 X 1 3/4	2	
14	2113	FITTING, PLUG 1/8MP HEX SKT HD	1	
15	10024	NUT, NYLOC 1/4-20	3	
16	1618	NUT, NYLOC 10-24	4	
17	923144	SCREW, SHC 10-24 X 1/2	4	
18	10930	WASHER, FENDER, 1/4 X 1-1/4	1	

BLADEGUARD (48") ASSY.

BLADEGUARD (48") ASSY.



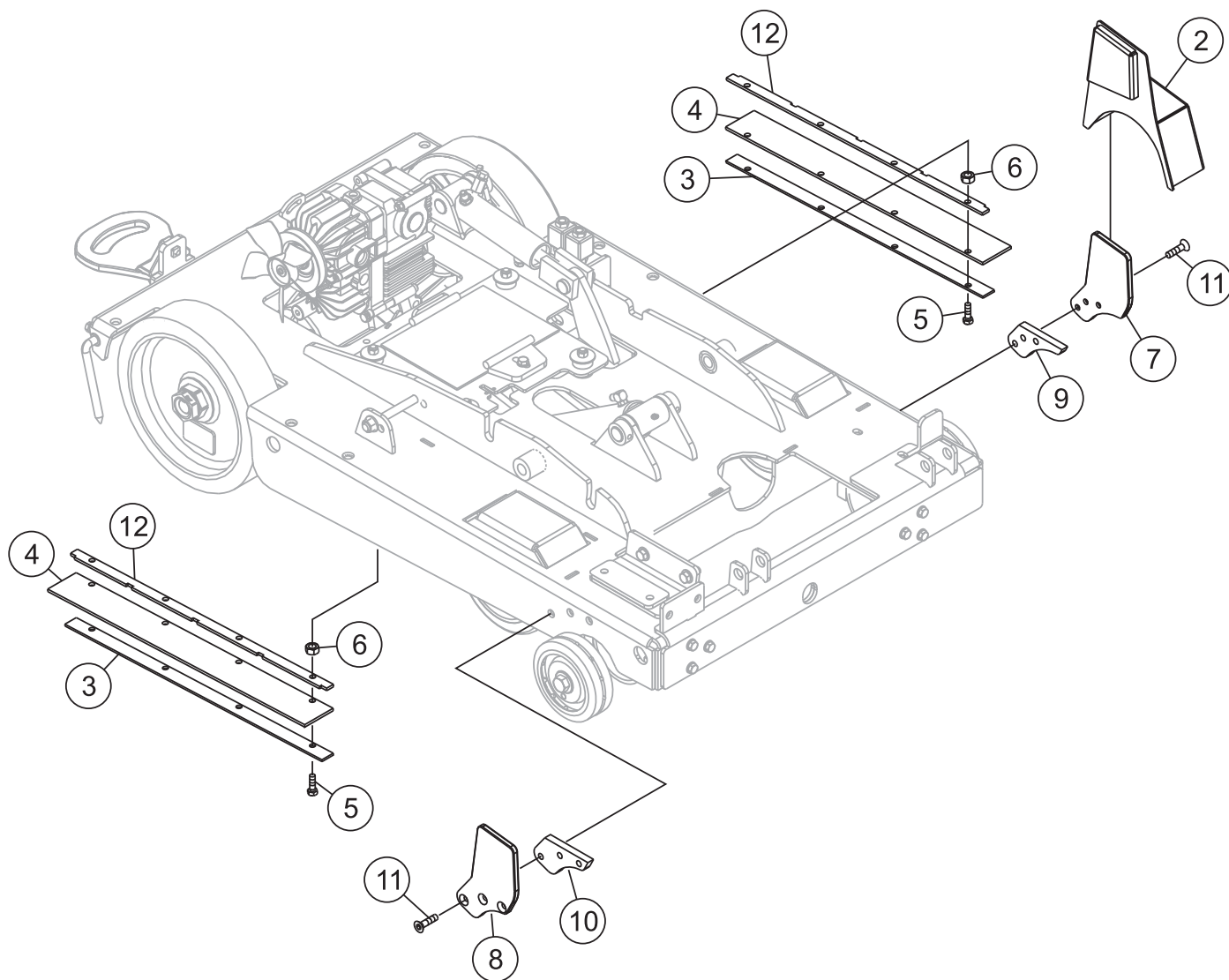
BLADEGUARD (48") ASSY.

BLADEGUARD (48") ASSY.

<u>NO.</u>	<u>PART NO.</u>	<u>PART NAME</u>	<u>QTY.</u>	<u>REMARKS</u>
1	200046	BLADEGUARD W/A, FRONT HALF	1	
2	200047	BLADEGUARD W/A, REAR HALF	1	
3	582039	BUSHING, BLADEGUARD HINGE, DELRIN	1	
7	445003	MANIFOLD, WATER, LARGE	1	
8	370456	FITTING, BRASS 6BARB-1/4MP	2	
4	320010	FITTING, QD MALE SNAPTITE PHN4 1/4MP	1	
9	362003	LEFT SIDE WATERING TUBE	1	
10	362002	RIGHT SIDE WATERING TUBE	1	
11	200019	FLAP, MUD, BLADEGUARD	1	
6	584039	PIN, HINGE 4-1/2 W/RETAINING WIRE	1	
5	362010	HOSE, WATER # 6LP	2	
16	0131 A	SCREW, HHC 1/4-20 X 3/4	1	
15	26250	SCREW, HHC 1/4-20 X 1 3/4	2	
17	2113	FITTING, PLUG 1/8MP HEX SKT HD	1	
13	10024	NUT, NYLOC 1/4-20	3	
12	1618	NUT, NYLOC 10-24	4	
18	923144	SCREW, SHC 10-24 X 1/2	4	
14	10930	WASHER, FENDER, 1/4 X 1-1/4	1	

BLADEGUARD MOUNT/WIPER ASSY.

BLADEGUARD MOUNT/WIPER ASSY.



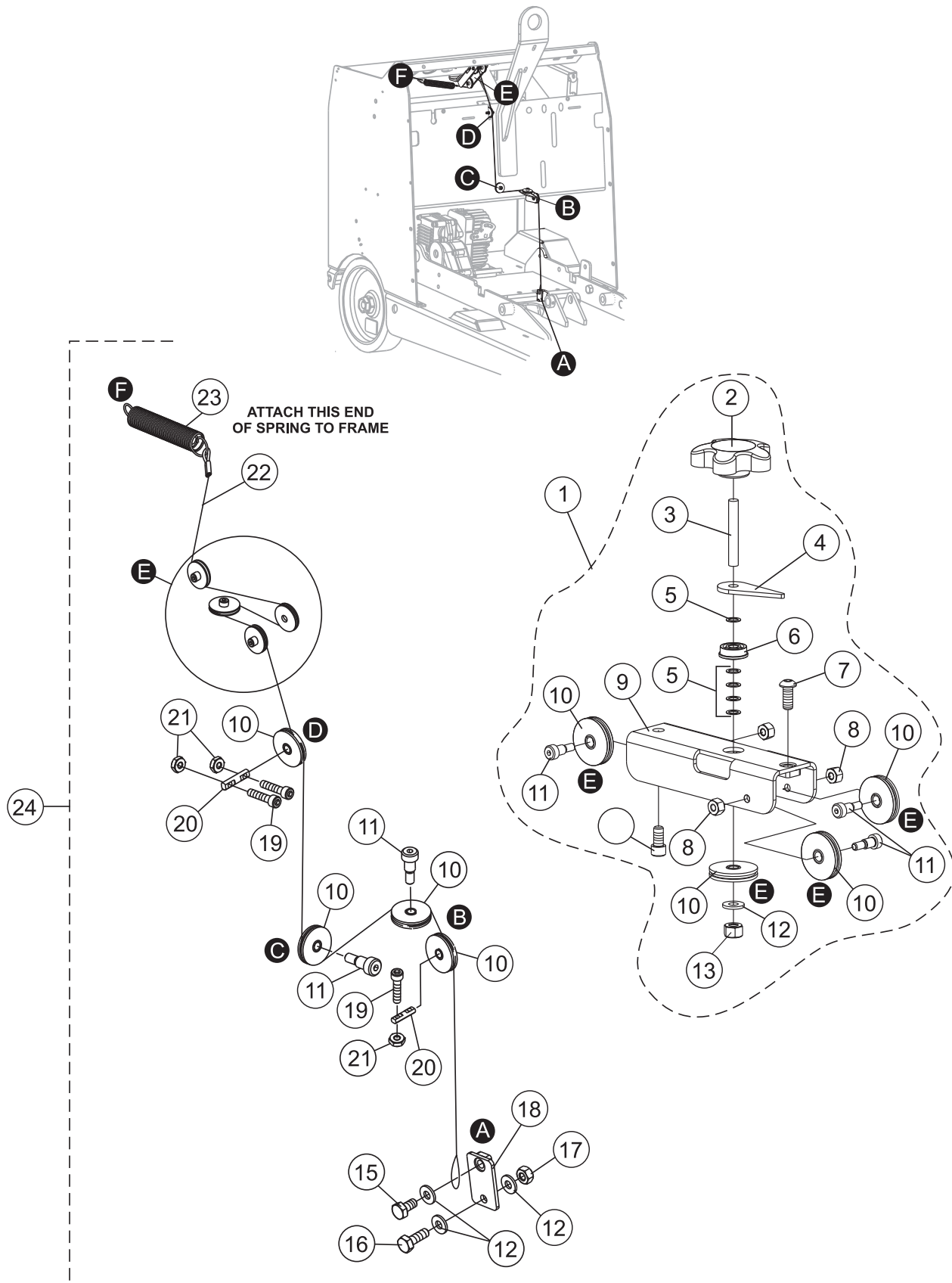
BLADEGUARD MOUNT/WIPER ASSY.

BLADEGUARD MOUNT/WIPER ASSY

<u>NO.</u>	<u>PART NO.</u>	<u>PART NAME</u>	<u>QTY.</u>	<u>REMARKS</u>
2	M200000	FLANGE GAURD, WA	1	
3	100019	BACKING STRIP	2	
4	206006	SLURRY GUARD FLAP	2	
5	202	SCREW, HHC 5/16-18 X 1 ZINC	8	
6	5283	NUT, NYLOC 5/16-18	8	
7	120090	LEFT BLADEGAURD MOUNT CLIP	1	
8	120092	RIGHT BLADEGAURD MOUNT CLIP	1	
9	120091	LEFT BLADE CLIP SPACER	1	
10	120093	RIGHT BLADE CLIP SPACER	1	
11	924288	3/8-16 X 1-1/2 SHCS	6	

DEPTH STOP METER/CABLE ASSY.

DEPTH STOP METER/CABLE ASSY.



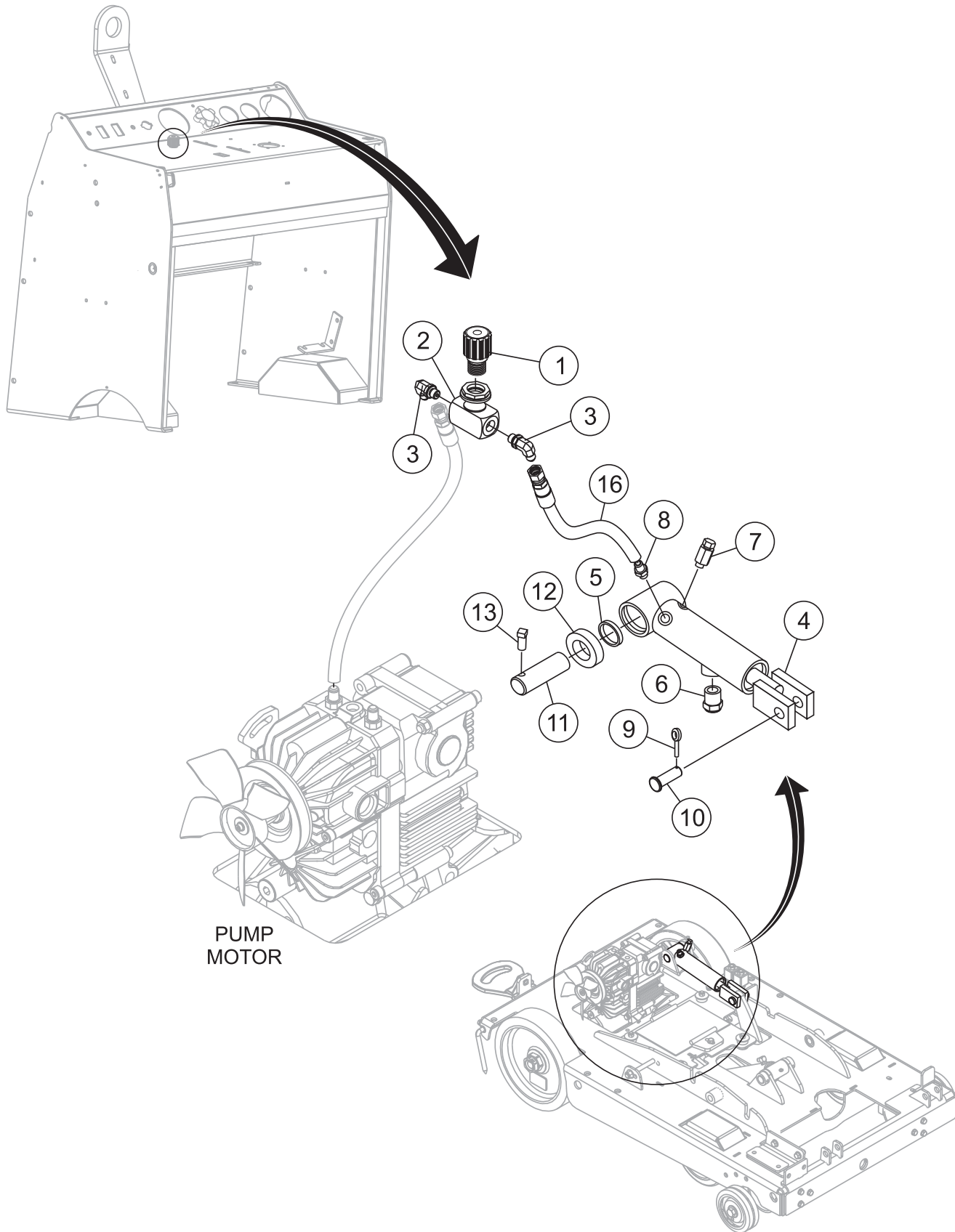
DEPTH STOP METER/CABLE ASSY.

DEPTH STOP METER/CABLE ASSY.

NO	PART NO	PART NAME	QTY.	REMARKS
1	25538	DEPTH METER ASSY.	1	INCLUDES ITEMS W/*
2*	560025	KNOB, SAW DEPTH INDICATOR	1	
3*	584025	STUD, 1/4-20X1 3/4" B7 NO PLATE	1	
4*	110031	POINTER, CONCRETE SAW DEPTH	1	
5*	583059	SHIM, 0.375 OD x 0.251 ID x 0.020 THICK	5	
6*	460019	FLANGE BEARING, 0.25 ID X 0.75 OD	1	
7*	973752	SCREW, BHSC, 1/4-20 x 5/8 SS	1	
8*	1618	NUT, NYLOC 10-24	3	
9*	125039	U-BRACKET W/A, SAW DEPTH INDICATOR	1	
10*	540011	PULLEY, CABLE 1.25 OD	8	
11*	926149	SCREW, SHDLR 1/4D X 5/16L , 10-24, SCKT HD	6	
12*	933240	WASHER, FLAT SAE 1/4 GRD 9 YZ	4	
13*	10024	NUT, NYLOC 1/4-20	1	
14*	923201	SCREW, SHC 1/4-20 x 1/2	1	
15%	0131 A	SCREW, HHC 1/4-20 X 3/4	1	
16%	1579	SCREW, HHC 1/4-20 x .5	1	
17%	949	NUT, HEX FINISH 1/4-20	1	
18%	120243	TAB W/A, DEPTH INDICATOR	1	
19%	923116	SCREW, SHC 8-32 x 3/4	3	
20%	160013	AXLE, INDICATOR SHEAVE	2	
21%	13287	NUT, NYLOC 8-32	3	
22%	440012	CABLE, DEPTH INDICATOR	1	
23%	565004	SPRING, EXTENSION, DEPTH INDICATOR	1	
24	25538	DEPTH METER CABLE ASSY.	1	INCLUDES ITEMS W/%

DEPTH STOP CYLINDER/VALVE ASSY.

DEPTH STOP CYLINDER/VALVE ASSY.



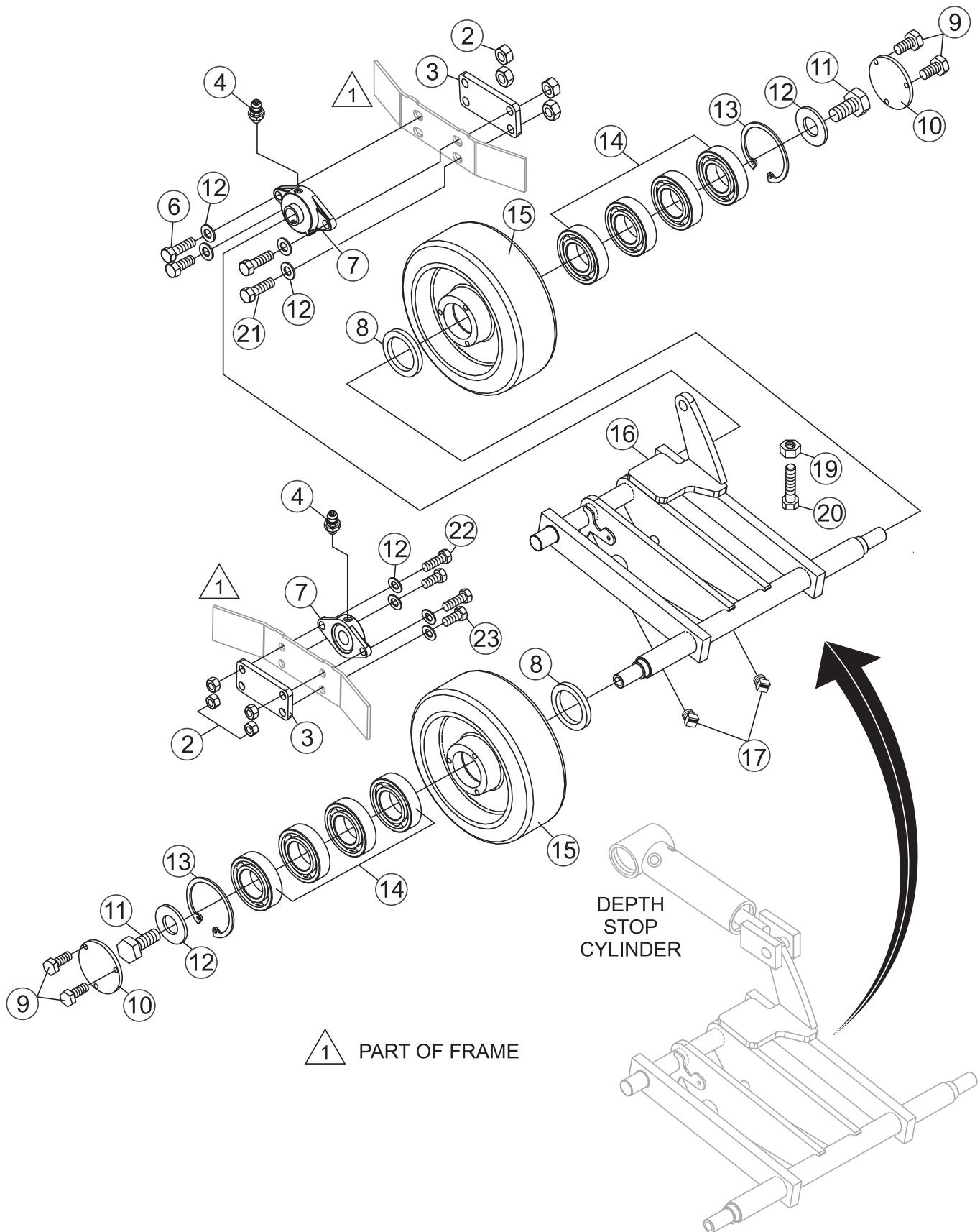
DEPTH STOP CYLINDER/VALVE ASSY.

DEPTH STOP CYLINDER/VALVE ASSY.

<u>NO.</u>	<u>PART NO.</u>	<u>PART NAME</u>	<u>QTY.</u>	<u>REMARKS</u>
1	446024	VALVE, DEPTH STOP FLOW CONTROL	1	INCLUDES ITEMS W/*
2*	446024-1	PANEL MOUNT KIT, VALVE	1	
3	368817	FITTING, 90 4MJ-4MO	2	
4	447008	DEPTH STOP CYLINDER	1	
5	480003	SEAL, OIL CR-9815	2	
6	25675	FITTING, BRASS BREATHER VENT 1/4" NPT	1	
7	25632	FITTING, BLEEDER VALVE	1	
8	21095	FITTING, STR 4MJ-4MO	1	
9	965079	PIN, COTTER 1/8 X 1-3/4	1	
10	966166	PIN, CLEVIS 3/4 X 2	1	
11	169004	DEPTH STOP CYLINDER PIN	1	
12	583061	DEPTH STOP CYLINDER SPACER	1	
13	926064	5/16-24 X 5/8" SQUARE HEAD SET SCREW	1	
14	25718	FITTING, ORIFICE 4MJ-6MO X .020	1	
16	25971	HOSE ASSY, 24.2" #4 HP	1	

FRONT AXLE ASSY.

FRONT AXLE ASSY.



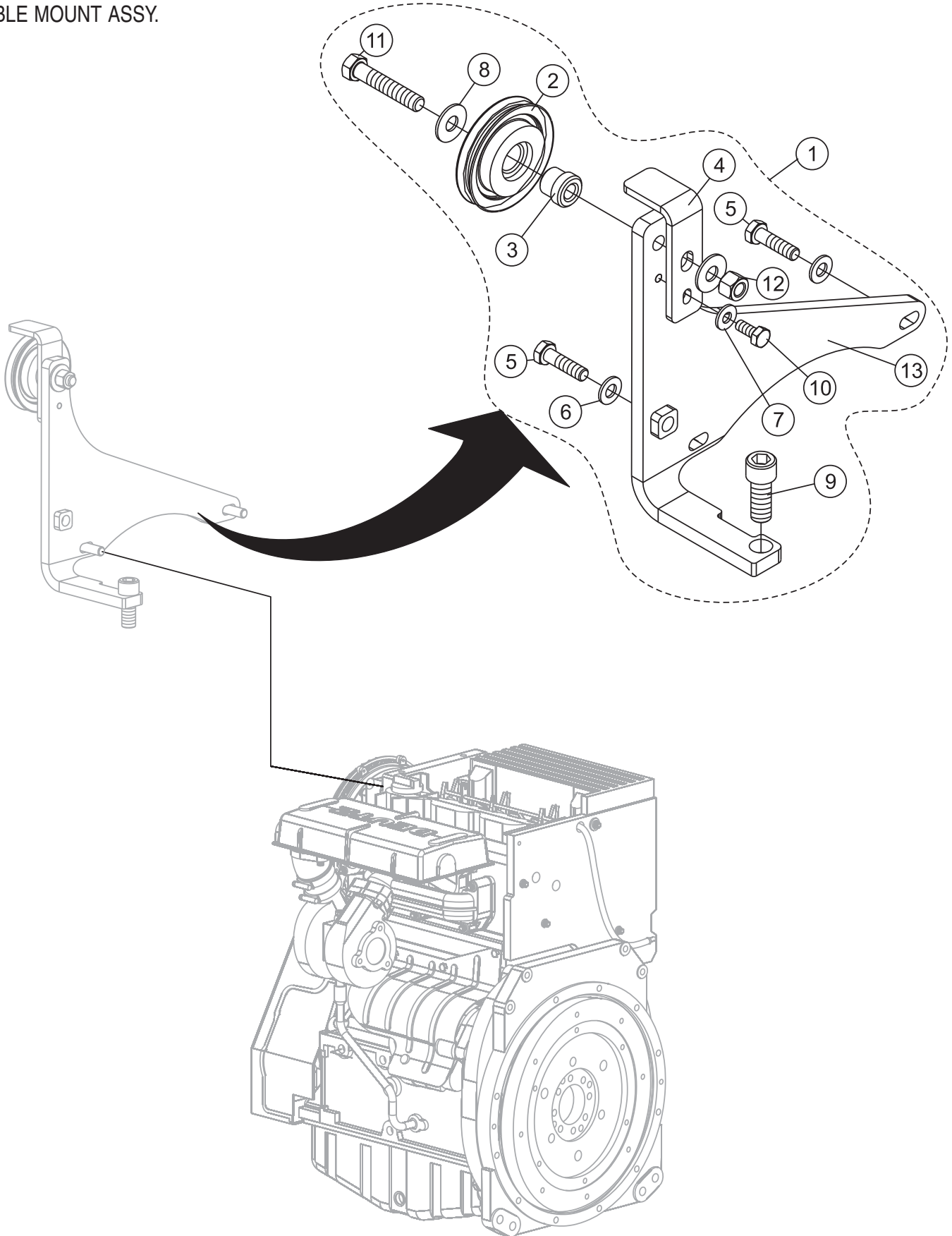
FRONT AXLE ASSY.

FRONT AXLE ASSY.

<u>NO.</u>	<u>PART NO.</u>	<u>PART NAME</u>	<u>QTY.</u>	<u>REMARKS</u>
2	4702	NUT, HEX FINISH 5/8-11	8	
3	583096	BEARING BACKING PLATE	2	
4	960105	1/4-28 GREASE ZERK	1	
6	912311	5/8-11 X 2 HCS	2	
7	25599	BEARING, FRONT AXLE PIVOT	2	
8	485002	SEAL	2	
9	915001	1/4-20 X 1/2 HCS YZ8	6	
10	508005	8 X 3 WHEEL COVER	2	
11	06505008	5/8-11 X 1 HCS YZ8	2	
12	933246	5/8 SAE FLAT WASHER YZ9	11	
13	576003	SNAP RING, HO-185	2	
14	460002	BEARING	8	
15	500006	8 X 3 WHEEL	2	
16	35107	FRONT AXLE 6457-48", WA	1	
17	926064	SCREW, SQHS, CP 5/16-24 X 5/8	2	
19	968011	NUT, HEX FINISH 1/2-13	2	
20	19400	SCREW, HHC 1/2-13 X 2 FULL THREAD	2	
21	21376	SCREW, 5/8-11 X 1-1/2 HCS YZ8	4	
22	915311	5/8-11 X 2 HCS YZ8	2	
23	915309	SCREW, 5/8-11 X 1-1/2 HCS YZ8	2	

CABLE MOUNT ASSY.

CABLE MOUNT ASSY.



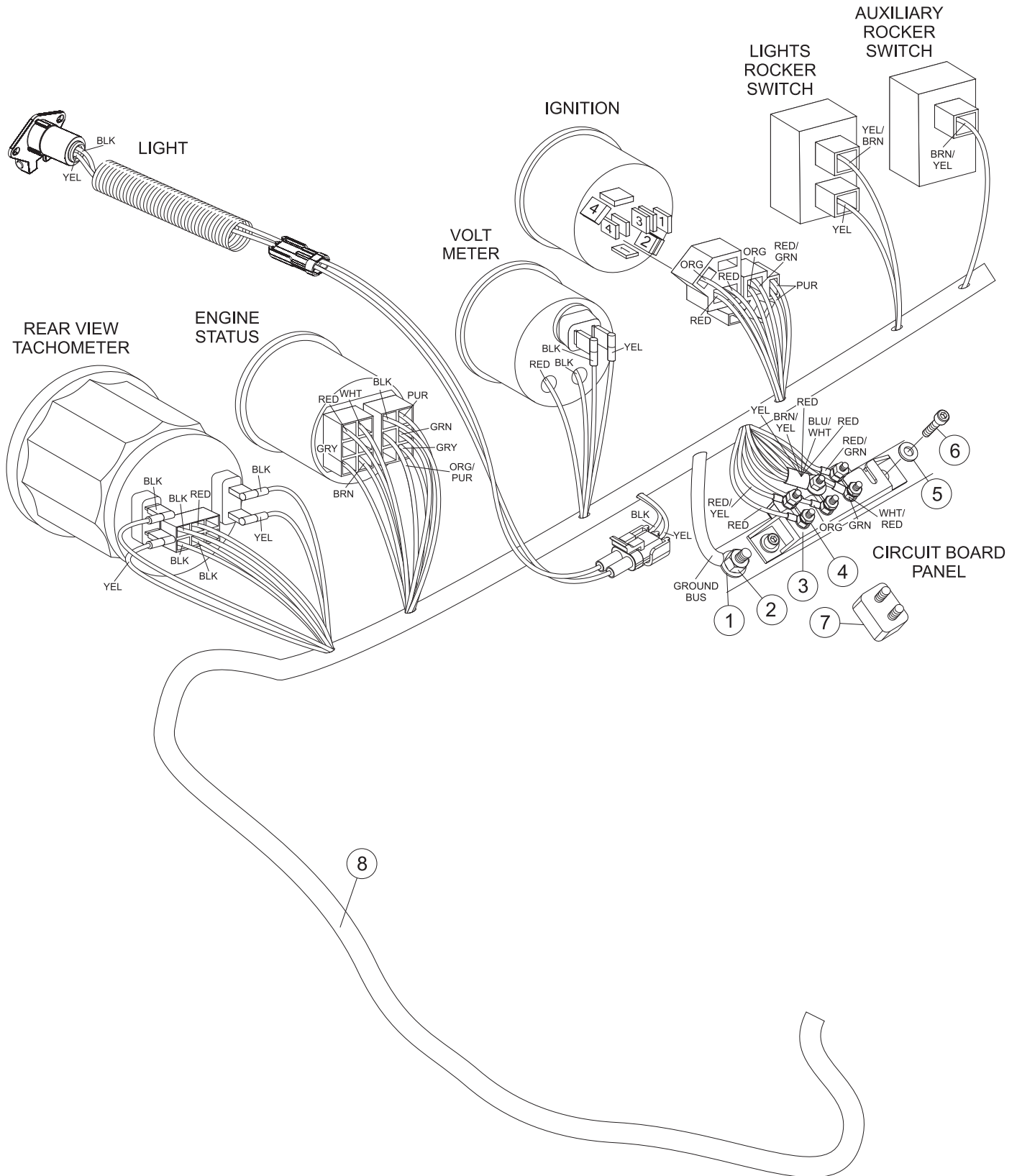
CABLE MOUNT ASSY.

CABLE MOUNT ASSY.

<u>NO.</u>	<u>PART NO.</u>	<u>PART NAME</u>	<u>QTY.</u>	<u>REMARKS</u>
1	35203	CABLE MOUNT GROUP,6000-6400	1	
2	540039	PULLY, POINTER ROPE	1	
3	544002	SHOULDER, ADAPTER	1	
4	125043-3	RETAINER, SAW POINTER CABLE	1	
5	940674	SCREW, HHC M8-1.25 X 30MM GRADE 10.9	2	
6	933241	WASHER, FLAT SAE 5/16 GRD 9 YZ	2	
7	0948	WASHER, FLAT SAE 1/4	1	
8	10136	WASHER, FLAT SAE 3/8	2	
9	939654	SCREW, SHC M12-1.75x30MM 12.9 NP	1	
10	4514	SCREW, HHC 1/4-20 X 5/8 GR 5	1	
11	1665	SCREW, HHC 3/8-16 X 2	1	
12	10133	NUT, NYLOC 3/8-16	1	
13	125043	MOUNT W/A CABLE GUIDE	1	

WIRING HARNESS/CIRCUIT BREAKER ASSY.

WIRING HARNESS/CIRCUIT BREAKER ASSY.



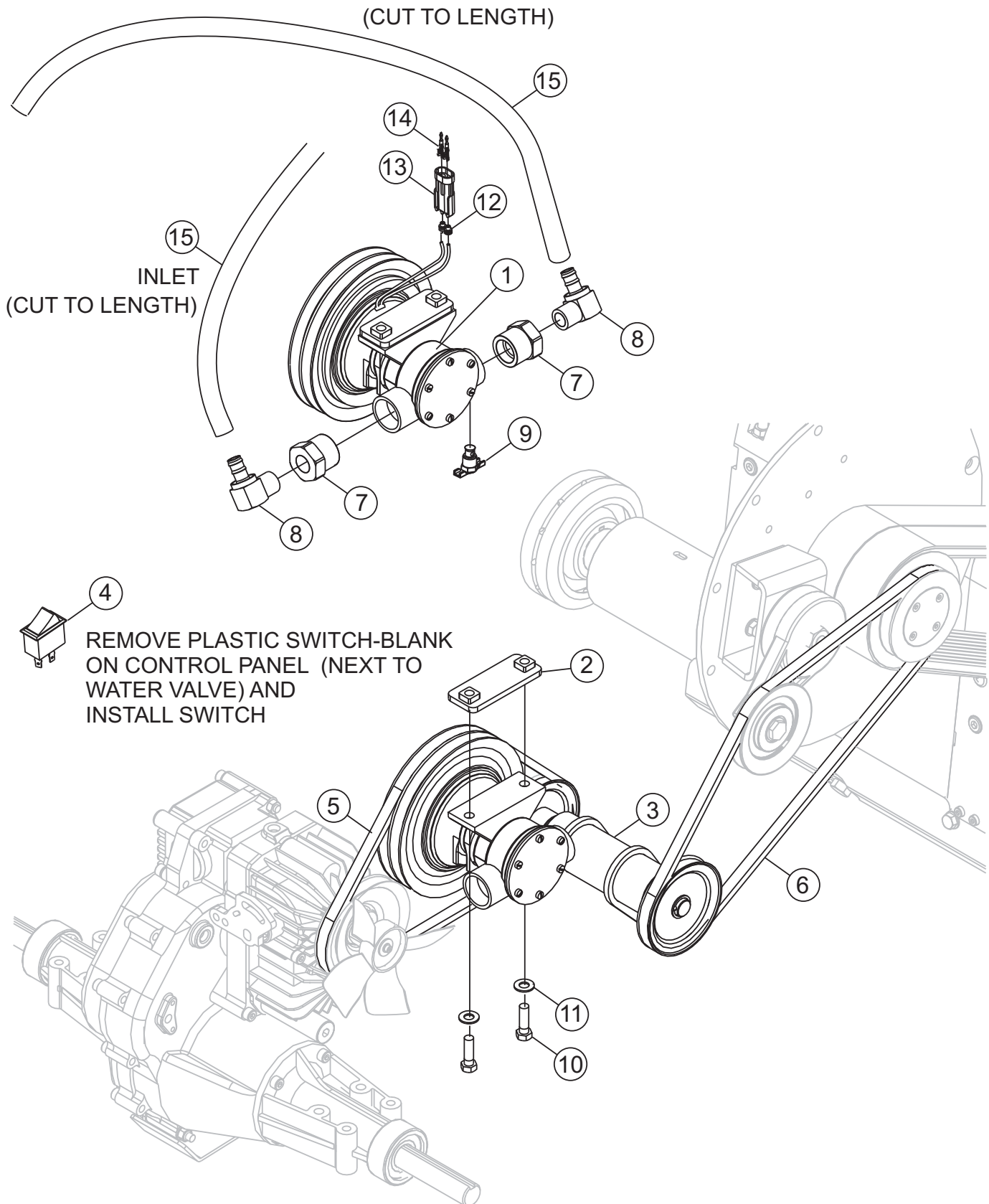
WIRING HARNESS/CIRCUIT BREAKER ASSY.

WIRING HARNESS/CIRCUIT BREAKER ASSY.

<u>NO.</u>	<u>PART NO.</u>	<u>PART NAME</u>	<u>QTY.</u>	<u>REMARKS</u>
1	933242	WASHER	1	
2	10133	NUT, NYLOC 3/8-16	1	
3	406012	MOUNTING BAR, CIRCUIT BREAKER	1	
4	25935	NUT, HEX 10-32 W/STAR WASHER	3	
5	933076	WASHER, FLAT SAE #12 ZINC	2	
6	923201	SCREW, SHC 1/4-20 X 1/2	2	
7	406019	CIRCUIT BREAKER, 10 AMP	3	
8	35436	HARNESS	1	

WATER PUMP KIT ASSY.

WATER PUMP KIT ASSY.

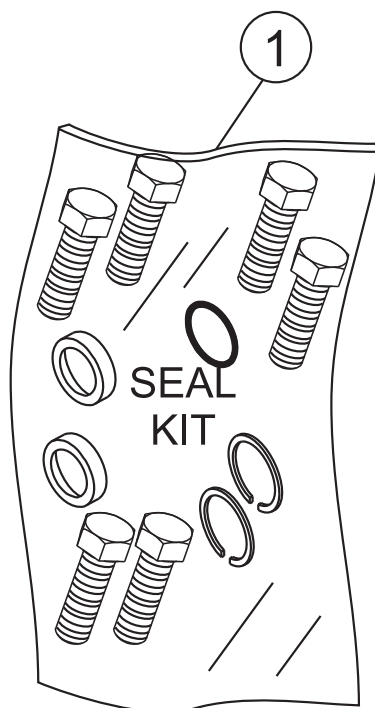


WATER PUMP KIT ASSY.

BELT DRIVE WITH WATER PUMP ASSY.

<u>NO.</u>	<u>PART NO.</u>	<u>PART NAME</u>	<u>QTY.</u>	<u>REMARKS</u>
1	342000	JABSCO WATER PUMP	1	
2	120089	BACKING PLATE, WATER PUMP	1	
3	35116	JACKSHAFT W/A, W/WATER PUMP OPTION	1	
4	406000	ROCKER SWITCH	1	
5	521006	AX 35 BELT	1	
6	521016	AX 43 BELT	1	
7	367021	16 M NPT HOLLOW HEX PLUG	1	
8	25931	FITTING, 90 8BARB - 1/2 MP (4390-8-8)	1	
9	369970	FITTING, PETCOCK RAD DRAIN 1/4MP	1	
10	1023	SCREW, HHC 3/8-16 X 1 1/4 GR 5	2	
11	933242	WASHER, FLAT SAE 3/8 GRD 9 YZ	2	
12	12171	SEAL, WEATHERPACK 16-18 GA, GREEN	2	
13	12176	CONNECTOR, WEATHERPACK 2 MALE PIN	1	
14	12179	FITTING, PETCOCK RAD DRAIN 1/4MP	2	
15	35080	HOSE, #8 LP - 40"	2	

GEARBOX SEAL KIT ASSY.



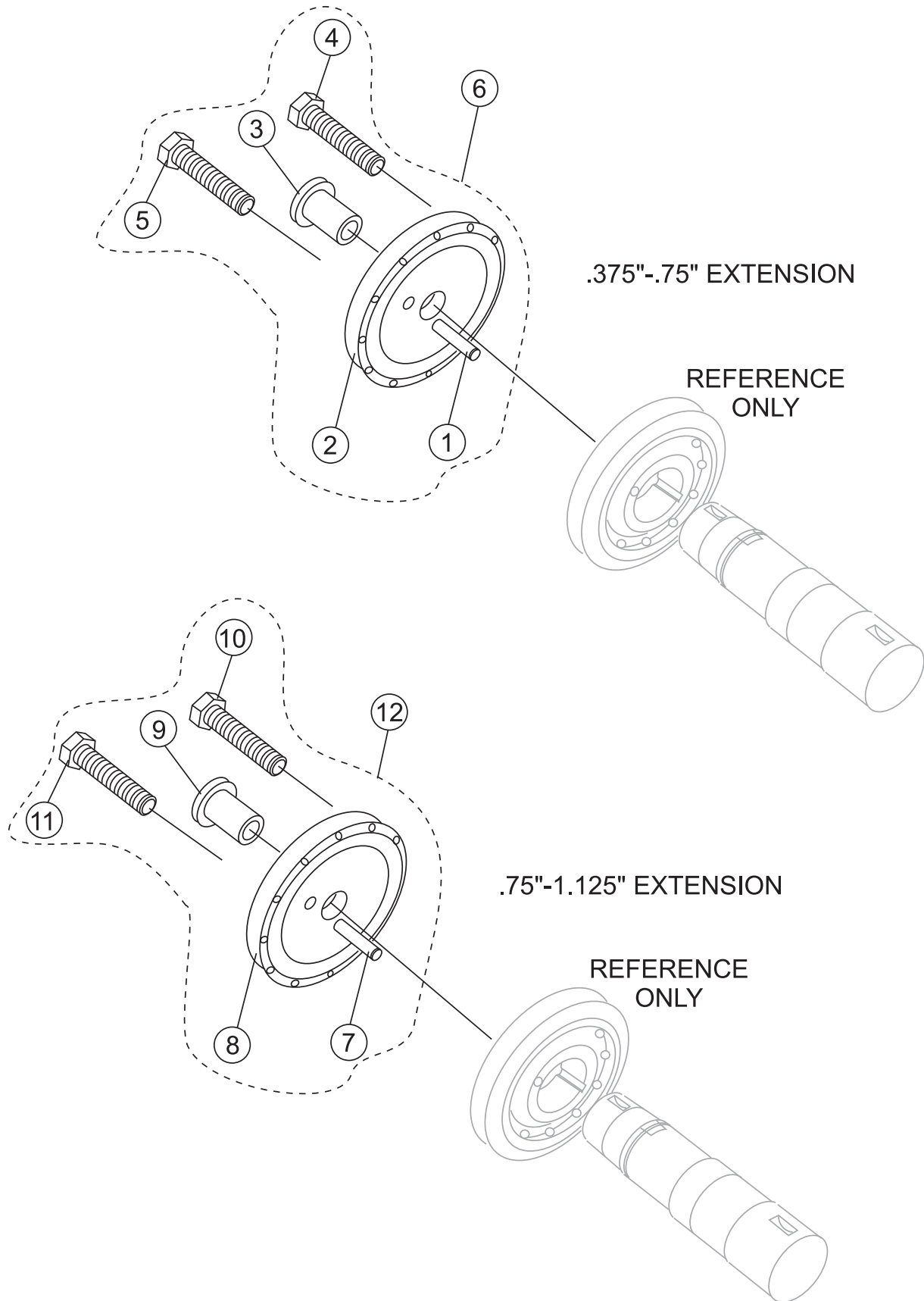
GEARBOX SEAL KIT ASSY.

GEARBOX SEAL KIT ASSY.

<u>NO</u>	<u>PART NO</u>	<u>PART NAME</u>	<u>QTY.</u>	<u>REMARKS</u>
1	TBD	SEAL KIT	1	INCLUDES ITEMS BELOW
	576006	SNAP RING, SH-196	2	
	925382	SCREW, SHS 1/4-20 X 1/2	6	
	480006	SEAL, OIL CR-28655	1	
	480007	SEAL, OIL CR-19599	2	
	578135	O-RING, SIZE 135, VITON	2	

BUSHING EXTENSION KITS ASSEMBLY

BUSHING EXTENSION KITS ASSEMBLY



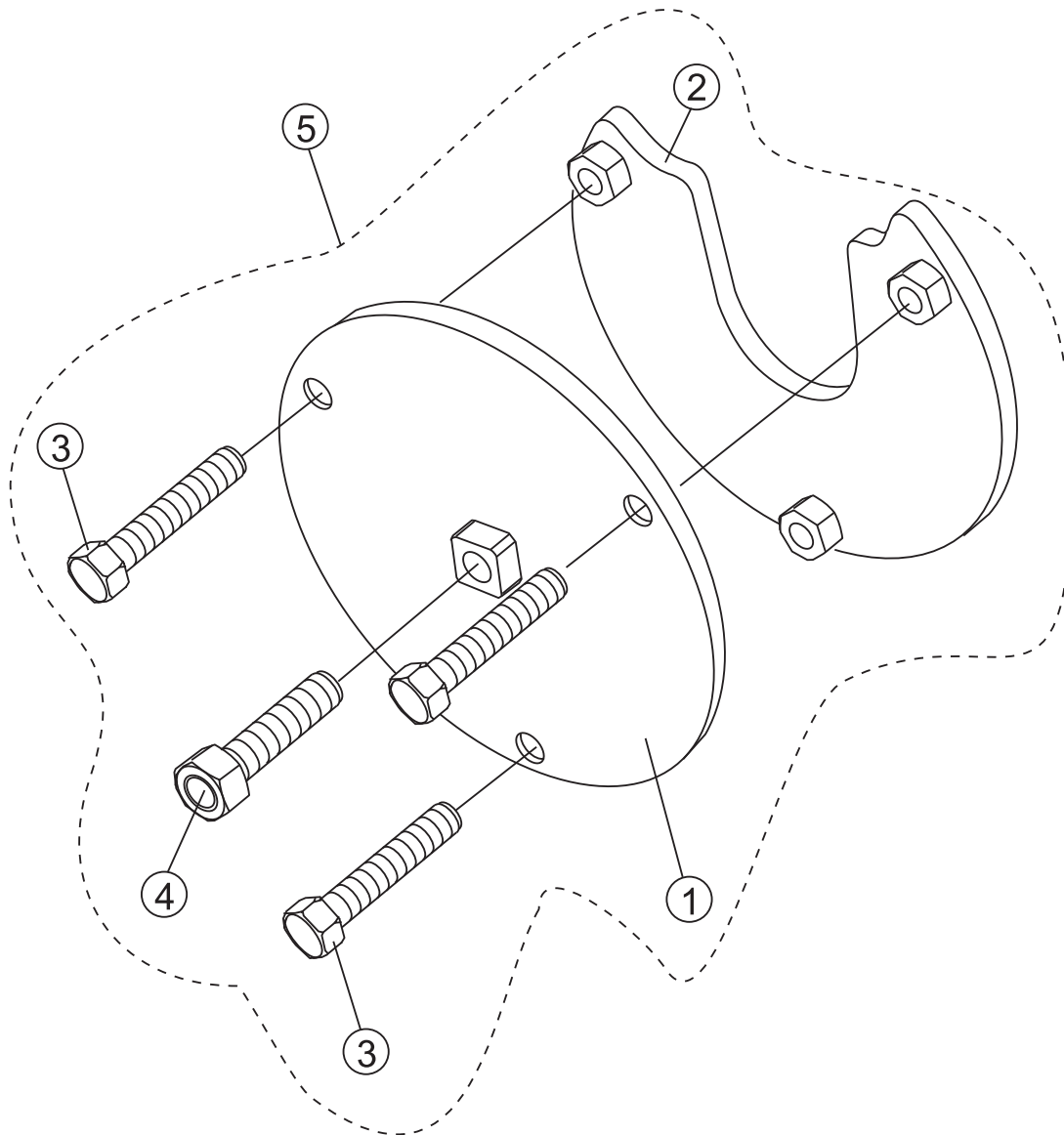
BUSHING EXTENSION KITS ASSEMBLY

BUSHING EXTENSION KITS ASSEMBLY

<u>NO.</u>	<u>PART NO.</u>	<u>PART NAME</u>	<u>QTY.</u>	<u>REMARKS</u>
1*	926949	DOWEL PIN, 3/8" X 2-1/4	1	
2*	180003	COLLAR, OUTER	1	
3*	582032	QD BUSHING, 3/8" - 3/4"	1	
4*	90123445	5/8"-11 X 4 LH HEX BOLT	1	
5*	915319	5/8"-11 X 4 RH HEX BOLT	1	
6	18501	BUSHING EXTENSION KIT (.375" — .75")	1	INCLUDES ITEMS W/*
7#	926950	DOWEL PIN, 3/8" X 2-1/2	1	
8#	180003	COLLAR, OUTER	1	
9#	582033	QD BUSHING, 3/4" - 1-1/8	1	
10#	90123445	5/8"-11 X 4 LH HEX BOLT	1	
11#	915319	5/8"-11 X 4 RH HEX BOLT	1	
12	18502	BUSHING EXTENSION KIT (.75" — 1.125")	1	INCLUDES ITEMS W/#

COLLAR/FLANGE PULLER ASSY. (OPTION)

COLLAR/FLANGE PULLER (OPTION)



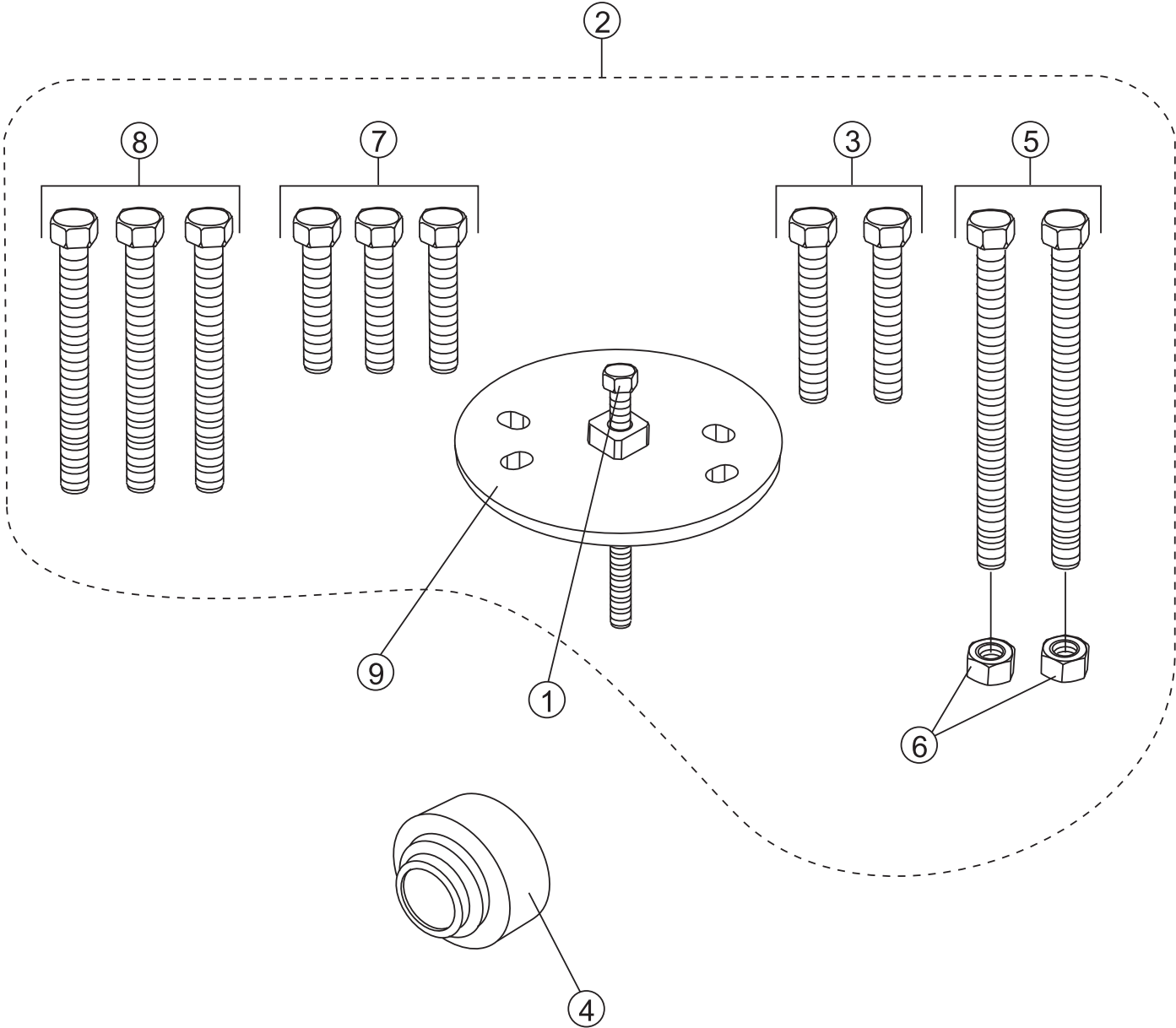
COLLAR/FLANGE PULLER ASSY. (OPTION)

COLLAR/FLANGE PULLER (OPTION)

<u>NO.</u>	<u>PART NO.</u>	<u>PART NAME</u>	<u>QTY.</u>	<u>REMARKS</u>
1*	584037	OUTER PULLER	1	
2*	584038	PLATE, PULLER	1	
3*	2549	SCREW, HHC 1/2"-13 X3	2	
4*	25138	SCREW, HHC 5/8"-11 X5 TAP	1	
5	18503	COLLAR/FLANGE PULLER ASSY. ...	1	INCLUDES ITEMS W/*

SEAL SLEEVE PULLER ASSY. (OPTION)

COLLAR/FLANGE PULLER (OPTION)

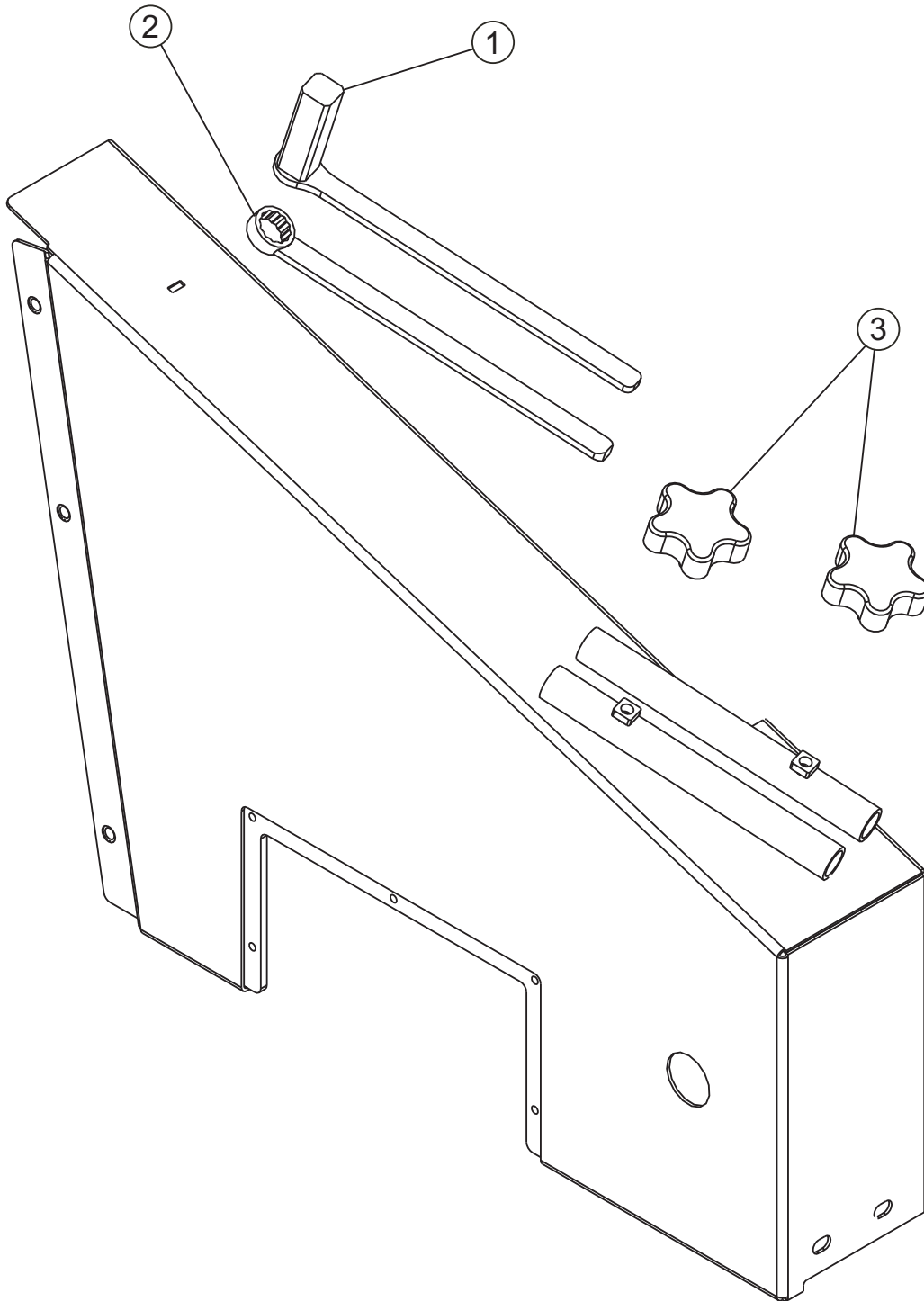


SEAL SLEEVE PULLER ASSY. (OPTION)

COLLAR/FLANGE PULLER (OPTION)

<u>NO.</u>	<u>PART NO.</u>	<u>PART NAME</u>	<u>QTY.</u>	<u>REMARKS</u>
1	35163	SCREW, HHC 3/8 – 16 X 4 FULL THREAD	1	
2	M18505	SEAL SLEEVE & THRUST WASHER PULLER ASSY.	1	INCLUDES ITEMS W/*
3*	35162	SCREW, 10 - 24 X 6 FULL THREAD	2	
4	584049	SEAL INSTALLATION TOOL	1	
5*	35161	SCREW, 10 - 24 X 12 FULL THREAD	2	
6*	937980	NUT, WELD 10 - 24	2	
7*	35164	SCREW, HHC 1/4 – 20 X 5	3	
8*	35165	SCREW, HHC 1/4 – 20 X 10	3	
9	584050	TOOL, SEAL REMOVAL	1	

TOOLS



TOOLS

<u>NO.</u>	<u>PART NO.</u>	<u>PART NAME</u>	<u>QTY.</u>	<u>REMARKS</u>
1	584015	BLADESHAFT SHIFT WRENCH W/A, 6457	1	
2	584011	15-16 BLADE WRENCH	1	
3	15503	KNOB, COMFORT GRIP	2	