

# **PARTS AND OPERATION MANUAL**

## **MULTIQUIP Model GA-2.3R2 A.C. GENERATOR**

Revision #2 (03/05/01)

# TABLE OF CONTENTS

Here's How To Get Help .....	3
Table Of Contents .....	4
Parts Ordering Procedures .....	5
Rules For Safe Operation .....	6
Operation and Safety Decals .....	7
Specifications .....	8
General Information .....	9

## **Multiquip GA-2.3R2 — AC Generator**

Controls and Indicators .....	10
Installation .....	11
Pre-Setup .....	12-13
Instrumentation .....	14
Load Application .....	15
Operating Instructions .....	16
Maintenance .....	17
Preparation For Long Term Storage .....	18
Wiring Diagram .....	19
Troubleshooting (Engine) .....	20-21
Troubleshooting (Generator) .....	22-23
Explanation Of Codes In Remarks Column .....	24
Suggested Spare Parts .....	25
Generator Assembly .....	26-27
Control Box Assembly .....	28-29
Pipe Frame Assembly .....	30-31
Name Plate And Decals .....	32-33

## **Robin EH-17 Engine**

Crankcase Assembly .....	34-35
Crankshaft & Piston Assembly .....	36-37
Intake & Exhaust Assembly .....	38-39
Governor Assembly .....	40-41
Cooling & Starting Assembly .....	42-43
Fuel & Lubricant Assembly .....	44-45
Electric Coil Assembly And Spark Plug .....	46-47
Oil Sensor Assembly .....	48-49
Fuel Strainer .....	50-51

Terms and Conditions Of Sale — Parts .....	52
--	----

# OPERATION AND SAFETY DECALS

## Machine Safety Decals

The GA-2.3R2 portable generator is equipped with a number of safety decals. These decals are provided for operator safety and maintenance information. The illustration below shows these decals as they appear on the machine. Should any of these decals become unreadable, replacements can be obtained from your dealer.



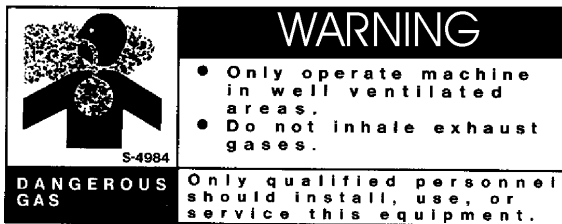
P/N 7930615603



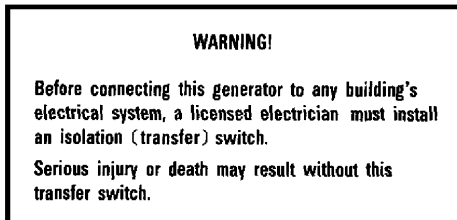
P/N 7900636004



P/N 8700611904



P/N 8700611804



P/N 0820610404



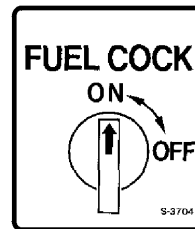
P/N 0800628504

## OPERATING INSTRUCTIONS

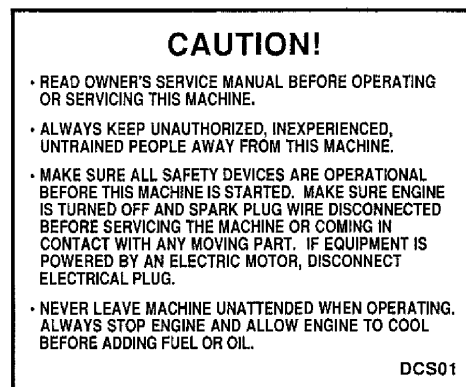
1. Before starting check the oil and fuel level.
2. Switch the circuit breaker to the "OFF" position.
3. Open the fuel valve.
4. Pull the choke knob.
5. Turn the operation switch to the "RUN" position and push.
6. Pull the recoil starter.
7. After the engine starts, gradually push in the choke valve.
8. Run the generator for 3-5 minutes without load.
9. Check for any abnormal noise or smell.
10. Switch the circuit breaker to the "ON" position.
11. When stopping, remove the load and allow it to continue to run for 2-3 minutes before stopping engine.
2. Turns the operation switch to the "STOP" position.
3. After the engine completely stops, close the fuel valve.

S-4607

P/N 7900638204

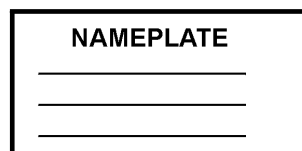


P/N 1980680004



DCS01

P/N 0820610804



CONTACT MULTIQUIP SERVICE DEPT.

# GA-2.3R2 — SUGGESTED SPARE PARTS

## GA-2.3R2 GENERATOR WITH ROBIN EH-17 ENGINE

### 1 to 5 Units

Qty.	P/N	Description
2	0601804883	CIRCUIT BREAKER
2	0601812597	RECEPTACLE
1	0601823204	RECTIFIER
2	0642008900	STRAINER, FUEL
3	0810107103	FILTER, FUEL
1	0810106004	CAP, FUEL TANK
5	2273261007	ELEMENT AIR CLEANER
1	0601800258	AC VOLTMETER
1	0601810695	OIL ALARM LAMP
5	0650140031	SPARK PLUG
1	0669900217	STOP SWITCH

### 5 to 10 Units

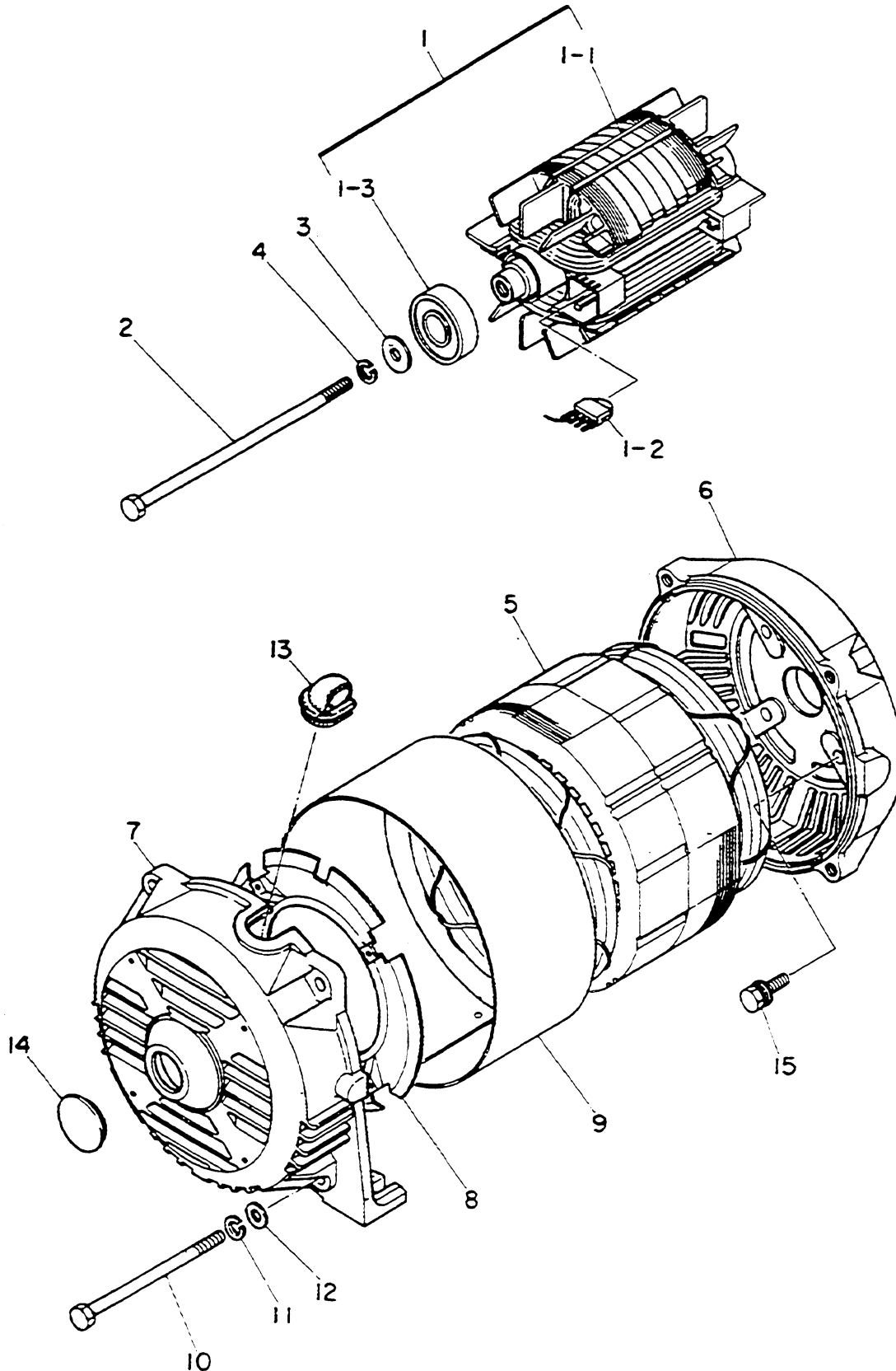
Qty.	P/N	Description
2	0601804883	CIRCUIT BREAKER
4	0601812597	RECEPTACLE
2	0601823204	RECTIFIER
4	0642008900	STRAINER, FUEL
3	0810107103	FILTER, FUEL
2	7925419604	SUSPENSION
2	0805084704	SUSPENSION
2	0810106004	CAP, FUEL TANK
10	2273261007	ELEMENT AIR CLEANER
2	0601800258	AC VOLTMETER
2	0601810695	OIL ALARM LAMP
10	0650140031	SPARK PLUG
2	0669900217	STOP SWITCH
1	2535020100	RECOIL STARTER ASSY.
1	2536240400	CARBURETOR ASSY.
1	KS31102211	OIL SENSOR

#### NOTE

Part numbers on this Suggested Spare Parts List may supercede/replace the P/N shown in the text pages of this book.

# GA-2.3R2 — GENERATOR ASSY.

GENERATOR ASSY.



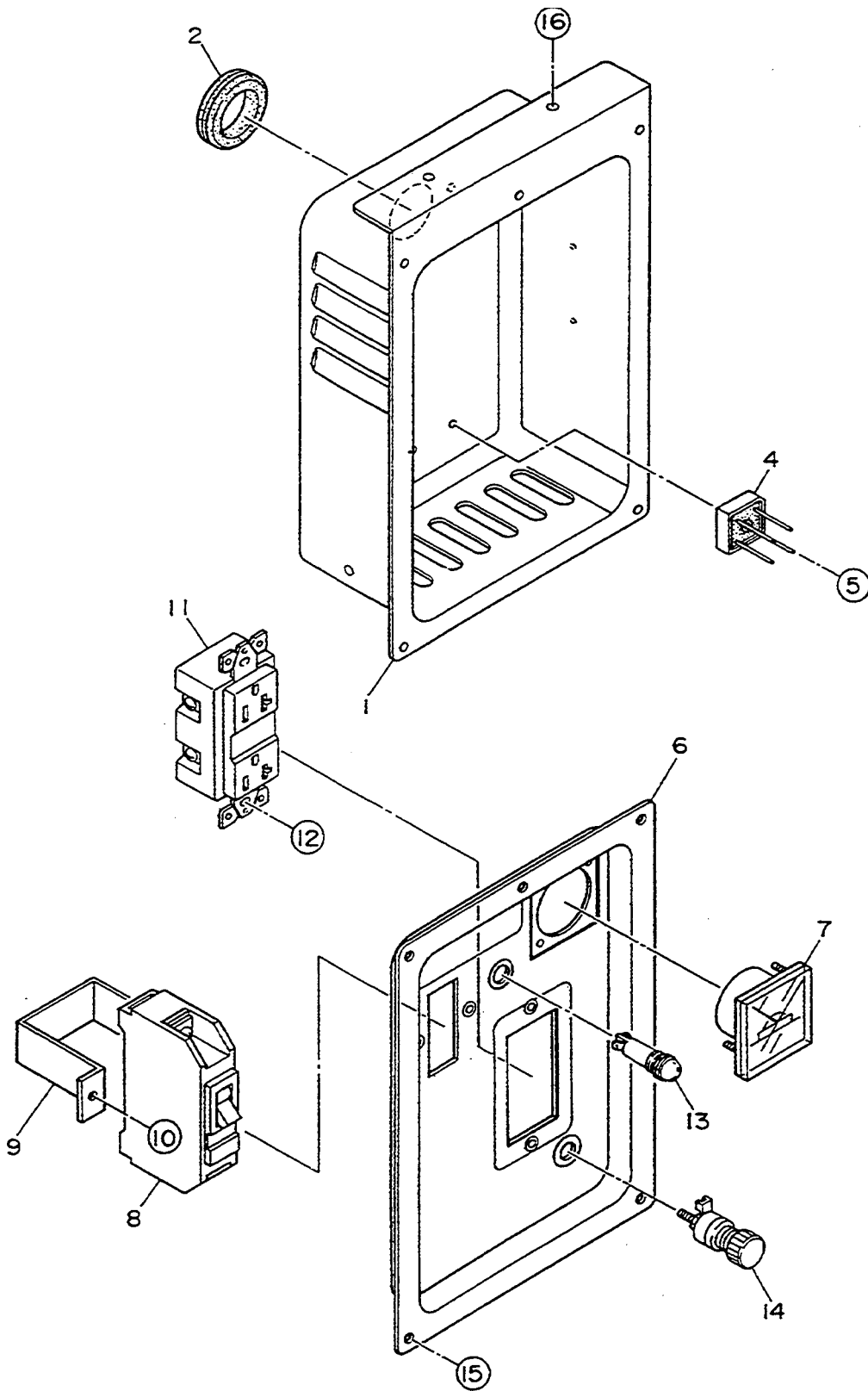
## GA-2.3R2 — GENERATOR ASSY.

### GENERATOR ASSY.

<u>NO</u>	<u>PART NO</u>	<u>PART NAME</u>	<u>QTY.</u>	<u>REMARKS</u>
1	7931000103	ROTOR ASSY	1	
1-1	7931080003	FIELD COIL	1	
1-2	0601823207	RECTIFIER .....	2	D3SB60 (S)
	0601822638	SURGE ABSORBER .....	2	TNR15G431K
1-3	0603000040	BEARING .....	1	6204 2RUNY5CM
2	7681017104	SET BOLT, ROTOR	1	
3	0801086004	SET WASHER, BEARING	1	
4	0040008000	SPRING WASHER	1	
5	7931341603	ARMATURE ASSY.	1	
6	7921315102	END BRACKET	1	
7	7681315022	END BRACKET	1	
8	7875021513	GUIDE PANEL, AIR	1	
9	7931334004	COVER	1	
10	7931316504	SET BOLT, STATOR	4	
11	0040006000	SPRING WASHER	4	
12	952404470	PLAIN WASHER .....	4	REPLACES 0041206000
13	7871329514	GROMMET	1	
14	0601851760	CAP	1	
15	011008020	HEX. HEAD BOLT .....	4	REPLACES 0017108020

# GA-2.3R2 — CONTROL BOX ASSY.

CONTROL BOX ASSY.



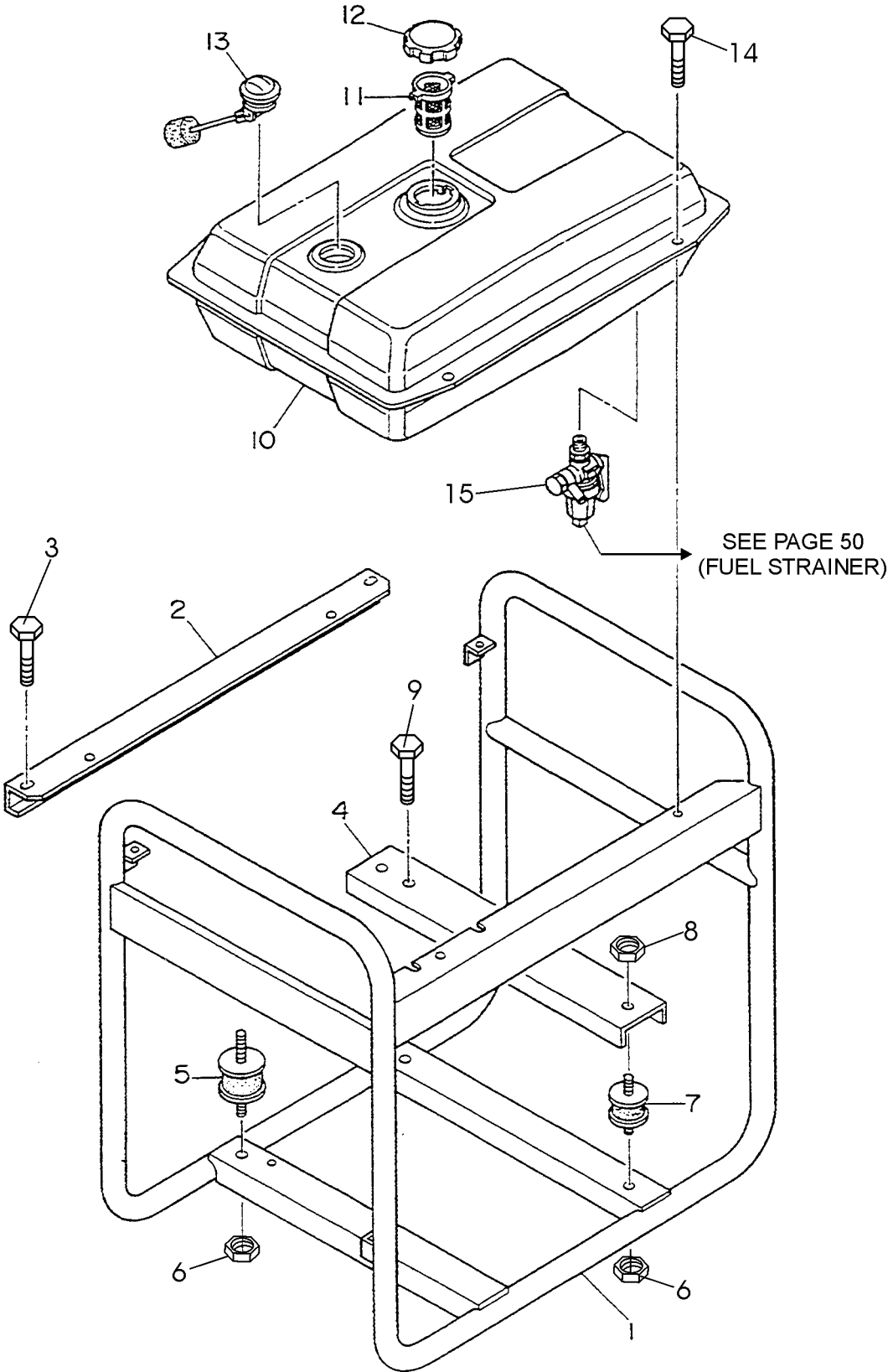
# GA-2.3R2 — CONTROL BOX ASSY.

## CONTROL BOX ASSY.

<u>NO</u>	<u>PART NO</u>	<u>PART NAME</u>	<u>QTY.</u>	<u>REMARKS</u>
1	7931800302	CONTROL BOX	1	
2	0601850245	GROMMET	1	
4	0601823204	RECTIFIER .....	1	S5 VB60
5	0027103020	MACHINE SCREW	1	
6	7931810503	CONTROL PANEL	1	
	7930602302	NAME PLATE .....	1	N-5245A
7	0601800258	AC VOLTMETER .....	1	0~120V
8	0601804883	CIRCUIT BREAKER .....	1	KM-51, 17A
9	3011816004	BRACKET, CIRCUIT BREAKER	1	
10	0021004010	MACHINE SCREW	2	
11	0601812597	RECEPTACLE .....	1	5-20R,GFCI
12	0021004010	MACHINE SCREW	2	
	0030004000	HEX NUT	2	REPLACES 0207004000
13	0601810695	OIL ALARM LAMP .....	1	06-106PR
14	0601815109	GROUND TERMINAL .....	1	T-381
15	55885	HEX. HEAD BOLT .....	5	REPLACES 0017105010
16	0017106016	HEX. HEAD BOLT	3	

# GA-2.3R2 — PIPE FRAME ASSY.

PIPE FRAME ASSY.

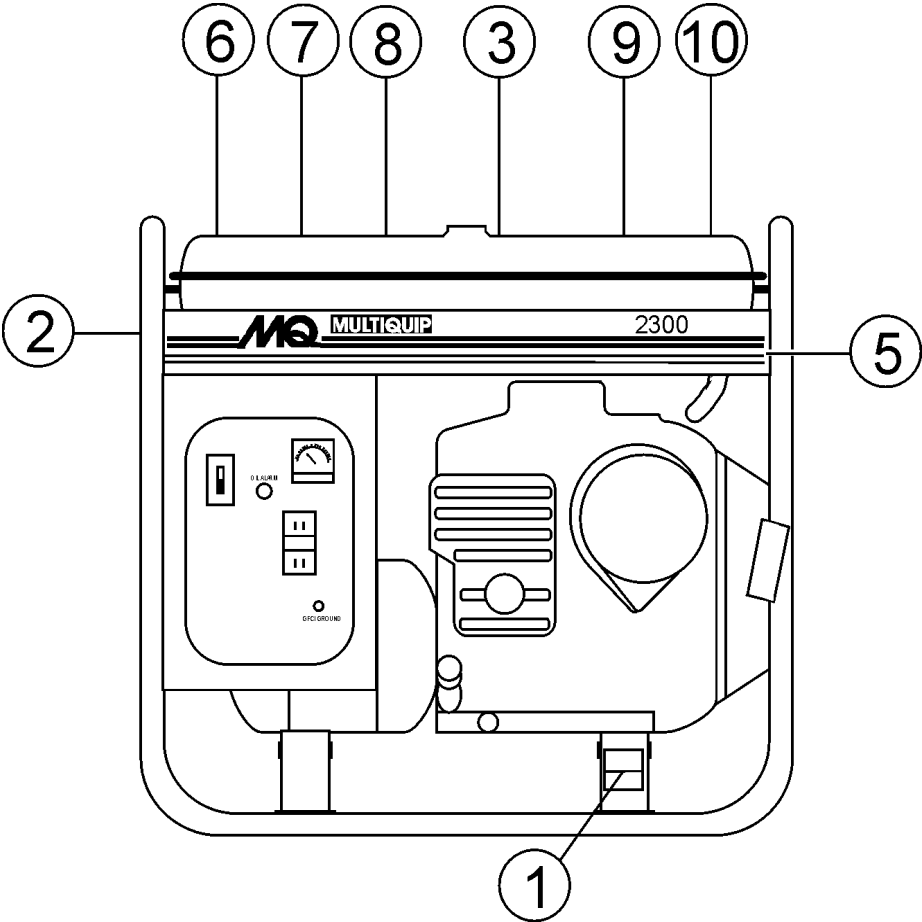


PIPE FRAME ASSY.

<u>NO</u>	<u>PART NO</u>	<u>PART NAME</u>	<u>QTY.</u>	<u>REMARKS</u>
1	7935400402	PIPE FRAME	1	
2	7935410403	BRACKET	1	
3	0017106016	HEX. HEAD BOLT	4	
4	7935410003	BASE	1	
5	0805084704	RUBBER SUSPENSION	2	
6	020108060	HEX. NUT .....	4	REPLACES 0207008000
7	7925419604	RUBBER SUSPENSION	2	
8	020108060	HEX. NUT .....	4	REPLACES 0207008000
9	0017108040	HEX. HEAD BOLT	2	
	020108060	HEX. NUT .....	2	REPLACES 0207008000
10	7945510102	FUEL TANK	1	
11	0810107103	FUEL FILTER	1	
12	0810106004	CAP, FUEL TANK	1	
13	0602125031	FUEL GAGE	1	
14	011008020	HEX. HEAD BOLT .....	4	REPLACES 0017108020
15	0642008900	FUEL STRAINER ASSY. ....	1	SEE PAGES 50 AND 51

# GA-2.3R2 — NAME PLATE AND DECALS

## NAME PLATE AND DECALS

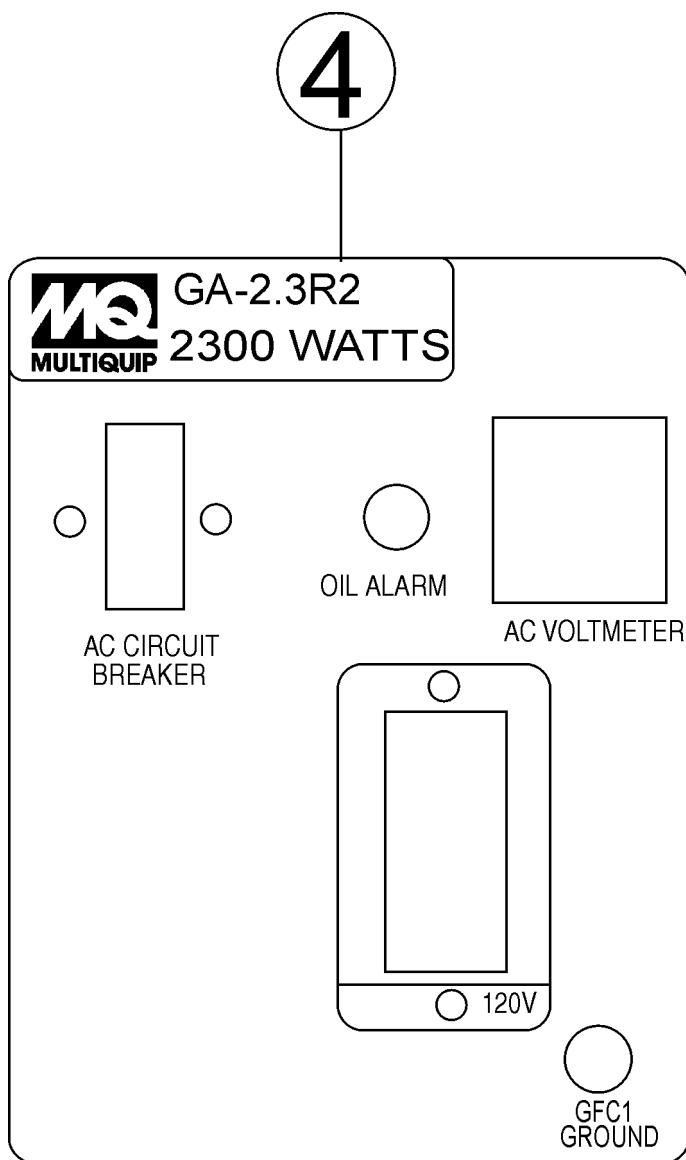


# GA-2.3R2 — NAME PLATE AND DECALS

## NAME PLATE AND DECALS

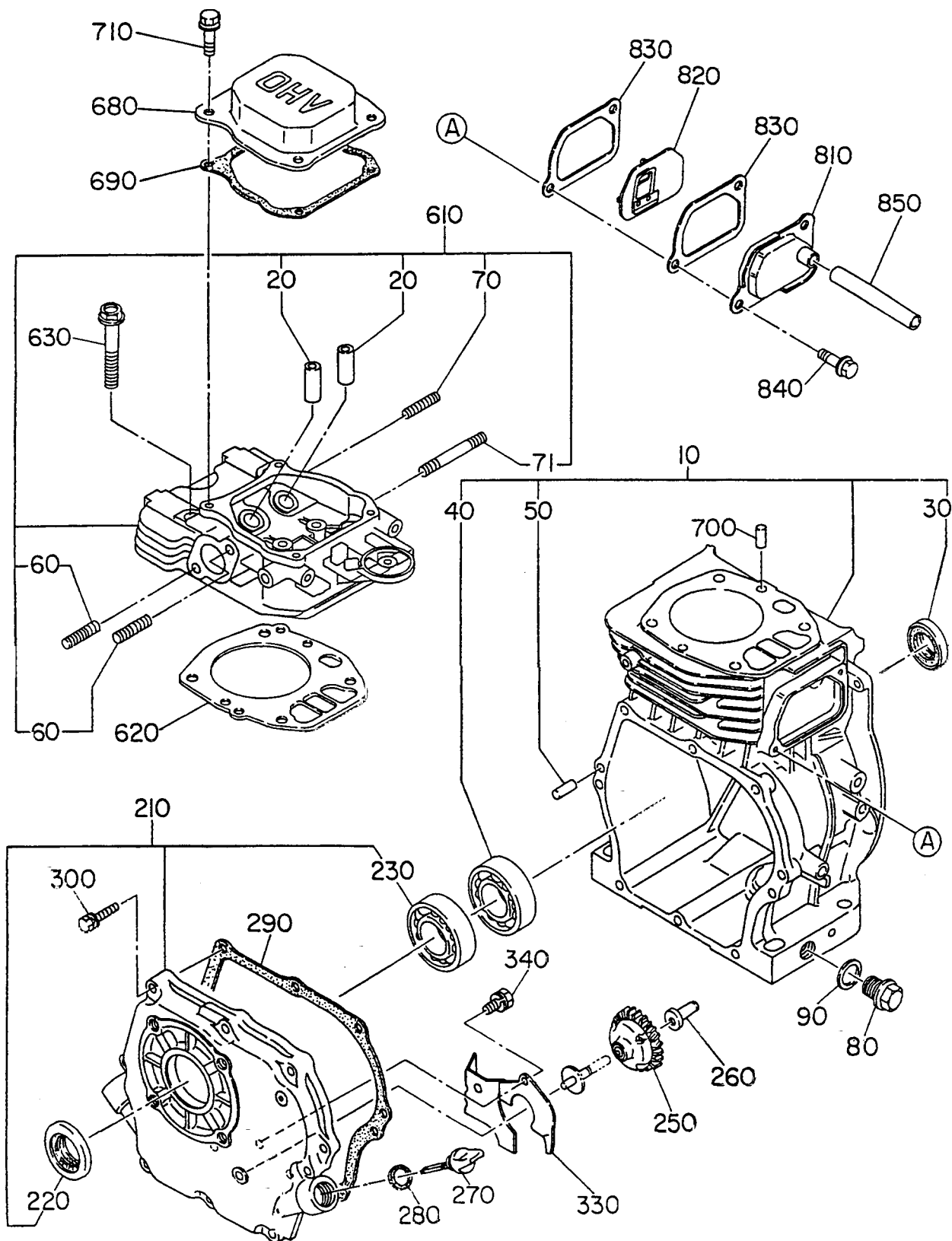
NO	PART NO	PART NAME	QTY	REMARKS
1*	0800628504	DECAL : GROUND	1	S-1123
2*	1980680004	DECAL : FUEL COCK	1	S-3704
3*	7900638204	DECAL : OPERATING INSTRUCTIONS	1	S-4605
4*	7930602302	DECAL : MQ GA-2.3R2	1	S-5245A
5*	7930615603	DECAL : MQ 2300	1	S-5246
6*	0820610804	DECAL : CAUTION	1	S-3311
7*	0820610404	DECAL : WARNING	1	S-3627
8*	7900636004	DECAL : OPERATE AT 3600 RPM ONLY	1	S-4461
9*	8700611804	DECAL : WARNING	1	S-4984
10*	8700611904	DECAL : DANGER	1	S-4985
11		PLATE, SERIAL NO. ....	1	..... CONTACT MQ SERVICE DEPT. W/MODEL & S/N
	DCLGA23R2	KIT, DECAL .....	1	..... INCLUDES ITEMS W/*

SEE DECAL ILLUSTRATIONS ON PAGE 7.



# ROBIN EH-17 ENGINE — CRANKCASE ASSY.

## CRANKCASE ASSY.



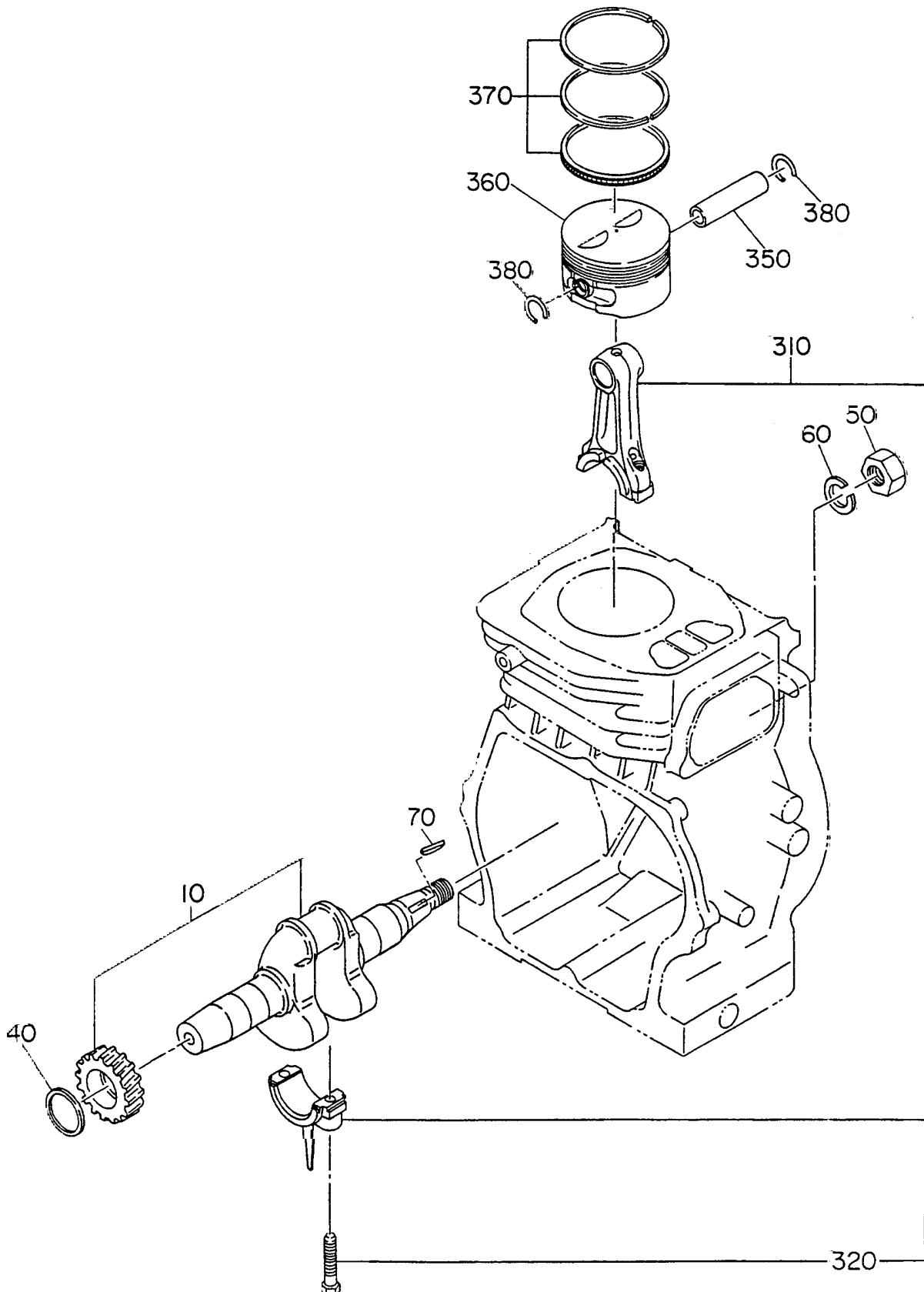
# ROBIN EH-17 ENGINE — CRANKCASE ASSY.

## CRANKCASE ASSY.

<u>NO.</u>	<u>PART NO.</u>	<u>PART NAME</u>	<u>QTY.</u>	<u>REMARKS</u>
10	2691010401	CRANK CASE CP .....	1 .....	INCLUDES ITEMS W/#
20	2371420203	VALVE GUIDE	2	OVER SIZE
30#	0440250070	OIL SEAL	1	25X38X7
40#	0600250010	BALL BEARING	1	BB6205C3
50#	0310060020	DOWEL PIN	2	
60	0105080290	STUD	2	
70	0105060131	STUD	1	
71	0013906600	STUD	1	
80	0401140030	PLUG	2	
90	0211140020	GASKET	2	
210	2531101301	MAIN BEARING COVER .....	1 .....	INCLUDES ITEMS W/%
220%	0440250160	OIL SEAL	1	25X41.24X7
230%	0600250010	BALL BEARING	1	BB6205C3
250	2274500301	GOVERNOR GEAR CP	1	
260	2054190103	GOVERNOR SLEEVE	1	
270	2696360103	OIL GAUGE	1	
280*	0213160020	GASKET	1	
290*	2531600203	GASKET (BEARING COVER)	1	
300	0130060040	BOLT & WASHER ASSEMBLY	8	
330	2531750113	SHELTER PLATE	1	
340	0043505100	SCREW & WASHER ASSEMBLY	2	
610	2691300101	CYLINDER HEAD CP	1	
620*	2531500123	GASKET (HEAD)	1	
630	0110080100	FLANGE BLOT	4	
680	2531550103	ROCKER COVER	1	
690*	2691600403	GASKET (ROCKER COVER)	1	
700	0310060020	DOWEL PIN	2	
710	0110060020	FLANGE BLOT	4	
810	2531430111	BREATHER COVER CP	1	
820	2531440111	BREATHER PLATE CP	1	I
830*	2531600633	GASKET (BREATHER COVER)	2	
840	0110060030	FLANGE BOLT	2	
850	0851080000	RUBBER PIPE	1	8X11X75
960	2539900107	GASKET SET .....	1 .....	INCLUDES ITEMSW/* IN ADDITION SEE GASKETS FROM INTAKE & EXHAUST ASSY. (340,550,555 & 560)

# ROBIN EH-17 ENGINE — CRANKSHAFT & PISTON ASSY.

CRANKSHAFT & PISTON ASSY.



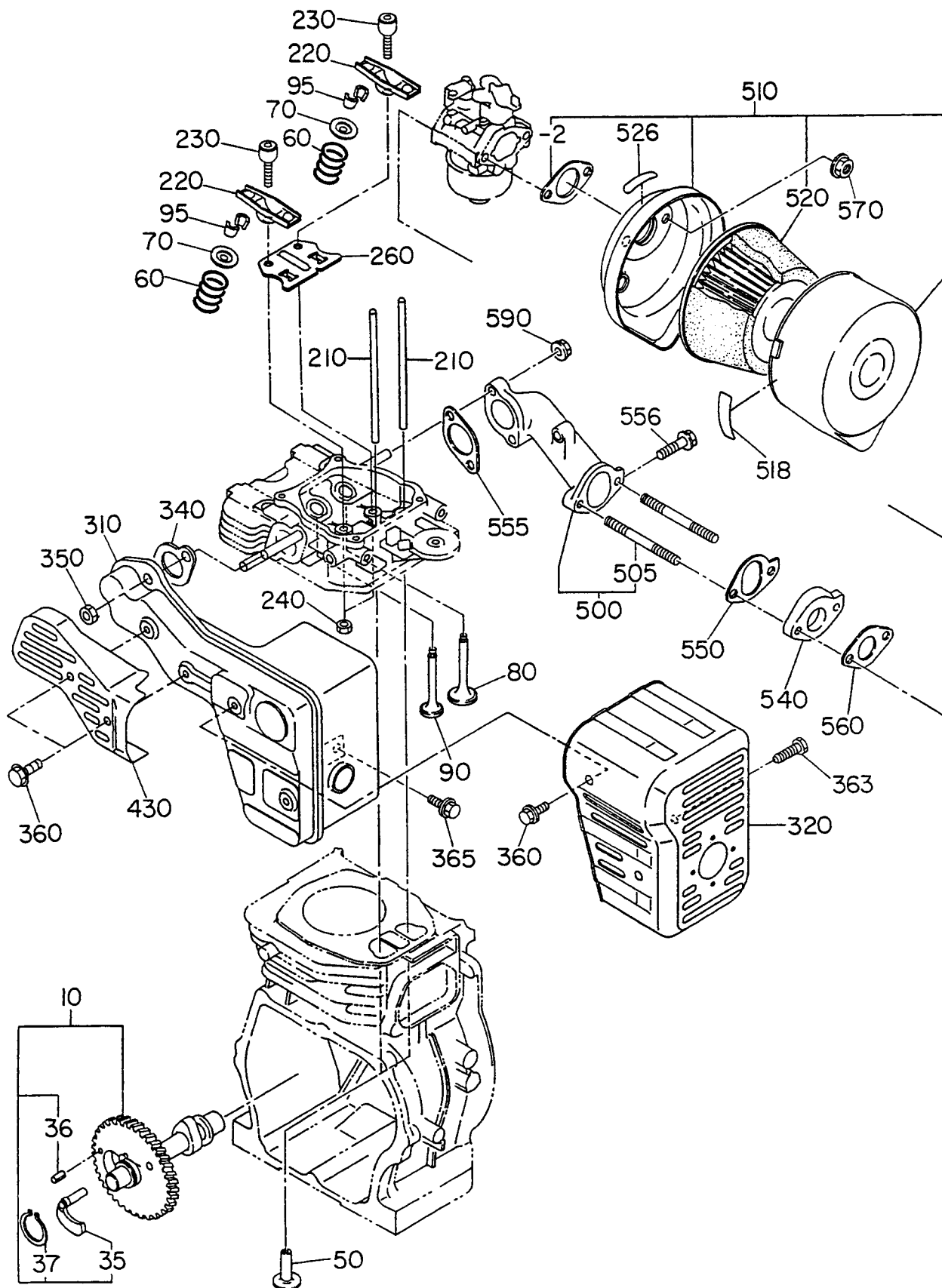
# ROBIN EH-17 ENGINE — CRANKSHAFT & PISTON ASSY.

## CRANKSHAFT & PISTON ASSY.

<u>NO.</u>	<u>PART NO.</u>	<u>PART NAME</u>	<u>QTY.</u>	<u>REMARKS</u>
10	2532070101	CRANKSHAFT CP	1	
40	0230250110	SPACER	1	T=0.6 SELECTIVE ASSEMBLY
	0230250120	SPACER	1	T=0.8 SELECTIVE ASSEMBLY
	0230250130	SPACER	1	T=1.0 SELECTIVE ASSEMBLY
50	0021814000	NUT	1	
60	0032014000	SPRING WASHER	1	
70	0323030010	WOODRUFF KEY	1	
310	2532250120	CONNECTING ROD ASSY.....	1	INCLUDES ITEMS W/#
320#	2512300103	CONNECTING ROD BOLT	2	
350	2692330103	PISTON PIN	1	
360	2692340103	PISTON	1	STANDARD
	2692340203	PISTON	1	OVER SIZE 0.25MM
	2692340303	PISTON	1	OVER SIZE 0.50MM
370	2532350117	PISTON RING SET	1	STANDARD
	2532350217	PISTON RING SET	1	OVER SIZE 0.25MM
	2532350317	PISTON RING SET	1	OVER SIZE 0.50MM
380	0565160010	CLIP	2	

# ROBIN EH-17 ENGINE — INTAKE & EXHAUST ASSY.

INTAKE & EXHAUST ASSY.



# ROBIN EH-17 ENGINE — INTAKE & EXHAUST ASSY.

## INTAKE & EXHAUST ASSY.

<u>NO.</u>	<u>PART NO.</u>	<u>PART NAME</u>	<u>QTY.</u>	<u>REMARKS</u>
10	2533170111	CAMSHAFT CP .....	1	INCLUDES ITEMS W/%
35%	2273640103	RELEASE LEVER	1	
36%	0051904100	SPRING PIN	1	
37%	0031522000	SNAP RING (OUTER)	1	
50	2393330113	TAPPET	2	
60	2533360103	VALVE SPRING	2	
70	13209KA040	RET. VALVE SPRING	2	
80	2693340103	INTAKE VALVE	1	
90	2693350103	EXHAUST VALVE	1	
95	13210KA031	COLLET-VALVE	4	
210	2693530103	PUSH ROD	2	
220	26136001A3	ROCKER ARM .....	2	INCLUDES ITEMS W/■
230■	2693580103	BOLT (PIVOT)	2	
240■	0170060090	NUT	2	
260	2693650103	GUIDE PLATE	1	
310	2693010101	MUFFLER CP	1	
320	2533420111	MUFFLER COVER	1	
340	2533520103	GASKET (MUFFLER)	1	
350	0170080030	NUT	2	
360	0045206103	TAPPING SCREW	4	
363	0152060080	TAPPING BOLT	1	
365	0110060020	FLANGE BOLT	1	
430	2693480103	EXHAUST PIPE COVER	1	
500	2533300101	INTAKE PIPE CP .....	1	INCLUDES ITEMS W/#
505#	0105060230	STUD	2	
510	2533261010	AIR CLEANER ASSEMBLY .....	1	INCLUDES ITEMS W/#
510-2#	2363263008	PACKING	1	
518	2539530113	LABEL (CLEANER ID)	1	
520#	2273261007	ELEMENT SET	1	
526	0732000150	LABEL, SHUTTER	1	
540	2533290103	INSULATOR	1	
550	2533590103	GASKET 3 (INSULATOR)	1	
555	2273590103	GASKET (INSULATOR)	1	
556	0110060130	FLANGE BOLT	1	
560	2363590303	GASKET 2 (INSULATOR)	1	
570	2263921200	NUT & WASHER ASSEMBLY	2	
590	0023806000	FLANGE NUT	2	



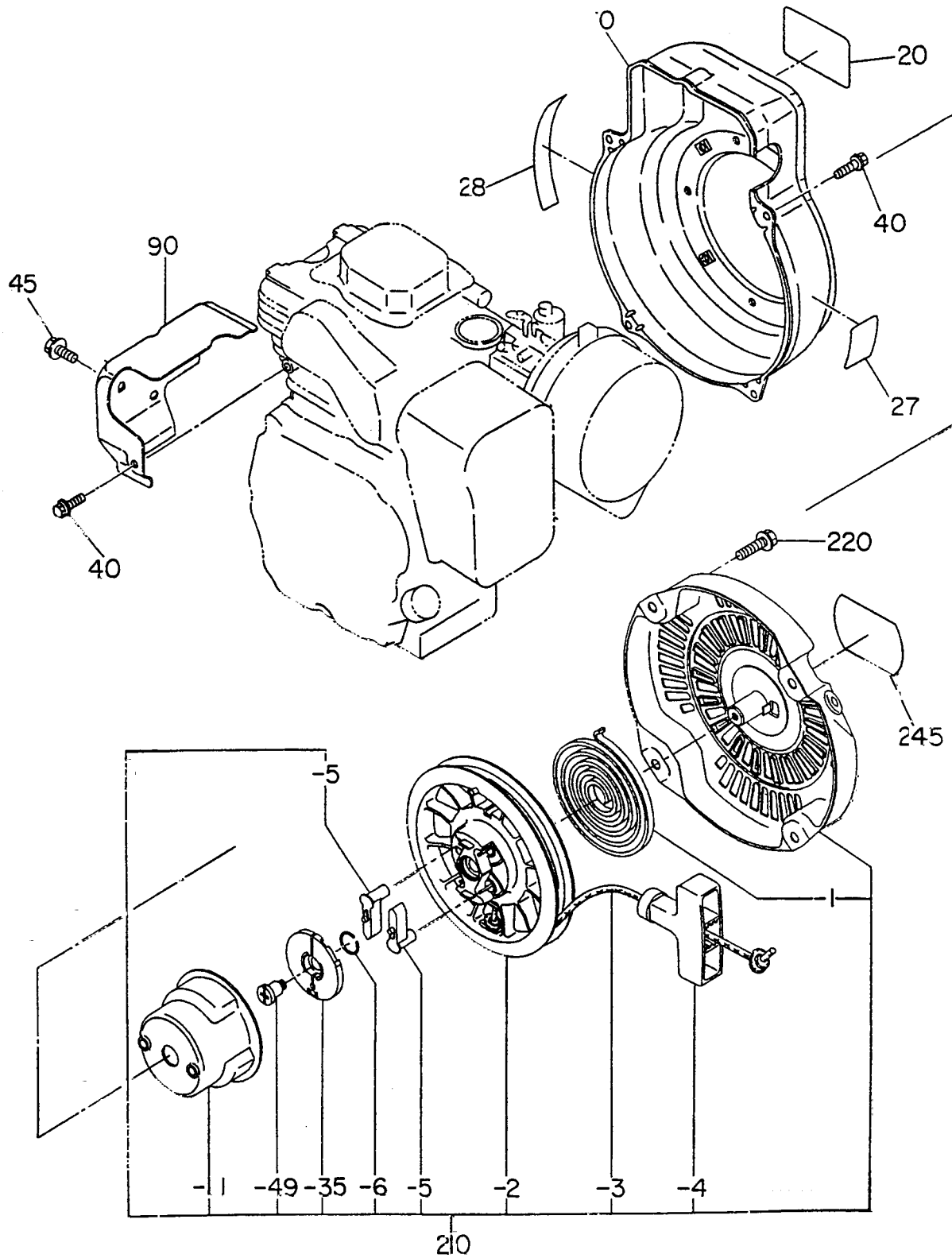
## ROBIN EH-17 ENGINE — GOVERNOR ASSY.

### GOVERNOR ASSY.

<u>NO.</u>	<u>PART NO.</u>	<u>PART NAME</u>	<u>QTY.</u>	<u>REMARKS</u>
10	2534230123	GOVERNOR LEVER	1	
20	2274220103	GOVERNOR SHAFT	1	
25	0031108000	WASHER	1	
30	2534270101	GOVERNOR ROD CP	1	
40	2534280103	ROD SPRING	1	
50	0031306000	CLIP	2	
60	0011406300	BOLT & WASHER ASSEMBLY	1	
70	0186060020	NUT	1	
80	2534250123	GOVERNOR SPRING	1	
310	2694330100	SPEED CONTROL ASSEMBLY .....	1	INCLUDES ITEMS W/#
320#	2694330101	SPEED CONTROL CP	1	
330#	2274360103	KNOB	1	
340	2694350103	STOP PLATE	1	
345	0043104300	SCREW, PANHEAD	1	
346	2694550303	IDLE SET SPRING	1	
350	2274500203	SPRING WASHER	1	
360	0043106300	SCREW	1	
370	0022706000	NUT	1	
380	0110060030	FLANGE BOLT	1	

# ROBIN EH-17 ENGINE — COOLING & STARTING ASSY.

COOLING & STARTING ASSY.



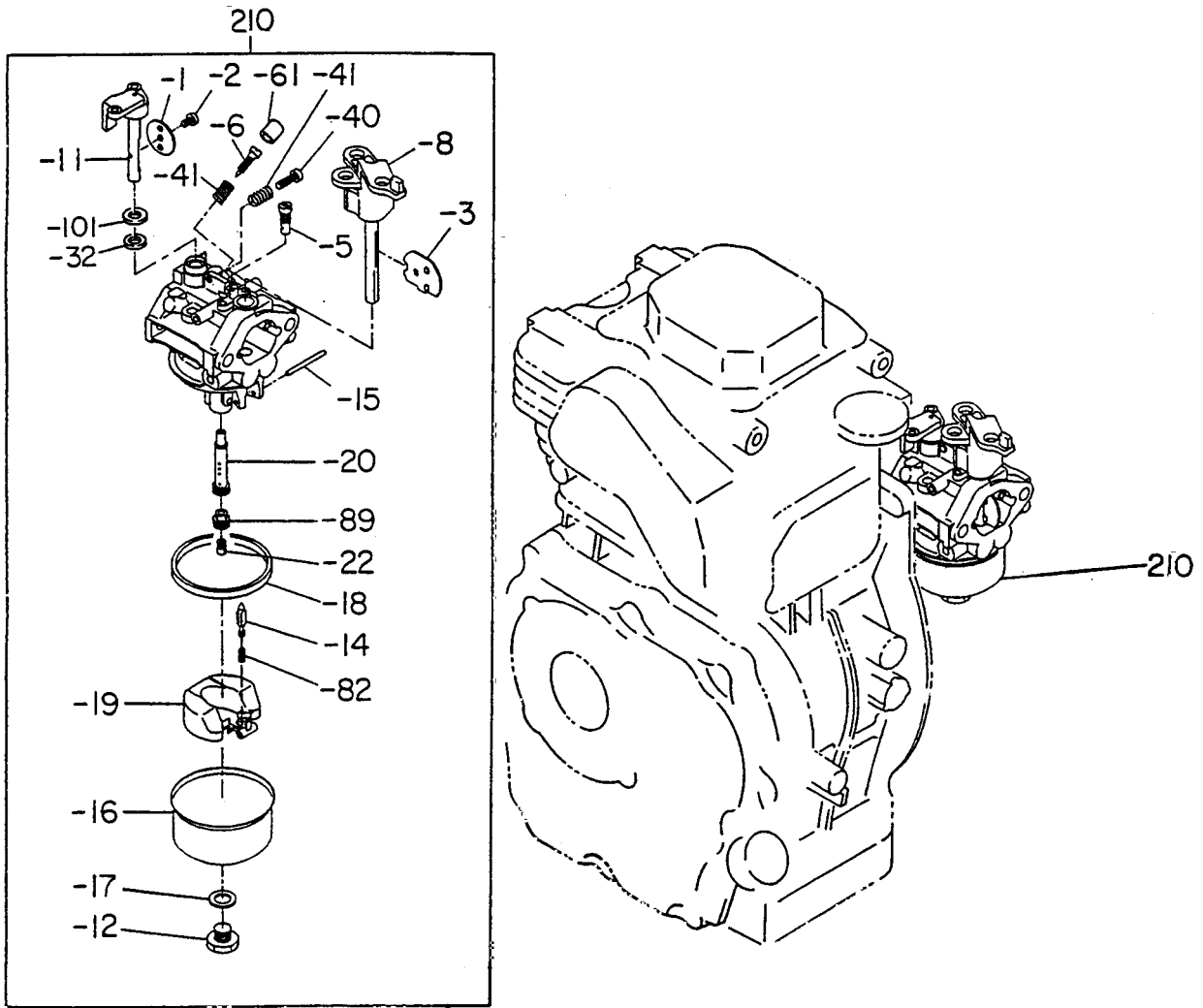
## ROBIN EH-17 ENGINE — COOLING & STARTING ASSY.

### COOLING & STARTING ASSY.

<u>NO.</u>	<u>PART NO.</u>	<u>PART NAME</u>	<u>QTY.</u>	<u>REMARKS</u>
10	2535126201	BLOWER HOUSING CP 2	1	
20	2699170303	TRADE MARK LABEL	1	
27	0732003900	WARNING LABEL	1	
28	2539520113	EMISSION CONTENT LABEL	1	
40	0110060020	FLANGE BOLT	5	
45	0110060030	FLANGE BOLT	2	
90	2535270103	HEAD COVER	1	
210	2695020100	RECOIL STARTER ASSEMBLY ...	1	INCLUDES ITEMS W/#
210-1#	2705011508	SPIRAL SPRING	1	
210-2#	2695012008	REEL	1	
210-3#	2695011008	STARTER ROPE	1	
210-4#	2615010008	STARTER KNOB	1	
210-5#	2705012508	RATCHET	2	
210-6#	2275013108	FRICTION SPRING	1	
210-11#	2695014508	STARTER PULLEY	1	
210-35#	2705026108	RATCHET GUIDE	1	
210-49#	2275015208	SET SCREW	1	
220	0110060010	FLANGE BOLT	4	
245	0732004950	OHV MARK LABEL	1	

# ROBIN EH-17 ENGINE — FUEL & LUBRICANT ASSY.

FUEL & LUBRICANT ASSY.



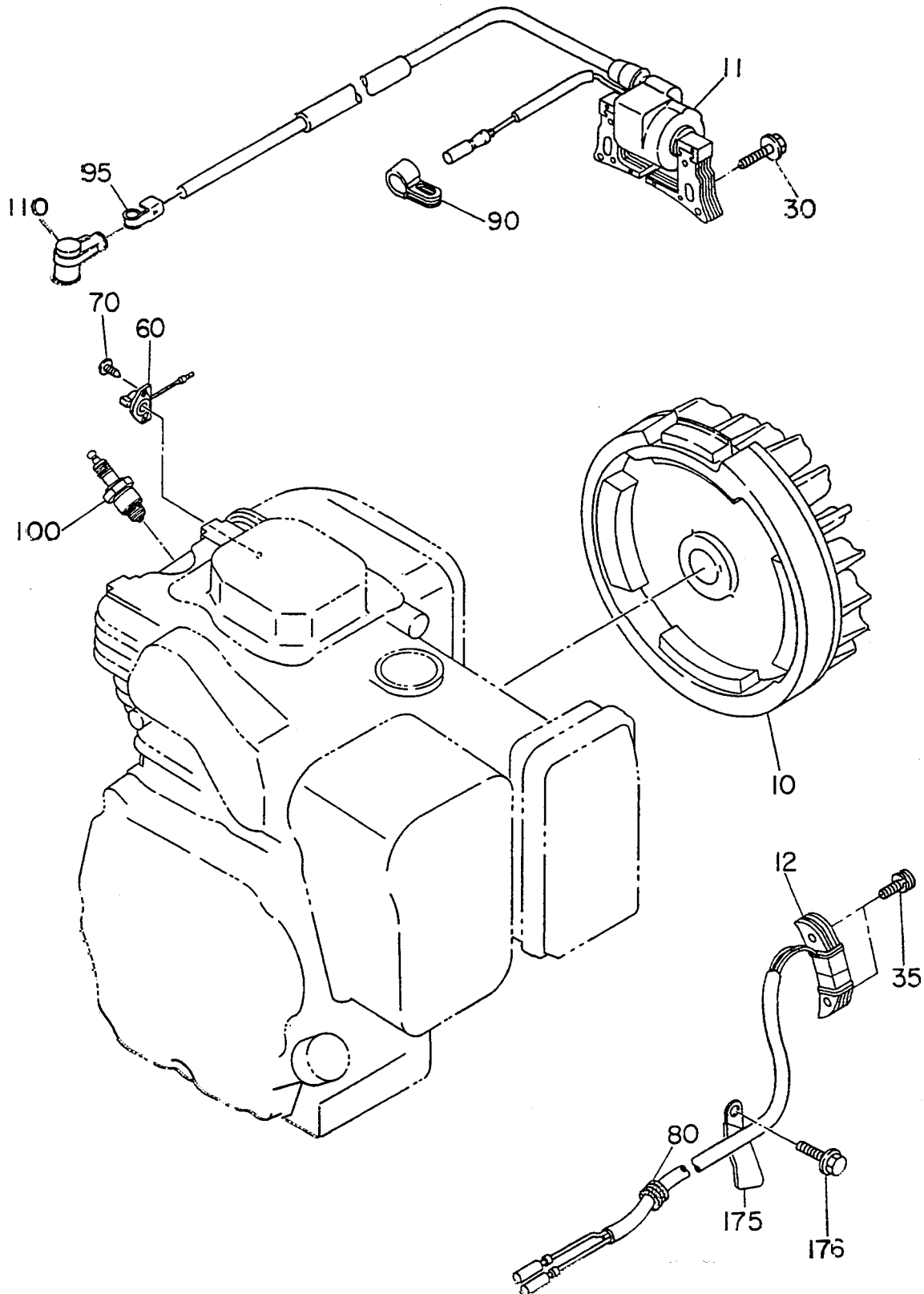
# ROBIN EH-17 ENGINE — FUEL & LUBRICANT ASSY.

## FUEL & LUBRICANT ASSY.

<u>NO.</u>	<u>PART NO.</u>	<u>PART NAME</u>	<u>QTY.</u>	<u>REMARKS</u>
210	2536245500	CARBURETOR AY. ....	1	INCLUDES ITEMS W/#
210-1#	2206253608	THROTTLE VALVE	1	
210-2#	2536235208	SCREW	1	
210-3#	2536252508	CHOKE VALVE	1	
210-5#	2536242008	PILOT JET	1	
210-6#	2466243608	PILOT SCREW	1	
210-8#	2536257008	CHOKE LEVER	1	
210-11#	2536253308	THROTTLE SHAFT - A	1	
210-12#	2366245108	BOLT	1	
210-14#	1616235208	NEEDLE	1	
210-15#	2366251008	PIN	1	
210-16#	2366255108	FLOAT CHAMBERBODY AY.	1	
210-17#	2366245008	PACKING	1	
210-18#	2366254008	PACKING	1	
210-19#	2366250508	FLOAT	1	
210-20#	2386244008	MAIN NOZZLE	1	
210-22#	2536240108	MAIN JET	1	
210-32#	1066239208	SEAL	2	
210-40#	2466243508	ADJUST SCREW	1	
210-41#	2096244508	SPRING	2	
210-89 #	2356242508	GUIDE HOLDER	1	
210-101#	2536235508	RING	1	

# ROBIN EH-17 ENGINE — ELECTRIC COIL ASSY. AND SPARK PLUG

## ELECTRIC COIL ASSY. AND SPARK PLUG



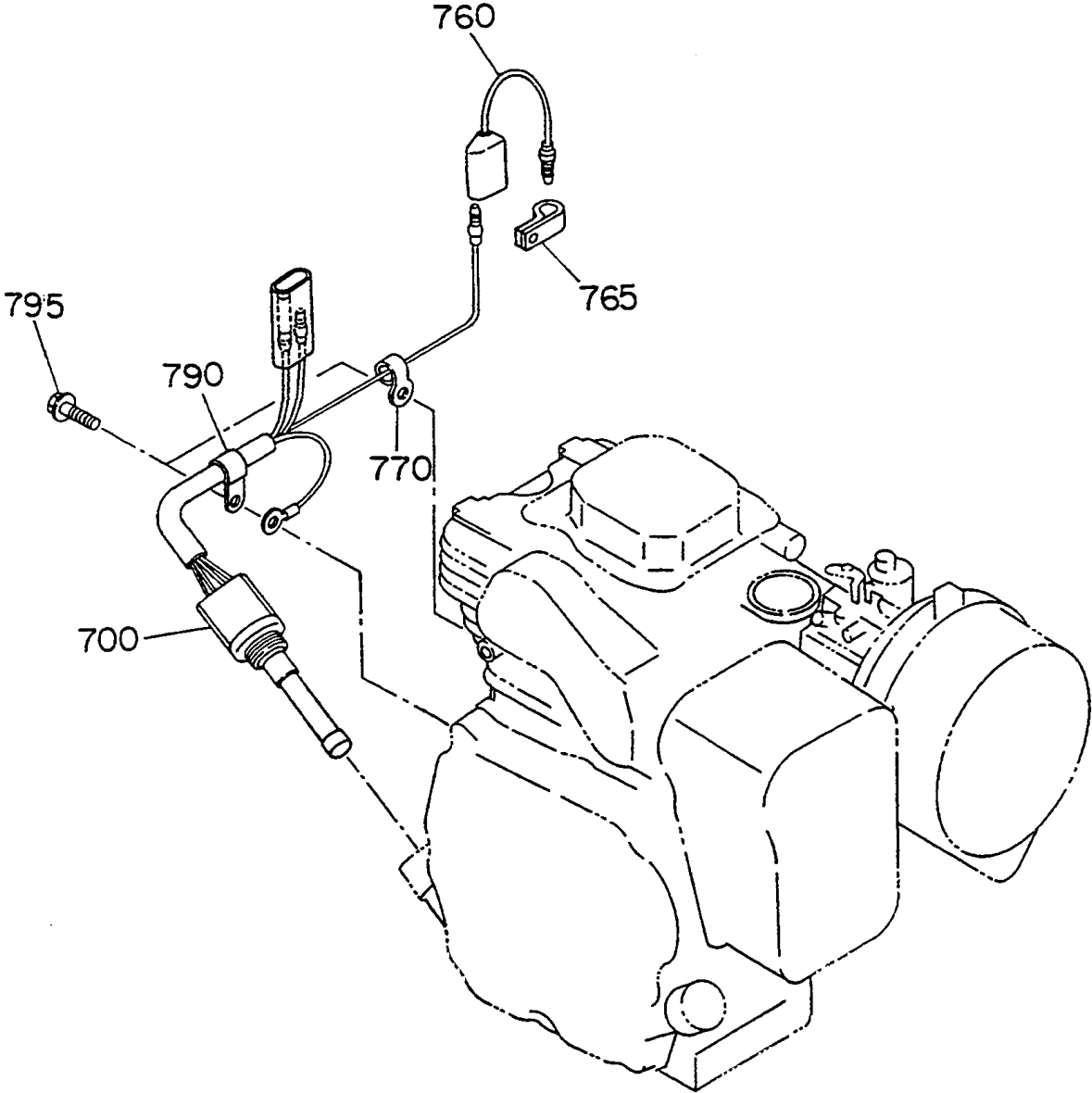
# ROBIN EH-17 ENGINE — ELECTRIC COIL ASSY. AND SPARK PLUG

## ELECTRIC COIL ASSY. AND SPARK PLUG

<u>NO.</u>	<u>PART NO.</u>	<u>PART NAME</u>	<u>QTY.</u>	<u>REMARKS</u>
10	2697934001	FLYWHEEL CP	1	
11	2697943001	IGNITION COIL CP	1	
12	2537967001	EXCITER COIL CP	1	
30	0011406250	BOLT & WASHER ASSY.	2	
35	0043506250	SCREW & WASHER ASSY.	2	
60	0660000361	SWITCH ASSY.	1	
70	0150040090	TAPPING SCREW	2	
80	0241080010	GROMMET	1	
90	0566120050	CLAMP	1	
95	0659000010	PLUG TERMINAL	1	
100	0650140150	SPARK PLUG	1	BR6HS
110	0655000140	SPARK PLUG CAP	1	
175	2247700201	WIRE CLAMP CP	1	
176	0110060010	FLANGE BOLT	1	

# ROBIN EH-17 ENGINE — OIL SENSOR ASSY.

OIL SENSOR ASSY.



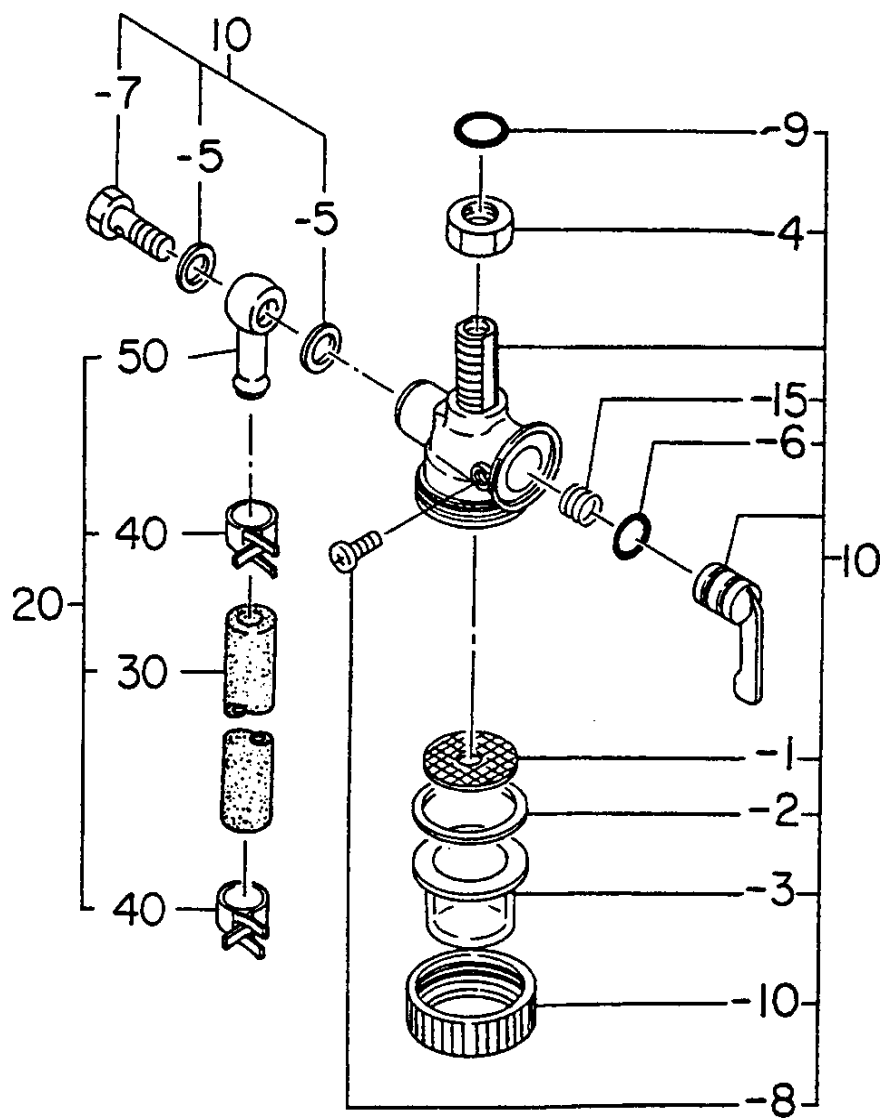
## ROBIN EH-17 ENGINE — OIL SENSOR ASSY.

### OIL SENSOR ASSY.

<u>NO.</u>	<u>PART NO.</u>	<u>PART NAME</u>	<u>QTY.</u>	<u>REMARKS</u>
700	KS31102301	OIL SENSOR CP 14	1	
760	2147312201	WIRE 22 CP	1	
765	2067550101	CLAMP CP	1	
770	2077500101	CLAMP CP	1	
790	2147900301	CLAMP CP	1	
795	0011008160	BOLT & WASHER ASSY.	3	

# ROBIN EH-17 ENGINE — FUEL STRAINER

FUEL STRAINER ASSY.



## ROBIN EH-17 ENGINE — FUEL STRAINER

### FUEL STRAINER ASSY.

<u>NO.</u>	<u>PART NO.</u>	<u>PART NAME</u>	<u>QTY.</u>	<u>REMARKS</u>
10	0642008900	FUEL STRAINER ASSY. ....	1 .....	INCLUDES ITEMS W/# REPLACES 0605510024
10-1#	0642000220	FILTER	1	
10-2#	0642000230	GASKET	1	
10-3#	0642001910	CUP (NYLON)	1	
10-4#	0642002360	LOCK NUT	1	
10-5#	0642000250	GASKET	2	
10-6#	0642000330	O--RING	1	
10-7#	0642000240	BANJO BOLT	1	
10-8#	0642002790	LOCK BOLT	1	
10-9#	0642000330	O--RING	1	
10-10#	0642002410	LOCK NUT	1	
10-15#	0642003230	SPRING	1	
20	2696260401	FUEL PIPE 4 CP .....	1 .....	INCLUDES ITEMS W/*
30*	2696800403	RUBBER PIPE	1	
40*	0561110020	HOSE CLAMP	2	
50*	0521070042	BANJO	1	