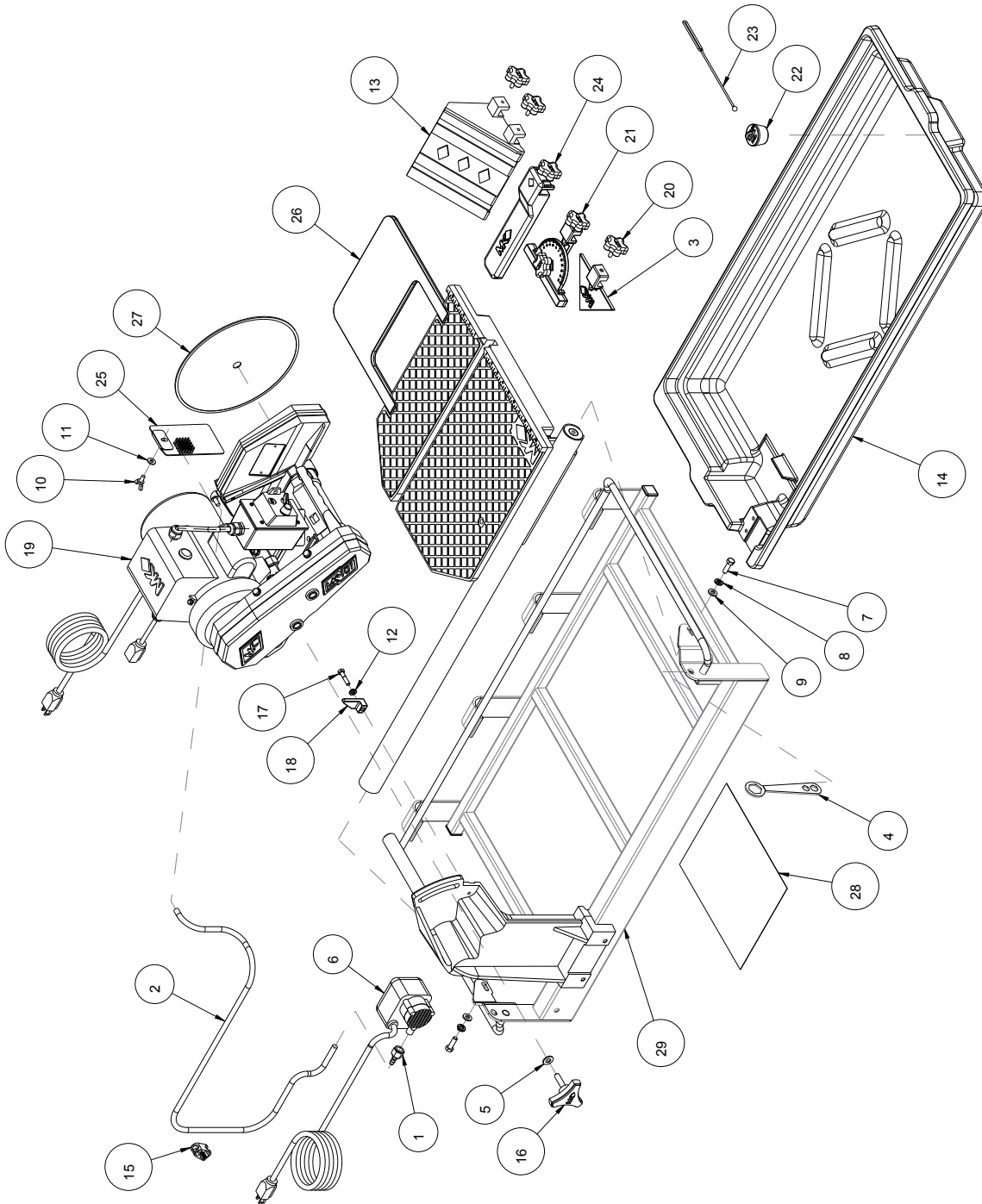


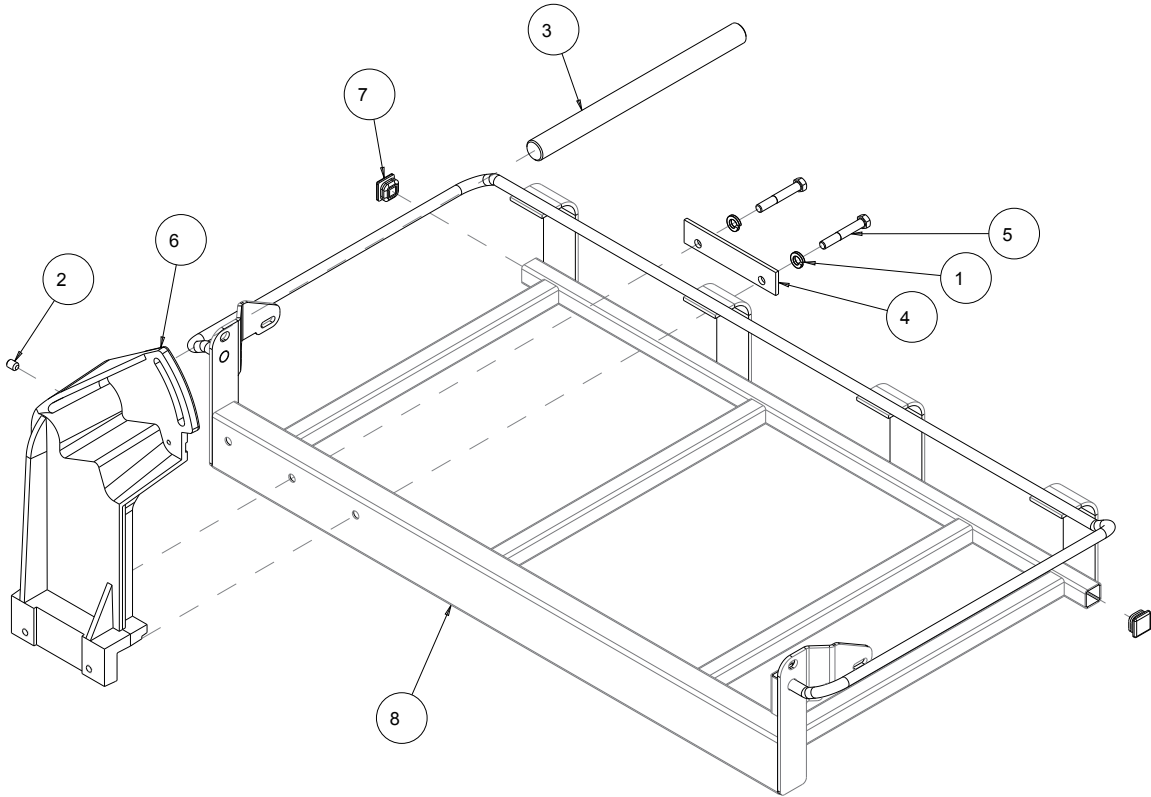
MK101 PRO-24 ASSY. TILE SAW P/N 153243



MK101 PRO-24 ASSY. TILE SAW P/N 153243

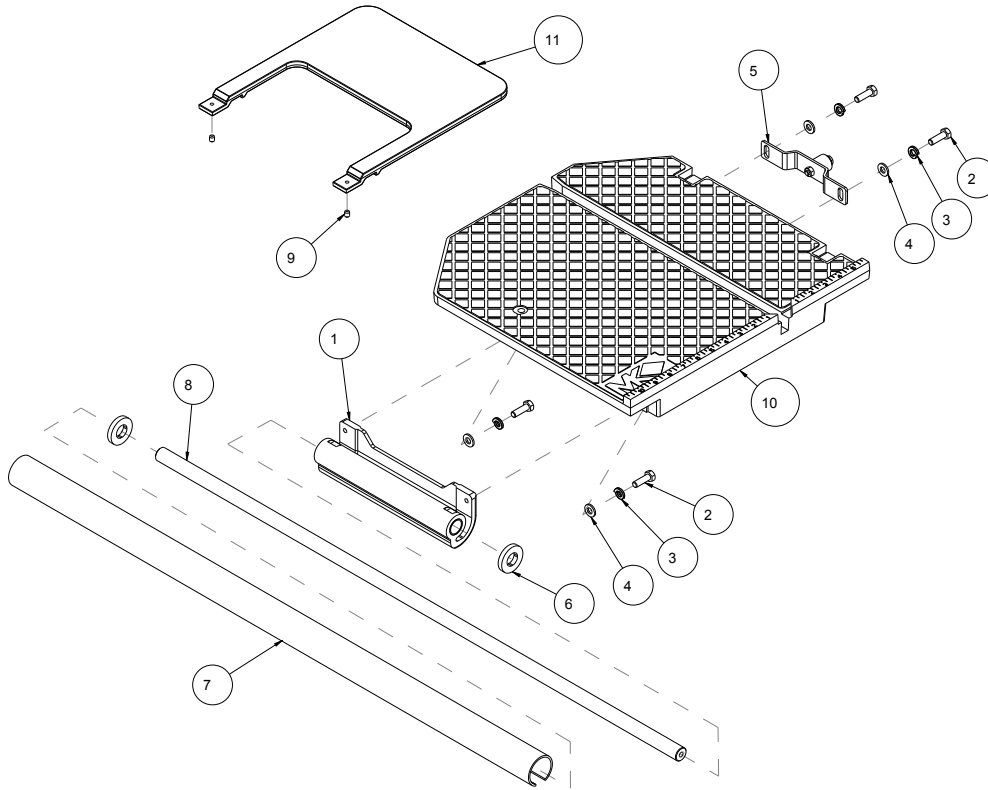
ITEM	DESCRIPTION	PART #	QTY
1	ADAPTER, PUMP TPF-22 1/4 X 1/4	128397	1
2	HOSE, VINYL 1/4 X 3/8 (6.0')	132951	1
3	CASTING, ACC DUAL FLAT - COMP	134577	1
4	WRENCH, TILE SAW NUT 15/16	134684	1
5	WASHER, FLAT, SAE, 3/8	150923	1
6	PUMP, WATER 115V/60HZ UL/CSA	151271	1
7	SCREW, HEX HD, 5/16 - 18 X 1	151743	2
8	WASHER, LOCK, SPLIT, 5/16	151747	2
9	WASHER, FLAT, SAE, 5/16	151754	2
10	SCREW, WING, 1/4 - 20 X 1/2	151888	1
11	WASHER, FLAT, SAE, 1/4	151915	1
12	WASHER, LOCK, SPLIT, 1/4	152591	1
13	CASTING, ACC BULLNOSE LRG - COMP	153201	1
14	PAN, WATER	153262	1
15	CLAMP, HOSE, 1/4 - 1/2 FLOW	154394	1
16	KNOB, TRI PLASTIC MK-660 1 -1/2	156770-02	1
17	SCREW HEX HD 1/4 - 20 X 1 - 1/4	157145	1
18	STOP, CUTTING HEAD	157728	1
19	ASSY, DC CUTTING HD, MK-101PRO	158481	1
20	KNOB, RUBBER, 1/4 - 20 X 3/4" LONG	159428-1	3
21	PROTRACTOR, 90 DEG	159429	1
22	DRAIN PLUG, W/RING	159529	1
23	STRAP, 9" DRAIN PLUG	159530	1
24	RIP GUIDE, LARGE DIE CAST	159751	1
25	GUARD, SPLASH	160310	1
26	ASSY, TABLE, PRO-24	160378	1
27	MK-225 10 X 050 X 5/8 4MM SAWS	160593	1
28	ASSY, WARNING LABELS, TILE SAW	166012	1
29	ASSY, FRAME AND POST, 101 PRO24	170477	1

MK101 PRO-24 ASSY. FRAME P/N 170477



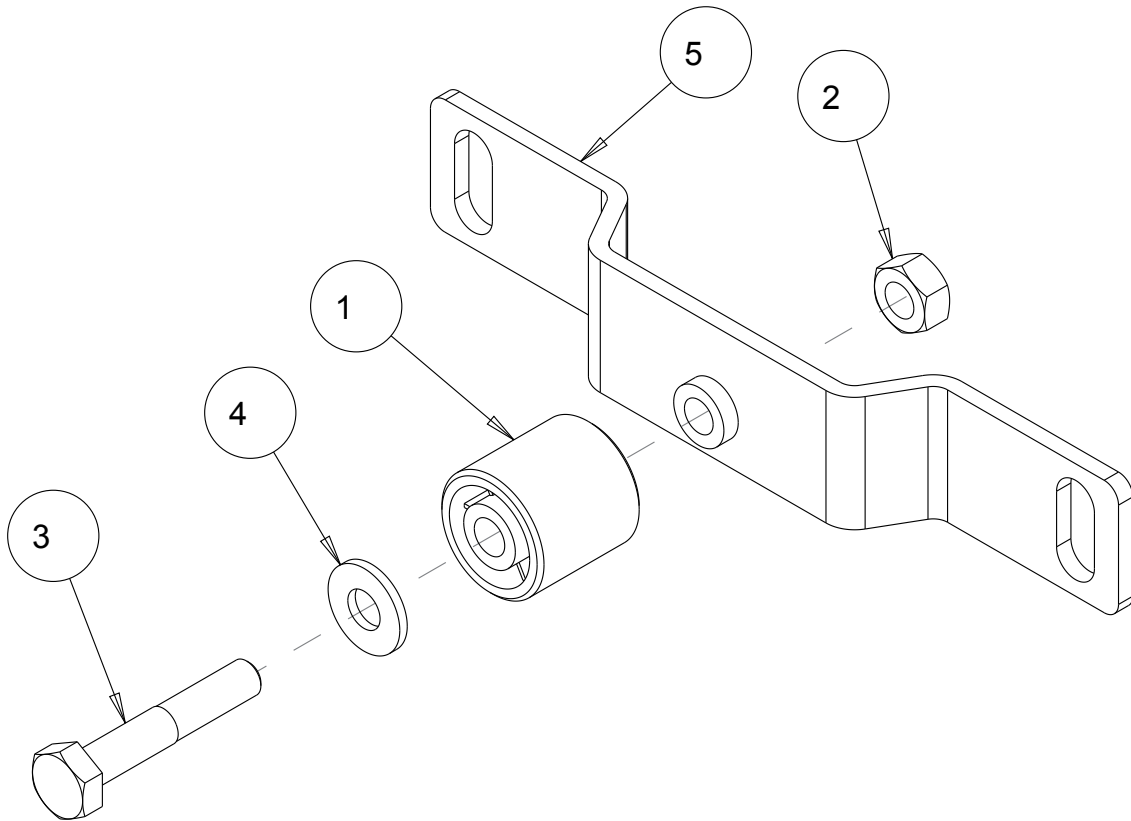
ITEM	DESCRIPTION	PART #	QTY
1	WASHER, LOC, SPLIT, 3.8	150925	2
2	SCREW, SET, SOC, CUPT, 3.8 - 16 X 1/2	153710	1
3	SHAFT, 12.88 PIVTO	155530	1
4	PLATE, PRESSURE	155671	1
5	SCREW, 3/8 -16 X 2 - 1/2 HEX HEAD CAP	156030	2
6	CASTING, POST, PRO24 OFFSET-COMP	158405	1
7	PLUG, PLASTIC, 1 SQ - 14 -20 GA	160727-1	2
8	FRAME, 10" TILE SAW, 24" RIP	168021-24	1

MK101 PRO-24 ASSY. TABLE P/N 160378



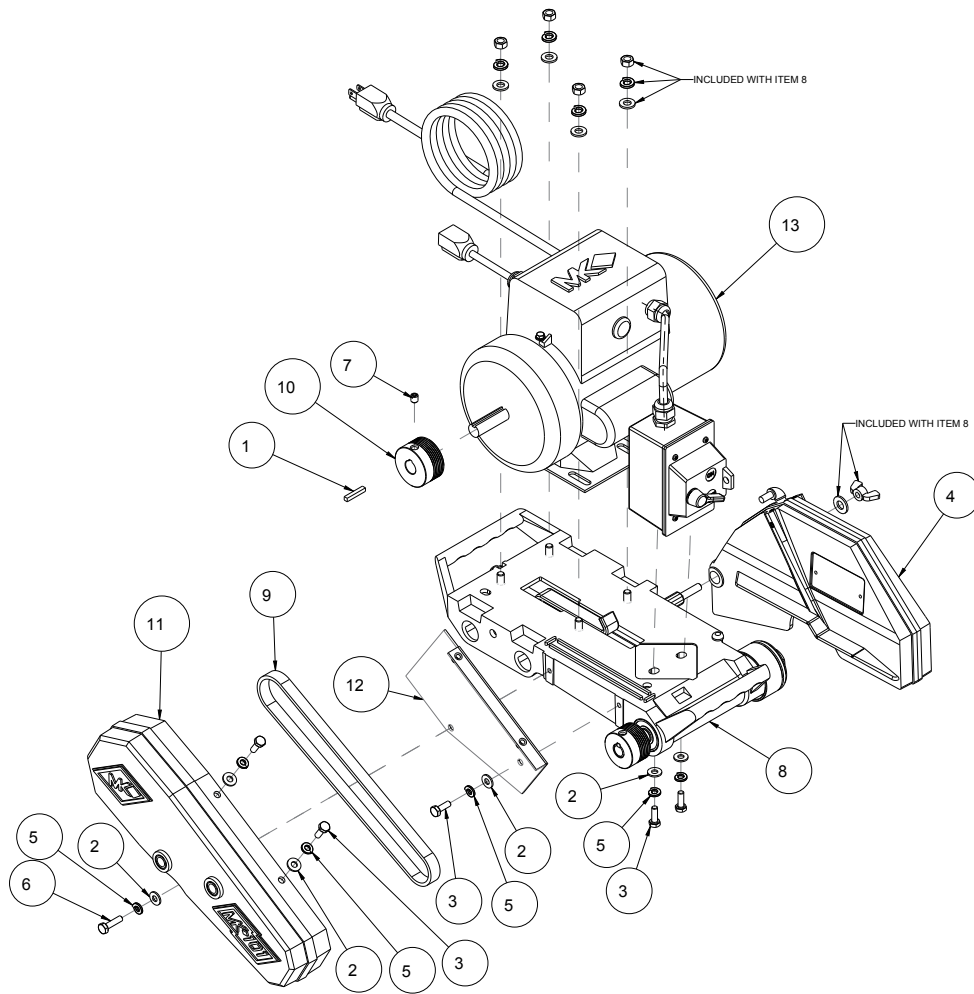
ITEM	DESCRIPTION	PART #	QTY
1	CASTING, 101/990 LNR BRG MT - COM	135855	1
2	SCREW, HEX HD, 5/16 - 18 X 1	151743	4
3	WASHER, LOCK, SPLIT, 5/16	151747	4
4	WASHER, FLAT, SAE, 5/16	151754	4
5	ASSY, WHEEL BRKT TSAW	151756	1
6	SPACER, GUIDE BAR COVER, COMMON	152393	2
7	COVER, 3/4 X 37 GUIDE BAR	153219	1
8	BAR, 3/4 X 37 LINEAR GUIDE, 101	153492	1
9	SCREW, 1/4 - 20 X 5/16 SOCKET HEAD SET	154226	2
10	CAST, TABLE, PRO24, OVRMLD - COMP	161182	1
11	TABLE, EXTENSION (COMP)	162075	1

MK101 PRO-24 ASSY. WHEEL BRACKET P/N 151756



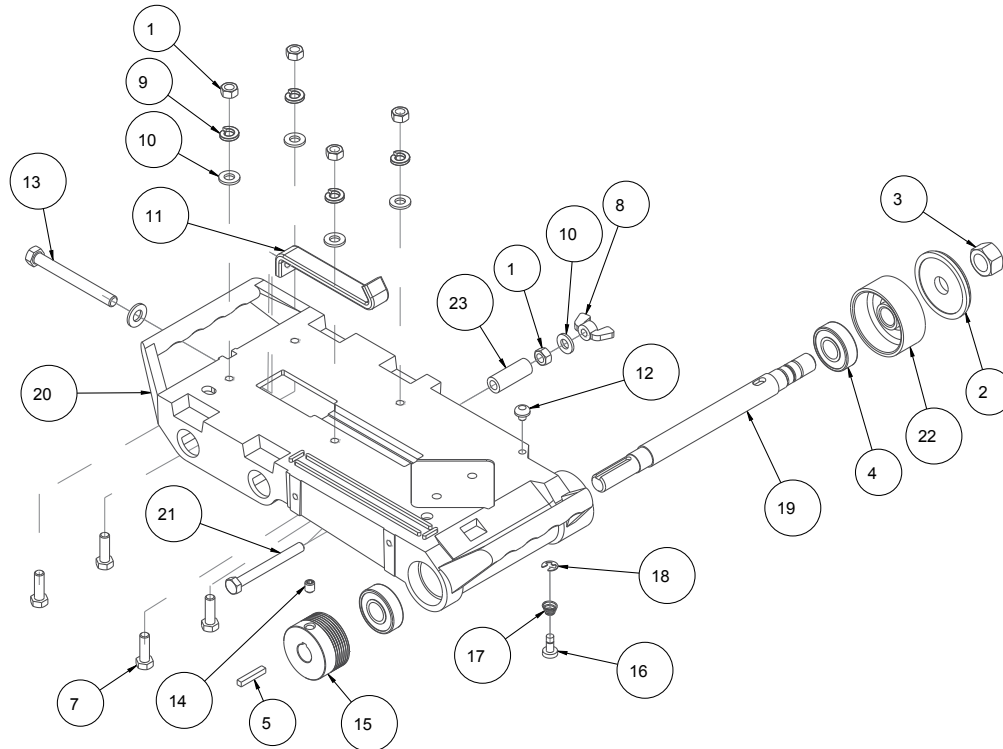
ITEM	DESCRIPTION	PART #	QTY
1	WHEEL, ROLLER TSAW	151799	1
2	NUT, HEX, 1/4 - 20	151893	1
3	SCREW, HEX HEAD 1/4 - 20 X 1 - 1/2	151914	1
4	WASHER, FLAT, SAE, 1/4	151915	1
5	BRACKET, ROLLER WHEEL	154021	1

MK101 PRO-24 ASSY. CUTTING HEAD P/N 158481



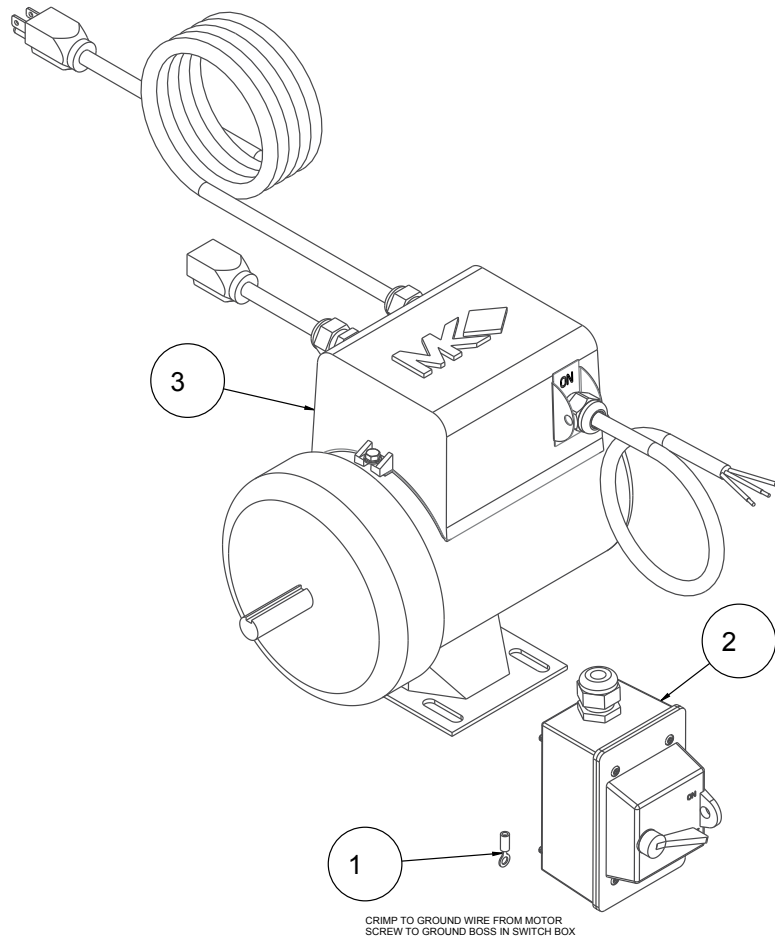
ITEM	DESCRIPTION	Part #	Qty
1	KEY, 3/16 SQ X 1 -1/8	150344	1
2	WASHER, FLAT, SAE, 1/4	151915	6
3	SCREW, HEX HD, 1/4 - 20 X 3/4	152370	5
4	ASSY, BLADE GUARD, 101	152582	1
5	WASHER, LOCK, SPLIT, 1/4	152591	6
6	SCREW, HEX HD TAP, 1/4 - 20 X 1	152676	1
7	SCREW, 5/16 - 18 X 3/8 SOCKET HEAD SET	157083	1
8	ASSY, SUB, CTTG HEAD MK-101	158191	1
9	BELT, 6J260	158194	1
10	PULLEY, 6J19 X 5.8 BORE	158199	1
11	CASTING, 101 BELT GUARD - COMP	158319-01	1
12	BRACKET, INNER BELTGUARD	158611	1
13	ASSY, MTR 1.5HP, 120V, 60 HZ	160486	1

MK101 PRO-24 ASSY. SUB. CUTTING HEAD P/N 158191



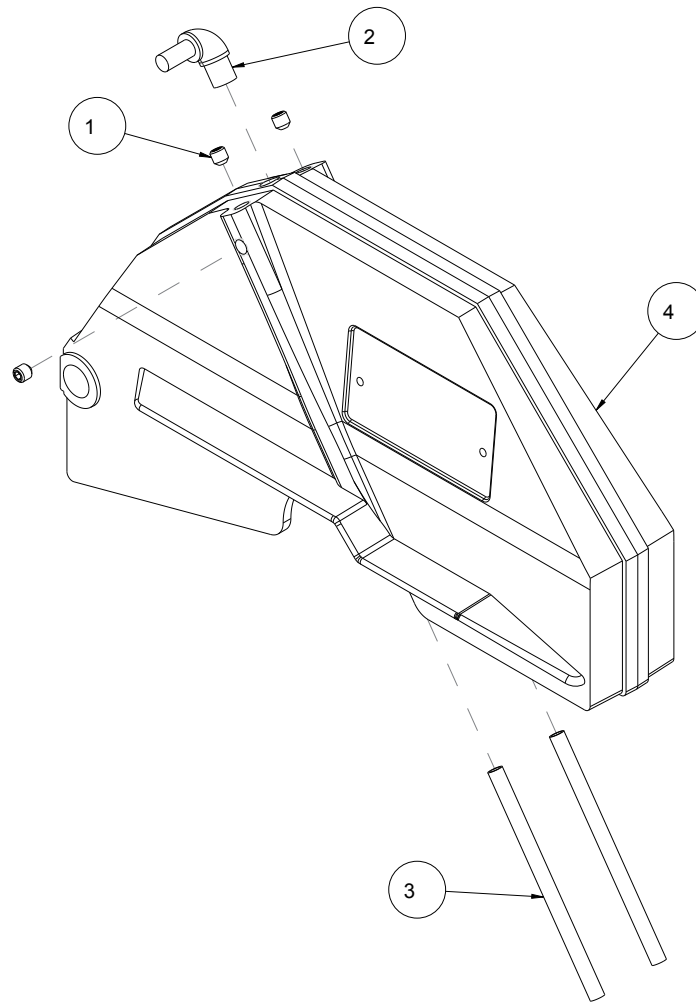
ITEM #	DESCRIPTION	PART #	QTY.
1	NUT, HEX, 5/16 - 18	101196	5
2	FLANGE, OUTER, 2 - 3/8	135830	1
3	NUT, HEX, 5/8-18	135848	1
4	BEARING, BALL, 17X40X12MM	137711	2
5	KEY, 3/16 SQ X 1-1/8	150344	1
6	WASHER, FLAT, SAE, 3/8	150923	1
7	SCREW, HEX HD, 5/16-18X1	151743	4
8	NUT, WING, NYLK, 5/16-18	151746	1
9	WASHER, LOCK, SPLIT, 5/16	151747	4
10	WASHER, FLAT, SAE, 5/16	151754	5
11	STRAP, 1 INCH, MOTOR ADJ.	152673	1
12	BUMPER, RUBBER, 1/2 DIA	152674	1
13	BOLT, 3/8-16 X 3-1/2 HEX HEAD TAP	153147	1
14	SCREW, 5/16-18 X 3/8 SOCKET HEAD SET	157083	1
15	PULLEY, 6J19 X 5/8 BORE	158199	1
16	BUTTON, SHAFT LOCK	158200	1
17	SPRING, BLADE SHAFT LOCK	158201	1
18	RING, 1/4 E-STYLE RETAINING	158202	1
19	SHAFT, BLADE	158222	1
20	CASTING, 10" CTTG HEAD - COMP	158224	1
21	SCREW, HEX HD, TAP, 5/16-18X3	162473	1
22	FLANGE, Ø 2-3/8 INNER	162758	1
23	SPACER, 9/16X5/16X1.5, PLAS	170824	1

MK101 PRO-24 MOTOR P/N 160486



ITEM	DESCRIPTION	Part #	Qty
1	TERMINAL, 16 - 14 X #10 RING PI	152465	1
2	ASSY, SWITCH BOX, 30AMP, LTF1/2	172836-1	1
3	MTR, 1-1/2HP, 115V, SBOX, GRN	169223G	1

MK101 PRO-24 ASSY. BLADE GUARD P/N 152582



ITEM	DESCRIPTION	Part #	Qty
1	SCREW, 5/16 - 18 X 1/2 SOCKET HEAD SET	152607	3
2	ELBOW, 1/8 MNPT X 1/4 BARB 90DEG	154652	1
3	TUBE, WATER	155389	2
4	CASTING, 101 BLD GUARD-DC-COMP	162481	1

ACCESSORIES

ITEM	NUMBER	DESCRIPTION	
1.	137166	MK-200, 10 x 5/8 Arbor Premium grade Diamond Blade for smooth, chip-free cutting on tile.	
2.	128074	MK-215, 10 x 5/8 Arbor Supreme grade diamond blade for hard materials	
3.	153252	MK-315, 10 x 5/8 Arbor Supreme super hi-rim diamond blade	
4.	134577-MK	Dual 45° Flat Angle Guide	
5.	153201-MK	45° Bullnose Miter	
6.	134569-MK	90° Protractor	
7.	152792	Dressing Stone	
8.	152610	Ground Fault Circuit Interrupter	
9.	169658	Saw Tent	