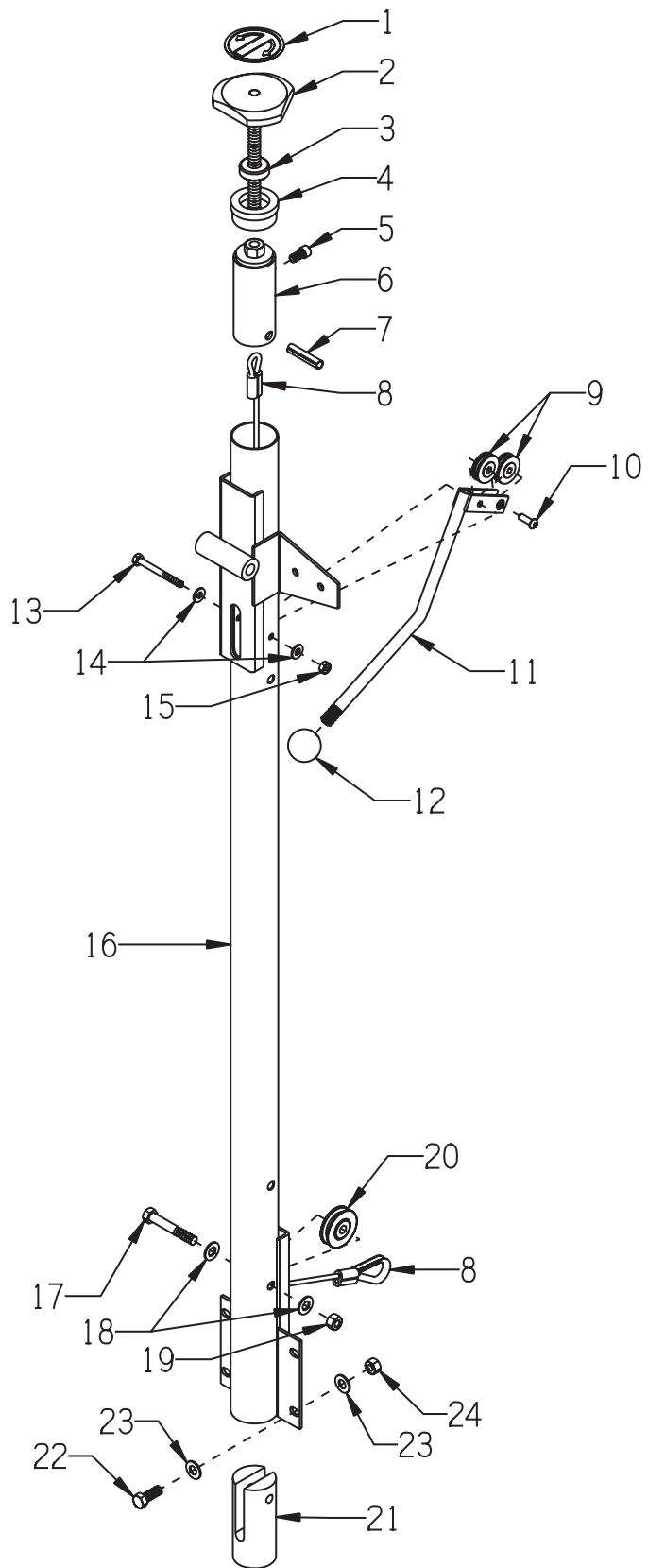
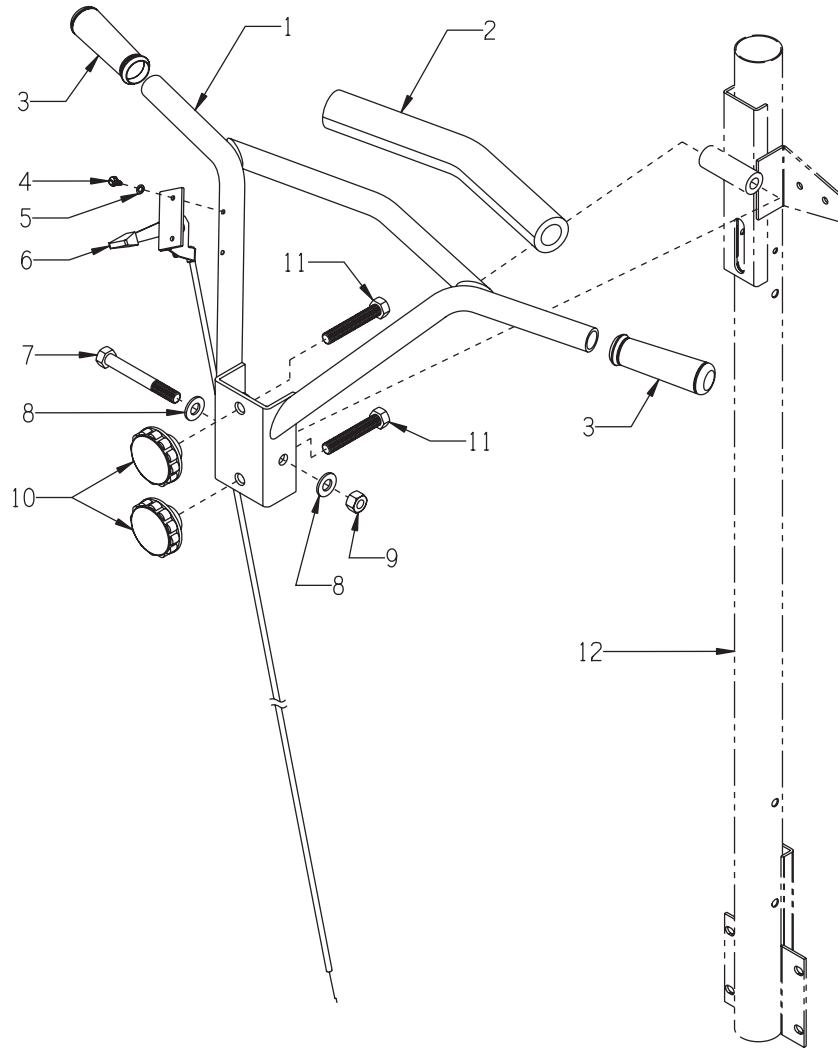


ILLUSTRATION 1: HANDLE BAR, PITCH LEVER & CONTROL KNOB GROUPING



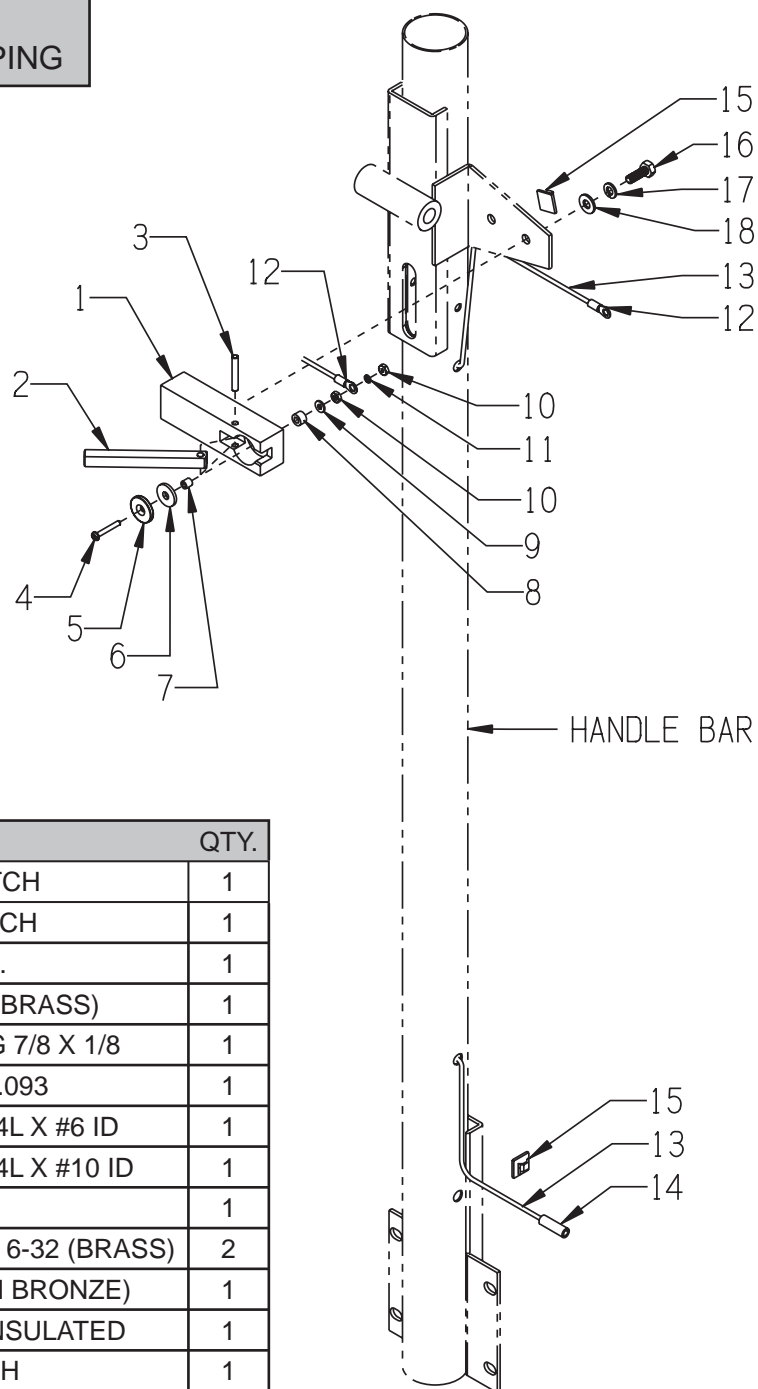
**PARTS LISTING - ILLUSTRATION 1 :
HANDLE BAR, PITCH LEVER & CONTROL KNOB GROUPING**

ITEM #	PART #	DESCRIPTION	QTY.
1	3661	DECAL, BLADE ANGLE - FLAT/TILT	1
2	49014	KNOB, CONTROL W/ 1/2-13 X 6-3/4"ROD	1
3	3642	BEARING, THRUST BALL 1/2	1
4	36078	HANDLE TOP INSERT	1
5	11639	SCREW, SKT. HD. CAP 5/16-18 X 5/8	1
6	36080	LINKAGE	1
7	10063	PIN, ROLL 3/8 X 2	1
8	36082	CABLE, CONTROL 3/16 X 51"L	1
	4610	CABLE, THIMBLE 3/16"	1
	3618	SLEEVE, NICROPRESS DOUBLE 3/16"	2
9	14082	PULLEY BEARING 1-1/4DIA. X 1/4BORE	2
10	10884	SCREW, SKT. BUTTON HD. 1/4-20 X 3/4	1
11	36081	LEVER, PITCH	1
12	14023	KNOB, BALL 1-3/8 W/ 1/2-13THD, BLK.	1
13	11658	SCREW, CAP 1/4-20 X 2-3/4 (CUT 2-1/2"L)	1
14	10602	WASHER, FLAT 1/4 SAE	2
15	10150	NUT, HEX NYLON LOCK 1/4-20	1
16	36070	HANDLE BAR	1
17	10393	SCREW, CAP 3/8-24 X 2-1/2	1
18	10025	WASHER, FLAT 3/8 SAE	2
19	10058	NUT, LOCK 3/8-24 W/ NYLON PATCH	1
20	3621	PULLEY BEARING 1-3/4DIA. X 3/8BORE	1
21	36077	ROLLER GUIDE	1
22	10021	SCREW, CAP 3/8-24 X 1	4
23	10025	WASHER, FLAT 3/8 SAE	4
24	10004	NUT, LOCK 3/8-24	4

ILLUSTRATION 2 : ADJUSTABLE HANDLE BELLY BAR GROUPING


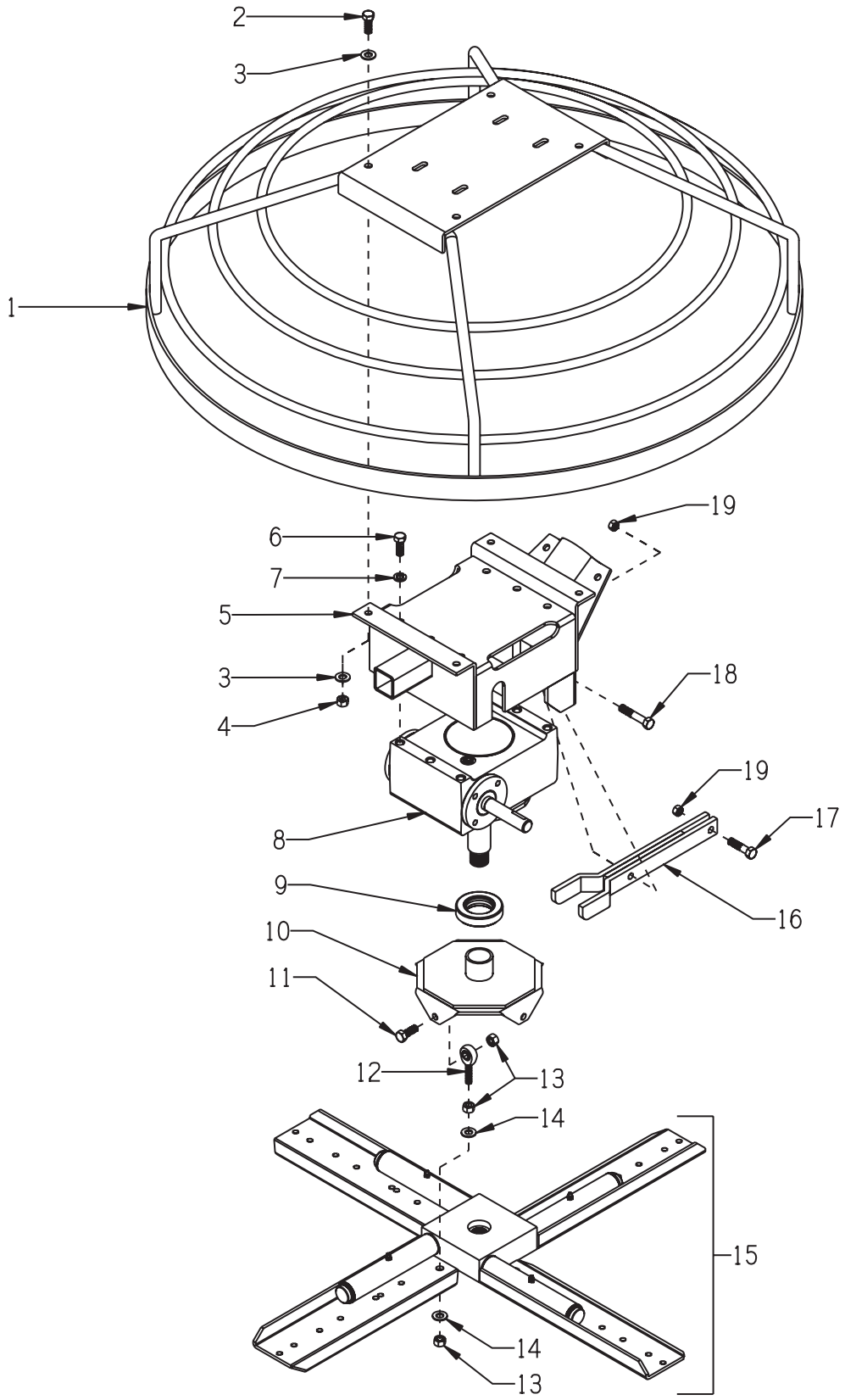
ITEM #	PART #	DESCRIPTION	QTY.
1	36071	HANDLE BELLY BAR, ADJUSTABLE	1
2	36083	PADDING, BELLY BAR	1
3	10608	GRIP, HAND 1" MODEL AT	2
4	10877	SCREW, CAP STSHW 10-24 X 1/2	2
5	10038	WASHER, LOCK 1/4	2
6	36012A	CABLE, THROTTLE CONTROL 54", TROWEL	1
7	81001	SCREW, CAP 1/2-13 X 4	1
8	10312	WASHER, FLAT 1/2 SAE	2
9	10155	NUT, HEX NYLON LOCK 1/2-13	1
10	36063	KNOB, FLUTED 1/2-13 X 2-1/2"DIA.	2
11	10340	BOLT, TAP 1/2-13 X 3 (FULL THREAD)	2
12	36070	HANDLE BAR (REF. TO ILLUS. 1, ITEM 16)	1

**ILLUSTRATION 3 :
SAFETY STOP SWITCH GROUPING**



ITEM #	PART #	DESCRIPTION	QTY.
1	36073	BLOCK, SAFETY STOP SWITCH	1
2	36074	LEVER, SAFETY STOP SWITCH	1
3	36035	PIN, DOWEL 3/16 X 1-1/4 S.S.	1
4	10389	SCREW, MACHINE 6-32 X 1 (BRASS)	1
5	36064	MAGNET, NEODYMIUM RING 7/8 X 1/8	1
6	15187	WASHER, FIBER .75 X .25 X .093	1
7	36038	SPACER, NYLON 1/4OD X 1/4L X #6 ID	1
8	36037	SPACER, NYLON 3/8OD X 1/4L X #10 ID	1
9	36040	WASHER, FLAT #6 (BRASS)	1
10	36039	NUT, MACHINE SCREW HEX 6-32 (BRASS)	2
11	36041	WASHER, LOCK #6 (SILICON BRONZE)	1
12	11642	TERM., RING #6 16-14 GA. INSULATED	1
13	36090	WIRE, SAFETY STOP SWITCH	1
14	11568	CONNECTOR, LINE STD. 16-14GA.(BLUE)	1
15	36042	CLIP, NATURAL CORD, 1/8" X 1/4"	2
16	10018	SCREW, CAP 1/4-20 X 3/4	2
17	10038	WASHER, LOCK 1/4	2
18	10602	WASHER, FLAT 1/4 SAE	2

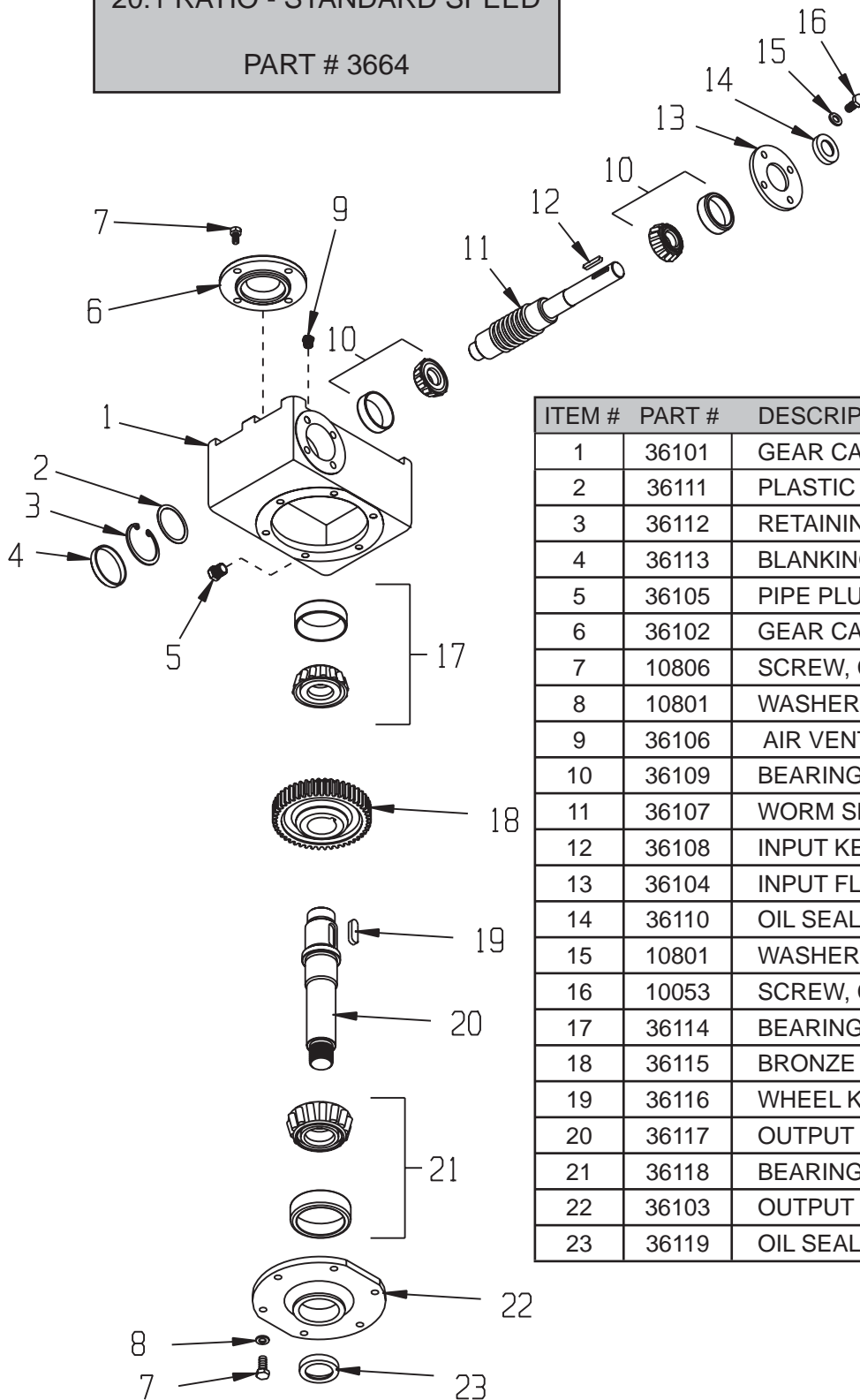
ILLUSTRATION 4 : FRAME, TRANSMISSION & SPIDER GROUPING



PARTS LISTING - ILLUSTRATION 4 :			
FRAME, TRANSMISSION & SPIDER GROUPING			
ITEM #	PART #	DESCRIPTION	QTY.
1	36065 36066 36067 36068	FRAME & GUARD RING 24" TROWEL 30" TROWEL 36" TROWEL 46" TROWEL	1
2	10021	SCREW, CAP 3/8-24 X 1 (HONDA GX120 & GX160 ONLY)	4
3	10025	WASHER, FLAT 3/8 SAE	8
4	10004	NUT, LOCK 3/8-24	4
5	36069	MOUNT, TRANSMISSION	1
6	10055	SCREW, CAP 3/8-16 X 1	6
7	10025	WASHER, FLAT 3/8 SAE	6
8	3664 3664-RS	TRANSMISSION (REFER TO ILLUS. 5 & 6 FOR BREAKDOWNS) 20:1 RATIO - STANDARD SPEED (140 RPM MODELS) 40:1 RATIO - REDUCED SPEED (70 RPM MODELS)	1
9	3609	BEARING, THRUST BALL 1-1/2"ID X 2-19/32"OD X 5/8"THK	1
10	3626 4603	PLATE, PITCH ADJUSTMENT 24, 30, & 36" TROWELS 46" TROWELS	1
11	10021 10322	SCREW, CAP SCREW, CAP 3/8-24 X 1 (24, 30, & 36" TROWELS) SCREW, CAP 1/2-20 X 2 (46" TROWELS, ON INSIDE)	4
12	3605 4805	ROD END, MALE 3/8-24 (24, 30, & 36" TROWELS, AS SHOWN) 1/2-20 (46" TROWELS, MOUNTED ON OUTSIDE)	4
13	10004 10205	NUT, LOCK 3/8-24 (24, 30, & 36" TROWELS) 1/2-20 (46" TROWELS)	12 16
14	10025 10312	WASHER, FLAT 3/8 SAE (24, 30, & 36" TROWELS) 1/2 SAE (46" TROWELS)	8
15	36084 36085 36086 36087 36093	SPIDER ASSEMBLY (REFER TO ILLUS. 7) 24" TROWEL (8-1/2" ARMS) 30" TROWEL (12" ARMS) 36" TROWEL (13" ARMS) 46" TROWEL (15-1/4" ARMS) 46" TROWEL (17-1/4" ARMS)	1
16	3625	FORK	1
17	10816	SCREW, CAP 3/8-24 X 1-1/2	1
18	10030	SCREW, CAP 3/8-24 X 2	1
19	10004	NUT, LOCK 3/8-24	2

**ILLUSTRATION 5:
TRANSMISSION ASSEMBLY
20:1 RATIO - STANDARD SPEED**

PART # 3664

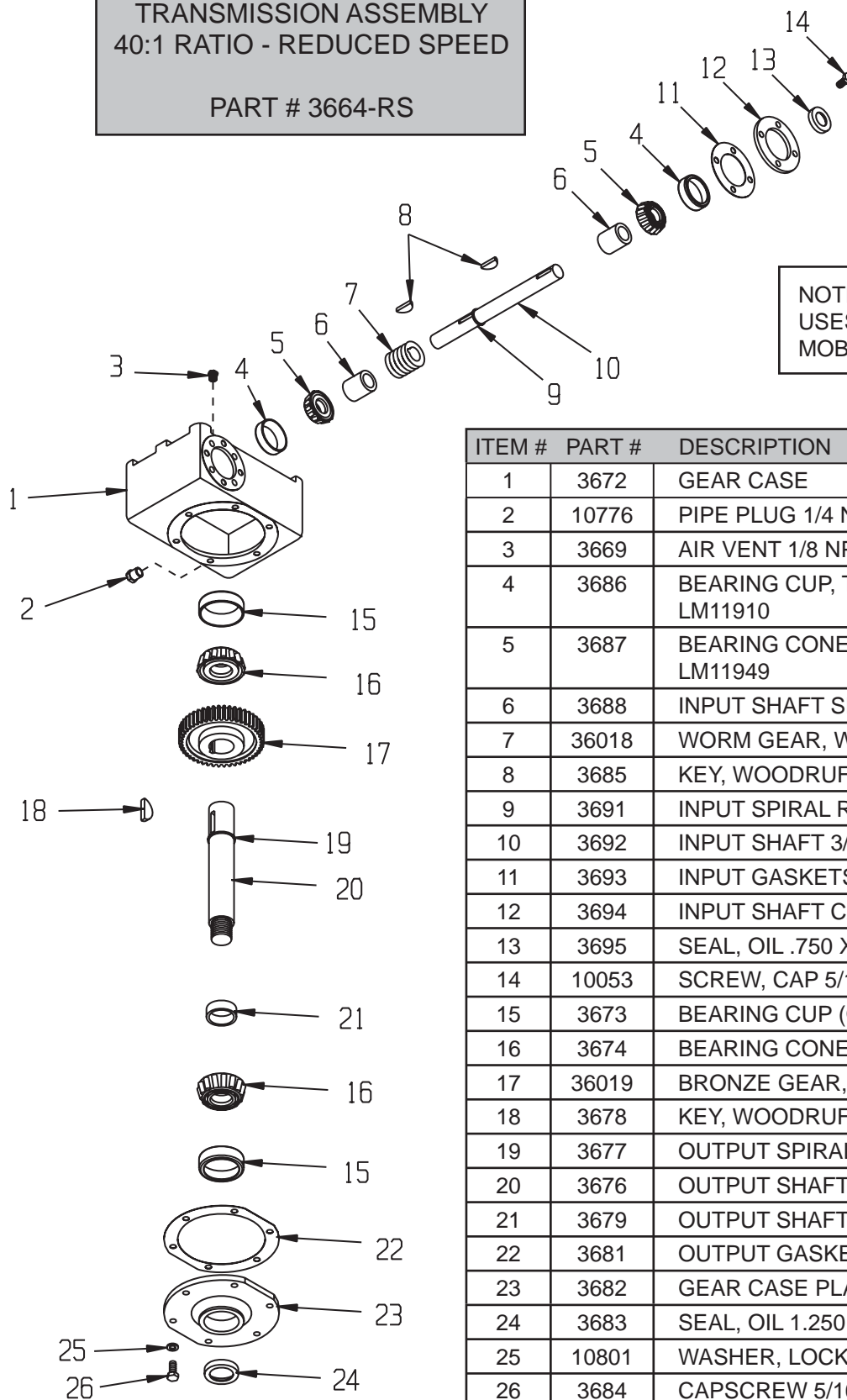


NOTE:
USES 16 OUNCES OF
MOBIL 634 GEAR OIL

ITEM #	PART #	DESCRIPTION	QTY.
1	36101	GEAR CASE (IPTS)	1
2	36111	PLASTIC SHIM (IPTS) *USE AS REQ'D.	*
3	36112	RETAINING RING, INT. 47MM	1
4	36113	BLANKING CAP (IPTS)	1
5	36105	PIPE PLUG 1/4NPT (IPTS)	1
6	36102	GEAR CASE TOP COVER (IPTS)	1
7	10806	SCREW, CAP 5/16-18 X 1	10
8	10801	WASHER, LOCK 5/16	6
9	36106	AIR VENT 1/4NPT (IPTS)	1
10	36109	BEARING, TAPERED ROLLER 30204A	2
11	36107	WORM SHAFT 20:1 (IPTS)	1
12	36108	INPUT KEY 3/16SQ X 1 (IPTS)	1
13	36104	INPUT FLANGE (IPTS)	1
14	36110	OIL SEAL, INPUT (IPTS)	1
15	10801	WASHER, LOCK 5/16	4
16	10053	SCREW, CAP 5/16-18 X 3/4	4
17	36114	BEARING, TAPERED ROLLER 30206A	1
18	36115	BRONZE WORM WHEEL 20:1 (IPTS)	1
19	36116	WHEEL KEY 10MM X 30MM (IPTS)	1
20	36117	OUTPUT SHAFT (IPTS)	1
21	36118	BEARING, TAPERED ROLLER 30207A	1
22	36103	OUTPUT FLANGE (IPTS)	1
23	36119	OIL SEAL, OUTPUT (IPTS)	1

**ILLUSTRATION 6:
TRANSMISSION ASSEMBLY
40:1 RATIO - REDUCED SPEED**

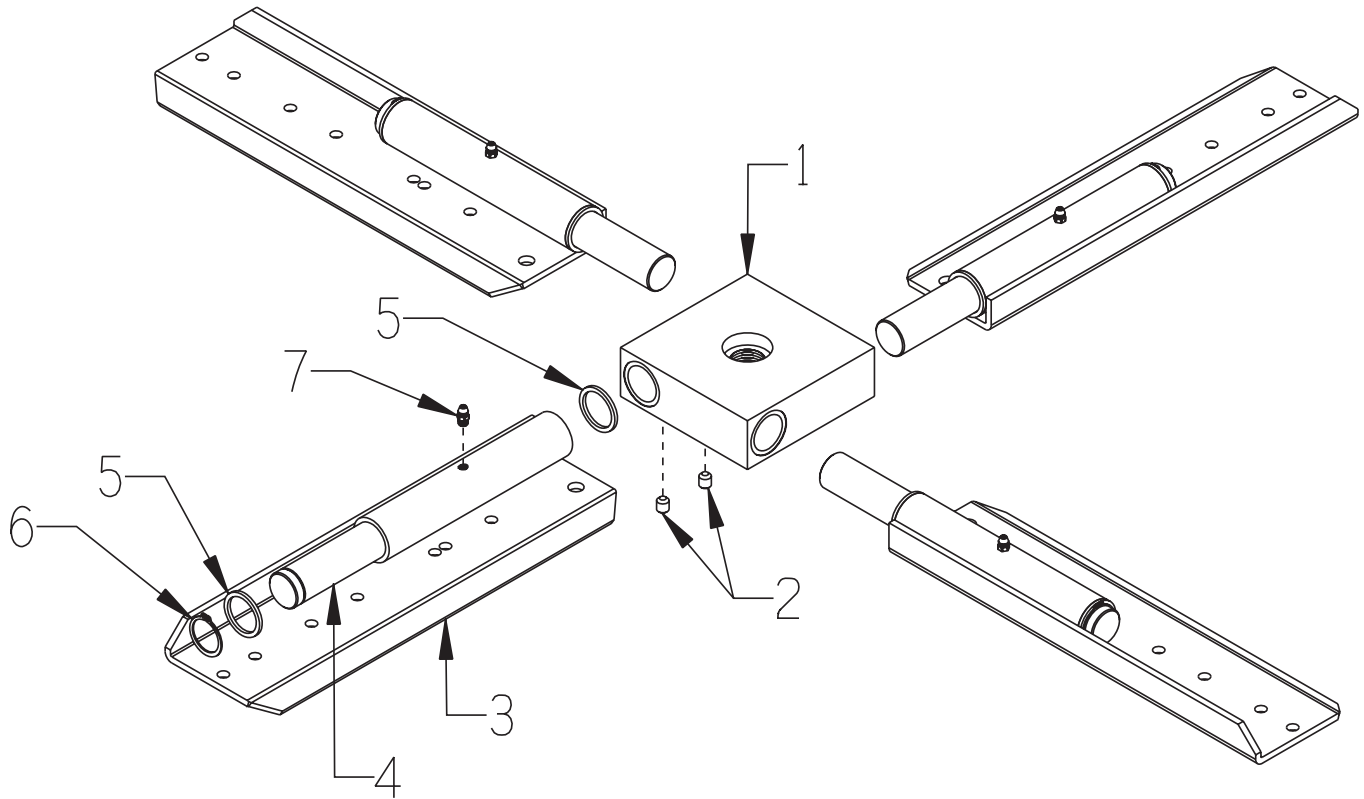
PART # 3664-RS



**NOTE:
USES 16 OUNCES OF
MOBIL 634 GEAR OIL**

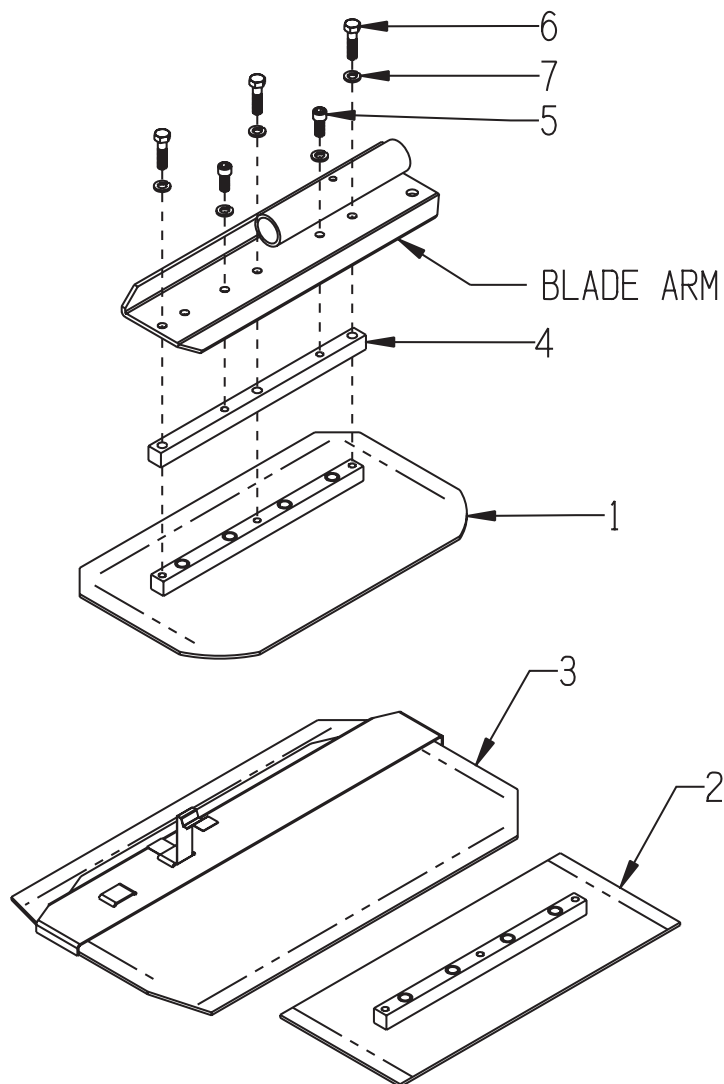
ITEM #	PART #	DESCRIPTION	QTY.
1	3672	GEAR CASE	1
2	10776	PIPE PLUG 1/4 NPT (BRASS)	1
3	3669	AIR VENT 1/8 NPT	1
4	3686	BEARING CUP, TAPERED ROLLER LM11910	2
5	3687	BEARING CONE, TAPERED ROLLER LM11949	2
6	3688	INPUT SHAFT SPACER	2
7	36018	WORM GEAR, W10A-1G X 3/4	1
8	3685	KEY, WOODRUFF 3/16 X 1 (#608)	2
9	3691	INPUT SPIRAL RING	1
10	3692	INPUT SHAFT 3/4 X 8-11/16	1
11	3693	INPUT GASKETS (SET OF 3)	1
12	3694	INPUT SHAFT CAP	1
13	3695	SEAL, OIL .750 X 1.375 X .250	1
14	10053	SCREW, CAP 5/16-18 X 3/4	4
15	3673	BEARING CUP (OUTPUT)	2
16	3674	BEARING CONE, OUTPUT	2
17	36019	BRONZE GEAR, GHU-40:1	1
18	3678	KEY, WOODRUFF 1/4 X 1-1/4 (#810)	1
19	3677	OUTPUT SPIRAL RING	1
20	3676	OUTPUT SHAFT	1
21	3679	OUTPUT SHAFT SPACER	1
22	3681	OUTPUT GASKETS (SET OF 3)	1
23	3682	GEAR CASE PLATE	1
24	3683	SEAL, OIL 1.250 X 1.686 X .375	1
25	10801	WASHER, LOCK 5/16	6
26	3684	CAPSCREW 5/16-18 X 7/8	6

ILLUSTRATION 7: SPIDER ASSEMBLY



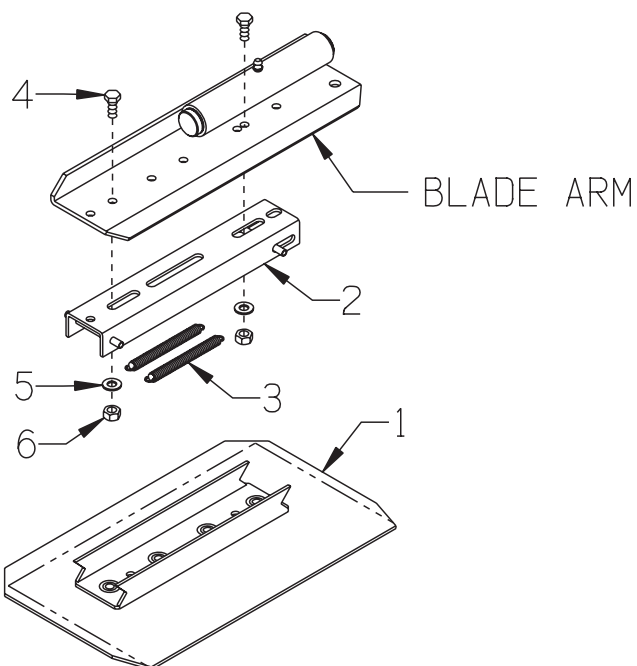
ITEM #	PART #	DESCRIPTION	QTY.
1	3637	HUB, 4 BLADE TROWEL	1
2	10052	SCREW, SET 5/16-18 X 3/8	8
3	2402 3666 36007 4618 4606	ARM, BLADE 8-1/2" ARM, 24" TROWEL ,BOLT-ON BLADES 12" ARM, 30" TROWEL, BOLT-ON OR QUICK-CHANGE 13" ARM, 36" TROWEL, BOLT-ON OR QUICK-CHANGE 15-1/4" ARM, 46" TROWEL, BOLT-ON BLADES 17-1/4" ARM, 46" TROWEL, QUICK-CHANGE BLADES	4
4	3635 4604	SHAFT, BLADE ARM 9-11/16"L SHAFT (24", 30", & 36" TROWEL) 13-15/16"L SHAFT (46" TROWEL)	4
5	3629	SPACER, COPPER THRUST 1-1/4"OD x 1-1/64"ID x 3/32"THK	4
6	10906	RETAINING RING, EXT. 1"	4
7	10808	FITTING, GREASE 1/4-28 STRAIGHT	4

ILLUSTRATION 10:
BOLT-ON BLADES & ADAPTER
FOR 36" TROWEL



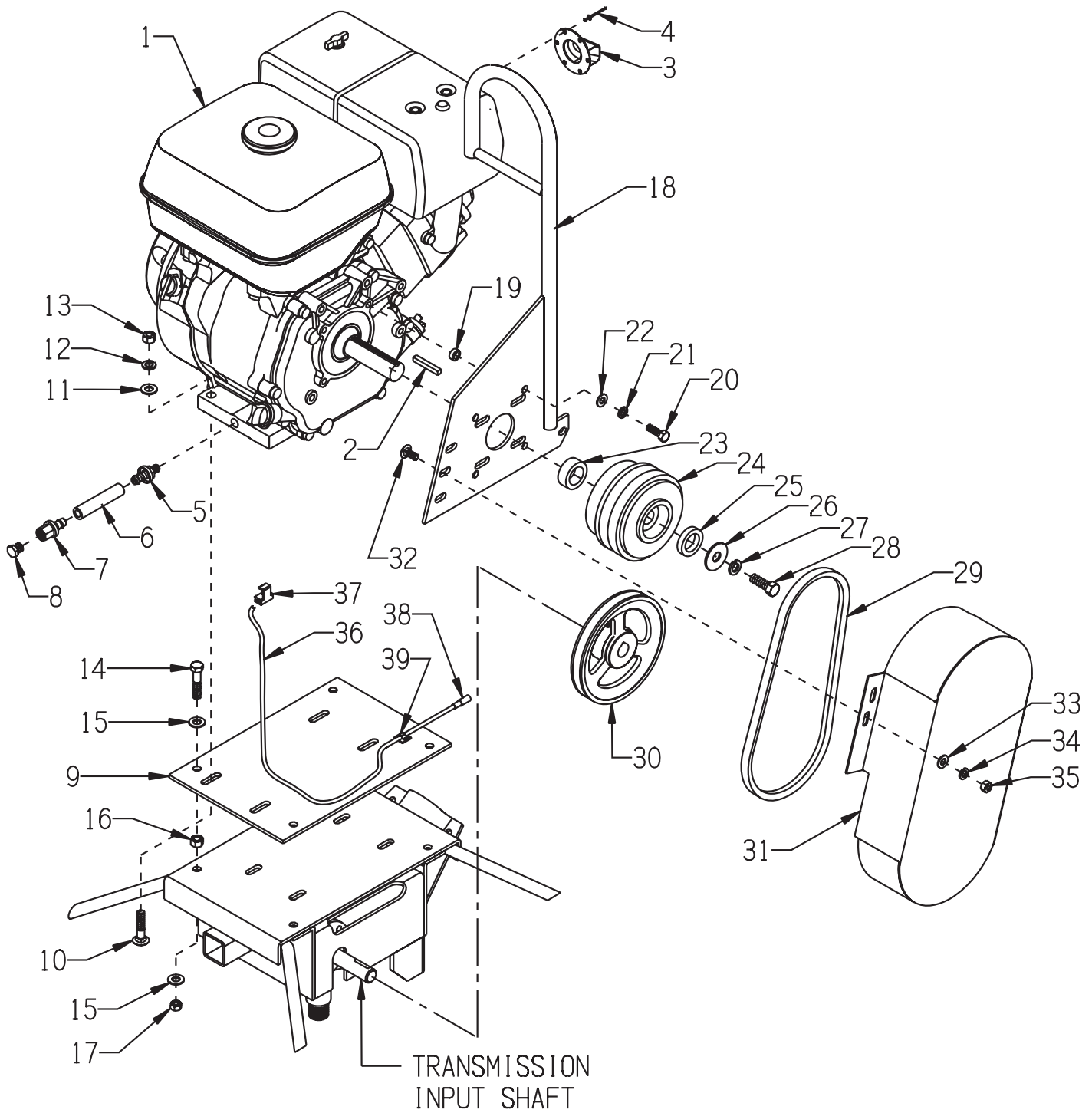
ITEM #	PART #	DESCRIPTION	QTY.
1	40040-C	C-1C COMBINATION TROWEL BLADE 8 X 14	4
2	40050-C	F-1C FINISH TROWEL BLADE 6 X 14	4
3	40060-CE	M-1CE FLOAT TROWEL BLADE 10 X 14 (SLIPS OVER FINISH BLADE)	4
4	36016	ADAPTER BAR 5/8"SQ. X 10-1/4"	4
5	11639	SCREW, SKT. HD. CAP 5/16-18 X 5/8	8
6	10606	SCREW, HEX HD. CAP 5/16-18 X 1-1/4	12
7	10801	WASHER, LOCK 5/16	20

**ILLUSTRATION 12:
OPTIONAL QUICK CHANGE BLADES & ADAPTERS
FOR 30", 36", & 46" TROWELS**



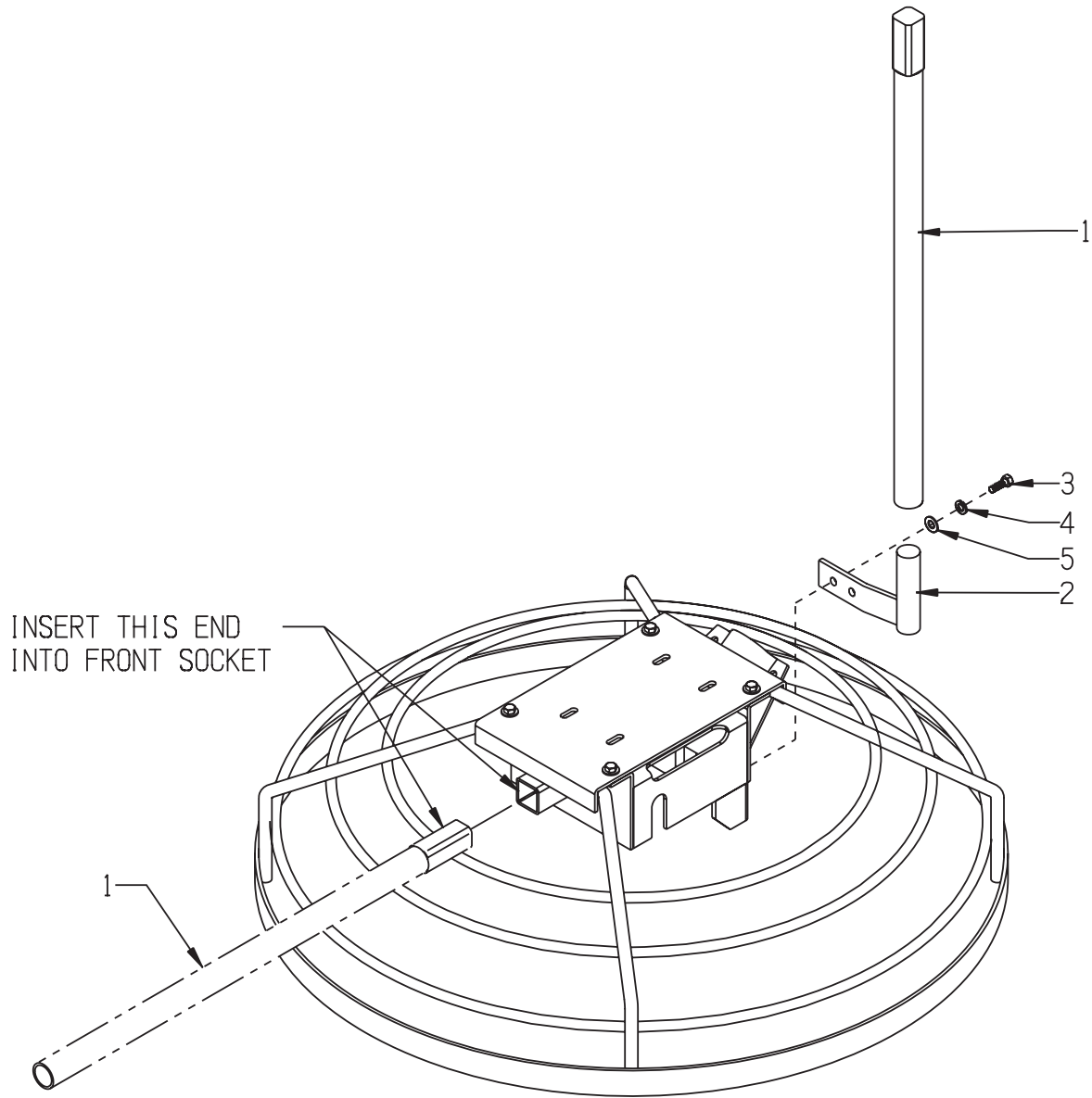
ITEM #	PART #	DESCRIPTION	QTY.
1	40270 40040 40070	COMBINATION BLADE (SHOWN) C-2, 8" x 11" C-1, 8" x 14" C-3, 8" x 18"	4
1	40290 40060 40090	FLOAT BLADE M-2, 9" x 11" M-1, 9" x 14" M-3, 9" x 18"	4
1	40280 40050 40080	FINISH BLADE F-2, 6" x 11" F-1, 6" x 14" F-3, 6" x 18"	4
2	40197 40237	ADAPTER COMPLETE (INCLUDES SPRINGS, ITEM 3) "A", 30" & 36" TROWEL, 10-1/16"L (SHOWN) "B", 46" TROWEL, 14-3/16"L	4
3	3636 4605	SPRING, EXTENSION 6"L ("A" ADAPTER) 11-1/2"L ("B" ADAPTER)	8
4	10053	SCREW, CAP 5/16-18 X 3/4	8/12
5	10213	WASHER, FLAT 5/16 SAE	8/12
6	10807	NUT, LOCK 5/16-18	8/12

ILLUSTRATION 16:
ENGINE GROUPING FOR HONDA GX270



PARTS LISTING - ILLUSTRATION 16 : ENGINE GROUPING FOR HONDA GX270			
ITEM #	PART #	DESCRIPTION	QTY.
1	15053	ENGINE, HONDA GX270UT-QA2 D.E.A.C.	1
2	-----	KEY 1/4SQ. (INCLUDED W/ ENGINE)	1
3	10625	MUFFLER CAP, HONDA #18331-ZE3-811	1
4	10128	RIVET, BLIND 1/8 X .250L X .262HD	2
5	11542	BARB, PUSH-ON 3/8HOSE X 12MM X 1.50	1
6	56116	HOSE, PUSH-ON 3/8"ID X 3"L	1
7	11544	BARB, PUSH-ON 3/8 HOSE X 1/4FPT	1
8	10776	PIPE PLUG 1/4 NPT (BRASS)	1
9	36088	MOUNT, HONDA GX270 ENGINE	1
10	10087	BOLT, CARRIAGE 3/8-16 X 1-3/4 F.T.	4
11	10025	WASHER, FLAT 3/8 SAE	4
12	10811	WASHER, LOCK 3/8	4
13	10404	NUT 3/8-16	4
14	10029	SCREW, CAP 3/8-24 X 1-3/4	4
15	10025	WASHER, FLAT 3/8 SAE	8
16	10014	NUT 3/8-24	4
17	10004	NUT, LOCK 3/8-24	4
18	36079	BAIL, LIFTING, GASOLINE TROWEL	1
19	10011	SPACER, STEEL 5/8OD X 3/8ID X 3/8T	4
20	10048	SCREW, CAP 5/16-24 X 3/4	4
21	10801	WASHER, LOCK 5/16	4
22	10213	WASHER, FLAT 5/16 SAE	4
23	36048	SPACER, CLUTCH INNER 1-1/2"OD x 1"ID x 9/16"THK	1
24	36002	CLUTCH, CENTRIFUGAL 4.75 X 1"BORE	1
25	36049	SPACER, CLUTCH OUTER 1-1/2"OD x 1"ID x 5/16"THK	1
26	10433	WASHER, BELLEVILLE 1/2ID X 3/32THK	1
27	10450	WASHER, LOCK 7/16	1
28	10003	SCREW, CAP 7/16-20 X 1-1/4	1
29	10239	BELT AP-32	1
30	36013	SHEAVE 6"OD X 1GR.A X 3/4"BORE	1
31	36072	COVER, BELT	1
32	10818	BOLT, CARRIAGE 5/16-18 X 3/4 F.T.	3
33	10801	WASHER, LOCK 5/16	3
34	10213	WASHER, FLAT 5/16 SAE	3
35	10054	NUT 5/16-18	3
36	36047	WIRE, SAFETY SWITCH	1
37	10970	CONN., WIRE QUICK-SPLICE 18-14 GA.	1
38	11567	CONNECTOR, BULLET STD. 16-14GA.BLUE	1
39	36042	CLIP, NATURAL CORD, 1/8" X 1/4"	2

ILLUSTRATION 17: LIFT HANDLE GROUPING



ITEM #	PART #	DESCRIPTION	QTY.
1	36091	HANDLE, LIFT	1
2	36092	HOLDER, LIFT HANDLE	1
3	10021	SCREW, CAP 3/8-24 X 1	2
4	10811	WASHER, LOCK 3/8	2
5	10025	WASHER, FLAT 3/8 SAE	2