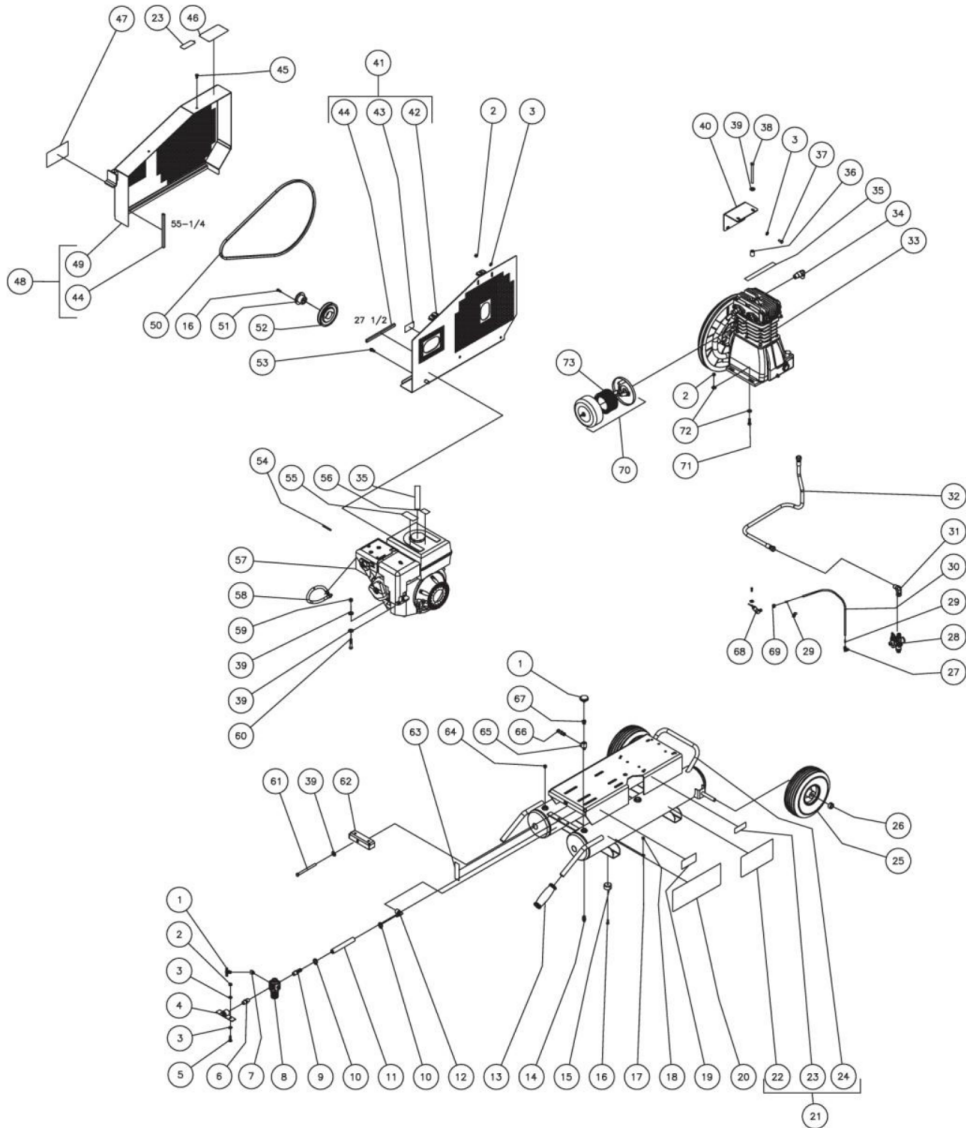




AS2-PH08-08M / AS2-PH08-08M (sn:0-99999999)

TANK ASSEMBLY



Id	Item #	Description	Quantity	Rev	Comments
1	22-0271	PRESSURE GAUGE	2		
2	30-0157	LOCKNUT	8		
3	28-0003	WASHER	8		
4	20-0421A01	MOUNT BRACKET	1		
5	27-0067	BOLT	2		
6	24-0010	NIPPLE	1		

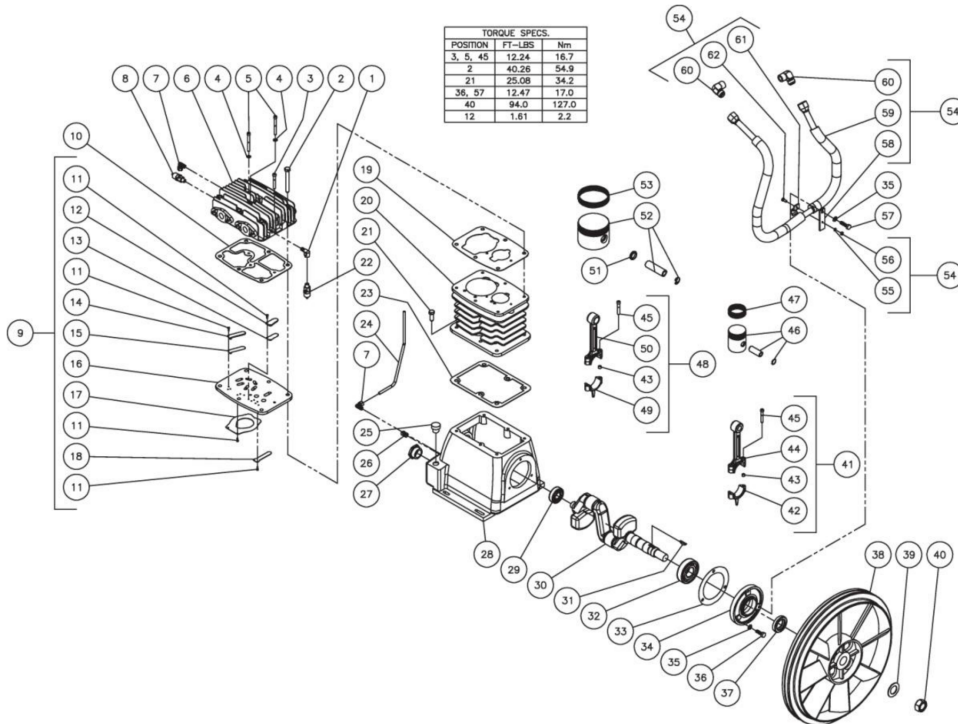
Id	Item #	Description	Quantity	Rev	Comments
7	23-0133	ELBOW	1		
8	22-0231	REGULATOR	1		
9	23-0105	HOSE BARB	1		
10	42-0011	WORM CLAMP	2		
11	15-0007	HOSE *(ONE FOOT REQUIRED)	1		
12	23-0418	ELBOW	1		
13	7-0059	HANDLE GRIP	2		
14	23-0312	PETCOCKS	2		
15	14-0069	ISOLATOR	2		
16	27-0015	BOLT	4		
17	28-0002	WASHER	2		
18	30-0155	LOCKNUT	2		
19	N/A	DECAL- DATA PLATE	1		
20	34-0814	DECAL- MI-T-M LOGO	1		
21	854-0065	AIR TANK ASSEMBLY (INC. 22-24)	1		
22	N/A Sep.	DECAL- DANGER/WARNING/CAUTION (SEE 34-9016)	1		
23	N/A Sep.	DECAL- WARNING: RISK OF BURNS (SEE 34-9016)	2		
24	N/A Sep.	TANK ASSEMBLY (SEE 854-0065)	1		
25	14-0017	WHEEL	2		
26	33-0351	COLLAR	2		
27	23-0316	ELBOW	1		
28	22-0270	PILOT VALVE	1		
29	23-0425	TUBE SUPPORT INSERT	2		
30	15-0238	HOSE *(TWO FEET REQUIRED)	1		
31	24-0272	ELBOW	1		
32	15-0243	HOSE	1		
33	3-0233	PUMP	1		
34	24-0075	ELBOW	1		
35	N/A Sep.	DECAL- CHECK OIL TAPE (SEE 34-9016)	2		
36	33-0425	SPACER	2		
37	27-0066	BOLT	2		
38	27-0131	BOLT	2		
39	28-0023	FLATWASHER	11		
40	20-0734A01	ANGLE BRACKET	1		
41	854-0066	BELTGUARD BACK ASSEMBLY (INC. 42-44)	1		
42	N/A Sep.	BELTGUARD BACK (SEE 854-0066)	1		
43	N/A Sep.	DECAL- WARNING: BELTGUARD IN PLACE (SEE 34-9016)	1		
44	33-0020	EDGING *(SEVEN FEET REQUIRED)	2		
45	33-0197	FASTENER	2		

Id	Item #	Description	Quantity	Rev	Comments
46	N/A Sep.	DECAL- OPERATING INSTRUCTIONS (SEE 34-9016)	1		
47	N/A Sep.	DECAL- MAINTENANCE INSTRUCTIONS (SEE 34-9016)	1		
48	854-0067	BELTGUARD COVER ASSEMBLY (INC. 44, 49)	1		
49	N/A Sep.	BELTGUARD FRONT ASSEMBLY (SEE 854-0067)	1		
50	11-0058	BELT	1		
51	9-0005	BUSHING	1		
52	10-0123	SHEAVE	1		
53	27-9524	BOLT	3		
54	43-0078	KEY	1		
55	N/A Sep.	DECAL- MUFFLER HOT (SEE 34-9016)	1		
56	N/A Sep.	DECAL- ENGINE FUEL (SEE 34-9016)	1		
57	1-0037	ENGINE- 8.0 HP HONDA	1		
58	70-0358	DRAINZIT DRAIN ASSEMBLY	1		
59	30-0159	LOCKNUT	4		
60	27-0121	BOLT	4		
61	27-0133	BOLT	1		
62	20-0650A01	BELT TENSIONER PLATE	1		
63	N/A Sep.	DECA- TANK DRAIN (SEE 34-9016)	2		
64	23-0296	PLUG	1		
65	23-0127	STREET TEE	1		
66	22-0267	PRESSURE RELIEF VALVE	1		
67	23-0111	BUSHING	1		
68	33-0413	THROTTLE CONTROL	1		
69	23-0315	COMPRESSION NUT	1		
70	19-0225	FILTER ASSEMBLY	1		
71	27-0068	BOLT	4		
71	28-0022	WASHER	8		
73	19-0226	FILTER REPLACEMENT	1		
	34-9016	SAFETY DECAL KIT (INC. 22-23, 35, 43, 46-47, 55-56, 63)			
		*MUST ORDER IN ONE FOOT LENGTHS			



AS2-PH08-08M / AS2-PH08-08M (sn:0-99999999)

COMPRESSOR PUMP



Id	Item #	Description	Quantity	Rev	Comments
1	23-0118	ELBOW	1		
2	27-0576	BOLT	6		
3	27-9559	SCREW	1		
4	N/A Sep.	FLAT WASHER (SEE 70-0364 OR 70-0371)	2		
5	27-9558	SCREW	1		
6	46-1119	CYLINDER HEAD	1		
7	23-0316	ELBOW	2		
8	22-0362	LOW PRESSURE SAFETY VALVE	1		
9	46-1094	VALVE PLATE (INC. 11-18)	1		
10	N/A Sep.	VALVE PLATE GASKET (SEE 70-0361 OR 70-0366)	1		
11	27-9561	SCREW	12		
12	N/A Sep.	VALVE STOP 1 (SEE 46-1094 OR 70-0366)	2		
13	N/A Sep.	VALVE 1 (SEE 46-1094 OR 70-0366)	2		
14	N/A Sep.	VALVE STOP 2 (SEE 46-1094 OR 70-0366)	2		

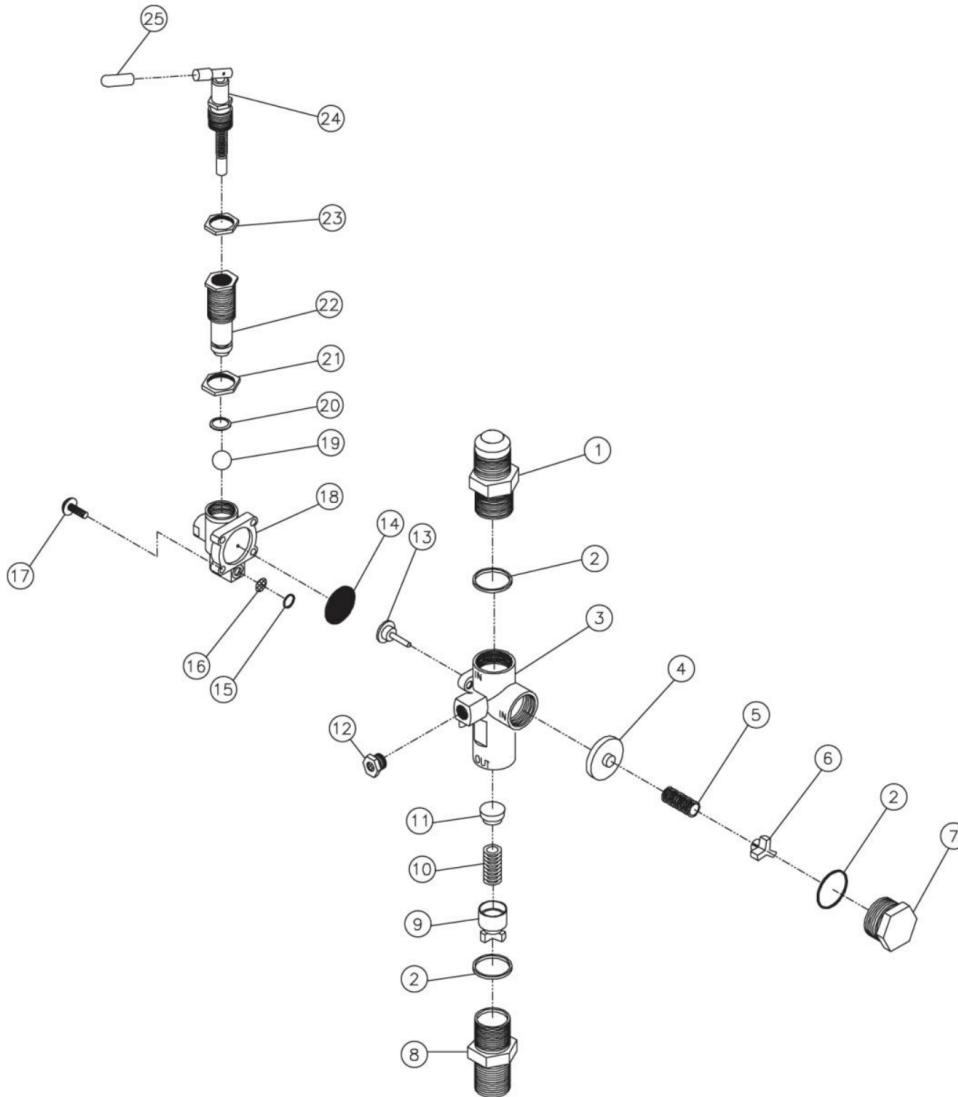
Id	Item #	Description	Quantity	Rev	Comments
15	N/A Sep.	VALVE 2 (SEE 46-1094 OR 70-0366)	2		
16	N/A Sep.	VALVE PLATE (SEE 46-1094)	1		
17	N/A Sep.	VALVE 3 (SEE 46-1094 OR 70-0366)	1		
18	N/A Sep.	VALVE 4 (SEE 46-1094 OR 70-0366)	1		
19	N/A Sep.	VALVE PLATE GASKET (SEE 70-0361 OR 70-0366)	1		
20	46-1120	CYLINDER	1		
21	27-0117	BOLT	6		
22	22-0361	HIGH PRESSURE SAFETY VALVE	1		
23	N/A Sep.	CRANKCASE GASKET (SEE 70-0361)	1		
24	33-0415	CRANKCASE BREATHER TUBE	1		
25	46-1121	OIL FILL PLUG	1		
26	24-0009	PLUG	1		
27	46-1098	OIL SIGHT GLASS	1		
28	46-1122	CRANKCASE	1		
29	48-0081	BEARING	1		
30	46-1123	CRANKSHAFT	1		
31	43-0112	KEY	1		
32	48-0082	BEARING	1		
33	N/A Sep.	FLANGE GASKET (SEE 70-0361)	1		
34	38-0062	FLANGE	1		
35	29-0007	LOCKWASHER	3		
36	27-0067	BOLT	2		
37	26-0274	OIL SEAL	1		
38	10-0124	FLYWHEEL	1		
39	N/A	WASHER	1		
40	N/A	NUT	1		
41	70-0381	CONNECTING ROD	1		
42	N/A Sep.	CONNECTING ROD CAP (SEE 70-0381)	1		
43	N/A Sep.	CONNECTING ROD GUIDE BUSHING (SEE 70-0381 OR 70-0382)	4		
44	N/A Sep.	CONNECTING ROD (SEE 70-0381)	1		
45	N/A Sep.	BOLT (SEE 70-0381 OR 70-0382)	4		
46	46-1101	PISTON	1		
47	70-0362	RING KIT	1		
48	70-0382	LOW PRESSURE CONNECTING ROD KIT	1		
49	N/A Sep.	LOW PRESSURE ROD CAP (SEE 70-0382)	1		
50	N/A Sep.	LOW PRESSURE ROD (SEE 70-0382)	1		
51	9-0078	SPACER BUSHING	2		
52	46-1102	PISTON	1		
53	70-0363	RING KIT	1		

Id	Item #	Description	Quantity	Rev	Comments
54	70-0370	INTERCOOLER KIT	1		
55	N/A Sep.	LOCKWASHER (SEE 70-0365 OR 70-0370)	1		
56	30-6001	NUT	1		
57	27-0068	BOLT	1		
58	N/A Sep.	INTERCOOLER BRACKET ASSEMBLY (SEE 70-0370)	1		
59	N/A Sep.	INTERCOOLER (SEE 70-0370)	1		
60	23-0430	ELBOW	2		
61	N/A Sep.	INTERCOOLER CLAMP ASSEMBLY (SEE 70-0365 OR 70-0370)	1		
62	27-8805	SCREW	1		
KIT	70-0361	GASKET (INC. 10, 19, 23, 33)			
KIT	70-0362	RING (INC. 47)			
KIT	70-0363	RING (INC. 53)			
KIT	70-0365	BRACKET ASSEMBLY (INC. 55-56, 61-62)			
KIT	70-0366	GASKET VALVE (INC. 10-15, 17-19)			
KIT	70-0370	INTERCOOLER (INC. 55-56, 58-62)			
KIT	70-0382	LOW PRESSURE CONNECTING ROD (INC. 43, 45, 49, 50)			
KIT	70-0381	HIGH PRESSURE CONNECTING ROD (INC. 42-45)			



AS2-PH08-08M / AS2-PH08-08M (sn:0-99999999)

PILOT VALVE



Id	Item #	Description	Quantity	Rev	Comments
1	N/A	INLET PORT FITTING	1		
2	N/A Sep.	O-RING (SEE 70-0241)	3		
3	N/A	MAIN BODY	1		
4	N/A Sep.	PISTON ASSEMBLY-UNLOADER VALVE (SEE 70-0241)	1		
5	N/A Sep.	SPRING-UNLOADER VALVE (SEE 70-0241)	1		
6	N/A	SPRING SEAT-UNLOADER VALVE	1		
7	N/A	CAP	1		

Id	Item #	Description	Quantity	Rev	Comments
8	N/A	DISCHARGE PORT FITTING	1		
9	N/A	SPRING SEAT ASSEMBLY-CHECK VALVE	1		
10	N/A Sep.	SPRING-CHECK VALVE (SEE 70-0241)	1		
11	N/A Sep.	PISTON-CHECK VALVE (SEE 70-0241)	1		
12	23-0419	MUFFLER	1		
13	N/A Sep.	STEM UNLOADER (SEE 70-0241)	1		
14	N/A Sep.	DIAPHRAM (SEE 70-0241)	1		
15	N/A Sep.	O-RING (SEE 70-0241)	1		
16	N/A Sep.	SCREEN (SEE 70-0241)	1		
17	N/A	SCREW W/WASHER	4		
18	N/A	PILOT BODY	1		
19	N/A Sep.	BALL (SEE 70-0241)	1		
20	N/A Sep.	O-RING (SEE 70-0241)	1		
21	N/A	DIFFERENTIAL ADJUSTING LOCKNUT	1		
22	N/A	DIFFERENTIAL ADJUSTING NUT	1		
23	N/A	PRESSURE ADJUSTING LOCKNUT	1		
24	N/A Sep.	PRESSURE ADJUSTING TOGGLE ASSEMBLY (SEE 70-0241)	1		
25	N/A	RED TOGGLE COVER	1		
KIT	70-0241	REPAIR KIT (INC. 2 EACH 4-5, 10-11, 13-16, 19-20, 24; INC. 3 EACH 2)			