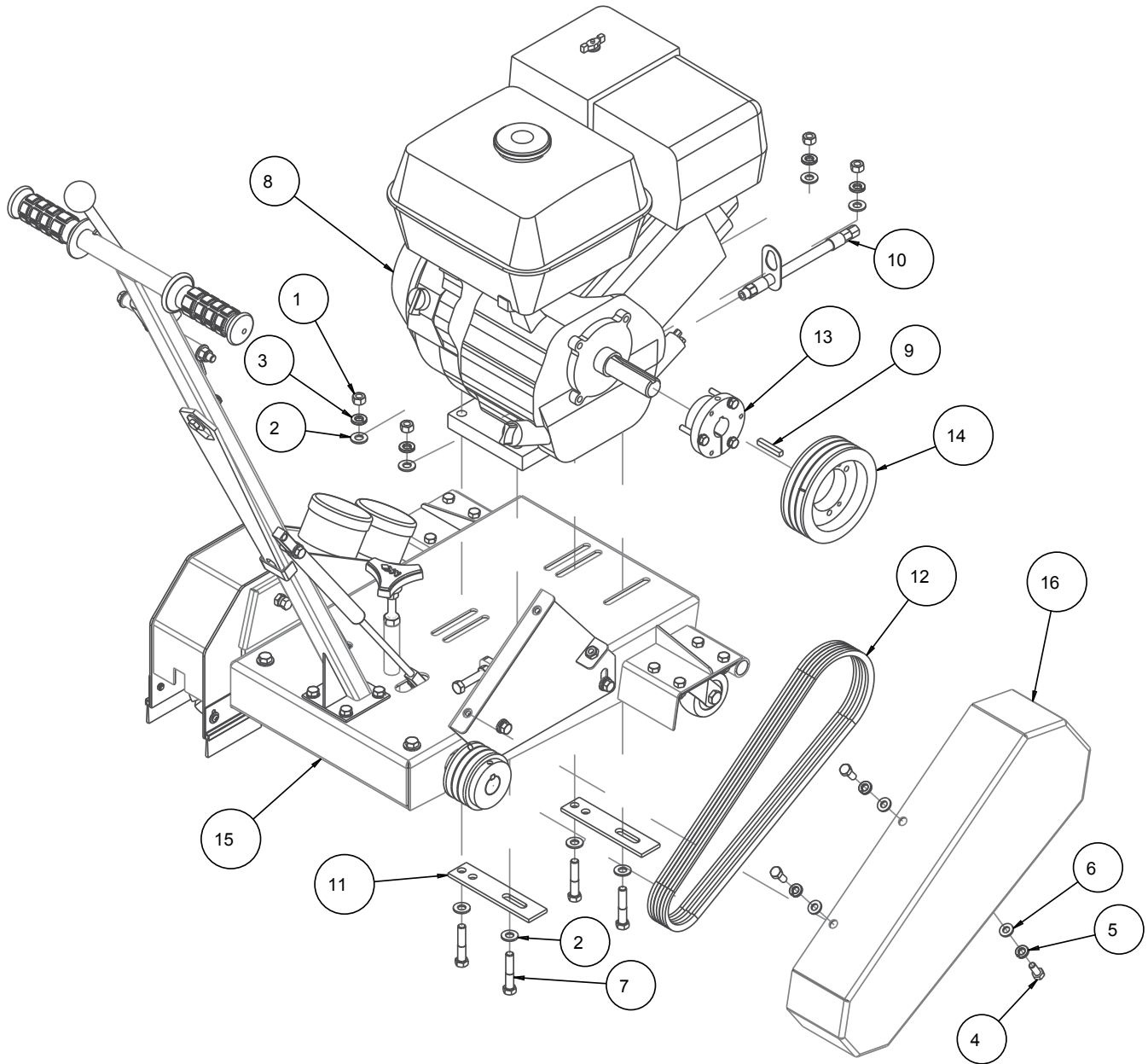


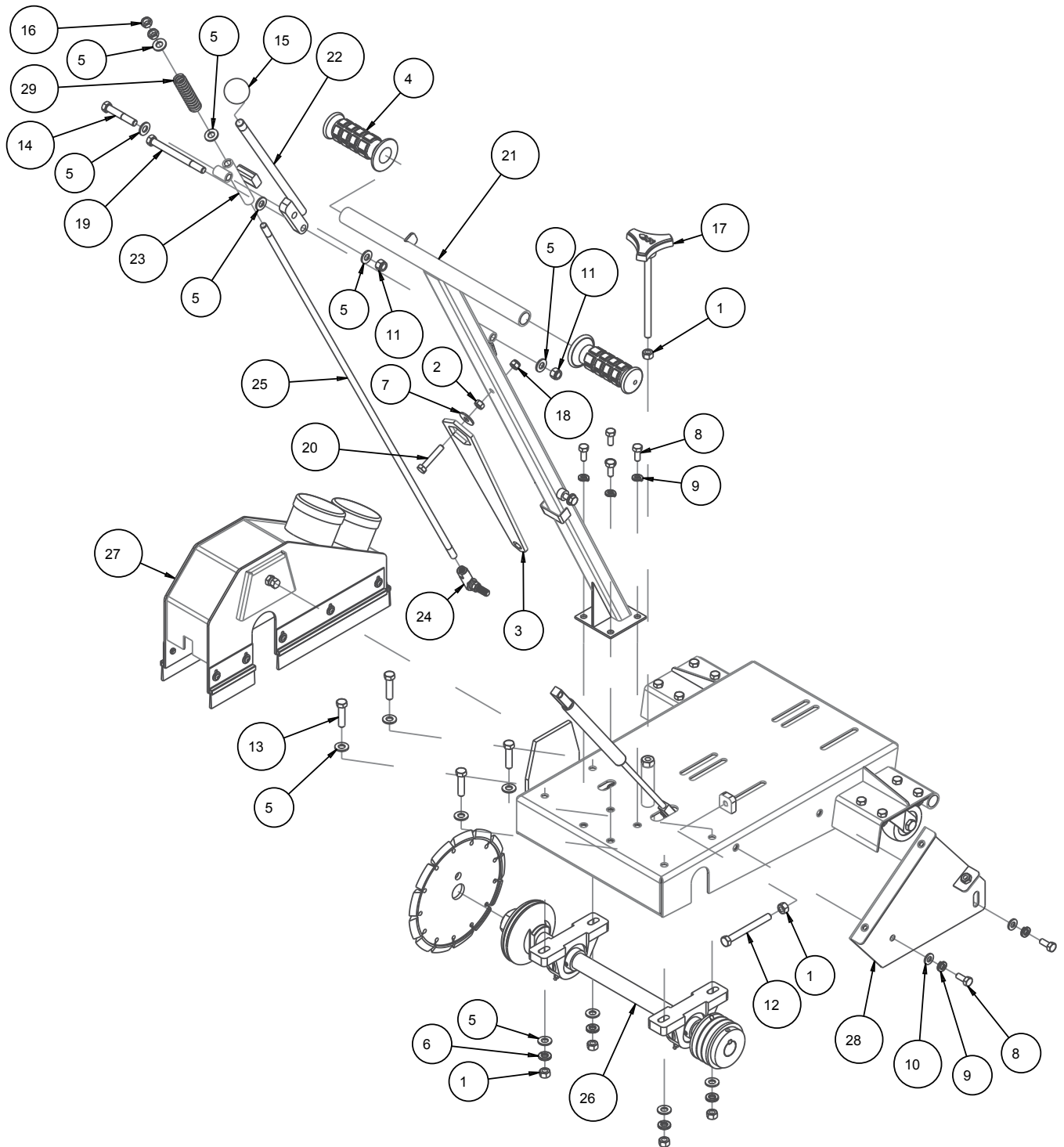
MK CC-100-9H, 9HP HONDA P/N 171320-9H



**MK CC-100-13H, 9HP HONDA P/N 171320-9H**

ITEM NO.	DESCRIPTION	PART #	QTY.
1	NUT, HEX, 3/8-16	101188	4
2	WASHER, FLAT, SAE, 3/8	150923	8
3	WASHER, LOCK, SPLIT, 3/8	150925	4
4	SCREW, HEX HD, CAP, 5/16-18 X 3/4	151369	3
5	WASHER, LOCK, SPLIT, 5/16	151747	3
6	WASHER, FLAT, SAE, 5/16	151754	3
7	SCREW, HEX HD, CAP, 3/8-16X2	153485	4
8	ENGINE, HONDA GX270	155897	1
9	KEY, 1/4 SQUARE X 1-1/2	157560	1
10	ASSY, OIL DRAIN, 12MM	157577-02	1
11	PLATE, ENGINE BOLT	157847	2
12	BELT, V, 3VX375	157891	3
13	BUSHING, LRG SHEAVE QD X 1" SD	157899	1
14	PULLEY, 3-3VX X 2.5 X1.0 +A	160193	1
15	MK CC-100 CRACK CHASER, PARENT	171320	1
16	GUARD, BELT, OUTER	171334	1

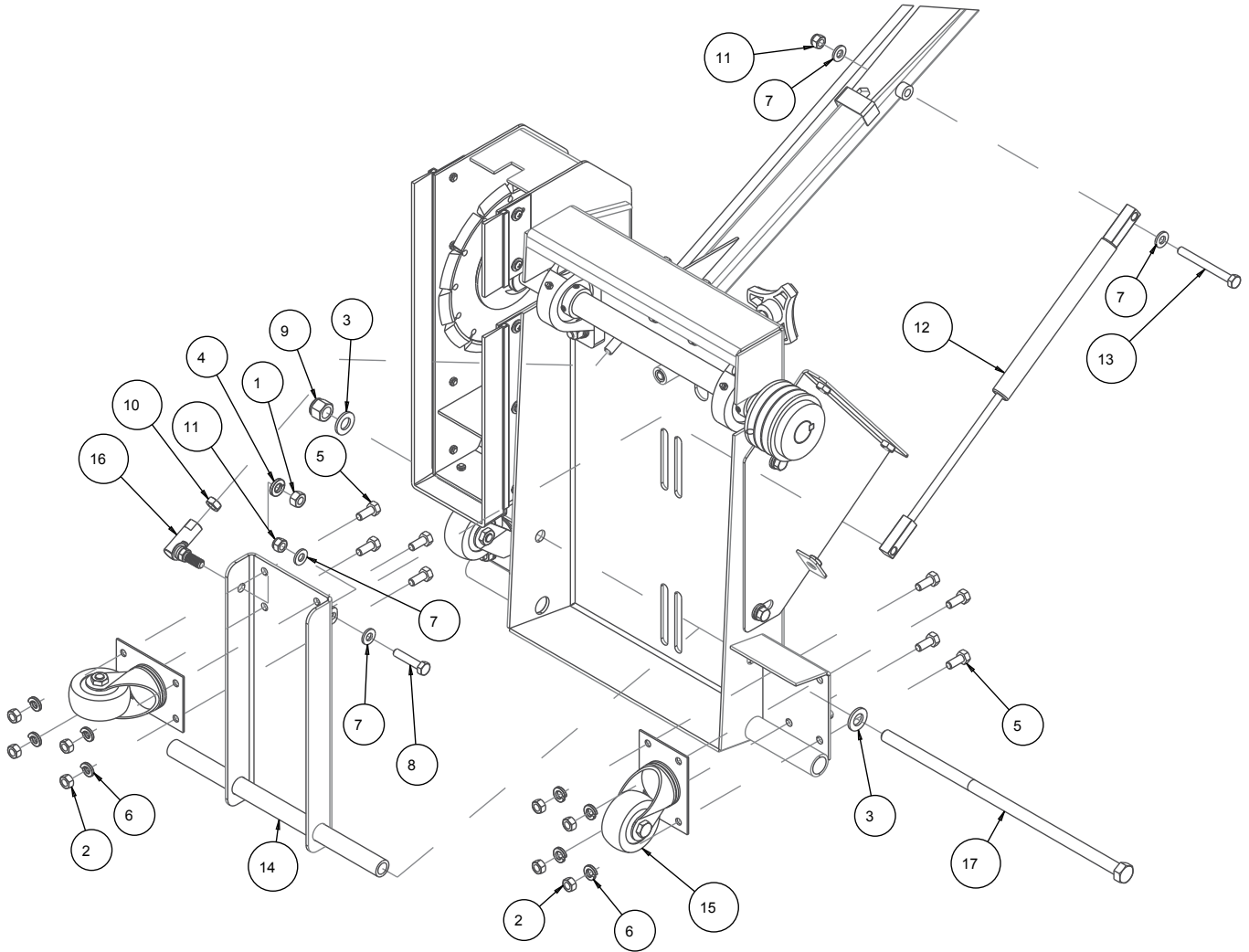
MK CC-100 CRACK CHASER, PARENT P/N 171320



**MK CC-100 CRACK CHASER, PARENT P/N 171320**

ITEM NO.	DESCRIPTION	PART #	QTY.
1	NUT, HEX, 3/8-16	101188	7
2	NUT, HEX, 5/16-18	101196	13
3	WRENCH, BOX END, 1-1/2 X 9/16	137976	1
4	GRIP, HANDLE, 1.0 ID	150842	2
5	WASHER, FLAT, SAE, 3/8	150923	14
6	WASHER, LOCK, SPLIT, 3/8	150925	5
7	WASHER, FENDER, 5/16 X 1.0	151053	1
8	SCREW, HEX HD, CAP, 5/16-18 X 3/4	151369	18
9	WASHER, LOCK, SPLIT, 5/16	151747	18
10	WASHER, FLAT, SAE, 5/16	151754	6
11	NUT, HEX, NYLK, 3/8-16	152505	2
12	BOLT, 3/8-16 X 3-1/2 HEX HEAD TAP	153147	1
13	SCREW, 3/8-16X1-1/2 HEX HEAD	153528	4
14	SCREW, HEX HD, CAP, 3/8-16X2-1/4	153529	1
15	KNOB, 1/2-20 FEM BALL	154486	1
16	NUT, HEX, JAM, 3/8-24	156623	3
17	MK KNOB 6-12" LG.	156770-65	1
18	NUT, HEX, NYLK, 5/16-18	158289	3
19	SCREW, HEX HD, 3/8-16X4-1/4	158604	1
20	SCREW, HEX HD, TAP, 5/16-18X1-1-3/4	160948	1
21	HANDLEBAR, CC100	171323	1
22	HANDLE, ENGAGE	171324	1
23	GUIDE, ENGAGE ROD	171325	1
24	LINKAGE, BALL JOINT, 3/8-24	171326	1
25	ROD, TRUCK LIFT	171327	1
26	ASSY, BLD SHAFT, CC100	171328	1
27	ASSY, GUARD, BLADE, CC100	171331	1
28	GUARD, BELT, INNER	171333	1
29	SPRING, COMPRESSION, 3/4OD X 3L	171365	1

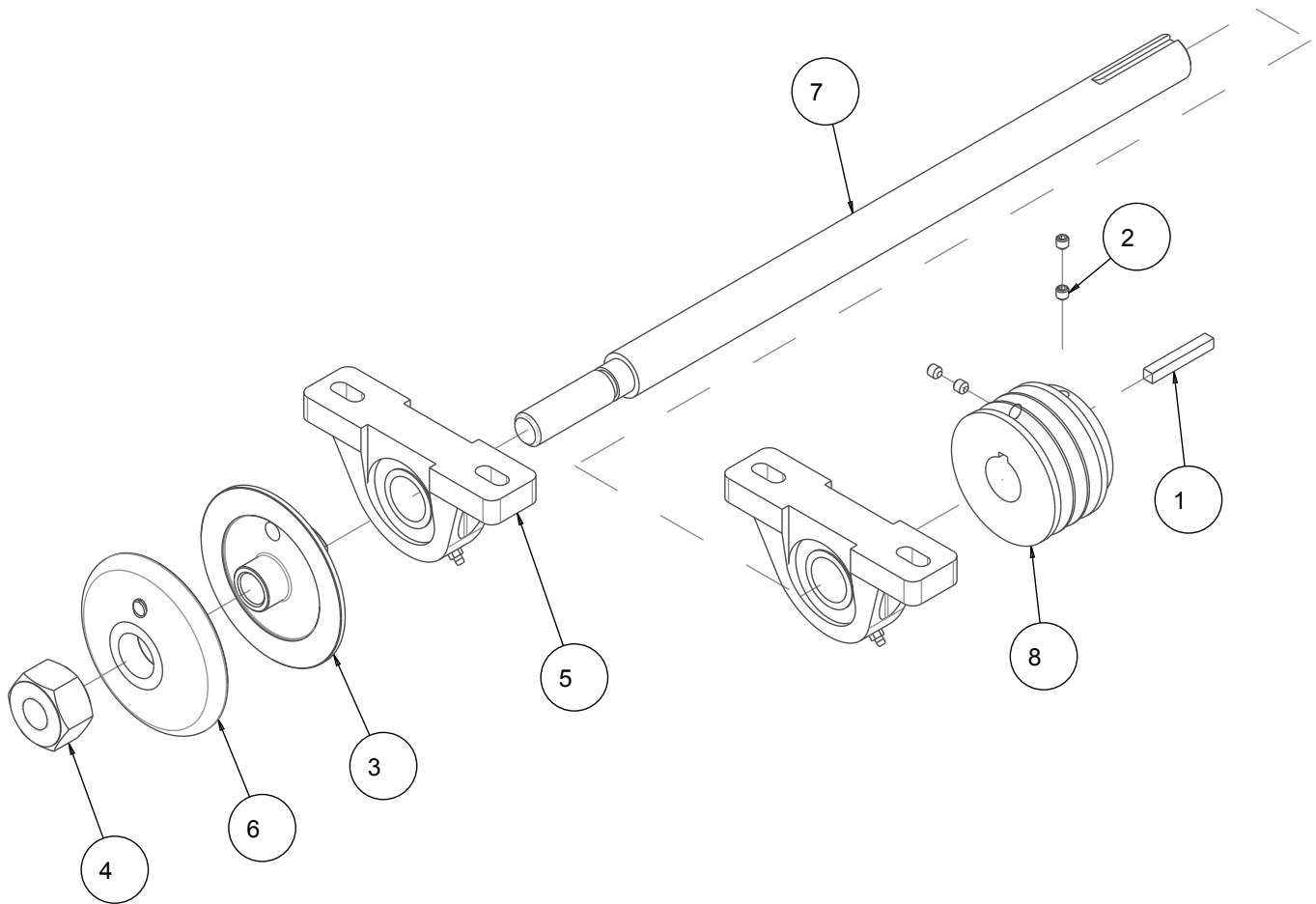
MK CC-100 CRACK CHASER, PARENT P/N 171320



**MK CC-100 CRACK CHASER, PARENT P/N 171320**

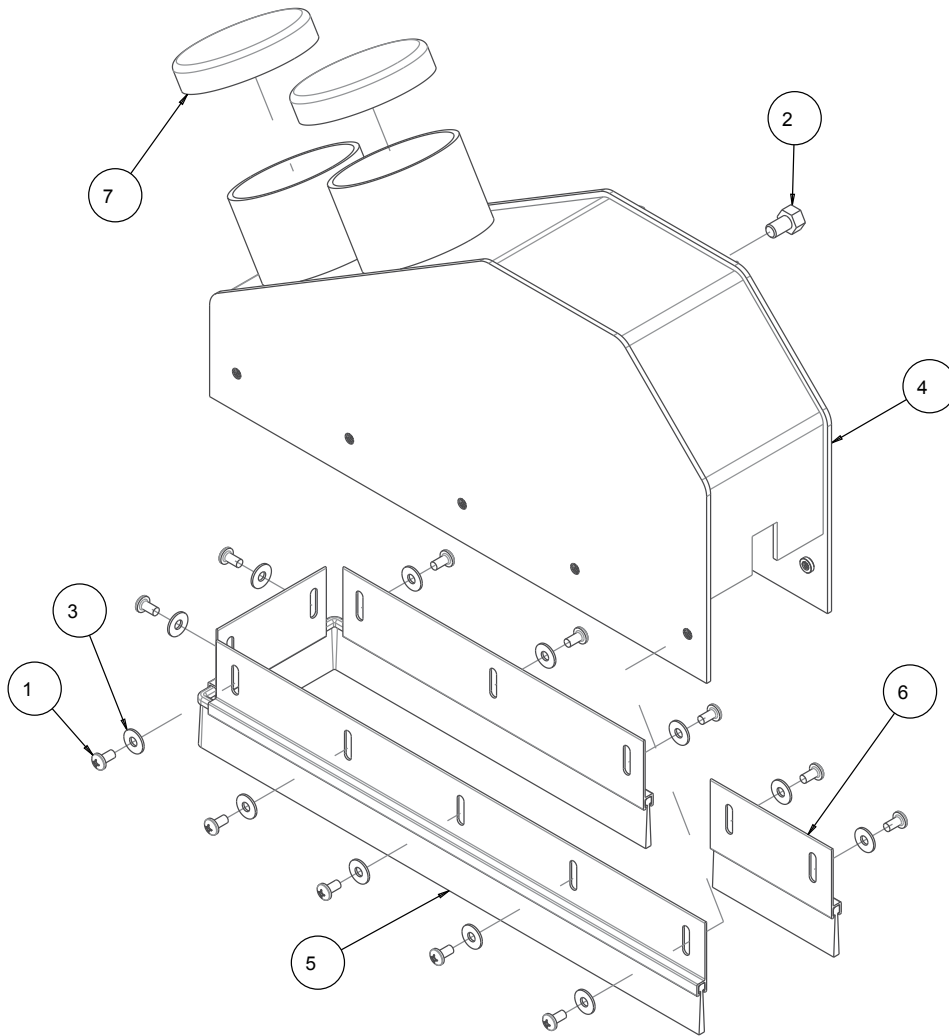
ITEM NO.	DESCRIPTION	PART #	QTY.
1	NUT, HEX, 3/8-16	101188	7
2	NUT, HEX, 5/16-18	101196	13
3	WASHER, 1/2 SAE FLAT	150924	2
4	WASHER, LOCK, SPLIT, 3/8	150925	5
5	SCREW, HEX HD, CAP, 5/16-18 X 3/4	151369	18
6	WASHER, LOCK, SPLIT, 5/16	151747	18
7	WASHER, FLAT, SAE, 5/16	151754	6
8	SCREW, 5/16-18 X 1-1/2 HEX HEAD MACHINE	152467	1
9	NUT, 1/2-13 NYLOK, HEX	155162	1
10	NUT, HEX, JAM, 3/8-24	156623	3
11	NUT, HEX, NLK, 5/16-18	158289	3
12	SPRING, GAS, 600N	160696	1
13	SCREW, HEX HD, TAP, 5/16-18X3	162473	1
14	TRUCK, CC100	171321	1
15	WHEEL, CASTER, 2-1/2 X 1 IRON	171322	3
16	LINKAGE, BALL JOINT, 3/8-24	171326	1
17	SCREW, HEX HD, 1/2-13X13-1/2	171364	1

**MK CC-100 ASSY, BLADE SHAFT P/N 171328**



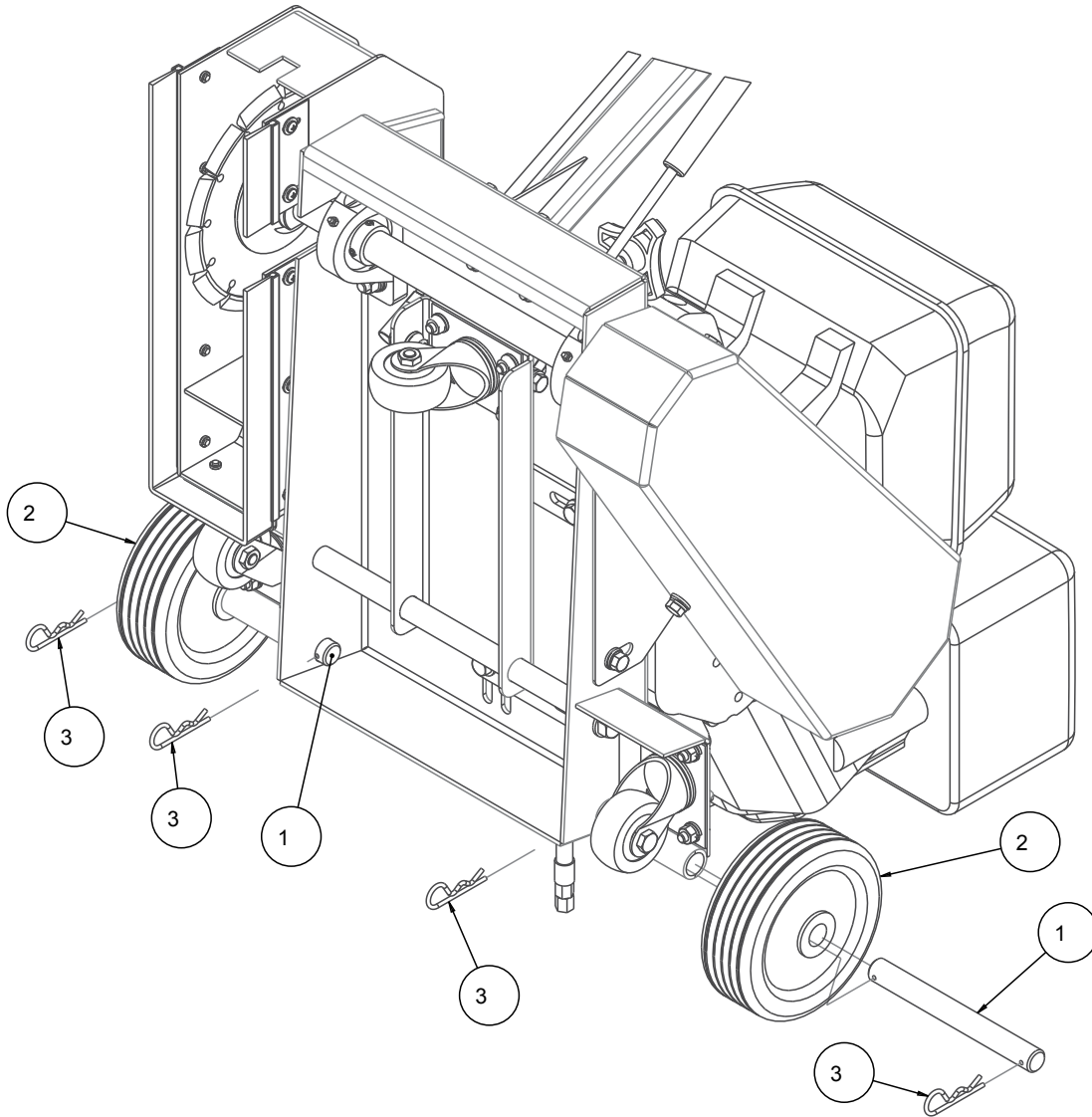
ITEM NO.	DESCRIPTION	PART #	QTY.
1	KEY, 1/4 SQR X 1-3/4	150796	1
2	SCREW, SET, CUP PT, 5/16-18X1/4	152607	4
3	FLANGE, 4.0 X 3/4-16LH INNER	155068	1
4	NUT, BLD SHFT, LH, 3/4-16	155069	1
5	BEARING, PILLOW BLK 1"	155072	2
6	ASSY, OUTER FLANGE, 4"	155451	1
7	SHAFT, BLADE, CC-100	171329	1
8	PULLEY, 3/3V30 X 1 BORE	171330	1

**MK CC-100 ASSY, GUARD, BLADE P/N 171331**






ITEM NO.	DESCRIPTION	PART #	QTY.
1	SCREW, PAN HD, #10-24X3/8	151097	12
2	SCREW, 5/16-18 X 1/2 HEX HEAD MACHINE	152473	1
3	WASHER, FLAT, SAE, #10	154369	12
4	GUARD, BLADE, 8"	171332	1
5	ASSY, BRUSH 1, BLD GRD	171360	1
6	ASSY, BRUCH 2, BLD GRD	171361	1
7	CAP, 3' TUBING, VINYL	171362	2

**MK CC-100 KIT, WHEEL, 6X2 P/N 172014**



ITEM NO.	DESCRIPTION	PART #	QTY.
1	AXLE, 6 X 2 WHEEL	172015	2
2	WHEEL, 6 X 2, 150LB	172016	2
3	PIN, HAIRPIN COTTER, 1/8 X 2-1/2	172017	4

**ACCESSORIES**

ITEM	NUMBER	DESCRIPTION	
1	151927	MK-404DV 8" x .250 x 1"	
2	151934	MK-404DV 8" x .375 x 1"	
3	151938	MK-404DV 8" x .500 x 1"	
4	172014	Straight Cut Wheel Kit	