

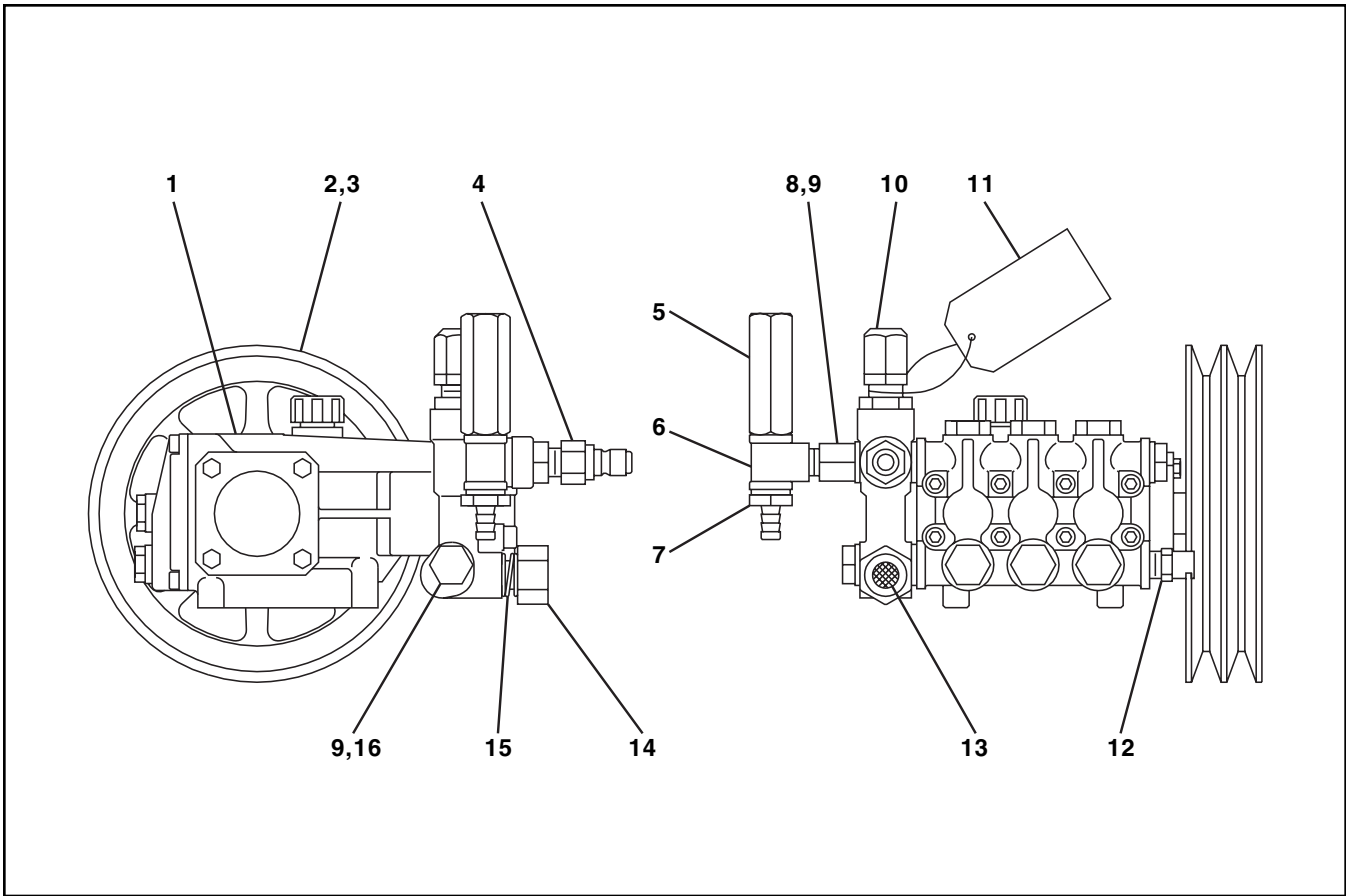
**Figure 6 - Machine Assembly**

Ref. No.	Part No.	Description	Qty.
1	375441	Chassis	1
2	<b>Fig. 9</b>	Trigger Gun/Wand Assembly	1
3	444469	Decal Shark Detergent	1
4	<b>Fig. 7</b>	Pump Assembly	1
5	859815	Grommet (Nozzle Holders)	5
6	890783	Engine Warning Tag	1
7	661261	Engine	1
8	834180	Decal Beltguard	1
9	444462	Decal Caution Gasoline	1
10	258458	Beltguard	1
11	■	Flange Bolt 1/4" - 20 x 3/4"	3
12	826176	Quick Disconnect	1
13	707226	Pressure Hose	1
14	615494	Belt	2
15	■	Bolt 1/2" - 13 x 3-1/2"	1
16	■	Flat Washer 1/2"	1
17	375331	Belt Tensioning Bracket	1
18	● ■	Bolt 5/16" - 18 x 1-3/4"	4
19	■	Flat Washer 5/16"	12
20	■	Locknut 5/16" - 18	8
21	983016	Wheel	2

Ref. No.	Part No.	Description	Qty.
22	817322	Hubcap	2
23	848616	Push Nut 5/8"	2
24	■	Flat Washer 5/8"	4
25	834154	Decal Winterize	1
26	919537	Engine Pulley	1
27	815135	Engine Pulley Bushing	1
28	877283	Engine Shaft Key	1
29	● ■	Bolt 8 mm x 16 mm	4
30	615527	Bumper	2
31	■	Flat Washer 3/8"	2
32	■	Bolt 3/8" - 16 x 1"	2
33	646026	Decal Carbon Monoxide	1
34	■	Lock Washer 5/16"	4
35	646103	Decal Nozzle	1
36	630606	Clip	1
37	345063	Axle	1
38	915774	Quick Disconnect Plug	1
39	780451	Pump Mounting Washer	4

■ Standard hardware item available locally.

● Use thread locking compound.



**Figure 7 - Pump Assembly**

Ref. No.	Part No.	Description	Qty.
1	HC340R	Pump Fig. 8	1
2	815202	Pump Pulley Bushing	1
3	875446	Pump Pulley	1
4	915774	Quick Disconnect Plug	1
5	640125	Relief Valve Cartridge	1
6	784200	Relief Valve Manifold	1
7	875640	Relief Valve Seat	1
8	615541	Bolt Unloader Valve	1
9	936633	Flat Washer w/Seal	4
10	921509	Unloader Valve	1
11	890769	Unloader Warning Tag	1

Ref. No.	Part No.	Description	Qty.
12	921421	Thermal Relief Valve	1
13	856035	Garden Hose Connector Gasket	1
14	801126	Garden Hose Connector	1
15	875575	Garden Hose Connector Spring	1
16	651485	Bolt Unloader Valve	1

**Replacement Parts**

★	753025	O-Ring Repair Kit	1
★	753026	Discharge Repair Kit	1
★	753027	Stem Repair Kit	1

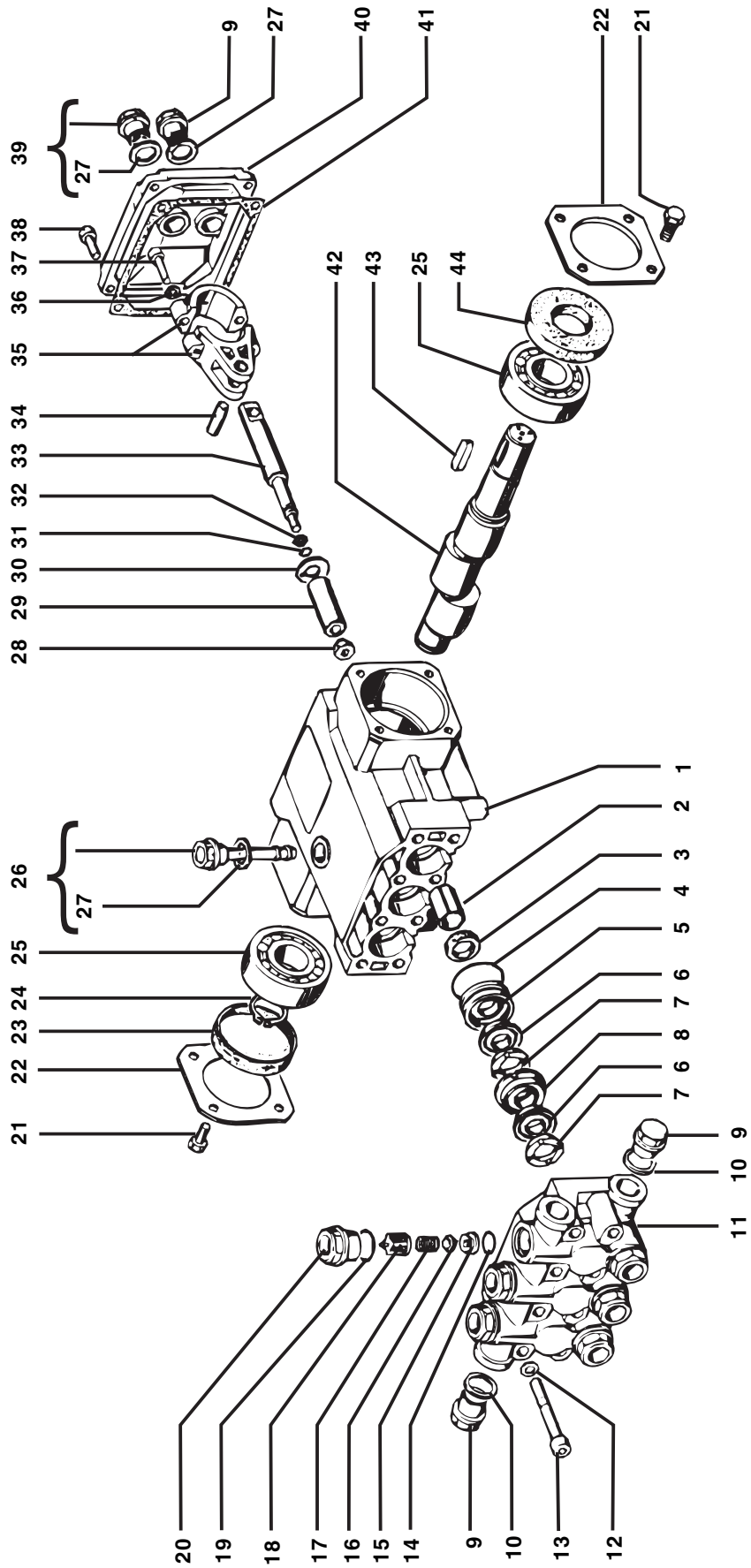
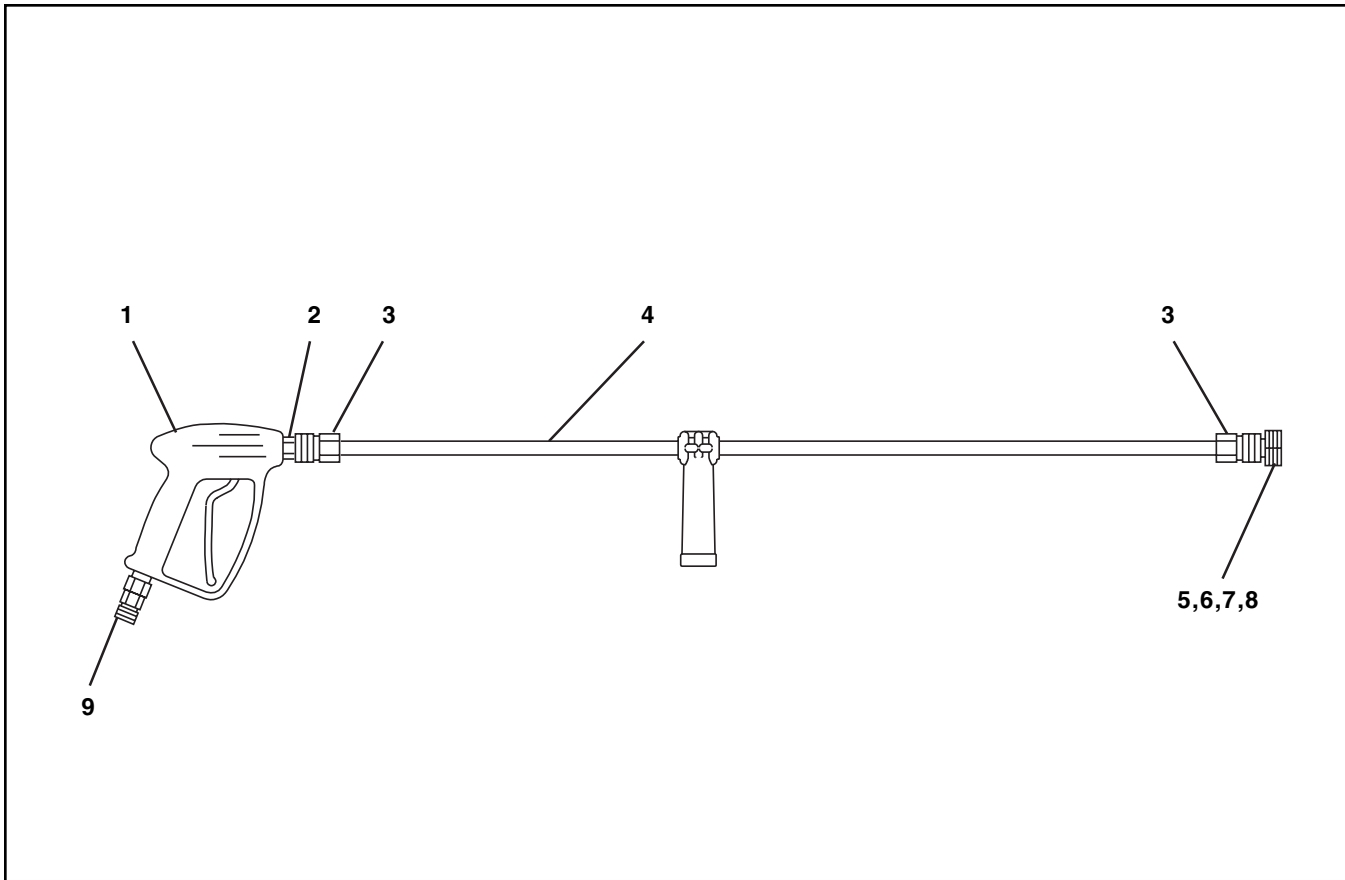


Figure 8 - Pump, Exploded View

Ref. No.	Part No.	Description	Qty.
1	630683	Crankcase	1
2	860361	Plunger Guide	3
3	▼ ❖	Plunger Seal	3
4	▼ ◆	Pressure Ring O-Ring	3
5	▼	Pressure Ring 18 mm	3
6	▼ ◆	V-Sleeve 18 mm	6
7	▼ ◆	Support Ring 18 mm	6
8	▼	Intermediate Ring 18 mm	3
9	915630	Plug 3/8"	3
10	780565	Copper Washer 3/8"	2
11	783854	Manifold Housing	1
12	780560	Washer	8
13	875571	Manifold Stud Bolt	1
14	★	Valve Seat O-Ring	6
15	★	Valve Seat	6
16	★	Valve Plate	6
17	★	Valve Spring	6
18	★	Valve Cage	6
19	926657	Manifold Plug O-Ring	6
20	823335	Manifold Plug	6
21	875572	Hex Screw	8
22	615488	Bearing Cover	2
23	615489	Bearing Protector w/o Sight Glass	1
	878575	Sight Glass	1
	818575	O-Ring for Sight Glass	1
24	860141	Crankshaft Snap Ring	1
25	808895	Ball Bearing	2

Ref. No.	Part No.	Description	Qty.
26	814210	Oil Dipstick	1
27	855893	Gasket 3/8"	3
28	❖	Plunger Nut	3
29	❖	Ceramic Sleeve 18 mm	3
30	❖	Copper Spacer	3
31	❖	Plunger Rod O-Ring	3
32	❖	Teflon Ring	3
33	829669	Plunger Rod	3
34	860142	Connecting Rod Pin	3
35	630688	Connecting Rod Assembly	3
36	780564	Spring Washer	6
37	878197	Allen Screw	6
38	735313	Crankcase Cover Allen Screw	4
39	858431	Sight Glass 3/8"	1
40	827324	Crankcase Cover	1
41	855889	Crankcase Cover Gasket	1
42	632000	Crankshaft	1
43	877249	Pump Shaft Key	1
44	632020	Crankshaft Seal	1

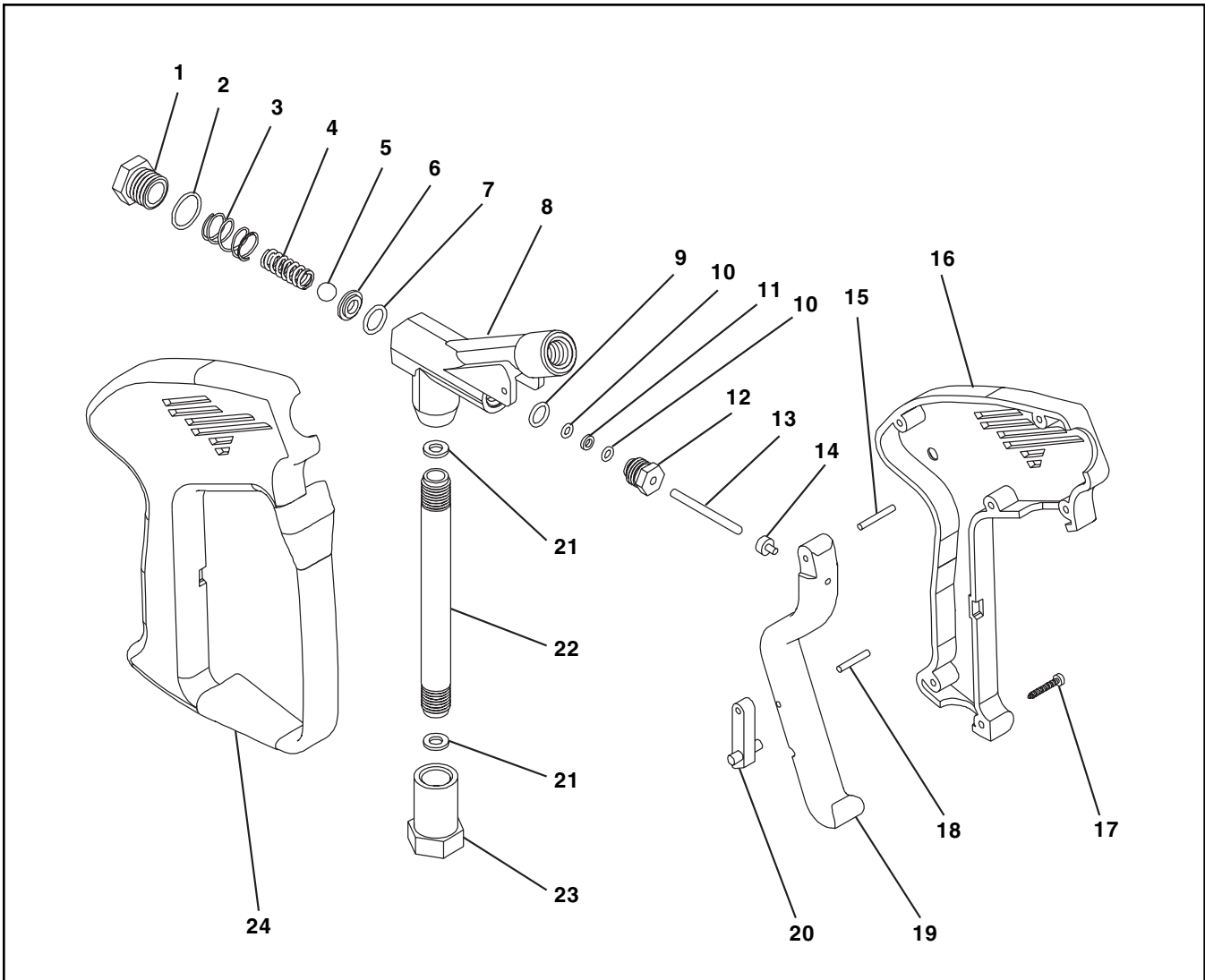
Replacement Parts			Qty/Pump
▼	753106	Complete Seal Packing Kit 18 mm	3
◆	877672	Seal Packing Kit 18 mm	1
★	753039	Complete Valve Assembly Kit	6
❖	753107	Ceramic Sleeve Kit 18 mm	3
❖	877655	Plunger Seal Kit	1



**Figure 9 - Trigger Gun/Wand Assembly**

Ref. No.	Part No.	Description	Qty.
1	860447	Trigger Gun <b>Fig. 10</b>	1
2	915786	Quick Disconnect Plug	1
3	826169	Quick Disconnect	2
4	936701	Wand	1
5	799000	Pressure Nozzle (Red)	1

Ref. No.	Part No.	Description	Qty.
6	799012	Pressure Nozzle (Yellow)	1
7	799024	Pressure Nozzle (White)	1
8	799144	Pressure Nozzle (Green)	1
9	826177	Quick Disconnect	1



**Figure 10 - Trigger Gun, Exploded View**

Ref. No.	Part No.	Description	Qty.
1	817320	Valve Cap	1
2	☛	Valve Cap O-Ring	1
3	☛	Valve Seat Spring	1
4	☛	Valve Spring	1
5	☛	Ball	1
6	☛	Valve Seat	1
7	☛	Valve Seat O-Ring	1
8	812801	Valve Body	1
9	☛	Plunger Guide Seat O-Ring	1
10	☛	Plunger Guide Backring	2
11	☛	Plunger Guide O-Ring	1
12	☛	Plunger Guide	1
13	☛	Plunger Rod	1
14	☛	Plunger Seat	1

Ref. No.	Part No.	Description	Qty.
15	914141	Trigger Pin	1
16	860495	Left Gun Shell	1
17	735316	Phillips Screw	6
18	914142	Trigger Lock Pin	1
19	960271	Trigger	1
20	881941	Trigger Lock Lever	1
21	936460	Inlet Pipe Seat	2
22	914285	Inlet Pipe	1
23	851190	Inlet Fitting	1
24	860496	Right Gun Shell	1

**Replacement Parts**

- ☛ 877471 Trigger Gun Repair Kit