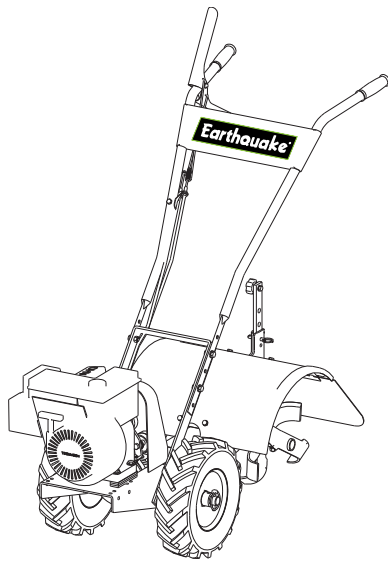
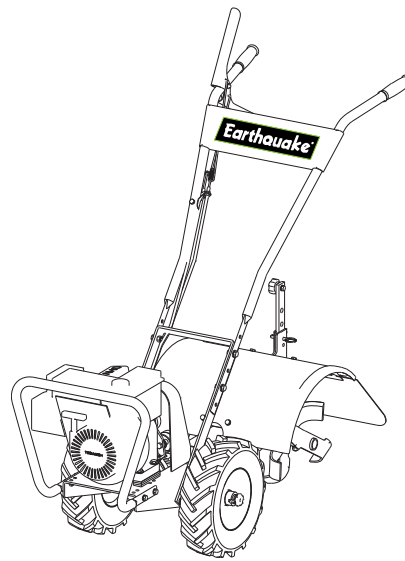


Earthquake[®]

OPERATING INSTRUCTIONS & PARTS EXPLOSIONS SRT ROTOTILLERS



**7055 6 HP BRIGGS
7065V 6.5 HP VIPER**

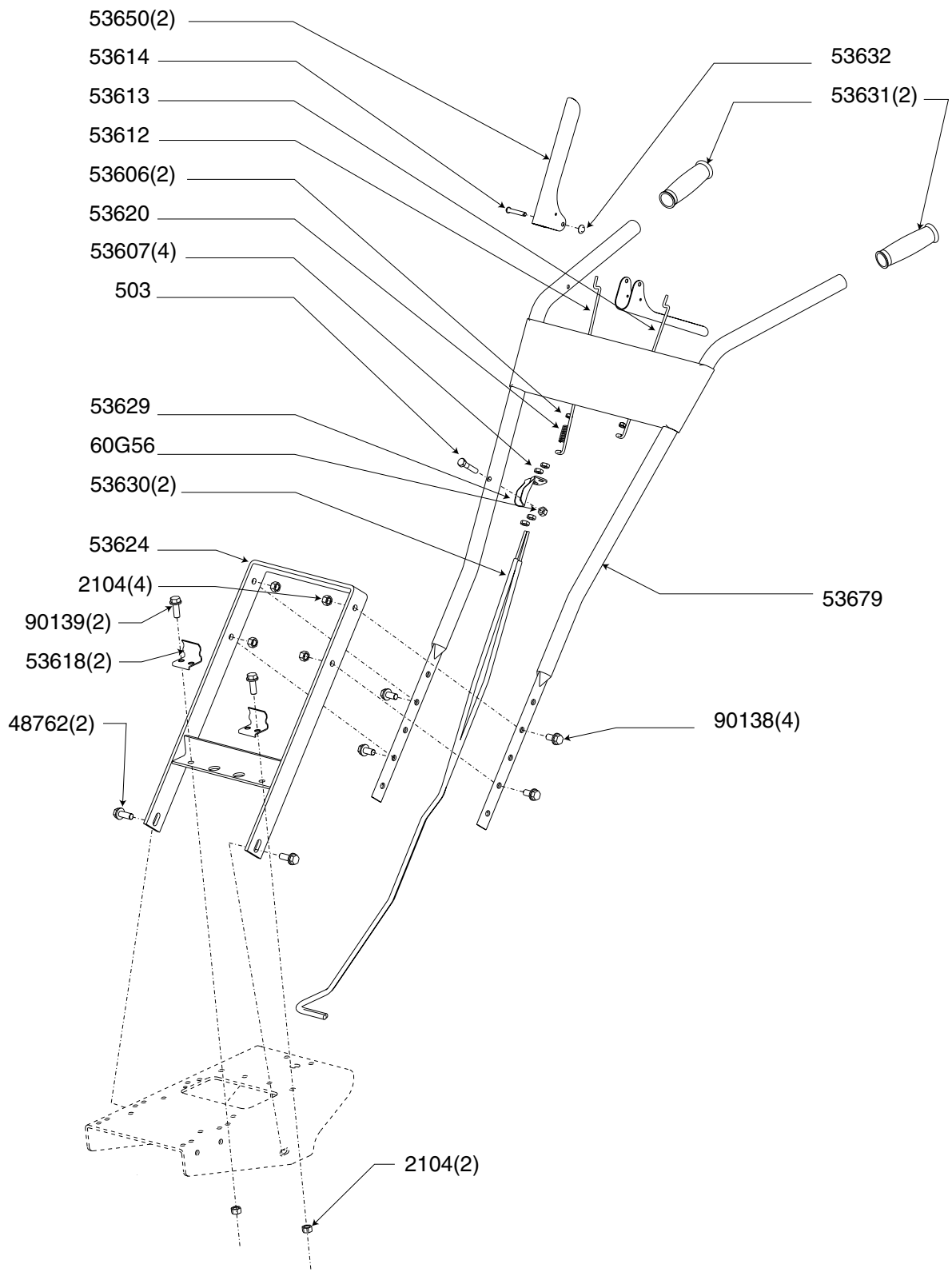


7155 6 HP BRIGGS

OMSRT07
Rev. 2/5/07

© Copyright 2007 Ardisam, Inc.
All Rights Reserved. Printed in USA.

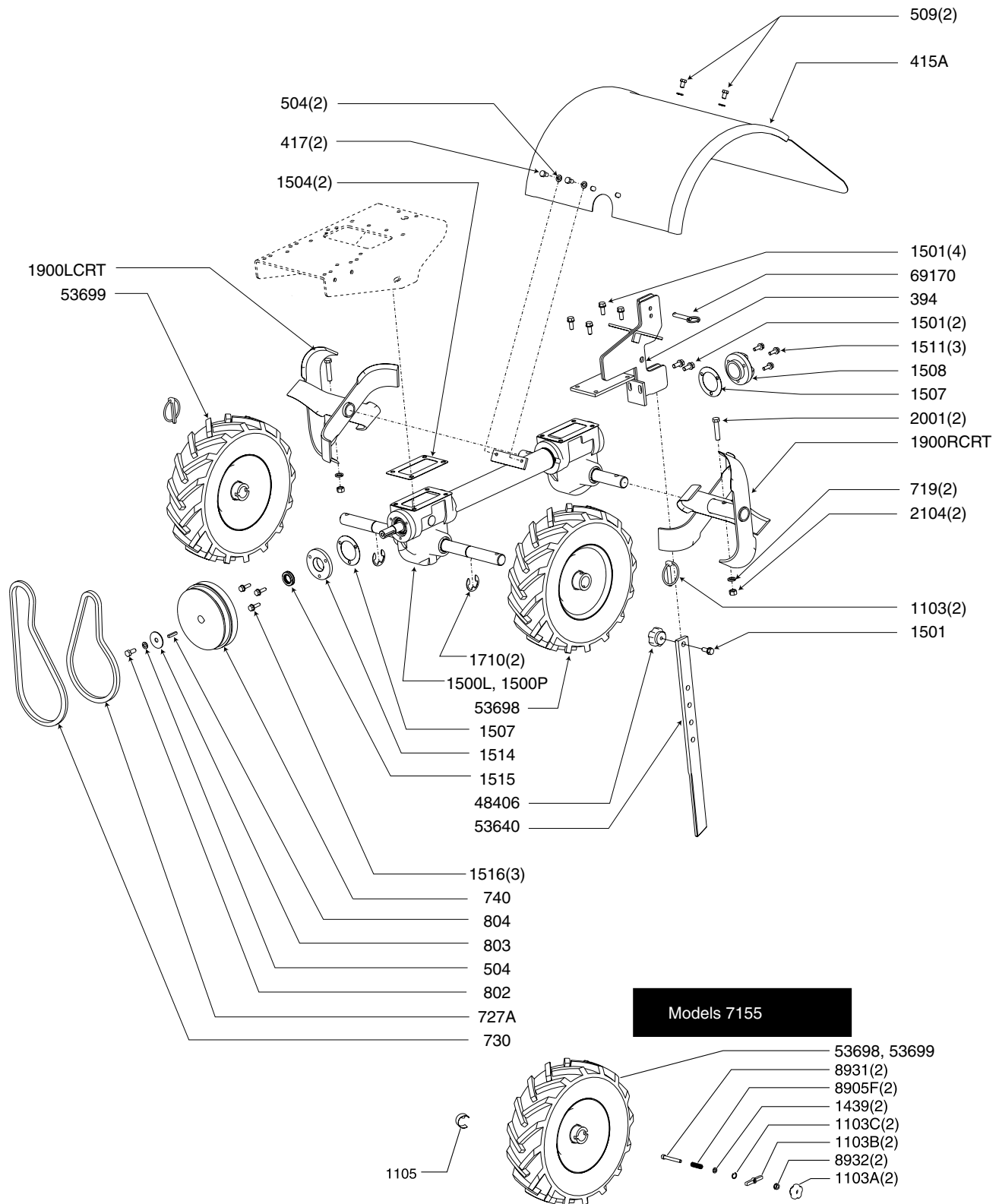
SRT HANDLEBAR PARTS EXPLOSION



SRT HANDLEBAR PARTS LIST

PART #	DESCRIPTION	QTY.
2104	Nut Hex Two-Way 3/8-16	6
48762	Bolt 3/8-16 x 1" Carriage	4
503	Bolt 5/16-24x1" HH GR5	1
53606	Nut-Nyloc, #10	2
53607	Nut-Jam, 5/16-24	4
53612	Link 11-5/8" long	1
53613	Link 9-1/2" long	1
53614	Pin Clevis 1/4 x 1-1/2"	1
53618	Belt Guard Clip	2
53620	Spring Compression Forward Arm	1
53624	Handlebar Mount Weldment	1
53629	Cable Mount Bracket	1
53630	Cable - Rear Tine 39" Sheath	2
53631	Grip Handlebar 1" ID Flangeless	2
53632	Nut Push 1/4"	1
53650	Lever Control Rear Tine	2
53679	Handlebar Weldment	1
60G56	Nut-Bi-Way Lock, 5/16-18	1
90139	Bolt 3/8-16 x 1"	2
91038	Bolt 3/8-16 x 3/4 Serrated Flange	4

SRT TINES & HOOD PARTS EXPLOSION

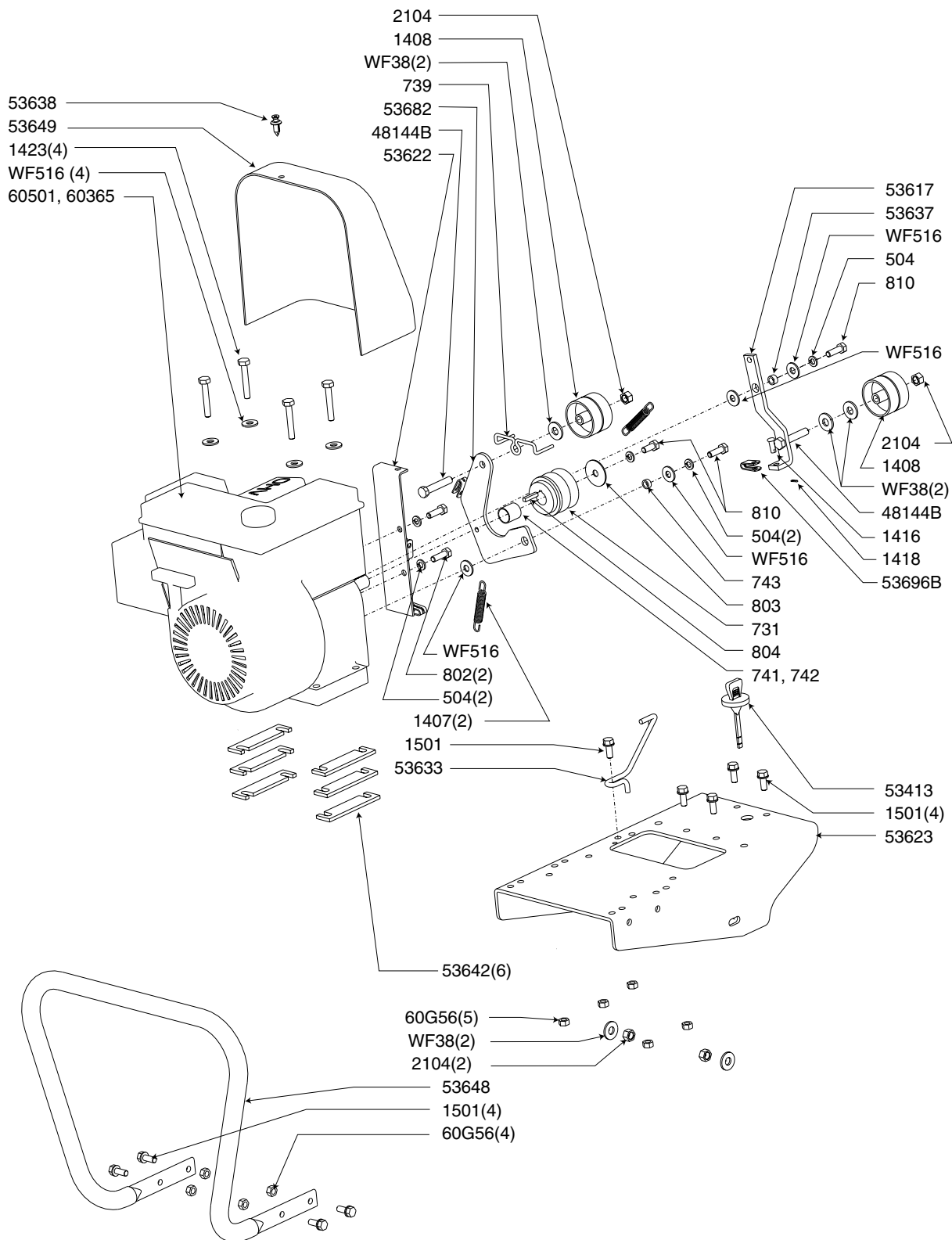


SRT TINES & HOOD PARTS LIST

PART #	DESCRIPTION	QTY.
1103	Lock Pin 5/16" x 1-3/4"	2
1103A	Wheel Lockout Knob (7155)	2
1103B	Butterfly Lockout (7155)	2
1103C	Snap Ring 1/2" (7155)	2
1105	Spring Clamp w/ Dowel (7155)	2
1439	Flat Washer 1/4" ID (7155)	2
1500P	Transmission Assembly, Lock Pin	1
1500L	Transmission Assembly, Lockout (7155)	1
1501	Bolt 5/16-18 x 3/4"	7
1504	Gasket, Transmission	2
1507	Gasket, Bearing Cap	2
1508	Rear Bearing Cap	1
1511	Bolt 1/4-20 x 7/8"	3
1514	Front End Cap	1
1515	Seal Oil Drive Shaft	1
1516	Bolt 1/4-20 x 3/4"	3
1710	External Snap Ring	2
1900LCRT	Left Tine Set	1
1900RCRT	Right Tine Set	4
2001	Bolt 3/8-16 x 1-3/4"	2
2104	Nut, Bi-Way Lock 3/8-16	2

PART #	DESCRIPTION	QTY.
394	Tail Mount Depth Regulator	1
415A	Hood Assembly	1
417	Bolt 5/16-18 x 1/2" HH GR5	2
48406	Black Knob 5/16-18	1
504	Lock Washer Spring 5/16"	3
509	Bolt 1/4-20 x 1/2"	2
53640	Drag Weldment	1
53698	Wheel, Left Lock Pin/Right Lockout	1
53699	Wheel, Right Lock Pin/Left Lockout	1
69170	Detent Pin 5/16 x 2" Zinc	1
719	Spring Washer 3/8"	2
727A	Forward Belt	1
730	Reverse Belt	1
740	Pulley, Two Groove Transmission	1
802	Bolt 5/16-24 x 3/4"	1
803	Washer 5/16" x 1-1/2"	1
804	Key 3/16" x 1"	1
8905F	Spring, Compression (7155)	2
8931	Bolt 1/4-20 X 2" SHCS (7155)	2
8932	Nut 1/4-20 (7155)	2

SRT MOTOR MOUNT PARTS EXPLOSION

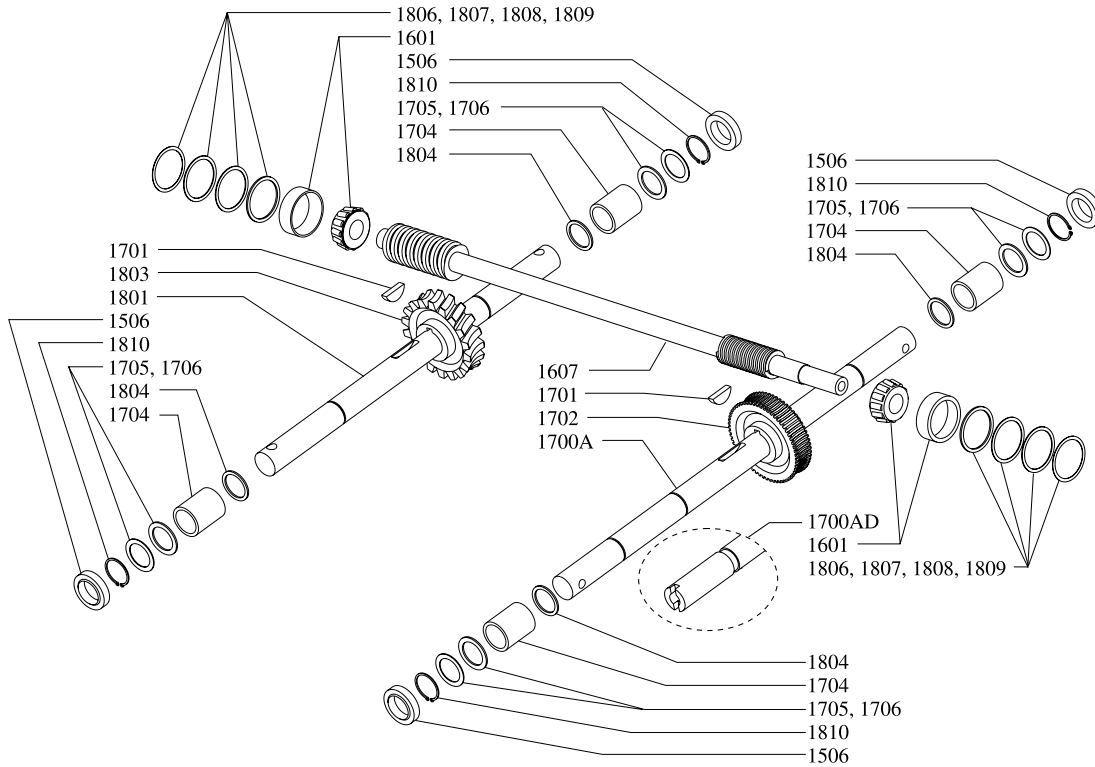


SRT MOTOR MOUNT PARTS LIST

PART #	DESCRIPTION	QTY.
1407	Forward Arm Spring	2
1408	Forward Pulley Idler	2
1416	Clevis Pin	1
1418	Cotter Pin 5/64" x 1/2"	1
1423	Bolt 5/16-18 x 2"	4
1501	Bolt 5/16-18 x 3/4"	9
2104	Nut 3/8-16	6
48144B	Bolt 3/8-16 x 2"	2
504	Lock Washer Spring 5/16"	5
53413	Dip Stick	1
53596B	Clevis Yoke Zinc Plated	1
53617	Forward Arm	1
53622	Cable Pull Weldment	1
53623	Motor Mount	1
53633	Belt Guide	1
53637	Forward Arm Bushing	1
53638	Plastic Push-in Rivet	1
53642	Engine Weight Block Shim	6

PART #	DESCRIPTION	QTY.
53648	Bumper Guard (7155)	1
53649	Belt Guard	1
53682	Reverse Tine Weldment	1
60365	Engine, 6.5 hp Viper (7065V)	1
60501	Engine, 6 hp Briggs & Stratton	1
60G56	Nut Bi-Way Lock 5/16-18	9
731	Two Groove Pulley 3/4"	1
739	Reverse Belt Guide	1
741	Drive Pulley Spacer, .900" (7065V)	1
742	Drive Pulley Spacer, .550"	1
743	Reverse Arm Bushing	1
802	Bolt 5/16-24 x 3/4"	2
803	Washer 5/16" x 1-1/2"	1
804	Key 3/16" x 1"	1
810	Bolt 5/16-24 x 1"	3
WF38	Flat Washer 3/8"	6
WF516	Flat Washer 5/16"	8

SRT WHEEL & TILLER SHAFT PARTS EXPLOSION & PARTS LIST



PART #	DESCRIPTION	QTY.
1500L	Transmission Complete, Lockout (7155)	1
1500P	Transmission Complete, Lock Pin	1
1506	Seal-Tiller Housing	4
1601	Bearing-Tapered (Includes Cone & Race)	2
1607	Main Drive Shaft, 23"	1
1700A	Wheel Shaft Assembly, Lock Pin	1
1700AD	Wheel Shaft Assembly, Lockout (7155)	1
1701	Key 1/4" x 1"	2
1702	Gear-Worm, Brass, 61 Tooth, Wheel Shaft	1
1703	Shim Set-Axle Spacer Kit	4
1704	Bushing	4
1705	Shim, 1.375 OD x .062" thick, (as required.)	4
1706	Shim, 1.375 OD x .030" thick, (as required.)	2

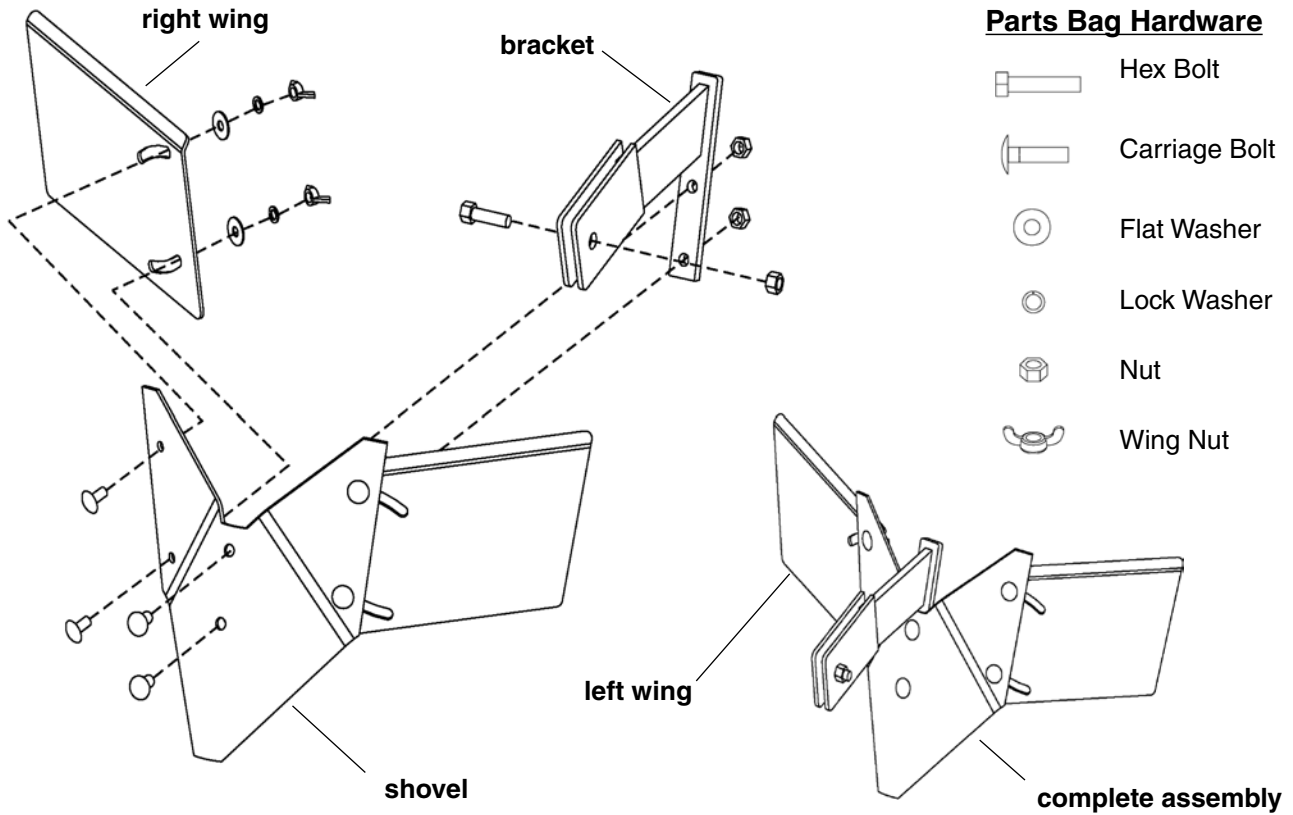
PART #	DESCRIPTION	QTY.
1801	Tine Shaft	1
1803	Gear-Worm, Brass, 30 Tooth, Tiller Shaft	1
1804	Spacer, 1.250" x 1.000" x .062" thick	4
1805	Shim Set-Bearing Cap	2
1806	Shim, 1.750 OD x .062" thick, (as required.)	6
1807	Shim, 1.750 OD x .030" thick, (as required.)	2
1808	Shim, 1.750 OD x .015" thick, (as required.)	2
1809	Shim, 1.750 OD x .010" thick, (as required.)	2
1810	Snap Ring-Retainer, Internal	4
494	Casting, Tiller Transmission	1

20002 HILLER/FURROWER KIT INSTALLATION (OPTIONAL ACCESSORY)*

Thank you for purchasing a hiller/furrower attachment for your rototiller. You will be pleased with the many work saving uses you can accomplish with this handy tool.

To assemble, attach furrower to bracket and then wings to furrower. Refer to exploded view below for detailed assembly. Adjust left and right wing carriage bolts in slots to get correct leveling of hills.

The furrower attaches to your tiller in just one easy step. Remove the hex bolt and nut inserted through the bracket and align with hole in drag stake holder just behind the drag stake under the hood. Insert hex bolt and nut and tighten securely.



PART #	DESCRIPTION	QTY.
1655	Bracket	1
1656	Left Wing	1
1659	Right Wing	1
1664	Shovel	1
1663	Parts Bag	1

* Standard feature on Model 7155

PART #	DESCRIPTION	QTY.
8955*	Bolt 3/8-16 x 1-1/4"	1
1661*	Carriage Bolt 5/16-18 x 3/4"	4
1653*	Carriage Bolt 5/16-18 x 1-1/2"	2
WF516*	Flat Washer 5/16"	4
1660*	Star Washer External Tooth 5/16"	4
1662*	Nyloc Nut 3/8-16	2
2104*	Lock Nut Hex 3/8-16	1
1202*	Wing Nut 5/16-18	4

*Included in Parts Bag 1663