

# **PARTS AND OPERATION MANUAL**



## **PLASTER/MORTAR MIXERS**

**EM-700S**

**EM-700P**

Revision #8 (03/17/06)

Here's How To Get Help ..... 3  
Table Of Contents ..... 4  
Parts Ordering Procedures ..... 5  
Rules for Safe Operation & Safety Decals ..... 6  
Warranty ..... 7

**ESSICK — 700S & 700P**

Operations ..... 8-11  
Specifications ..... 12  
Explanation Of Codes In Remarks Column ..... 14  
Suggested Spare Parts ..... 15  
Drum Head and Paddle Shaft Assembly ..... 16-17  
Steel Drum (S) ..... 18-19  
Polyethylene Drum (P) ..... 20-21  
Gas Engines, Pulleys & Cab Assembly ..... 22-23  
Electric Motor & Pulleys ..... 24-25  
Axle & Wheel Group ..... 26-27  
  
Terms and Conditions Of Sale — Parts ..... 28

# EM-700S & 700P — SUGGESTED SPARE PARTS

## EM-700S/P

### 1 to 4 Units

<u>Qty.</u>	<u>P/N</u>	<u>Description</u>
3	EM505834	V-BELT
3	EM507846	V-BELT, w/ELECTRIC MOTOR
6	491010	LATCH ASSY
3	EM203010	BLADE KIT STEEL DRUM
3	EM204624	BLADE KIT POLY DRUM
12	EM200301	PACKING RING
4	EM200794	SPRING
4	EM200286	SPECIAL BOLT
1	3351	PINION GEAR

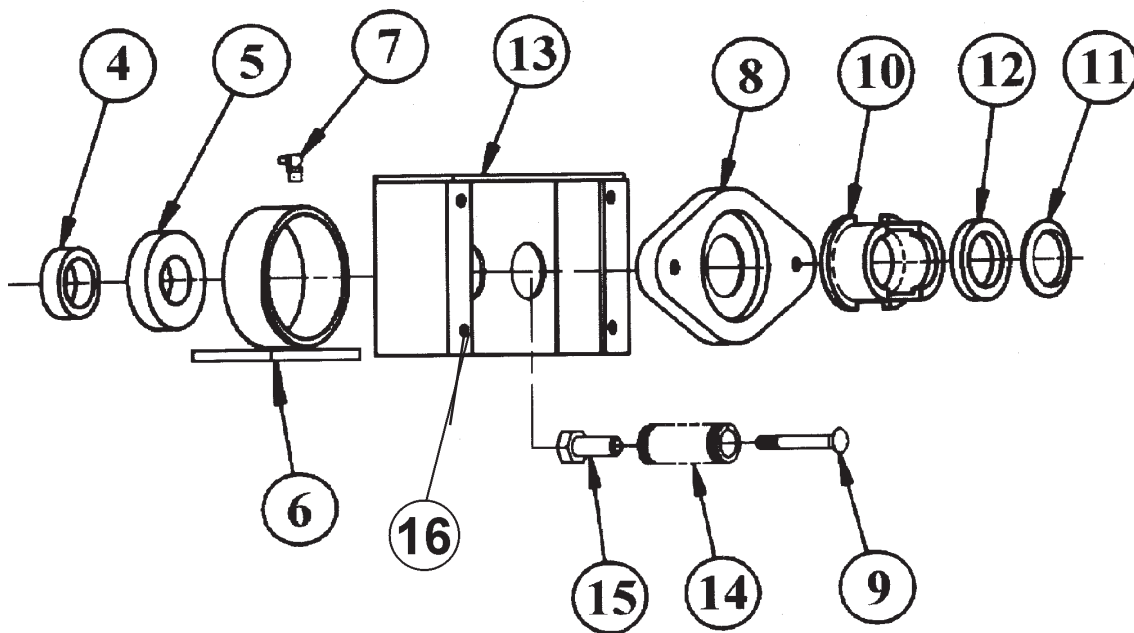
## EM-700S/P

### 5+ Units

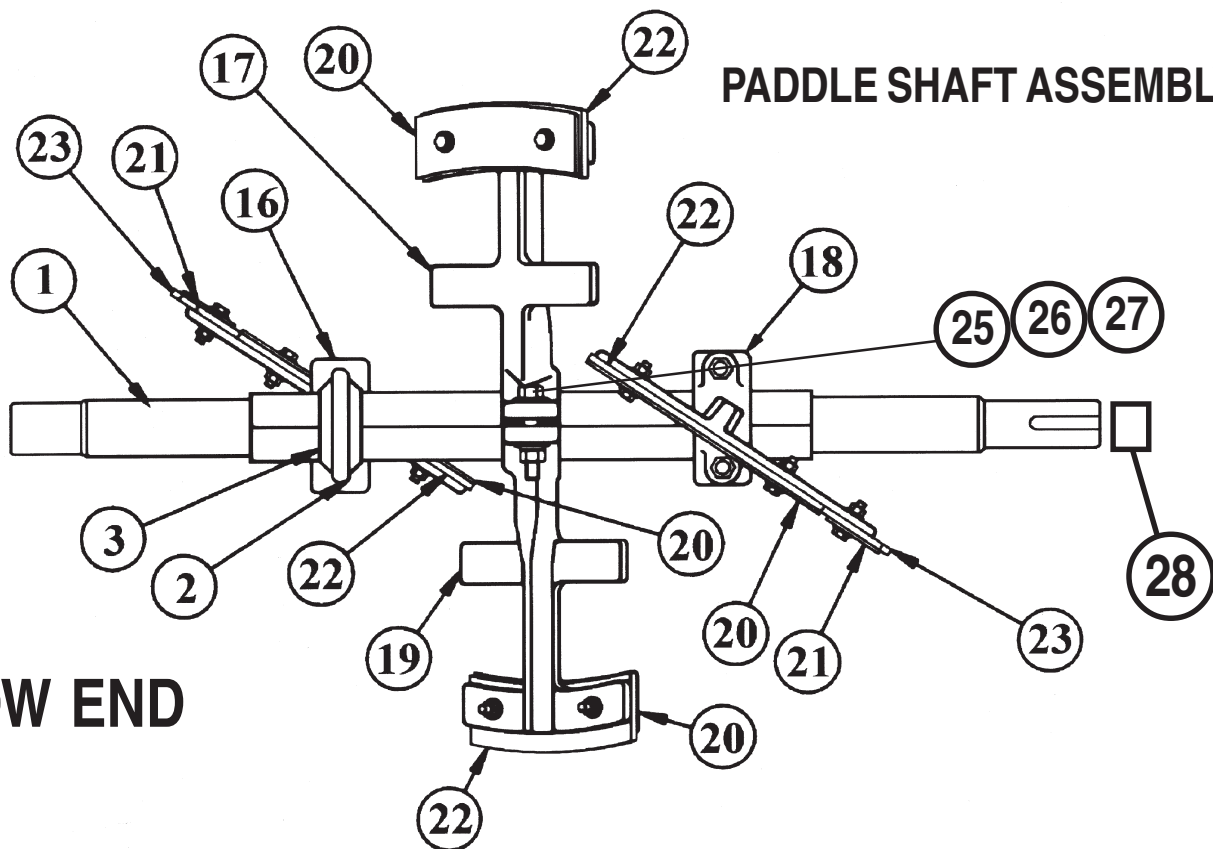
<u>Qty.</u>	<u>P/N</u>	<u>Description</u>
5	EM505834	V-BELT
5	EM507846	V-BELT, w/ELECTRIC MOTOR
10	491010	LATCH ASSY
5	EM203010	BLADE KIT (700S) STEEL DRUM
5	EM204624	BLADE KIT (700P) POLY DRUM
24	EM200301	PACKING RING
8	EM200794	SPRING
8	EM200286	SPECIAL BOLT
2	EM902153	BEARING
1	EM940734	SWITCH, ON/OFF
1	509171	DUMP HANDLE, POLY DRUM
2	3351	DRIVEN PINON GEAR
1	EM201537	DUMP HANDLE, STEEL DRUM
2	3065	SEAL, AXLE
2	3469	DUST CAP, AXLE
2	EM903049	BEARING CONE UP TO S/N 9896000
2	EM903113	BEARING CONE STARTING S/N 2080000
2	EM903012	BEARING CUP

# EM-700S & 700P — DRUM HEAD AND PADDLE SHAFT ASSY

## DRUM HEAD



## PADDLE SHAFT ASSEMBLY



## TOW END

# EM-700S & 700P — DRUM HEAD AND PADDLE SHAFT ASSY

## DRUM HEAD AND PADDLE SHAFT ASSY

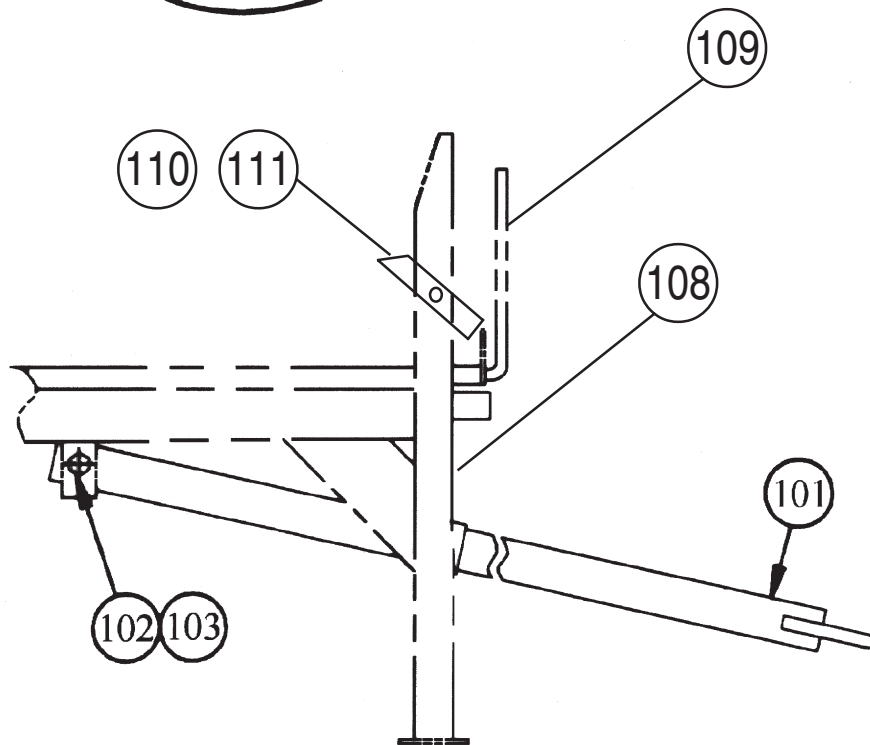
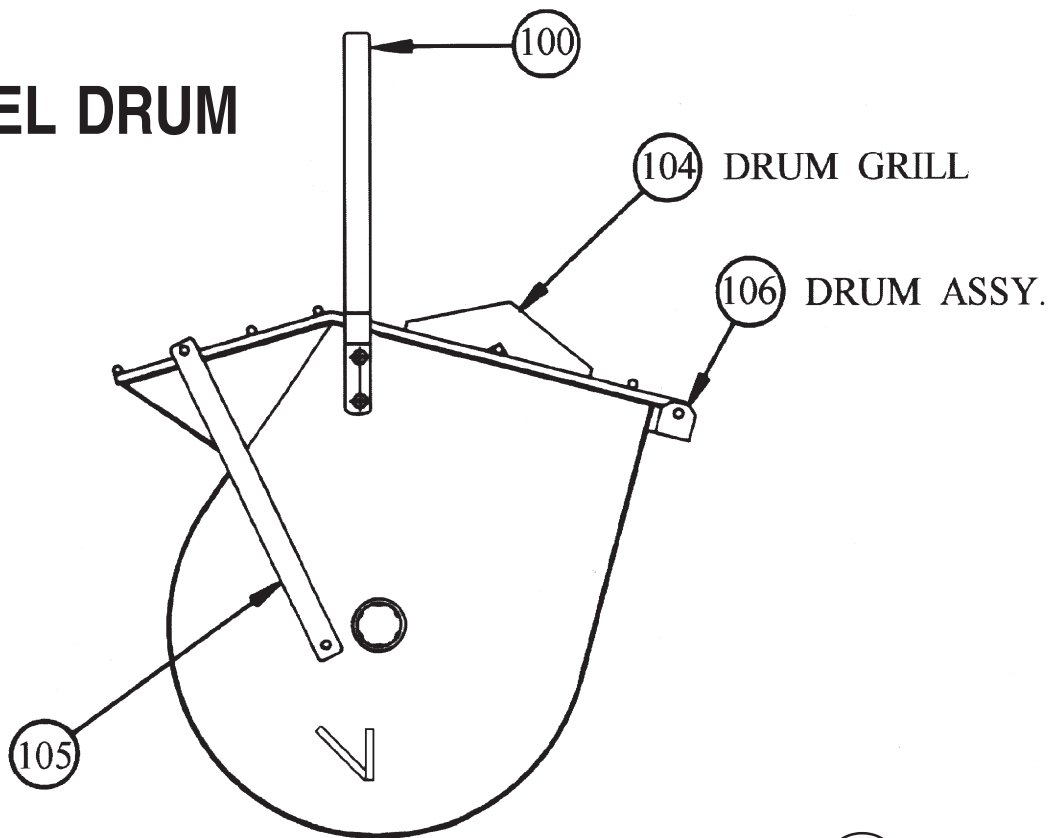
### DRUM HEAD PARTS

<u>NO.</u>	<u>PART NO.</u>	<u>PART NAME</u>	<u>QTY.</u>	<u>REMARKS</u>
1	EM507274	PADDLE SHAFT	1	
2	EM200297	U-BOLT	2	
	EM968011	NUT HEX ½-13	4	
3	EM200292	U-BOLT INSERT	4	
4	EM200018	COLLAR	1	
5	EM902153	BEARING	2	
6	EM507720	DUMP BEARING .....	2	FROM S/N 98624071
6	500076	DUMP BEARING .....	2	FROM S/N 9862400 TO 9862470
7	EM916019	GREASE ZERK .....	2	REPLACES 491705
8	EM200288	ADJUSTING PLATE	2	
9	EM200286	SPECIAL BOLT	4	
10	EM200285	PACKING GLAND HALF	4	
11	EM200303	FOLLOWER	2	
12	EM200301	PACKING RING	12	
13	EM201648	DRUM HEAD .....	2	FROM S/N 98624071
13	EM507272	DRUM HEAD .....	2	FROM S/N 9862400 TO 9862470
14	EM200794	SPRING	4	
15	EM200287	ADJUSTING NUT	4	
16	EM966048	BOLT	8	

### PADDLE SHAFT ASSEMBLY

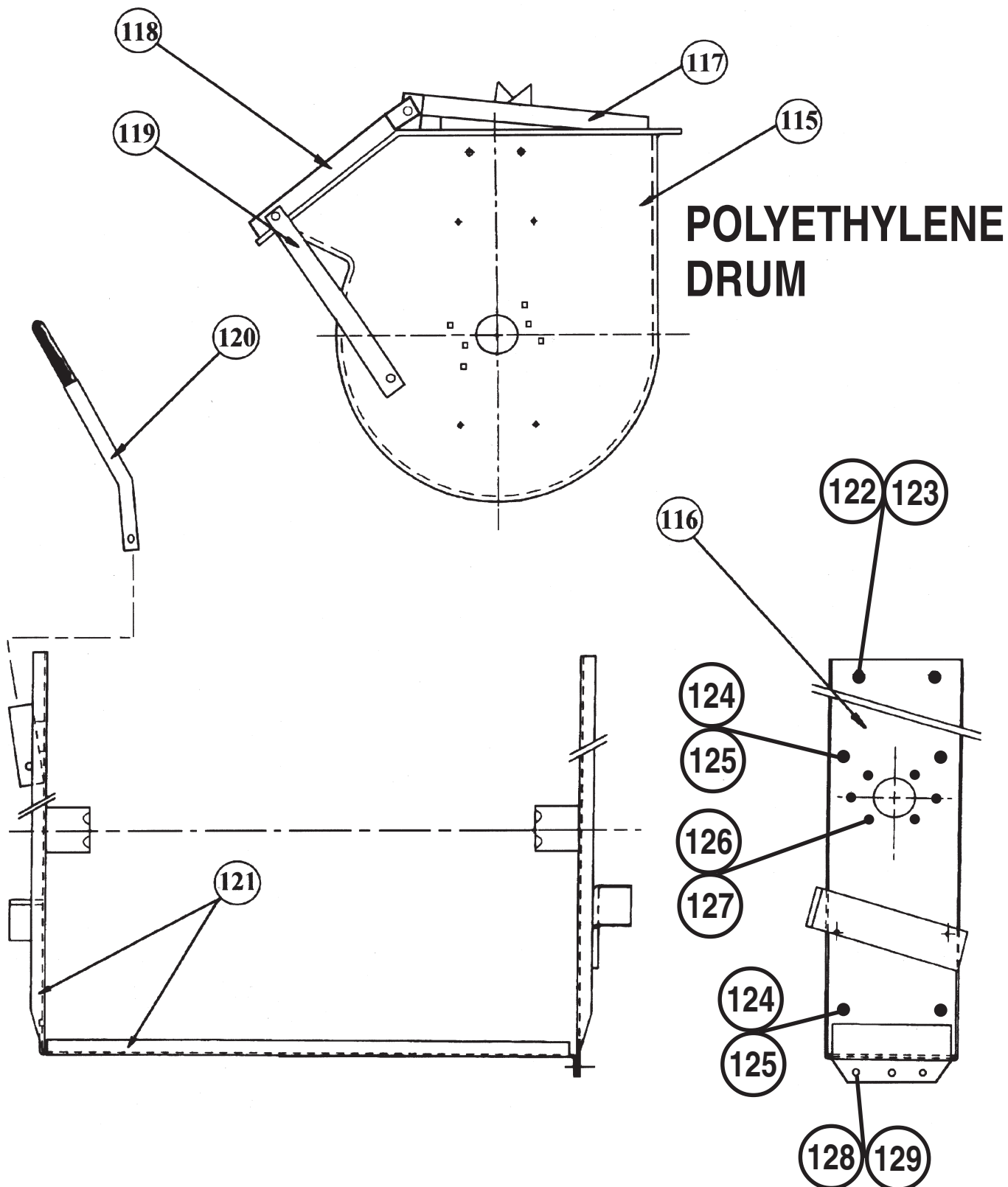
<u>NO.</u>	<u>PART NO.</u>	<u>PART NAME</u>	<u>QTY.</u>	<u>REMARKS</u>
16	EM202899	PADDLE ARM-TOW END	1	
17	EM202897	PADDLE ARM-CENTER	1	
18	EM202898	PADDLE ARM-ENGINE END	1	
19	EM202896	PADDLE ARM-CENTER	1	
20*#	EM202928	TOP STEEL BLADE	4	
21*EM923638	EM202927			DRUM END STEEL BLADE2
22*	EM202929	TOP RUBBER BLADE (STEEL) DRUM ONLY	4	
22#	EM507497	TOP PLASTIC BLADE (POLY) DRUM ONLY	4	
23#	EM507496	DRUM END PLASTIC BLADE (POLY) DRUM ONLY	2	
23*	EM202926	DRUM END RUBBER BLADE (STEEL) DRUM ONLY	2	
25	EM963110	BOLT ½-13 X 3-3/4	1	
26	EM923638	LOCK WASHER ½	1	
27	EM968011	HEX NUT ½-13	1	
28	EM507251	SPACER, BULL GEAR	1	
	EM203010	BLADE KIT, (STEEL) DRUM ONLY .....	1	INCLS w/* AND MTG. & HDWR
	EM204624	BLADE KIT, (POLY) DRUM ONLY .....	1	INCLS w/# AND MTG. & HDWR
	EM203029	HARDWARE KIT, (RUBBER/POLY BLADES) .....	1	INCLUDED IN BLADE KITS

# STEEL DRUM



## STEEL DRUM

<u>NO.</u>	<u>PART NO.</u>	<u>PART NAME</u>	<u>QTY.</u>	<u>REMARKS</u>
100*	EM201537	DUMP HANDLE	1	
101	EPC-1	TOWING TONGUE (P. EYE) .....	1	NO LONGER AVAILABLE
101	EBC-1	TOWING TONGUE (PIN HOLE) .....	1	CONTACT MQ SALES DEPT./ACCESSORY ITEM
101	HBC-1	TOWING TONGUE (BALL HITCH) .....	1	CONTACT MQ SALES DEPT./ACCESSORY ITEM
102	EM963580	CAP SCREW .....	1	REPLACES 505067
103	EM969038	LOCK NUT .....	1	REPLACES 505069
104*	EM203333	DRUM GRILL	1	
105*	EM507271	GRILL OPEN BAR	1	
106+	EM507767	DRUM ASSY (STEEL) .....	1	INCLS. ITEMS w/*
	EM507768	DRUM & SHAFT ASSY. (COMPLETE) (STEEL) .....	1	INCLS. ITEMS w/+ AND DRUM HEAD & PADDLE SHAFT ASSY
108	EM506309	MAIN FRAME	1	
109	507264	CLUTCH LEVER	1	
110	EM507421	DUMP LATCH	1	
111	EM507835	CLEVIS PIN	1	
<input type="checkbox"/>	13363	SAFETY CHAIN	1	
<input type="checkbox"/>	01004	5/16" CONNECTOR LINK	2	
<input type="checkbox"/>	ILLUSTRATED ON PAGE 10			



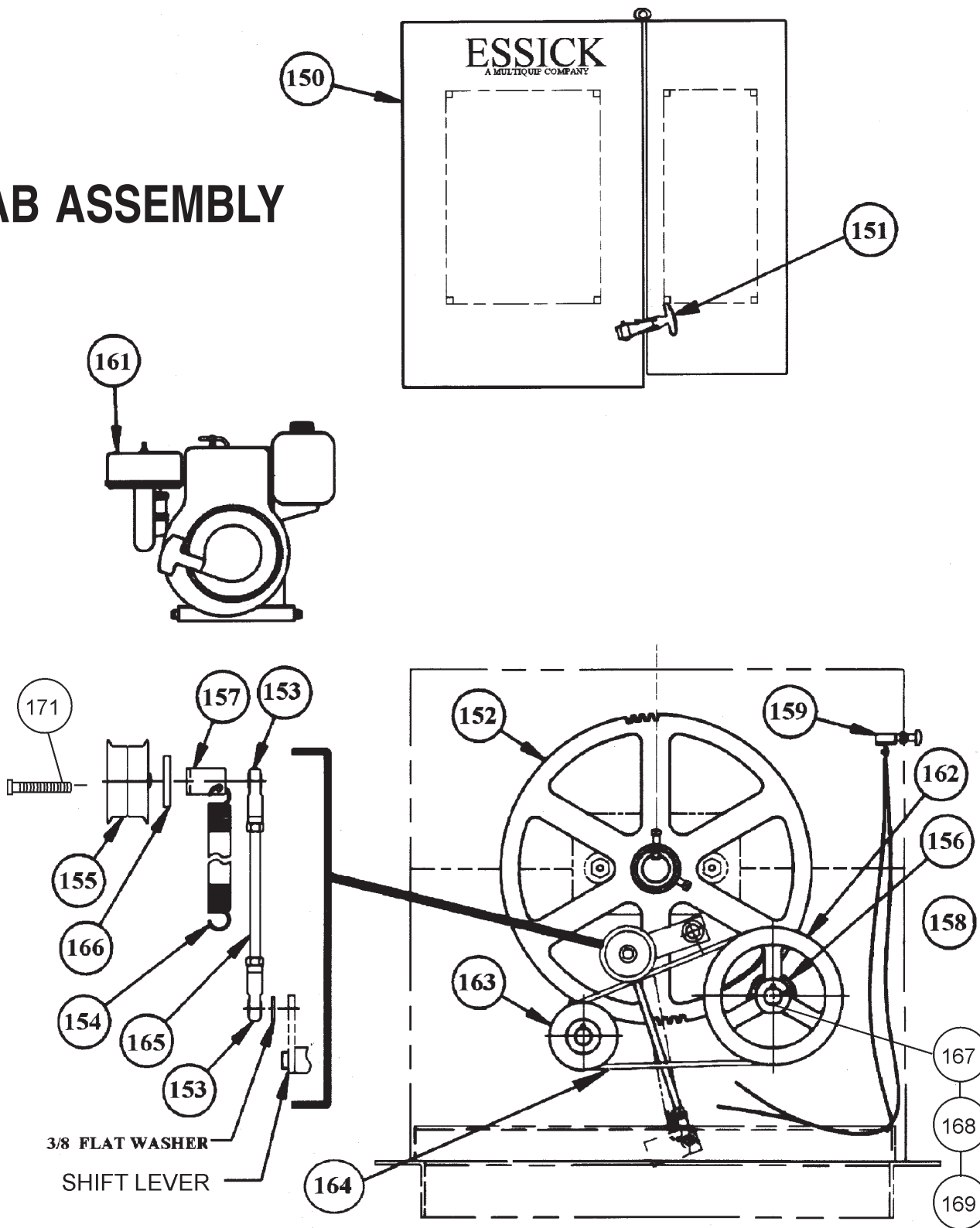
# EM-700P — POLYETHYLENE DRUM

POLYETHYLENE DRUM

## MODEL EM-700P

<u>NO.</u>	<u>PART NO.</u>	<u>PART NAME</u>	<u>QTY.</u>	<u>REMARKS</u>
115*	EM506311	PLASTIC DRUM W/O GRATES	1	
116	EM507414	SUPPORT REAR	1	
117*	504534	STATIONARY GRATE	1	
118*	504535	MOVEABLE GRATE	1	
119*	507493	GRATE OPEN BAR	1	
120*	509171	DUMP HANDLE	1	
121	EM507413	DRUM SUPPORT	1	
	EM509603	DRUM & SHAFT ASSY (COMPLETE) (POLY) .....	1 .....	INCLS ITEMS w/* AND HEAD END & PADDLE SHAFT ASSY
122	EM963610	HHCS 3/8" NC X 1/4" G-5 .....	7 .....	REPLACES 492376
123	EM969013	LOCK NUT 3/8" NC .....	7 .....	REPLACES 492583
124	504987	FHCS 1/4" NC X 1" G-5	8	
125	EM969079	LOCK NUT 1/4" NC .....	8 .....	REPLACES EM492581
126	505196	3/8 X 1 1/2" HHCS	8	
127	505066	3/8" LOCKNUT	8	
128	492392	1/2" X 1 NC G-5 BOLT	3	
129	492584	1/2" LOCK NUT	3	

# CAB ASSEMBLY



# EM-700S & 700P — GAS ENGINES, PULLEYS & CAB ASSEMBLY

## CAB ASSEMBLY & GAS ENGINES

### COMMON PARTS

<u>NO.</u>	<u>PART NO.</u>	<u>PART NAME</u>	<u>QTY.</u>	<u>REMARKS</u>
150	EM507159	CAB ASSEMBLY	1	
151	491010	LATCH ASSEMBLY .....	2	REPLACES 504744
152	EM505671	DRIVE GEAR 16-½ DIA.	1	
153	EM959080	ROD END	2	
154	EM102014	SPRING	1	
155	EM901515	IDLER PULLEY	1	
156	EM905016	PILLOW BLOCK BEARING	2	
157	EM203098	SPRING CLIP	1	
158	3351	DRIVEN PINION GEAR .....	1	REPLACES 500272
159	EM940734	SWITCH, ON/OFF	1	
167	502226	COUNTER SHAFT	1	
168	JISB2804C25	SNAP RINGS .....	2	REPLACES 490957
169	500214	KEY	1	
170	EM010023	KEY	1	
171	EM963064	BOLT HEX 3/8 X 16 X 3-1/4	1	

### MODEL EM 700 w/HONDA

<u>NO.</u>	<u>PART NO.</u>	<u>PART NAME</u>	<u>QTY.</u>	<u>REMARKS</u>
161	GX240K1HA2	HONDA ENGINE GX240 K1HA 8HP .....	1	REPLACES 493261
161	GX160K1HX2	HONDA ENGINE GX160 5.5HP ENG.	1	
162	492057	DRIVEN PULLEY-LARGE	1	
163	EM901074	DRIVE PULLEY-SMALL 1" BORE-8HP HONDA	1	
163	492055	DRIVE PULLEY-5.5 HP HONDA	1	
164	EM505834	V-BELT	2	
165	EM507490	THREADED ROD	1	
166	EM507491	IDLER ARM	1	

### MODEL EM 700 w/WISCONSIN

<u>NO.</u>	<u>PART NO.</u>	<u>PART NAME</u>	<u>QTY.</u>	<u>REMARKS</u>
161	EM937171	ENGINE WISCONSIN BKN2-408472 .....	1	REPLACES 505208
162	EM505204	DRIVEN PULLEY	1	
163	505205	DRIVE PULLEY	1	
164	507775	V-BELT	2	
165	EM507771	THREADED ROD	1	
166	EM203352	IDLER ARM	1	

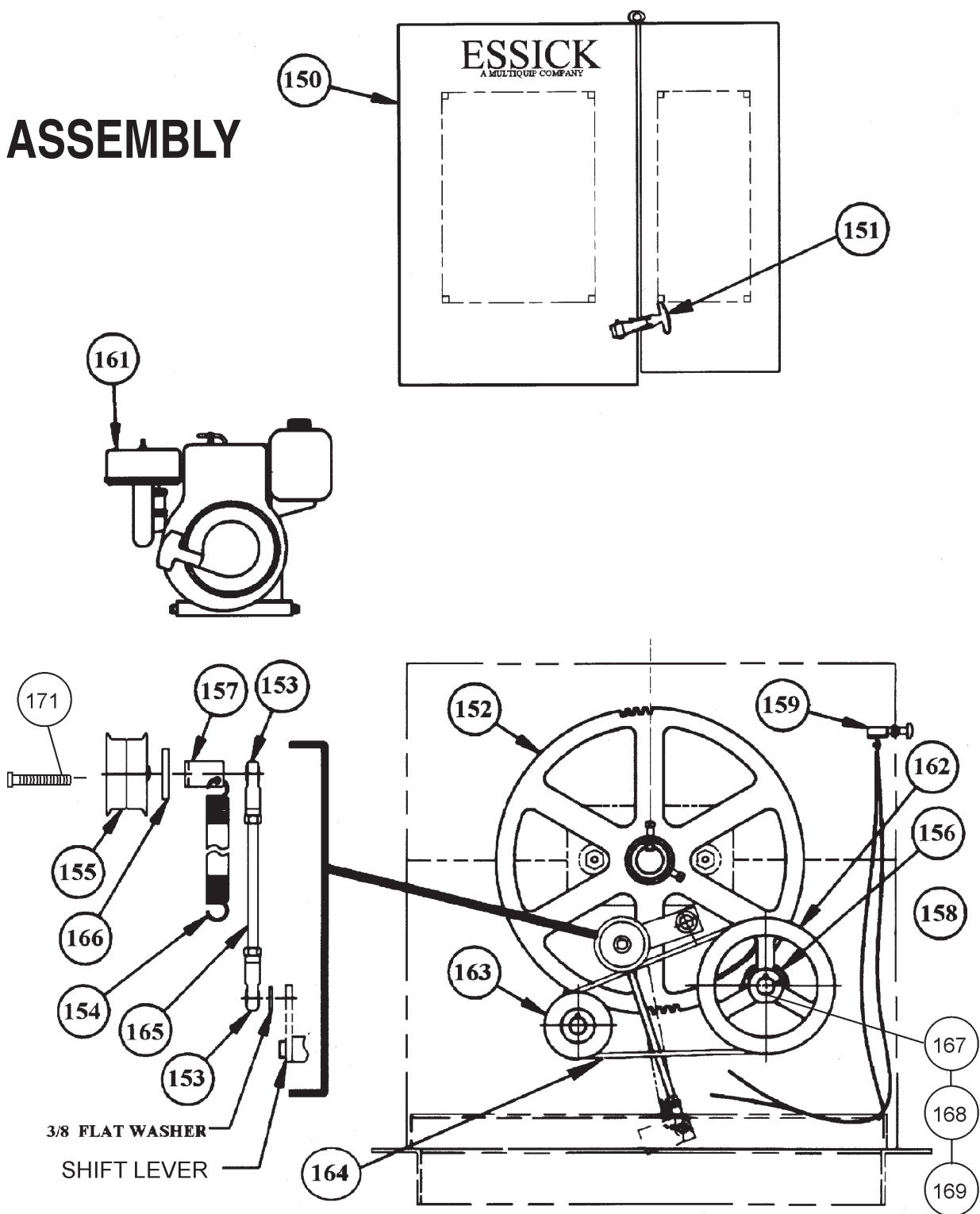
### MODEL EM 700 w/ROBIN

<u>NO.</u>	<u>PART NO.</u>	<u>PART NAME</u>	<u>QTY.</u>	<u>REMARKS</u>
161	W1280800466	ROBIN ENGINE 8HP EY-28 .....	1	UP TO OCTOBER, 1999
161	EH252YR0000	ROBIN ENGINE 8HP EH25-2 .....	1	STARTING OCTOBER, 1999, REPLACES 493260
162	492057	DRIVEN PULLEY-LARGE	1	
163	492054	DRIVE PULLEY-SMALL	1	
164	EM505834	V-BELT	2	
165	EM507490	THREADED ROD	1	
166	EM203352	IDLER ARM	1	

### MODEL EM-700 w/B&S

<u>NO.</u>	<u>PART NO.</u>	<u>PART NAME</u>	<u>QTY.</u>	<u>REMARKS</u>
161	1964521049	B&S ENGINE 8HP .....	1	REPLACES 493181
161	1352321036E1	B&S ENGINE 5HP	1	
162	492057	DRIVEN PULLEY-LARGE	1	
163	EM901074	DRIVE PULLEY-SMALL 1" BORE	1	
164	EM505834	V-BELT	2	
165	EM507490	THREADED ROD	1	
166	EM507491	IDLER ARM	1	

CAB ASSEMBLY



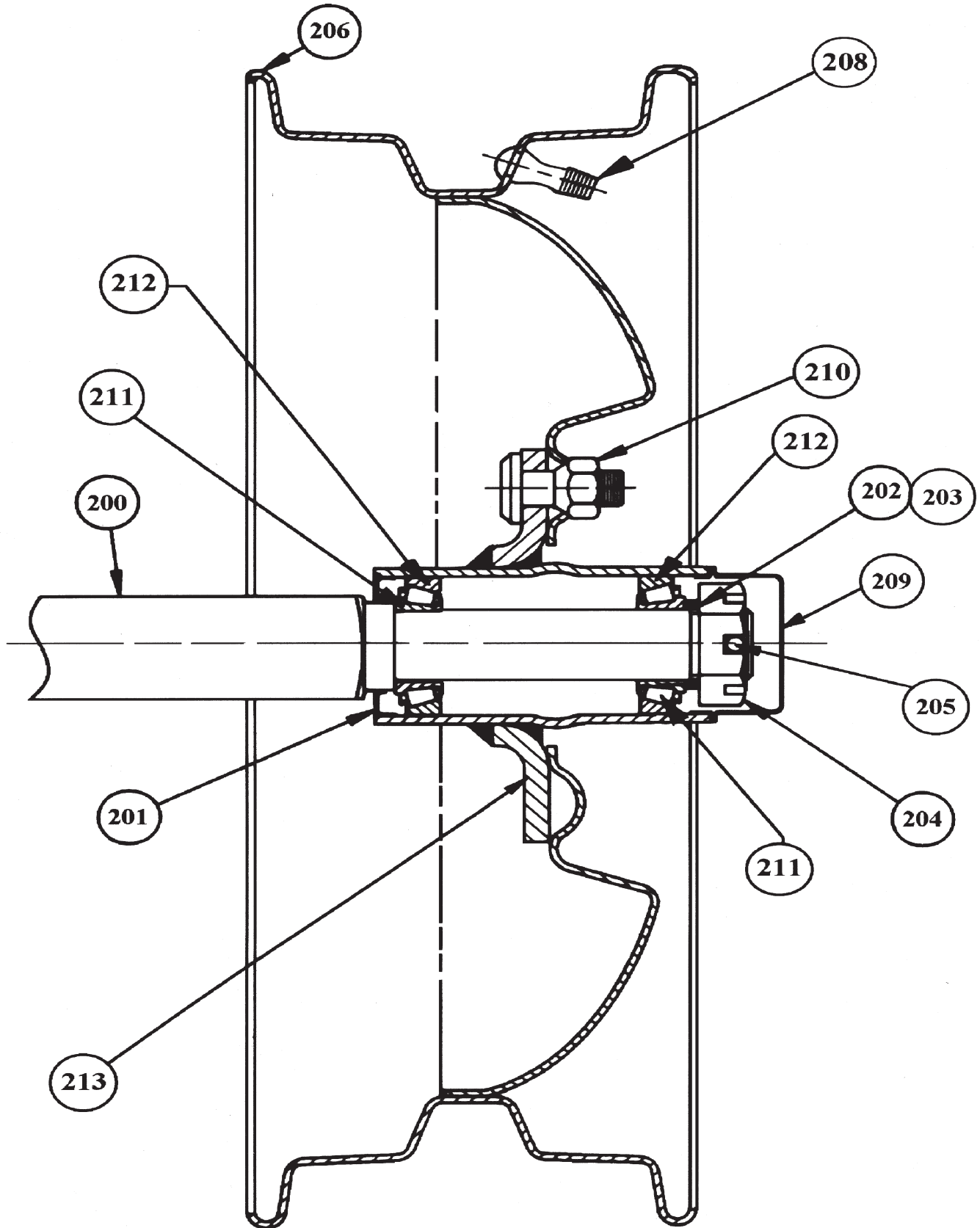
# EM-700S & 700P — ELECTRIC MOTOR & PULLEYS

## ELECTRIC MOTOR & PULLEYS

<u>NO.</u>	<u>PART NO.</u>	<u>PART NAME</u>	<u>QTY.</u>	<u>REMARKS</u>
161	P145K17DB45A	ELECTRIC MOTOR 1.5 H.P .....	1 .....	REPLACES 939275 & 3197
162	EM505204	DRIVEN PULLEY	1	
163	502213	DRIVE PULLEY .....	1 .....	REPLACES 901019
164	EM507846	V-BELT	2	
165	EM507490	THREADED ROD	1	
166	EM507713	IDLER ARM	1	
	507715	GUIDE, V-BELT .....	1 .....	NOT ILLUSTRATED

FOR COMMON PARTS SEE PAGE 23

# EM-700S & 700P — AXLE & WHEEL GROUP



# EM-700S & 700P — AXLE & WHEEL GROUP

## AXLE & WHEEL GROUP

<u>NO.</u>	<u>PART NO.</u>	<u>PART NAME</u>	<u>QTY.</u>	<u>REMARKS</u>
200	EM507407	AXLE, RIGID .....	1 .....	UP TO S/N 98960000
200	511334	AXLE, RIGID .....	1 .....	STARTING S/N 20800000
201*#	3065	SEAL	2	
202	504708	THICK SPACER .....	2 .....	3/4" INSIDE DIAMETER
203	507444	THIN SPACER .....	2 .....	3/4" INSIDE DIAMETER
204	3068	AXLE NUT .....	2 .....	UP TO S/N 98960000
204	8164	AXLE NUT .....	2 .....	STARTING S/N 20800000
205	0183	COTTER PIN	2	
206	3005	RIM & TIRE ONLY	2	
208	EM942000	VALVE STEM .....	1 .....	REPLACES 942052
209*#	3469	DUST CAP	2	
210*#	8115	LUG NUT	8	
211*	EM903049	BEARING CONE .....	2 .....	UP TO S/N 9896000
211#	EM903113	BEARING CONE .....	2 .....	STARTING S/N 20800000
212*#	EM903012	BEARING CUP	2	
213	3504	HUB, w/BEARING CUP .....	2 .....	UP TO S/N 9896000, INCLUDES ITEMS w/*
213	EM941306	HUB, w/BEARING CUP .....	2 .....	STARTING S/N 20800000, INCLUDES ITEMS w/#