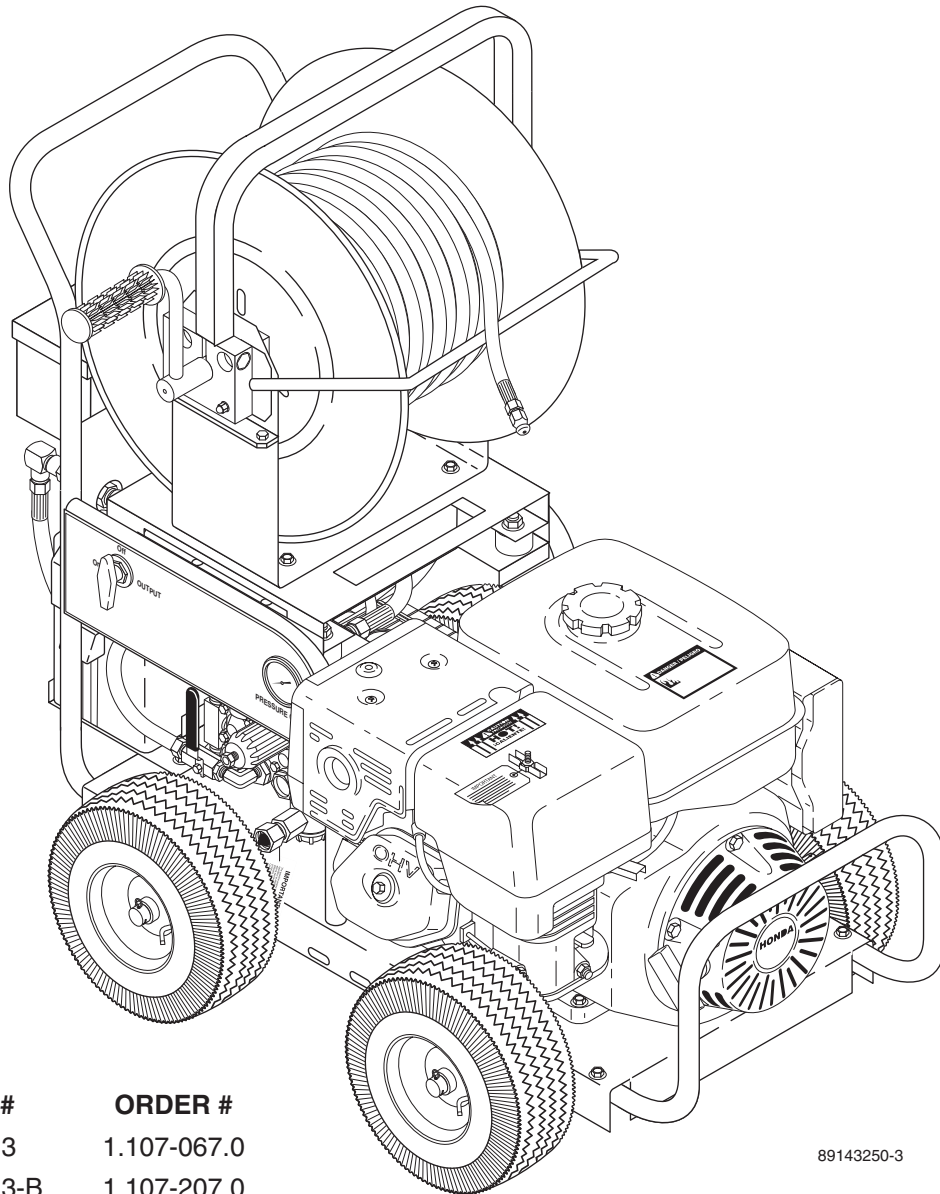




# ***SJGDG-3013***

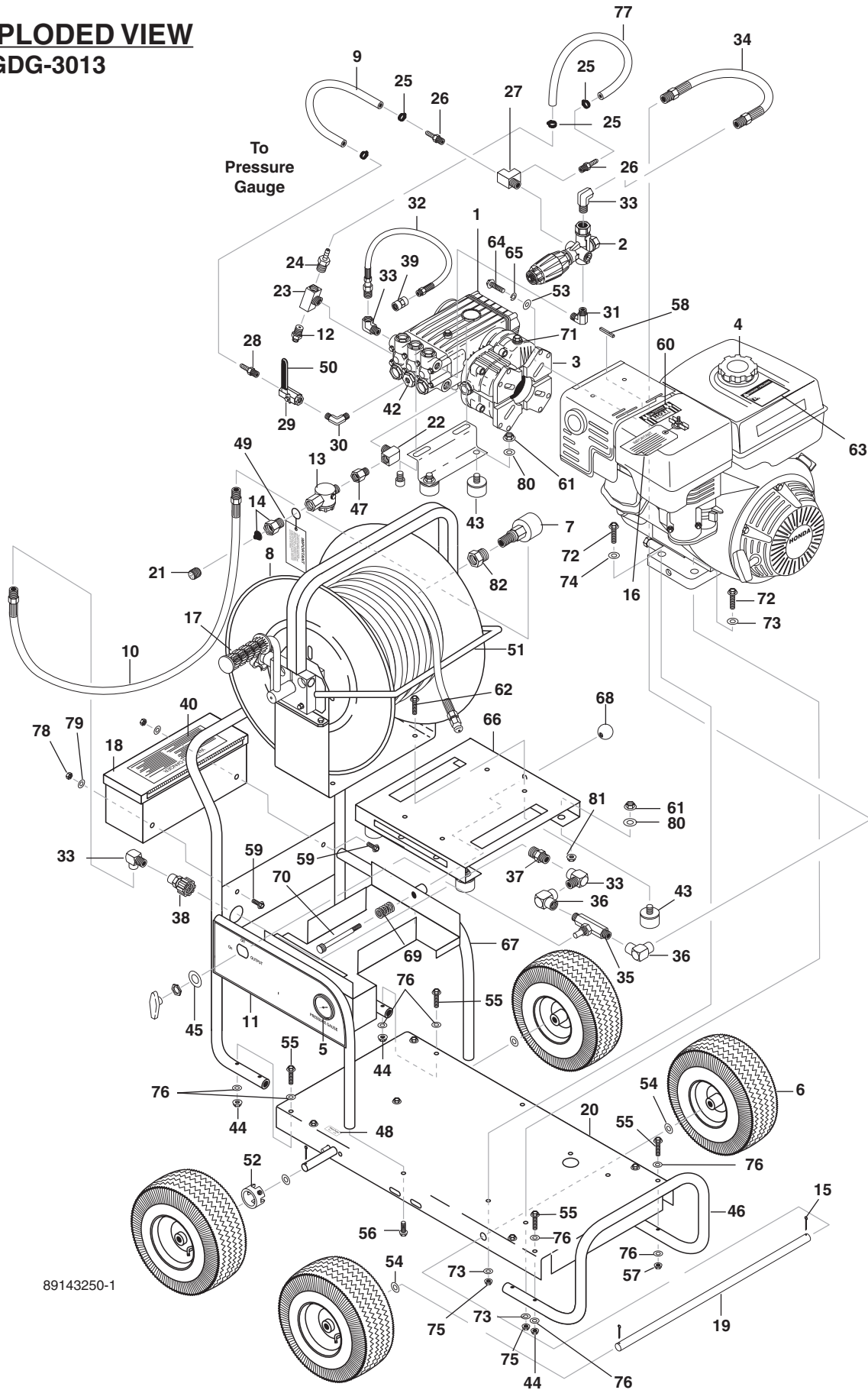
# **OPERATOR'S MANUAL**



| <b>MODEL #</b> | <b>ORDER #</b> |
|----------------|----------------|
| SJGDG-3013     | 1.107-067.0    |
| SJGDG-3013-B   | 1.107-207.0    |
| SJGDG-3013-C   | 1.107-208.0    |

89143250-3

**EXPLODED VIEW**  
**SJGDG-3013**



89143250-1

## EXPLODED VIEW PARTS LIST SJGDG-3013

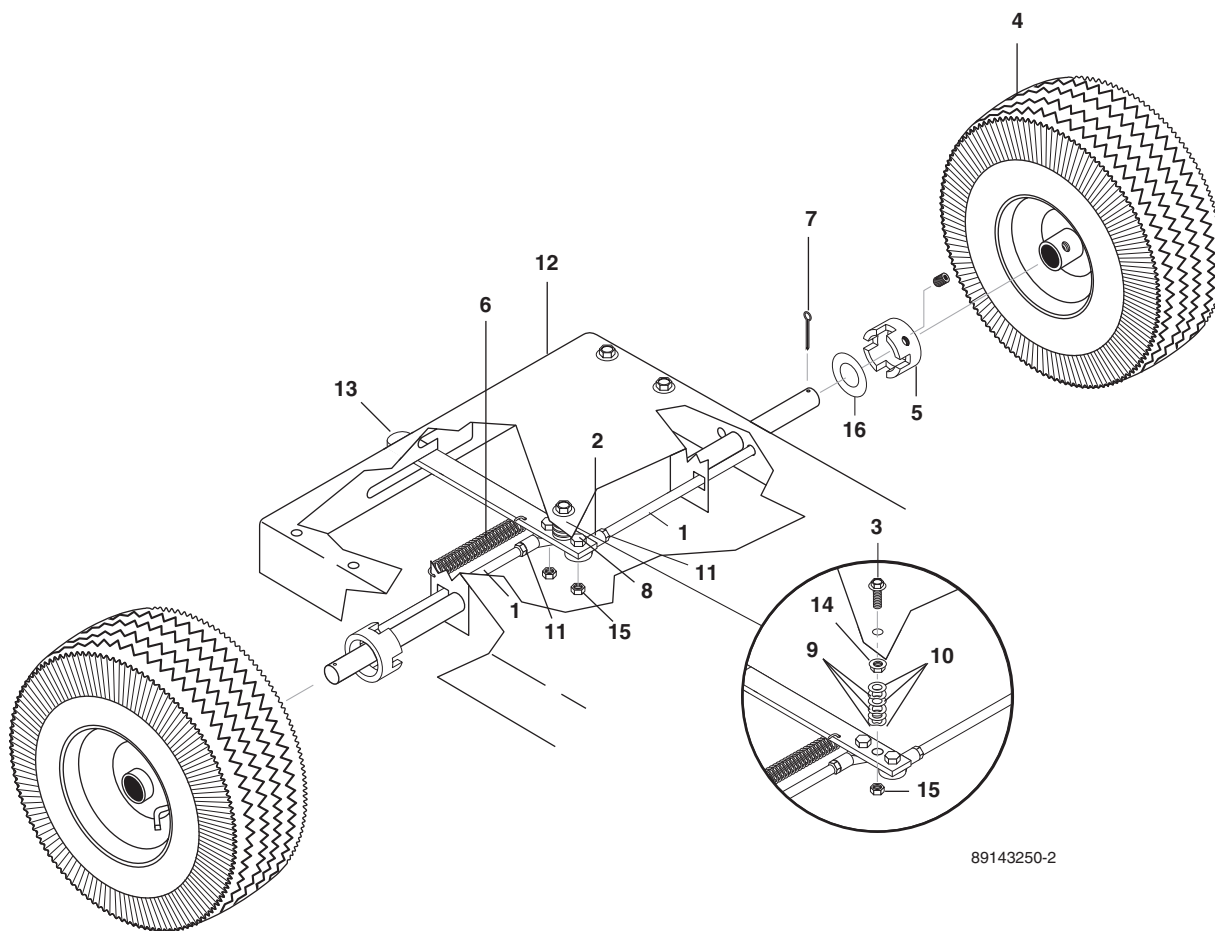
| ITEM | PART NO.    | DESCRIPTION                                       | QTY | ITEM | PART NO.    | DESCRIPTION                                      | QTY |
|------|-------------|---|-----|------|-------------|--|-----|
| 1    | 8.715-360.0 | Pump, General TS-1511                             | 1   | 33   | 8.706-207.0 | Elbow, 3/8", Street                              | 4   |
| 2    | 8.750-298.0 | Unloader, VRT 3, 8 GPM @ 3630 PSI,                | 1   | 34   | 8.918-194.0 | Hose, 3/8" x 22.5", 1 Wire, 3/8" MPT x 3/8" MPTS | 1   |
| 3    | 8.715-342.0 | Gear Reduction                                    | 1   | 35   | 8.707-218.0 | Valve, 3/8" Ball 2 Way, Brass                    | 1   |
| 4    | 8.750-580.0 | Engine, Honda, 13 HP (SJGDG-3013)                 | 1   | 36   | 8.706-167.0 | Elbow, 3/8", Female, Pipe                        | 2   |
| 5    | 8.712-150.0 | Gauge, 0-6000 PSI                                 | 1   | 37   | 8.707-185.0 | Plug, QDisc, 3/8" x 22 mm                        | 1   |
| 6    | 9.802-270.0 | Wheel & Tire Assy, 4" Tubeless, 5/8" Hub          | 4   | 38   | 8.707-182.0 | Coupler, 3/8" Female, Screw                      | 1   |
| 7    | 8.711-875.0 | Swivel, 1/2" x 3/8"                               | 1   | 39   | 8.706-134.0 | Coupler, 1/4" Pipe                               | 1   |
| 8    | 8.711-865.0 | Hose Reel, 18"                                    | 1   | 40   | 8.900-866.0 | Label, Warning - Danger                          | 1   |
| 9    | 9.802-259.0 | Hose, 1/2" Push-On                                | 14" | 41   | 8.900-978.0 | ▲ Label, Warning, High Pressure Outlet           | 1   |
| 10   | 8.918-201.0 | Hose, 3/8" x 34.5", 1 Wire                        | 1   | 42   | 8.704-712.0 | Cap, Valve with 1/4" Gauge Port, 47 Series       | 1   |
| 11   | 8.901-074.0 | Label, Control Panel                              | 1   | 43   | 8.706-519.0 | Bumper, Rubber 1" w/Bolt, 5/16" x 1/2"           | 6   |
| 12   | 8.707-256.0 | Pump Protector, 1/2" 140°                         | 1   | 44   | 9.802-776.0 | Nut, Whiz Loc 5/16" Flange                       | 8   |
| 13   | 9.802-163.0 | Strainer, 1/2", Inline                            | 1   | 45   | 8.750-982.0 | Washer, Brass 3/4"                               | 1   |
| 14   | 9.802-146.0 | Swivel, 1/2" MP x 3/4" GHF, w/Strainer            | 1   | 46   | 8.911-662.0 | Handle, Bumper                                   | 1   |
|      | 9.802-179.0 | ▲ Anti-Siphon Valve                               | 1   | 47   | 8.706-984.0 | Adapter, 1/2" x 1/2" Pipe                        | 1   |
| 15   | 8.719-058.0 | Pin, 1/8" x 1-1/4" Cotter                         | 4   | 48   | 8.940-347.0 | Label, Pulse, On/Off                             | 1   |
| 16   | 8.900-967.0 | Tag, Caution, No Oil In Engine                    | 1   | 49   | 8.901-120.0 | Tag, Water Temp To Pump                          | 1   |
| 17   | 9.802-069.0 | Grip, 1" Handle (Waffle)                          | 1   | 50   | 8.706-695.0 | Cover, Handle, Pulse LG 3000                     | 1   |
| 18   | 8.911-665.0 | Assy, Tool Box, Black                             | 1   | 51   | 8.911-664.0 | Hose Guard, SJGDG-3013                           | 1   |
| 19   | 8.911-663.0 | Axle, 21" SJGDG-3013                              | 1   | 52   | 8.719-924.0 | Collar, Break Lock                               | 2   |
| 20   | 8.911-659.0 | Assy, Frame, SJGDG-3013                           | 1   | 53   | 8.718-980.0 | Washer, 5/16" Flat                               | 4   |
| 21   | 8.706-742.0 | Plug, Garden Hose Adapter, Plastic                | 1   | 54   | 9.802-810.0 | Washer, 5/8" Flat, SAE                           | 4   |
| 22   | 8.706-829.0 | Elbow, 1/2" Street, Brass                         | 1   | 55   | 9.802-714.0 | Bolt, 5/16" x 1-3/4 NC HH                        | 8   |
| 23   | 9.802-118.0 | Tee, 1/2" Branch, Male                            | 1   | 56   | 9.803-551.0 | Screw, 5/16" x 3/4", Whiz Loc                    | 2   |
| 24   | 8.706-947.0 | Hose Barb, 1/2" Barb x 1/2" MNPT, Brass           | 1   | 57   | 8.718-980.0 | Washer, 5/16" Flat                               | 1   |
| 25   | 9.802-201.0 | Clamp, Screw #6                                   | 4   | 58   | 9.802-959.0 | Key, 0.247 Sqr. x 2.125"                         | 1   |
| 26   | 8.706-337.0 | Hose Barb, 1/2" Barb x 3/8" MNPT                  | 12  | 59   | 9.802-754.0 | Screw, 1/4" x 1/2", HH NC, Whiz Loc              | 2   |
| 27   | 8.706-859.0 | Tee, 3/8" Street                                  | 1   | 60   | 9.800-006.0 | Label, Hot, Caliente                             | 1   |
| 28   | 8.706-338.0 | Hose Barb, 1/2" Barb x 1/4" MNPT, Steel           | 1   | 61   | 9.802-776.0 | Nut, 5/16" ESNA, NC                              | 6   |
| 29   | 8.707-198.0 | Valve, 1/4" Ball, Steel                           | 1   | 62   | 9.803-551.0 | Screw, 5/16" x 3/4" Whiz                         | 4   |
| 30   | 8.706-166.0 | Elbow, 1/4" Male, Pipe, 316L SS                   | 1   | 63   | 9.800-008.0 | Label, Danger Cool Engine                        | 1   |
| 31   | 8.706-168.0 | Elbow, 3/8" Male, Pipe                            | 1   | 64   | 8.718-630.0 | Bolt, 5/16"                                      | 4   |
| 32   | 8.918-177.0 | Hose, 1/4" x 18.25", 1 Wire, 1/4" MPT x 3/8" MPTS | 1   | 65   | 9.802-813.0 | Washer, 5/16" Lock                               | 4   |
|      |             |   |     | 66   | 8.911-639.0 | Bracket, Hose Mount                              | 1   |
|      |             |   |     | 67   | 8.911-660.0 | Assy., Handle SJGDG-3013                         | 1   |
|      |             |   |     | 68   | 8.719-079.0 | Knob, Black Plastic                              | 1   |
|      |             |   |     | 69   | 8.719-112.0 | Spring, 0.31 OD x 1.0, Steel                     | 1   |

**EXPLODED VIEW PARTS LIST (CONTINUED)****SJGDG-3013**

| <b>ITEM</b> | <b>PART NO.</b> | <b>DESCRIPTION</b>          | <b>QTY</b> |
|-------------|-----------------|-----------------------------|------------|
| 70          | 8.718-592.0     | Screw, 1/4" x 1-1/4"        | 1          |
| 71          | 8.900-376.0     | Label, Use 90W Gearlube     | 1          |
| 72          | 9.802-714.0     | Bolt, 5/16" x 1-3/4" NC HH  | 4          |
| 73          | 8.718-980.0     | Washer, 5/16" Flat, SAE     | 6          |
| 74          | 9.802-807.0     | Washer, 3/8" SAE, Flat      | 2          |
| 75          | 9.802-776.0     | Nut, 5/16" ESNA             | 4          |
| 76          | 8.718-980.0     | Washer, 5/16" Flat, SAE     | 16         |
| 77          | 9.802-259.0     | Hose, 1/2" Push-On          | 18"        |
| 78          | 9.802-773.0     | Nut, 1/4" ESNA              | 2          |
| 79          | 9.802-802.0     | Washer, 1/4" Flat, SAE      | 2          |
| 80          | 8.718-980.0     | Washer, 5/16" Flat, SAE     | 6          |
| 81          | 9.802-778.0     | Nut, 5/16" Flange, Whiz Loc | 4          |
| 82          | 8.706-294.0     | Bushing, 1/2" x 3/8" Steel  | 1          |

▲ Not Shown

## BRAKE ASSEMBLY EXPLODED VIEW AND PARTS LIST

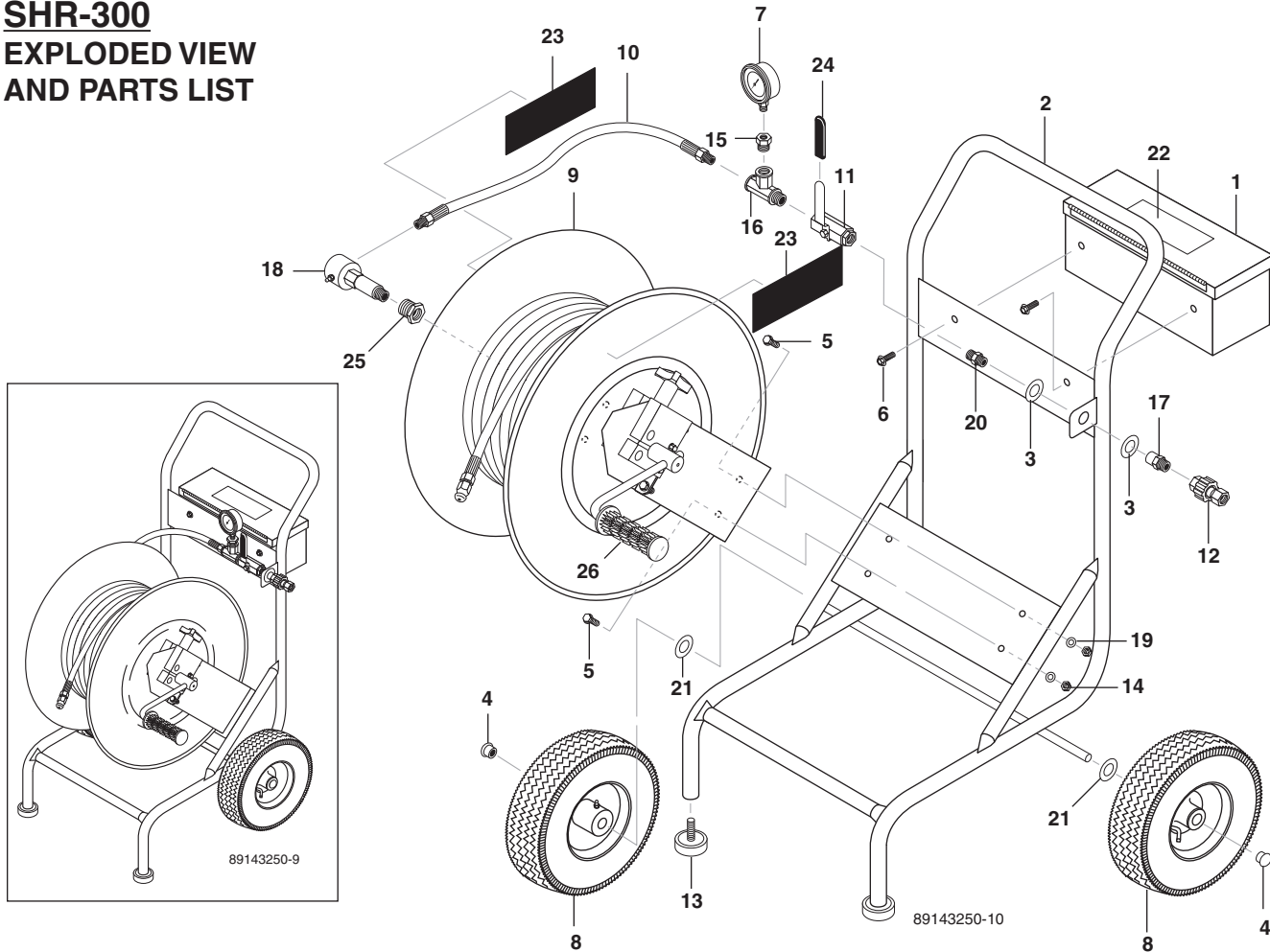


| ITEM | PART NO.    | DESCRIPTION                              | QTY |
|------|-------------|--|-----|
| 1    | 8.719-923.0 | Linkage, Brake                           | 2   |
| 2    | 8.719-121.0 | Linkage, 3/8" Joint, Brake               | 2   |
| 3    | 9.803-560.0 | Screw, 3/8" x 2.0" HH NC, Whiz Loc       | 1   |
| 4    | 9.802-270.0 | Wheel & Tire Assy, 4" Tubeless, 5/8" Hub | 4   |
| 5    | 8.719-924.0 | Collar, Brake Lock, 2                    |     |
| 6    | 8.719-111.0 | Spring, Brake                            | 1   |
| 7    | 8.719-058.0 | Pin, 1/8" x 1-1/4" Cotter                | 4   |
| 8    | 9.802-768.0 | Screw, 3/8" x 1-1/4"                     | 2   |
|      | 9.802-779.0 | ▲ Nut, 3/8" ESNA                         | 2   |

| ITEM | PART NO.    | DESCRIPTION                | QTY |
|------|-------------|----------------------------|-----|
| 9    | 8.719-018.0 | Washer, 3/8" Wave          | 3   |
| 10   | 9.802-807.0 | Washer, 3/8" SAE, Flat     | 3   |
| 11   | 8.718-890.0 | Nut, 3/8" x 24" Hex NF     | 2   |
| 12   | 8.900-980.0 | Label, Brake Lock          | 1   |
| 13   | 8.911-661.0 | Brake Lever                | 1   |
| 14   | 9.802-781.0 | Nut, 3/8" Flange, Whiz Loc | 1   |
| 15   | 9.802-779.0 | Nut, 3/8" ESNA             | 1   |
| 16   | 9.802-810.0 | Washer, 5/8" Flat          | 2   |

▲ Not Shown

**SHR-300  
EXPLODED VIEW  
AND PARTS LIST**

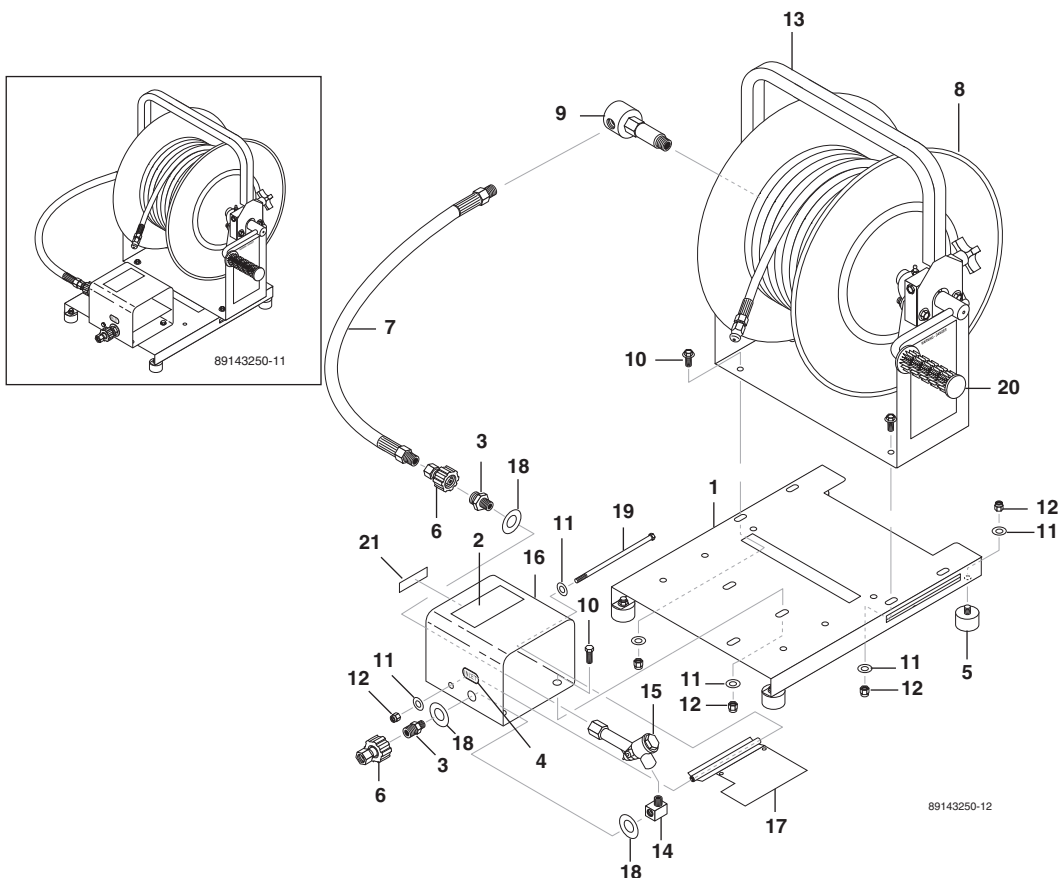


| ITEM | PART NO.    | DESCRIPTION  | QTY |
|------|-------------|--|-----|
| 1    | 8.911-665.0 | Assy, Tool Box   | 1   |
| 2    | 8.911-642.0 | Assy, Frame, SHR-300                                   | 1   |
| 3    | 8.719-007.0 | Washer, 3/4" x 1-1/2",<br>.102 THK Brass               | 2   |
| 4    | 9.802-783.0 | Cap, 5/8" Axle   | 2   |
| 5    | 9.803-551.0 | Screw, 5/16" x 3/4" Whiz                               | 4   |
| 6    | 9.802-754.0 | Screw, 1/4" x 1/2" HH<br>NC, Whiz Loc                  | 2   |
|      | 9.802-773.0 | ▲ Nut, 1/4" ESNA                                       | 2   |
|      | 9.802-802.0 | ▲ Washer, 1/4" Flat, SAE                               | 2   |
| 7    | 8.712-141.0 | Gauge, Pressure 0-5000 PSI                             | 2   |
| 8    | 9.802-270.0 | Wheel & Tire Assy,<br>4" Tubeless Silver Rim, 5/8" Hub | 2   |
| 9    | 8.711-865.0 | Hose Reel, 18"   | 1   |
| 10   | 8.711-604.0 | Hose, 3/8" x 23", 1 Wire 3/8"<br>SMNPT x 3/8" SWMNPT   | 1   |
| 11   | 8.707-204.0 | Valve, 3/8" Ball, Steel                                | 1   |

| ITEM | PART NO.    | DESCRIPTION                      | QTY |
|------|-------------|----------------------------------|-----|
| 12   | 8.707-182.0 | Coupler, 3/8" Female Screw       | 1   |
| 13   | 8.706-511.0 | Foot, Rubber (Crutch)            | 2   |
| 14   | 9.802-776.0 | Nut, 5/16" ESNA                  | 4   |
| 15   | 8.706-297.0 | Bushing, 3/8" x 1/4" Steel       | 1   |
| 16   | 8.706-234.0 | Tee, 3/8" Street                 | 1   |
| 17   | 8.707-184.0 | Plug, 3/8" FX M22, Twist Coupler | 1   |
| 18   | 8.711-875.0 | Swivel, 1/2" x 3/8"              | 1   |
| 19   | 8.718-980.0 | Washer, 5/16" Flat               | 4   |
| 20   | 8.705-974.0 | Nipple, 3/8" Hex Steel           | 1   |
| 21   | 9.802-810.0 | Washer, 5/8" Flat, SAE           | 2   |
| 22   | 8.940-342.0 | Label, SHR-300                   | 1   |
| 23   | 8.900-862.0 | Label, Logo                      | 2   |
| 24   | 8.706-690.0 | Cover, Handle, LG                | 1   |
| 25   | 8.706-294.0 | Bushing, 1/2" x 3/8", Steel      | 1   |
| 26   | 9.802-069.0 | Grip, 1" Handle, Waffle          | 1   |

▲ Not Shown

## OPTIONAL SHR-200CP HANDY-REEL WITH FOOT PEDAL EXPLODED VIEW & PARTS LIST

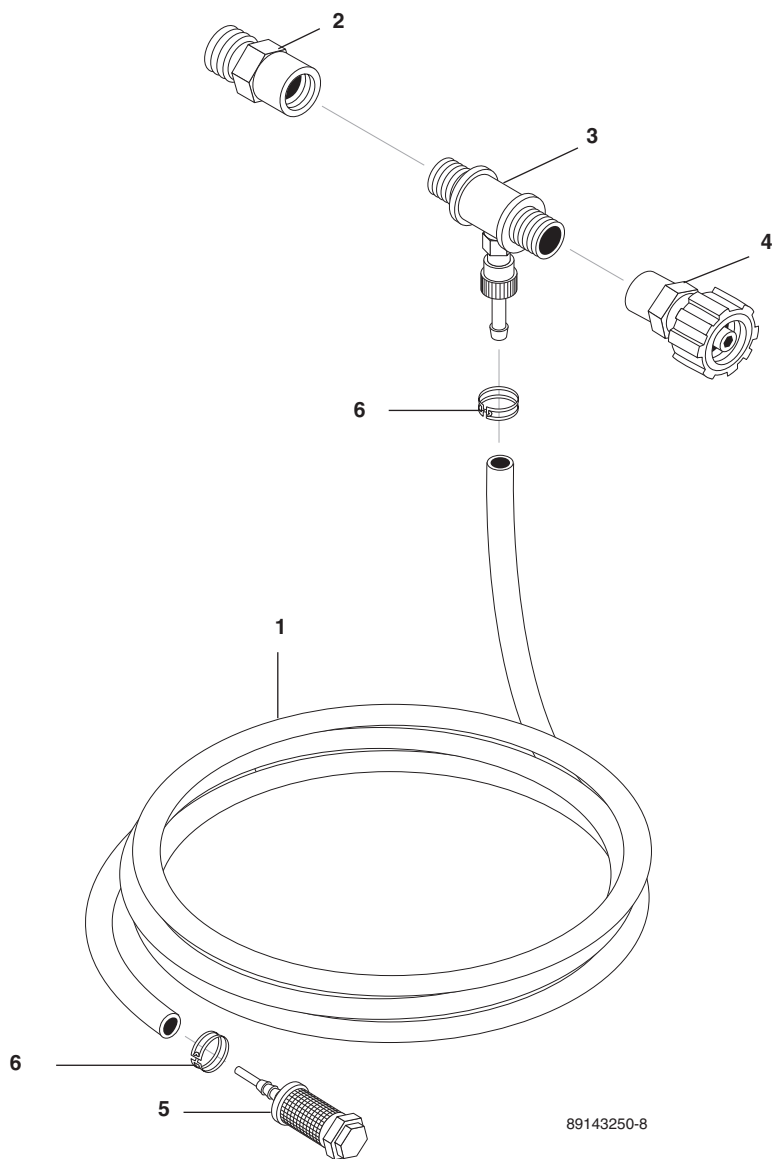


| ITEM | PART NO.    | DESCRIPTION  | QTY |
|------|-------------|--|-----|
| 1    | 8.911-637.0 | Bracket, Hose Reel Mount                                       | 1   |
| 2    | 8.940-374.0 | Label, SHR-200   | 1   |
| 3    | 8.707-186.0 | Nipple, 1/4" x M22, Twist                                      | 2   |
| 4    | 8.940-349.0 | Label, Inlet   | 1   |
| 5    | 8.706-519.0 | Foot, Rubber   | 4   |
| 6    | 8.707-182.0 | Coupler, 3/8" Female<br>Screw Type 7640                        | 2   |
| 7    | 8.918-190.0 | Hose, 3/8" x 17.5", 1 Wire, 3/8"<br>MNPT(SLD) x 3/8" MNPT(SWL) | 1   |
| 8    | 8.711-866.0 | Hose Reel, 13"   | 1   |
| 9    | 8.711-874.0 | Swivel, 3/8" x 3/8"  | 1   |
| 10   | 9.803-551.0 | Screw, 5/16" x 3/4" Whiz Loc                                   | 7   |
| 11   | 8.718-980.0 | Washer, 5/16"  | 13  |
| 12   | 9.802-776.0 | Nut, 5/16" ESNA  | 12  |
| 13   | 8.911-636.0 | Hose Reel Guard  | 1   |

| ITEM | PART NO.    | DESCRIPTION                   | QTY |
|------|-------------|-------------------------------|-----|
| 14   | 8.706-827.0 | Elbow, 1/4" Street            | 1   |
| 15   | 8.718-436.0 | Valve Assy, Complete          | 1   |
| 16   | 8.911-654.0 | Cover, Welded Assy Foot Valve | 1   |
| 17   | 8.911-655.0 | Plate, Foot Valve Assy        | 1   |
| 18   | 9.802-800.0 | Washer, 1/2" Flat             | 3   |
| 19   | 8.718-640.0 | Bolt, 5/16" x 6-1/2" HH, NC   | 1   |
| 20   | 9.802-069.0 | Grip, 1" Handle, Waffle       | 1   |
| 21   | 8.940-343.0 | Label, Discharge              | 1   |



**INJECTOR SCREW COUPLER (8.904-458.0)  
SJGDG-3013**



89143250-8

| ITEM | PART NO.    | DESCRIPTION                                   | QTY   |
|------|-------------|---|-------|
| 1    | 9.802-252.0 | Hose, 1/4" x 1/2" Braided Vinyl               | 6 ft. |
| 2    | 8.707-184.0 | Plug, 3/8" Screw Type Coupler                 | 1     |
| 3    | 8.709-418.0 | Injector, Detergent Adj., 3/8" M x M, 3-5 GPM | 1     |
| 4    | 8.707-182.0 | Coupler, 3/8" Female Screw Type               | 1     |
| 5    | 8.707-057.0 | Strainer, 1/4"                                | 1     |
| 6    | 9.802-210.0 | Clamp, Hose .46-.54 ST                        | 2     |

**SPECIFICATIONS**  
**NOZZLES**

| JETTING NOZZLES |      |             |             |           |         |                  |
|-----------------|------|-------------|-------------|-----------|---------|------------------|
| Part Number     | Size | Thread Size | Forward Jet | Rear Jets | Max PSI | Available In Set |
| 8.710-877.0     | 6.0  | 1/4"        | 1           | 4         | 4200    | 9.803-321.0      |
| 8.710-878.0     | 4.5  | 1/4"        | 1           | 3         | 4200    | 9.803-319.0      |
| 8.710-879.0     | 8.0  | 1/4"        | 1           | 3         | 4200    | 9.803-322.0      |
| 8.710-886.0     | 8.5  | 3/8"        | 1           | 4         | 4200    | 9.803-322.0      |
| 8.751-944.0     | 3.0  | 1/8"        | 0           | 3         | 5100    | 9.803-318.0      |
| 8.751-945.0     | 3.0  | 1/8"        | 1           | 3         | 5100    | 9.803-318.0      |
| 8.751-946.0     | 3.0  | 1/4"        | 0           | 3         | 5100    | 9.803-318.0      |
| 8.751-947.0     | 3.0  | 1/4"        | 1           | 3         | 5100    | 9.803-318.0      |
| 8.751-951.0     | 4.5  | 3/8"        | 1           | 3         | 4100    | 9.803-319.0      |
| 8.751-952.0     | 6.0  | 1/4"        | 0           | 3         | 5100    | 9.803-321.0      |
| 8.751-953.0     | 6.0  | 1/4"        | 1           | 3         | 5100    | 9.803-321.0      |
| 8.751-956.0     | 6.0  | 3/8"        | 0           | 3         | 5100    | 9.803-320.0      |
| 8.751-957.0     | 6.0  | 3/8"        | 1           | 3         | 5100    | 9.803-320.0      |
| 8.751-958.0     | 6.0  | 3/8"        | 1           | 9         | 3650    |                  |

| ROTATING NOZZLES |      |             |             |           |         |
|------------------|------|-------------|-------------|-----------|---------|
| Part Number      | Size | Thread Size | Forward Jet | Rear Jets | Max PSI |
| 8.710-899.0      | 5.5  | 1/8"        | 0           | 3         | 4000    |
| 8.710-898.0      | 5.5  | 1/4"        | 0           | 3         | 4000    |
| 8.710-900.0      | 8.0  | 1/4"        | 0           | 3         | 4000    |

| DUCT CLEANER ROTATING NOZZLES |      |             |             |           |         |
|-------------------------------|------|-------------|-------------|-----------|---------|
| Part Number                   | Size | Thread Size | Forward Jet | Side Jets | Max PSI |
| 8.710-887.0                   | 5.5  | 1/4"        | 0           | 2         | 4000    |

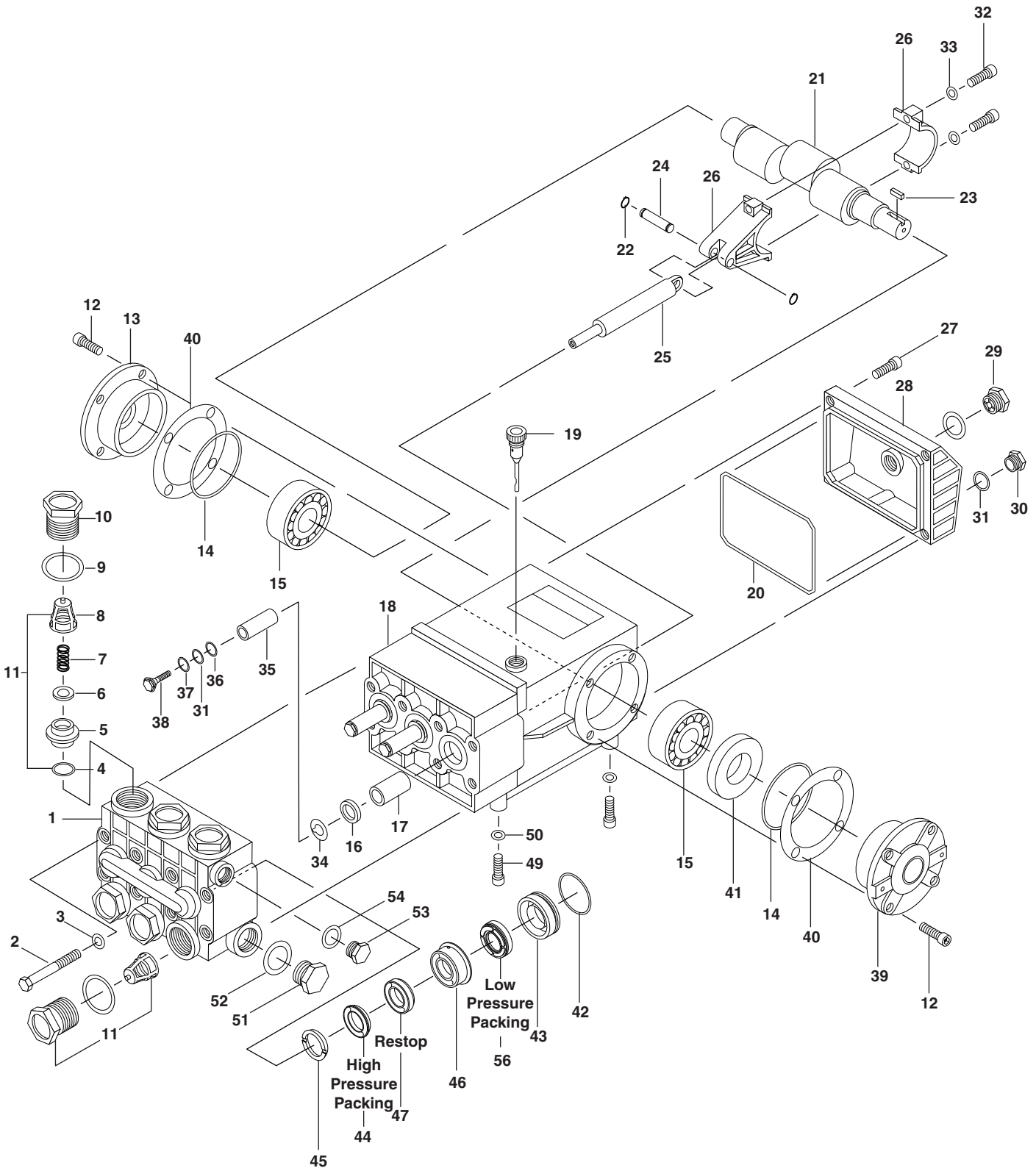
| NOZZLE SETS |      |                           |                   |
|-------------|------|---------------------------|-------------------|
| Part Number | Size | Description               | Number of Nozzles |
| 9.803-318.0 | 3.0  | Nozzle Kit, 1/8" and 1/4" | 4                 |
| 9.803-319.0 | 4.5  | Nozzle Kit, 1/8" and 1/4" | 2                 |
| 9.803-320.0 | 6.0  | Nozzle Kit, 3/8"          | 2                 |
| 9.803-321.0 | 6.0  | Nozzle Kit, 1/4"          | 3                 |
| 9.803-322.0 | 8.0  | Nozzle Kit, 1/4" and 3/8" | 2                 |

**SPECIFICATIONS**  
**JETTER HOSES, ADAPTERS AND BUSHINGS**

| <b>JETTER HOSES</b> |                 |                    |                |              |              |
|---------------------|-----------------|--------------------|----------------|--------------|--------------|
| <b>Part Number</b>  | <b>Diameter</b> | <b>Length (ft)</b> | <b>Max PSI</b> | <b>End 1</b> | <b>End 2</b> |
| 8.751-927.0         | 1/8"            | 25                 | 4800           | 1/8" MPT     | 1/8" MPT     |
| 8.751-927.0         | 1/8"            | 50                 | 4800           | 1/8" MPT     | 1/8" MPT     |
| 8.751-929.0         | 1/8"            | 75                 | 4800           | 1/8" MPT     | 1/8" MPT     |
| 8.705-601.0         | 1/8"            | 25                 | 4800           | 1/4" MPT     | 1/8" MPT     |
| 8.705-602.0         | 1/8"            | 50                 | 4800           | 1/4" MPT     | 1/8" MPT     |
| 8.705-603.0         | 1/8"            | 100                | 4800           | 1/4" MPT     | 1/8" MPT     |
| 8.705-607.0         | 1/4"            | 50                 | 2600           | 1/4" MPT     | 1/4" MPT     |
| 8.705-608.0         | 1/4"            | 100                | 2600           | 1/4" MPT     | 1/4" MPT     |
| 8.705-610.0         | 1/4"            | 50                 | 4400           | 1/4" MPT     | 1/4" MPT     |
| 8.795-611.0         | 1/4"            | 100                | 4400           | 1/4" MPT     | 1/4" MPT     |
| 8.751-930.0         | 1/4"            | 150                | 4400           | 1/4" MPT     | 1/4" MPT     |
| 8.751-931.0         | 1/4"            | 200                | 4400           | 1/4" MPT     | 1/4" MPT     |
| 8.751-932.0         | 3/8"            | 50                 | 4000           | 3/8" MPT     | 3/8" MPT     |
| 8.751-933.0         | 3/8"            | 100                | 4000           | 3/8" MPT     | 3/8" MPT     |
| 8.751-934.0         | 3/8"            | 150                | 4000           | 3/8" MPT     | 3/8" MPT     |
| 8.751-935.0         | 3/8"            | 200                | 4000           | 3/8" MPT     | 3/8" MPT     |
| 8.751-936.0         | 3/8"            | 250                | 4000           | 3/8" MPT     | 3/8" MPT     |
| 8.751-937.0         | 3/8"            | 300                | 4000           | 3/8" MPT     | 3/8" MPT     |
| 8.751-938.0         | 1/2"            | 100                | 4000           | 1/2" MPT     | 1/2" MPT     |
| 8.751-939.0         | 1/2"            | 150                | 4000           | 1/2" MPT     | 1/2" MPT     |
| 8.751-940.0         | 1/2"            | 200                | 4000           | 1/2" MPT     | 1/2" MPT     |
| 8.751-941.0         | 1/2"            | 250                | 4000           | 1/2" MPT     | 1/2" MPT     |
| 8.751-942.0         | 1/2"            | 300                | 4000           | 1/2" MPT     | 1/2" MPT     |
| 8.751-943.0         | 1/2"            | 400                | 4000           | 1/2" MPT     | 1/2" MPT     |

| <b>ADAPTERS &amp; BUSHINGS</b> |                       |
|--------------------------------|-----------------------|
| <b>Part Number</b>             | <b>Description</b>    |
| 9.803-054.0                    | 1/4" X 1/8" FPT X MPT |
| 8.705-185.0                    | 3/8" X 1/8" FPT X MPT |
| 9.804-007.0                    | 3/8" X 1/4" FPT X MPT |
| 9.803-564.0                    | 1/8" X 1/4" FPT X MPT |
| 8.705-129.0                    | 1/4" X 3/8" FPT X MPT |
| 8.705-364.0                    | 1/4" X 1/4" FPT X FPT |
| 8.705-366.0                    | 3/8" X 3/8" FPT X FPT |
| 8.705-369.0                    | 1/2" X 1/2" FPT X FPT |
| 8.705-371.0                    | 3/4" X 3/4" FPT X FPT |

**PUMP MODEL NO. TS-1511 #8.715-360.0**  
**SJGDG-3013**



## PUMP MODEL NO. TS-1511 #8.715-360.0 EXPLODED VIEW PARTS LIST

| ITEM | PART NO.  | DESCRIPTION                   | QTY | ITEM | PART NO.   | DESCRIPTION                 | QTY |
|------|---|-------------------------------|-----|------|--|-----------------------------|-----|
| 1    | 8.703-092.0                                     | Pump Head                     | 1   | 31   | ◆ O-Rings (Kit 1-0006)                                       |                             | 4   |
| 2    | 8.703-029.0                                     | Screws                        | 8   | 32   | 8.703-021.0  | Screws                      | 6   |
| 3    | 8.703-248.0                                     | Washers                       | 8   | 33   | 8.701-293.0  | Washers                     | 6   |
| 4    | ◆ O-Ring (Kit 1-0001)                           |                               | 6   | 34   | ◆ Washers (Kit 1-0006)                                       |                             | 3   |
| 6    | ◆ Valve (Kit 1-0001)                            |                               | 6   | 35   | 8.705-467.0  | Pistons                     | 3   |
| 9    | ◆ O-Rings (Kit 1-0005)                          |                               | 6   | 36   | ◆ Anti-Extrusion Rings (Kit 1-0006)                          |                             | 3   |
| 10   | ◆ Valve Caps (Kit 1-0005)                       |                               | 6   | 37   | ◆ Washers (Kit 1-0006)                                       |                             | 3   |
| 11   | ◆ Valve Assembly (Available only in Kit 1-0001) |                               | 6   | 38   | ◆ Piston Screws (Kit 1-0006)                                 |                             | 3   |
| 12   | 8.703-017.0                                     | Screws                        | 8   | 39   | 8.703-010.0  | Side Crankcase Cover (Open) | 1   |
| 13   | 8.703-011.0                                     | Side Crankcase Cover (Closed) | 1   | 40   | 8.703-225.0  | Shims                       | 2   |
| 14   | 8.705-869.0                                     | O-Ring                        | 2   | 41   | ◆ Oil Seal (Kit 1-0003)                                      |                             | 1   |
| 15   | 1-640047  | Tapered Roller Bearings       | 2   | 42   | ◆ O-Rings (Kit 1-0028)                                       |                             | 3   |
| 16   | ◆ Oil Seals (Available only in Kit 1-0002)      |                               | 3   | 43   | ◆ Packing Retainers (Kit 1-0028)                             |                             | 3   |
| 17   | 8.703-083.0                                     | Bushings                      | 3   | 44   | ◆ Packings, High Pressure Seal (Kits 1-0008, 1-0028, 1-0069) |                             | 3   |
| 18   | 8.705-465.0                                     | Crankcase                     | 1   | 45   | ◆ Head Rings (Kits 1-0007, 1-0028)                           |                             | 3   |
| 19   | 8.703-132.0                                     | Oil Dip Stick                 | 1   | 46   | ◆ Intermediate Rings (Kit 1-0028)                            |                             | 3   |
| 20   | 8.701-286.0                                     | Cover Gasket                  | 1   | 47   | ◆ Restop (Kit 1-0028, 1-0069)                                |                             | 3   |
| 21   | 8.703-071.0                                     | Crankshaft                    | 1   | 49   | 9.804-058.0  | Screws                      | 4   |
| 22   | 8.703-170.0                                     | Snap Rings                    | 6   | 50   | 9.804-057.0  | Washers                     | 4   |
| 23   | 8.739-360.0                                     | Key                           | 1   | 51   | 8.703-184.0  | Cap                         | 1   |
| 24   | 8.703-161.0                                     | Wrist Pins                    | 3   | 52   | 8.701-508.0  | Washer                      | 1   |
| 25   | 8.705-468.0                                     | Piston Guides                 | 3   | 53   | 8.703-183.0  | Cap                         | 1   |
| 26   | 8.703-046.0                                     | Connecting Rods               | 3   | 54   | 8.703-257.0  | Washer                      | 1   |
| 27   | 8.703-025.0                                     | Screws                        | 5   | 56   | ◆ Packings, Low Pressure Seal (Kits 1-0008, 1-0028, 1-0069)  |                             | 3   |
| 28   | 8.703-062.0                                     | Rear Crankcase Cover          | 1   |      |  |                             |     |
| 29   | 8.703-146.0                                     | Oil Level Indicator           | 1   |      |  |                             |     |
| 30   | 8.703-182.0                                     | Cap                           | 1   |      |  |                             |     |

For proper pump repair and ease of packing insertion/ extraction the following tools are recommended:

- 1-ZMVT00L Packing Insertion Tool
- ◆ Kit Only

### Crankcase Oil Capacity, 40.6 oz.

| Torque Specs* |         |      |         |
|---------------|---------|------|---------|
| Item          | Ft./lbs | Item | Ft./lbs |
| 2             | 22.1    | 32   | 14.7    |
| 10            | 73.7    | 38   | 14.7    |
| 12            | 14.7    | 49   | 29.4    |
| 27            | 7.3     | 51   | 29.4    |
| 29            | 13.2    | 53   | 29.4    |
| 30            | 14.7    |      |         |

| KIT NO.                      | 8.702-798.0<br>(1-0001) | 8.702-800.0<br>(1-0002) | 8.702-801.0<br>(1-0003) | 8.702-803.0<br>(1-0005) | 8.702-805.0<br>(1-0006) | 8.702-806.0<br>(1-0007) | 8.702-115.0<br>(1-0008) | 8.702-829.0<br>(1-0028)       | 8.702-857.0<br>(1-0069) |
|------------------------------|-------------------------|-------------------------|-------------------------|-------------------------|-------------------------|-------------------------|-------------------------|-------------------------------|-------------------------|
| <b>Assembly<br/>(Pos. #)</b> | 4, 5, 6, 7,<br>8, 11    | 16                      | 41                      | 9, 10                   | 31, 34, 36,<br>37, 38   | 45                      | 44, 45                  | 42, 43, 44, 45,<br>46, 47, 56 | 44, 47, 56              |
| <b># of<br/>Assemblies</b>   | 6                       | 3                       | 2                       | 6                       | 3                       | 6                       | 3                       | 1                             | 3                       |