



GROUND-BREAKING POWER EQUIPMENT

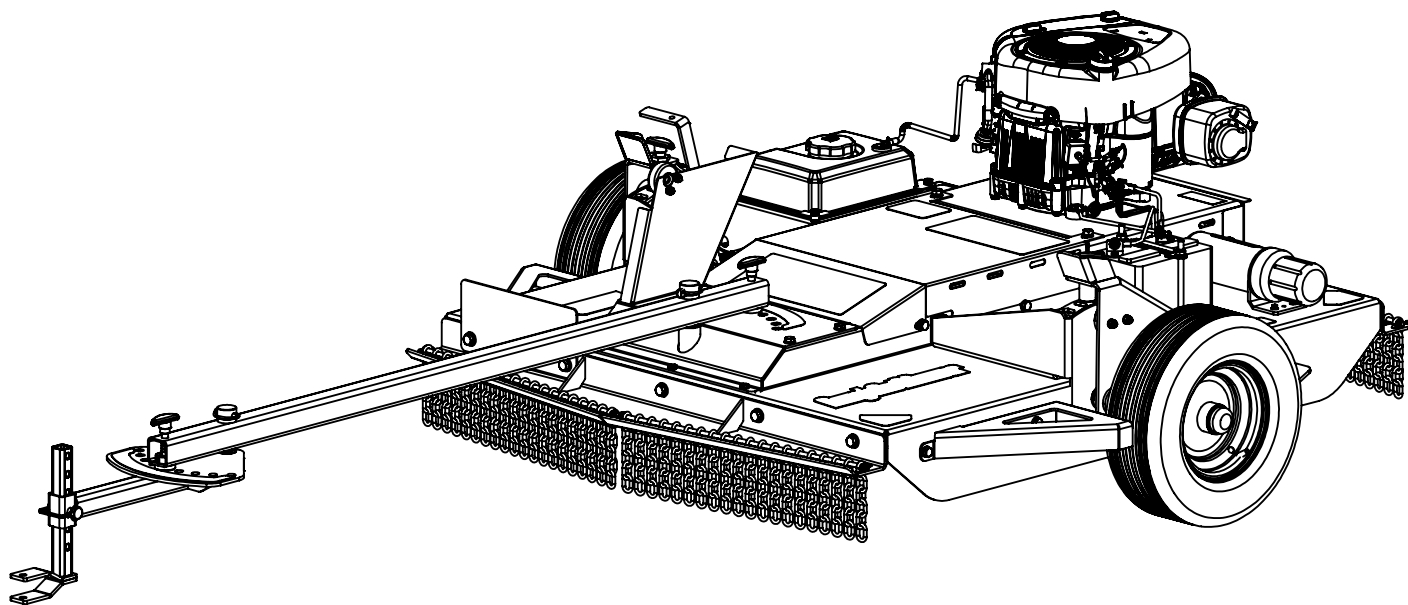
Illustrated Parts Breakdown
Illustration des pièces détachées

**Model Number,
Numéros de modèle :**
RC4432

ENGLISH

FRANÇAIS

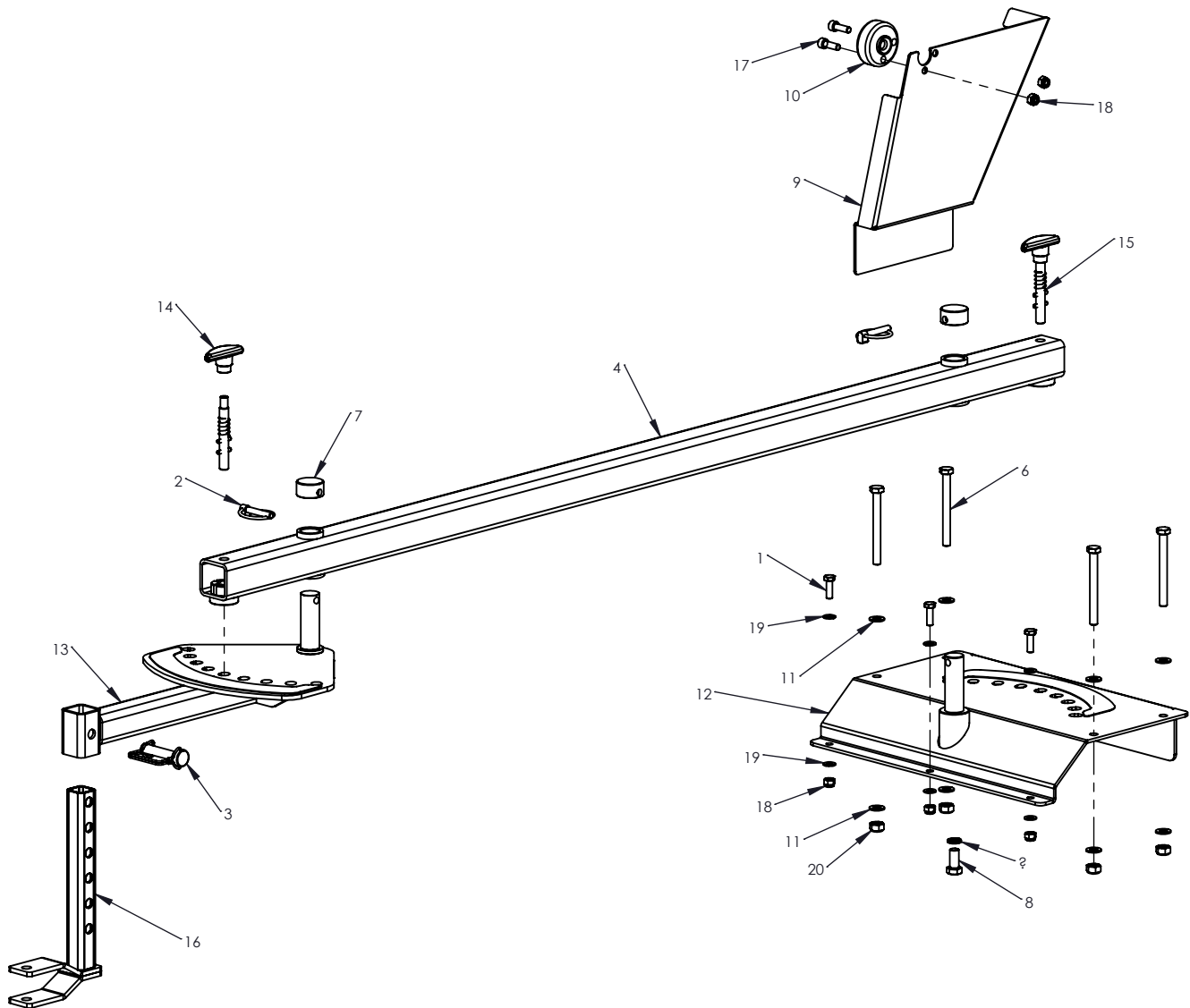
S/N



© 2021 Ardisam, Inc.
All Rights Reserved
Tous droits réservés
P/N: 33522
SVC: 35840
ECN: 13076
REV 1: 2020-12-09

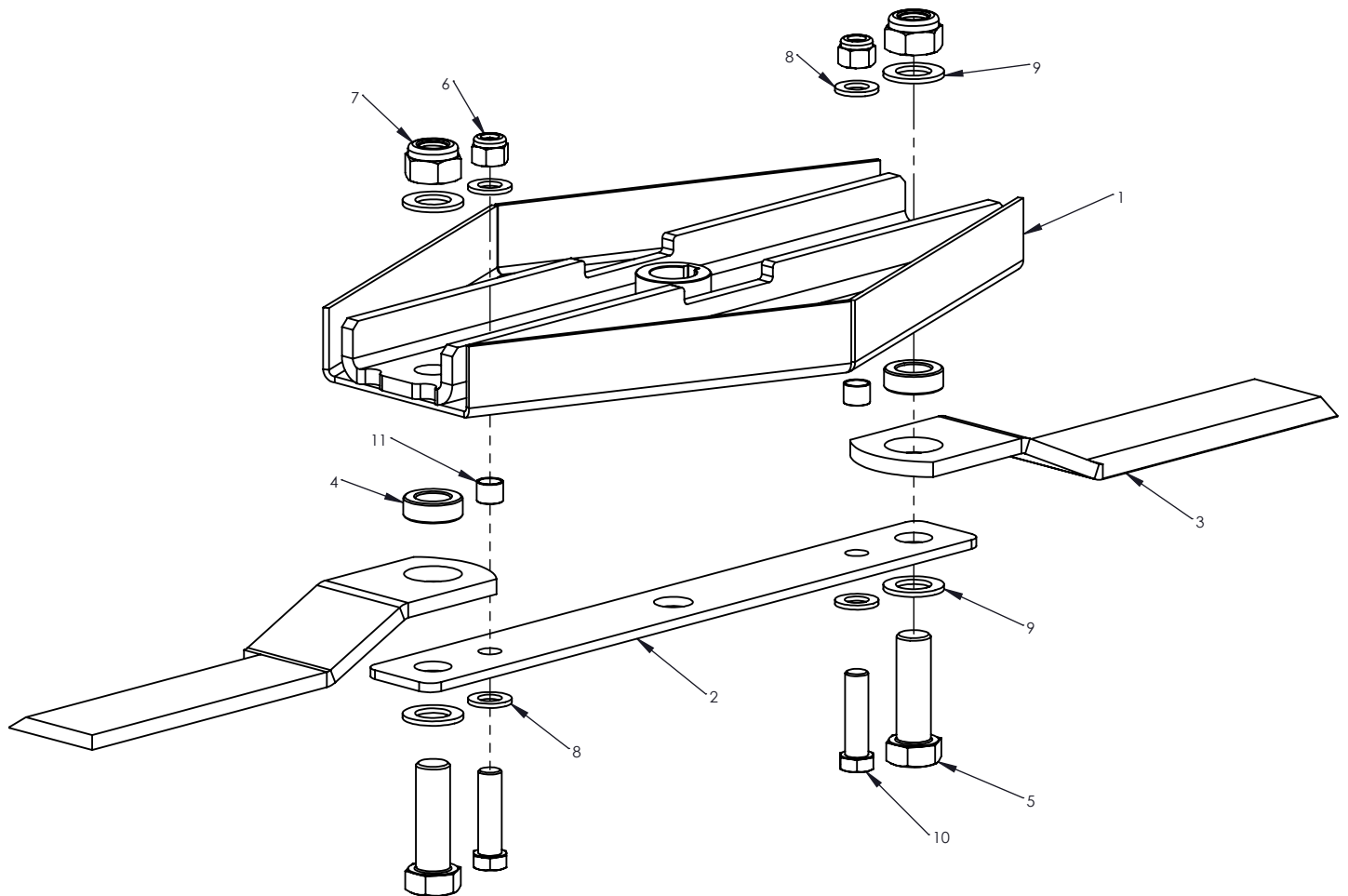


THIS INSTRUCTION BOOKLET CONTAINS IMPORTANT SAFETY INFORMATION. PLEASE READ AND KEEP FOR FUTURE REFERENCE.
CE LIVRET D'INSTRUCTIONS CONTIENT DES INFORMATIONS IMPORTANTES SUR LA SÉCURITÉ. VEUILLEZ LE LIRE ET LE CONSERVER POUR TOUTE CONSULTATION EXTÉRIEURE.

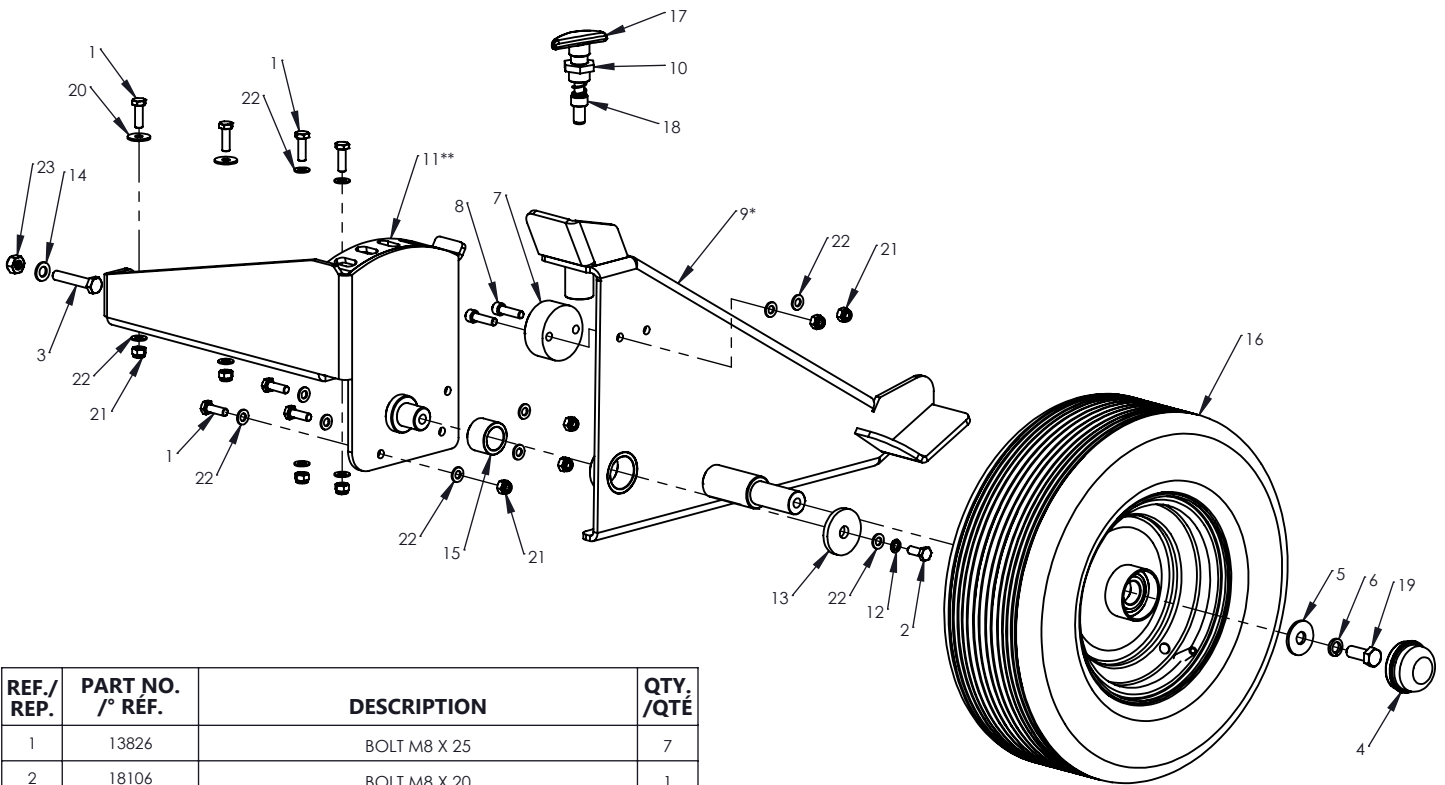


REF./REP.	PART NO. /° RÉF.	DESCRIPTION	QTY. /QTÉ
1	13826	BOLT M8 X 25	3
2	18847	PIN 45 MM	2
3	18850	PIN M12 X 64	1
4	21575	TONGUE	1
5	21615	WASHER M12	1
6	21642	BOLT M10 X 100	4
7	21647	SHAFT CAP	2
8	21648	BOLT M12 X 25	1
9	23360	ROPE BRACKET	1
10	23370	ROPE MOUNT	1

REF./REP.	PART NO. /° RÉF.	DESCRIPTION	QTY. /QTÉ
11	2431	WASHER M10	8
12	29238	TONGUE DECK MOUNT	1
13	29240	HITCH MOUNT	1
14	29311	GREEN HANDLE M10	1
15	29314	TONGUE LATCH PIN	1
16	29317	PIN HITCH	1
17	400022	BOLT M8 X 25	2
18	400023	NUT M8	5
19	400024	WASHER M8	6
20	W1265V0903	NUT M10	4



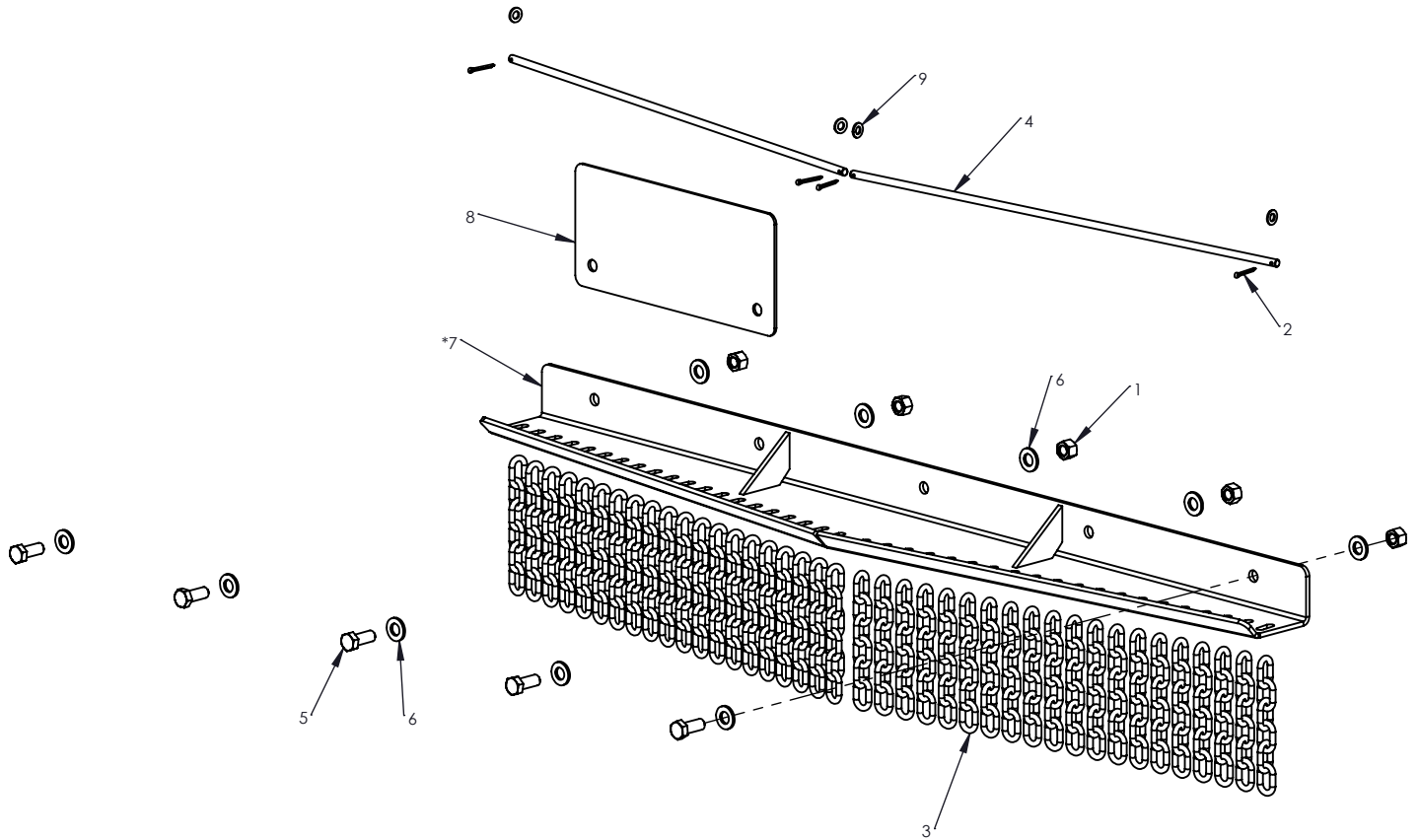
REF./ REP.	PART NO. /° RÉF.	DESCRIPTION	QTY. /QTÉ
1	21664	BLADE MOUNT	1
2	21665	BLADE BRACE	1
3	21666	BLADE	2
4	21667	BLADE BUSHING	2
5	21669	BOLT M22 X 70	2
6	21670	NUT M14	2
7	21671	NUT M22	2
8	21673	WASHER M14	4
9	21674	WASHER M22	4
10	33957	BOLT M14 X 55	2
11	38243	SPACER	2



REF./REP.	PART NO. /° RÉF.	DESCRIPTION	QTY. /QTÉ
1	13826	BOLT M8 X 25	7
2	18106	BOLT M8 X 20	1
3	21600	BOLT M10 X 55	1
4	21611	WHEEL HUB CAP	1
5	21614	WASHER M12	1
6	21615	WASHER M12	1
7	21616	WHEEL SPACER	1
8	21618	BOLT M8 X 30	2
9*	21623	WHEEL MOUNT	1
10	21627	PIN RETAINER	1
11**	21635	AXLE MOUNT	1
12	21640	WASHER M8	1
13	21641	WASHER M10	1
14	2431	WASHER M10	2
15	25457	BUSHING	1
16	29262	WHEEL	1
17	29311	GREEN HANDLE M10	1
18	29313	WHEEL HEIGHT PIN	1
19	30742	BOLT M12 X 30	1
20	3245	WASHER M8	2
21	400023	NUT M8	9
22	400024	WASHER M8	15
23	W1265V0903	NUT M10	1

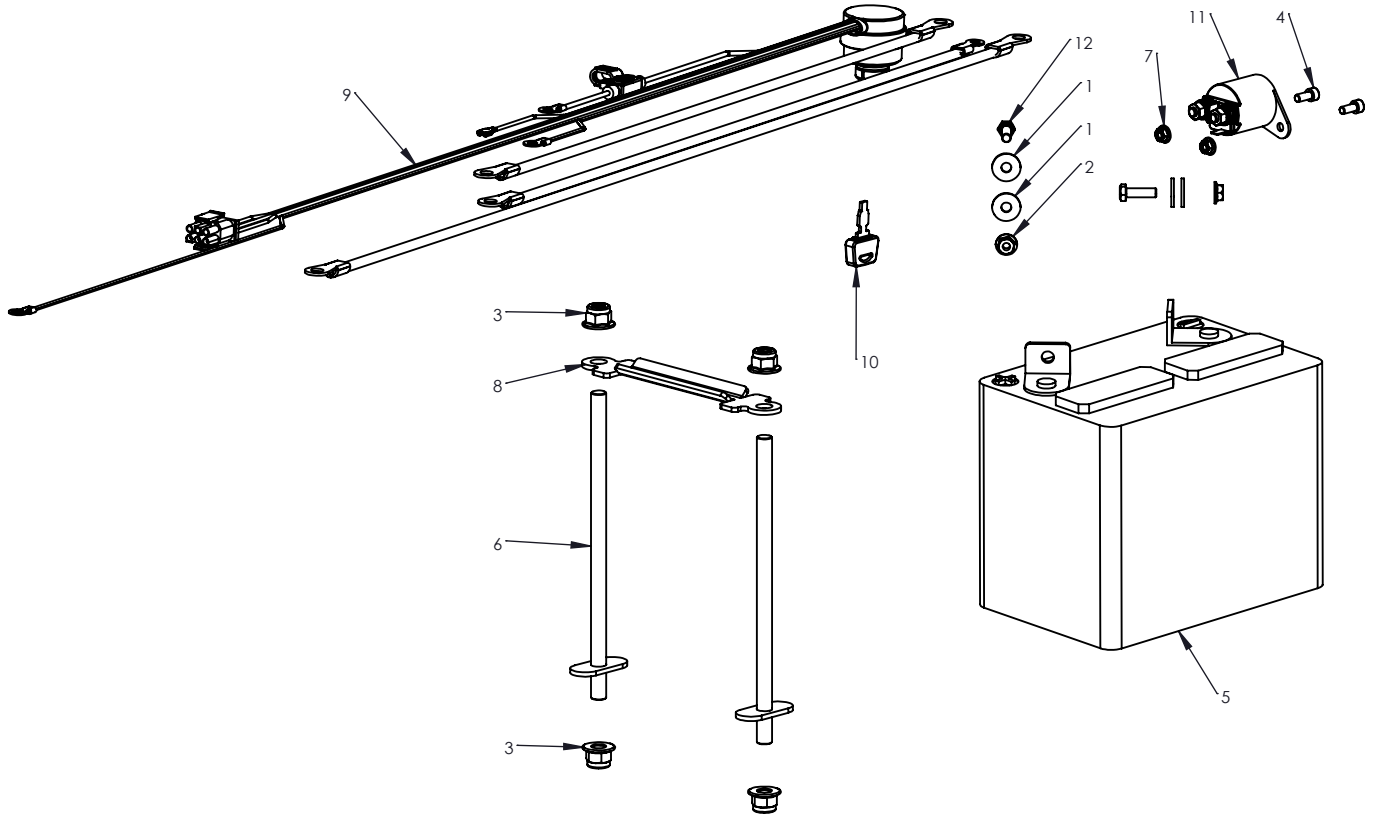
*21602 WHEEL MOUNT FOR GAS TANK SIDE

**23493 AXLE MOUNT FOR GAS TANK SIDE

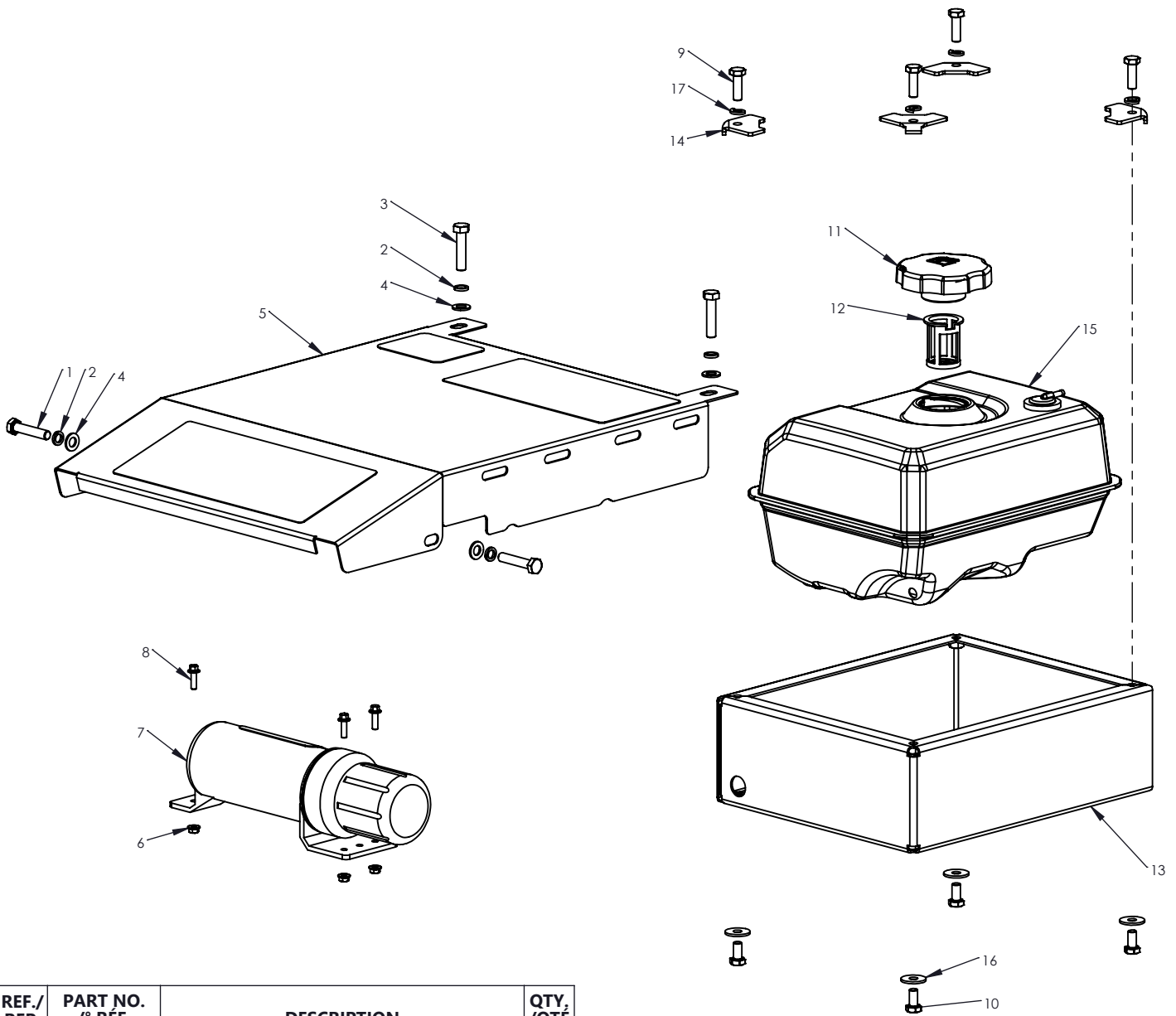


REF./ REP.	PART NO. /° RÉF.	DESCRIPTION	QTY. /QTÉ
1	18274	NUT M12	5
2	21304	COTTER PIN	4
3	21354	CHAIN	40
4	21374	ROD	2
5	21613	BOLT M12	5
6	21632	WASHER M12	10
*7	29254	FRONT BRUSH GUARD	1
8	29256	DEFLECTOR ENGAGEMENT LEVER BLACK	1
9	400024	WASHER M8X1.6X1.6 MM 140HV ZN	4

*29148 REAR BRUSH GUARD



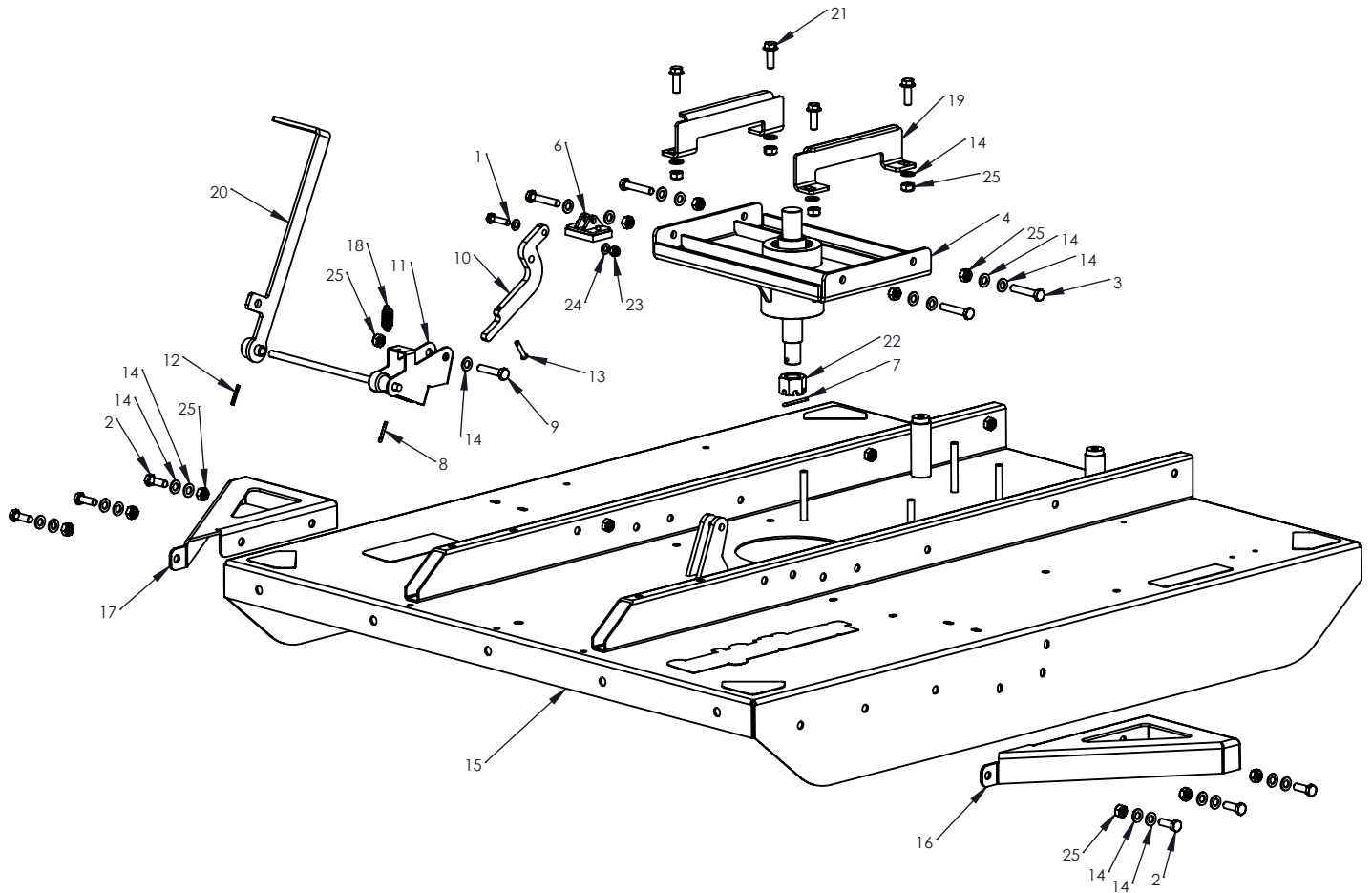
REF./ REP.	PART NO. /° RÉF.	DESCRIPTION	QTY. /QTÉ
1	12432	WASHER M6	4
2	14109	NUT M6	2
3	16903	NUT M10	4
4	17108	BOLT M5 X 12	2
5	21574	BATTERY	1
6	29420	BATTERY MOUNT POST	2
7	3248	NUT M5	2
8	34294	BATTERY MOUNT PLATE	1
9	35872	WIRING HARNESS	1
10	35914	KEY	1
11	4660	SOLENOID	1
12	92776	BOLT M6	2



REF./REP.	PART NO./° RÉF.	DESCRIPTION	QTY./QTÉ
1	20145	BOLT M10 X 50	2
2	21656	WASHER M10	4
3	24176	BOLT M10 X 45	2
4	2431	WASHER M10	4
5	29208	PULLEY COVER	1

REF./REP.	PART NO./° RÉF.	DESCRIPTION	QTY./QTÉ
6	13599	NUT M10	3
7	21655	MANUAL CANISTER	1
8	25058	BOLT M5 X 12	3

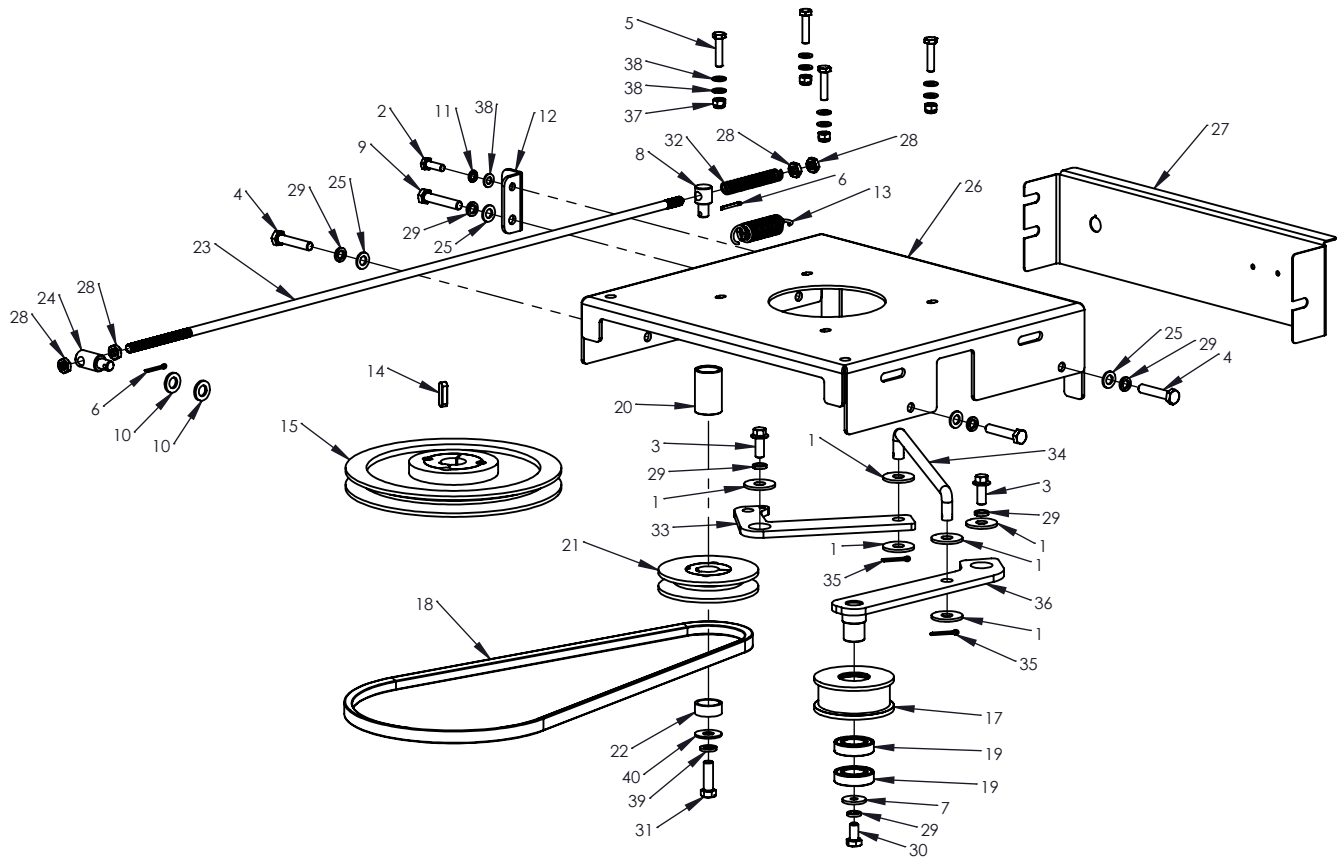
REF./REP.	PART NO./° RÉF.	DESCRIPTION	QTY./QTÉ
9	13826	BOLT M8 X 25	4
10	17984	BOLT M8 X 16	4
11	22736	GAS CAP	1
12	22737	GAS TANK STRAINER	1
13	23424	GAS TANK MOUNT	1
14	23426	CLAMP	4
15	29715	GAS TANK	1
16	3245	WASHER M8	4
17	W1200114	WASHER M8	4



REF./REP.	PART NO./° RÉF.	DESCRIPTION	QTY./QTÉ
1	20816	BOLT M8 X 35	1
2	21247	BOLT M10 X 30	6
3	21600	BOLT M10 X 55	4
4	21690	SPINDLE ASSEMBLY	1
5	21692	KEY 45 X 8 X 10 MM	1
6	21704	BRAKE PAD	1
7	21715	COTTER PIN	1
8	22097	COTTER PIN 4	1
9	22937	BOLT M10 X 50	1
10	23410	BRAKE ARM	1
11	23411	ENGAGEMENT ASSEMBLY	1
12	23489	ROLL PIN	1
13	24115	BRAKE PIN	1

* DECK IS NOT SERVICABLE

REF./REP.	PART NO./° RÉF.	DESCRIPTION	QTY./QTÉ
14	2431	WASHER M10	25
15	*	DECK	1
16	29221	WHEEL GUARD	1
17	29222	WHEEL GUARD	1
18	34286	SPRING	1
19	34554	BELT GUIDE	2
20	38184	ENGAGEMENT HANDLE	1
21	38199	BOLT M10 X 30	4
22	38244	NUT M24	1
23	400023	NUT M8	1
24	400024	WASHER M8	2
25	W1265V0903	NUT M10	15



REF./REP.	PART NO./° RÉF.	DESCRIPTION	QTY./QTÉ
1	10811	WASHER M12	6
2	13826	BOLT M8 X 12	1
3	19124	BOLT M10 X 25	2
4	20145	BOLT M10 X 50	3
5	20816	BOLT M8 X 35	4
6	21304	COTTER PIN	2
7	21595	BUSHING	1
8	21598	ENGAGEMENT ROD MOUNT	1
9	21600	BOLT M10 X 55	1
10	21632	WASHER M12	2
11	21640	WASHER M8	1
12	21659	SPRING MOUNT	1
13	21660	SPRING	1
14	21691	KEY 30 X 7 X 8 MM	1
15	21693	PULLEY	1
16	21694	KEY 31.35 X 5 X 6.35 MM	1
17	21700	PULLEY	1
18	21701	BELT	1
19	21702	BALL BEARING	2
20	22044	SPACER	1

REF./REP.	PART NO./° RÉF.	DESCRIPTION	QTY./QTÉ
21	22077	PULLEY	1
22	22547	SPACER	1
23	23427	ENGAGEMENT ROD	1
24	24098	ENGAGEMENT ROD MOUNT	1
25	2431	WASHER M10	5
26	29263	ENGINE MOUNT	1
27	29384	SWITCH PANEL	1
28	29387	NUT M10	4
29	30697	WASHER M10	7
30	3238	BOLT M10 X 20	1
31	34299	BOLT 7/16-20 X 1-3/8	1
32	34302	SPRING	1
33	34533	PIVOT ARM	1
34	34574	CONNECTING LINK	1
35	34615	COTTER PIN	2
36	35724	PULLEY ARM	1
37	400023	NUT M8	4
38	400024	WASHER M8	9
39	8841	WASHER 7/16	1
40	WF716	WASHER 7/16	1