



HEARTH PRODUCTS

P/N 506025-03 Rev. C 04/2011

This manual is one of a set of two supporting this product. Refer to P/N 506023-10 for Installation Instructions. Ce manuel est disponible en français, simplement en faire la demande. Numéro de la pièce 506223-14.

CARE AND OPERATION INSTRUCTIONS

Montebello See-Through Power Vent DV Gas Fireplaces



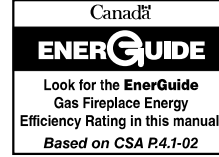
MODELS

LSM40ST-N-PV



Intertek

Intertek Report No. 100326550PRT-001



Look for the EnerGuide Gas Fireplace Energy Efficiency Rating in this manual. Based on CSA P.4.1-02



WHAT'S INSIDE

Table of Contents 2
Safety and Your Fireplace 2
FREE Safety Guard Offer (Protects Against Burns) 2
Important Safety Information 4
Attaching the Safety-in-Operation Warnings 5
[EN FRANÇAIS] L'information de sûreté importante 3-4
Apposition des mises en garde relatives à la sécurité d'utilisation 5
[EN ESPAÑOL] Información importante de seguridad 3-4
Colocación de advertencias de seguridad en operación 5



INSTALLER: Leave this manual with the appliance.
CONSUMER: Retain this manual for future reference.
INSTALLATEUR : Laissez cette notice avec l'appareil.
CONSOMMATEUR : Conservez cette notice pour consultation ultérieure.



WARNING / AVERTISSEMENT / AVISO

- HOT GLASS WILL CAUSE BURNS.
DO NOT TOUCH GLASS UNTIL COOLED.
NEVER ALLOW CHILDREN TO TOUCH GLASS.



- UNE SURFACE VITRÉE CHAUDE PEUT CAUSER DES BRÛLURES.
LAISSER REFROIDIR LA SURFACE VITRÉE AVANT D'Y TOUCHER.
NE PERMETTEZ JAMAIS À UN ENFANT DE TOUCHER LA SURFACE VITRÉE.

- EL VIDRIO CALIENTE CAUSARÁ QUEMADURAS.
USTED DEBE NUNCA TOCAR EL VIDRIO CALIENTE.
LOS NIÑOS DEBEN NUNCA TOCAR EL VIDRIO.

WARNING: If the information in these instructions is not followed exactly, a fire or explosion may result, causing property damage, personal injury, or death.

- Do not store or use gasoline or other flammable vapors and liquids in the vicinity of this or any other appliance.
- WHAT TO DO IF YOU SMELL GAS:
• Do not try to light any appliance.
• Do not touch any electrical switch; do not use any phone in your building.
• Immediately call your gas supplier from a neighbor's phone. Follow the gas supplier's instructions.
• If you cannot reach your gas supplier, call the fire department.
- Installation and service must be performed by a qualified installer, service agency or the gas supplier.

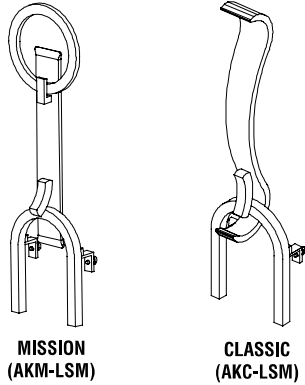
AVERTISSEMENT : Assurez-vous de bien suivre les instructions données dans cette notice pour réduire au minimum le risque d'incendie ou d'explosion ou pour éviter tout dommage matériel, toute blessure ou la mort.

- Ne pas entreposer ni utiliser d'essence ni d'autres vapeurs ou liquides inflammables dans le voisinage de cet appareil ou de tout autre appareil.
- QUE FAIRE SI VOUS SENTEZ UNE ODEUR DE GAZ :
• Ne pas tenter d'allumer d'appareil.
• Ne touchez à aucun interrupteur. Ne pas vous servir des téléphones se trouvant dans le bâtiment où vous trouvez.
• Appelez immédiatement votre fournisseur de gaz depuis un voisin. Suivez les instructions du fournisseur.
• Si vous ne pouvez rejoindre le fournisseur de gaz, appelez le service des incendies.
- L'installation et l'entretien doivent être assurés par un installateur ou un service d'entretien qualifié ou par le fournisseur de gaz.

ACCESSORY COMPONENTS

Andiron Kits

The andiron kits include two andirons for one side. If andirons are desired for both sides, order two kits. The andirons attach to the grate assembly without the use of hardware.



Andiron Kits		
Cat. No.	Model	Description
H2227	AKM-LSM	Andirons, Mission
H2228	AKC-LSM	Andirons, Classic

(Andiron Kit Instructions P/N 750183M)

Ceramic and Porcelain Panel Kits

The panel kits include ceramic and porcelain panels for the side walls. The ceramic panels have brick-like features in relief.

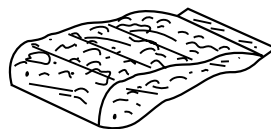


Cat. No.	Model	Description
H7946	BLK-ARCH-LSM40ST	Ceramic, Architectural Stone
H8291	BLK-B-LSM40ST	Ceramic, Black Rustic
H7943	BLK-H-LSM40ST	Ceramic, Buff Herringbone
H7942	BLK-R-LSM40ST	Ceramic, Buff Rustic
H7947	BLK-VT-LSM40ST	Ceramic, Venetian Tile
H7948	BLK-BP-LSM40ST	Porcelain, Black

(Firebox Liner Panel Kit Instructions P/N 506019-21)

Bag of Glowing Embers Bag of Volcanic Stone

Replacement ember material and volcanic stone are available for use with these appliances. Order them to replace materials as part of the periodic maintenance of the appliance.



Firebox Accessories		
Cat. No.	Model	Description
H8312	PGE	Bag of Glowing Embers
80L42	FDVS	Bag of Volcanic Stone

(Volcanic Stone Kit Instructions P/N 750010M)

Touch-Up Paint Kit

Repair of minor scratches and discoloration of the appliances black painted surfaces may be accomplished with the touch-up paint kit.



Touch-Up Paint (Black) Kit		
Cat. No.	Model	Description
90L73	FTPK-B	Black Paint Kit

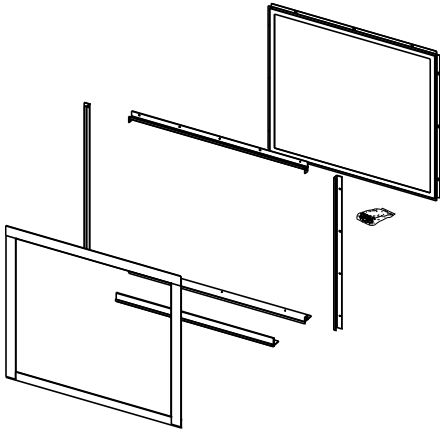
(Touch-Up Paint Kit Instructions P/N 750050M)

ACCESSORY COMPONENTS

(continued)

Outdoor Kit

When installing this appliance in an indoor/outdoor configuration, this outdoor kit is required to be installed on the outdoor side.

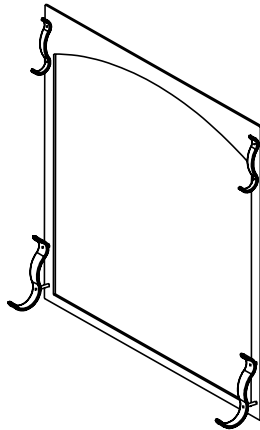


Outdoor Kit		
Cat. No.	Model	Description
H7940	LSM40STODK	Outdoor Kit (light-tint glass)
H8061	LSM40ST-ODKT	Outdoor Kit (dark-tint glass)

(Outdoor Kit Instructions P/N 506019-20)

Arch Screen Kits

These decorative freestanding firescreen panels are designed to enhance the beauty of the fireplace and create a barrier to prevent direct contact with the hot glass.

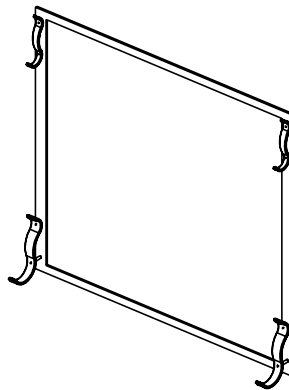


Arch Screen Kits		
Cat. No.	Model	Description
H5053	ASK-LSM40-2	Arch Screen Kit

(Decorative Screen Kit Instructions P/N 750184M)

Classic Screen Kits

These decorative freestanding firescreen panels are designed to enhance the beauty of the fireplace and create a barrier to prevent direct contact with the hot glass.

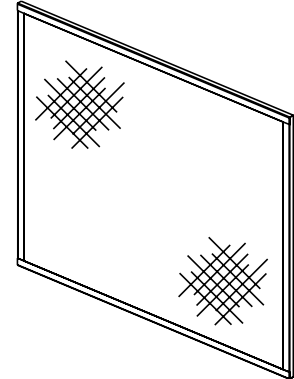


Classic Screen Kits		
Cat. No.	Model	Description
H5052	SK-LSM40-2	Classic Screen Kit

(Decorative Screen Kit Instructions P/N 750184M)

Barrier Screen Kits

These barrier screen kits create a barrier to prevent direct contact with the hot glass. The screen panel affixes directly to the front glass enclosure panel.

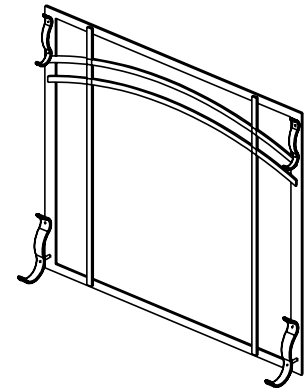


Barrier Screen Kits		
Cat. No.	Model	Description
H4805	BSK40	Barrier Screen

(Barrier Screen Kit Instructions P/N 750101M)

Dual Arch Screen Kits

These decorative freestanding firescreen panels are designed to enhance the beauty of the fireplace and create a barrier to prevent direct contact with the hot glass.



Dual Arch Screen Kits		
Cat. No.	Model	Description
H5051	DASK-LSM40-2	Dual Arch Screen

(Decorative Screen Kit Instructions P/N 750184M)

REPLACEMENT PARTS LIST

Contact an Authorized Lennox Hearth Products dealer to obtain any of these parts. Never use substitute materials. Use of non-approved parts can result in poor performance and safety hazards.

Item No.*	Description	LSM40ST	
		Cat. No.	Qty.
1	a. Ceramic Panel Kit, Architectural Stone	H7946	1
	b. Ceramic Panel Kit, Black Rustic	H8291	1
	c. Ceramic Panel Kit, Buff Herringbone	H7943	1
	d. Ceramic Panel Kit, Buff Rustic	H7942	1
	e. Ceramic Panel Kit, Venetian Tile	H7947	1
	f. Porcelain Panel Kit, Black	H7948	1
2	Modesty Panel (603936-01)	H8324	3
3	Log Set	H7994	1
4	Enclosure, Glass Door	H2281	2
5	Spring Latch Assembly	H2274	2
6	Burner Assembly	H7996	1
9	Access Plate	H8013	1
10	Gasket, Access Plate	H8012	1
11	Gas Line Tubing	H8001	2
12	Connector, Male	H4094	2
13	Orifice, Natural Gas	H8002	2
13	Orifice, Propane Gas	H8003	2
14	Bag of Glowing Embers (rockwool)	H8312	1
15	Grate Assembly	H7998	1
16	On/Off Rocker Switch	80L41	1
17	Gas Line, Flexible Connection	93L32	1
18	Modesty Panel, Right Side	H3371	1
19	Bag of Volcanic Stone (lava rock)	80L42	1
21	Gas Line (from valve to T-fitting)	H7997	1
--	Mesh Pull Screen	H1427	4
--	Screen Rod	H2278	2

Gas Controls - SIT Electronic					
Item No.	Description	Natural Gas		Propane Gas**	
		Part No.	Qty.	Part No.	Qty.
22	Gas Valve	H7270	1	H7271	1
23	Pilot Assembly	H7268	1	H7269	1
24	DFC Ignition Board	H7272	1		
25	DFC Wire Harness	H8007	1		
26	Receiver Kit	H7277	1		
27	Receiver Cable Harness	H8008	1		
28	AC/DC Power Adaptor	H8006	1		
29	Transmitter Kit	H7275	1		
30	Ground Wire	H7278	1		
31	Spark Electrode (without cable)	H7856	1		
32	Sense Electrode (without cable)	H7858	1		
33	Cable, Pilot Spark Electrode	H7857	1		
34	Cable, Pilot Sense Electrode	H7859	1		
35	Power Vent Module	H7367	1		

WARNING

Failure to position the parts in accordance with these diagrams or failure to use only parts specifically approved with this appliance may result in property damage or personal injury.

AVERTISSEMENT

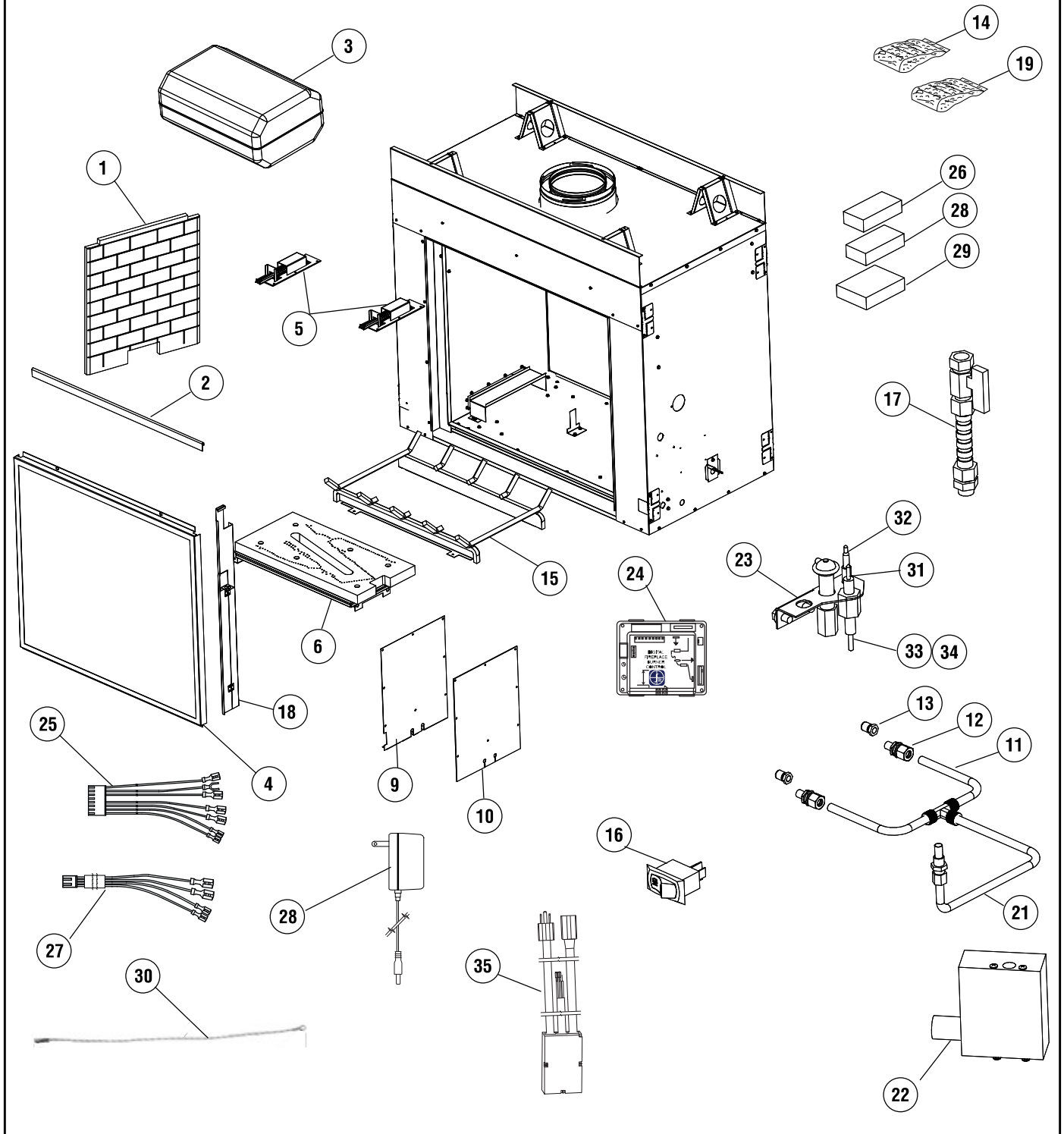
Risque de dommages ou de blessures si les pièces ne sont pas installées conformément à ces schémas et ou si des pièces autres que celles spécifiquement approuvées avec cet appareil sont utilisées.

*Item numbers correspond to "Replacement Parts Illustration" on *next page*.

**Propane unit available as field conversion only.

REPLACEMENT PARTS ILLUSTRATION

Circled numbers correspond to "Replacement Parts List" on *previous page*.



POWER VENT REPLACEMENT PARTS

Item	Part Number	Description	Qty.
1	H7383	Vacuum Hose	1
2	H7369	Wire Harness	1
3	H7366	Pressure Switch	1
4	H7367	Control Module	1
5	H7368	Strain Relief - 3/8"	2
6	H7370	Ring Terminal - #10	2
7	H7384	Insulated 1/4" Male Terminal	4
8	H7371	Hose Clamp - 11/32"	2
15	H7372	Base Assembly (Power Vent)	1
16	H7378	Kicker Assembly	1

Item	Part Number	Description	Qty.
17	H7382	Blower Gasket	1
18	H7365	Blower Assembly	1
19	H7375	Wrapper - Top	1
20	H7373	Wrapper	1
21	H7374	Wrapper - Bottom	1
22	H7377	J-Box	1
23	H7379	Diverter - Front	1
24	H7380	Diverter - Back	1
25	H7376	Wrapper Cover	1
26	H7381	Wire Mesh	1

