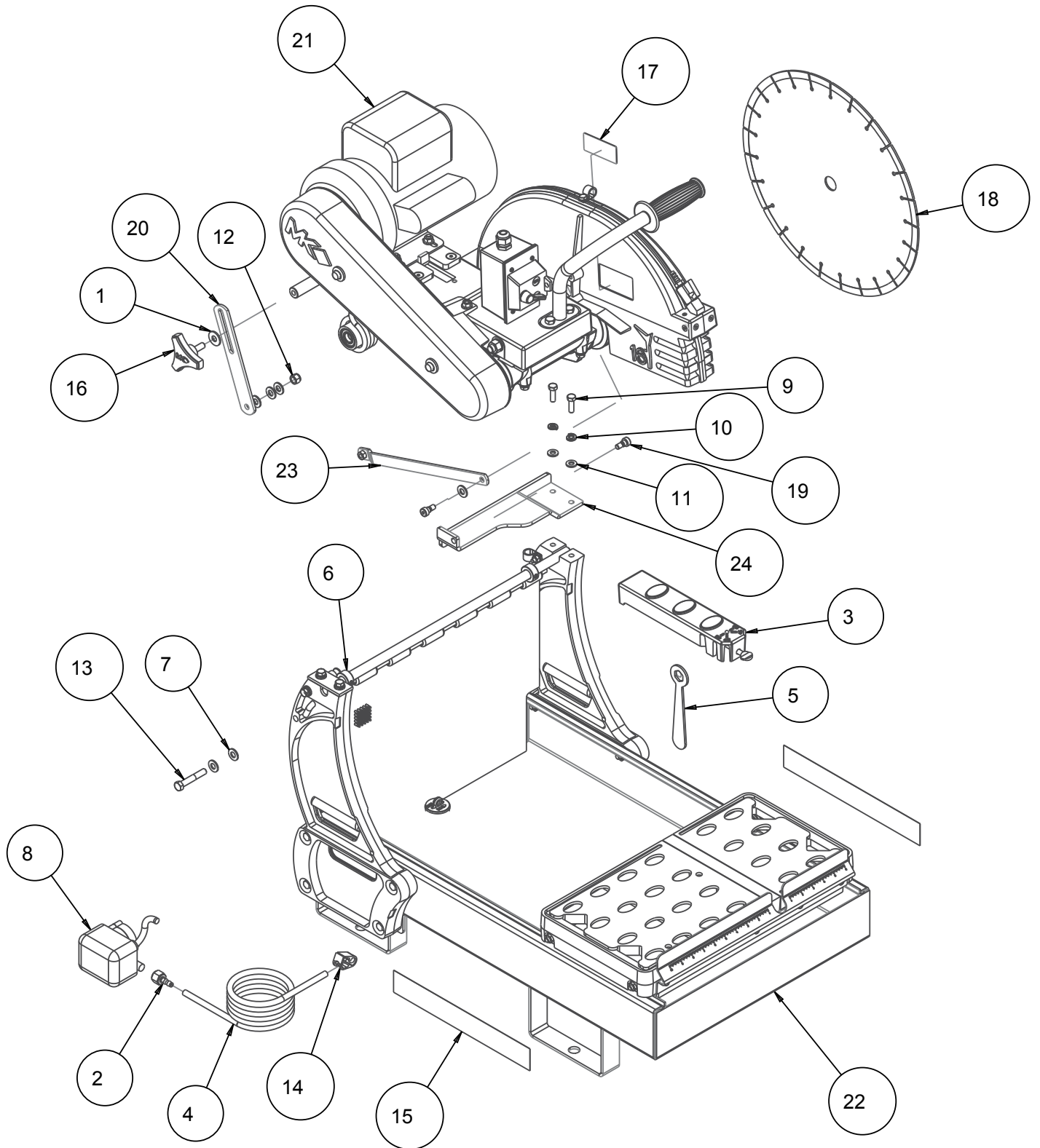


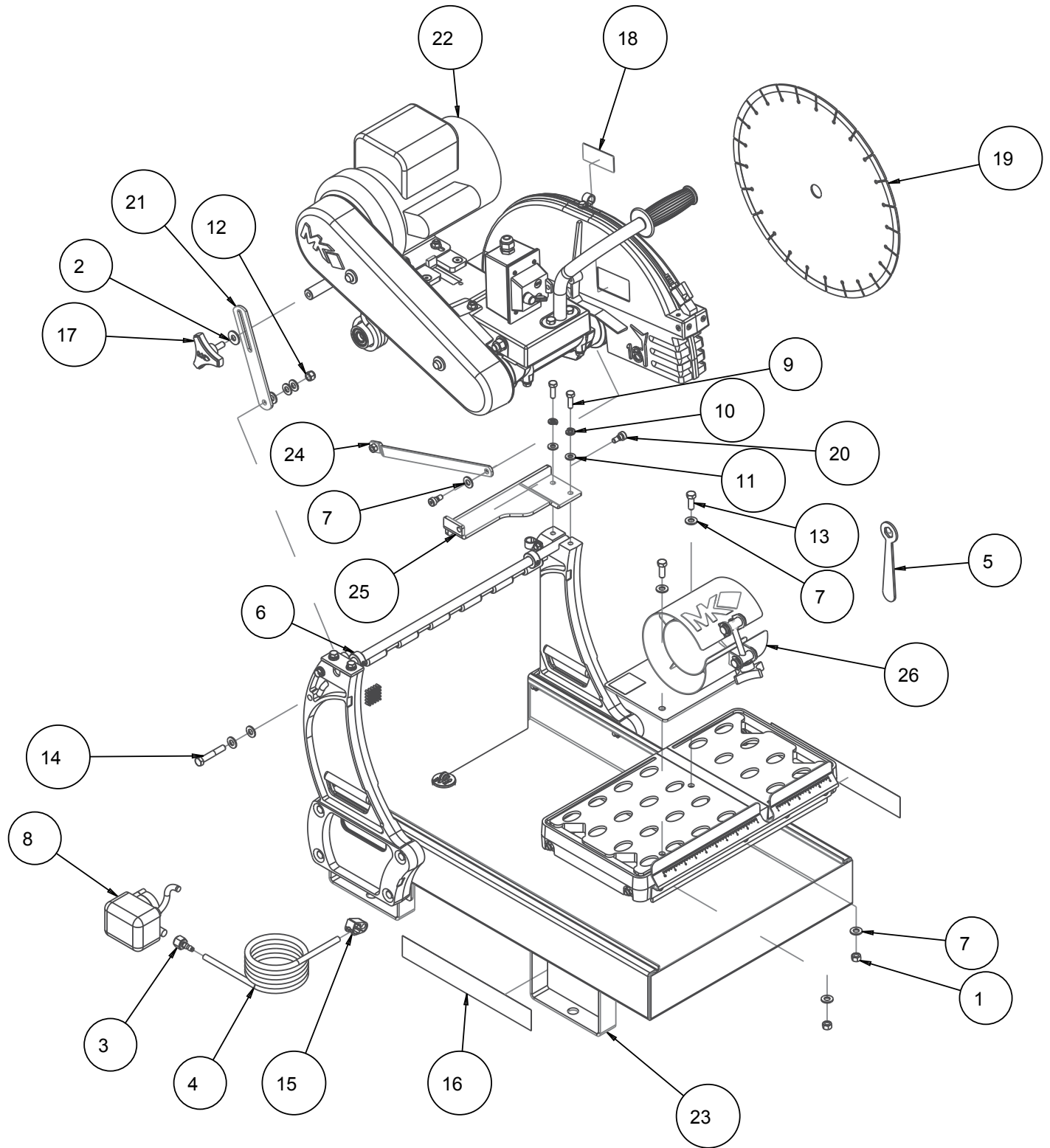
MK-2002 SAW ASSEMBLY PART # 150598-16



**MK-2002 SAW ASSEMBLY PART # 150598-16**

ITEM	DESCRIPTION	PART #	QTY.
1	WASHER, FLAT, USS, 3/8	101360	1
2	ADAPTER, PUMP TPF-22 1/4X 1/4	128397	1
3	RIP GUIDE, BRICK/BLOCK SAW	132332-MK	1
4	HOSE, VINYL, 1/4X 3/8 (6')	132951	1
5	WRENCH, 3/4 BOX END	134056	1
6	COLLAR, 1.13 ODX.625ID .5 WIDE	140012	2
7	WASHER, FLAT, SAE, 3/8	150923	6
8	PUMP, WATER, G-150A	151271	1
9	SCREW, HEX HD, 5/16-18X1	151743	2
10	WASHER, LOCK, SPLIT, 5/16	151747	2
11	WASHER, FLAT, SAE, 5/16	151754	2
12	NUT, NYLK, 3/8-16	152505	1
13	SCREW, HEX HD, CAP, 3/8-16 X 2-1/4	153529	1
14	CLAMP, HOSE, 1/4-1/2 FLOW	154394	1
15	LABEL, MK BRICKSAW 12-1/2 X 1-3/4	155230	2
16	KNOB, TRI PLASTIC, 1"	156770-01	1
17	TAG, SERIAL NUMBER, BLANK	157500-RW	1
18	BLADE, MK-414PBSL 16X125X1	160765	1
19	SCREW, SHOULDER 5/16 X 2	162555	2
20	BAR, CUTTING HEAD ADJ	166868	1
21	ASSY, CUTTING HEAD, 2 HP, 16"	170816	1
22	ASSY, FRAME, 2000, CORE CUT	170818-CC	1
23	BAR, BLADE GUARD ADJ, 2000-16	172036	1
24	BRACKET, STAY LEVEL 2000-16	172037	1

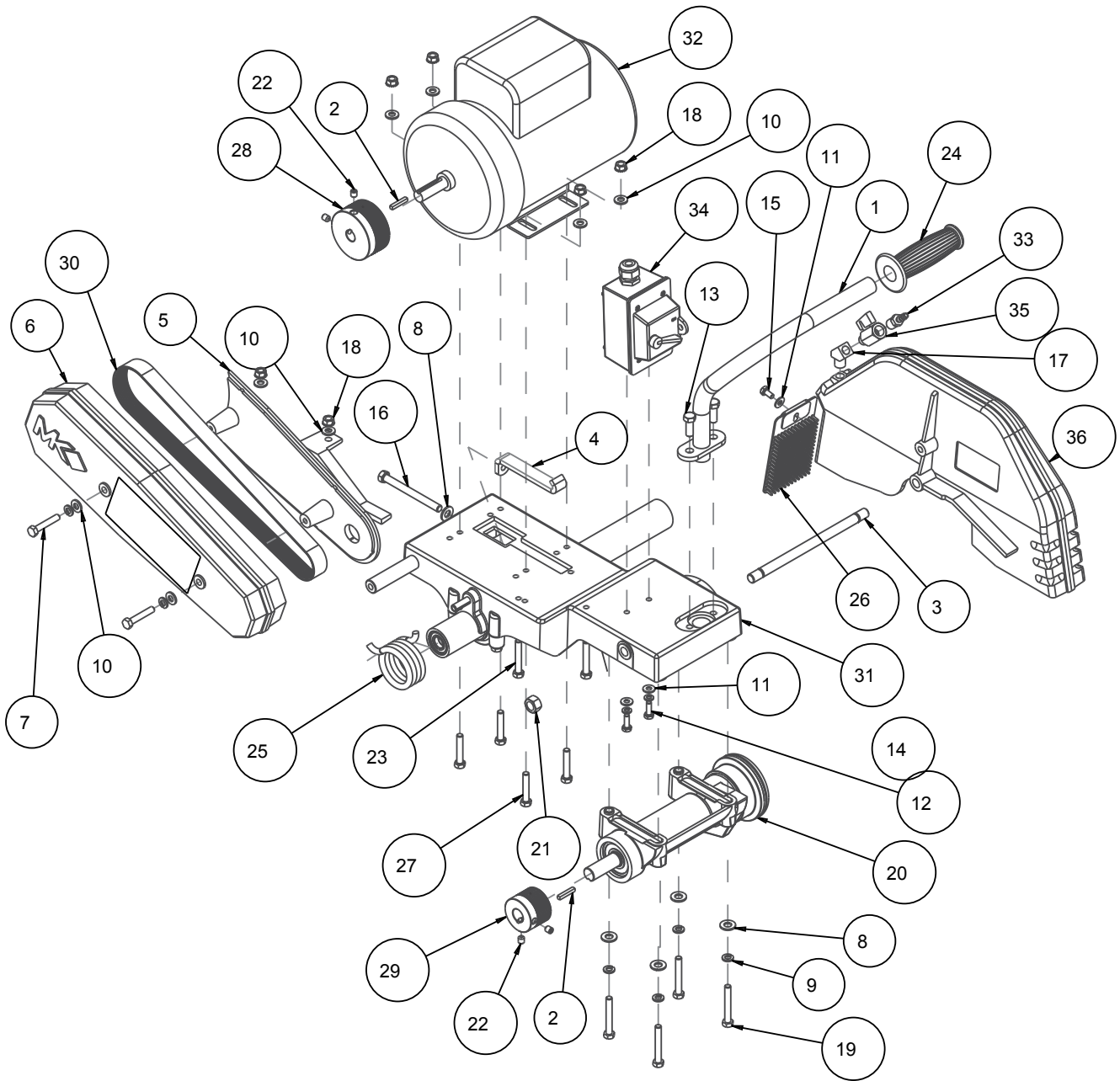
MK-2002 SAW ASSEMBLY PART # 150598-16-CC



**MK-2002 SAW ASSEMBLY PART # 150598-16-CC**

ITEM	DESCRIPTION	PART #	QTY.
1	NUT, HEX, 3/8-16	101188	2
2	WASHER, FLAT, USS, 3/8	101360	1
3	ADAPTER, PUMP TPF-22 1/4X 1/4	128397	1
4	HOSE, VINYL, 1/4X 3/8 (6')	132951	1
5	WRENCH, 3/4 BOX END	134056	1
6	COLLAR, 1.13 ODX.625ID .5 WIDE	140012	2
7	WASHER, FLAT, SAE, 3/8	150923	10
8	PUMP, WATER, G-150A	151271	1
9	SCREW, HEX HD, 5/16-18X1	151743	2
10	WASHER, LOCK, SPLIT, 5/16	151747	2
11	WASHER, FLAT, SAE, 5/16	151754	2
12	NUT, HEX, NYLK, 3/8-16	152505	1
13	SCREW, HEX HD, CAP, 3/8-16 X 1	152507	2
14	SCREW, HEX HD, CAP, 3/8-16 X 2-1/4	153529	1
15	CLAMP, HOSE, 1/4-1/2 FLOW	154394	1
16	LABEL, MK BRICKSAW 12-1/2 X 1-3/4	155230	2
17	KNOB, TRI PLASTIC, 1"	156770-01	1
18	TAG, SERIAL NUMBER, BLANK	157500-RW	1
19	BLADE, MK-414PBSL 16X125X1	160765	1
20	SCREW, SHOULDER 5/16 X 2	162555	2
21	BAR, CUTTING HEAD ADJ	166868	1
22	ASSY, CUTTING HEAD, 2 HP, 16"	170816	1
23	ASSY, FRAME, 2000, CORE CUT	170818-CC	1
24	BAR, BLADE GUARD ADJ, 2000-16	172036	1
25	BRACKET, STAY LEVEL 2000-16	172037	1
26	ASSY, CLAMP, CORE CUT	172189	1

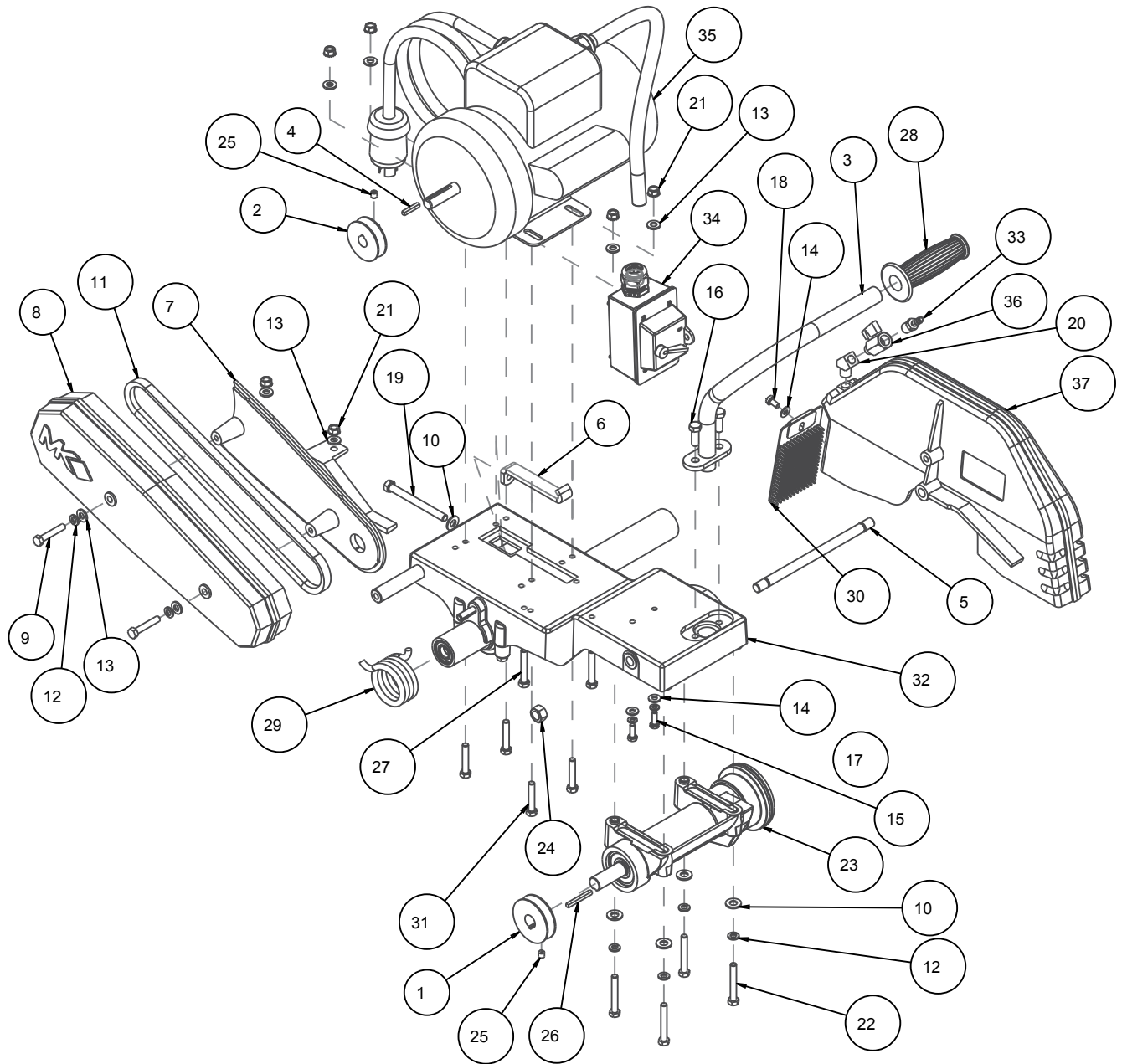
MK-2000 CUTTING HEAD, 1.5 HP PART # 170813



**MK-2000 CUTTING HEAD, 1.5 HP PART # 170813**

ITEM	DESCRIPTION	PART #	QTY.
1	HANDLE, BRICKSAW	139931	1
2	KEY, 3/16 SQ X 1-1/8	150344	2
3	STUD, BLD GUARD	150581	1
4	STRAP, MOTOR ADJ	150584	1
5	GUARD, BELT, INNER, ELEC-COMP	150590	1
6	GUARD, BELT, OUTER, ELC-COMP	150591	1
7	SCREW, HEX HD, CAP, 5/16-18 X 1-3/4	150919	2
8	WASHER, FLAT, SAE, 3/8	150923	5
9	WASHER, LOCK, SPLIT, 5/16	151747	6
10	WASHER, FLAT, SAE, 5/16	151754	8
11	WASHER, FLAT, SAE, 1/4	151915	3
12	SCREW, HEX HD, 1/4-20X3/4	152370	2
13	SCREW, HEX HD CAP, 3/8-16 X 1	152507	2
14	WASHER, LOCK, SPLIT, 1/4	152591	2
15	SCREW, 1/4-20 X 1/2 HEX HEAD	152608	1
16	BOLT, 3/8-16 X 4 HEX HEAD TAP	152678	1
17	ELBOW, 1/4 NPT X 45 STREET	153869	1
18	NUT, HEX, TW, 5/16-18	153942	6
19	SCREW, HEX, 5/16-18 X 2-1/4	153951	4
20	ASSY, ARBOR, MK-2000	154636	1
21	NUT, 1/2-13 CENTERLOCK HEX	156279	1
22	SCREW, SET, KNR CUP, 5/16-18X3/8	157083	4
23	SCREW, HEX HD, TAP, 5/16-18X2	157938	2
24	GRIP, HANDLE 7/8 ID	158608	1
25	SPRING, TORSION, 50 DEG	160069	1
26	GUARD, SPLASH	160310	1
27	SCREW, HEX HD, TAP, 5/16-18 X 1-3/4	160948	6
28	PULLEY, 10J28 X 5/8 BORE	160949	1
29	PULLEY, 10J19 X.75 BORE	160950	1
30	BELT, 10J340	160952	1
31	ASSY, MOTOR MOUNT, MK-2000	160966	1
32	MOTOR, 1.5HP 60HZ 1725R.P.M 1PH	161099	1
33	FITTING, PUSH ON HOSE 1/4 X 1/4 MALE	165183	1
34	ASSY, SWITCH BOX, 30AMP, LTF1/2	172836-1	1
35	VALVE, BALL 1/4"M X 1/4"F	231248	1
36	CASTING, 2000, BLD GRD-COMP	150579G	1

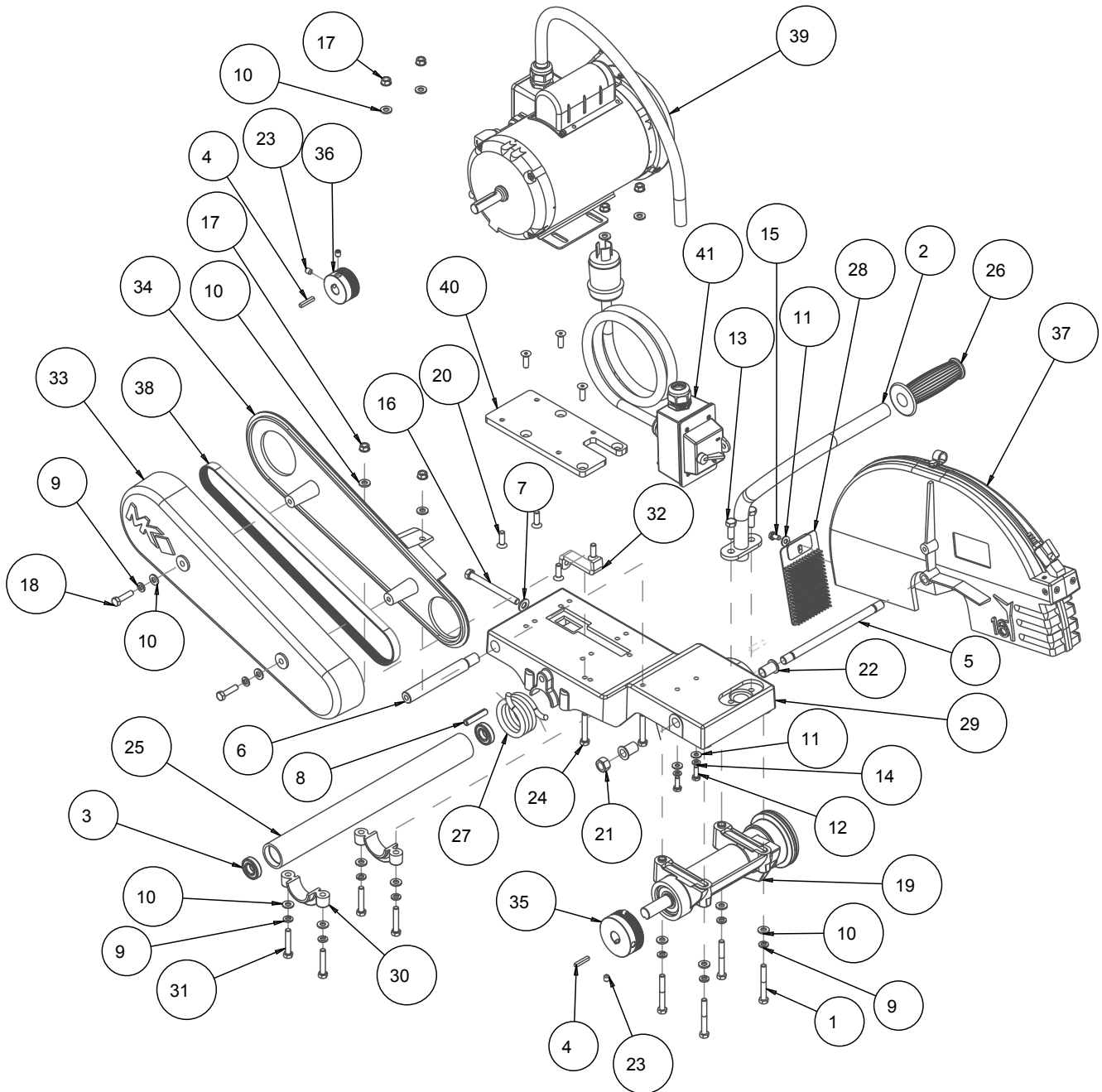
MK-2000 CUTTING HEAD, 2 HP, 14" PART # 170815



**MK-2000 CUTTING HEAD, 2 HP 14" PART # 170815**

ITEM	DESCRIPTION	PART #	QTY.
1	PULLEY, 1A22 X 3/4" BORE	133140	1
2	PULLEY, 1A22 X 5/8" BORE	133157	1
3	HANDLE, BRICKSAW	139931	1
4	KEY, 3/16 SQ X 1-1/8	150344	1
5	STUD, BLD GUARD	150581	1
6	STRAP, MOTOR ADJ	150584	1
7	GUARD, BELT, INNER, ELEC-COMP	150590	1
8	GUARD, BELT, OUTER, ELEC-COMP	150591	1
9	SCREW, HEX HD, CAP, 5/16-18 X 1-3/4	150919	2
10	WASHER, FLAT, SAE, 3/8	150923	5
11	BELT, AX32	151723	1
12	WASHER, LOCK, SPLIT, 5/16	151747	6
13	WASHER, FLAT, SAE, 5/16	151754	8
14	WASHER, FLAT, SAE, 1/4	151915	3
15	SCREW, HEX HD, 1/4-20X3/4	152370	2
16	SCREW, HEX HD CAP, 3/8-16 X 1	152507	2
17	WASHER, LOCK, SPLIT, 1/4	152591	2
18	SCREW, 1/4-20 X 1/2 HEX HEAD	152608	1
19	BOLT, 3/8-16 X 4 HEX HEAD TAP	152678	1
20	ELBOW, 1/4 NPT X 45 STREET	153869	1
21	NUT, HEX, TW, 5/16-18	153942	6
22	SCREW, HEX, 5/16-18 X 2-1/4	153951	4
23	ASSY, ARBOR, MK-2000	154636	1
24	NUT, 1/2-13 CENTERLOCK HEX	156279	1
25	SCREW, SET, KNR CUP, 5/16-18X3/8	157083	2
26	KEY, 3/16 X 3/16 X 1-3/4	157561	1
27	SCREW, HEX HD, TAP, 5/16-18X2	157938	2
28	GRIP, HANDLE 7/8 ID	158608	1
29	SPRING, TORSION, 50 DEG	160069	1
30	GUARD, SPLASH	160310	1
31	SCREW, HEX HD, TAP, 5/16-18 X 1-3/4	160948	6
32	ASSY, MOTOR MOUNT, MK-2000	160966	1
33	FITTING, PUSH ON HOSE 1/4 X 1/4 MALE	165183	1
34	ASSY, SWITCHBOX, 30A, MLTF1/2	172836-2	1
35	VALVE, BALL 1/4"M X 1/4"F	231248	1
36	CASTING, 2000, BLD GRD-COMP	150579G	1

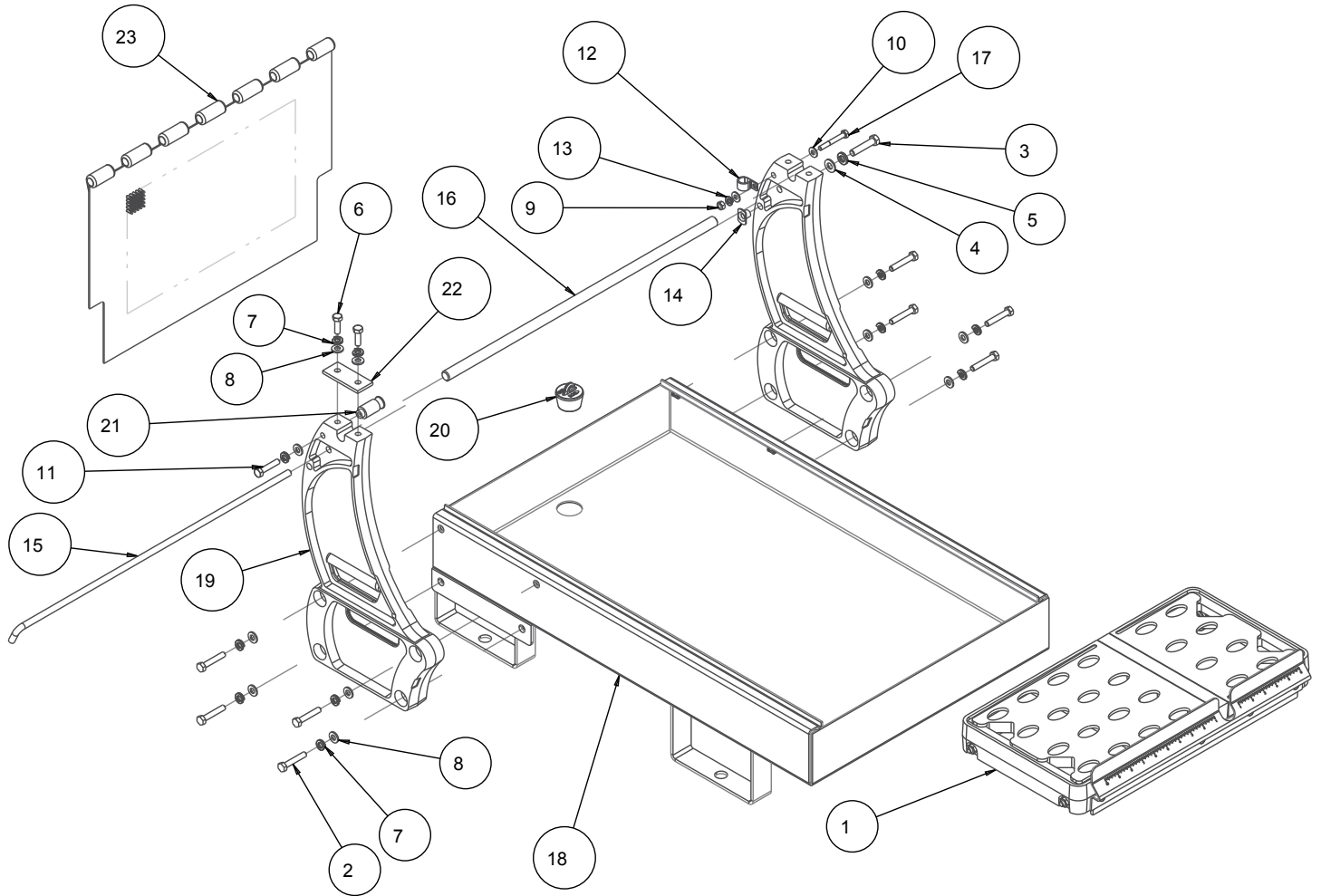
MK-2000 CUTTING HEAD, 2 HP 16" PART # 170816



**MK-2000 CUTTING HEAD, 2 HP 16" PART # 170816**

ITEM	DESCRIPTION	PART #	QTY.
1	SCREW, HEX HD 5/16-18 X 2-1/2	101675	4
2	HANDLE, BRICKSAW	139931	1
3	BEARING, CUTTING HD PIV	140004	2
4	KEY, 3/16 SQ X 1-1/8	150344	2
5	STUD, BLD GUARD	150581	1
6	BAR, ADJUSTMENT	150585	1
7	WASHER, FLAT, SAE, 3/8	150923	1
8	PIN, SLOTTED SPRING, 3/8 X 1-3/4	151358	1
9	WASHER, LOCK, SPLIT, 5/16	151747	10
10	WASHER, FLAT, SAE, 5/16	151754	16
11	WASHER, FLAT, SAE, 1/4	151915	3
12	SCREW, HEX HD, 1/4-20X3/4	152370	2
13	SCREW, HEX HD CAP, 3/8-16 X 1	152507	2
14	WASHER, LOCK, SPLIT, 1/4	152591	2
15	SCREW, 1/4-20 X 1/2 HEX HEAD	152608	1
16	BOLT, 3/8-16 X 4 HEX HEAD TAP	152678	1
17	NUT, HEX, TW, 5/16-18	153942	6
18	SCREW, HEX, 5/16-18 X 1-1/4	153950	2
19	ASSY, ARBOR, MK-2000	154636	1
20	SCREW, 5/16-18 X 1.0 FLAT HEAD SOCKET	155552	8
21	NUT, 1/2-13 CENTERLOCK HEX	156279	1
22	BUSHING, FLANGE, 1/2X5/8X1	156441	2
23	SCREW, SET, KNR CUP, 5/16-18X3/8	157083	4
24	SCREW, HEX HD, TAP, 5/16-18X2	157938	2
25	HOUSING, PIVOT SHAFT	157979	1
26	GRIP, HANDLE 7/8 ID	158608	1
27	SPRING, TORSION, 50 DEG	160069	1
28	GUARD, SPLASH	160310	1
29	MOUNT, MOTOR, MK-2000-COMP	160346	1
30	CLAMP, CUTTING HEAD (COMP)	160397	2
31	SCREW, HEX HD, TAP, 5/16-18 X 1-3/4	160948	4
32	STRAP, MOTOR ADJ	170807	1
33	GUARD, BELT, OUTER, COMP 2000-16	170808	1
34	GUARD, BELT, INNER, COMP 2000-16	170810	1
35	PULLEY, 6J26 X 3/4 BORE	172033	1
36	PULLEY, 6J19 X 5/8 BORE, 2SS	172034	1
37	ASSY, GUARD, BLADE, COMPLETE 2000-16	172035	1
38	BELT, 6JX380	172052	1
39	MTR, 2HP 230V 3450RPM PL3515M-COMP	172729	1
40	ADAPTER PLATE, STOCK MOTOR	172795	1
41	ASSY, SWITCH BOX, 30AMP, 202-16	172836-9	1

ASSY. FRAME PART # 170818

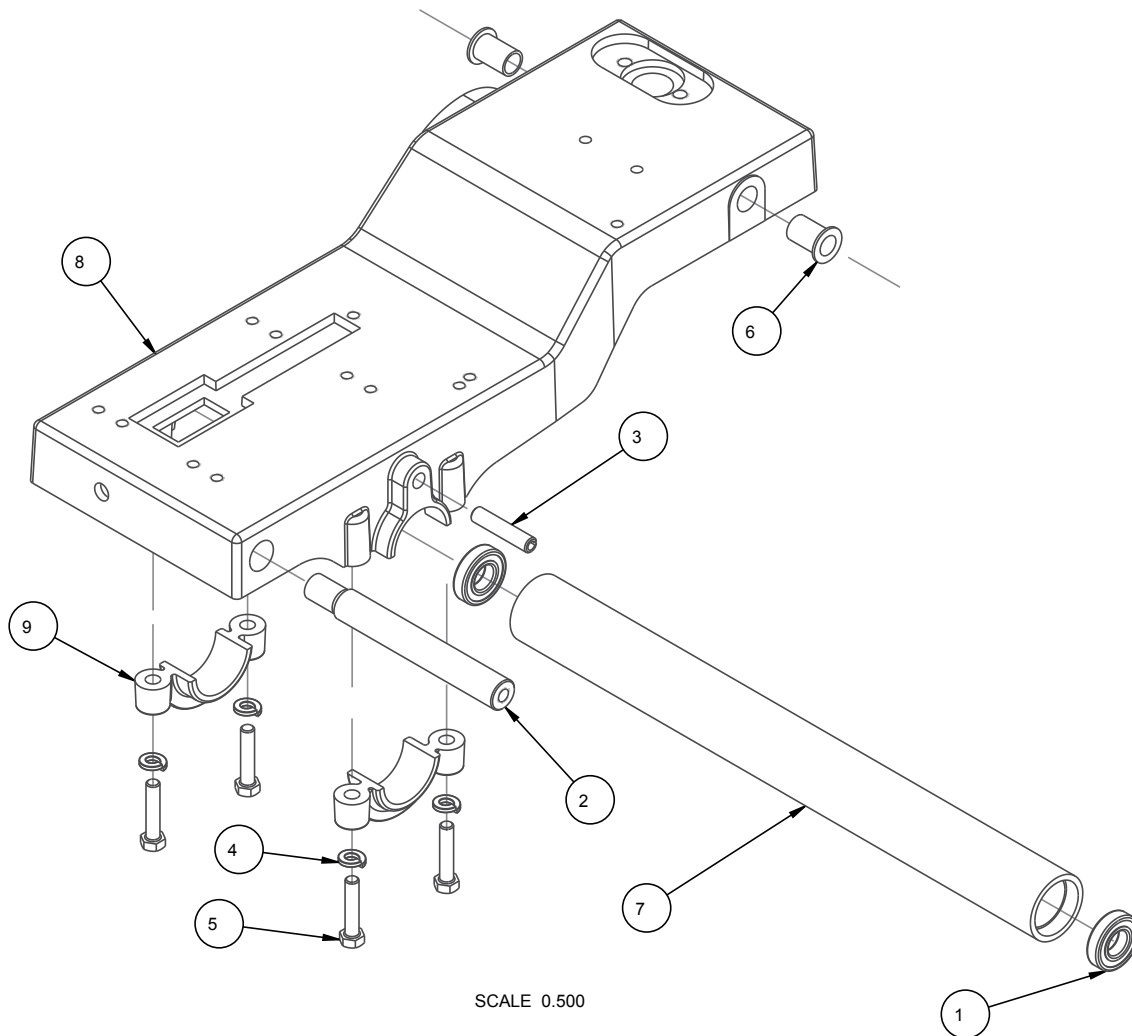


BOM SUBSTITUTION TABLE		SUB
PART NO.	DESCRIPTION	
170818-BD	ASSY, FRAME, 2000, BD	133082-BD
170818-CC	ASSY, FRAME, 2000, CORE CUT	133082-CC

## ASSY. FRAME PART # 170818

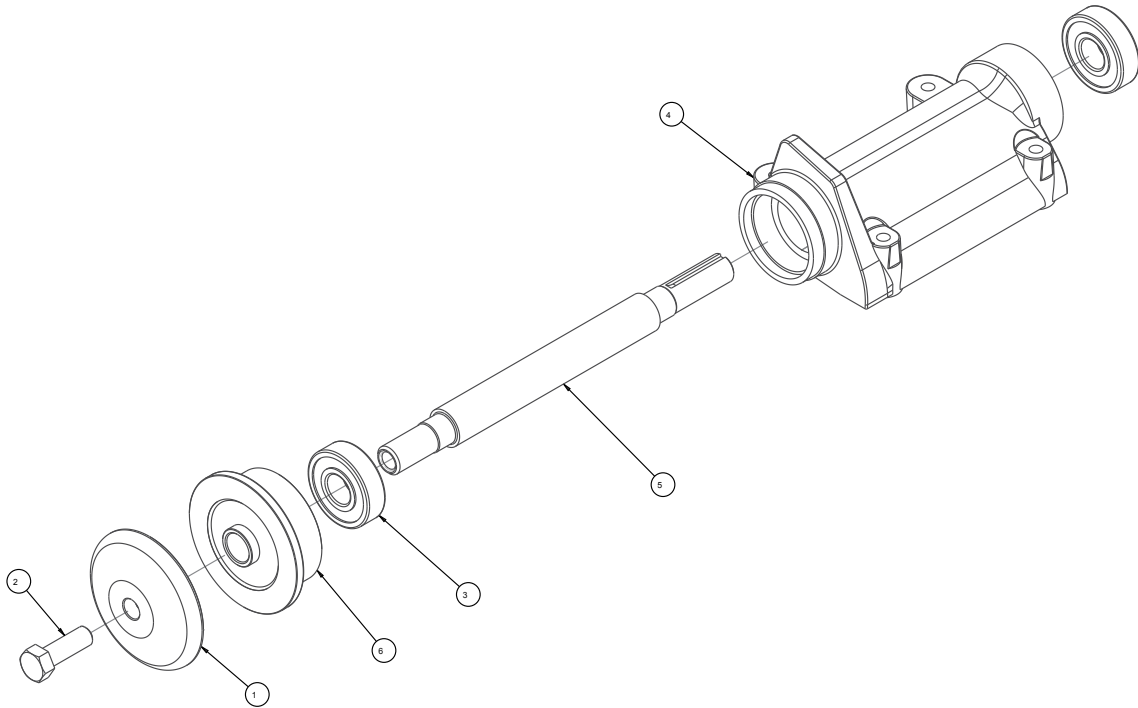
ITEM	DESCRIPTION	PART #	QTY.
1	ASSY, CONVYR CART	133082	1
2	SCREW, HEX HD, CAP, 5/16-18X1-3/4	150919	8
3	SCREW, HEX HD, 3/8-16 X 1-3/4	150920	1
4	WASHER, FLAT, SAE, 3/8	150923	1
5	WASHER, LOCK, SPLIT, 3/8	150925	1
6	SCREW, HEX HD, 5/16-18X1	151743	2
7	WASHER, LOCK, SPLIT, 5/16	151747	11
8	WASHER, FLAT, SAE, 5/16	151754	11
9	NUT, HEX, 1/4-20	151893	1
10	WASHER, FLAT, SAE, 1/4	151915	2
11	SCREW, 5/16-18 X 1-1/2 HEX HEAD MACHINE	152467	1
12	CLAMP, 1/2 CUSHION LOOP	152471	1
13	WASHER, LOCK, SPLIT, 1/4	152591	1
14	NUT, WELD, SLAB. 3/8-16	153945	1
15	ROD, SPLASH CURTAIN	153956	1
16	SHAFT, PIVOT, 5/8	154147	1
17	SCREW, HEX HD 1/4-20 X 2	158282	1
18	WELDMENT, BASE FRAME	158845	1
19	POST (COMP)	158846	2
20	DRAIN PLUG, W/RING	159529	1
21	STUD, SPRING RETAINING	160066	1
22	BRACKET, PIVOT SHAFT	160070	1
23	CURTAIN, SPLASH, MK-2000	160972	1

**ASSY, MOTOR MOUNT PART # 160966**



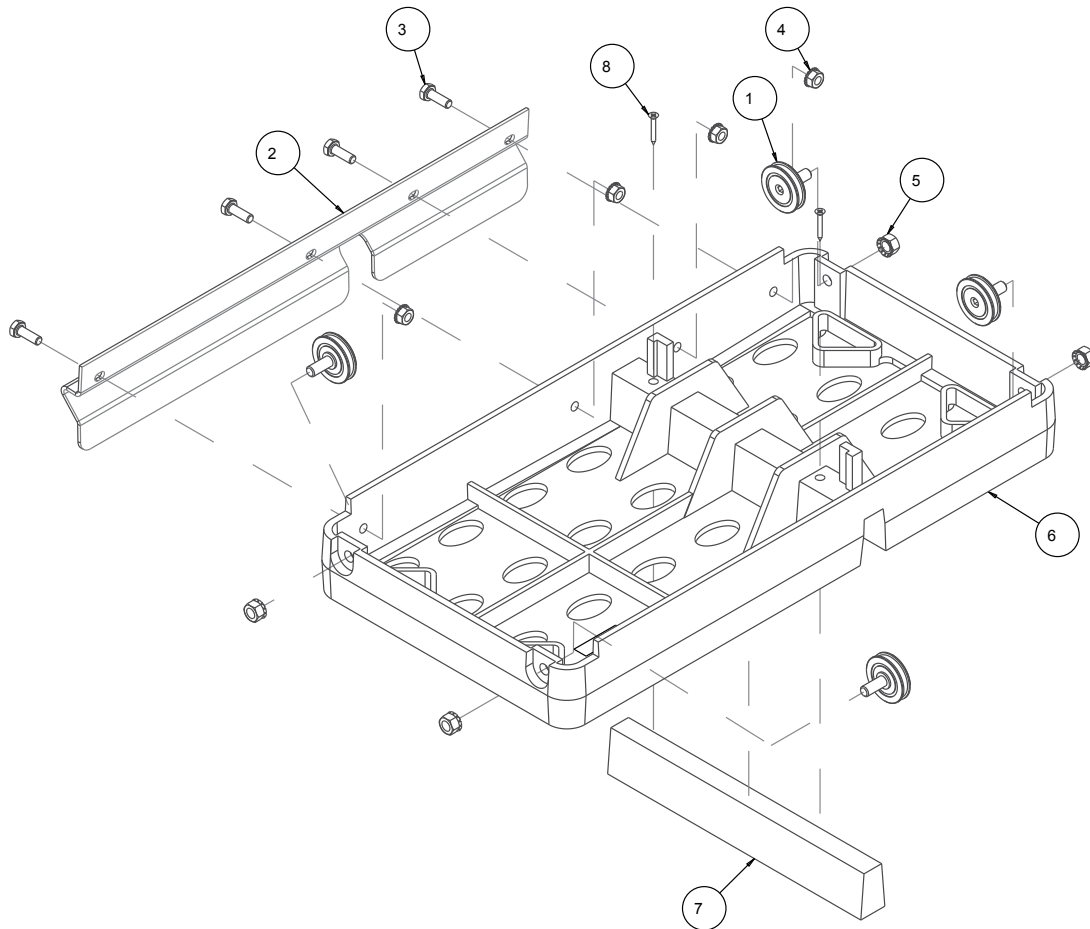
ITEM	DESCRIPTION	PART #	QTY.
1	BEARING, CUTTING HD PIV	140004	2
2	BAR, ADJUSTMENT	150585	1
3	PIN, SLOTTED SPRING, 3/8 X 1-3/4	151358	1
4	WASHER, LOCK, SPLIT, 5/16	151747	4
5	SCREW, 5/16-18 X 1-1/2 HEX HEAD MACHINE	152467	4
6	BUSHING, FLANGE, 1/2X5/8X1	156441	2
7	HOUSING, PIVOT SHAFT	157979	1
8	HEAD, CUTTING (COMP)	160346	1
9	CLAMP, CUTTING HEAD (COMP)	160397	2

**ASSY. ARBOR PART # 154636**



ITEM	DESCRIPTION	PART #	QTY.
1	FLANGE, OUTER	132290	1
2	SCREW, HEX HD 1/2-20X1-1/4	152122	1
3	BEARING, ARBOR HOUSING	154594	2
4	CASTING, 2000/5000 ARBOR - COMP	154637	1
5	SHAFT, BLADE	154639	1
6	FLANGE, INNER ARBOR, 3-5/8"	154640	1

**ASSY TABLE PART # 133082**



BOM SUBSTITUTION TABLE		SUB
PART NO.	DESCRIPTION	
		158144
133082-BD	ASSY, CONVYR CART	166310
133082-CC	ASSY, CONVYR CART, CORE CUT	158144-CC

ITEM	DESCRIPTION	PART #	QTY.
1	WHEEL, CONVEYOR CART	133090	4
2	BACKSTOP, CONVEYOR CART	134387	1
3	SCREW, HEX HD, 1/4 -20 X 3/4	152370	4
4	NUT, HEX TW, 1/4 - 20	153941	4
5	NUT, HEX TW 5/16 - 18	153942	4
6	TABLE, D.C., COMP	158144	1
7	WOOD STRIP, TABLE INSERT	158283	1
8	SCREW, DRYWL, FLAT HD, #6X1	159906	2