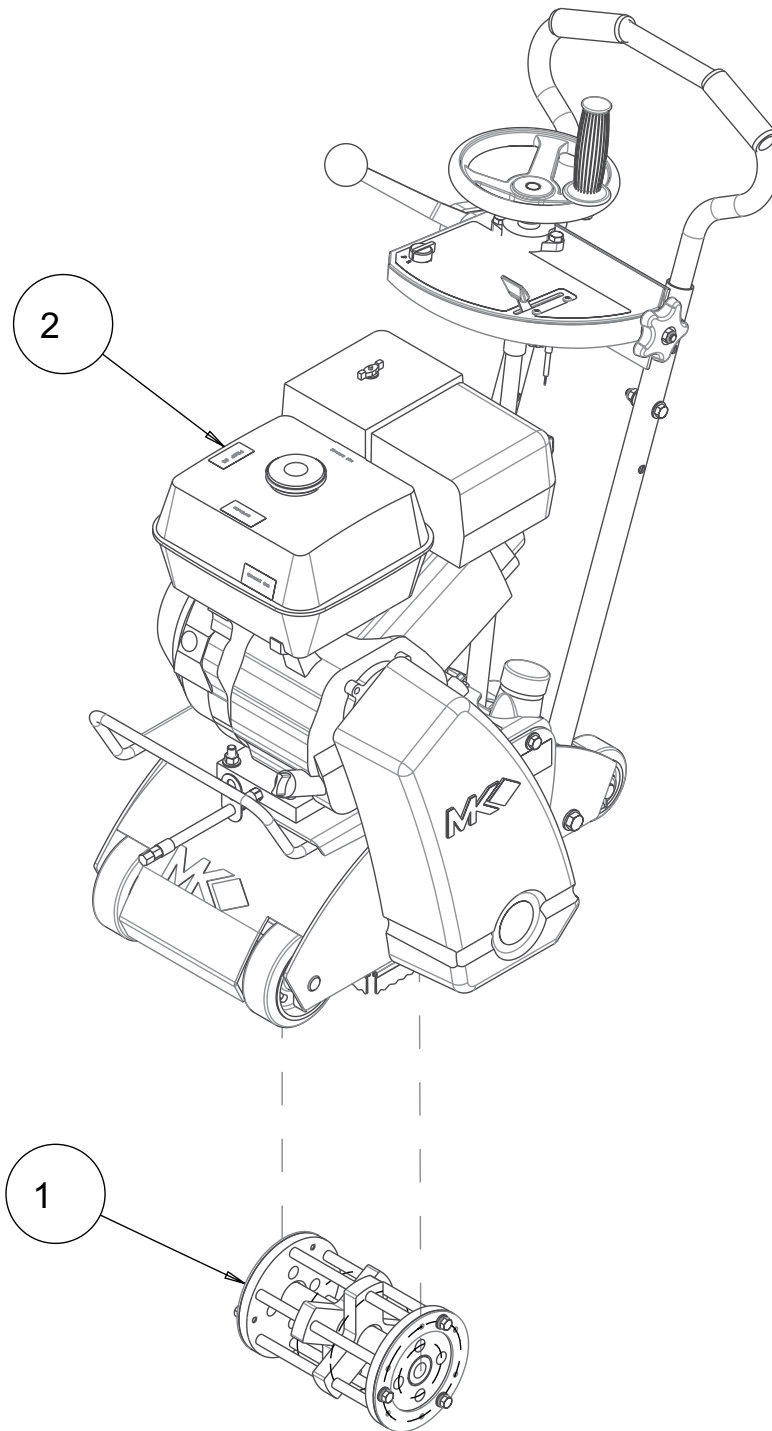
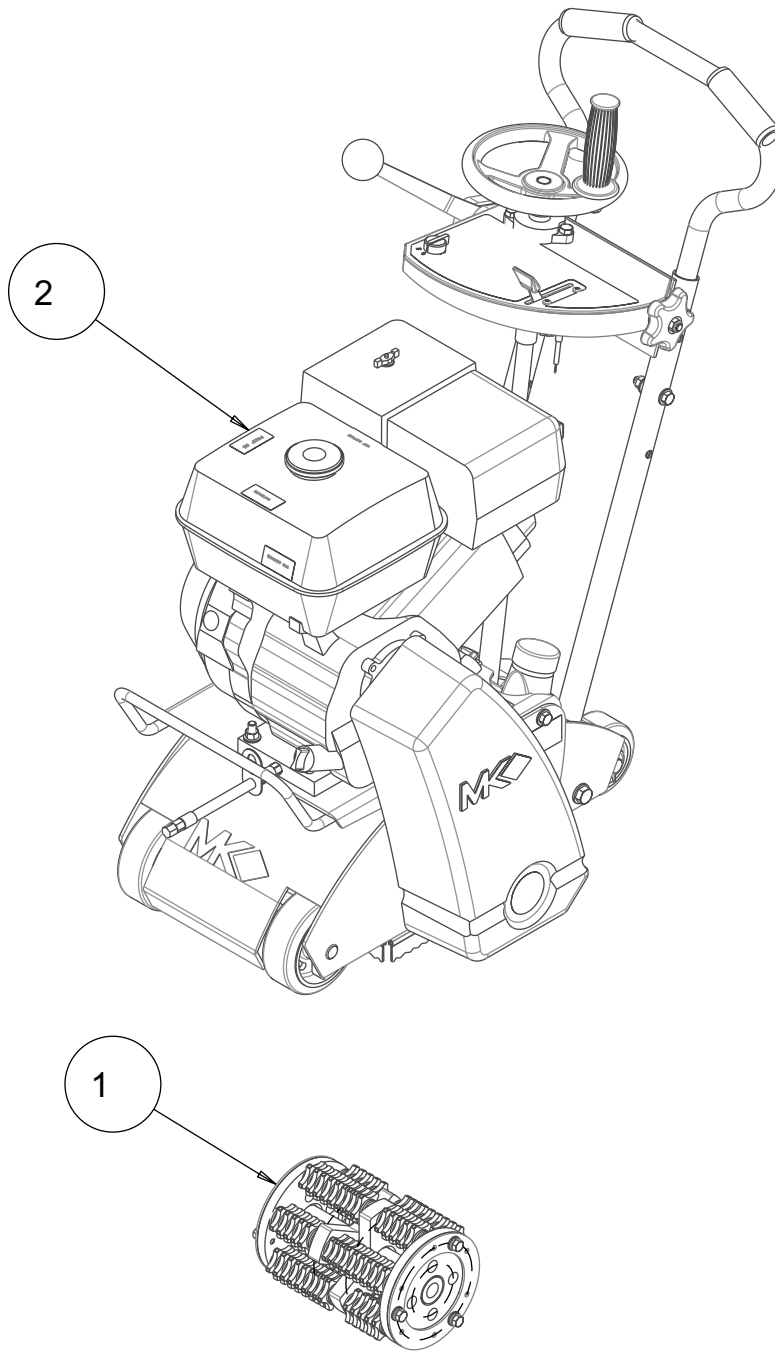


FIGURE 1 - MK-SG-9H W/EMPTY DRUM PART #158532



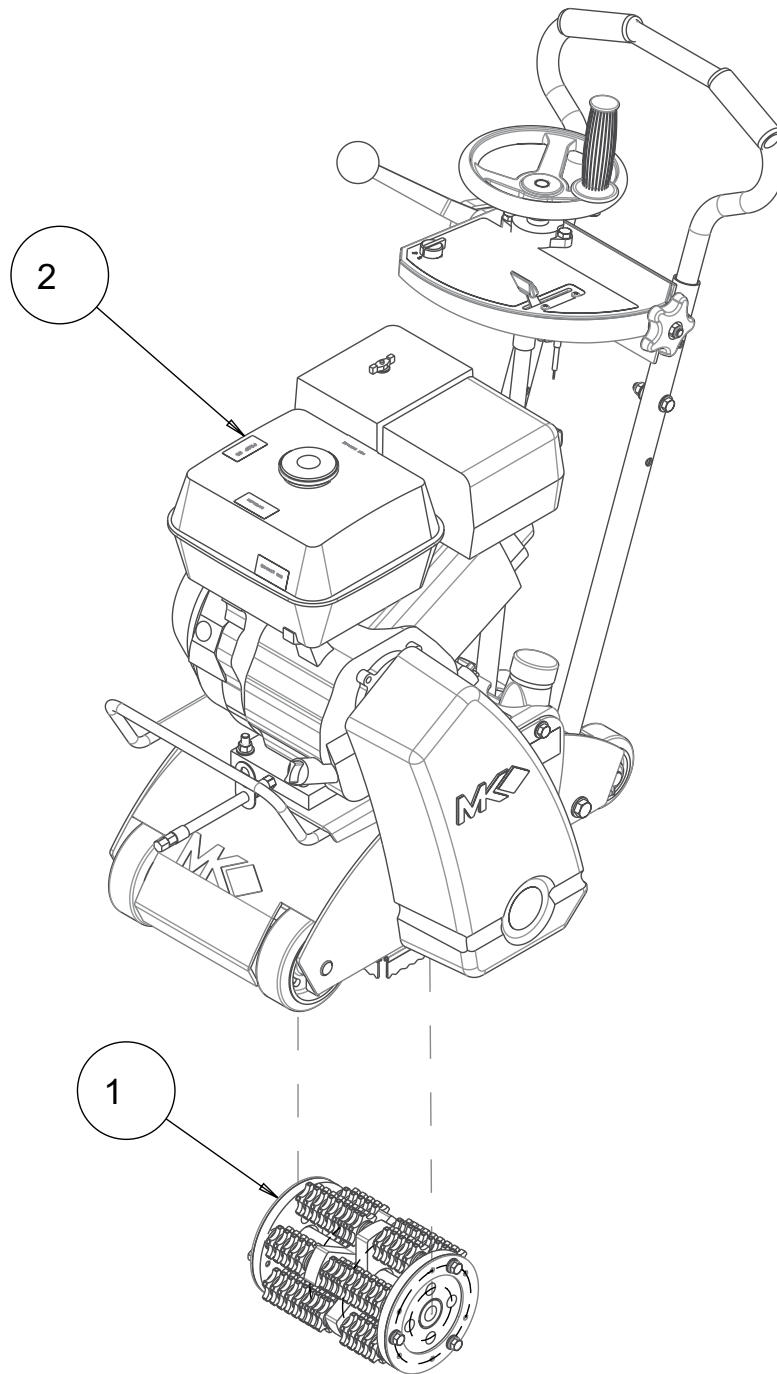
ITEM	DESCRIPTION	PART #	QTY
1	ASSY, SCARIFIER DRUM	158460	1
2	MK-SG-9H NO DRUM	166154	1

FIGURE 2 - MK-SG-9H W/5 POINT CARBIDE STAR PART #158941



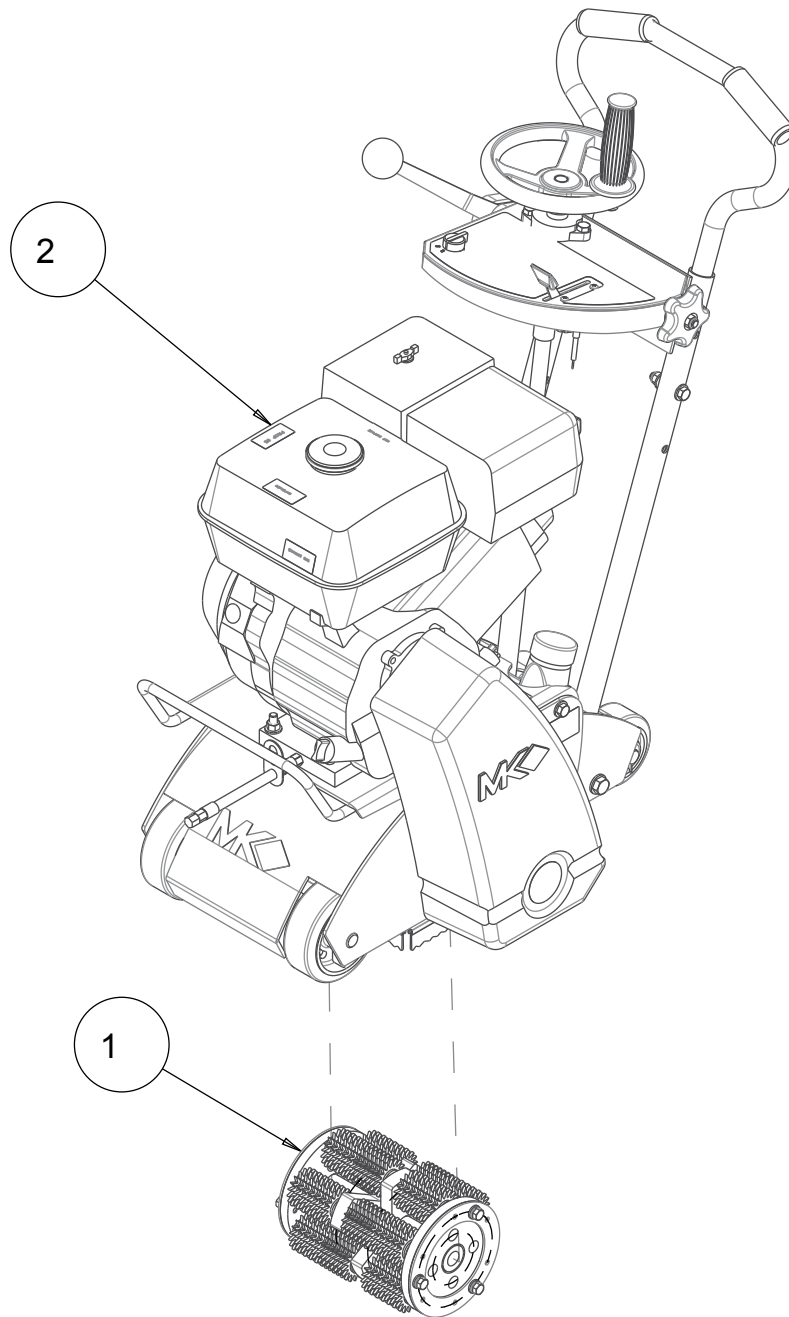
ITEM	DESCRIPTION	PART #	QTY
1	ASSY, 8" DRUM, 84 X 5 PT STAR	158583	1
2	MK-SG-9H NO DRUM	166154	1

FIGURE 3 - MK-SG-9H W/6 POINT CARBIDE STAR PART #158942



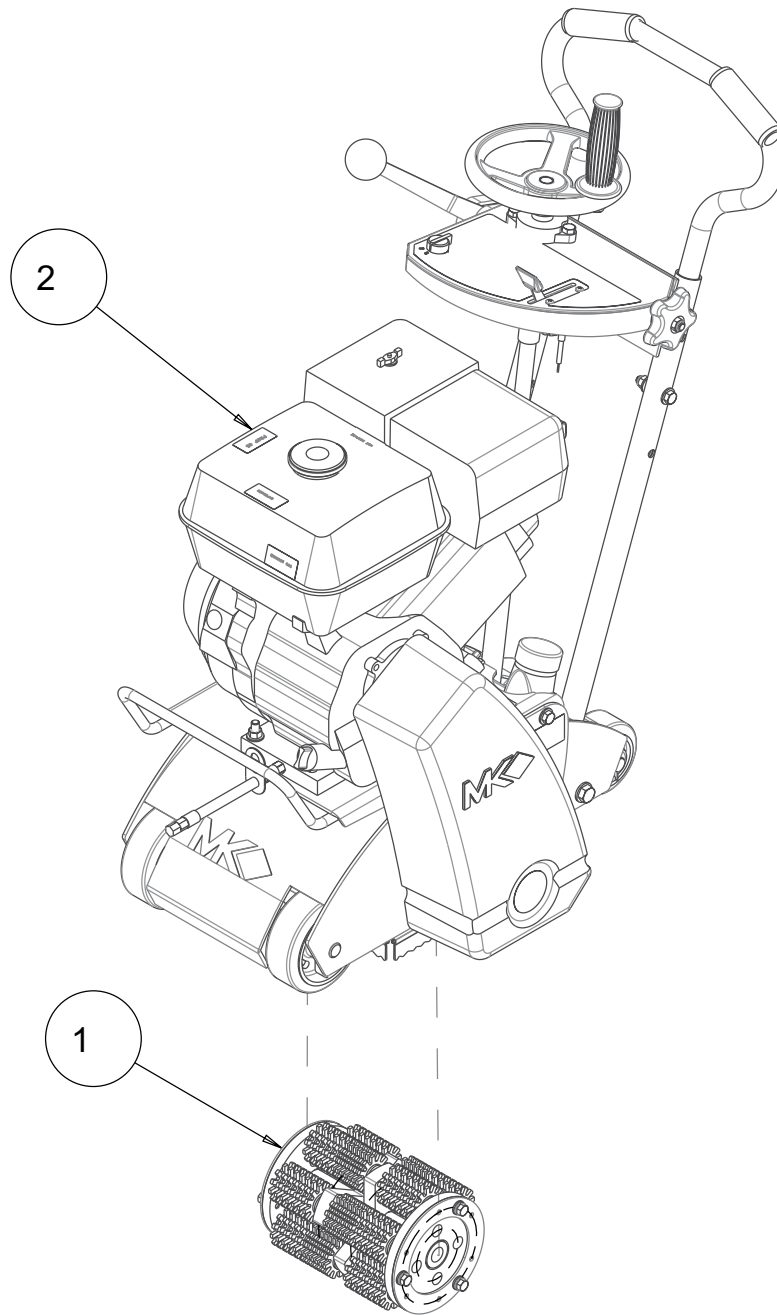
ITEM	DESCRIPTION	PART #	QTY
1	ASSY, 8" DRUM, 84 X 6 PT STAR	158584	1
2	MK-SG-9H NO DRUM	166154	1

FIGURE 4 - MK-SG-9H W/18 POINT STEEL SHARP PART #158943



ITEM	DESCRIPTION	PART #	QTY
1	ASSY, 8" DRUM, 114 X 18 SHARP STAR	158585	1
2	MK-SG-9H NO DRUM	166154	1

FIGURE 5 - MK-SG-9H W/12 POINT STEEL BLUNT PART #158944



ITEM	DESCRIPTION	PART #	QTY
1	ASSY, 8" DRUM, 114 X 12 BLUNT TOOTH	158586	1
2	MK-SG-9H NO DRUM	166154	1

FIGURE 11 - MK SCARIFIER MK-SG-9H NO DRUM PART #166154

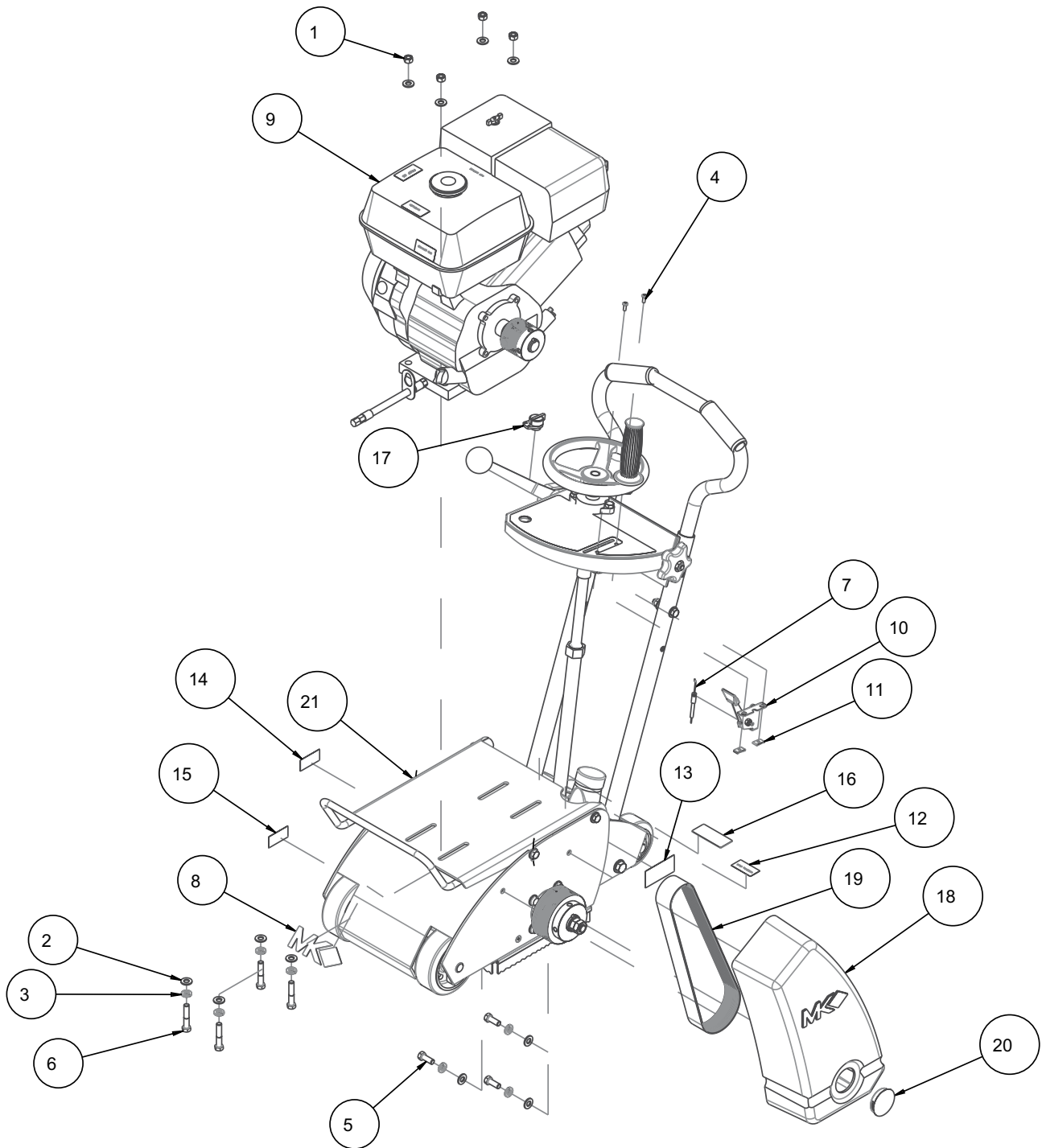


FIGURE 11 - MK SCARIFIER MK-SG-9H NO DRUM PART #166154

ITEM	DESCRIPTION	PART #	QTY
1	NUT, HEX, 3/8-16	101188	4
2	WASHER, FLAT, SAE, 3/8	150923	11
3	WASHER, LOCK, SPLIT, 3/8	150925	7
4	SCREW, PAN HD, #10-24X1/2	151744	2
5	SCREW, HEX HD CAP, 3/8-16 X 1	152507	3
6	SCREW, HEX HD, CAP, 3/8-16 X 2	153485	4
7	CABLE, 48" CONTROL (RAW)	154158	1
8	LABEL, 1-3/4 X 5 MK LOGO	154335	1
9	ASSY, ENGINE, HONDA, 9HP	155396-MK	1
10	ASSY, THROTTLE CONTROL	155406	1
11	NUT, 10-24 CLIP	155407	2
12	LABEL, CAUTION, DISCONNECT SPARKPLUG	155579	1
13	LABEL, CAUTION, BELT TENSION	155583	1
14	LABEL, CAUTION, HANDS AND FEET	155585	1
15	LABEL, CAUTION, GUARDS IN PLACE	155587	1
16	TAG, SERIAL NUMBER, BLANK	157500-RW	1
17	SWITCH, ENGINE ON/OFF, HONDA	157851	1
18	GUARD, BELT (COMP)	158104	1
19	BELT, 16J350	158469	1
20	PLUG, 2" DIA, REMOVABLE	158538	1
21	ASSY, MK-SG, LESS ENGINE	170578	1

FIGURE 13 - MK-SG LESS ENGINE PART # 170578

ITEM	DESCRIPTION	PART#	QTY.
1	NUT, HEX, 3/8 - 16	101188	2
2	WHEEL, FRONT 5" x 2" W	138537	2
3	SCREW, 3/8 - 16 X 1 - 1/4 HEX HEAD CAP	150774	2
4	KEY, 1/4 SQR X 1 - 3/4	150796	1
5	WASHER, FLAT, SAE, 3/8	150923	12
6	WASHER, 1/2 SAE FLAT	150924	4
7	WASHER, LOCK, SPLIT, 3/8	150925	10
8	WASHER, FLAT, SAE, 1/4	151915	8
9	NUT, HEX, NYLK, 3/8 - 16	152505	1
10	SCREW, HEX HD, CAP, 3/8 - 16 X 2	153485	1
11	SHIM, .045 THK .750 ID 1.250 OD	153699	6
12	SCREW, SET, CUP PT, 3/8 - 16 X 1/2	153710	2
13	COLLAR, SET, 3/4"	153814	2
14	FITTING, 1/4 - 28 GREASE	153852	2
15	PIN, COTTER 18 X 1 - 1/2	153861	2
16	NUT, HEX, TW, 1/4 - 20	153941	8
17	NUT, 1/2 - 13 HEX	153943	2
18	LINKAGE, DEPTH FEED 1600/9000	155049	1
19	SCREW, PAN HD, CAP, 1/4 - 20 X 1/2	155452	4
20	SCREW, FLAT HEAD, 1/4 - 20 X /12 PHIL	155812	4
21	SCREW, HEX HD, TAP, 1/2 - 13 X 4	156626	2
22	SCREW, HEX HD, 3/8 - 24 X 1	157803	8
23	WELDMENT, MAIN FRAME	158098	1
24	WELDMENT, TRUCK, SCARIFIER	158099	1
25	SHAFT, DRUM HEX, SCARIFIER	158465	1
26	SHAFT, PULLEY	158466	1
27	HOUSING, BEARING	158467	2
28	BEARING, 207 SERIES	158468	1
29	PULLEY, 16J40 X 1 - 1/4 BORE	158472	1
30	SCREW, SOC, HD, CAP, 3/8 - 24 X 3/4	158496	4
31	WHEEL, 4" DIA X 2" W, 3/4 ID BEARING	158520	2
32	AXLE, FRONT	158522	1
33	NUT, HEX JAM 5/8 - 11UNC LH	158577	2
34	GUARD, SHAFT (COMP)	158581	1
35	ASSY, DUST SCREEN, RIGHT SIDE	158594	1
36	ASSY, DUST SCREEN, LEFT SIDE	158595	1
37	ASSY, DUST SCREEN, FRONT/BACK	158596	2
38	CAP, VINYL, 2" ID	158914	1
39	BEARING, 1" ID - UCS207 - 1" HEX	160834	1

FIGURE 13 - MK-SG LESS ENGINE PART # 170578

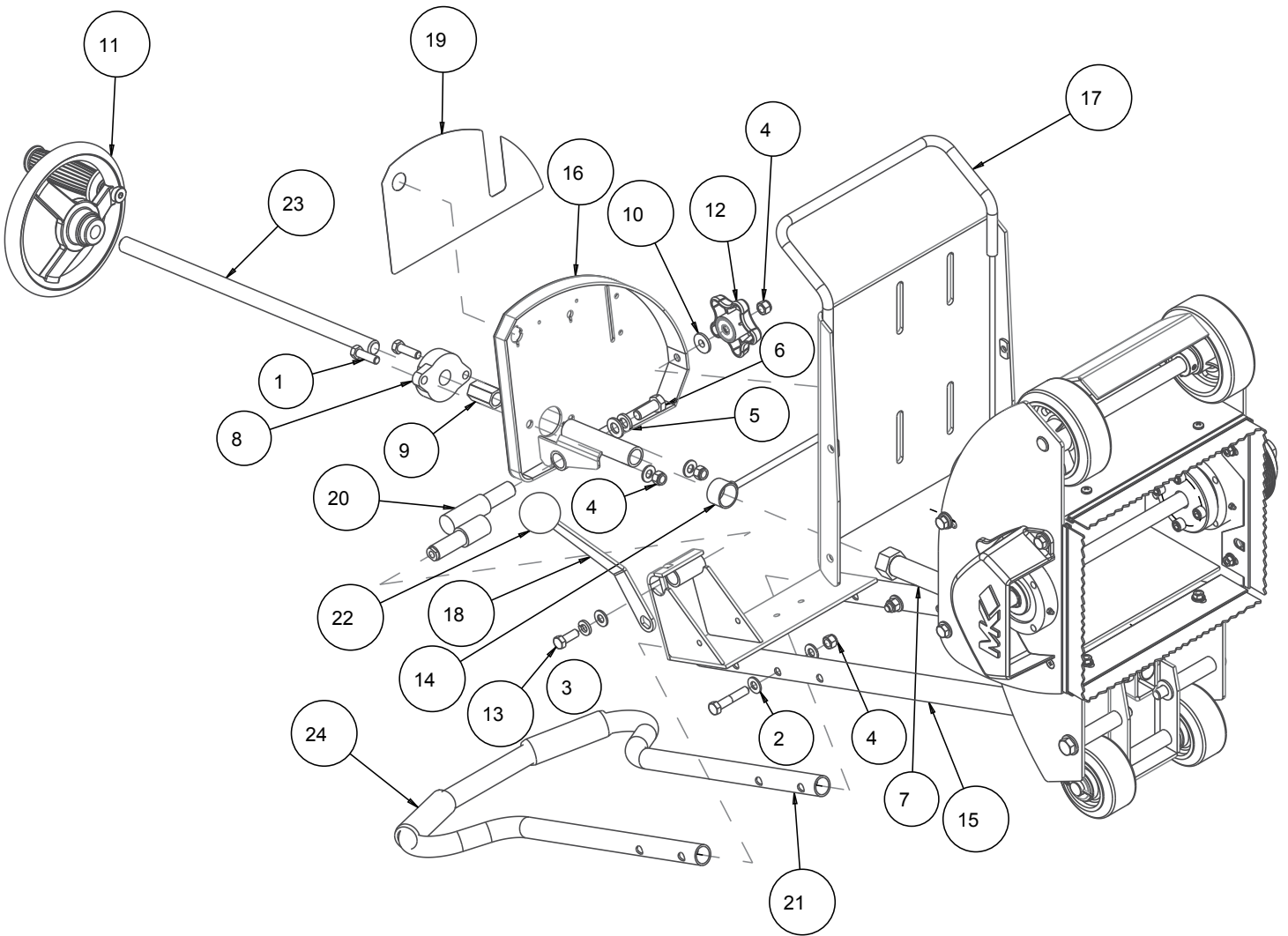
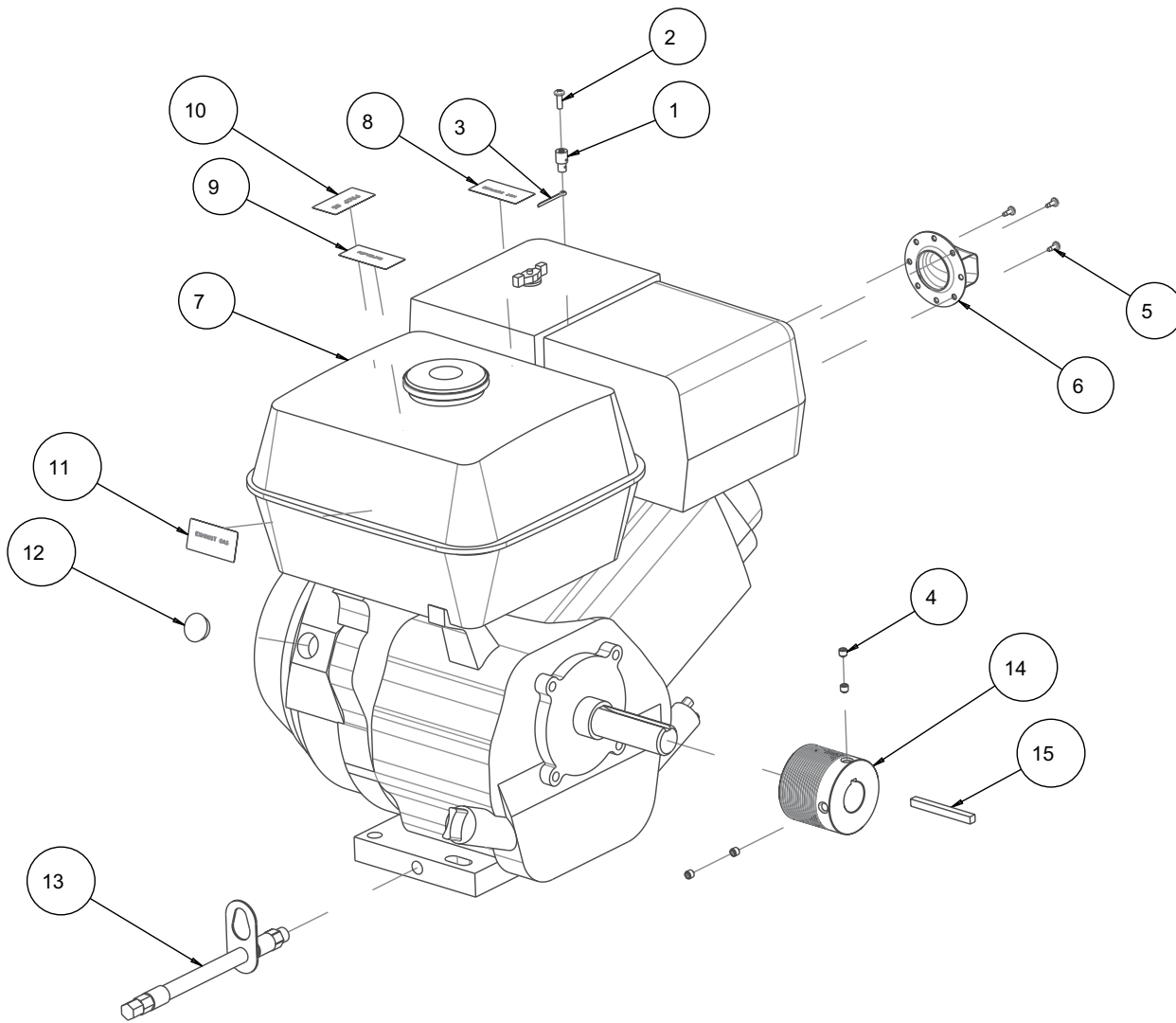


FIGURE 13 - MK-SG LESS ENGINE PART # 170578

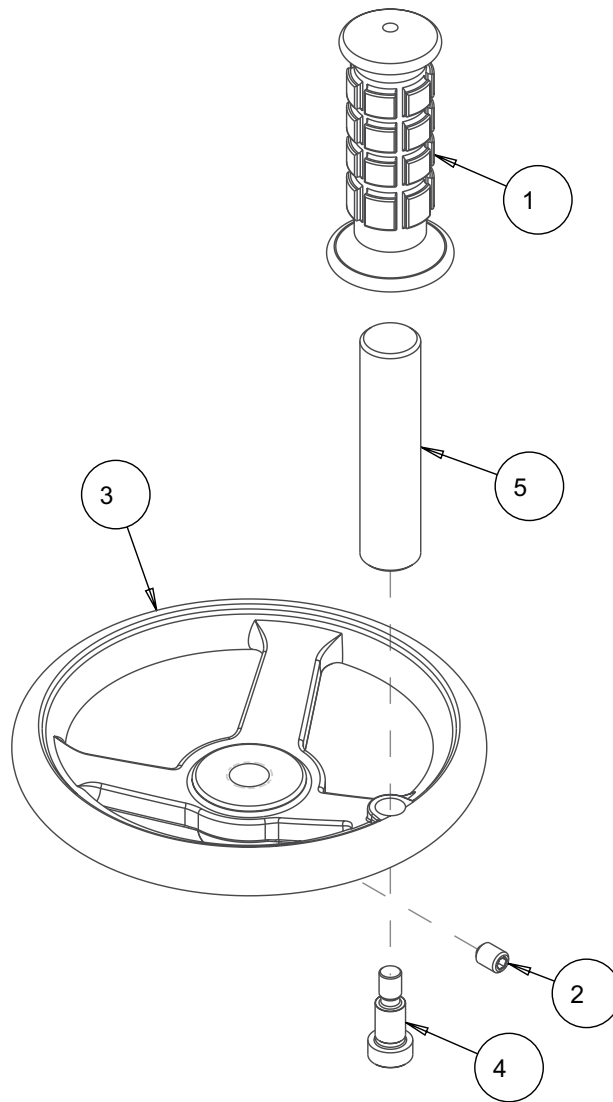
ITEM	DESCRIPTION	PART#	QTY.
1	SCREW, 3/8 - 16 X 1 - 1/4 HEX HEAD CAP	150774	6
2	WASHER, FLAT, SAE, 3/8	150923	25
3	WASHER, LOCK, SPLIT, 3/8	150925	15
4	NUT, HEX, NYLK, 3/8 - 16	152505	8
5	WASHER, 1/2 SPLIT LOCK	153524	1
6	SCREW, 1/2-13 X 1-1/4 HEX HEAD CAP	153532	1
7	LINKAGE, DPTH FEED 1600/9000	155049	1
8	BEARING, FHSLF 204-12G FLANGE	155151	1
9	SPACER, DEPTH CONTROL	155161	1
10	WASHER, THRUST	155238	1
11	ASSY, CRANK WHEEL, 3/4-10	155457	1
12	KNOB, ADJ, 5 PRONG COMP	155845	1
13	SCREW, HEX HD, 3/8-24 X 1	157803	9
14	LOCK, DEPTH CONTROL, 8-7/8	157846	1
15	WELDMENT, MAIN FRAME	158098	1
16	WELDMENT, CONSOLE	158100	1
17	MOUNT, ENGINE, SCARIFIER	158101	1
18	LEVER, ENGAGEMENT	158102	1
19	LABEL, CONSOLE	158287	1
20	PIVOT BAR, ENGAGEMENT	158288	1
21	HANDLEBAR	158359	1
22	KNOB, BALL, 2", 3/8-16 INSERT	158519	1
23	STUD, 3/4-10 X 17"	158521	1
24	GRIP, HANDLE	229413	2

FIGURE 14 - MK-SG ASSY, ENGINE, HONDA, 9HP PART # 155396-MK



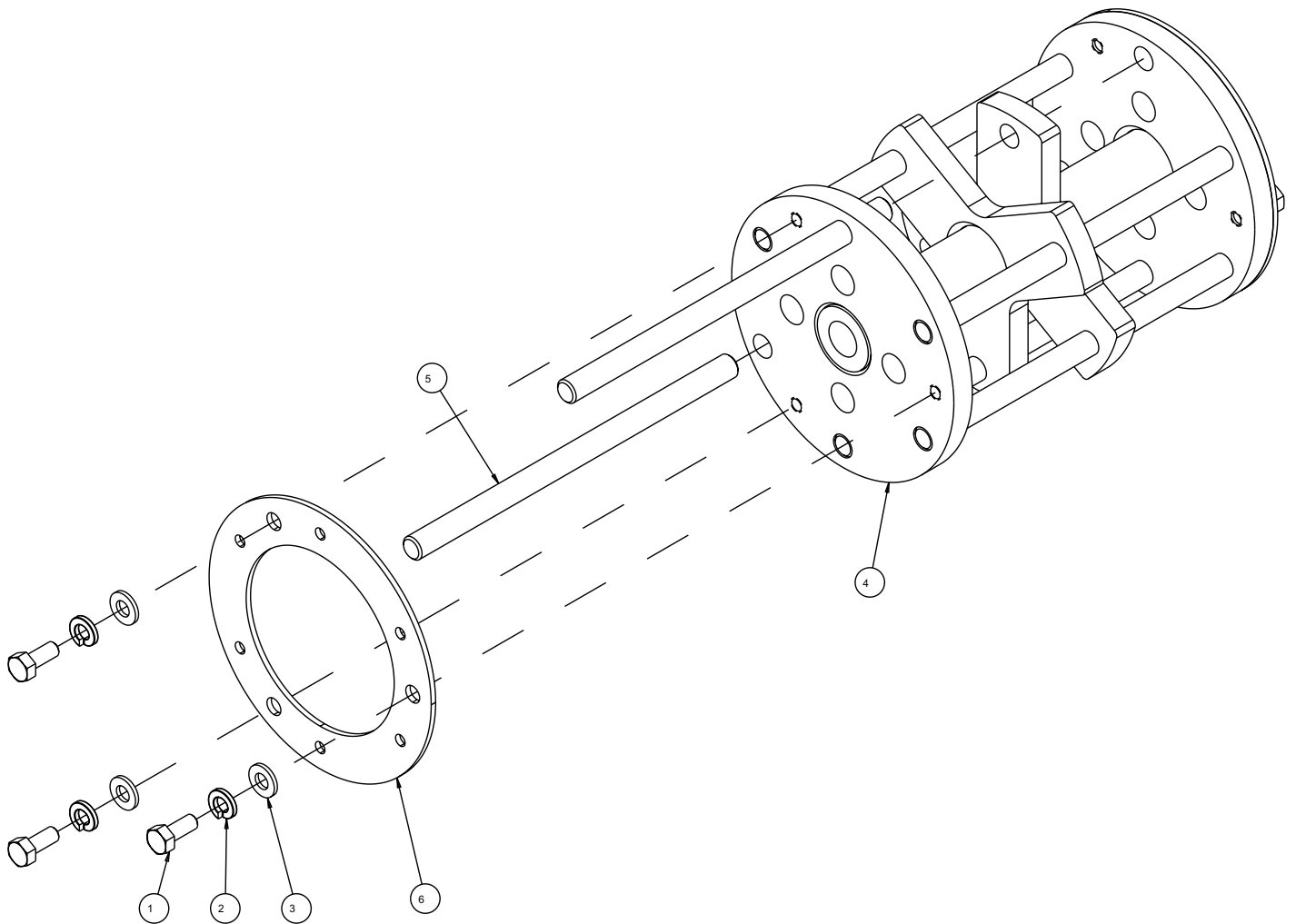
ITEM	DESCRIPTION	PART#	QTY.
1	PIN, THROTTLE CONTROL	151284	1
2	SCREW, RND HD, #8-32 X1/2	152517	1
3	PIN, 1/16 X 3/4 COTTER	152518	1
4	SCREW, SET, CUP PT, 5/16-18 X 1/4	152607	4
5	SCREW, #6-32 X 3/8 PAN HEAD SELF TAPPING	153466	3
6	DEFLECTOR, 8/11/13HP HONDA	155375	1
7	ENGINE, HONDA GX270	155396	1
8	LABEL, CAUTION, HOT SURFACE	155578	1
9	LABEL, WARNING, REFUELING	155580	1
10	LABEL, DANGER, CALIFORNIA	155581	1
11	LABEL, DANGER, LETHAL EXHAUST	155582	1
12	PLUG, HOLE PLASTIC 3/4"	156615	1
13	HOSE, OIL DRAIN, M12	157577-02	1
14	PULLEY, 16J25 X 1.0 BORE	158470	1
15	KEY, SQUARE, 1/4 X 2-1/2	165779	1

FIGURE 16 - ASSY, CRANK WHEEL PART # 155457



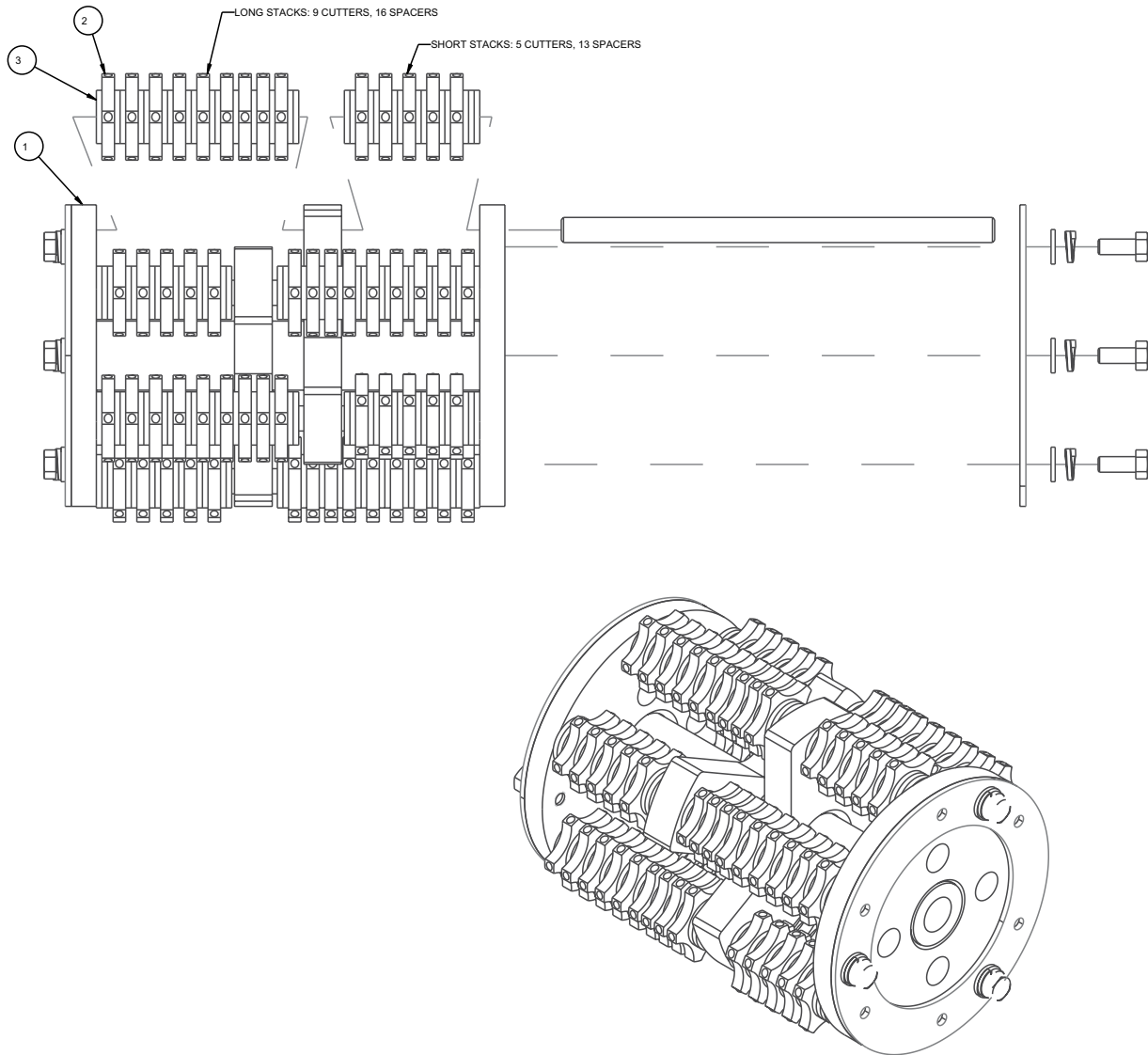
ITEM	DESCRIPTION	PART#	QTY.
1	GRIP, HANDLE, 1.0 ID	150842	1
2	SCREW, SET, CUP PT, 3/8-16X1/2	153710	1
3	CASTING, CRANK WHEEL, 3/4-10-COMP	155156	1
4	SCREW, SHLDR, SOC HD, 1/2X3/4	156177	1
5	HANDLE, CRANK WHEEL	156236	1

FIGURE 17 - ASSY, SCARIFIER DRUM PART # 158460



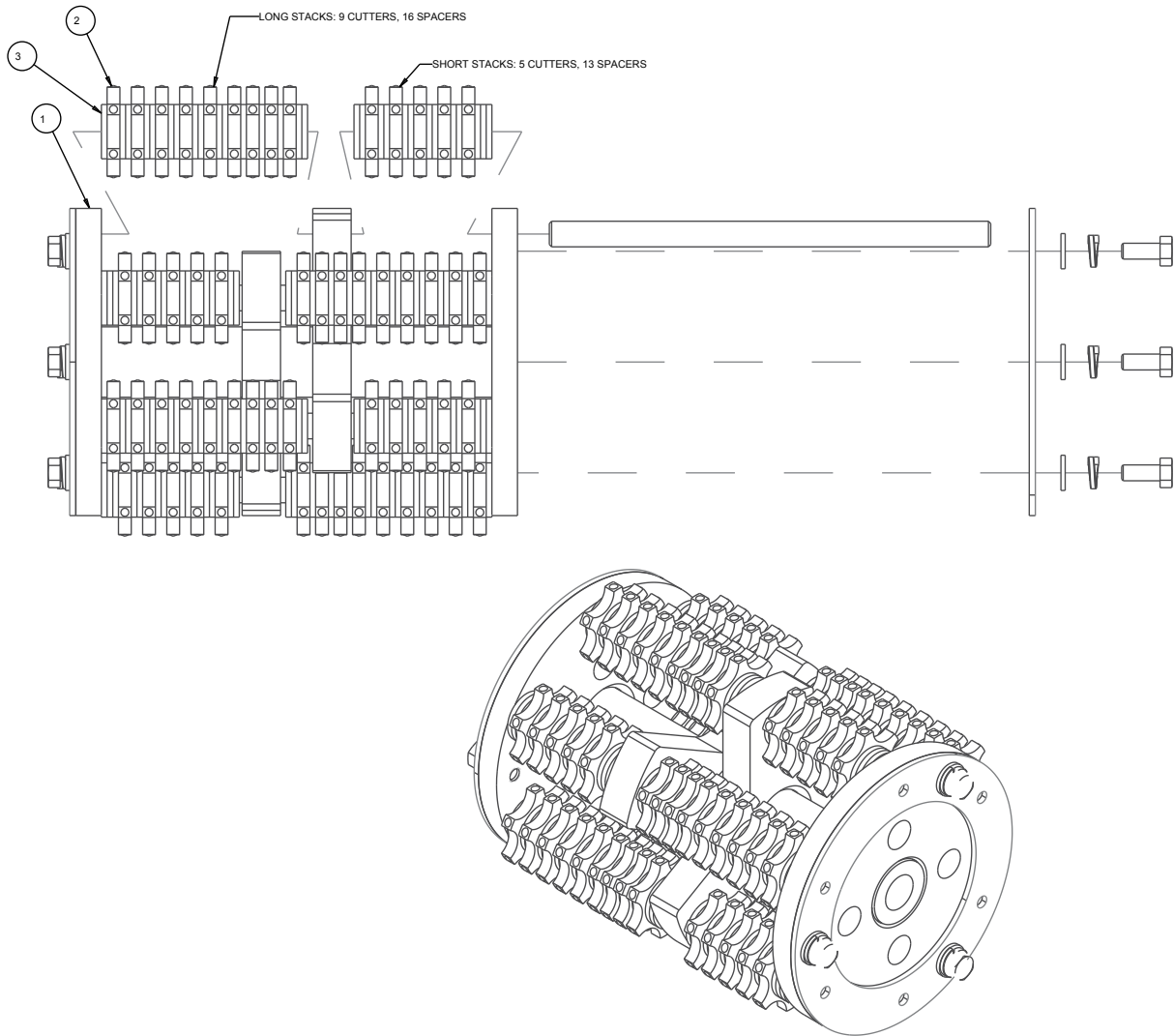
ITEM	DESCRIPTION	PART#	QTY.
1	SCREW, HEX HD, CAP, 5/16-18 X 3/4	151369	6
2	WASHER, LOCK, SPLIT, 5/16	151747	6
3	WASHER, FLAT, SAE, 5/16	151754	6
4	WELDMENT, DRUM	158461	1
5	SHAFT, HARDEN STEEL CUTTER	158463	6
6	RING, DRUM RETAINER	158464	2
7	CARTON, SCARIFIER DRUM	158825	1

FIGURE 18 - ASSY, 8" DRUM, 84 X 5 POINT STAR PART # 158583



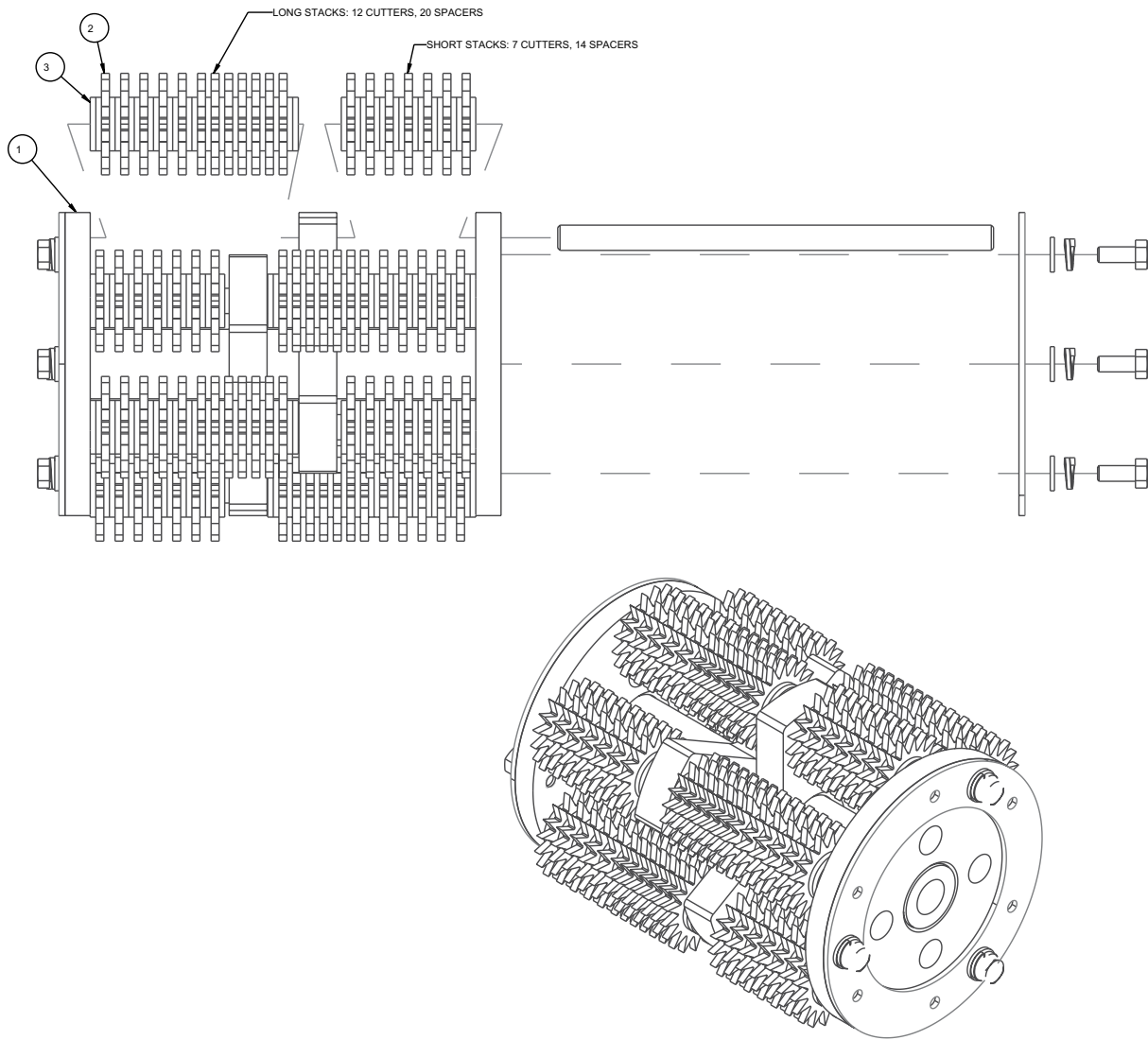
ITEM	DESCRIPTION	PART#	QTY.
1	ASSY, SCARIFIER DRUM	158460	1
2	CUTTER, 5 POINT CARBIDE	158492	84
3	SPACER, 1/2 HARDENED STEEL	158575	174

FIGURE 19 - ASSY, 8" DRUM 84 X 6 POINT STAR PART # 158584



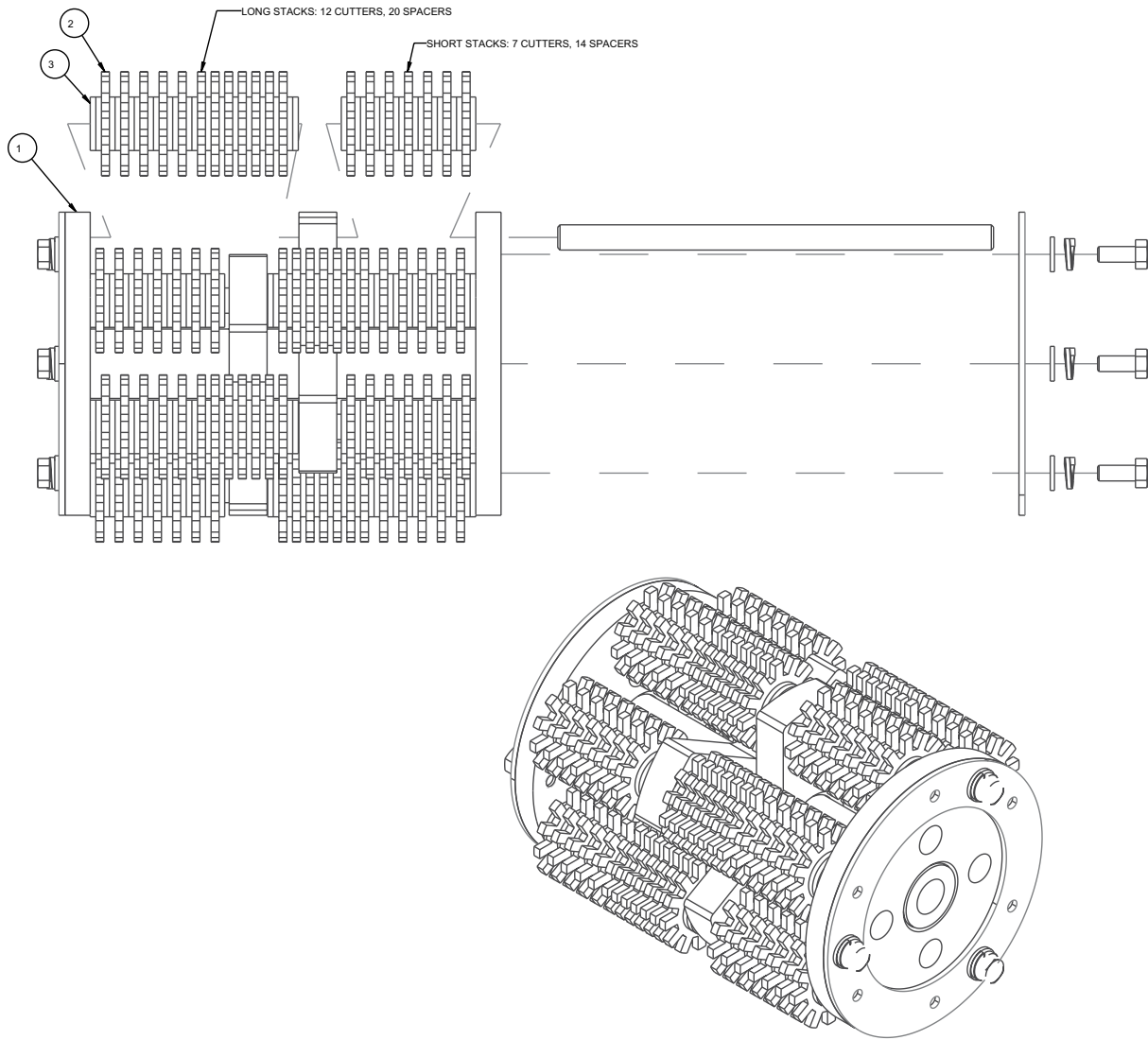
ITEM	DESCRIPTION	PART#	QTY.
1	ASSY, SCARIFIER DRUM	158460	1
2	CUTTER, 6 POINT CARBIDE	158493	84
3	SPACER, 1/2 HARDENED STEEL	158575	174

FIGURE 20 - ASSY, 8" DRUM 114 X 18 SHARP TOOTH CUTTER PART # 158585



ITEM	DESCRIPTION	PART#	QTY.
1	ASSY, SCARIFIER DRUM	158460	1
2	CUTTER, 18 SHARP TOOTH STEEL	158494	114
3	SPACER, 1/2 HARDENED STEEL	158575	204

FIGURE 21 - ASSY, 8" DRUM 114 X 12 BLUNT TOOTH CUTTER PART # 158586



ITEM	DESCRIPTION	PART#	QTY.
1	ASSY, SCARIFIER DRUM	158460	1
2	CUTTER, 12 BLUNT TOOTH STEEL	158495	114
3	SPACER, 1/2 HARDENED STEEL	158575	204