

# REPAIR PARTS LIST

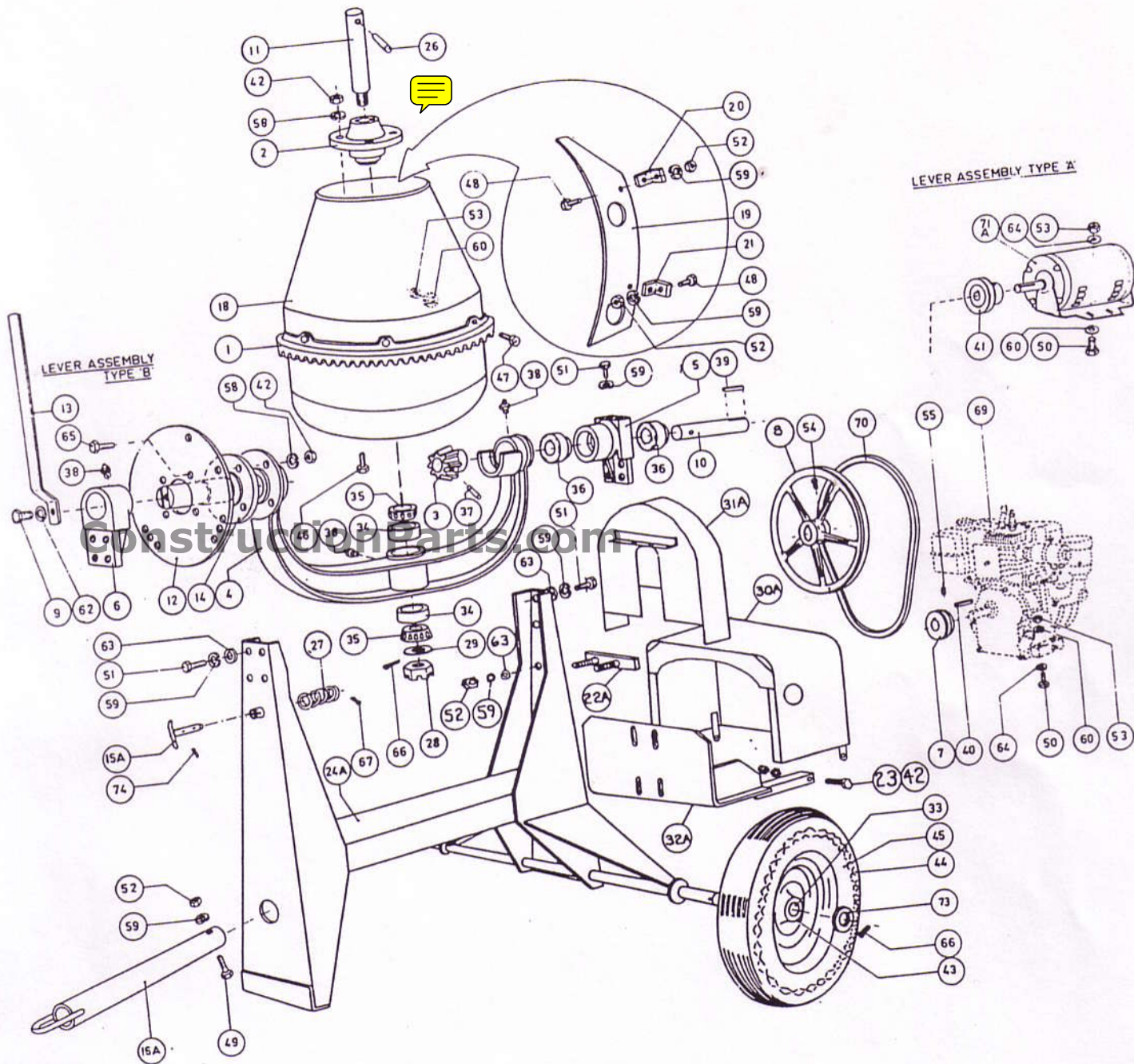
## C3C CONCRETE MIXERS

Effective From Serial #891500 and up

Bulletin No.17.1F1-1  
Supersedes:17.1F1-89-0

ConstructionParts.com

888-634-4289



ConstructionParts.com

888-634-4289



CONSTRUCTION EQUIPMENT  
WINNIPEG CANADA

PRINTED  
IN  
CANADA

200073

Ref. #	Code #	Qty.	Description	
1	411810	1	Bowl Gear Ring	Anneau d'engrenage
2	411820	1	Bowl Hub	Bride de godet
3	411830	1	Pinion	Pignon
4	411840	1	Yoke	Culasse
5	411850	1	Bearing Bracket	Support à roulement
6	411861	1	Yoke Bracket	Support à culasse
	411880	1	BV Pulley 190	Poulie à courroie en BV 190
	120820	1	Bolt 5/8 UNC x 1-1/4	Boulon 5/8 UNC x 1-1/4
10	411890	1	Pinion Shaft	Arbre de pignon
11	411900	1	Bowl Shaft	Arbre de godet
12	411910	1	Tilting Disc	Disque inclinable
13	434645	1	Lever	Levier
14	434644	1	Flange	Bride
15	431515	1	Lock Pin	Gouille d'arret
16A	431510	1	Draw Bar, complete	Barre d'attelage complete
18A	431503	1	Drum complete	Tonne au complete
19	411991	3	Paddle	Palette
20	412000	3	Top Paddle Arm	Bras superieur de la palette
21	412010	3	Bottom Paddle Arm	Bras inferieur de la palette
22A	431792	1	Clamp sub assembly	Serre-fils
23	120470	2	Bolt 1/2 UNC x 2	Boulon, 1/2 UNC x 2
24A	431521	1	Frame complete	Châssis
26	412130	1	Drum Pin	Epinge du tonneau
27	199750	1	Spring	Ressort
28	133150	1	Hex nut, Slotted	Ecrou hex, Rainure
29	175541	1	Plain Washer, 1-3/16 I.D. x 1-1/3 O.D. x .062	Rondelle 1-3/16 I.D. x 1-3/4 O.D. x .062
30A	412077	1	Hood Sub-assembly	Capot
31A	412074	1	Belt Guard Sub-assembly	Protecteur de courroie
32A	412072	1	Engine Base	Base de moteur
33	201720	2	400 x 8-3/4" flanged ball bearing	400 x 8-3/4 roulement a billes
34	112400	2	Taper roller bearing cup #LM67010	Godet de roulement a rouleau conique #LM67010
35	112200	2	Bearing Assembly #LM6704BL	Assemblage de roulement #LM6704BL
36	110280	2	Ball Bearing #1716205-014	Roulement a billes #1716205-014
37	135180	1	Slotted Spring Pin #S/L31-S-250-1500	Epinge a ressort #S/L31-S-250-1500
38	110680	3	Grease Fitting 1/8 NPT straight	Raccord de graissage droit 1/8 NPT
39	431000	1	Key	Cléf
42	129250	8	Hex Nut, 1/2 UNC	Ecrou hex. 1/2 UNC
43	201630	2	Wheel disc 400 x 8	Roue de disque 400 x 8
44	201640	2	Tire 400 x 8	Pneu 400 x 8
45	201650	2	Tube 400 x 8	Tube 400 x 8
46	120450	4	Hex Hd. Bolt, 1/2 UNC x 1-1/2	Boulon hex. 1/2 UNC x 1-1/2
47	119790	6	Hex. Hd. Bolt, 5/16 UNC x 1-1/4	Boulon hex. 5/16 UNC x 1-1/4
48	120010	14	Hex. Hd. Bolt, 3/8 UNC x 1	Boulon hex. 3/8 UNC x 1
49	120110	1	Hex. Hd. Bolt, 3/8 UNC x 3-1/2	Boulon hex. 3/8 UNC x 3-1/2
51	119990	10	Hex. Hd Bolt, 3/8 UNC x 3/4	Boulon hex. 3/8 UNC x 3/4
52	128230	19	Hex. Nut, 3/8 UNC	Ecrou hex. 3/8 UNC
53	128220	6	Hex. Nut, 5/16 UNC	Ecrou hex. 5/16 UNC
54	158200	1	Sq. Head Set Screw, Cup point, 5/16 UNC x 1	Vis de pression a tete carree pointe creuse 5/16 UNC x 1
58	176560	8	Spring Washer, 1/2	Rondelle de ressort, 1/2
59	176540	29	Spring Washer, 3/8	Rondelle de ressort, 3/8
60	176530	6	Spring Washer, 5/16	Rondelle de ressort, 5/16
62	176570	1	Spring Washer, 5/8	Rondelle de ressort, 5/8
63	174450	14	Plain Washer 7/16	Rondelle 7/16
65	120480	4	Bolt 1/2 UNC x 2-1/4	Boulon 1/2 UNC x 2-1/4
66	135990	3	Cotter Pin 3/16 x 1-1/2	Goupille 3/16 x 1-1/2
67	135790	1	Cotter Pin 1/8 x 1	Goupille 1/8 x 1
73	175380	2	Washer 7/8 x 1-5/8	Rondelle 7/8 x 1-5/8
74	135120	1	Spring Washer	Rondelle de ressort

**DRIVE KITS - MODEL AND CODE NO.**  
**TROUSSE DE MOTORISATION - MODÈLE ET NUMÉRO DE CODE.**

Ref.#	Code#	C3-CG 609825	C3-CGH 609857	C3-CE 609835	Description
7	411871	1	1		Pulley BV 2 x 3/4 Bore
41	239190			1	Pulley BV 3 x 5/8 Bore
40	430940	1	1		Key 3/16 x 1-3/4
	432050			1	Key 3/16 x 1-5/8
70	239660	1	1	1	5L-740 V Belt
55	148310	1	1		Set Screw 5/16 UNC x 1/2
	148300			1	Set Screw 5/16 UNC x 3/8
50	119800	4	4		Bolt 5/16 UNC x 1-1/2
	119770			4	Bolt 5/16 UNC x 7/8
53	128220	4	4	4	Nut 5/16 UNC
60	176530	4	4	4	Spring Washer 5/16
64	174440	4	4	6	Plain Washer 5/16 I.D.
69	201911	1			Engine Briggs & Stratton 4hp.
	202004		1		Engine Honda 5hp.
71A	464954			1	Motor Switch Assy 1/2hp.
					Moteur Briggs & Stratton 4cv.
					Moteur Honda 5cv.
					Assemblage de Moteur et Interrupteur 1/2cv.

IMPORTANT: When ordering parts specify the model and type, code number and part description.  
 IMPORTANT: Pour commander, indiquer le numéro de modèle et le type ainsi que le numéro de code des pièces et leur description.


  
**CROWN**
  
 CONSTRUCTION EQUIPMENT
   
 WINNIPEG CANADA