

PARTS MANUAL



MODELS

PS403016

PS403020

PS403026

PS403030

PAVEMENT SAW

(DEUTZ F2L2011 DIESEL ENGINE)

Revision #1 (11/03/09)

THIS MANUAL MUST ACCOMPANY THE EQUIPMENT AT ALL TIMES.

P/N 37748

SUGGESTED SPARE PARTS

PS4030 MULTQUIP SAW

1 TO 3 UNITS WITH DEUTZ TURBO DIESEL ENGINE

Qty.	P/N	Description
1	37094	SWITCH, TOGGLE F-N-R
1	37198	SWITCH, EMERGENCY STOP
1	406021	INDICATOR, ENGINE
1	37243	SWITCH, ROLLER ARM
1	37203	SWITCH, ROLLER PLUNGER
2	406000	SWITCH, ROCKER
2	37131	FRONT WHEEL
2	37095	REAR WHEEL
1	29509	CAP, FUEL TANK
2	560017	GRIPS, HANDLEBAR
1	H9406	BULB, GE H9406
1	15503	KNOB, COMFORT
1	37527	SPRING, EXTENSION DEPTH INDICATOR
1	37128	BALL VALVE, FUEL
1	37311	BALL VALVE, WATER SYSTEM
2	570005	CLAMP, MUFFLER
2	37048	SPRING, WHEEL DRIVE
1	37162	SPRING, HYDRAULIC SYSTEM
2	15538	CLAMP, WORM HOSE
1	574003	ROPE, POINTER
1	37212	THROTTLE ASSEMBLY

ENGINE PARTS FOR DEUTZ TURBO DIESEL ENGINE

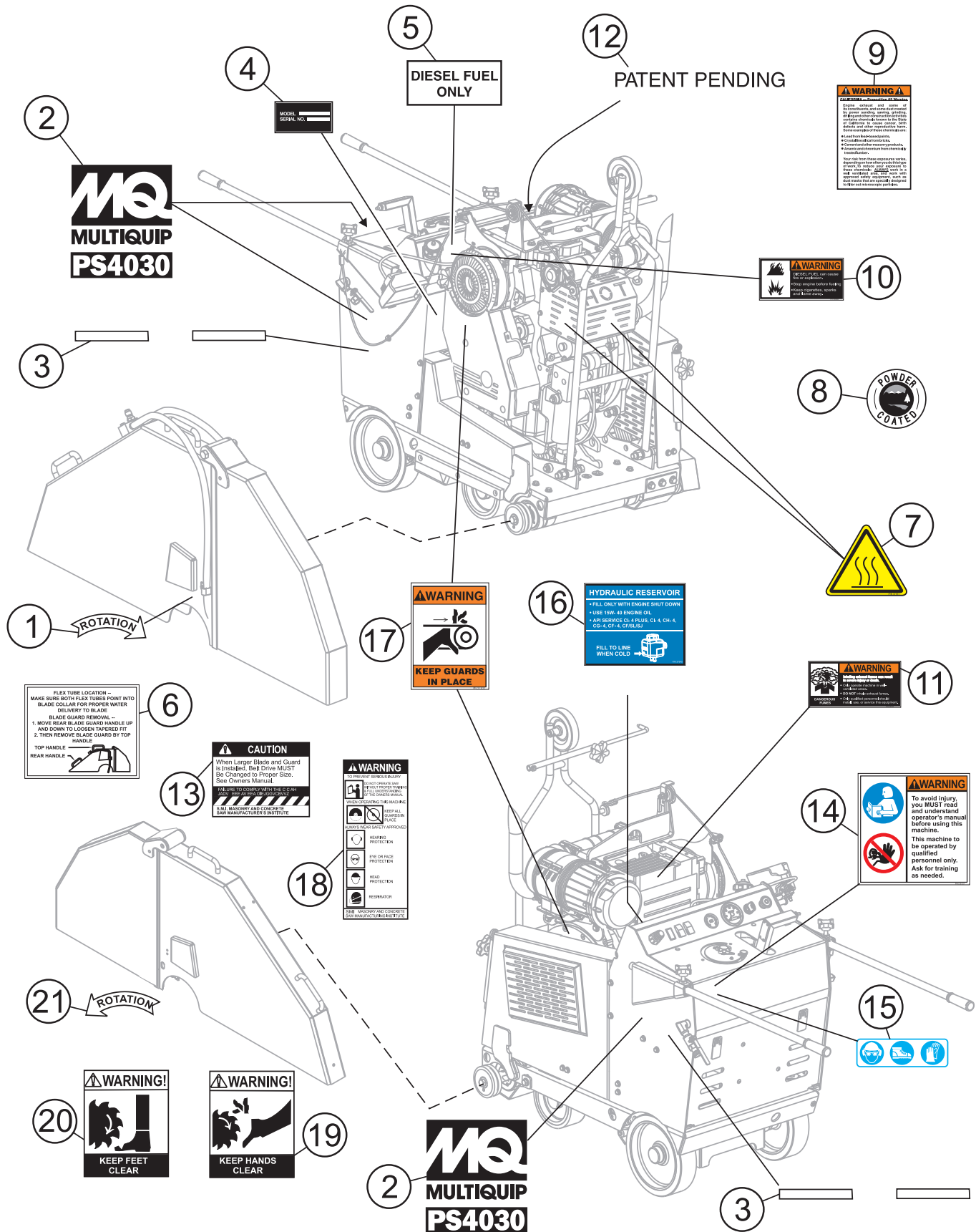
2	1174416	OIL FILTER, DEUTZ
2	1174696	FUEL FILTER, DEUTZ
2	P772579	PRIMARY AIR FILTER ELEMENT
2	P775300	SAFETY AIR FILTER, DEUTZ
2	21004-003	FAN BELT, AX-35
2	37577	DRIVE BELT, 6G 3VX-500 OPTIBELT
1	406017	IGNITION SWITCH, W/KEY
2	406017-1	KEY, IGNITION



Part numbers on this Suggested Spare Parts List may supercede/replace the P/N's shown in the test pages of this manual.

NAMEPLATES AND DECALS

NAMEPLATES AND DECALS

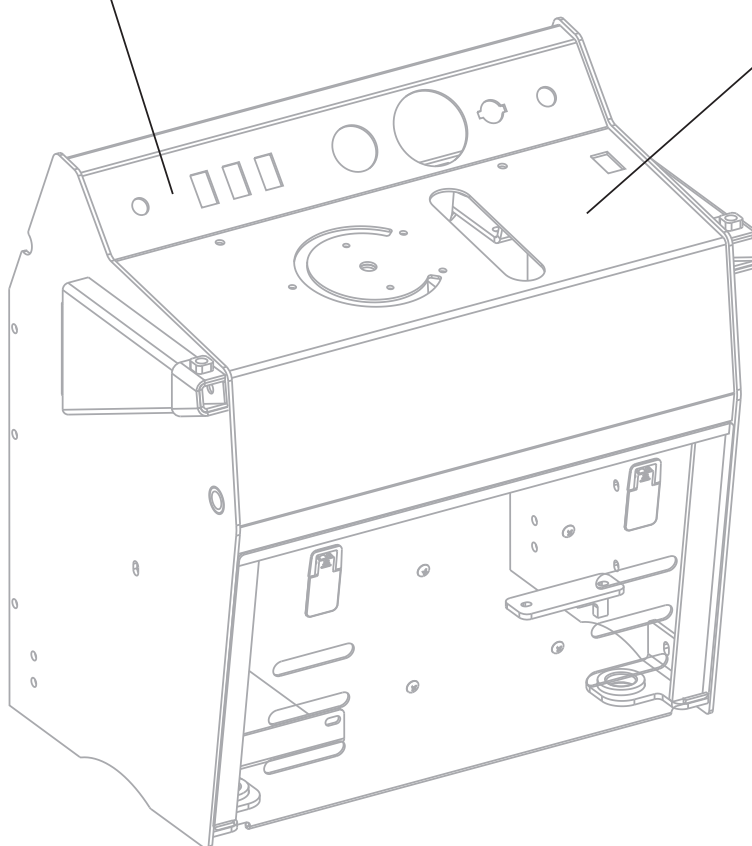
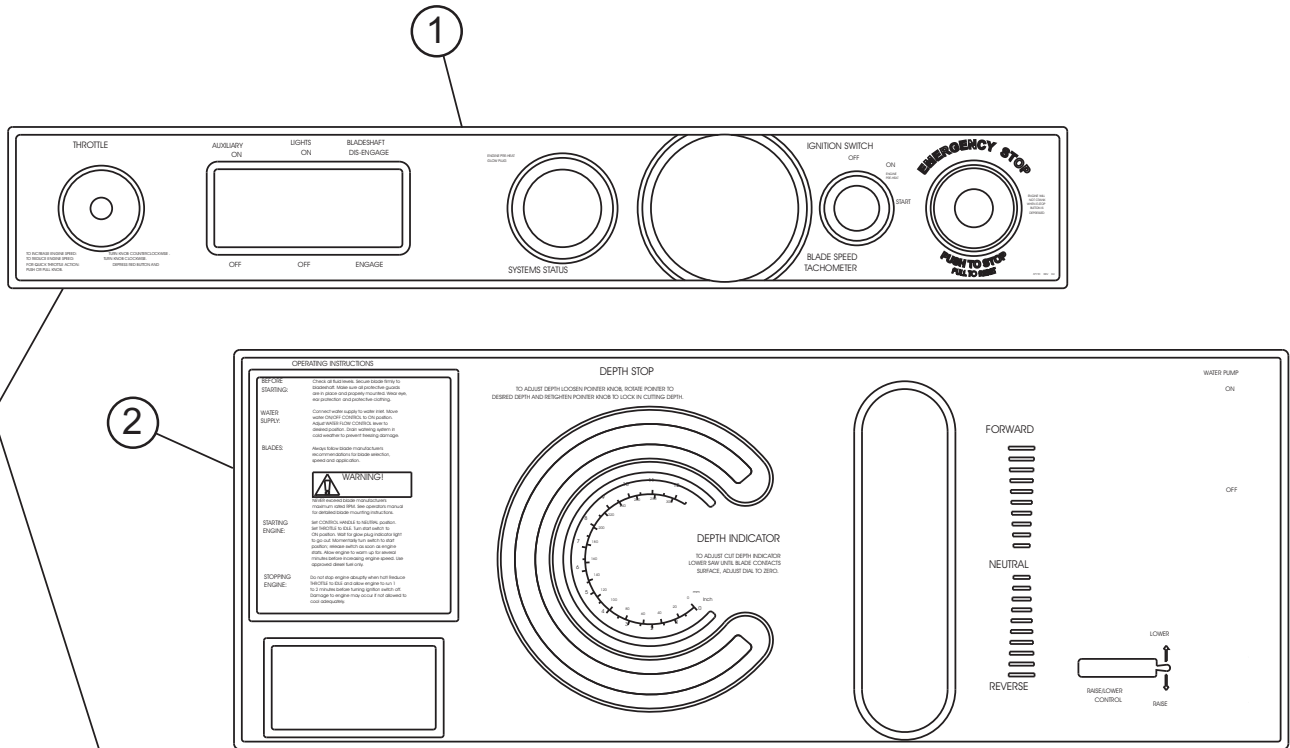


NAMEPLATES AND DECALS

NAMEPLATES AND DECALS

<u>NO.</u>	<u>PART NO.</u>	<u>PART NAME</u>	<u>QTY.</u>	<u>REMARKS</u>
1	25491	DECAL, BLADE ROTATION CW	1	SAFETY ITEM
2	37742	DECAL, MULTQUIP PS4030	3	
3	37516	DECAL, REFLECTIVE TAPE 1" YELLOW	4.375	SAFETY ITEM
4		SERIAL TAG	1	CONTACT PARTS DEPT.
5	M600002	DECAL, DIESEL FUEL ONLY	1	
6	606004	DECAL, GUARD REMOVAL	2	SAFETY ITEM
7	37161	DECAL, HOT ISO HI-TEMPERATURE	2	SAFETY ITEM
8	13118	DECAL, POWDER COATED	1	
9	20525	DECAL, WARNING "PROP 65" 3.25 X 4.25	1	SAFETY ITEM
10	36092	DECAL, WARNING DIESEL FUEL 3.5 X 1.75	1	SAFETY ITEM
11	36090	DECAL, WARNING VENTILATION 2 X 4	1	SAFETY ITEM
12	11912	DECAL, PATENT PENDING	1	
13	23330-001	DECAL, CAUTION BELT DRIVE	2	SAFETY ITEM
14	35137	DECAL, WARNING READ MANUAL	1	SAFETY ITEM
15	36099	DECAL, PROTECTIVE CLOTHING ISO BLUE	1	SAFETY ITEM
16	37540	DECAL, HYDRAULIC RESERVOIR	1	
17	21302	DECAL, WARNING KEEP GUARDS IN PLACE	2	SAFETY ITEM
18	22122-001	DECAL, WARNING RX-W	3	SAFETY ITEM
19	25249-001	DECAL, WARNING KEEP HANDS CLEAR	2	SAFETY ITEM
20	25250-001	DECAL, WARNING KEEP FEET CLEAR	2	SAFETY ITEM
21	25678	DECAL, BLADE ROTATION CCW	1	SAFETY ITEM

CONTROL PANEL DECALS



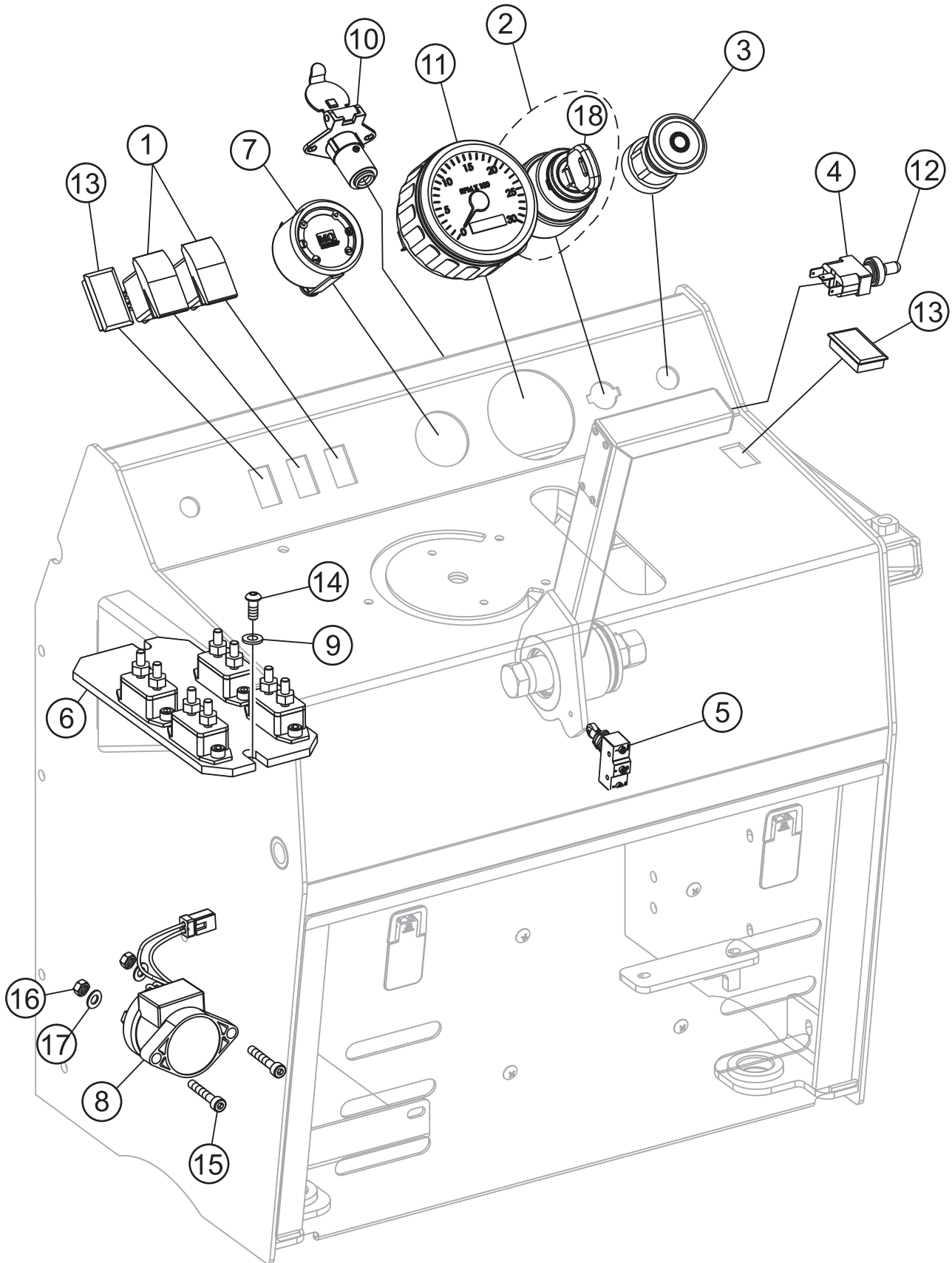
CONTROL PANEL DECALS

CONTROL PANEL DECALS

<u>NO.</u>	<u>PART NO.</u>	<u>PART NAME</u>	<u>QTY.</u>	<u>REMARKS</u>
1	37731	DECAL, 4030 INSTRUMENT PANEL	1	
2	37730	DECAL, 4030 CONSOLE OPERATION	1	

ELECTRICAL CONTROL ASSY.

ELECTRICAL CONTROL ASSY.



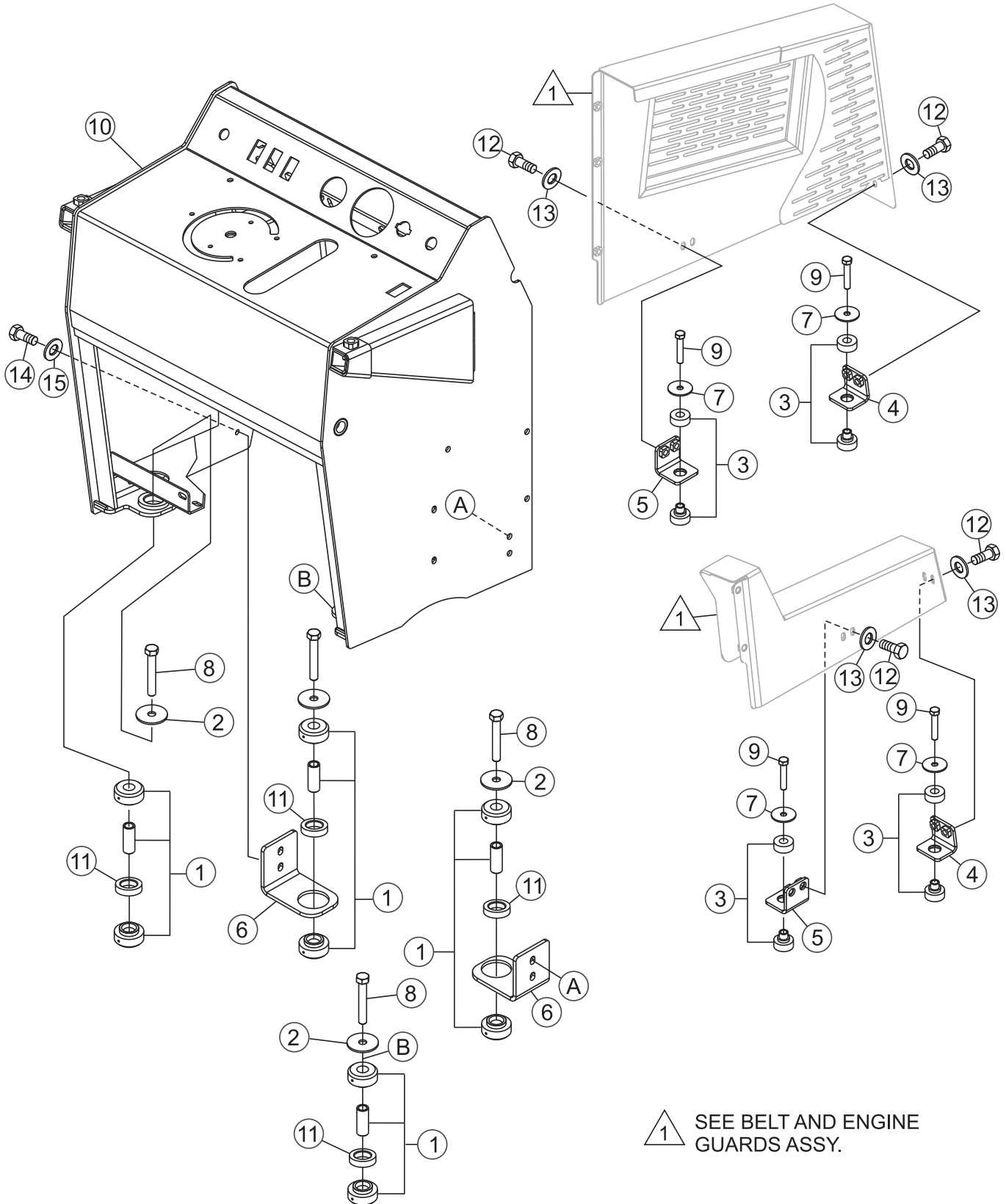
ELECTRICAL CONTROL ASSY.

ELECTRICAL CONTROL ASSY.

<u>NO.</u>	<u>PART NO.</u>	<u>PART NAME</u>	<u>QTY.</u>	<u>REMARKS</u>
1	406000	SWITCH, ROCKER CH# M-58031-01	2	
2	406017	IGNITION SWITCH, WITH KEYS	1	INCLUDES ITEMS W/*
3	37198	EMERGENCY STOP SWITCH	1	SAFETY ITEM
4	37094	SWITCH, TOGGLE SPDT MOMENTARY ON-ON	1	
5	37203	SWITCH, SNAP ACTION ROLLER PLUNGER	1	
6	37620	HARNESS, RELAYS AND CIRCUIT BREAKERS	1	
7	406021	INDICATOR, ENGINE	1	
8	37378	SOLENOID, LIFT PUMP	1	
9	933240	WASHER, FLAT SAE 1/4 GRD 9 YZ	2	
10	405000	CONNECTOR, 4-WAY SOCKET	1	
11	37368	TACHOMETER, ELECTRIC 0-3000 RPM	1	
12	8381	BOOT, TOGGLE SWITCH	1	
13	406020	BLANK, ROCKER SWITCH	2	
14	973752	SCREW, BHHC 1/4 - 20 X 5/8 SS	2	
15	37325	SCREW, SHC M5 - 0.8 X 30MM	2	
16	37324	NUT, NYLOC M5 - 0.8	2	
17	28922-058	WASHER, M5	2	
18*	406017-1	KEY, IGNITION	1	

CONSOLE MOUNTS ASSY.

CONSOLE MOUNTS ASSY.



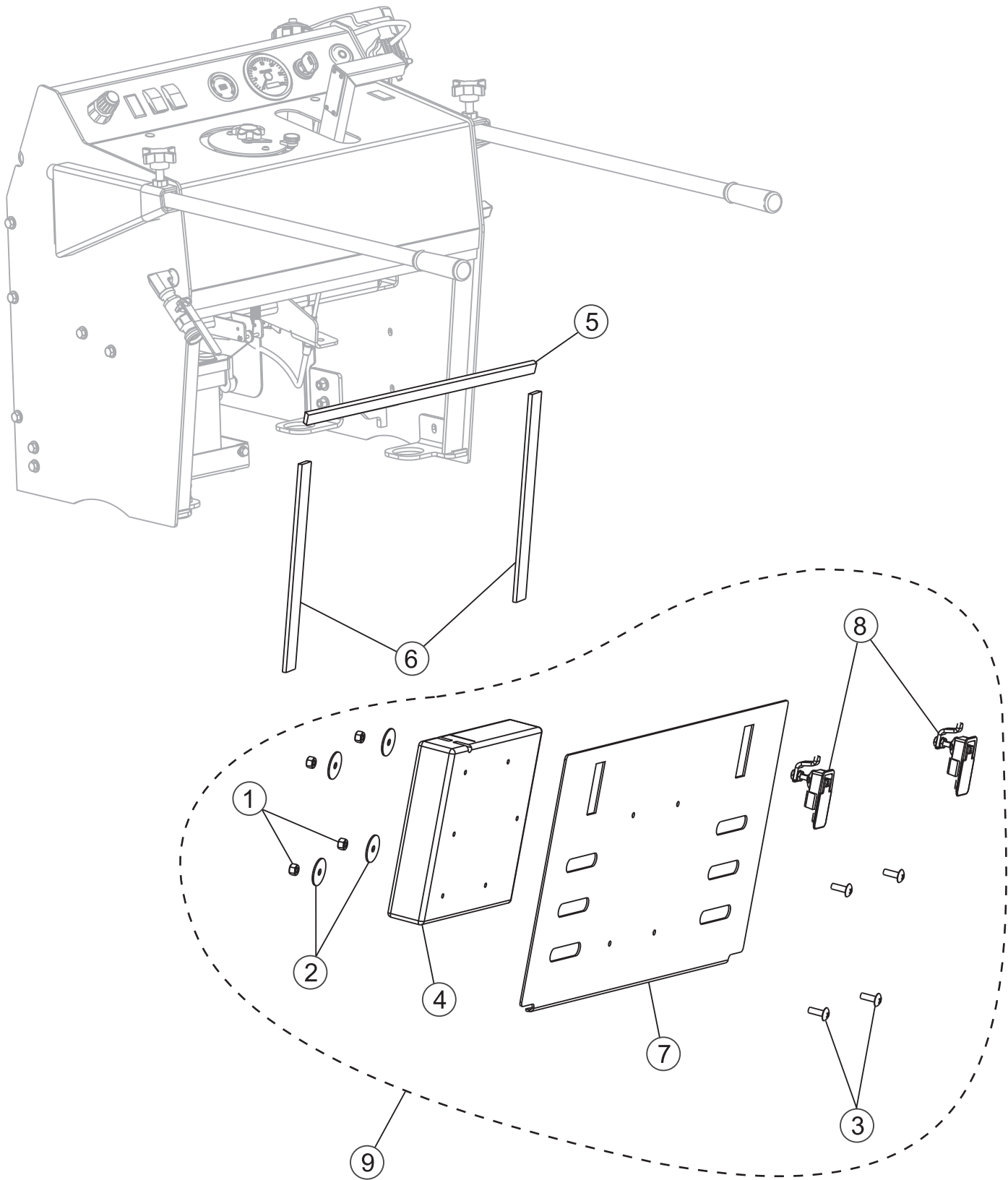
CONSOLE MOUNTS ASSY.

CONSOLE MOUNTS ASSY.

<u>NO.</u>	<u>PART NO.</u>	<u>PART NAME</u>	<u>QTY.</u>	<u>REMARKS</u>
1	20742	ISOLATOR, RB2 RING/BUSHING	4	
2	20743	WASHER, ISO SNUB KROFUND DYN 148099-18	4	
3	575001	RUBBER ISOLATOR, TPC# 60166-1	4	
4	37230	MOUNT, ISOLATOR FRONT	2	
5	37232	MOUNT, ISOLATOR SIDE	2	
6	37608-753	MOUNT, CONSOLE ISOLATOR REAR	2	
7	12832	WASHER, SNUBBING	4	
8	06503-026	SCREW, HHC 1/2 - 13 X 3-1/4	4	
9	0300 A	SCREW, HHC 5/16 - 18 X 2	4	
10	37579-753	CONSOLE W/A	1	
11	37193	INSERT, ISOLATOR MOUNT	4	
12	0205	SCREW, HHC 3/8 - 16 X 1	8	
13	933242	WASHER, FLAT SAE 3/8 GRD 9 YZ	8	
14	TBD	SCREW	4	
15	TBD	WASHER	4	

REAR CONSOLE ACCESS PANEL ASSY.

REAR CONSOLE ACCESS PANEL ASSY.



REAR CONSOLE ACCESS PANEL ASSY.

REAR CONSOLE ACCESS PANEL ASSY.

<u>NO.</u>	<u>PART NO.</u>	<u>PART NAME</u>	<u>QTY.</u>	<u>REMARKS</u>
1*	10024	NUT, NYLOC 1/4 X 20	4	
2*	10930	WASHER, FENDER 1/4 X 1-1/4	4	
3*	12287	SCREW, THP 1/4 - 20 X 3/4 SS	4	
4*	29057	DOCUMENT BOX	1	
5	37584	STRIP, BACKING PLATE SAW CONSOLE	1	
6	37220	STRIP, VERTICAL SAW CONSOLE	2	
7*	37617-753	PANEL, REAR SAW ACCESS	1	
8*	560020	LATCH, REAR SAW ACCESS PANEL	2	
9	37616	PANEL ASSEMBLY, REAR SAW ACCESS	1	INCLUDES ITEMS W/*

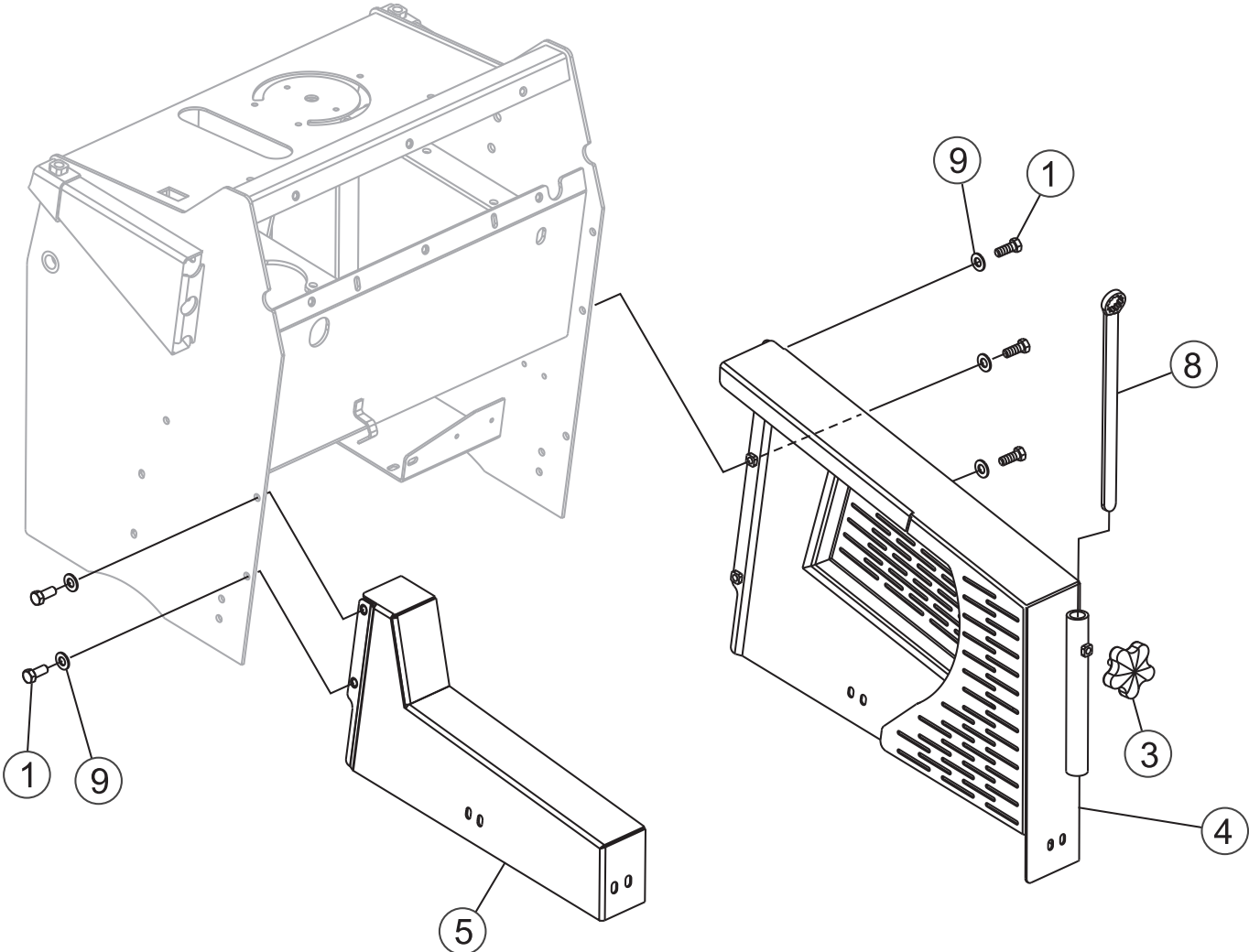
LIGHT CONNECTOR/DASH ACCESS ASSY.

LIGHT CONNECTOR/DASH ACCESS ASSY.

<u>NO.</u>	<u>PART NO.</u>	<u>PART NAME</u>	<u>QTY.</u>	<u>REMARKS</u>
1	0655	SCREW, HHC 5/16 - 18 X 3/4	6	
2*	12171	SEAL, WEATHERPACK 16-18 GA, GREEN	2	
3*	12176	CONNECTOR, WEATHERPACK 2 PIN MALE	1	
4*	12179	TERMINAL, WEATHERPACK MALE 14-16 GA	2	
5	13287	NUT, NYLOC 8-32	2	
6	37333	HARNESS, LIGHT KIT	1	INCLUDES ITEMS W/*
7	37614-753	COVER W/A, CONSOLE DASH ACCESS	1	
8	923114	SCREW, SHC 8-32 X 1/2	2	
9	933241	WASHER, FLAT SAE 5/16 GRD 9YZ	6	
10*	405000	CONNECTOR, 4-WAY SOCKET CHROME	1	
11+#	0161 C	WASHER, LOCK 5/16 MED	2	
12+#	0161 D	NUT, HEX 5/16 - 18	2	
13+#	0300 A	SCREW, HHC 5/16 - 18 X 2	1	
14+	2532	LIGHT ASSEMBLY	1	INCLUDES ITEMS W/#
15+	15503	KNOB, COMFORT GRIP STAR	1	
16+	120206	LIGHT BAR	1	
17+	405001	CONNECTOR PLUG, 4-PIN FEMALE	1	
18+	405002	CORD, LIGHT EXTENDABLE	1	
19+	H9406	BULB, GE H9406	1	
20	M18004	LIGHT KIT, SAW	1	INCLUDES ITEMS W/+
21+#	11963	BOLT, CARRIAGE 5/16 - 18 X 1	1	

BELT AND ENGINE GUARDS ASSY.

BELT AND ENGINE GUARDS ASSY.



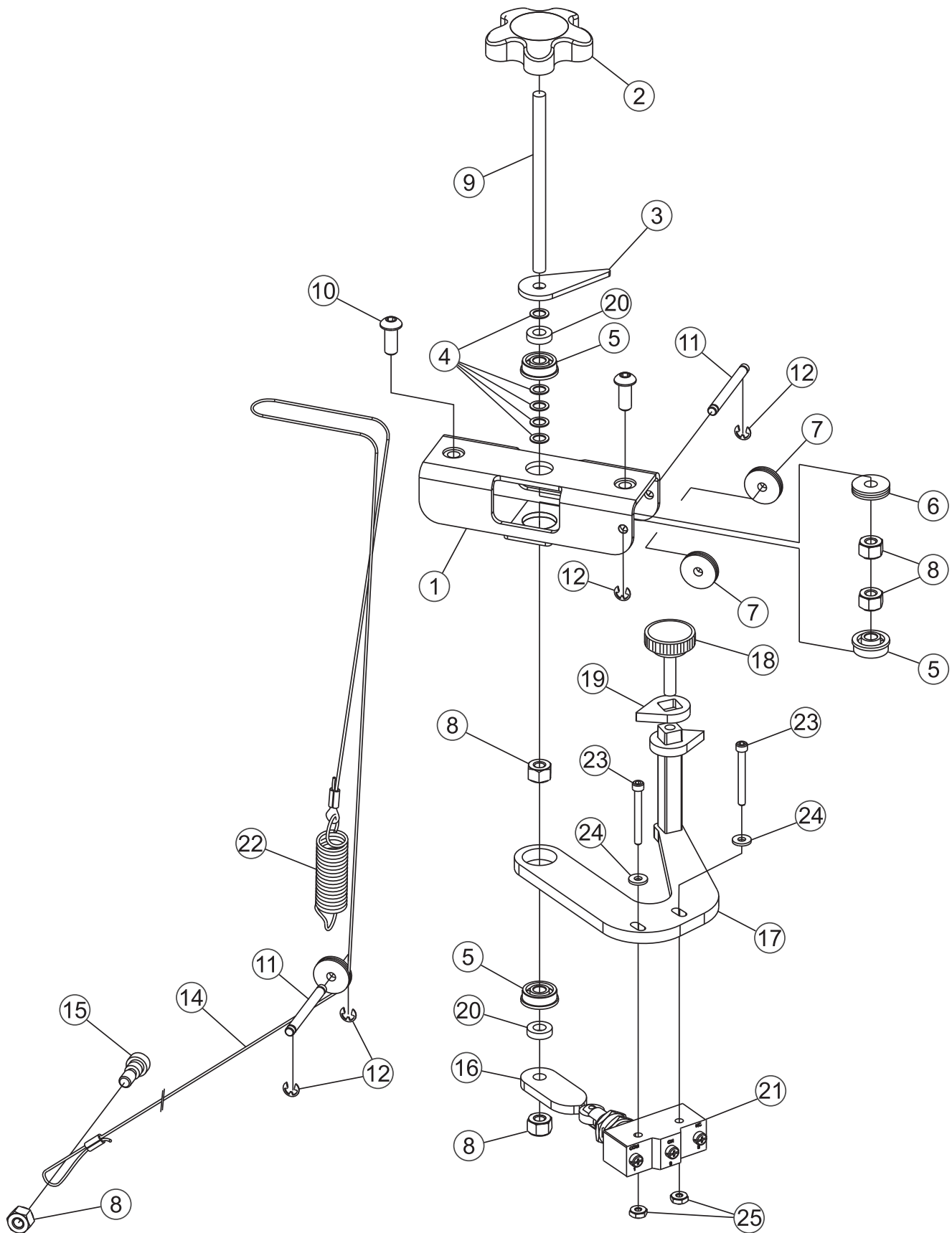
BELT AND ENGINE GUARDS ASSY.

BELT AND ENGINE GUARDS ASSY.

<u>NO.</u>	<u>PART NO.</u>	<u>PART NAME</u>	<u>QTY.</u>	<u>REMARKS</u>
1	0166	SCREW, HHC 3/8 - 16 X 7/8	5	
3	15503	KNOB, COMFORT	1	
4	37606-753	GUARD, BELT DRIVE	1	SAFETY ITEM
5	37610-753	GUARD, ENGINE	1	SAFETY ITEM
8	584011	WRENCH, 15/16 BLADE CLOSED END	1	
9	933242	WASHER, FLAT SAE 3/8 GRD 9 YZ	5	

DEPTH INDICATOR/STOP SWITCH ASSY.

DEPTH INDICATOR/STOP SWITCH ASSY.

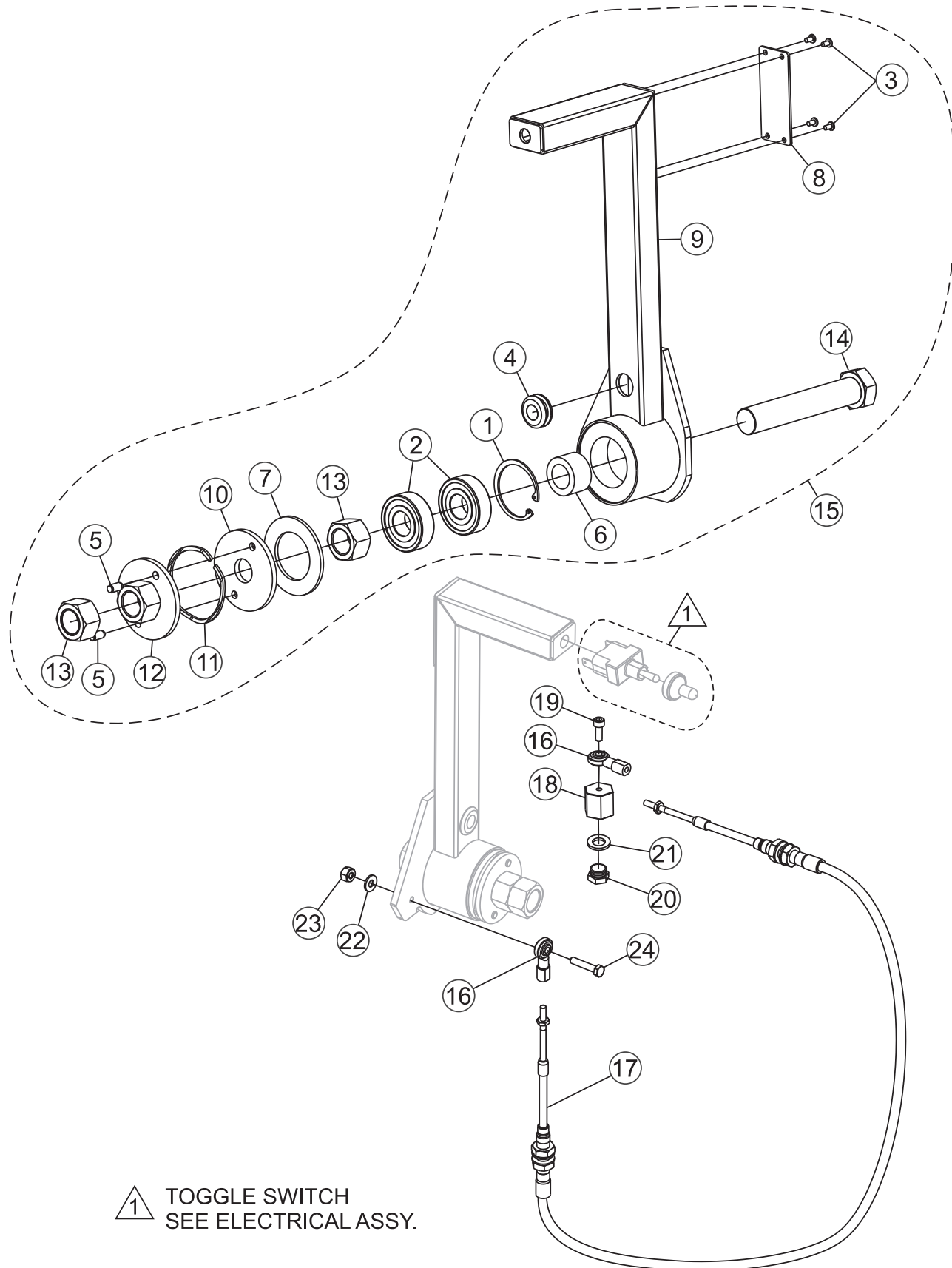


DEPTH INDICATOR/STOP SWITCH ASSY.

DEPTH INDICATOR/STOP SWITCH ASSY.

<u>NO.</u>	<u>PART NO.</u>	<u>PART NAME</u>	<u>QTY.</u>	<u>REMARKS</u>
1	37598	BASE, 4030 SAW DEPTH INDICATOR	1	
2	560025	KNOB, SAW DEPTH INDICATOR	1	
3	110031	POINTER, CONCRETE SAW DEPTH	1	
4	583059	SHIM, 0.375 OD X 0.25 ID X .020 THK	5	
5	460019	FLANGE, BEARING 0.25 ID X 0.75 OD	3	
6	37155	PULLEY, CABLE .75 OD	1	
7	37240	PULLEY, CABLE .75 OD	2	
8	10024	NUT, NYLOC 1/4 - 20	5	
9	37622	STUD, 1/4 - 20 X 4" BLACK OXIDE	1	
10	973752	SCREW, BHSC 1/4 - 20 X 5/8 SS	2	
11	37241	SHAFT, DEPTH INDICATOR	2	
12	37332	RING, 3/16 E-STYLE EXTERNAL	4	
14	37922	CABLE ASSY, DEPTH STOP	1	
15	37401	SCREW, SH SHLDR 1/2-20, 5/16 OD X 1/4 L	1	
16	37736	CAM, DEPTH STOP POINTER	1	
17	37600	ARM, W/A, 4030 DEPTH STOP POINTER	1	
18	21468	KNOB, PLASTIC 1/4 - 20 X 1 STUD	1	
19	37603	POINTER, DEPTH STOP	1	
20	37605	SPACER, DEPTH INDICATOR POINTER	2	
21	37203	SWITCH, SNAP ACTION ROLLER PLUNGER	1	
22	37527	SPRING, EXT. .625 OD X 2.5L X .053 M WIRE	1	
23	37766	SCREW, SHC 6-32 X 1.25	2	
24	1450	WASHER, FLATSAE #6	2	
25	11152	NUT, NYLOC 6-32	2	

F-N-R ASSY.



△ TOGGLE SWITCH
SEE ELECTRICAL ASSY.

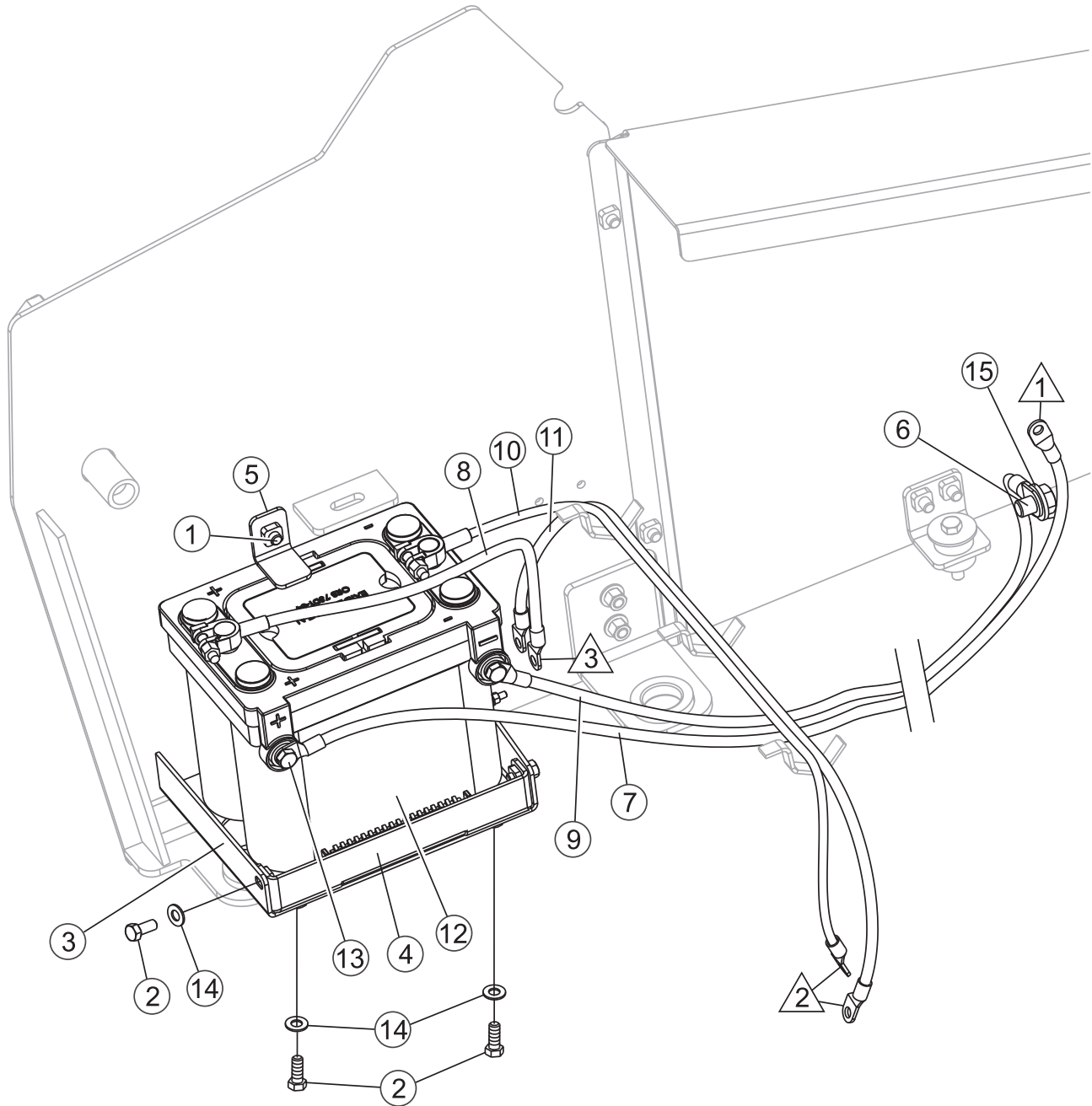
F-N-R ASSY.

<u>NO.</u>	<u>PART NO.</u>	<u>PART NAME</u>	<u>QTY.</u>	<u>REMARKS</u>
1*	576003	SNAP RING - HO-185	1	
2*	460021	BEARING, ROLLER # 6204 2RS	2	
3*	20842	SCREW, PAN HD 6-32 X 1/4	4	
4*	579072	GROMMET, 1/2" ID	1	
5*	926917	PIN, DOWEL 1/4 X 1/2	2	
6*	37015	SPACER, FNR PIVOT	1	
7*	37014	DISC, FNR FRICTION BRAKE	1	
8*	37013	PLATE, FNR ACCESS COVER	1	
9*	37022	WELDMENT, FNR HANDLE	1	
10*	37016	PLATE, FNR BRAKE	1	
11*	37091	SPRING, SMALLEY WAVO RW-0250	1	
12*	37024	WELDMENT, FNR SPRING PLATE	1	
13*	37025	NUT, HEX FINISH M20-2.5	2	
14*	37026	SCREW, HHC M20 X 2.5 X 120	1	
15	37021	FNR ASSEMBLY	1	INCLUDES ITEMS W/*
16	2153	ROD END	2	
17	37136	CABLE, PUSH PULL 56"	1	
18	37299	STANDOFF, PUMP CONTROL	1	
19	07469-004	SCREW, SHC 10-32 X 1/2	1	
20	4683	SCREW, HHC 5/16 - 18 X 5/8	1	
21	933241	WASHER, FLAT SAE 5/16 GRD 9 YZ	1	
22	2203	WASHER, FLAT #10	1	
23	10019	NUT, NYLOC 10-32	1	
24	3513	SCREW, HHC 10 - 32 X 1	1	

FUEL ASSY.

<u>NO.</u>	<u>PART NO.</u>	<u>PART NAME</u>	<u>QTY.</u>	<u>REMARKS</u>
1	0205	SCREW, HHC 3/8 - 16 X 1.0	4	
2	19473	CLAMP, WORM HOSE 2"	8	
3	19633	BUSHING, RUBBER FUEL DAPCO	4	
4	35022	CLAMP, LOOP CUSHIONED #8	1	
5	29338	PRIMER BULB 5/16 HOSE BARB	1	
6	29509	CAP, FUEL TANK	1	
7	37128	BALL VALVE, 90 W/SCREEN #5	1	
8	37621	FUEL TANK	1	
9	37594-753	MOUNT, FUEL TANK 4030	1	
10	304010	FILTER, FUEL PRIMARY	1	
11	368006	FITTING, FUEL 90 DEG	3	
12	933242	WASHER, FLAT SAE 3/8 GRD 9 YZ	6	
13	60058	HOSE, 1/4 X 3/8 PVC YELLOW	1.2 SOLD BY FOOT
14	0166	SCREW, HHC 3/8 - 16 X 7/8	2	
15	37224	CLIP, FUEL TANK RETAINER	2	
16	0202	SCREW, HHC 5/16 - 18 X 1.0 ZINC	2	
17	933241	WASHER, FLAT SAE 5/16 GRD 9 YZ	2	
18	35022	CLAMP, LOOM	1	

BATTERY ASSY.



△ 1 TO ENGINE STARTER MOTOR

△ 2 TO LIFT PUMP.
SEE HYDRAULIC SYSTEM ASSY.

△ 3 TO LIFT PUMP SOLENOID (RELAY).
SEE ELECTRICAL CONTROL ASSY.

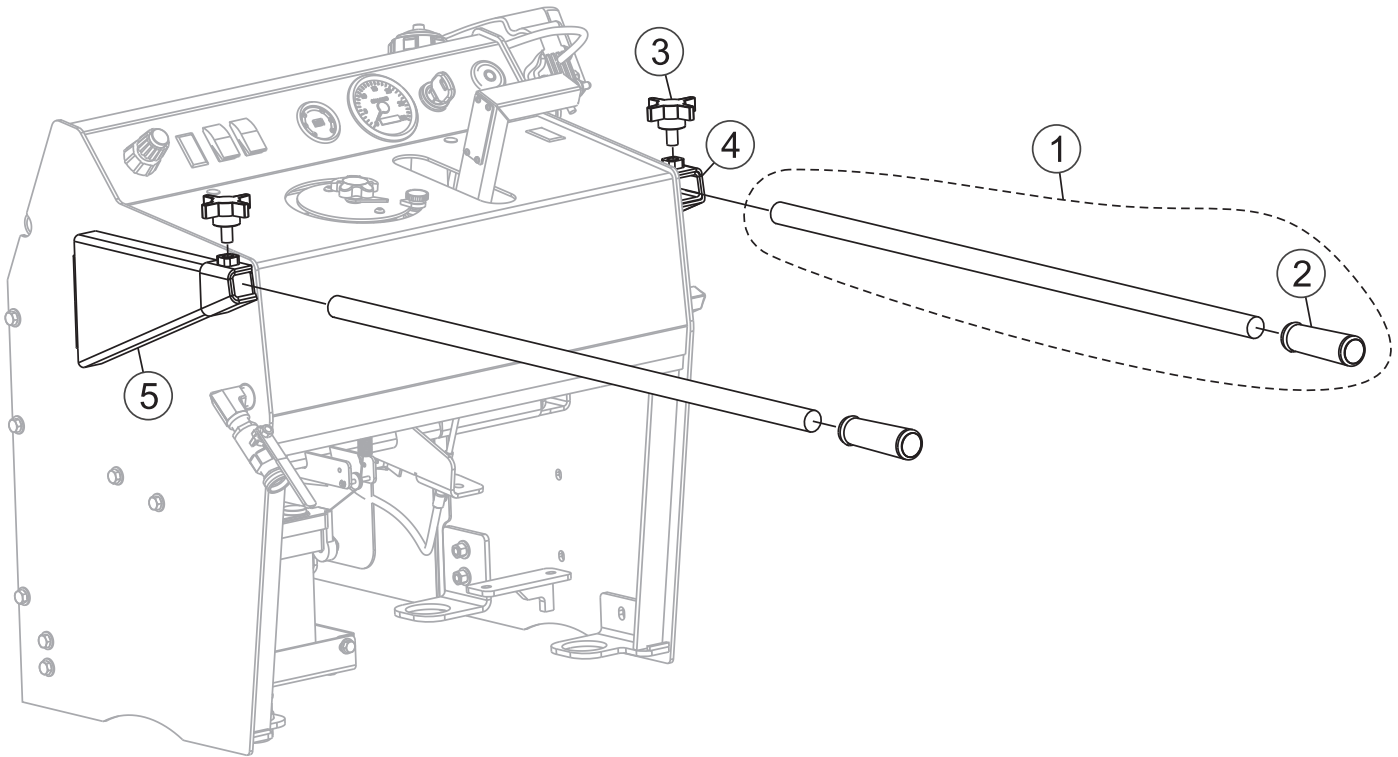
BATTERY ASSY.

BATTERY ASSY.

<u>NO.</u>	<u>PART NO.</u>	<u>PART NAME</u>	<u>QTY.</u>	<u>REMARKS</u>
1	0166	SCREW, HHC 3/8 - 16 X 7/8	1	
2	0655	SCREW, HHC 5/16 - 18 X 3/4	4	
3	37585	BOX, BATTERY	1	
4	37098	RETAINER, BATTERY HOLD-DOWN	1	
5	37258	CLIP, BATTERY RETAINER	1	
6	37284	SCREW, HHC M14 - 2.0 X 20MM GRD 8.8 PLTD	1	
7	37690	CABLE, POSITIVE BATTERY STARTER	1	
8	37692	CABLE, POSITIVE BATT. SOLENOID LIFT PUMP	1	
9	37699	CABLE, NEGATIVE BATTERY ENGINE	1	
10	37691	CABLE, NEGATIVE BATTERY LIFT PUMP	1	
11	37688	CABLE, POSITIVE BATT. SOLENOID LIFT PUMP	1	
12	404006	BATTERY, EXIDE ORB75DT-84	1	
13	915101	SCREW, HHC 3/8 - 16 X 1/2 GRD 8	2	
14	933241	WASHER, FLAT SAE 5/16 GRD 9 YZ	4	
15	933245	WASHER, FLAT SAE 9/16 GRD 9 YZ	1	

HANDLEBARS ASSY.

HANDLEBARS ASSY.



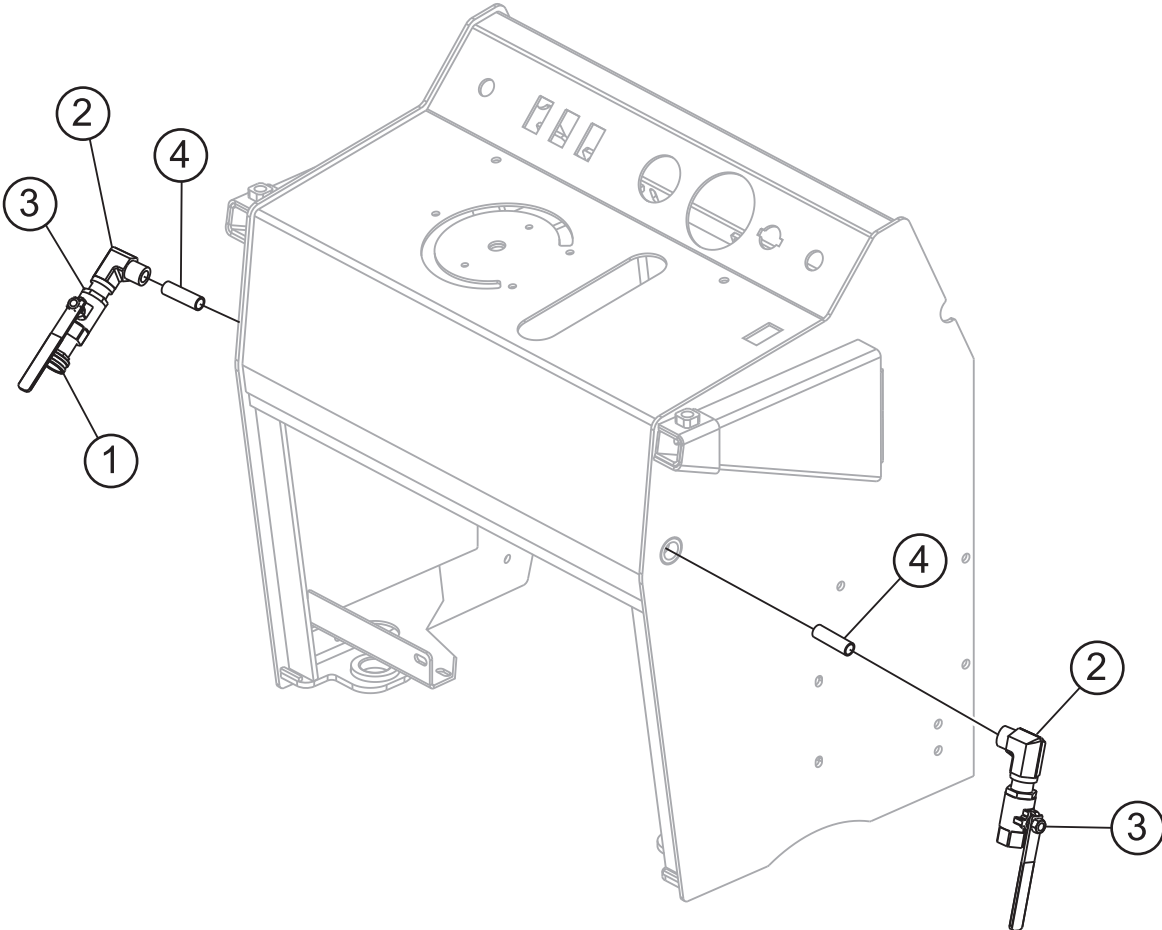
HANDLEBARS ASSY.

HANDLEBARS ASSY.

<u>NO.</u>	<u>PART NO.</u>	<u>PART NAME</u>	<u>QTY.</u>	<u>REMARKS</u>
1	560023	HANDLEBAR ASSY., CONCRETE SAW	2	
2	560017	GRIP, HANDLEBAR	2	
3	19977	KNOB, CLAMP 1/2 - 13 THREAD	2	
4	37589	SUPPORT, RH SAW HANDLEBAR GUIDE	1	
5	37590	SUPPORT, LH SAW HANDLEBAR GUIDE	1	

WATER SYSTEM ASSY.

WATER SYSTEM ASSY.

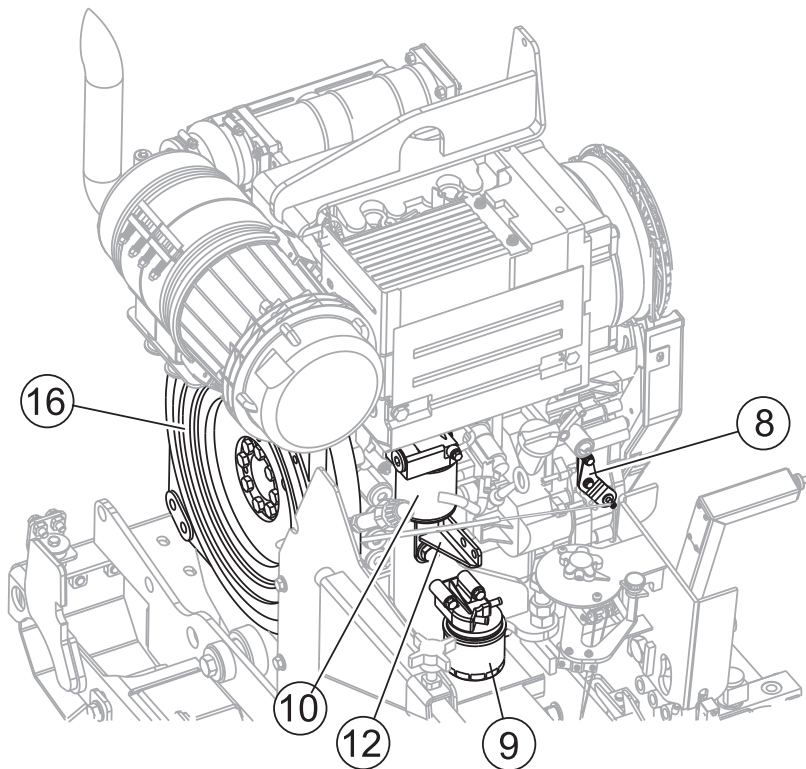
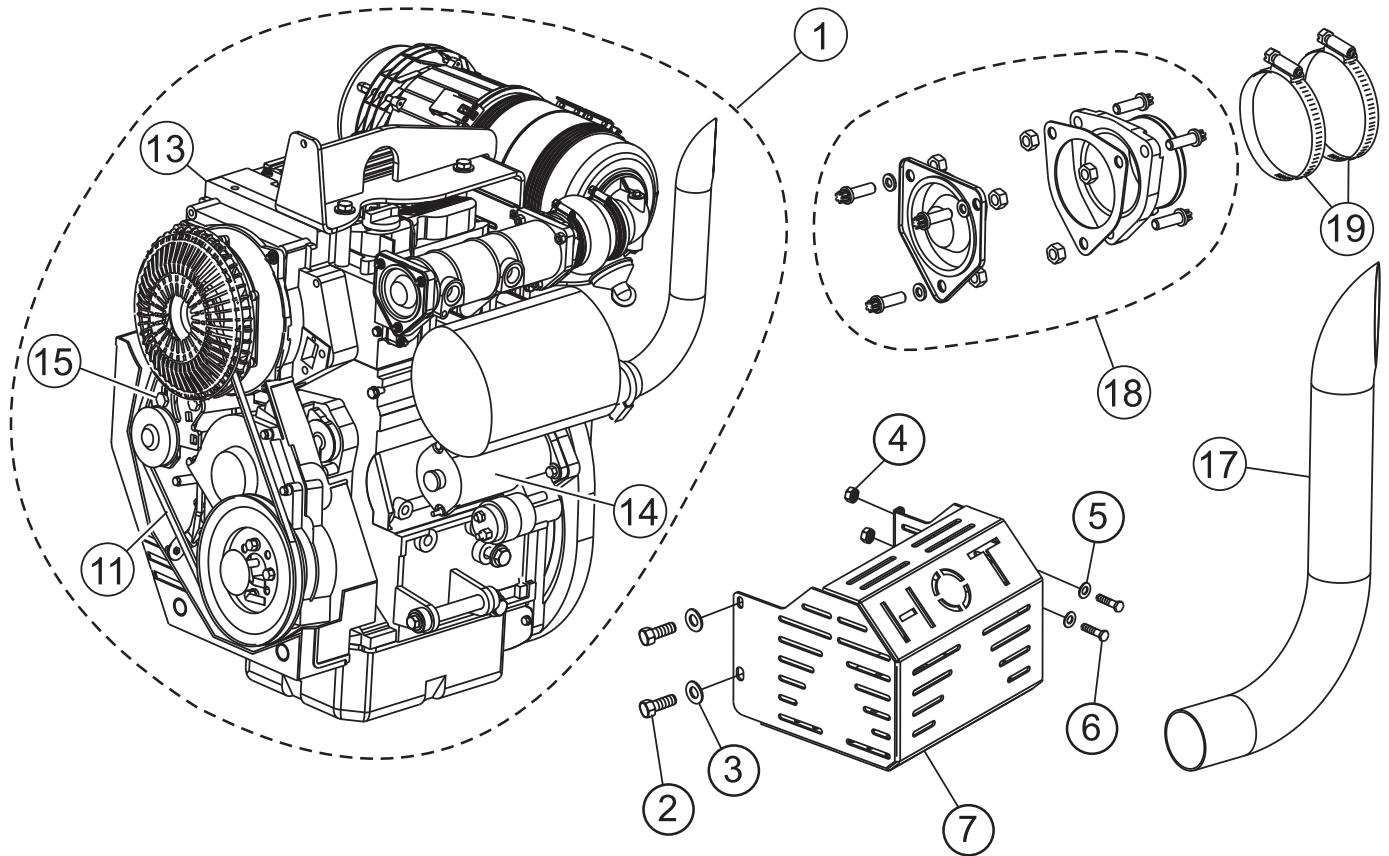


WATER SYSTEM ASSY.

WATER SYSTEM ASSY.

<u>NO.</u>	<u>PART NO.</u>	<u>PART NAME</u>	<u>QTY.</u>	<u>REMARKS</u>
1	38313	FITTING, BRASS (F) 3/4 GHT SWIVEL 3/8 MNPT	1	
2	37813	FITTING, 90 1/2MP - 3/8 FP	2	
3	37311	BALL VALVE, BRASS 3/8 MNPT X FNPT	2	
4	25607	FITTING, COUPLING 1/2" NPT	2	

ENGINE ASSY.

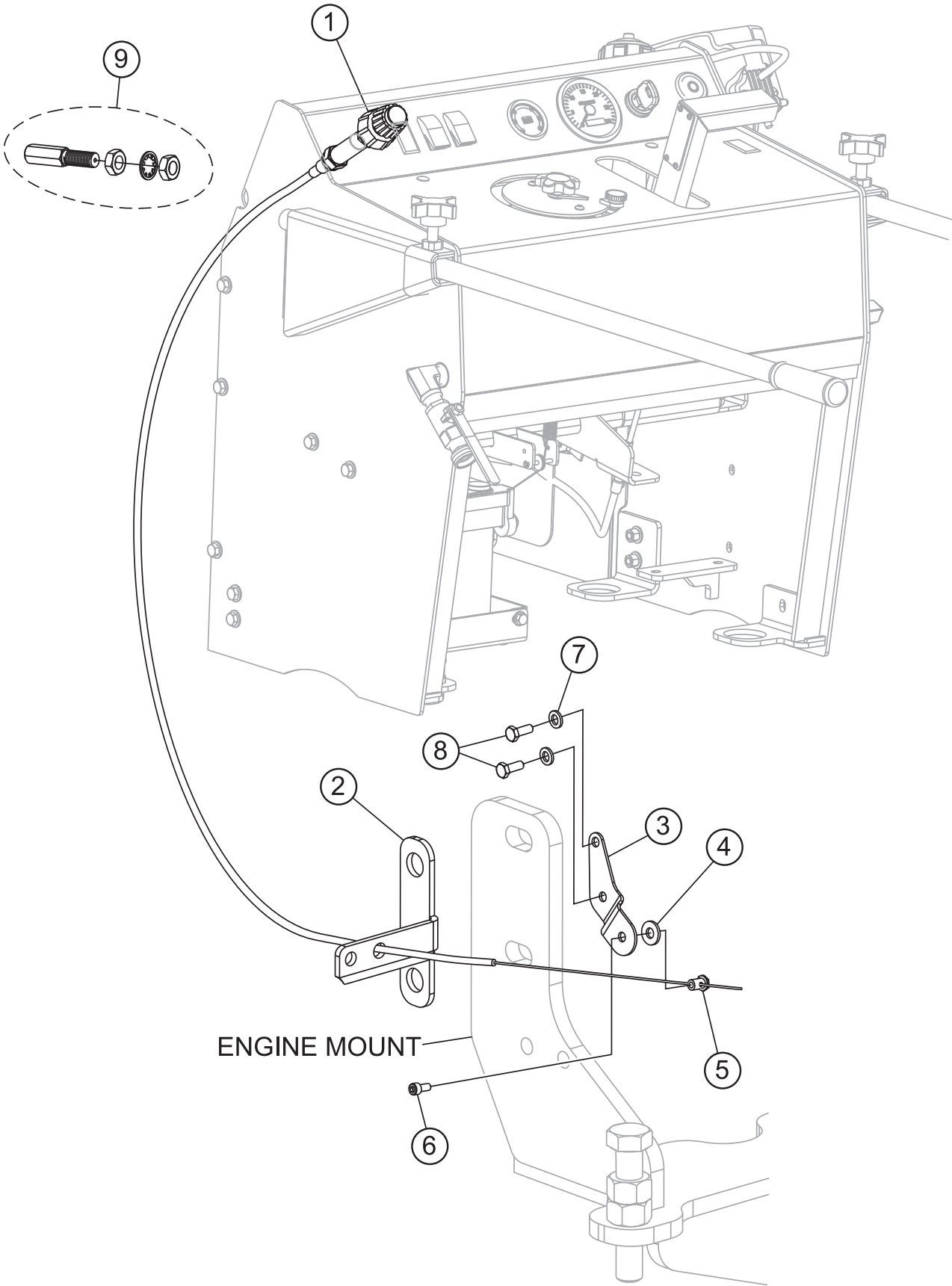


ENGINE ASSY.

<u>NO.</u>	<u>PART NO.</u>	<u>PART NAME</u>	<u>QTY.</u>	<u>REMARKS</u>
1	37655	ENGINE, ASSEMBLY 4030	1	INCLUDES ITEMS W/#
2	2299	SCREW, HHC M8 - 1.25 X 16MM	1	
3	25591	WASHER, M8	1	
4	10024	NUT, NYLOC 1/4 X 20	2	
5	933240	WASHER, FLAT SAE 1/4 GR 9 YZ	2	
6	915004	SCREW, HHC 1/4 - 20 X 7/8	2	
7	37752	HEAT SHIELD	1	SAFETY ITEM
8	37255	THROTTLE LEVER	1	
9	1174696	FILTER, FUEL DEUTZ	1	
10	1174416	FILTER, OIL DEUTZ	1	
11#	21004-003	V-BELT, AX-35	1	
12	37669	BRACKET, THROTTLE/FNR CABLE	1	
13#	35374	ENGINE, DEUTZ 30HP BF2L2011	1	
14#		STARTER	1	
15#		BOLT, (BELT ADJUST)	1	
16#		FLYWHEEL	1	
17	35365	EXHAUST, 4030 EXTENSION	1	
18	35374	AIR INTAKE MOUNT AND CAP	1	
19	29218	CLAMP, HOSE WORM #48 3.375 DIA.	2	

THROTTLE CONTROL ASSY.

THROTTLE CONTROL ASSY.



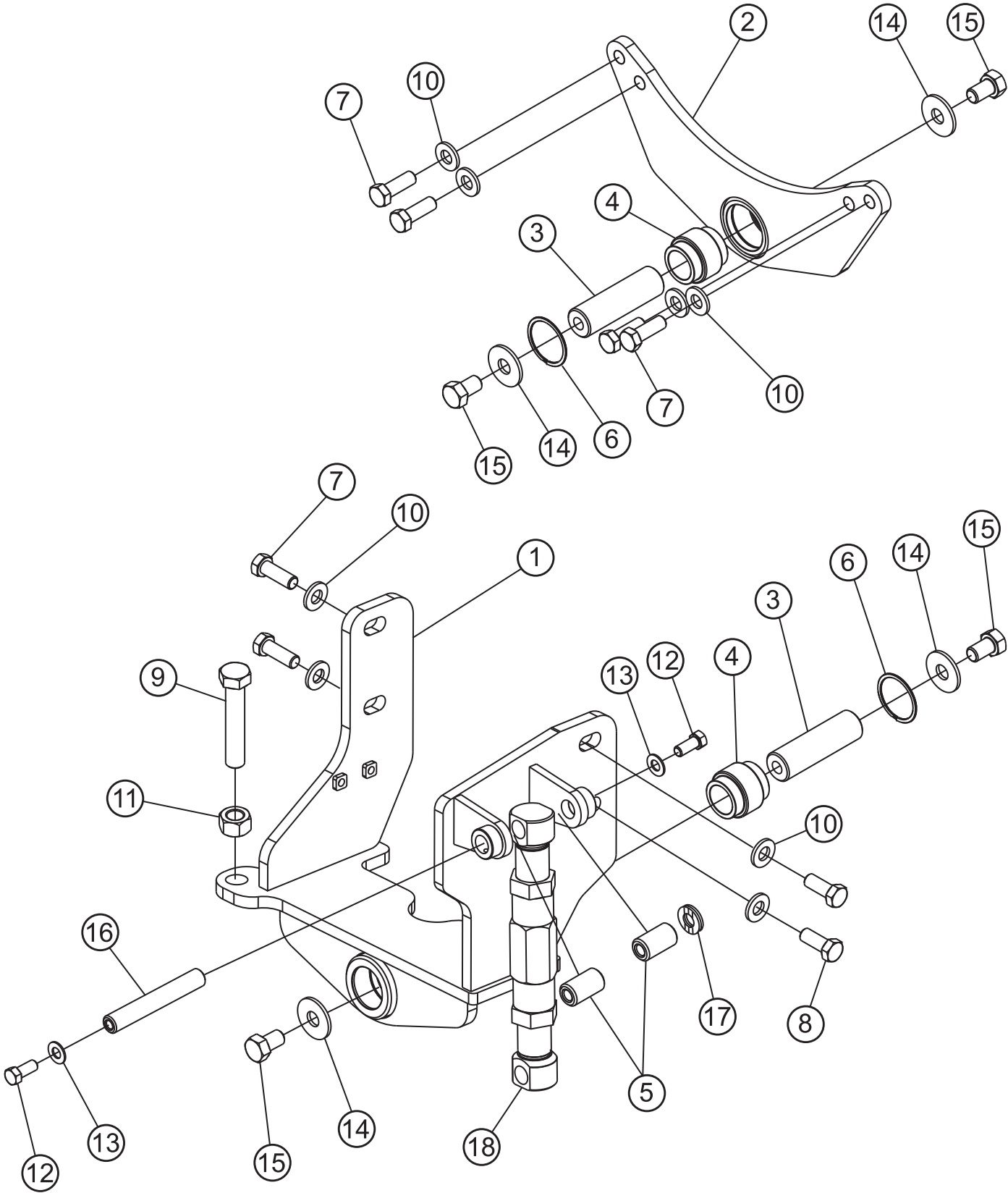
THROTTLE CONTROL ASSY.

THROTTLE CONTROL ASSY.

<u>NO.</u>	<u>PART NO.</u>	<u>PART NAME</u>	<u>QTY.</u>	<u>REMARKS</u>
1	37212	THROTTLE	1	
2	37669	BRACKET, THROTTLE/FNR CABLE	1	
3	37255	LEVER, THROTTLE	1	
4	933240	WASHER, FLAT SAE 1/4 GRD 9 YZ	1	
5	25624	SWIVEL, CABLE END W/ WASHER	1	
6	923113	SCREW, SHC 8 - 32 X 3/8 GRD 8	1	
7	23942-097	WASHER, M6	2	
8	12464	SCREW, HHC M6 - 1.0 X 16MM	2	
9	25634	BULK HEAD ADAPTOR	1	

ENGINE MOUNTS ASSY.

ENGINE MOUNTS ASSY.



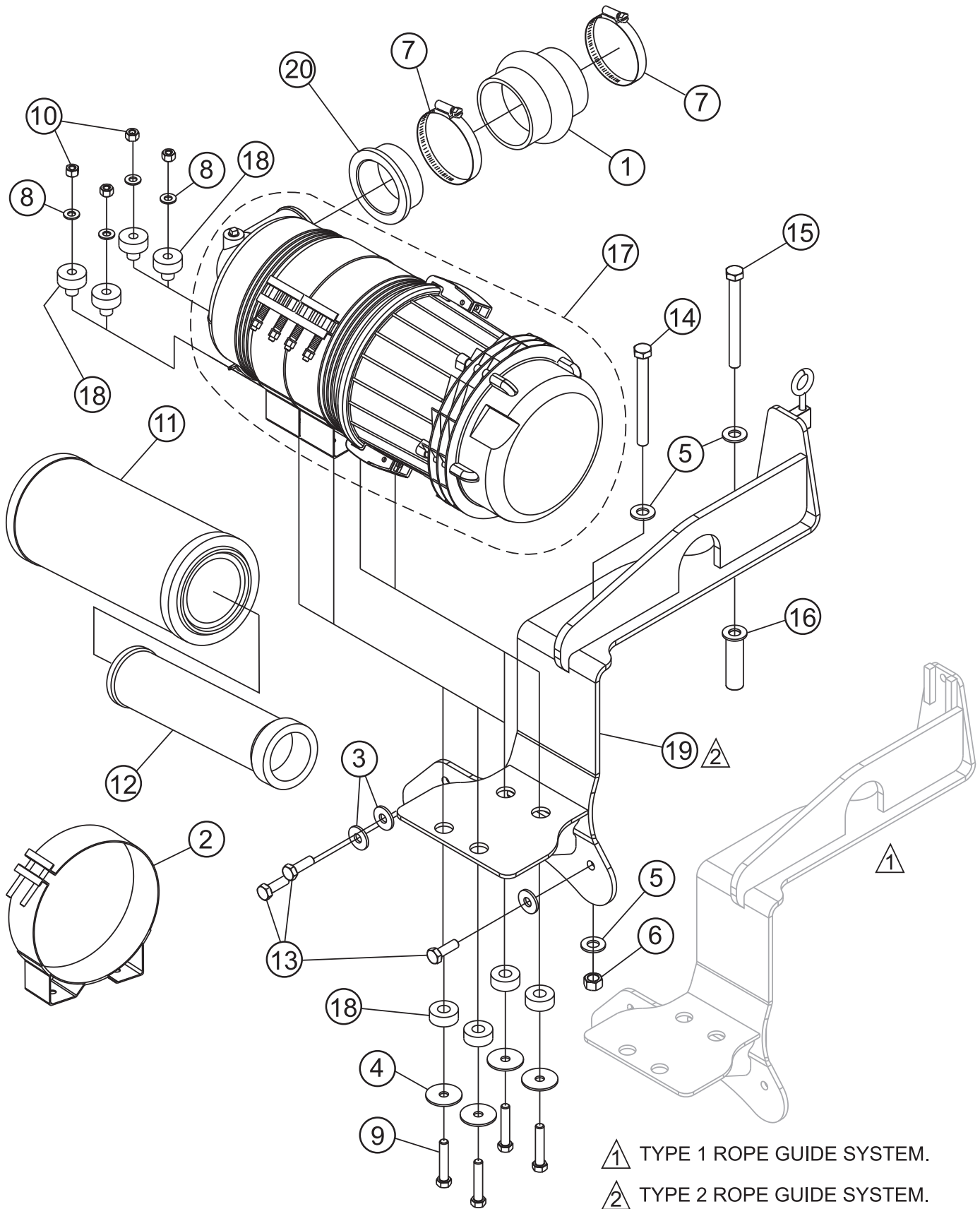
ENGINE MOUNTS ASSY.

ENGINE MOUNTS ASSY.

<u>NO.</u>	<u>PART NO.</u>	<u>PART NAME</u>	<u>QTY.</u>	<u>REMARKS</u>
1	37658	MOUNT, DEUTZ ENGINE RH	1	
2	37100	MOUNT, LH ENGINE	1	
3	37661	PIN, 4030 ENGINE PIVOT	2	
4	37031	BEARING, PLAIN 2.000 ULTRASERT UC200	2	
5	37741	SPACER, 1.00 OD X .75 ID X 1	2	
6	37313	RING, SPIRAL RETAINING WHM-200	2	
7	37310	SCREW, HHC M14-2.0 X 40MM GRD 10.9 NP	6	
8	37146	SCREW, HHC M14-2.0 X 35MM GRD 10.9 NP	2	
9	913838	SCREW, HHC 3/4 - 10 X 4 GRD5 ZINC	1	
10	933245	WASHER, FLAT SAE 9/16 GRD 9 YZ	8	
11	4389	NUT, HEX 3/4 - 10	1	
12	16530	SCREW, HHC 7/16 - 14 X 1	2	
13	933243	WASHER, FLAT SAE 7/16 GRD 9 YZ	2	
14	37037	WASHER, ENGINE PIVOT PIN	4	
15	06505-008	SCREW, HHC 5/8 - 11 X 1.00	4	
16	37166	PIN, LOWER ENGINE PIVOT	1	
17	37322	SPRING, CREST-TO-CREST C100-L2	1	
18	37751	TURNBUCKLE	1	

LIFTING BALE AND AIR CLEANER ASSY.

LIFTING BALE AND AIR CLEANER ASSY.



LIFTING BALE AND AIR CLEANER ASSY.

LIFTING BALE AND AIR CLEANER ASSY.

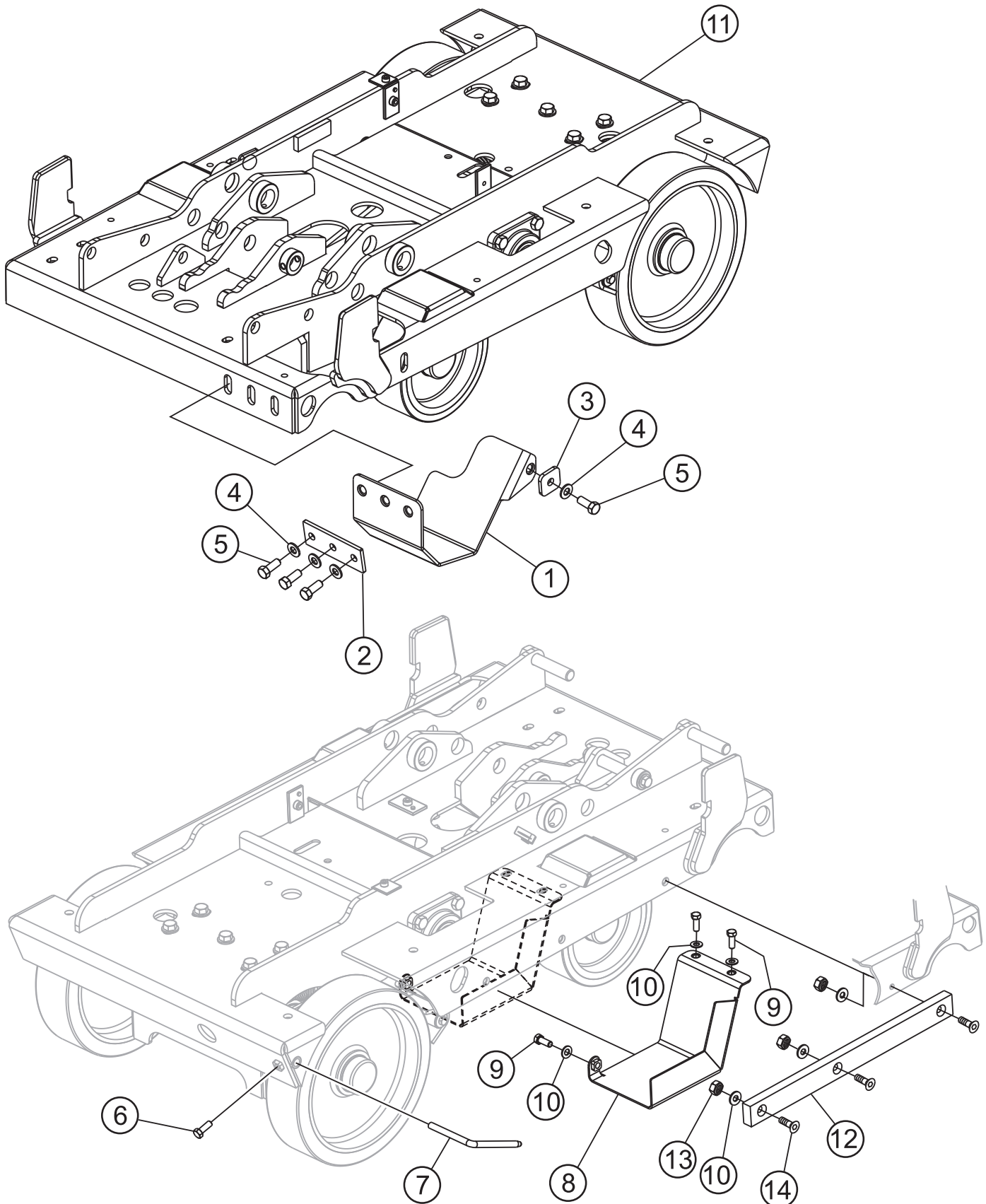
<u>NO.</u>	<u>PART NO.</u>	<u>PART NAME</u>	<u>QTY.</u>	<u>REMARKS</u>
1	302009	HOSE, HUMP 3" X 2.75"	1	
2	37761	BRACKET, AIR INTAKE BODY	2	
3	940358	WASHER, FLAT 10.5MM X 20MM ZINC	3	
4	12832	WASHER, SNUBBING KORF .148099-1	4	
5	933244	WASHER, FLAT SAE 1/2 GRD 9 YZ	3	
6	16083	NUT, HEX M12 - 1.75 NO PLATE	1	
7	29218	CLAMP, HOSE WORM # 48	2	
8	933241	WASHER, FLAT SAE 5/16 GRD 9 YZ	4	
9	1665	SCREW, HHC 3/8 - 16 X 2	4	
10	5283	NUT, NYLOC 5/16 - 18	4	
11	P772579	PRIMARY FILTER, DEUTZ BF3L2013	1	
12	P775300	SAFETY FILTER, DEUTZ BF3L2014	1	
13	9182	SCREW, HHC M8 - 1.25 X 45MM	3	
14	37314	SCREW, HHC M12 - 1.75 X 100MM TAP BOLT NP	1	
15	37315	SCREW, HHC M12 - 1.75 X 100MM 10.9 NP	1	
16	37144	SPACER, ENGINE LIFTING BRACKET	1	
17	37663	FILTER ASSEMBLY ENGINEAIRE 2-5 7 VLR 90	1	
18	575001	RUBBER ISOLATOR (2-PIECE)	4	
19	37664	MOUNT, 4030 LIFTING BALE/AIR CLEANER	1	SEE NOTE BELOW
20	25791	BUSHING, AIR INTAKE 2.75 X 3.00	1	



NOTE: TYPE 2 ROPE GUIDE SYSTEM
SUPERCEDES TYPE 1 ROPE GUIDE
SYSTEM. SEE ILLUSTRATION ON FRONT
POINTER ASSY.

PLATFORM GUARDS/REAR POINTER ASSY.

PLATFORM GUARDS/REAR POINTER ASSY.



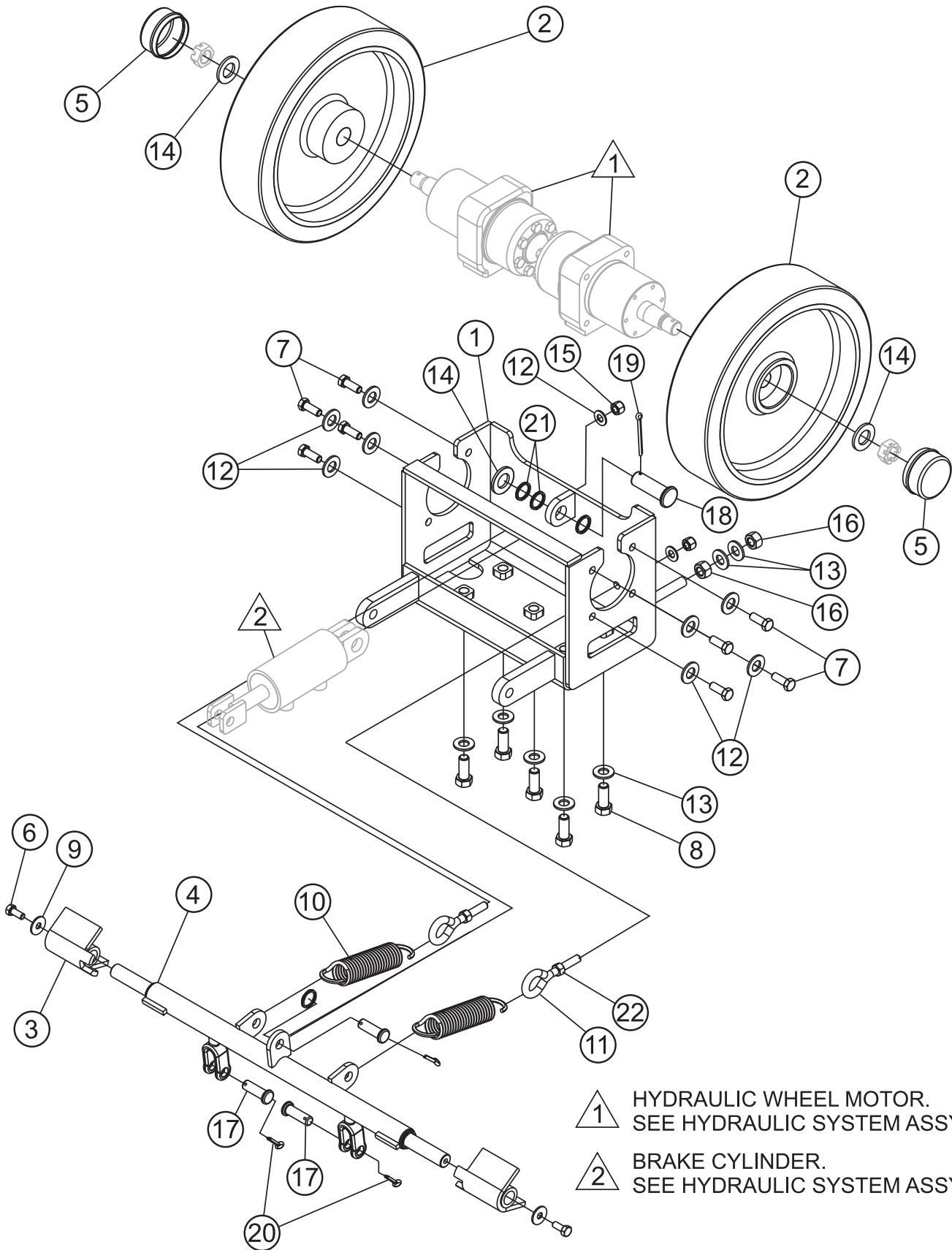
PLATFORM GUARDS/REAR POINTER ASSY.

PLATFORM GUARDS/REAR POINTER ASSY.

<u>NO.</u>	<u>PART NO.</u>	<u>PART NAME</u>	<u>QTY.</u>	<u>REMARKS</u>
1	37682	GUARD, BLADESHAFT PULLEY	1	SAFETY ITEM
2	583091	STRAP, LOWER BELT GUARD	1	
3	583092	WASHER, LOWER BELT PROTECTOR	1	
4	933244	WASHER, FLAT SAE 1/2 GRD 9 YZ	4	
5	3214	SCREW, HHC 1/2 - 13 X 1-1/4	4	
6	915105	SCREW, HHC 3/8 - 16 X 1.0 GRD 8	1	
7	110020	POINTER, REAR SAW	1	
8	37728	SHIELD, CONCRETE SLURRY	1	
9	915105	SCREW, HHC 3/8 - 16 X 1.0 GRD 8	3	
10	933242	WASHER, FLAT SAE 3/8 GRD 9 YZ	6	
11	37632	PLATFORM, W/A	1	
12	37693	STRIP, SLURRY CONTROL	1	
13	10133	NUT, NYLOC 3/8 - 16	3	
14	20982	SCREW, FHSC 3/8 - 16 X 1-1/2 PLATED	3	

WHEEL DRIVE ASSY.

WHEEL DRIVE ASSY.



1 HYDRAULIC WHEEL MOTOR.
SEE HYDRAULIC SYSTEM ASSY.

2 BRAKE CYLINDER.
SEE HYDRAULIC SYSTEM ASSY.

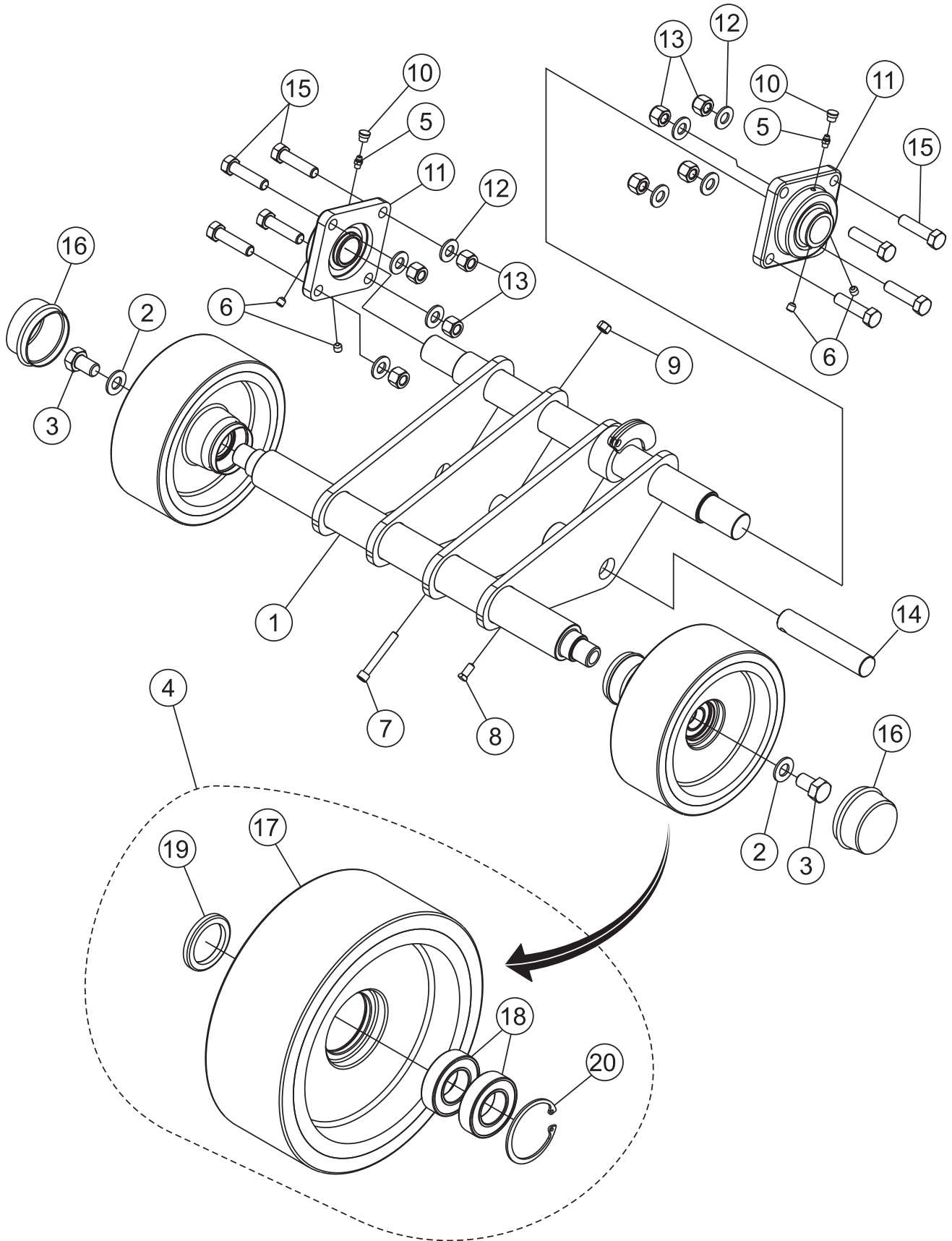
WHEEL DRIVE ASSY.

WHEEL DRIVE ASSY.

<u>NO.</u>	<u>PART NO.</u>	<u>PART NAME</u>	<u>QTY.</u>	<u>REMARKS</u>
1	37647	MOUNT, WHEEL MOTOR	1	
2	37095	WHEEL, 12 X 3 TAPERED BORE	2	
3	37044	BRAKE PAD	2	
4	37649	BRAKE PIVOT ROD	1	
5	37138	CAP, WHEEL DUST	2	
6	0655	SCREW, HHC 5/16 - 18 X 3/4	2	
7	0205	SCREW, HHC 3/8 - 16 X 1.0	8	
8	3214	SCREW, HHC 1/2 - 13 X 1-1/4	5	
9	933213	WASHER, FENDER 5/16 X 1 ZINC	2	
10	37048	SPRING, 1.125 X .187 X 4 W/EYELET	2	
11	23858-001	EYEBOLT, 3/8 - 16 X 2.0	2	
12	933242	WASHER, FLAT SAE 3/8 GRD 9 YZ	10	
13	933244	WASHER, FLAT SAE 1/2 GRD 9 YZ	7	
14	933247	WASHER, FLAT SAE 3/4 GRD 9 YZ	3	
15	10133	NUT, NYLOC 3/8 - 16	2	
16	968011	NUT, HEX FINISH 1/2 - 13	2	
17	19974	PIN, CLEVIS 1/2 X 1.25	3	
18	966166	PIN, CLEVIS 3/4 X 2	1	
19	965105	PIN, COTTER 5/32 X 1-1/2	1	
20	965103	PIN, COTTER 5/32 X 1	3	
21	37322	SPRING, CREST TO CREST	6	
22	1456	NUT, HEX FINISH 3/8 - 16	2	

FRONT AXLE ASSY.

FRONT AXLE ASSY.



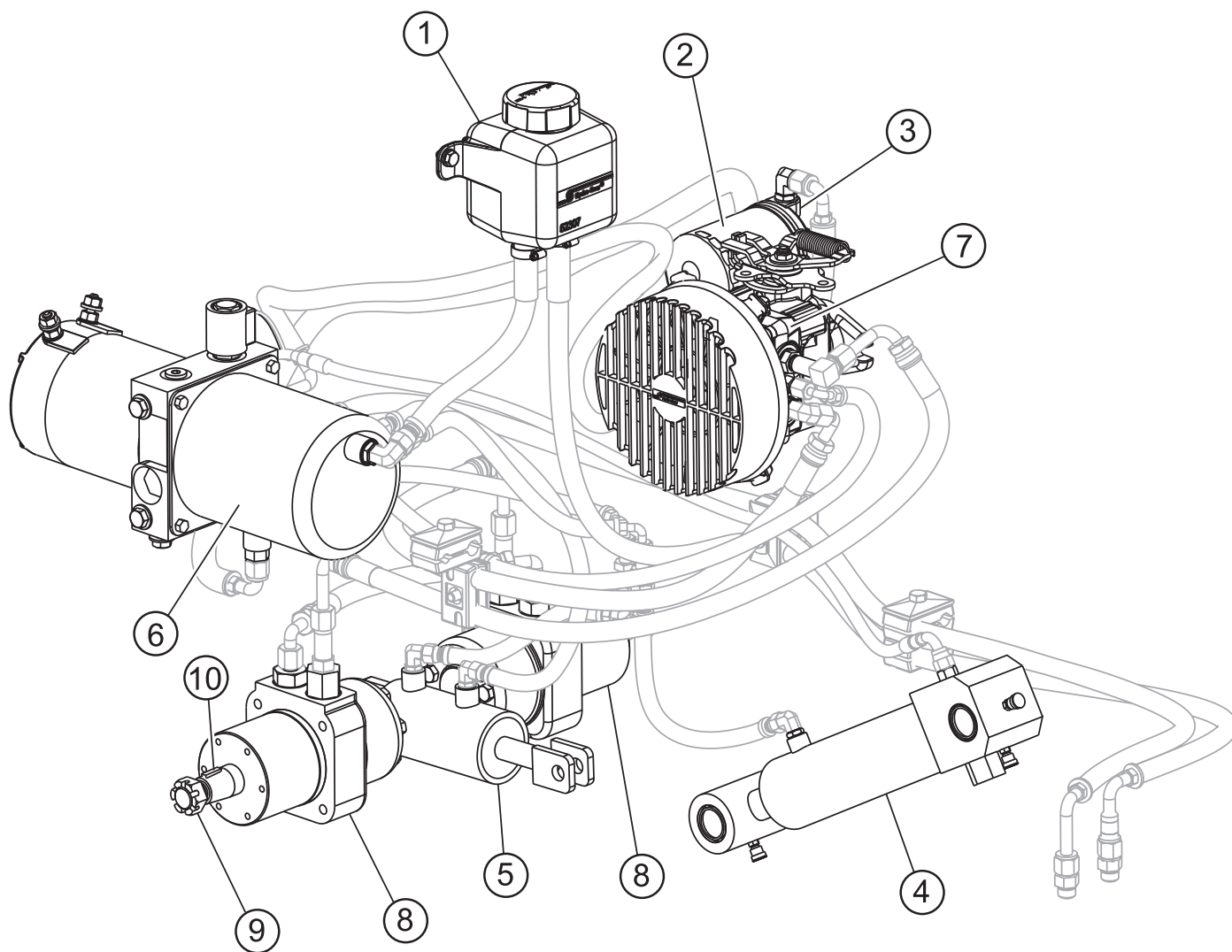
FRONT AXLE ASSY.

FRONT AXLE ASSY.

<u>NO.</u>	<u>PART NO.</u>	<u>PART NAME</u>	<u>QTY.</u>	<u>REMARKS</u>
1	37625	FRONT AXLE W/A	1	
2	933246	WASHER, FLAT 5/8 SAE GRD9 YZ	2	
3	06505-008	SCREW, HHC 5/8 - 11 X 1.00	2	
4	37132	WHEEL ASSEMBLY, FRONT	2	INCLUDES ITEMS W/ *
5	2621	FITTING, GREASE ZERK STR 1/4 - 28	2	
6	26091	SCREW, SHS 1/4 - 28 X 1/4 CUP POINT	4	
7	2186	SCREW, SHC 5/16 - 18 X 2-1/4 PLTD	1	
8	926064	SCREW, SQHS CUP POINT 5/16 - 24 X 5/8	1	
9	5283	NUT, NYLOC 5/16 - 18	1	
10	1162 A	CAP, GREASE ZERK #2 YELLOW	2	
11	37040	BEARING, 1.250" FLANGE	2	
12	933244	WASHER, FLAT SAE 1/2 - 13 GD 8	8	
13	16629	NUT, NYLOC 12 - 13 GD 8	8	
14	37260	PIN, LIFT CYLINDER	1	
15	915211	SCREW, HHC 1/2 - 13 X 2 GRD8 YZ	8	
16	37138	CAP, WHEEL DUST	2	
17,*	37131	WHEEL, 8 X 3 POLYURETHANE	2	
18,*	460002	BEARING, BALL KOYO # 6005 SRS	4	
19,*	485002	SEAL, OIL CR # 28655	2	
20,*	576003	SNAP RING, - HO-185	2	

HYDRAULIC SYSTEM ASSY.

HYDRAULIC SYSTEM ASSY.



HYDRAULIC SYSTEM ASSY.

HYDRAULIC SYSTEM ASSY.

<u>NO.</u>	<u>PART NO.</u>	<u>PART NAME</u>	<u>QTY.</u>	<u>REMARKS</u>
1	37213	RESERVOIR, 350ML HYDROGEAR	1	
2	306006	FILTER	1	
3	25617	FILTER HEAD, (FILTER MOUNT)	1	
4	37121	LIFT CYLINDER ASSEMBLY	1	
5	37211	CYLINDER, BRAKE 2" X 1.5" STROKE	1	
6	37113	PUMP, 24V DC LIFT HYDROGEAR	1	
7	37104	PUMP, BDP-6 PC-BGCC-AA1Z-XXXX	1	
8	37056	MOTOR, WHEEL - HYDROGEAR HGM-15P-7131	2	
9	37923	NUT, 3/4 - 20 HEX SLOTTED	2	
10	0126	KEY, WOODRUFF #606 3/16 X 3/4	2	

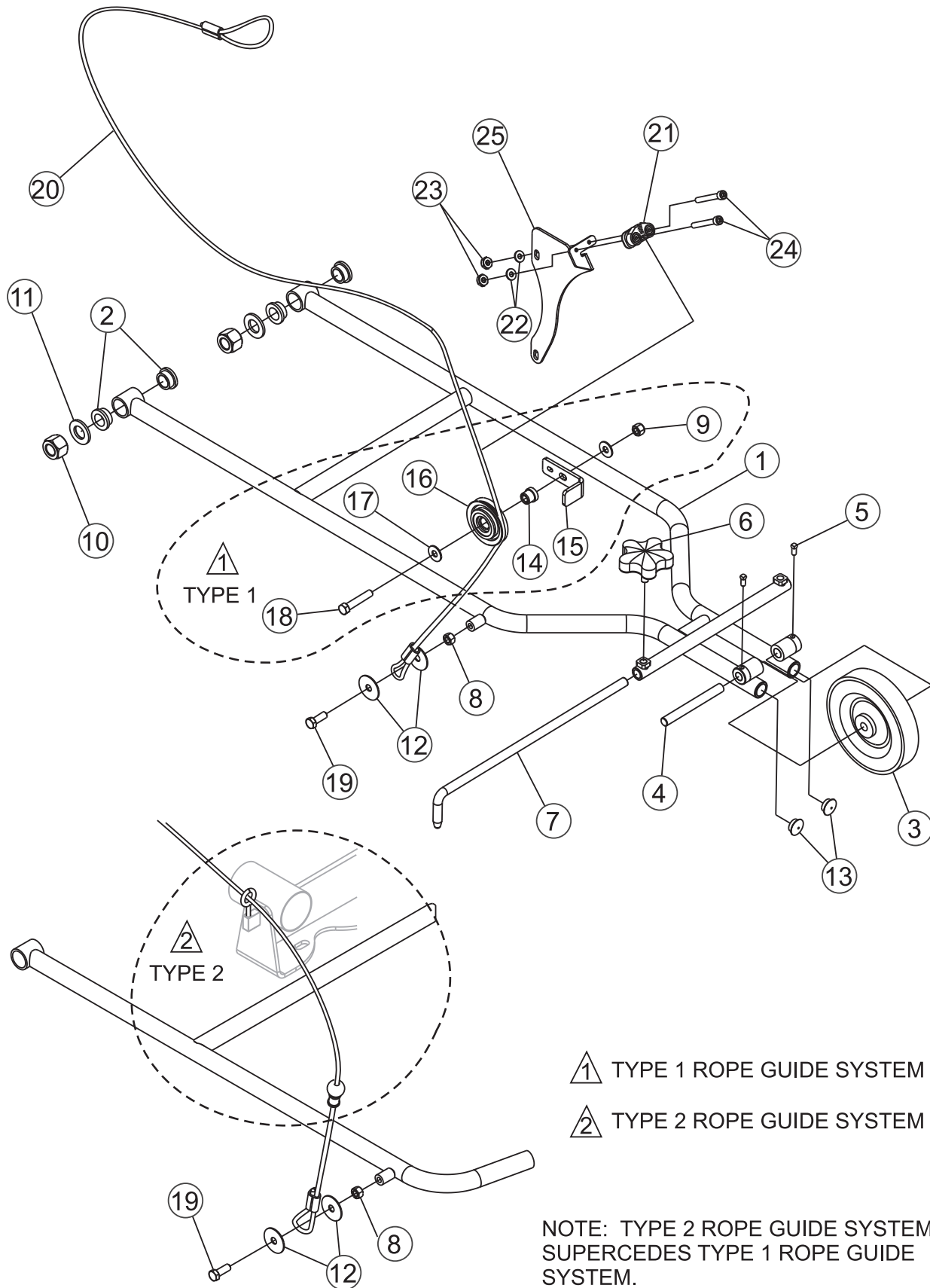
HYDRAULIC HOSES AND FITTINGS ASSY.

HYDRAULIC HOSES AND FITTINGS ASSY.

<u>NO.</u>	<u>PART NO.</u>	<u>PART NAME</u>	<u>QTY.</u>	<u>REMARKS</u>
1	37282	HOSE ASSY., #6 LP	1	
2	37695	HOSE ASSY., #4 LP"	1	
3	37696	HOSE ASSY., #6 PARFLEX	1	
4	37697	HOSE ASSY., #6 PARFLEX	1	
5	37698	HOSE ASSY., #4 LP	1	
6	37700	HOSE ASSY., #6 LP	1	
7	37701	HOSE ASSY., #6-8 LP	1	
8	37702	HOSE ASSY., #6-8 LP	1	
9	37704	HOSE ASSY., #6 LP	1	
10	37705	HOSE ASSY., #4 LP	1	
11	37708	HOSE ASSY., #6 LP	1	
12	37709	HOSE ASSY., #4 LP	1	
13	37710	HOSE ASSY., #4 LP	1	
14	37711	HOSE ASSY., #4 HP PARFLEX	1	
15	37712	HOSE ASSY., DRIVE MOTOR CROSSOVER	1	
16	11721	FITTING, STR 6MJ - 6MO	3	
17	15538	CLAMP, HOSE WORM #6, 7/16" TO 7/8"	2	
18	21095	FITTING, STR 4MJ - 4MO	2	
19	21115	FITTING, STR 6MJ - 6MO LONG	4	
20	366437	FITTING, BULKHEAD #4 JIC	2	
21	367470	FITTING, STR 4MJ - 6MO	3	
22	367681	FITTING, STR MJ - M18MO	1	
23	368699	PLUG, 6MO HEX SKT HD	2	
24	368817	FITTING, 90 4MJ - 4MO	3	
25	37400	FITTING, 6MJ X 6MO - 90LL	1	
26	37405	FITTING, 10MO X - 6FO - ST	2	
27	37406	FITTING, 6MJ X 10MO - ST	2	
28	37407	FITTING, 4MJ X 6MO - 90	1	
29	37825	COIL, LIFT PUMP VALVE CARTRIDGE	1	
30	1579	SCREW, HHC 1/4 - 20 X .5	2	
31	37432	CLAMP ASSEMBLY, HOSE	1	
32	37431	CLAMP ASSEMBLY, HOSE	1	
33	37433	CLAMP ASSEMBLY, HOSE	1	
34	37352	CLAMP ASSEMBLY, 5/16 HOSE	1	
35	35022	CLAMP, LOOP CUSHIONED #8	1	
36	2621	FITTING, GREASE ZERK STR 1/4 - 28	3	
37	1162 A	CAP, GREASE ZERK #2	3	
38	37110	VEL. FUSE VALVE, 7/8 DELTA SER. DE-CVF-00	1	
39	37718	HOSE AND FITTING KIT 4030	1	

FRONT POINTER ASSY.

FRONT POINTER ASSY.



△ TYPE 1 ROPE GUIDE SYSTEM

△ TYPE 2 ROPE GUIDE SYSTEM

NOTE: TYPE 2 ROPE GUIDE SYSTEM
SUPERCEDES TYPE 1 ROPE GUIDE
SYSTEM.

FRONT POINTER ASSY.

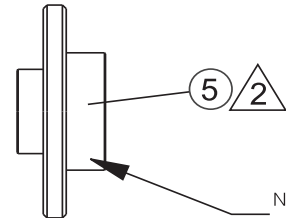
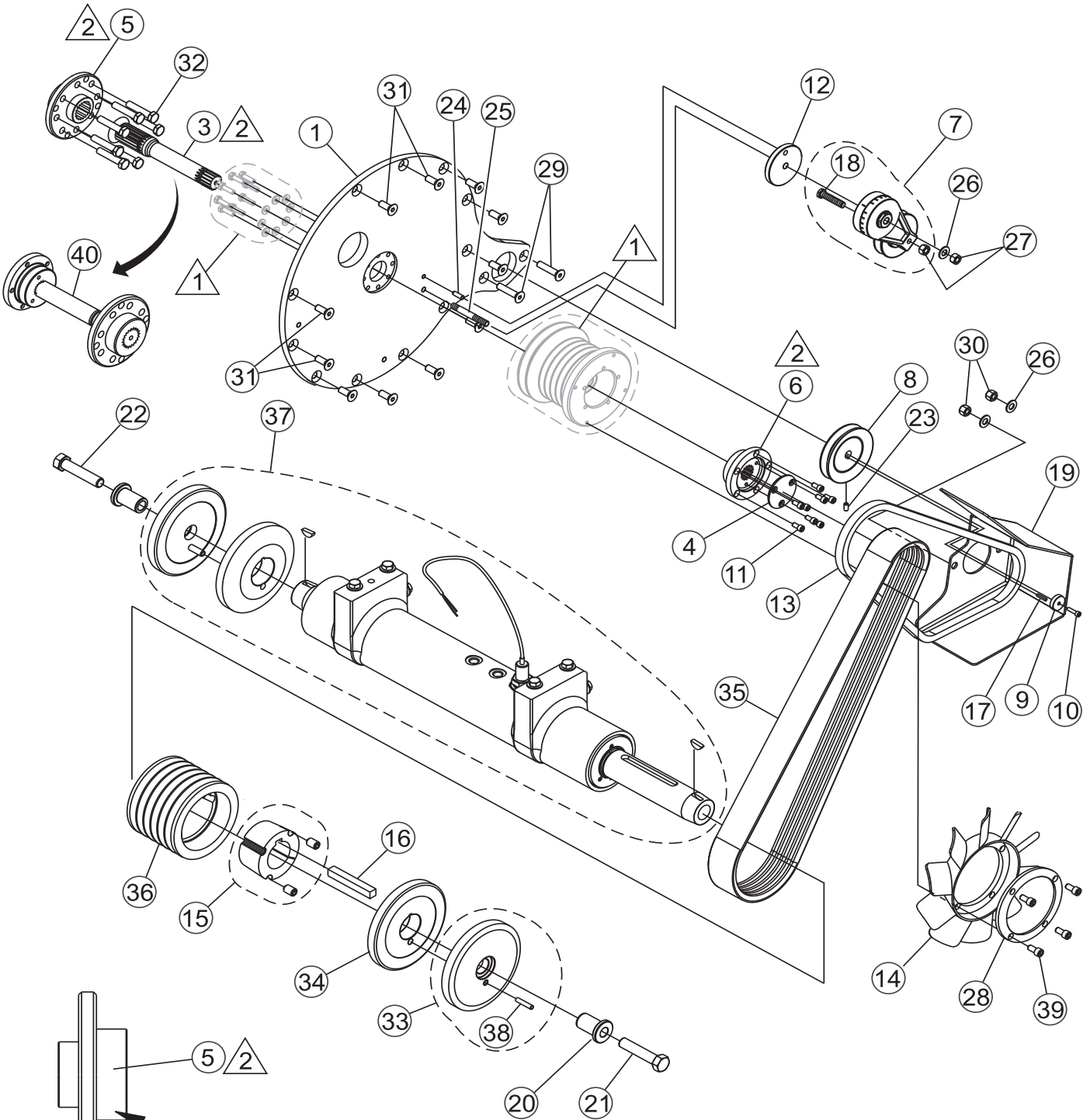
FRONT POINTER ASSY.

<u>NO.</u>	<u>PART NO.</u>	<u>PART NAME</u>	<u>QTY.</u>	<u>REMARKS</u>
1	37651	POINTER	1	
2	582008	BUSHING, FLANGE 1.0 OD X .75 ID	4	
3	500005	WHEEL, POINTER 6" X 1"	1	
4	37178	AXLE, POINTER WHEEL	1	
5	926006	SCREW, SQHS CP 1/4 - 20 X1/2	2	
6	15503	KNOB, COMFORT GRIP STAR	1	
7	110038	SAW POINTER 15" RH FRONT	1	
8	1456	NUT, HEX FINISH 3/8 - 16	1	
9	10133	NUT, NYLOC 3/8 - 16	1	SEE NOTE BELOW
10	5070 B	NUT, NYLOC 3/4 - 10	2	
11	933247	WASHER, FLAT SAE 3/4 GRD 9 YZ	2	
12	3233	WASHER, FENDER 1.50 OD X 3/8 ID	2	
13	37261	PLUG, FINISHING 3/4"	2	
14	544002	SHOULDER, ADAPTER	1	SEE NOTE BELOW
15	125043-3	RETAINER, SAW POINTER CABLE	1	SEE NOTE BELOW
16	540039	PULLEY, POINTER ROPE	1	SEE NOTE BELOW
17	10136	WASHER, FLAT SAE 3/8	2	SEE NOTE BELOW
18	1665	SCREW, HHC 3/8 - 16 X 2	1	SEE NOTE BELOW
19	0205	SCREW, HHC 3/8 - 16 X 1.0	1	
20	574003	ROPE, POINTER ASSY.	1	INCLUDES BALL & CRIMP
21	574002	CAM CLEAT	1	
22	15173	WASHER, FLAT #8	2	
23	13287	NUT, NYLOC 8 - 32	2	
24	923199	SCREW, SHC 8 - 32 X 1-1/4	2	
25	37652	MOUNT, 4030 CAM CLEAT	1	

NOTE: THESE PARTS ARE USED ONLY ON "TYPE 1"
ROPE GUIDE SYSTEMS SHOWN IN ILLUSTRATION.

BELT DRIVE ASSY.

BELT DRIVE ASSY.



NOTE: THIS SIDE TOWARD FLYWHEEL

SCALE 1:3

1 SEE DRIVE PULLEY ASSY.

2 ITEMS 3, 5, 6 INCLUDED WITH ITEM 40, SPLINED DRIVE ASSY, P/N 37834

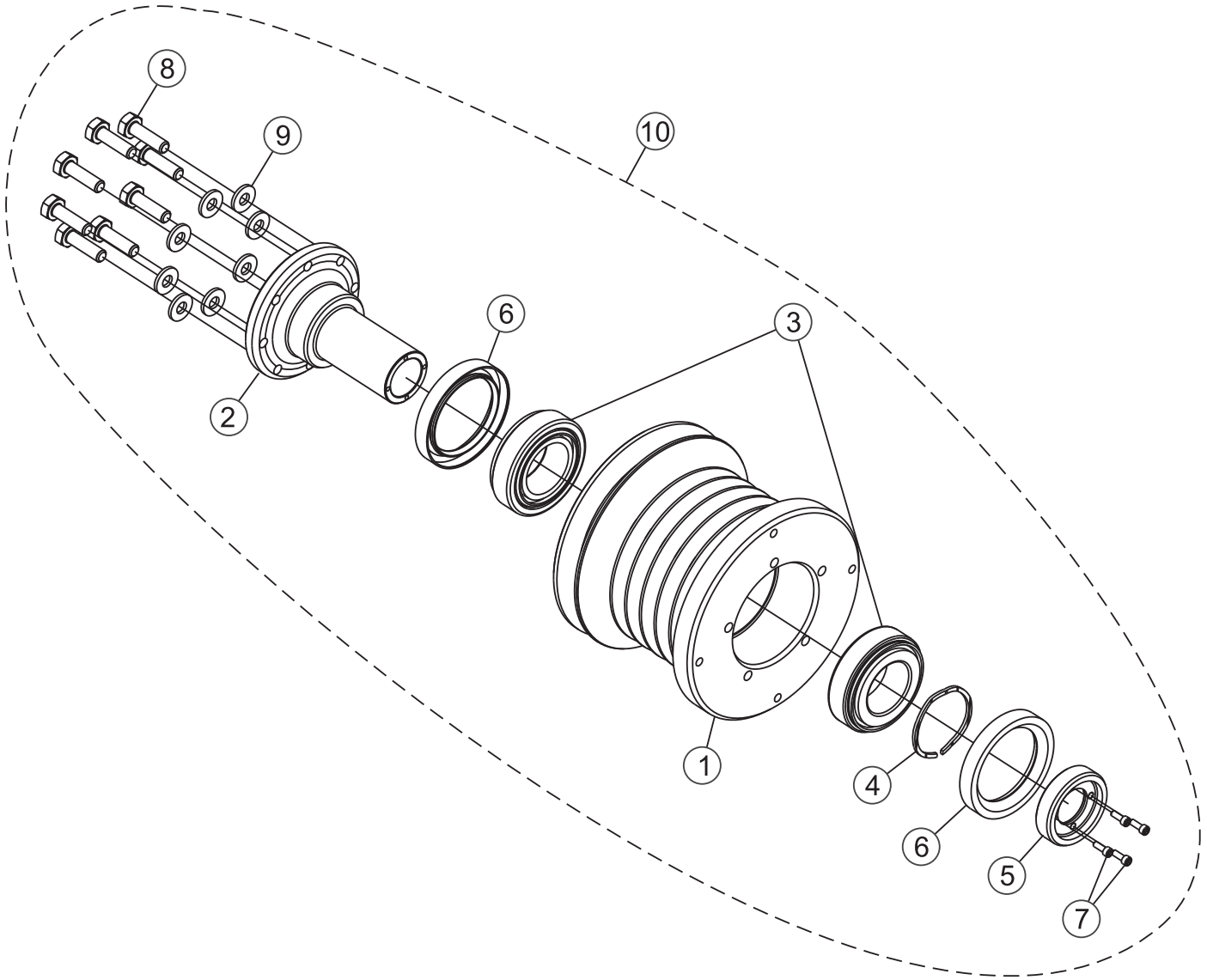
BELT DRIVE ASSY.

BELT DRIVE ASSY.

<u>NO.</u>	<u>PART NO.</u>	<u>PART NAME</u>	<u>QTY.</u>	<u>REMARKS</u>
1	37001	PLATE, ENGINE ADAPTER-DEUTZ	1	
3#		SHAFT, 4030 ENGINE DRIVE-DEUTZ	1	
4	37571	PLATE, PULLEY DRIVE COVER	1	
5#		FLANGE, ENGINE DRIVE-DEUTZ	1	
6#		FLANGE, 4030 ENGINE DRIVE PULLEY-DEUTZ	1	
7	37137	BELT TENSIONER ASSY.	1	INCLUDES ITEMS W/*
8	37002	PULLEY, PUMP DRIVE 3.75" A-SECTION	1	
9	37319	WASHER, THRUST 1.00 OD X .265 L X .265 H	1	
10	37320	SCREW, SHC 10-32 X 3/4	1	
11	923201	SCREW, SHC 1/4 - 20 X 1/2	8	
12	37267	SPACER, BELT TENSIONER	1	
13	21004-003	BELT, AX-35	1	
14	37734	FAN, CW 8" 10 BLADE	1	
15	582020	BUSHING, TAPER-LOCK 1615 X 1-1/5	1	FITS 16", 26"
15	460030	BUSHING, TAPER-LOCK	1	FITS 20"
15	582019	BUSHING, TAPER-LOCK	1	FITS 30"
16	10057-061	KEY, 1/2" SQ X 3-1/2"	1	
17	37269	KEY, SQUARE 1/8 X 3/4	1	
18*	37266	SCREW, MODIFIED HEAD 3/8 X 1-3/4	1	
19	37576	GUARD, PUMP DRIVE	1	SAFETY ITEM
20	582012	BUSHING, QUICK DISCONNECT BLADE SHAFT	2	
21	915315	SCREW, HHC 5/8 - 11 X 3 GR8	1	
22	915316	SCREW, HHC 5/8 - 11 X 3 LH GR8	1	
23	10138	SCREW, SHS 1/4 - 20 X 1/2 NP	1	
24	926919	PIN, DOWEL 1/4 X 3/4	1	
25	37268	STUD, 3/8 - 16 X 3 SELF-LOCKING	1	
26	933242	WASHER, FLAT SAE 3/8 GRD 9YZ	5	
27	1456	NUT, HEX FINISH 3/8 - 16	4	
28	37735	RING, FAN MOUNT	1	
29	924289	SCREW, FHSC 3/8 - 16 X 1-3/4	2	
30	10133	NUT, NYLOC 3/8 - 16	2	
31	939978	SCREW, FHSC M10 - 1.5 X 25MM NP	11	
32	938422	SCREW, HHC M10 - 1.0 X 50MM 10.9 NP	8	
33	37685	FLANGE ASSY, 4.375" OUTER BLADE	2	16", 20", 26", 30" BELT DRIVE INCLUDES ITEMS W/%
33	37169	FLANGE ASSY, 5.0" OUTER BLADE	2	FITS 30", BELT DRIVE INCLUDES ITEMS W/%
34	37675	FLANGE ASSY, 4.375" INNER BLADE	2	FITS 16", 20", 26" BELT DRIVE
34	37676	FLANGE ASSY, 5.0" INNER BLADE	2	FITS 30", BELT DRIVE
35	37577	BELT, 6G 3 VX 500 OPTIBELT	1	
36	37574	PULLEY, 3.6 6G 3V 1615 TAPER	1	FITS 16" BELT DRIVE
36	540065	PULLEY, 4.2 6G 3V 2012 TAPER	1	FITS 20" BELT DRIVE
36	540049	PULLEY, 4.4 6G 3V 1615 TAPER	1	FITS 26" BELT DRIVE
36	37575	PULLEY, 4.75 10G 3V X 2017 TAPER	1	FITS 30" BELT DRIVE
37	37671	BLADE SHAFT ASSEMBLY 4030	1	
38	926790	PIN, DOWEL 3/8 X 1-3/4	2	
39	25992	SCREW, SHC 12 - 24 X 1/2	4	
40	37834	SPLINED DRIVE ASSY	1	INCLUDES ITEMS W/#

DRIVE PULLEY ASSY.

DRIVE PULLEY ASSY.



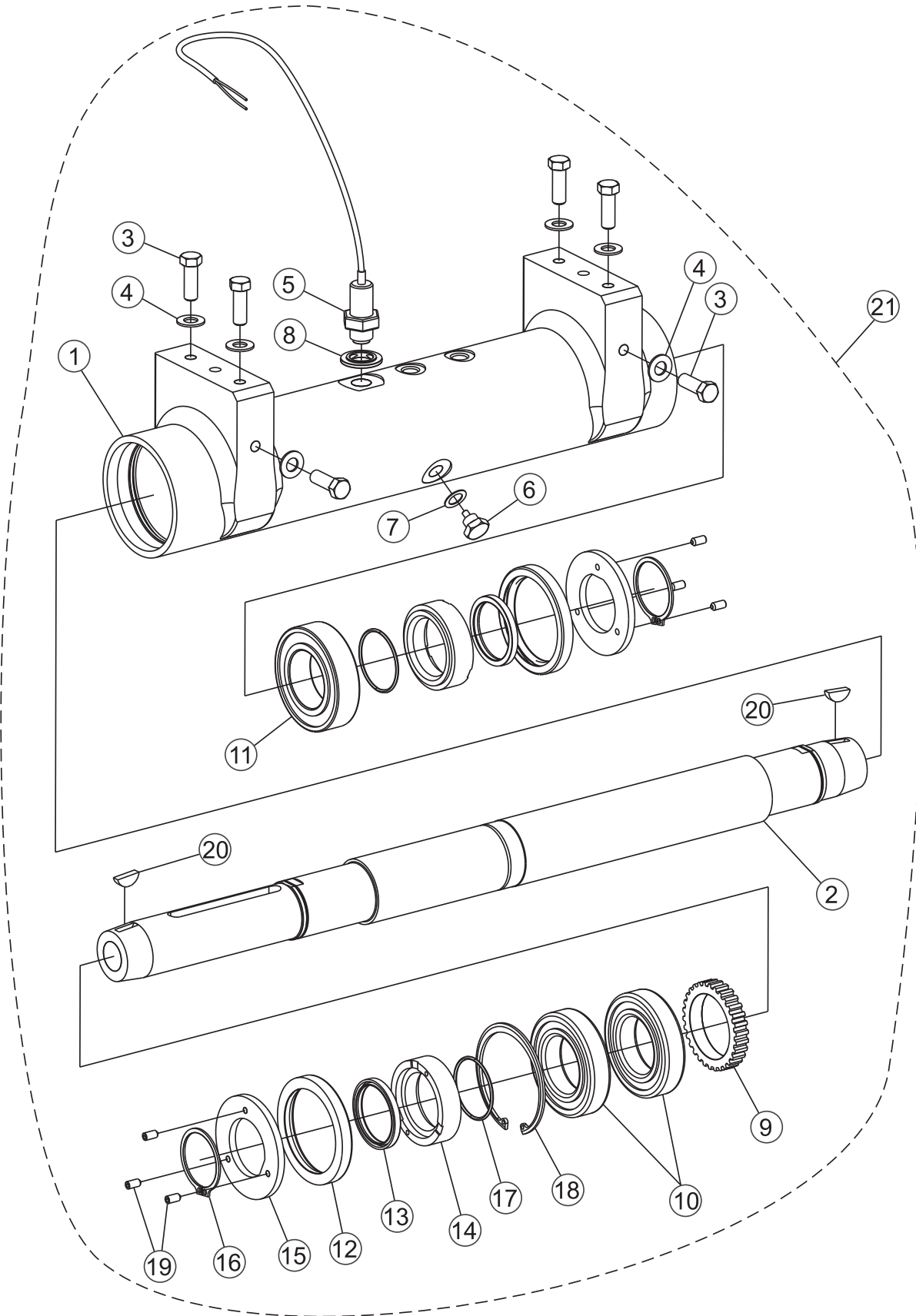
DRIVE PULLEY ASSY.

DRIVE PULLEY ASSY.

<u>NO.</u>	<u>PART NO.</u>	<u>PART NAME</u>	<u>QTY.</u>	<u>REMARKS</u>
1*	37566	PULLEY, 3.03 6 3V 4.5 1A	1	FITS 26", 30", BELT DRIVE
1#	37570	PULLEY, 3.7 6 3V 4.5 1A	1	FITS 16", 20" BELT DRIVE
2*#	37567	SUPPORT, 4030 BEARING	1	
3*#	35314	BEARING, TAPERED ROLLER NSK #320/28XJ	2	
4*#	35315	SPRING, WAVO SMALLEY RW-0150	1	
5*#	37568	FLANGE, 4030 BEARING SUPPORT DRIVE	1	
6*#	35318	SEAL, CR 15821	2	
7*#	37035	SCREW, SHC 4-40 X 3/8	4	
8*#	915004	SCREW, HHC 1/4 - 20 X 7/8 GR8 YZ	8	
9*#	933240	WASHER, FLAT SAE 1/4 GRD 9 YZ	8	
10	37565	DRIVE PULLEY ASSY., 3.03 6 3V 4.5 1A	1	FITS 26", 30", BELT DRIVE INCLUDES ITEMS W/*
10	37569	DRIVE PULLEY ASSY., 3.7 6 3V 4.5 1A	1	FITS 16", 20" BELT DRIVE INCLUDES ITEMS W/#

BLADE SHAFT ASSY.

BLADE SHAFT ASSY.



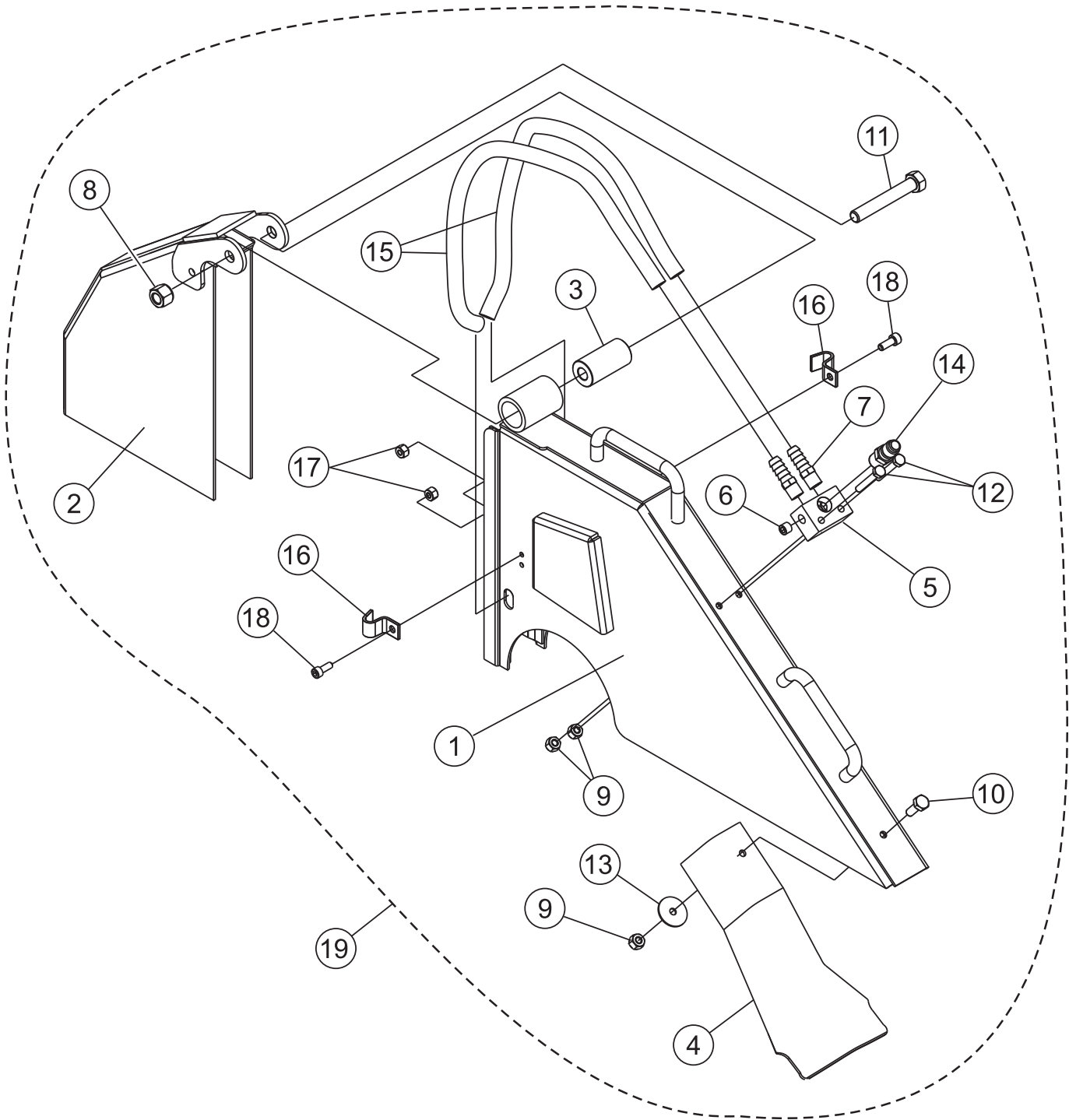
BLADE SHAFT ASSY.

BLADE SHAFT ASSY.

<u>NO.</u>	<u>PART NO.</u>	<u>PART NAME</u>	<u>QTY.</u>	<u>REMARKS</u>
1*	37672	HOUSING, 4030 BLADESHAFT	1	
2*	37673	BLADESHAFT, 4000 SERIES	1	
3*	06502-010	SCREW, HHC 7/16 - 14 X 1-1/4	6	
4*	933243	WASHER FLAT SAE 7/16 GRD 9 YZ	6	
5*	421001	SENSOR, HALL EFFECT SPEED PICKUP	1	
6*	583026	DRAIN PLUG, MAGNETIC 1/2 - 20	1	
7*	577009	GASKET, DRAIN PLUG	1	
8*	25695	WASHER, SEAL 3/4"	1	
9*	25690	GEAR, SAW BLADE SHAFT SPEED PICKUP	1	
10*	460010	BEARING, ROLLER KOYO # 7210BGC3	2	
11*	39460011	BEARING, BALL KOYO # NU2210RC3	1	
12*	480006	SEAL, OIL CR# 28655	2	
13*	480007	SEAL, OIL CR- 19599	2	
14*	485003	SLEEVE, BLADE SHAFT SEAL	2	
15*	486001	WASHER, THRUST 6000 SERIES	2	
16*	576006	SNAP RING, VITON # AS-135	2	
17*	578135	O-RING, VITON # AS-135	2	
18*	576007	SNAP RING, VHO-354	1	
19*	925382	SCREW, KP SHS 1/4 - 20 X 1/2	6	
20*	969314	KEY, WOODRUFF 3/16 X 5/8	2	
21	37671	BLADESHAFT ASSEMBLY 4030	1	INCLUDES ITEMS W/*

16", 20", 26" BLADE GUARD ASSY.

16", 20", 26" BLADE GUARD ASSY.



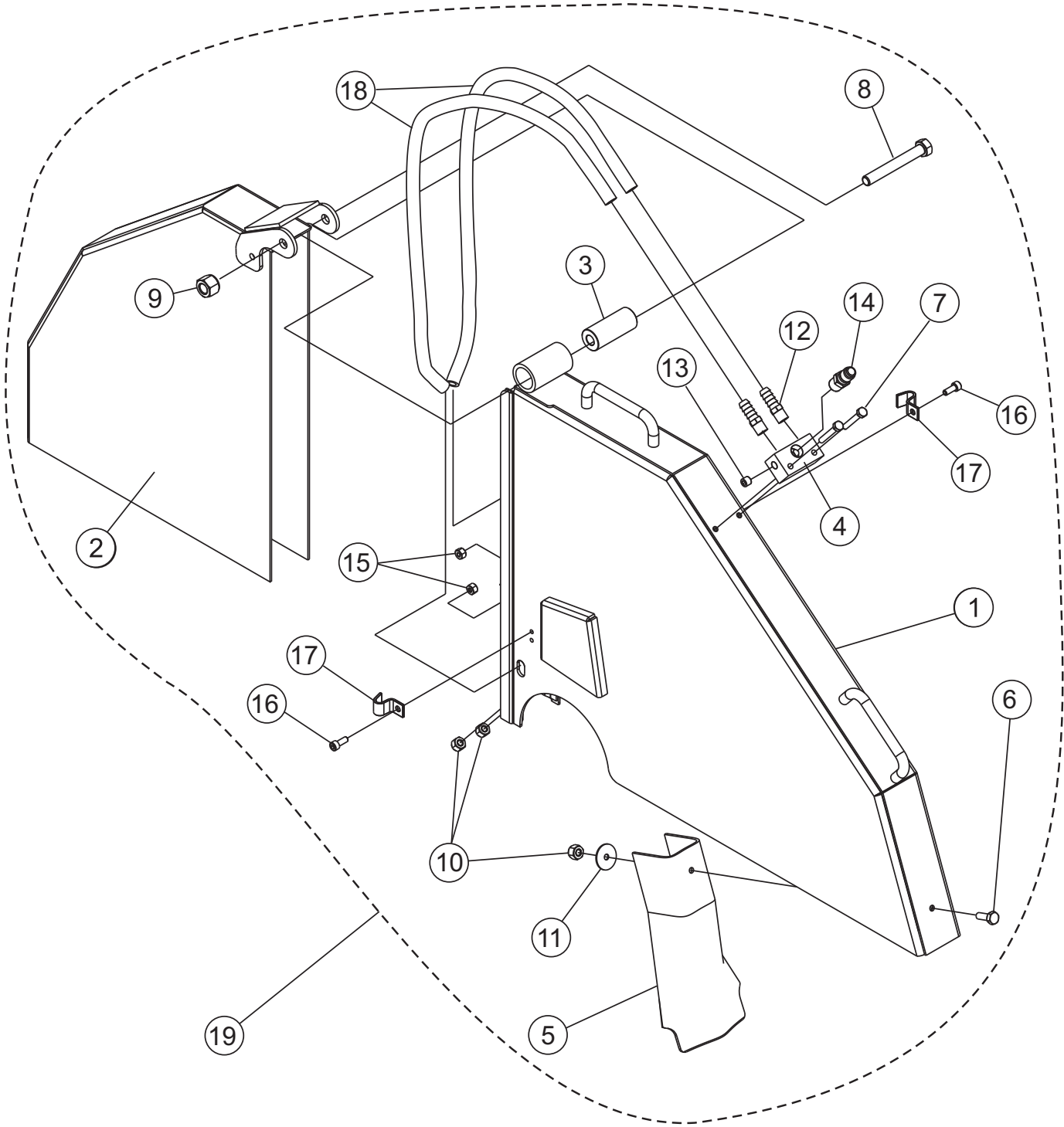
16", 20", 26" BLADE GUARD ASSY.

16", 20", 26" BLADE GUARD ASSY.

<u>NO.</u>	<u>PART NO.</u>	<u>PART NAME</u>	<u>QTY.</u>	<u>REMARKS</u>
1*	200004	BLADEGUARD W/A, 16" REAR HALF	1	
1#	200008	BLADEGUARD W/A, 20" REAR HALF	1	
1\$	200010	BLADEGUARD W/A, 26" REAR HALF	1	
2*	200003	BLADEGUARD W/A, 16" FRONT HALF	1	
2#	200007	BLADEGUARD W/A, 20" FRONT HALF	1	
2\$	200009	BLADEGUARD W/A, 26" FRONT HALF	1	
3*#\$	582040	BUSHING, BLADEGUARD HINGE DELRIN	1	
4*#\$	200019	FLAP, MUD BLADEGUARD	1	SAFETY ITEM
5*#\$	37394	MANIFOLD, WATER SMALL	1	
6*#\$	2113	FITTING, PLUG 1/8MP HEX SKT HD	1	
7*#\$	370456	FITTING, BRASS 6BARB-1/4MP	2	
8*#\$	10176	NUT, NYLOC 1/2-13	1	
9*#\$	10024	NUT, NYLOC 1/4-20	3	
10*#\$	0131 A	SCREW, HHC 1/4 - 20 X 3/4	1	
11*#\$	06503-026	SCREW, HHC 1/2 - 13 X 3-1/4	1	
12*#\$	26250	SCREW, HHC 1/4 - 20 X 1-3/4	2	
13*#\$	10930	WASHER, FENDER 1/4 X 1-1/4	1	
14*#\$	37396	3/8" QC MALE	1	
15*#	37506	HOSE, WATER #6 LP, 16", 20" BLADEGUARD	2	
15\$	37508	HOSE, WATER #6 LP, 26" BLADEGUARD	2	
16*#\$	22129-001	PIPE STRAP 3/8	2	
17*#\$	1618	NUT, NYLOC 10-24	2	
18*#\$	923144	SCREW, SHC 10-24 X 1/2	2	
19	37335	BLADEGUARD ASSY., 16" STD SYS	1	SAFETY ITEM INCLUDES ITEMS W/*
19	37336	BLADEGUARD ASSY., 20" STD SYS	1	SAFETY ITEM INCLUDES ITEMS W/#
19	37337	BLADEGUARD ASSY., 26" STD SYS	1	SAFETY ITEM INCLUDES ITEMS W/\$

30" BLADE GUARD ASSY.

30" BLADE GUARD ASSY.



30" BLADE GUARD ASSY.

30" BLADE GUARD ASSY.

<u>NO.</u>	<u>PART NO.</u>	<u>PART NAME</u>	<u>QTY.</u>	<u>REMARKS</u>
1#	200012	BLADEGUARD W/A, 30" REAR HALF	1	
2#	200011	BLADEGUARD W/A, 30" FRONT HALF	1	
3#	582039	BUSHING, BLADEGUARD HINGE DELRIN	1	
4#	37395	MANIFOLD, WATER LARGE	1	
5#	200019	FLAP, MUD BLADEGUARD	1	SAFETY ITEM
6#	0131 A	SCREW, HHC 1/4 - 20 X 3/4	1	
7#	26250	SCREW, HHC 1/4 - 20 X 1-3/4	2	
8#	06503-030	SCREW, HHC 1/2 - 13 X 3-3/4	1	
9#	10176	NUT, NYLOC 1/2-13	1	
10#	10024	NUT, NYLOC 1/4-20	3	
11#	10930	WASHER, FENDER 1/4 X 1-1/4	1	
12#	370456	FITTING, BRASS 6BARB-1/4MP	2	
13#	2113	FITTING, PLUG 1/8MP HEX SKT HD	1	
14#	37396	3/8" QC MALE	1	
15#	1618	NUT, NYLOC 10-24	2	
16#	923144	SCREW, SHC 10-24 X 1/2	2	
17#	22129-001	PIPE STRAP 3/8	2	
18#	37509	HOSE, WATER #6 LP, 30" BLADEGUARD	2	
19	37338	BLADEGUARD ASSY., 30" STD SYS	1	SAFETY ITEM
			INCLUDES ITEMS W/#