



**EPA Certified
Wood-Burning
Fireplace Inserts**



Elite™ E260

**Save These Instructions
For Future Reference**



Legacy™ C260

P/N 775210M, Rev. D 12/2011

**Wood Fireplace Inserts
Legacy™/Elite™ Models C/E260**

A French manual is available upon request. Order P/N 775210CF.

Ce manuel d'installation est disponible en français, simplement en faire la demande. Numéro de la pièce 775210CF.

This appliance must be properly installed and operated in order to prevent the possibility of a house fire. Please read this entire installation and operation manual before installing and using your wood fireplace insert. Failure to follow these instructions could result in property damage, bodily injury or even death. Contact your local building or fire officials to obtain a permit and information on any installation requirements and inspection requirements in your area.

NATIONAL FIREPLACE INSTITUTE
NFI
CERTIFIED
www.nficertified.org

We recommend that our woodburning hearth products be installed and serviced by professionals who are certified in the U.S. by the National Fireplace Institute® (NFI) as NFI Woodburning Specialists or who are certified in Canada by Wood Energy Technical Training (WETT).

Wood Energy Technical Training
www.wettinc.com

Tested & Listed By Portland Oregon USA
OMNI-Test Laboratories, Inc.
Report #050-S-02b-2

	! WARNINGS
<ul style="list-style-type: none"> • Hot! Do not touch! The glass and surfaces of this appliance will be hot during operation and will retain heat for a while after shutting off the appliance. Severe burns may result. • Carefully supervise children in the same room as appliance. 	

REPLACEMENT PARTS - MODEL C260 AND E260

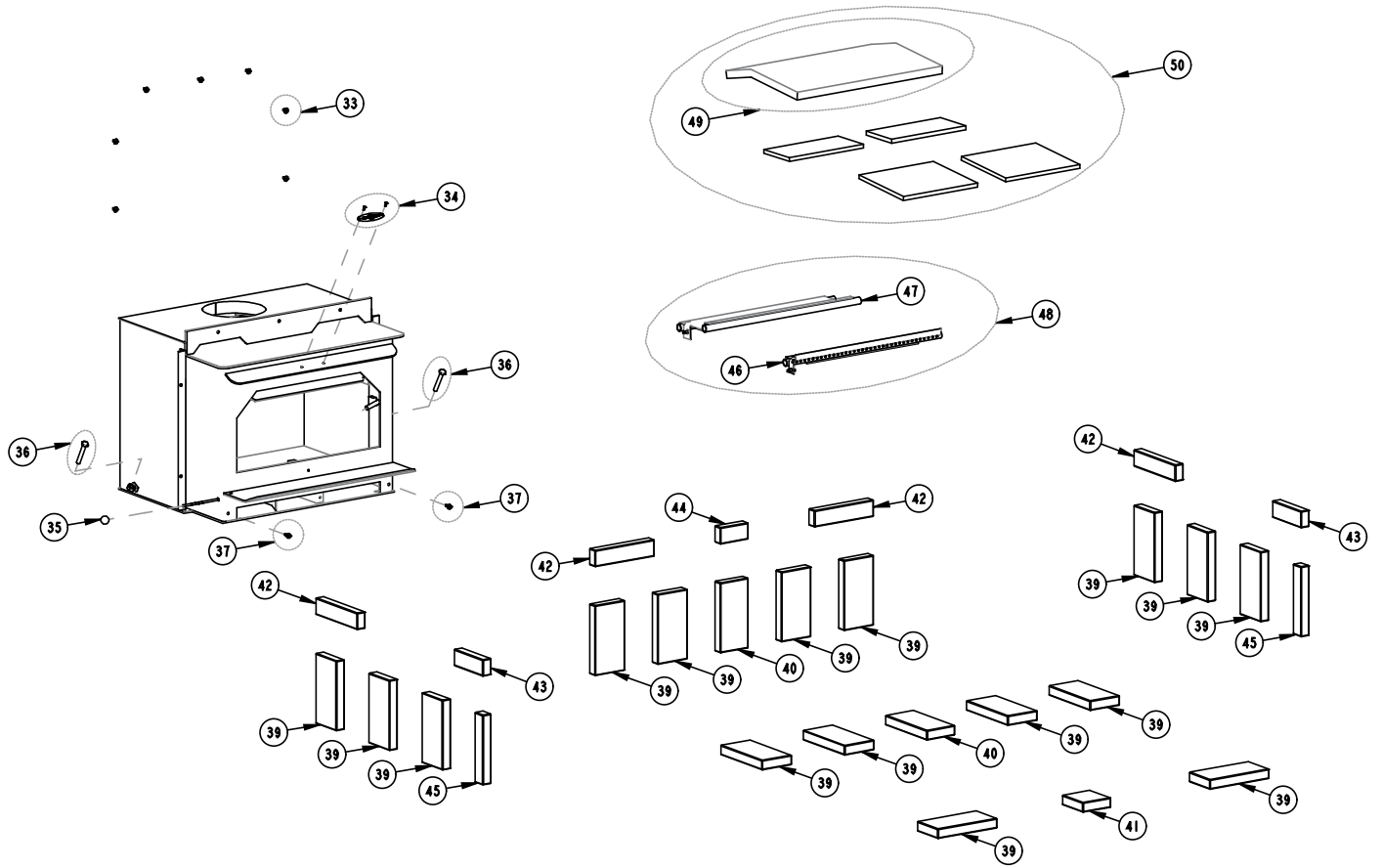
Contact an Lennox Hearth Products dealer to obtain any of these parts. Never use substitute materials. Use of non-approved parts can result in poor performance and safety hazards.

C260 AND E260 FRONT DOOR PARTS LIST		
1	H5639	Door Rope Kit, 7/8" Dia. (6' 2")
2	H5629	Upper Hinge Pin
3	H5626	Upper Hinge Pin E-Clip
4	H5630	Lower Hinge Pin
5	H5646	Lower Hinge Pin Copper Washer
6	H5640	Glass Gasket Kit (8' 4")
7	H5577	Set of 6 screws and 6 washers for door assembly
8	H5654	Spring Handle / Nickel
	H5653	Spring Handle / Gold
9	71099	Traditional Door Glass / Plain
	71100	Traditional Door Glass / Sailboat
	71095	Traditional Door Glass / Cattail
	71097	Traditional Door Glass / Evergreen
	71098	Traditional Door Glass / Floral
10	71082	Traditional Door Faceplate / Black
	71083	Traditional Door Faceplate / Gold
	71084	Traditional Door Faceplate / Nickel
	71149	Traditional Door Faceplate / Brushed Gold
	71146	Traditional Door Faceplate / Brushed Nickel
11	H5562	Traditional Door Back w/ Handle (door gasket included)
USB BLOWER PARTS (C260, E260)		
15	H8067	UHPI Wiring Harness
16	H5655	UHPI & UHPII Blower Speed Control
17	H8068	Snap Switch Bracket w/ hardware
18	H8082	Replacement Power Cord
19	H8069	UHPI Blower Cage-Snap Switch/ Black
	H8070	UHPI Blower Cage-Snap Switch/ Gold
	H8076	UHPI Blower Cage-Snap Switch/ Nickel
	H8077	UHPI Blower Cage-Snap Switch/ Brushed Gold
	H8078	UHPI Blower Cage-Snap Switch/Brushed Nickel
29	H8064	Snap Switch w/ Gasket & Hardware
32	H8066	Control Switch (Manual, Off, Automatic)

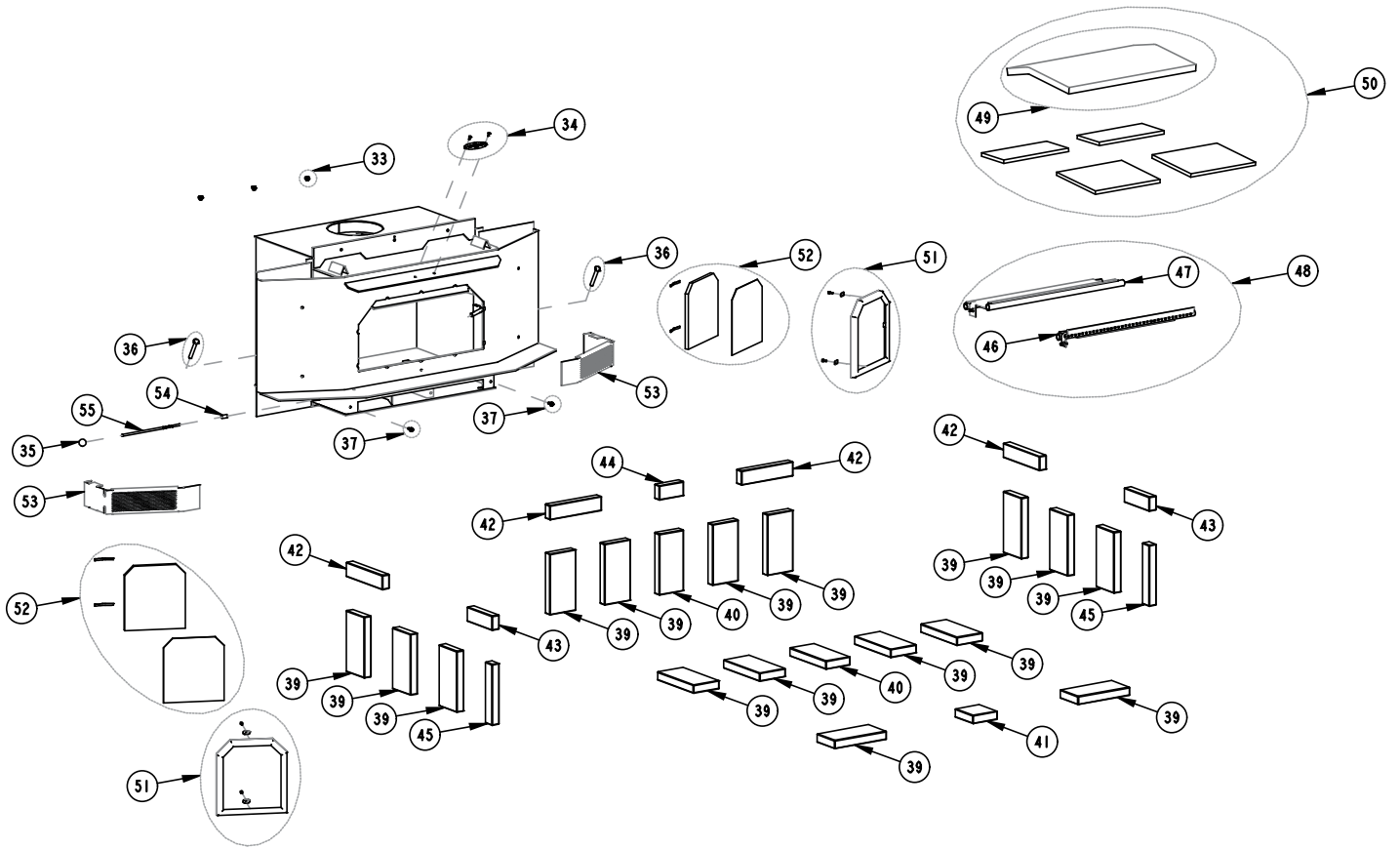
C260 AND E260 INSERT PARTS

33	71139	Large Flange Screw/ Black - Seven Needed
	H5294	Large Flange Screw/ Gold - Seven Needed
	H5295	Large Flange Screw/ Nickel - Seven Needed
34	H8079	Nameplate Kit w/ Hardware - Nickel (1 ea. Lennox & 1 ea. Country)
	H8080	Nameplate Kit w/ Hardware - Gold (1 ea. Lennox & 1 ea. Country)
35	H5650	Draft Rod Knob
36	H5645	Side Leveling Bolts - Two Included
37	H5644	Blower Mounting Bolts - Two Needed
39	H5612	Firebrick 4-1/2" x 9" (16 per stove)
40	H5576	Firebrick 4-1/4" x 9" (2 per stove)
41	H3097	Firebrick 4-1/4" x 4-1/2" (1 per stove)
42	H5611	Firebrick 2-1/8" x 9" (4 per stove)
43	H5595	Firebrick 2-1/8" x 6-1/4" (2 per stove)
44	H3094	Firebrick 2-1/8" x 4-1/4" (1 per stove)
45	H5613	Firebrick 1-3/4" x 9" (2 per stove)
46	H5568	Front Baffle/Secondary Burn Tube Assembly
47	H5567	Middle/Rear Baffle/Secondary Burn Tube Assembly
48	H5569	Complete Baffle/Secondary Burn Tube Assembly (includes tubes and all mounting hardware)
49	H8021	Baffle Blanket 22-1/2" x 15-1/2" x 1"
50	H8020	Baffle Board Kit w/ Baffle Blanket
E260 INSERT PARTS		
51	H5624	Mirror Frame w/ Hardware - Gold - Two Needed
	H5623	Mirror Frame w/ Hardware - Nickel - Two Needed
52	H5580	Mirror Kit w/ Hardware - Diamond - Two Needed
	H5632	Mirror Kit w/ Hardware - Plain - Two Needed
53	71104	Blower Sides / Black Painted - Two Included
	71105	Blower Sides / Gold Plated - Two Included
	71106	Blower Sides / Nickel Plated - Two Included
54	H5648	Coupling Nut for Extended Draft Rod
55	H5631	Extended Draft Rod
C260 AND E260 MISCELLANEOUS PARTS		
	71052	Dry Graphite (Apply to door handle and door hinges)
	H5633	Anti Seize 2 gram pouch

REPLACEMENT PARTS - MODEL C260

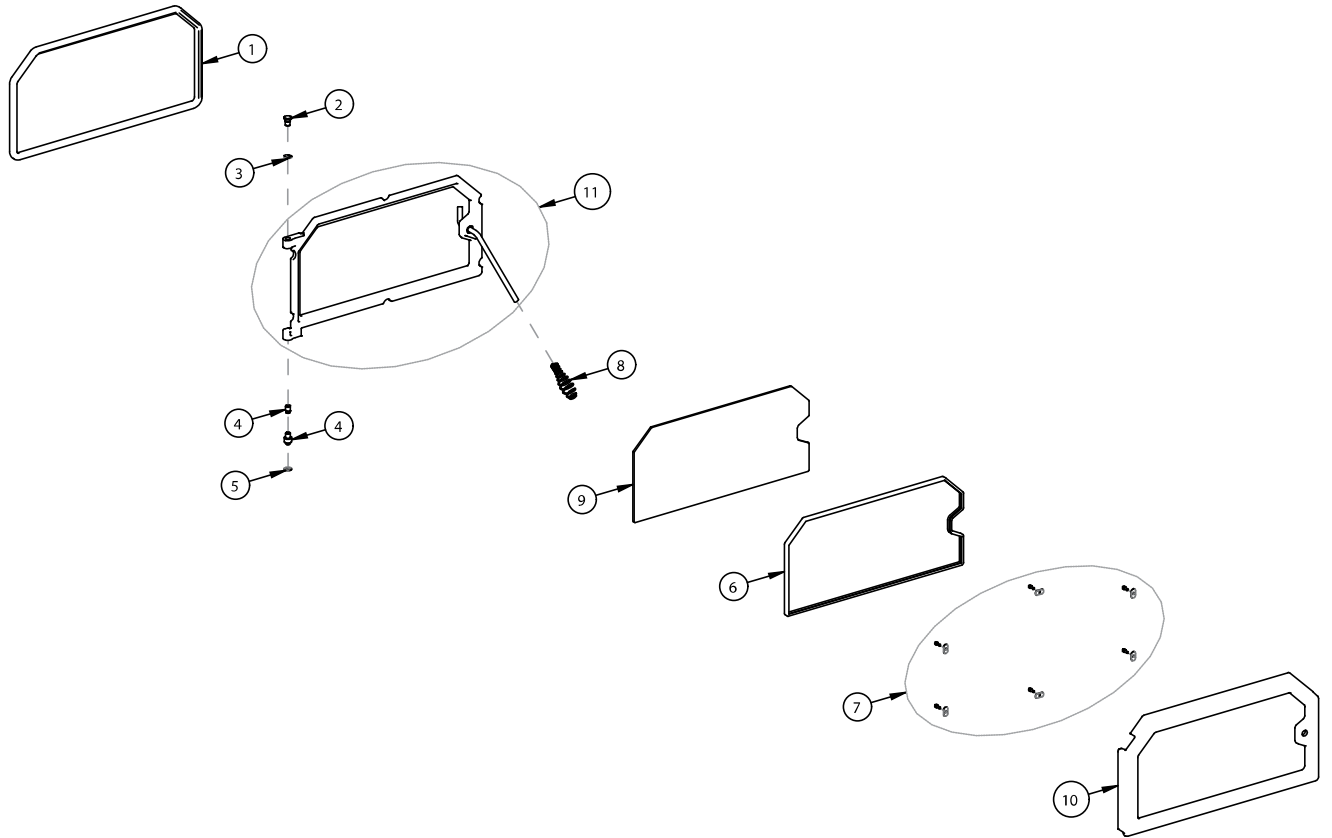


REPLACEMENT PARTS - MODEL E260

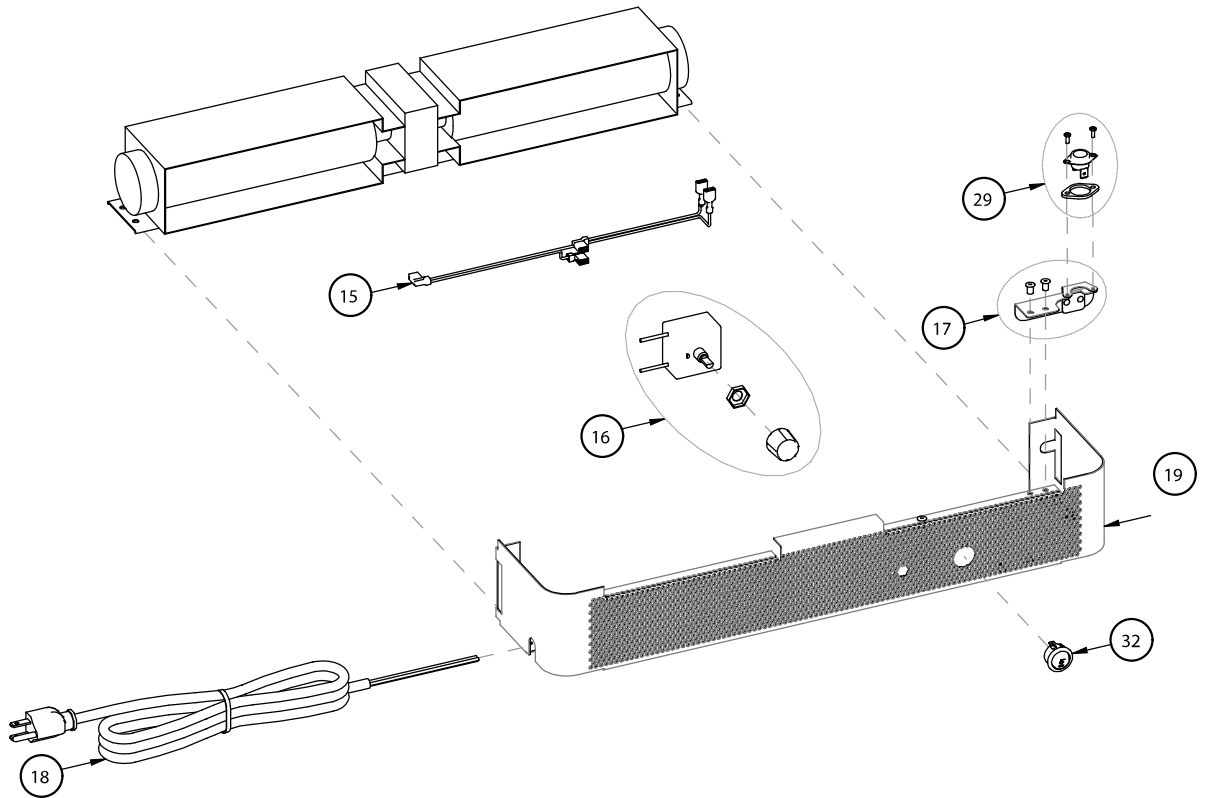


REPLACEMENT PARTS - MODEL C260 AND E260

Door Parts



Blower Parts



NOTE: DIAGRAMS & ILLUSTRATIONS ARE NOT TO SCALE.

ACCESSORIES - MODEL E260

Product Reference Information

Cat. No.	Description	Ship. Weight	Ship. Volume
H8053	E260T-ND, Insert / Nickel Diamond Glass / Diamond Mirror	529 lb.	27.08 cu. ft.
H8057	E260T-GD, Insert / Gold Diamond Glass / Diamond Mirror	547 lb.	27.45 cu. ft.

TOP SURROUND PANEL (REQUIRED)

Cat. No.	Model	Description
71015	WTF0748-B	7-1/2"H x 48"W Black (Total dimension when installed equals 29"x48")
71016	WTF1048-B	10-1/2"H x 48"W Black Oversized (Total dimension when installed equals 32"x48")

TRADITIONAL FACEPLATE KITS

71082	TRAD-FP-B-LG	Traditional, Black
71083	TRAD-FP-G-LG	Traditional, Gold
71084	TRAD-FP-N-LG	Traditional, Nickel
H5624	MIRROR-G	Frame for Mirror Gold (each)
H5623	MIRROR-N	Frame for Mirror Nickel (each)

SURROUND TRIM

71029	WFT-OUT-G	Trim / Outside Surround / Standard / Gold
71141	WOSFT-STN	Trim / Outside Surround / Standard / Nickel

BLOWER SIDES

71104	BLWRS-B	Blower Sides Black
71105	BLWRS-G	Blower Sides Gold
71106	BLWRS-N	Blower Sides Nickel

BLOWERS

H7912	WLINS-BLWR-B-SS	Blower Insert Black
H7913	WLINS-BLWR-G-SS	Blower Insert Gold
H7914	WLINS-BLWR-N-SS	Blower Insert Nickel
H7915	WLINS-BLWR-BN-SS	Blower Insert Brushed Nickel
H7916	WLINS-BLWR-BG-SS	Blower Insert Brushed Gold
MISC.		
71053	PAINT GOLD (1/2 PINT)	Paint Gold (1/2 pint)
71054	PAINT NICKEL (1/2 PINT)	Paint Nickel (1/2 pint)
H8159	TSPK-B	Touch-Up Paint , Metallic Black, 12 oz. Aerosol
71134	REDUCER 8-6"	Pipe Reducer from 8" to 6" Stainless
71162	WINS-8FC	8" Connector Ring Kit
71163	WINS-8/6REDCR	8" - 6" Connector Ring Kit w/Reducer
H6834	OFFADJFLUEBX8SM	Adjustable Offset Flue Box 8" flue / 6" exhaust, 0" - 6"
H6835	OFFADJFLUEBX8LG	Adjustable Offset Flue Box 8" flue / 6" exhaust, 6" - 12"

ACCESSORIES - MODEL C260

Product Reference Information			
Cat. No.	Description	Ship. Weight	Ship. Volume
H7893	C260T-B, Insert / Traditional Black Door/ Nickel Nameplate	479 lb.	17.40 cu. ft.

SURROUND PANELS / TOP AND SIDES (REQUIRED)		
Cat. No.	Model	Description
		29" x 40":
71038	WFPT0740-L	Top Surround 7-1/2" x 40"
71031	WFPS0621	Side Surrounds 6" x 21-5/8"
		29" x 48":
71039	WFPT0748-L	Top Surround 7-1/2" x 48"
71032	WFPS1021	Side Surrounds 10" x 21-5/8"
		33" x 40":
71040	WFPT1140-L	Top Surround 11-1/2" x 40"
71031	WFPS0621	Side Surrounds 6" x 21-5/8"
		33" x 48":
71041	WFPT1148-L	Top Surround 11-1/2" x 48"
71032	WFPS1021	Side Surrounds 10" x 21-5/8"
FACEPLATE KITS (INCLUDES FACEPLATE, HANDLE AND NAMEPLATE)		
71082	TRAD-FP-B-LG	Traditional, Black
71083	TRAD-FP-G-LG	Traditional, Gold
71084	TRAD-FP-N-LG	Traditional, Nickel
71149	TRAD-FP-BG-LG	Traditional, Brushed Gold
71146	TRAD-FP-BN-LG	Traditional, Brushed Nickel
SURROUND TRIM - THESE ARE NOT REQUIRED, BUT AN OPTION		
71023	WFT2940-B	Black 29" x 40"
71024	WFT2948-B	Black 29" x 48"
71027	WFT3340-B	Black 33" x 40"
71028	WFT3348-B	Black 33" x 48"
71009	WFT2940-G	Gold 29" x 40"
71010	WFT2948-G	Gold 29" x 48"
71013	WFT3340-G	Gold 33" x 40"
71014	WFT3348-G	Gold 33" x 48"
71076	WFT2940-N	Nickel 29" x 40"
71077	WFT2948-N	Nickel 29" x 48"
71080	WFT3340-N	Nickel 33" x 40"
71081	WFT3348-N	Nickel 33" x 48"

BLOWERS

Cat. No.	Model	Description
H7912	WLINS-BLWR-B-SS	Blower Insert Black
H7913	WLINS-BLWR-G-SS	Blower Insert Gold
H7914	WLINS-BLWR-N-SS	Blower Insert Nickel
H7915	WLINS-BLWR-BN-SS	Blower Insert Br-nkl
H7916	WLINS-BLWR-BG-SS	Blower Insert Br-gold
MISC.		
71053	Paint Gold (1/2 Pint)	Paint Gold (1/2 pint)
71054	Paint Nickel (1/2 Pint)	Paint Nickel (1/2 pint)
H8159	TSPK-B	Touch-Up Paint , Metallic Black, 12 oz. Aerosol
71134	Reducer 6-8"	Pipe Reducer from 8" to 6" Stain- less
H5296	FRNT-SPPT	Front Support 40"- 48" Width / 8"- 0" Height (ref. form #775305M)
71134	REDUCER 8-6"	Pipe Reducer from 8" to 6" Stain- less
71162	WINS-8FC	8" Connector Ring Kit
71163	WINS-8/6REDCR	8" - 6" Connector Ring Kit w/Re- ducer
H6834	OFFADJFLUEBX8SM	Adjustable Offset Flue Box 8" flue / 6" exhaust, 0" - 6"
H6835	OFFADJFLUEBX8LG	Adjustable Offset Flue Box 8" flue / 6" exhaust, 6" - 12"